

Exhibit 3



US00D811968S

(12) **United States Design Patent**
Milton et al.

(10) **Patent No.:** **US D811,968 S**

(45) **Date of Patent:** **** Mar. 6, 2018**

- (54) **WRAP WINDSHIELD**
- (71) Applicant: **Bluegentech LLC**, Salt Lake City, UT (US)
- (72) Inventors: **Trevor R. Milton**, Salt Lake City, UT (US); **Steve Jennes**, Fullerton, CA (US)
- (73) Assignee: **Nikola Corporation**, Salt Lake City, UT (US)
- (**) Term: **15 Years**
- (21) Appl. No.: **29/550,181**

D524,992 S *	7/2006	Belin	D29/122
D532,560 S *	11/2006	Fredriksson	D29/122
7,232,179 B1 *	6/2007	Racz	B62D 33/0612
			296/190.02
D571,838 S *	6/2008	Yee	D16/101
D626,890 S *	11/2010	Cantemir	D12/12
7,931,325 B2 *	4/2011	Robbins	B60J 11/08
			296/136.13
D719,879 S *	12/2014	Ito	D12/96
D726,378 S *	4/2015	Wako	D29/110
D730,584 S *	5/2015	Paulson	D29/110
D756,867 S *	5/2016	Wolff	D12/182
D763,750 S *	8/2016	Wheel	D12/181
D775,029 S *	12/2016	Frykholm	D12/182
D775,030 S *	12/2016	Frykholm	D12/182
2015/0272260 A1 *	10/2015	Ryan	A42B 3/226
			349/14

- (22) Filed: **Dec. 30, 2015**
- (51) **LOC (11) Cl.** **12-16**
- (52) **U.S. Cl.**
USPC **D12/182**
- (58) **Field of Classification Search**
USPC D12/190, 192, 196, 83, 181, 163, 164,
D12/169, 167, 171, 216, 86, 90, 91, 92;
D29/110; 2/12, 15, 427-454;
160/370.21; 296/84.1, 77.1, 146.15
CPC B62D 24/00; B62D 24/02; B62D 25/02;
B62D 25/18; B62D 25/08; B62D 35/00;
B60J 1/02; B60J 5/04; B60R 19/02;
B60R 19/04; A42B 3/00; A42B 3/04;
A42B 3/22; A42B 3/221; A42B 3/26
See application file for complete search history.

* cited by examiner

Primary Examiner — Daniel D Bui
Assistant Examiner — Andrew Kerr
 (74) *Attorney, Agent, or Firm* — Terrence J. Edwards;
 TechLaw Ventures, PLLC

(57) **CLAIM**

We claim the ornamental design for a wrap windshield, as shown and described.

DESCRIPTION

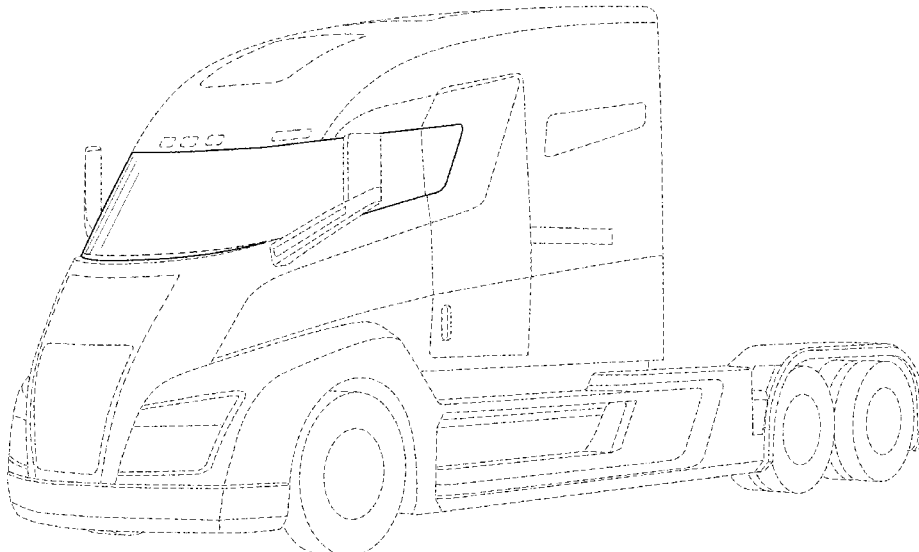
FIG. 1 is a front perspective view of a wrap windshield showing our new design;
 FIG. 2 is a top view thereof;
 FIG. 3 is a side view thereof;
 FIG. 4 is a side view of the other side thereof; and,
 FIG. 5 is a front view thereof.
 The broken lines in the drawing views represent unclaimed portions of the wrap windshield, which are included for the purpose of illustrating unclaimed environment only, and forms no part of the claimed design.

1 Claim, 5 Drawing Sheets

(56) **References Cited**

U.S. PATENT DOCUMENTS

D339,314 S *	9/1993	Moar	D12/96
D357,436 S *	4/1995	Moar	D12/96
D399,792 S *	10/1998	Hellhake	D12/96
D423,990 S *	5/2000	Meryman	D12/96
D453,130 S *	1/2002	Armstrong	D12/182
D465,749 S *	11/2002	Beigel	D12/96



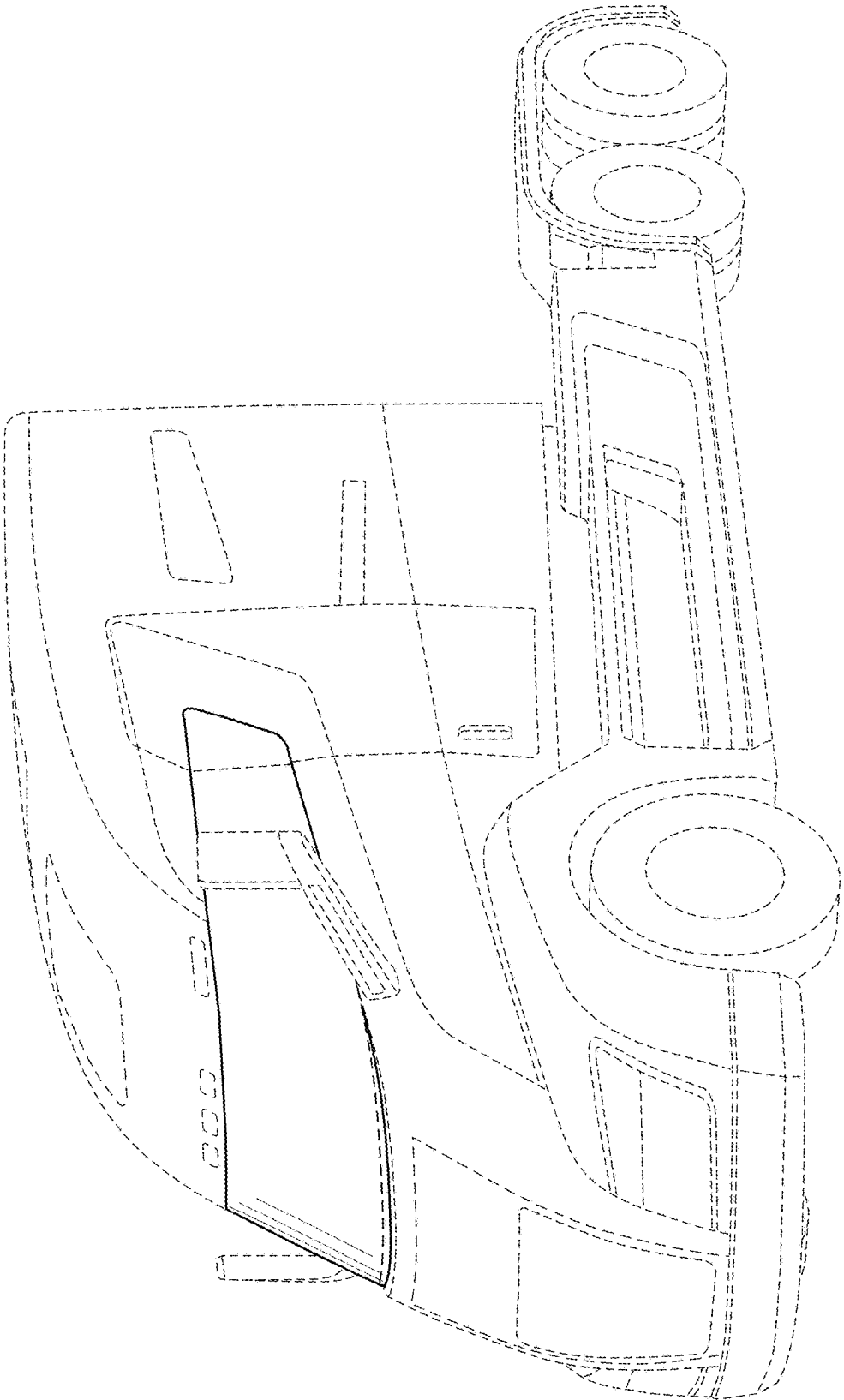


FIG. 1

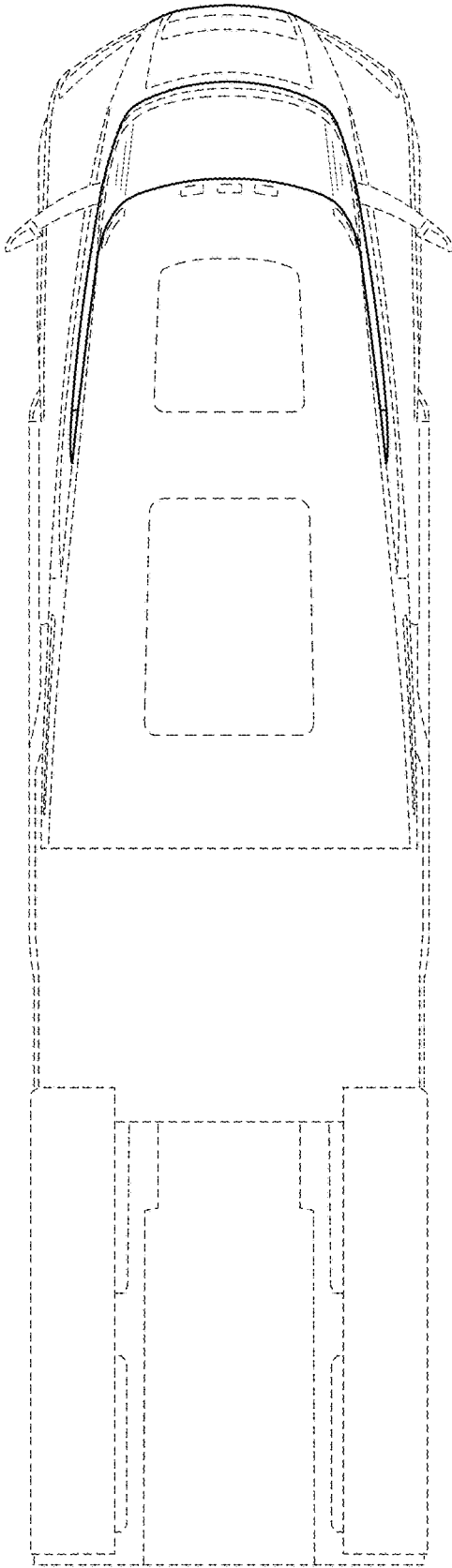


FIG. 2

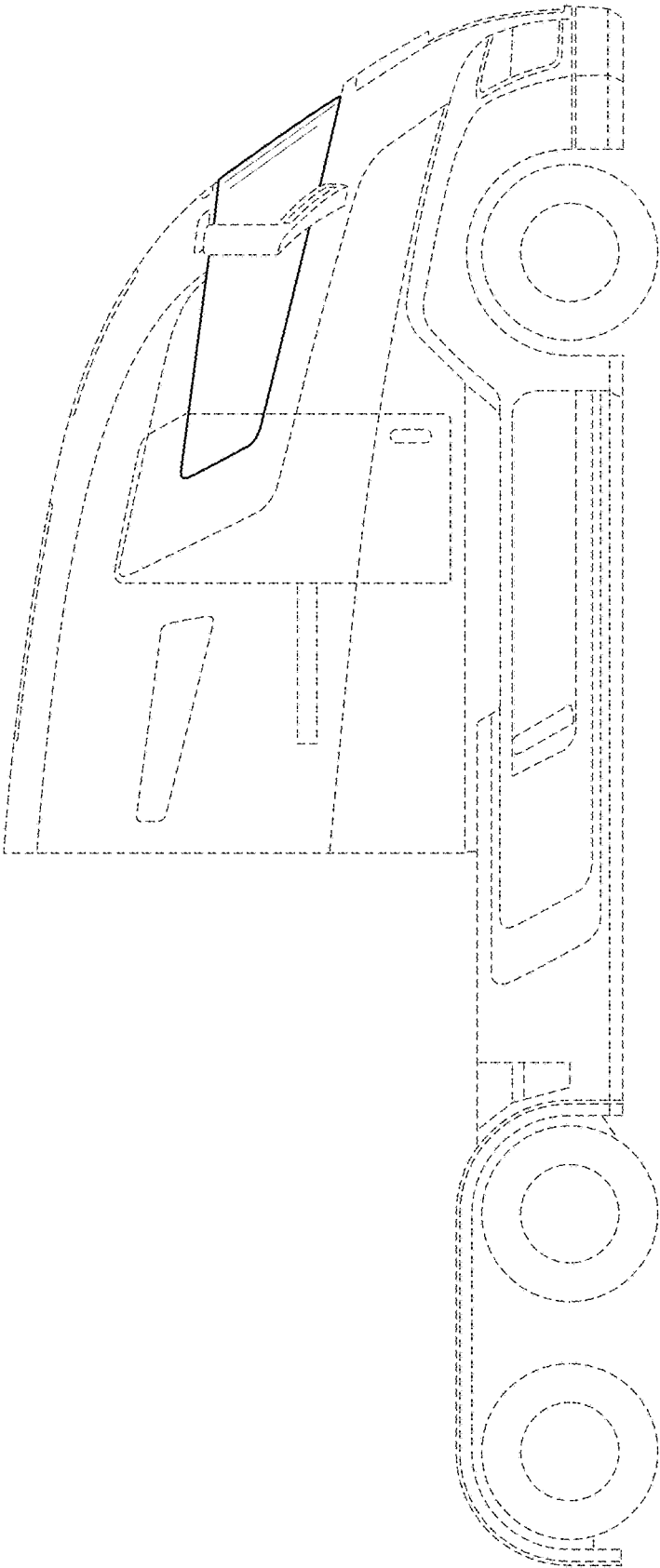


FIG. 3

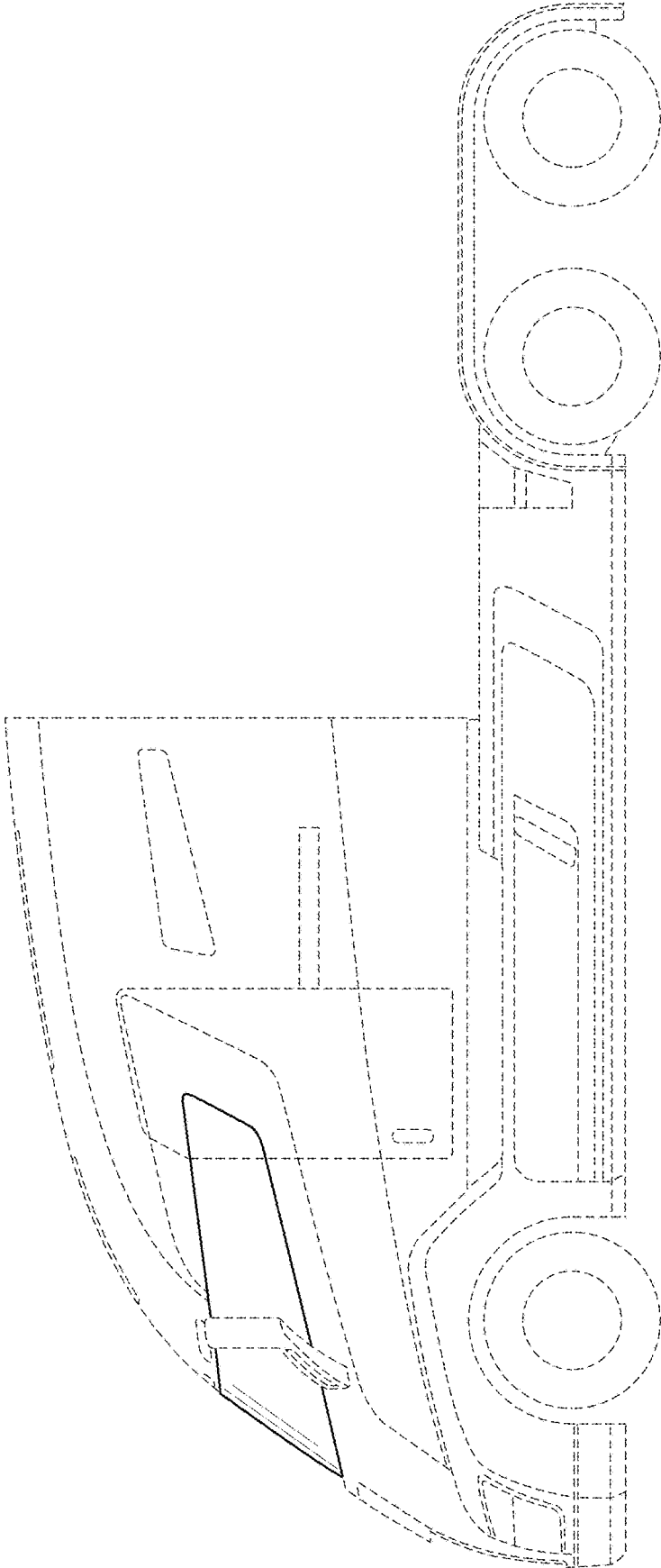


FIG. 4

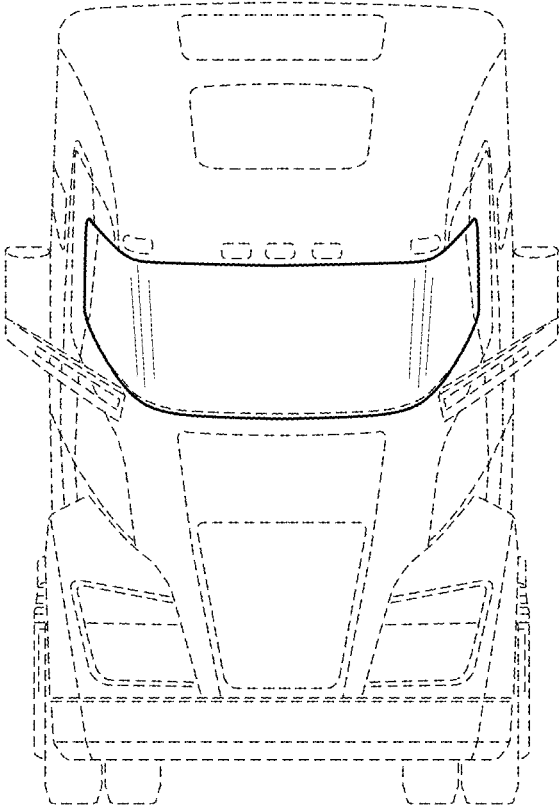


FIG. 5