

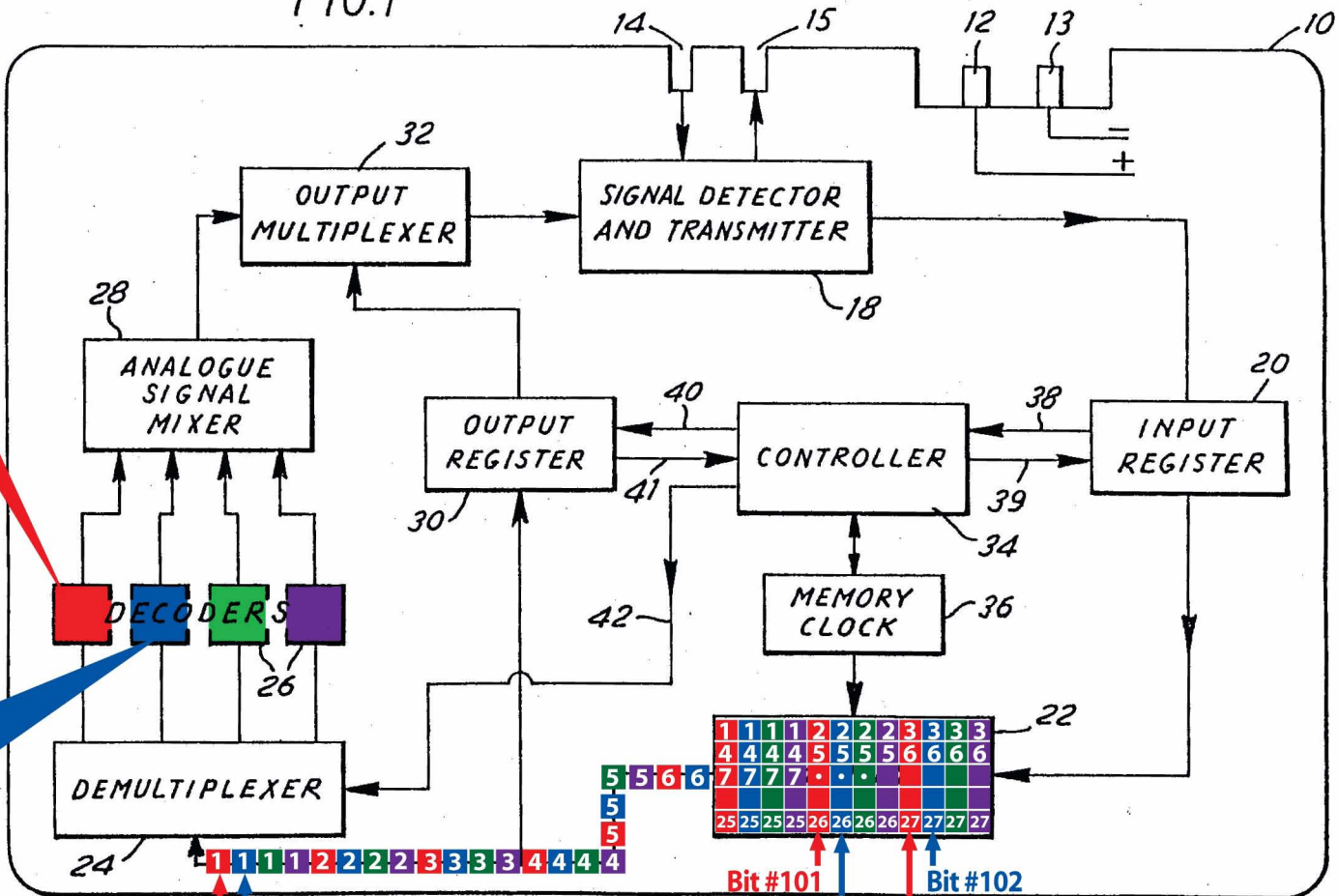
# APPENDIX A

FIG. 1

1st Read Cycle:      2nd Read Cycle:

Bit #1	1	Bit #2	2
Bit #101	26	Bit #102	27
Bit #201	51	Bit #202	52
Bit #301	76	Bit #302	77
Bit #401	101	Bit #402	102
⋮	⋮	⋮	⋮
⋮	⋮	⋮	⋮

Bit #1	1	Bit #2	2
Bit #101	26	Bit #102	27
Bit #201	51	Bit #202	52
Bit #301	76	Bit #302	77
Bit #401	101	Bit #402	102
⋮	⋮	⋮	⋮
⋮	⋮	⋮	⋮



Bit #1  
Bit #1

Bit #101      Bit #102  
Bit #101      Bit #102

