

selectively decompressing the stored time compressed representation of said audio/video source information;

editing the selectively decompressed time compressed representation of said audio/video source information; and

storing the edited selectively decompressed time compressed representation of said audio/video source information.

~~21~~ ⁴⁶. A method as in claim ~~20~~ further comprising the steps of:

selectively decompressing the stored time compressed representation of said audio/video source information;

editing the selectively decompressed time compressed representation of said audio/video source information;

recompressing the edited selectively decompressed time compressed representation of said audio/video source information; and

storing the recompressed edited selectively decompressed time compressed representation of said audio/video source information.

C²

~~22~~ ⁴⁷. A method as in claim ~~21~~ further comprising the steps of:

selectively decompressing the stored time compressed representation of said audio/video source information; and

visually displaying the selectively decompressed time compressed representation of said audio/video source information for viewing by a user.

~~23~~ ⁴⁸. A method as in claim ~~22~~ further comprising the steps of:

selectively decompressing the stored digital time compressed representation of said corresponding digital audio/video source information;

editing the selectively decompressed digital time compressed representation of said corresponding digital audio/video source information;

and

storing the edited selectively decompressed digital time compressed representation of said corresponding digital audio/video source information.

~~24~~ ⁴⁹. A method as in claim ~~23~~ further comprising the step of visually

displaying the selectively decompressed digital time compressed representation

of said corresponding digital audio/video source information for selective viewing by a user during editing.

²⁵~~50~~. A method as in claim ⁸~~33~~ further comprising the steps of:

(1) selectively decompressing the stored digital time compressed representation of said corresponding digital audio/video source information; and

(2) visually displaying the selectively decompressed digital time compressed representation of said corresponding digital audio/video source information for selective viewing by a user.

²⁶~~51~~. A method as in claim ⁹~~34~~ further comprising the steps of:

(1) selectively decompressing the stored digital time compressed representation of said digital audio/video source information;

(2) editing the selectively decompressed digital time compressed representation of said digital audio/video source information; and

(3) storing the edited selectively decompressed digital time compressed representation of said digital audio/video source information.

²⁷~~52~~. A method as in claim ²⁶~~51~~ further comprising the step of visually displaying the selectively decompressed digital time compressed representation of said digital audio/video source information for selective viewing by a user during editing.

²⁸~~53~~. A method as in claim ⁹~~34~~ further comprising the steps of:

(1) selectively decompressing the stored digital time compressed representation of said digital audio/video source information; and

(2) visually displaying the selectively decompressed digital time compressed representation of said digital audio/video source information for selective viewing by a user.

²⁹~~54~~. A method as in claim ⁸~~33~~ wherein said analog audio/video source information is received from a video tape recorder.

³⁰~~55~~. A method for handling audio/video source information, the method comprising:

11 providing a network that includes a plurality of audio/video transceivers, coupled via one or more communication links;

12 receiving audio/video source information at one or more of said plurality of audio/video transceivers;

13 compressing said received audio/video source information into a time compressed representation thereof having an associated burst time period that is shorter than a time period associated with a real time representation of said received audio/video source information;

14 storing the time compressed representation of the received audio/video source information; and

15 transmitting, in said burst time period, the stored time compressed representation of the received audio/video source information to one or more of said plurality of audio/video transceivers.

C 2

31 ~~56~~. A method as in claim ³⁰ 55 wherein said audio/video source information is received over one or more optical transmission channels and the stored time compressed representation of the received audio/video source information is transmitted over one or more optical transmission channels.

32 ~~57~~. A method as in claim ³⁰ 55 wherein the stored time compressed representation of the received audio/video source information is transmitted over one or more telephone transmission channels.

33 ~~58~~. A method as in claim ³⁰ 55 wherein the time compressed representation of the received audio/video source information is stored in an optical disk memory.

34 ~~59~~. A method as in claim ³⁰ 55 wherein the time compressed representation of the received audio/video source information is stored in a semiconductor memory.

35 ~~60~~. A method as in claim ³⁰ 55 wherein one of said plurality of audio/video transceivers stores a library containing a multiplicity of programs of audio/video source information as time compressed representations thereof for selective transmission, in an associated burst time period, to one

or more of the remaining plurality of audio/video transceivers.

~~36~~³⁰~~61~~. A method as in claim ~~55~~³⁰ further comprising the step of recording the stored time compressed representation of said audio/video source information onto a removable recording medium.

~~37~~³⁰~~62~~. A method as in claim ~~55~~³⁰ further comprising the steps of:
(i) decompressing the stored time compressed representation of said audio/video source information; and
(ii) recording the decompressed time compressed representation of said audio/video source information onto a removable storage medium.

~~38~~³⁶~~63~~. A method as in claim ~~61~~³⁶ wherein the stored time compressed representation of said audio/video source information is recorded onto a magnetic tape within a video tape recorder.

C 2

~~39~~³⁷~~64~~. A method as in claim ~~62~~³⁷ wherein the stored time compressed representation of said audio/video source information is recorded onto a magnetic tape within a video tape recorder.

~~40~~³⁶~~65~~. A method as in claim ~~61~~³⁶ wherein the stored time compressed representation of said audio/video source information is recorded onto one or more write-once read-many (WORM) optical disks within an optical disk drive.

~~41~~³⁷~~66~~. A method as in claim ~~62~~³⁷ wherein the stored time compressed representation of said audio/video source information is recorded onto one or more write-once read-many (WORM) optical disks within an optical disk drive.

~~42~~³⁶~~67~~. A method as in claim ~~61~~³⁶ wherein the stored time compressed representation of said audio/video source information is recorded onto one or more erasable optical disks within an optical disk drive.

~~43~~³⁷~~68~~. A method as in claim ~~62~~³⁷ wherein the stored time compressed representation of said audio/video source information is recorded onto one or more erasable optical disks within an optical disk drive.

~~44~~¹~~69~~. A method as in claim ~~28~~¹ further comprising the step of recording the stored time compressed representation of said audio/video source information onto a removable recording medium.

⁴⁵
~~70.~~ A method as in claim ~~27~~² further comprising the step of recording the edited time compressed representation of said audio/video source information onto a removable recording medium.

⁴⁶
~~71.~~ A method as in claim ~~70~~⁴⁵ further comprising the step of visually displaying the time compressed representation of said audio/video source information stored on said removable recording medium for selective viewing by a user.

⁴⁷
~~72.~~ A method as in claim ~~42~~¹⁷ further comprising the step of recording the time compressed representation of said audio/video source information onto a removable recording medium.

⁴⁸
~~73.~~ A method as in claim ~~45~~²⁰ further comprising the step of recording the edited decompressed time compressed representation of said audio/video source information onto a removable recording medium.

⁴⁹
~~74.~~ A method as in claim ~~28~~¹ further comprising the steps of:
/ selectively decompressing the stored time compressed representation of said audio/video source information; and
/ recording the selectively decompressed time compressed representation of said audio/video source information onto a removable recording medium.

⁵⁰
~~75.~~ A method as in claim ~~47~~²² further comprising the steps of:
/ recording the selectively decompressed time compressed representation of said audio/video source information onto a removable recording medium; and
/ visually displaying the selectively decompressed time compressed representation of said audio/video source information for viewing by a user.

⁵¹
~~76.~~ A method as in claim ~~34~~⁹ wherein said digital audio/video source information is received from a CD-ROM.

⁵²
~~77.~~ A method as in claim ~~34~~⁹ wherein said digital audio/video source information is received from an erasable optical disk.

⁵³
~~78.~~ A method as in claim ~~42~~¹⁷ wherein said audio/video source information comprises information received from a television RF tuner.

⁵⁴
~~79.~~ A method as in claim ~~28~~¹ further comprising the step of recording

the stored time compressed representation of said audio/video source information onto a magnetic recording medium.

⁵⁵~~80~~. A method as in claim ²~~27~~ further comprising the step of recording the stored edited time compressed representation of said audio/video source information onto a magnetic recording medium.

⁵⁶~~81~~. A method as in claim ¹⁷~~42~~ further comprising the step of recording the stored time compressed representation of said audio/video source information onto a magnetic recording medium.

⁵⁷~~82~~. A method as in claim ²⁰~~45~~ further comprising the step of recording the edited decompressed time compressed representation of said audio/video source information onto a magnetic recording medium.

⁵⁸~~83~~. A method as in claim ¹~~26~~ further comprising the steps of:
C 2 1. selectively decompressing the stored time compressed representation of said audio/video source information; and
 2. recording the selectively decompressed stored time compressed representation of said audio/video source information onto a magnetic storage medium.

⁵⁹~~84~~. A method as in claim ²²~~47~~ further comprising the step of recording the selectively decompressed time compressed representation of said audio/video source information onto a magnetic recording medium.

⁶⁰~~85~~. A method for handling analog and/or digital audio/video source information, the method comprising the steps of:

- 1. receiving analog and/or digital audio/video source information;
- 2. converting received analog audio/video source information to corresponding digital audio/video source information;
- 3. converting received digital audio/video source information to corresponding analog audio/video source information;
- 4. compressing said received digital or converted corresponding digital audio/video source information into a time compressed representation thereof having an associated burst time period that is shorter than a time period

associated with a real time representation of said received digital or converted corresponding digital audio/video source information;

storing said time compressed representation;

decompressing said time compressed representation into a real time representation of said received digital or converted corresponding digital audio/video source information;

storing said real time representation; and

transmitting said time compressed representation to a selected destination.

D

⁶⁰
~~66~~ A method as in claim ~~85~~ further comprising the step of supplying timing information for association with ~~said~~ said time compressed representation.

C 2

⁶⁰
~~67~~ A method as in claim ~~85~~ further comprising the step of recording said received analog or corresponding analog audio/video source information onto a recording medium.

⁶⁰
~~68~~ A method as in claim ~~85~~ further comprising the step of recording said received digital or corresponding digital audio/video source information onto a recording medium.

⁶²
~~69~~ A method as in claim ~~87~~ wherein said received analog or corresponding analog audio/video source information is recorded onto a magnetic tape recording medium.

⁶³
~~65~~ A method as in claim ~~88~~ wherein said received digital or corresponding digital audio/video source information is recorded onto a magnetic tape recording medium.

⁶³
~~69~~ A method as in claim ~~88~~ wherein said received digital or corresponding digital audio/video source information is recorded onto a CD-ROM.

⁶³
~~67~~ A method as in claim ~~88~~ wherein said received digital or corresponding digital audio/video source information is recorded onto a WORM optical disk.

⁶⁸
~~93.~~ A method as in claim ~~88~~⁶³ wherein said received digital or corresponding digital audio/video source information is recorded onto an erasable optical disk.

⁶⁹
~~94.~~ A method as in claim ~~85~~⁶⁰ wherein said received analog and/or digital audio/video source information is received from an audio/video recording and playback apparatus.

⁷⁰
~~95.~~ A method as in claim ~~85~~⁶⁰ wherein said digital audio/video source information is received over a high speed bus.

⁷¹
~~96.~~ A method as in claim ~~85~~⁶⁰ wherein said digital audio/video source information is received over an optical bus.

⁷²
~~97.~~ A method as in claim ~~85~~⁶⁰ further comprising the step of selectively editing the received analog and/or digital audio/video source information.

⁷³
~~98.~~ A method for handling audio/video source information, the method comprising:

- 1) receiving audio/video source information comprising a multiplicity of video frames in the form of one or more full motion video programs;
- 2) compressing said received audio/video source information into a time compressed representation thereof having an associated burst time period that is shorter than a time period associated with a real time representation of said received audio/video source information;
- 3) storing the time compressed representation of said received audio/video source information; and
- 4) transmitting, over a microwave channel, in said burst time period, the stored time compressed representation of said received audio/video source information to a selected destination.

⁷⁴
~~99.~~ A method for handling audio/video source information, the method comprising:

- 1) receiving audio/video source information comprising a multiplicity of video frames in the form of one or more full motion video programs;
- 2) compressing said received audio/video source information into a time

C²

compressed representation thereof having an associated burst time period that is shorter than a time period associated with a real time representation of said received audio/video source information;

storing the time compressed representation of said received audio/video source information in a bubble memory; and

transmitting, in said burst time period, the stored time compressed representation of said received audio/video source information to a selected destination.

⁷⁵
~~100~~. A method for handling audio/video source information, the method comprising:

receiving audio/video source information comprising a multiplicity of video frames in the form of one or more full motion video programs;

compressing said received audio/video source information into a time compressed representation thereof having an associated burst time period that is shorter than a time period associated with a real time representation of said received audio/video source information;

storing the time compressed representation of said received audio/video source information in a digital paper memory; and

transmitting, in said burst time period, the stored time compressed representation of said received audio/video source information to a selected destination.

⁷⁶
~~101~~. A method for handling audio/video source information, the method comprising:

receiving audio/video source information comprising a multiplicity of video frames in the form of one or more full motion video programs;

compressing said received audio/video source information into a time compressed representation thereof having an associated burst time period that is shorter than a time period associated with a real time representation of said received audio/video source information;

storing the time compressed representation of said received audio/video

source information on one or more magnetic disks; and
; transmitting, in said burst time period, the stored time compressed
representation of said received audio/video source information to a selected
destination.

⁷⁷
~~102~~. A method for handling audio/video source information, the method
comprising:

C²
receiving audio/video source information as a time compressed digital
representation thereof, said audio/video source information comprising a
multiplicity of video frames in the form of one or more full motion video
programs selected from a video library storing a multiplicity of full motion
video programs in a time compressed digital representation thereof for
selective retrieval, said time compressed digital representation of the
received audio/video source information being received in an associated burst
time period that is shorter than a time period associated with a real time
representation of said received audio/video source information;

storing the time compressed digital representation of said received
audio/video source information; and

transmitting, in said burst time period, the stored time compressed
digital representation of said received audio/video source information to a
selected destination.

Remarks

On November 12, 1991, shortly after receiving the filing receipt in the present Rule 60 divisional patent application, applicant's undersigned attorney telephoned SPE Roy Envall to advise him that he planned to file a Supplemental Preliminary Amendment to add a number of claims to the single claim in the application as filed on October 11, 1991. Examiner Envall indicated that the application had just come into the Group and that applicant's attorney would have at least until January 1, 1992, within which to file his proposed Supplemental Preliminary Amendment. Following that telephone conversation, applicant's attorney began work on the proposed Supplemental Preliminary Amendment, which he planned to file in late December. As applicant's attorney was finalizing the proposed Supplemental Preliminary Amendment with his client preparatory to filing it in the PTO, he was surprised to receive a Notice of Allowance and Issue Fee Due on December 23, 1991, that had been mailed from the PTO on December 17, 1991. On December 23, 1991, immediately following receipt of the Notice of Allowance, applicant's attorney placed a telephone call to Examiner Envall and was informed that Examiner Envall was away from his office for the Christmas holidays. On December 30, 1991, Examiner Envall returned applicant's attorney's call. During that telephone conference, Examiner Envall indicated that he would withdraw the application from Issue to permit entry and action on the within Supplemental Preliminary Amendment. After returning to his office on January 6, 1992, following his absence over the New Year's holiday, applicant's attorney proceeded diligently to finalize the within Supplemental Preliminary Amendment. It is therefore respectfully requested that, as indicated by Examiner Envall, the application be withdrawn from Issue and that the present Supplemental Preliminary Amendment be entered for action.

In the present Supplemental Preliminary Amendment, the title of the application has been amended to direct it more specifically to the claimed subject matter. Further, previous claim 26 has been amended to improve its

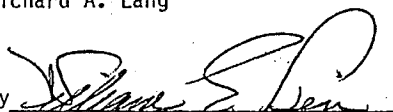
clarity, and new claims 27-102 have been added to provide the scope of claims coverage to which applicant believes he is entitled. New claims 27-102, like previous claim 26, are all method claims, of which only claims 42, 55, 85, and 98-102 are in independent form. Each one of the new independent method claims 42, 55, 85, and 98-102, presented herewith, like previously allowed claim 26, positively recites the step of storing the time compressed representation of the received audio/video source information, indicated by Examiner H. Nguyen in his Statement of Reasons for Allowance in the previously issued Notice of Allowability, as representing a distinction over the prior art of record.

For the reasons set forth above, it is believed that all of applicant's method claims 26-102, presented herewith, are allowable over the prior art of record. Favorable action by way of withdrawal of this application from Issue, entry of the present Supplemental Preliminary Amendment, and allowance of claims 26-102 is accordingly earnestly solicited.

Respectfully submitted,

Richard A. Lang

By



William E. Hein
Patent Attorney #26,465

January 16, 1992
(303) 667-6741
Loveland, Colorado

FORM PTO-1083

Case Docket No. 249280

RECEIVED
GRAND JURY
249280

1992 JAN 17 PM 3:10

In re application of Richard A. Lang
Serial No. 07/775,182

Filed: October 11, 1992

For: AUDIO/VIDEO RECORDER/TRANSCEIVER

THE COMMISSIONER OF PATENTS AND TRADEMARKS
Washington, D.C. 20231

Sir:

Transmitted herewith is an amendment in the above-identified application.

Small entity status of this application under 37 CFR 1.9 and 1.27 has been established by a verified statement previously submitted.

A verified statement to establish small entity status under 37 CFR 1.9 and 1.27 is enclosed.

No additional fee is required.

The fee has been calculated as shown below:

(Col. 1)		(Col. 2)		(Col. 3)	SMALL ENTITY		OTHER THAN A SMALL ENTITY		
	CLAIMS REMAINING AFTER AMENDMENT		HIGHEST NO. PREVIOUSLY PAID FOR	PRESENT EXTRA	RATE	ADDIT. FEE	OR	RATE	ADDIT. FEE
TOTAL	* 77	MINUS	** 20	= 57	x10 x =	\$570		x10=	\$
INDEP.	* 9	MINUS	*** 3	= 6	x36 x =	\$216		x30=	\$
<input type="checkbox"/> FIRST PRESENTATION OF MULTIPLE DEP. CLAIM					+50=	\$		+100=	\$
					TOTAL	\$786	OR	TOTAL	\$
					ADDIT. FEE				

*If the entry in Col. 1 is less than the entry in Col. 2, write "0" in Col. 3.

**If the "Highest Number Previously Paid For" IN THIS SPACE is less than 20, write "20" in this space.

***If the "Highest Number Previously Paid For" IN THIS SPACE is less than 3, write "3" in this space.

The "Highest Number Previously Paid For" (Total or Independent) is the highest number found from the equivalent box in Col. 1 of a prior amendment or the number of claims originally filed.

Please charge my Deposit Account No. _____ in the amount of \$_____. A duplicate copy of this sheet is attached.

A check in the amount of \$ 786.00 is attached.

The Commissioner is hereby authorized to charge payment of the following fees associated with this communication or credit any overpayment to Deposit Account No. _____. A duplicate copy of this sheet is attached.

Any filing fees under 37 CFR 1.16 for the presentation of extra claims.

Any patent application processing fees under 37 CFR 1.17.

Respectfully submitted,

Richard A. Lang
Serial #76,465

RECEIVED
GROUP 280

1992 JAN 17 PM 3:15

Dear Sir:

Please acknowledge receipt of the document(s) described below by imprinting the Patent Office "Date Stamp" hereon and returning to the addressee indicated on the reverse.

*23E
12/29/91
09
Huy NGUYEN*

U.S. Patent Application Serial No. 07/775,182 entitled
AUDIO/VIDEO RECORDER/TRANSCIVER filed on October 11,
1991 (Richard A. Lang).

SUPPLEMENTAL PRELIMINARY AMENDMENT; ATTORNEY'S CHECK IN THE
AMOUNT OF \$786.00 IN PAYMENT OF THE ADDITIONAL FEE FOR
ADDED CLAIMS

CASE: 249

#6

RECEIVED
GROUP 230

1992 JAN 22 PM 3:15

RECEIVED
GROUP 230

1992 JAN 22 PM 3:15

IN THE
UNITED STATES PATENT AND TRADEMARK OFFICE
ART UNIT 2305
Examiner H. Nguyen

Richard A. Lang

CASE 249

SERIAL NO. 07/775,182

FILED October 11, 1991

SUBJECT AUDIO/VIDEO RECORDER/TRANSCIVER

THE COMMISSIONER OF PATENTS AND TRADEMARKS
WASHINGTON, D.C. 20231

SIR:

INFORMATION DISCLOSURE STATEMENT

Pursuant to the provisions of 37 CFR 1.56, 1.97, and 1.98, applicant submits herewith copies of twenty-one prior art references, some of which were cited in the parent and grandparent applications and the remainder of which have otherwise come to applicant's attention, together with two sheets of Form PTO-1449 on which the twenty-one references are cited. A concise explanation of the relevance of each of these cited references follows:

U.S. Patent No. 4,179,709 to Workman describes an apparatus and method for transmitting a digital image over a limited bandwidth communications channel in which a block transformation technique involving transform coefficients is employed;

U.S. Patent No. 4,274,133 to Southworth et al. describes a slow-scan television system;

U.S. Patent No. 4,446,490 to Hoshimi et al. describes a pulse code modulation (PCM) signal processor.

U.S. Patent No. 4,506,387 to Walter describes a programming-on-demand

cable television system in which a video program is divided into a number of segments and stored in a segmented memory in compressed digital form, the stored video segments then being converted from electrical data to optical data and simultaneously transmitted over a plurality of parallel fiber optic lines to a data receiving station, which then reconverts the optical data back to the original electrical data;

U.S. Patent No. 4,511,934 to Ohira et al. describes a video tape recorder having a rotary magnetic head drum.

U.S. Patent No. 4,516,516 to Fabris et al. describes a video teleconferencing system in which teleconferencing cameras are remotely controlled by participants of the teleconference.

U.S. Patent No. 4,563,710 to Baldwin describes a multiple head helical scanning device for television tape recording in which the multiple heads are disposed on a rotatable headwheel.

U.S. Patent No. 4,625,080 to Scott describes a telephone-based programming system for a remotely located video cassette recorder.

U.S. Patent No. 4,654,484 to Reiffel et al. describes a method for compressing single-frame video images for slow-scan television.

U.S. Patent No. 4,698,664 to Nichols et al. describes a multiple-screen editing system that permits quicker editing of recorded information.

U.S. Patent No. 4,709,418 to Fox et al. describes an interactive wideband cable network.

U.S. Patent No. 4,724,491 to Lambert describes a system for automatically inserting television advertising spots in video programs.

U.S. Patent No. 4,736,239 to Sprague et al. describes a compression/storage method for video RAM storage of a limited number of frames of video information.

U.S. Patent No. 4,743,959 to Frederiksen describes a video acquisition and compression system that prepares video information for transmission at real-time rates.

U.S. Patent No. 4,750,034 to Lem describes an apparatus for monitoring the replay of audio/video information carriers.

U.S. Patent No. 4,768,110 to Dunlap et al. describes a dual-deck video cassette recorder.

U.S. Patent No. 4,774,574 to Daly et al. describes a block transformation method for transmitting a digital image over a limited bandwidth communication channel.

U.S. Patent No. 4,821,208 to Ryan et al. describes a display processor for computer-generated displays.

U.S. Patent No. 4,851,931 to Parker et al. describes an apparatus and method for rapidly creating a custom tape of musical pieces selected from a music library.

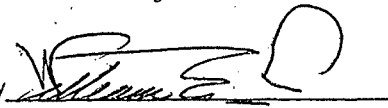
U.S. Patent No. 4,868,653 to Golin et al. describes a method and apparatus for compression of video information to make it suitable for recording and transmission using relatively narrow band media.

U.S. Patent No. 4,918,523 to Simon et al. describes a digital video formatting and transmission system and method.

Respectfully submitted,

Richard A. Lang

By



William E. Hein
Patent Attorney #26,465

January 20, 1992
(303) 667-6741
Loveland, Colorado

Sheet 1 of 2

LIST OF PATENTS, PUBLICATIONS, AND OTHER INFORMATION DISCLOSED BY APPLICANT (Use several sheets if necessary)	ATTY. DOCKET NO. 249	SERIAL NO. 107,775,182 107,775,182
	APPLICANT Richard A. Lang 1992	GROUP 2 PH 3:15
	FILING DATE October 11, 1991	2305

U.S. PATENT DOCUMENTS

*EXAMINER INITIAL		DOCUMENT NUMBER	DATE	NAME	CLASS	SUBCLASS	FILING DATE IF APPROPRIATE	
							YES	NO
<i>HW</i>	AA	4 1 7 9 7 0 9	7/1979	Workman	353	133		
<i>HW</i>	AB	4 4 0 0 7 1 7	5/1983	Southworth et al.	358	13		
<i>HW</i>	AC	4 5 0 6 3 8 7	7/1985	Walter	455	612		
<i>HW</i>	AD	4 5 1 1 9 3 4	3/1985	Ohira et al.	360	55		
<i>HW</i>	AE	4 5 1 6 1 5 6	4/1985	Fabris et al.	358	85		
<i>HW</i>	AF	4 5 6 3 7 1 0	7/1986	Baldwin	360	9.1		
<i>HW</i>	AG	4 6 2 5 0 8 0	4/1986	Scott	379	104		
<i>HW</i>	AH	4 6 5 4 4 8 4	7/1987	Reiffel et al.	379	53		
<i>HW</i>	AI	4 6 9 8 6 6 4	5/1987	Nichols et al.	358	10		
<i>HW</i>	AJ	4 7 0 9 4 1 8	7/1987	Fox et al.	455	612		
<i>HW</i>	AK	4 7 2 4 4 9 1	1988	Lambert	358	310		

FOREIGN PATENT DOCUMENTS

	DOCUMENT NUMBER	DATE	COUNTRY	CLASS	SUBCLASS	TRANSLATION	
						YES	NO
AL							
AM							
AN							
AO							
AP							

OTHER DOCUMENTS (Including Author, Title, Date, Pertinent Pages, Etc.)

	AR	
	AS	
	AT	

EXAMINER <i>Huy Nguyen</i>	DATE CONSIDERED <i>3/4/92</i>
-------------------------------	----------------------------------

*EXAMINER: Initial if reference considered, whether or not citation is in conformance with MPEP 609; Draw line through citation if not in conformance and not considered. Include copy of this form with next communication to applicant.

Sheet 2 of 2

LIST OF PATENTS, PUBLICATIONS, AND OTHER INFORMATION DISCLOSED BY APPLICANT (Use several sheets if necessary)				ATTY. DOCKET NO. 249		SERIAL NO. 07/775,182 GROUP 230								
				APPLICANT Richard A. Langg				FILING DATE October 11, 1991		GROUP 2305				
				U.S. PATENT DOCUMENTS										
*EXAMINER INITIAL		DOCUMENT NUMBER							DATE	NAME	CLASS	SUBCLASS	FILING DATE IF APPROPRIATE	
													YES	NO
<i>HW</i>	AA	4	7	3	6	2	3	9	7/1988	Sprague et al.	358	21R		
<i>HW</i>	AB	4	7	4	3	9	5	9	9/1988	Frederiksen	358	11		
<i>HW</i>	AC	4	7	5	0	0	3	4	9/1988	Lem	358	84		
<i>HW</i>	AD	4	7	6	8	1	1	0	1988	Dunlap et al.	360	33.1		
<i>HW</i>	AE	4	7	7	4	5	7	4	1988	Daly et al.	358	133		
<i>HW</i>	AF	4	8	2	1	2	0	8	4/1989	Ryan et al.	364	518	10/1986	
<i>HW</i>	AG	4	8	5	1	9	3	1	7/1989	Parker et al.	360	15	2/1987	
<i>HW</i>	AH	4	8	6	8	6	5	3	9/1989	Golin et al.	358	133	10/1987	
<i>HW</i>	AI	4	9	1	8	5	2	3	4/1990	Simon et al.	358	133	10/1987	
<i>HW</i>	AJ	4	4	4	6	4	9	0	7/1984	Hoshimi et al.	360	32		
	AK													
FOREIGN PATENT DOCUMENTS														
		DOCUMENT NUMBER							DATE	COUNTRY	CLASS	SUBCLASS	TRANSLATION	
													YES	NO
	AL													
	AM													
	AN													
	AO													
	AP													
OTHER DOCUMENTS (Including Author, Title, Date, Pertinent Pages, Etc.)														
	AR													
	AS													
	AT													
EXAMINER <i>Huy Nguyen</i>										DATE CONSIDERED 3/4/92				
*EXAMINER: Initial if reference considered, whether or not citation is in conformance with MPEP 609; Draw line through citation if not in conformance and not considered. Include copy of this form with next communication to applicant.														

23E 12-10-91 #7

RECEIVED
GROUP 230
1992 JAN 22 PM 3:15

092

RECEIVED
GROUP 230
1992 JAN 22 PM 3:15

IN THE

UNITED STATES PATENT AND TRADEMARK OFFICE

ART UNIT 2305

Examiner H. Nguyen

Richard A. Lang
CASE 249
SERIAL NO. 07/775,182
FILED October 11, 1991
SUBJECT AUDIO/VIDEO RECORDER/TRANSCIEVER

THE COMMISSIONER OF PATENTS AND TRADEMARKS
WASHINGTON, D.C. 20231

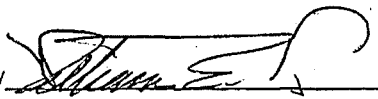
SIR:

LETTER TO THE OFFICIAL DRAFTSMAN

Subject to the approval of the Examiner, please amend Figure 2 of the drawings in the above-identified patent application to correct an error in spelling, as indicated in red on the attached copy of that drawing figure.

Respectfully submitted,

Richard A. Lang

By 

William E. Hein
Patent Attorney #26,465

January 20, 1992
(303) 667-6741
Loveland, Colorado

Approved by W 3/4/92

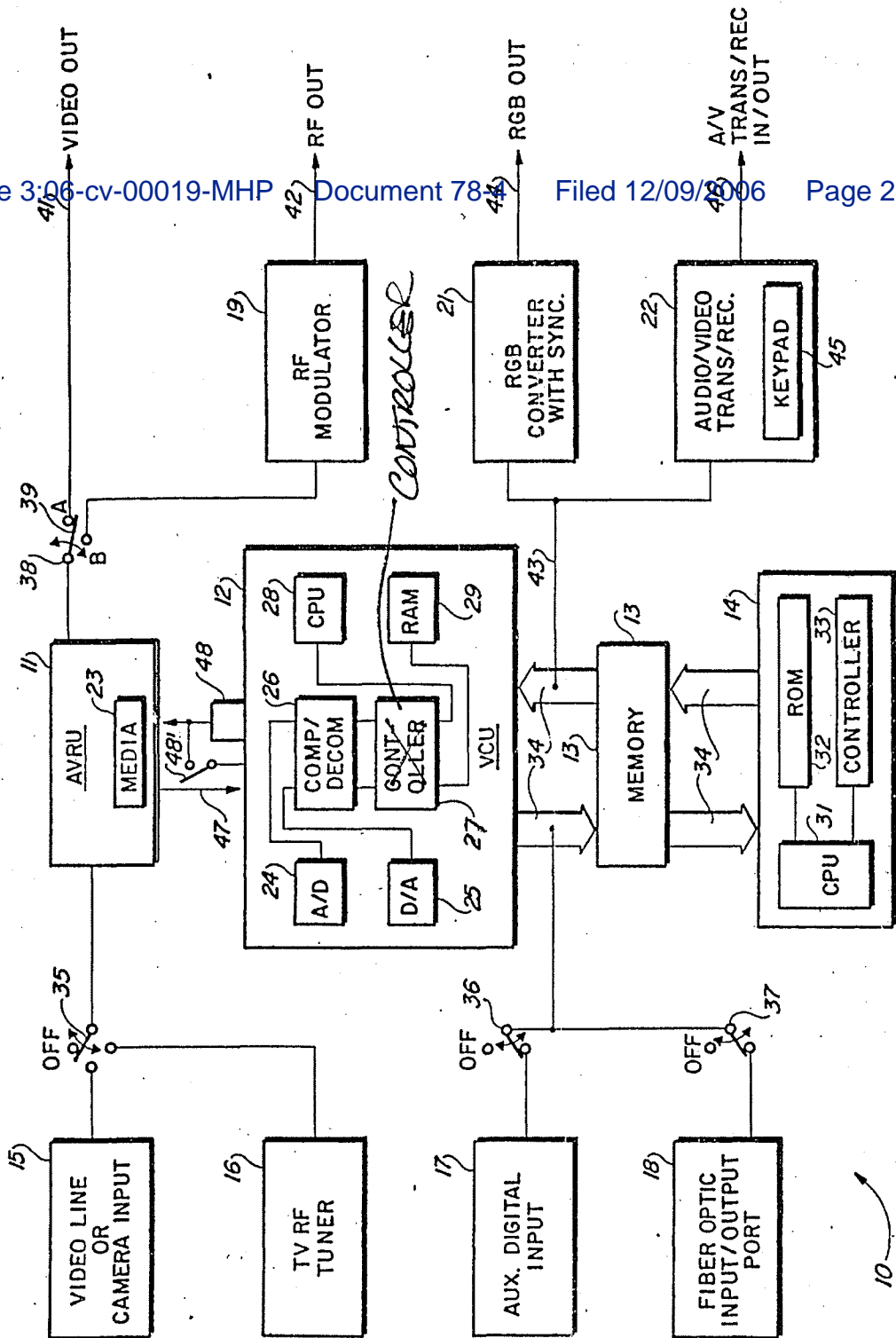


FIG. 10



UNITED STATES DEPARTMENT OF COMMERCE
 Patent and Trademark Office
 Address: COMMISSIONER OF PATENTS AND TRADEMARKS
 Washington, D.C. 20231

SERIAL NUMBER	FILING DATE	FIRST NAMED APPLICANT	ATTORNEY DOCKET NO.
---------------	-------------	-----------------------	---------------------

07/775,182 10/11/91 LANG

R 249

EXAMINER

NGUYEN, H

ART UNIT

PAPER NUMBER

2305

8

DATE MAILED: 03/10/92

WILLIAM E. HEIN
 P.O. BOX 335
 LOVELAND, CO 80539

NOTICE OF ALLOWABILITY

PART I

1. This communication is responsive to Amendment dated Jan 17, 1992
2. All the claims being allowable, PROSECUTION ON THE MERITS IS (OR REMAINS) CLOSED in this application. If not included herewith (or previously mailed), a Notice Of Allowance And Issue Fee Due or other appropriate communication will be sent in due course.
3. The allowed claims are 26 - 102
4. The drawings filed on _____ are acceptable.
5. Acknowledgment is made of the claim for priority under 35 U.S.C. 119. The certified copy has been received. not been received. [...] been filed in parent application Serial No. _____ filed on _____
6. Note the attached Examiner's Amendment.
7. Note the attached Examiner Interview Summary Record, PTOL-413.
8. Note the attached Examiner's Statement of Reasons for Allowance.
9. Note the attached NOTICE OF REFERENCES CITED, PTO-892.
10. Note the attached INFORMATION DISCLOSURE CITATION, PTO-1449.

PART II

A SHORTENED STATUTORY PERIOD FOR RESPONSE to comply with the requirements noted below is set to EXPIRE THREE MONTHS FROM THE "DATE MAILED" indicated on this form. Failure to timely comply will result in the ABANDONMENT of this application. Extensions of time may be obtained under the provisions of 37 CFR 1.136(a).

1. Note the attached EXAMINER'S AMENDMENT or NOTICE OF INFORMAL APPLICATION, PTO-152, which discloses that the oath or declaration is deficient. A SUBSTITUTE OATH OR DECLARATION IS REQUIRED.
2. APPLICANT MUST MAKE THE DRAWING CHANGES INDICATED BELOW IN THE MANNER SET FORTH ON THE REVERSE SIDE OF THIS PAPER.
 - a. Drawing Informalities are indicated on the NOTICE RE PATENT DRAWINGS, PTO-948, attached hereto or to Paper No. _____ CORRECTION IS REQUIRED.
 - b. The proposed drawing correction filed on Jan 22, 1992 has been approved by the examiner. CORRECTION IS REQUIRED.
 - c. Approved drawing corrections are described by the examiner in the attached EXAMINER'S AMENDMENT. CORRECTION IS REQUIRED.
 - d. Formal drawings are now REQUIRED.

Any response to this letter should include in the upper right hand corner, the following information from the NOTICE OF ALLOWANCE AND ISSUE FEE DUE: ISSUE BATCH NUMBER, DATE OF THE NOTICE OF ALLOWANCE, AND SERIAL NUMBER.

Attachments:

- Examiner's Amendment
- Examiner Interview Summary Record, PTOL-413
- Reasons for Allowance
- Notice of References Cited, PTO-892
- Information Disclosure Citation, PTO-1449
- Notice of Informal Application, PTO-152
- Notice re Patent Drawings, PTO-948
- Listing of Bonded Draftsmen
- Other

ROBERT L. RICHARDSON
 PRIMARY EXAMINER
 ART UNIT 235

Serial No. 775,182

Art Unit 235

-2-

The following is an Examiner's Statement of Reasons for Allowance: claims 26-102 are considered allowable over the prior art of record since none of the prior art of record alone or in combination disclose or suggest a method for handling audio/video source information including the step of compressing the received audio/video source information into the time compressed source information having a burst time period and/or the step of transmitting the compressed audio/video source information in the burst time period which is shorter than the real time period of the received audio/video source information.

Any comments considered necessary by applicant must be submitted no later than the payment of the Issue Fee and, to avoid processing delays, should preferably accompany the Issue Fee. Such submissions should be clearly labeled "Comments on Statement of Reasons for Allowance."

An Examiner's Amendment to the record appears below. Should the changes and/or additions be unacceptable to applicant, an amendment may be filed as provided by 37 C.F.R. 1.312. To ensure consideration of such an amendment, it MUST be submitted no later than the payment of the Issue Fee.

In the amended claim 86, line 2, the term "said said" has been changed to -- said-- .

Inquiries relative to the merits of this Office action

APBU-00000372

Serial No. 775,182

Art Unit 235

-3-

should be directed to Huy Nguyen, at (703)-308-1547. Other inquiries of a general nature, and status inquiries, should be directed to the Group 230 receptionist at (703)-308-0754.



ROBERT L. RICHARDSON
PRIMARY EXAMINER
ART UNIT 235



**UNITED STATES DEPARTMENT OF COMMERCE
Patent and Trademark Office**

Address: Box ISSUE FEE
COMMISSIONER OF PATENTS AND TRADEMARKS
Washington, D.C. 20231

FLEHR, HOHBACH, TEST, ALBRITTON &
HERBERT
STE. 3400, FOUR EMBARCADERO CTR.,
SAN FRANCISCO, CA 94111

**NOTICE OF ALLOWANCE
AND ISSUE FEE DUE**

- Note attached communication from the Examiner
- This notice is issued in view of applicant's communication filed _____

SERIES CODE/SERIAL NO.	FILING DATE	TOTAL CLAIMS	EXAMINER AND GROUP ART UNIT	DATE MAILED
07/470,394	01/25/90	003	SPAHN, G 356	05/10/90
First Named Applicant THURSTON, KURT W.				

TITLE OF INVENTION
PLASTIC BARRICADE WITH LIMITING BOLT

ATTY'S DOCKET NO.	CLASS-SUBCLASS	BATCH NO.	APPLN. TYPE	SMALL ENTITY	FEE DUE	DATE DUE
3 A498891JGW	404-006.000	F36	UTILITY	YES	\$310.00	08/10/90

THE APPLICATION IDENTIFIED ABOVE HAS BEEN EXAMINED AND IS ALLOWED FOR ISSUANCE AS A PATENT. PROSECUTION ON THE MERITS IS CLOSED.

THE ISSUE FEE MUST BE PAID WITHIN THREE MONTHS FROM THE MAILING DATE OF THIS NOTICE OR THIS APPLICATION SHALL BE REGARDED AS ABANDONED. THIS STATUTORY PERIOD CANNOT BE EXTENDED.

HOW TO RESPOND TO THIS NOTICE:

- I. Review the SMALL ENTITY Status shown above.

If the SMALL ENTITY is shown as YES, verify your current SMALL ENTITY status: <ol style="list-style-type: none"> A. If the Status is changed, pay twice the amount of the FEE DUE shown above and notify the Patent and Trademark Office of the change in status, or B. If the Status is the same; pay the FEE DUE shown above. 	If the SMALL ENTITY is shown as NO: <ol style="list-style-type: none"> A. Pay FEE DUE shown above, or B. File verified statement of Small Entity Status before, or with, payment of 1/2 the FEE DUE shown above.
---	--
- II. Part B of this notice should be completed and returned to the Patent and Trademark Office (PTO) with your ISSUE FEE. Even if the ISSUE FEE has already been paid by a charge to deposit account, Part B should be completed and returned. If you are charging the ISSUE FEE to your deposit account, Part C of this notice should also be completed and returned.
- III. All communications regarding this application must give series code (or filing date), serial number and batch number. Please direct all communications prior to issuance to Box ISSUE FEE unless advised to the contrary.

IMPORTANT REMINDER: Patents issuing on applications filed on or after Dec. 12, 1980 may require payment of maintenance fees.



**UNITED STATES DEPARTMENT OF COMMERCE
Patent and Trademark Office**

Address: Box ISSUE FEE
COMMISSIONER OF PATENTS AND TRADEMARKS
Washington, D.C. 20231

SW

#9

WILLIAM E. HEIN
P.O. BOX 335
LOVELAND, CO 80539

**NOTICE OF ALLOWANCE
AND ISSUE FEE DUE**

- Note attached communication from the Examiner.
- This notice is issued in view of applicant's communication filed.

SERIES CODE/SERIAL NO.	FILING DATE	TOTAL CLAIMS	EXAMINER AND GROUP ART UNIT	DATE MAILED
07/775,182	10/11/91	077	NGUYEN, H	2305 03/10/92
First Named Applicant	LANG, RICHARD A.			

TITLE OF INVENTION: **METHOD FOR HANDLING AUDIO/VIDEO SOURCE INFORMATION (AS AMENDED)**

ATTY'S DOCKET NO.	CLASS-SUBCLASS	BATCH NO.	APPLN. TYPE	SMALL ENTITY	FEE DUE	DATE DUE
2 249	358-335.000	AB8	UTILITY	YES	\$565.00	06/10/92

THE APPLICATION IDENTIFIED ABOVE HAS BEEN EXAMINED AND IS ALLOWED FOR ISSUANCE AS A PATENT. PROSECUTION ON THE MERITS IS CLOSED.

THE ISSUE FEE MUST BE PAID WITHIN THREE MONTHS FROM THE MAILING DATE OF THIS NOTICE OR THIS APPLICATION SHALL BE REGARDED AS ABANDONED. THIS STATUTORY PERIOD CANNOT BE EXTENDED.

HOW TO RESPOND TO THIS NOTICE:

- I. Review the SMALL ENTITY Status shown above.

If the SMALL ENTITY is shown as YES, verify your current SMALL ENTITY status: <ol style="list-style-type: none"> A. If the Status is changed, pay twice the amount of the FEE DUE shown above and notify the Patent and Trademark Office of the change in status; or B. If the Status is the same, pay the FEE DUE shown above. 	If the SMALL ENTITY is shown as NO: <ol style="list-style-type: none"> A. Pay FEE DUE shown above; or B. File verified statement of Small Entity Status before, or with, payment of 1/2 the FEE DUE shown above.
---	--
- II. Part B of this notice should be completed and returned to the Patent and Trademark Office (PTO) with your ISSUE FEE. Even if the ISSUE FEE has already been paid by a charge to deposit account, Part B should be completed and returned. If you are charging the ISSUE FEE to your deposit account, Part C of this notice should also be completed and returned.
- III. All communications regarding this application must give series code (or filing date), serial number and batch number. Please direct all communications prior to issuance to Box ISSUE FEE unless advised to the contrary.

IMPORTANT REMINDER: Patents issuing on applications filed on or after Dec. 12, 1980 may require payment of maintenance fees.



UNITED STATES DEPARTMENT OF COMMERCE
 Patent and Trademark Office
 Address: COMMISSIONER OF PATENTS AND TRADEMARKS
 Washington, D.C. 20231

SERIAL NUMBER	FILING DATE	FIRST NAMED APPLICANT	ATTORNEY DOCKET NO.
07/775,182	10/11/91	LANG	R 249
			EXAMINER

NGUYEN, H

WILLIAM E. HEIN
 P.O. BOX 335
 LOVELAND, CO 80539

ART UNIT	PAPER NUMBER
2305	10 / D

DATE MAILED: 03/13/92

Supplement

NOTICE OF ALLOWABILITY

PART I.

1. This communication is responsive to _____.
2. All the claims being allowable, PROSECUTION ON THE MERITS IS (OR REMAINS) CLOSED in this application. If not included herewith (or previously mailed), a Notice Of Allowance And Issue Fee Due or other appropriate communication will be sent in due course.
3. The allowed claims are _____.
4. The drawings filed on _____ are acceptable.
5. Acknowledgment is made of the claim for priority under 35 U.S.C. 119. The certified copy has [-] been received. [-] not been received. [-] been filed in parent application Serial No. _____ filed on _____.
6. Note the attached Examiner's Amendment.
7. Note the attached Examiner Interview Summary Record, PTOL-413.
8. Note the attached Examiner's Statement of Reasons for Allowance.
9. Note the attached NOTICE OF REFERENCES CITED, PTO-892.
10. Note the attached INFORMATION DISCLOSURE CITATION, PTO-1449.

PART II.

A SHORTENED STATUTORY PERIOD FOR RESPONSE to comply with the requirements noted below is set to EXPIRE THREE MONTHS FROM THE "DATE MAILED" indicated on this form. Failure to timely comply will result in the ABANDONMENT of this application. Extensions of time may be obtained under the provisions of 37 CFR 1.136(a).

1. Note the attached EXAMINER'S AMENDMENT or NOTICE OF INFORMAL APPLICATION, PTO-152, which discloses that the oath or declaration is deficient. A SUBSTITUTE OATH OR DECLARATION IS REQUIRED.
2. APPLICANT MUST MAKE THE DRAWING CHANGES INDICATED BELOW IN THE MANNER SET FORTH ON THE REVERSE SIDE OF THIS PAPER.
 - a. Drawing informalities are indicated on the NOTICE RE PATENT DRAWINGS, PTO-948, attached hereto or to Paper No. _____. CORRECTION IS REQUIRED.
 - b. The proposed drawing correction filed on _____ has been approved by the examiner. CORRECTION IS REQUIRED.
 - c. Approved drawing corrections are described by the examiner in the attached EXAMINER'S AMENDMENT. CORRECTION IS REQUIRED.
 - d. Formal drawings are now REQUIRED.

Any response to this letter should include in the upper right hand corner, the following information from the NOTICE OF ALLOWANCE AND ISSUE FEE DUE: ISSUE BATCH NUMBER, DATE OF THE NOTICE OF ALLOWANCE, AND SERIAL NUMBER.

Attachments:

- Examiner's Amendment
- Examiner Interview Summary Record, PTOL-413
- Reasons for Allowance
- Notice of References Cited, PTO-892
- Information Disclosure Citation, PTO-1449
- Notice of Informal Application, PTO-152
- Notice re Patent Drawings, PTO-948
- Listing of Bonded Draftsmen
- Other

[Signature]

ROBERT L. RICHARDSON
 PRIMARY EXAMINER
 ART UNIT 235

Serial No. 775,182

Art Unit 235

-2-

An Examiner's Amendment to the record appears below. Should the changes and/or additions be unacceptable to applicant, an amendment may be filed as provided by 37 C.F.R. 1.312. To ensure consideration of such an amendment, it MUST be submitted no later than the payment of the Issue Fee.

In the specification, page 1, lines 6-10, the paragraph " This is a division of application Serial No. 07/374,629 filed May 5, 1989, which is, in turn, a continuation-in-part of application Serial No. 07/289,776 filed December 27, 1988." has been changed to - This application is a division of application Serial No. 07/374,629 filed May 5, 1989 now patent No. 5057932, which is, in turn, a continuation-in-part of application Serial No. 07/289,776 filed December 27, 1988 now patent No. 4963995.

Inquiries relative to the merits of this Office action should be directed to Huy Nguyen, at (703)-308-1547. Other inquiries of a general nature, and status inquiries, should be directed to the Group 230 receptionist at (703)-308-0754.



ROBERT L. RICHARDSON
PRIMARY EXAMINER
ART UNIT 235

H

HNF



UNITED STATES PATENT AND TRADEMARK OFFICE
ART UNIT 2305
Examiner H. Nguyen

RECEIVED
OFFICE OF PUBLICATIONS
PUBLISHING DIVISION
92 JUN 15 AM 9:43

Richard A. Lang
CASE 249
SERIAL NO. 07/775,182
FILED October 11, 1991
SUBJECT METHOD FOR HANDLING AUDIO/VIDEO SOURCE INFORMATION (AS AMENDED)

THE COMMISSIONER OF PATENTS AND TRADEMARKS
WASHINGTON, D.C. 20231

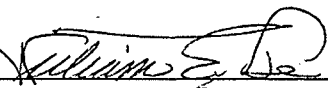
SIR:

DRAWING TRANSMITTAL LETTER

In response to the drawing requirement set forth in Form PTOL-37 mailed March 10, 1992, enclosed herewith for filing in the above-identified, allowed patent application (Issue Batch No. A88) are four (4) sheets of substitute formal drawing.

Respectfully submitted,

Richard A. Lang

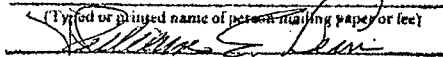
By 
William E. Hein
Patent Attorney #26,465

June 4, 1992
(303) 667-6741
Loveland, Colorado

"Express Mail" mailing label number TB066137522
Date of Deposit June 4, 1992

heroby certify that this paper or fee is being deposited with the United States Postal Service "Express Mail Post Office to Addressee" service under 37 CFR 1.10 on date indicated above and is addressed to the Commissioner of Patents and Trademarks, Washington, D.C. 20231.

William E. Hein

(Typed or printed name of person mailing paper or fee)

(Signature of person mailing paper or fee)

5164839

APPROVED	O.G. FIG. 3
BY	BLAKE SUBCLASS
DRAFTSMAN	379 285

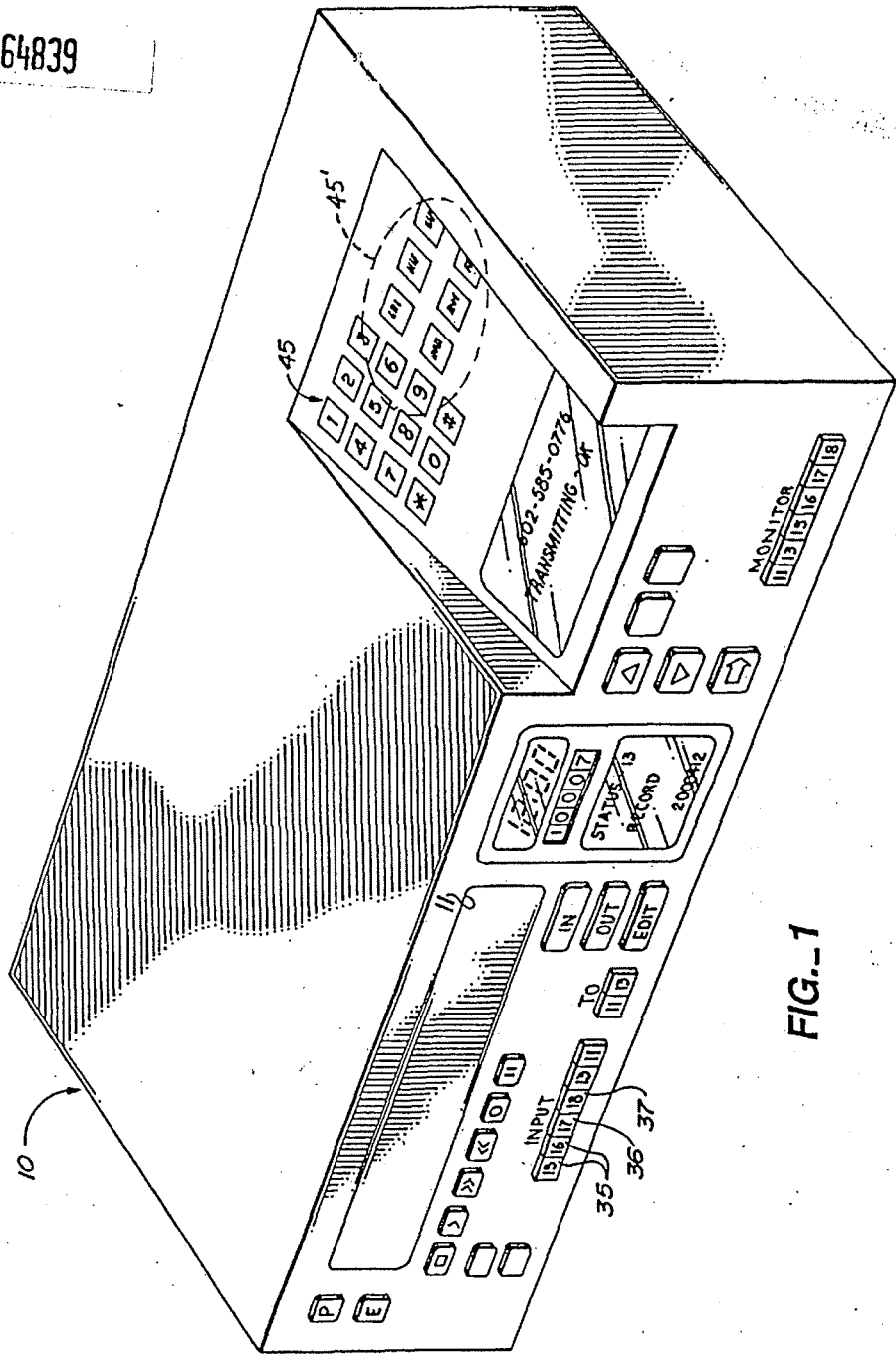


FIG.-1

ATTACHED
BY
SERIALIZED
0.6 FIG.
CLASS LABELS

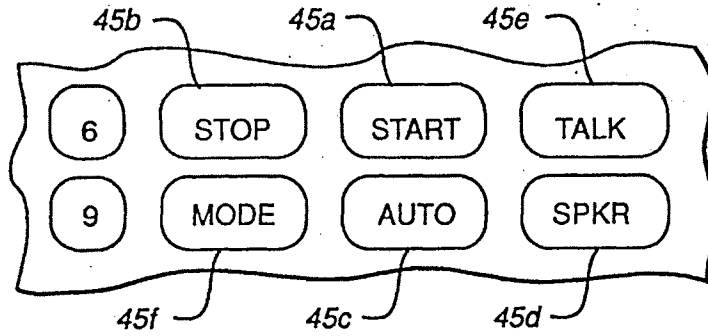


FIG. 1A

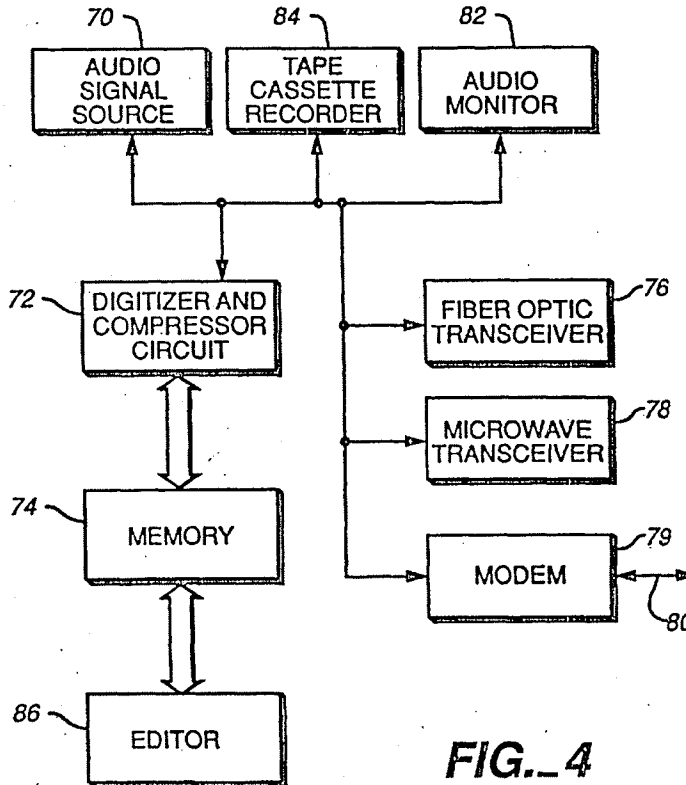


FIG. 4

APPROVED BY
 D.G. FIG.
 CLASS ISSUANCES
 CRAFTSMAN

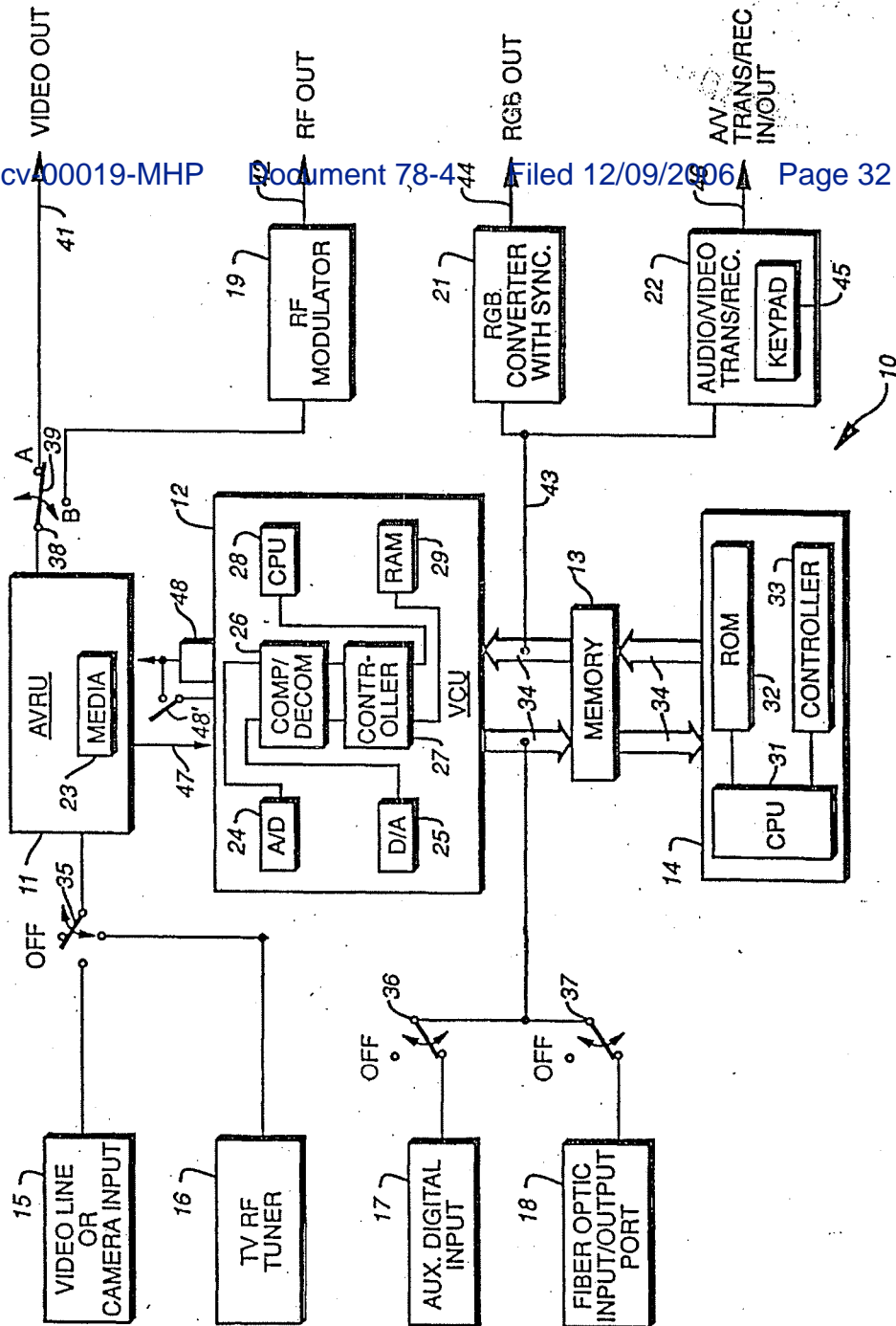


FIG. 2

APPROVED BY
 06 FIG. 3
 CLASS SUBJECTS
 3/27/03
 DRAFTSMAN

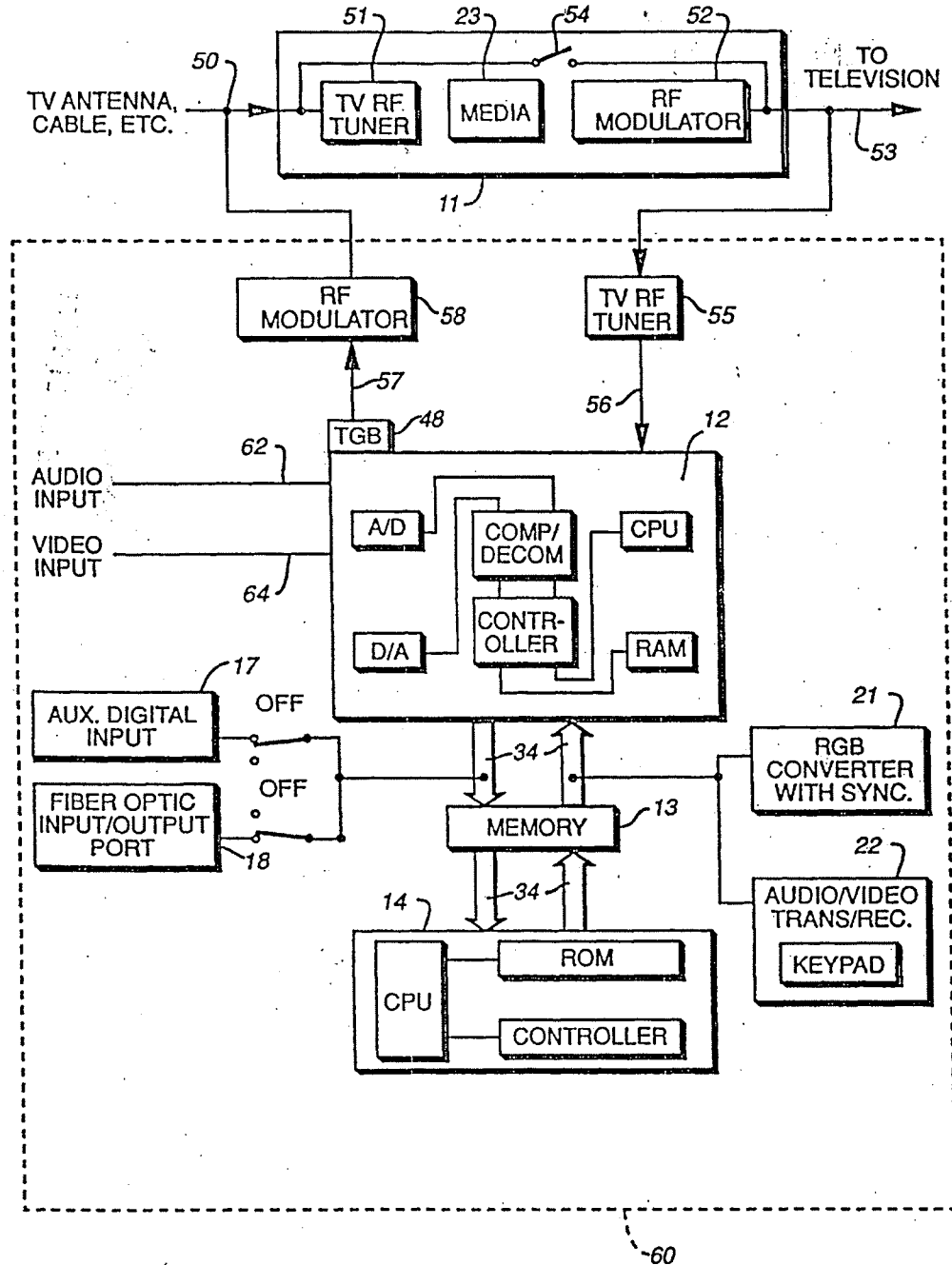
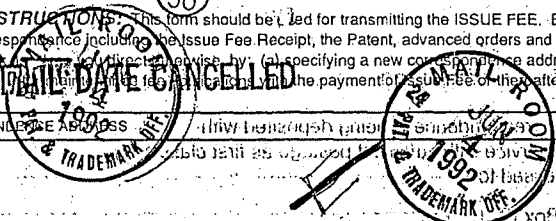


FIG. 3

PART B - ISSUE FEE TRANSMITTAL

565.00 242
30.00 561
13 SW

MAILING INSTRUCTIONS: This form should be used for transmitting the ISSUE FEE. Blocks 2 through 4 should be completed where appropriate. All further correspondence including the Issue Fee Receipt, the Patent, advanced orders and notification of maintenance fees will be mailed to addressee entered in Block 1. Correspondence may be directed to a new correspondence address in Block 3 below; or (b) providing the PTO with a separate "FEE ADDRESS" for the payment of issue fee of the patent. See reverse for Certificate of Mailing.



1. CORRESPONDENCE ADDRESS
 WILLIAM E. HEIN
 P.O. BOX 335
 LOVELAND, CO 80539

2. INVENTOR(S) ADDRESS CHANGE (Complete only if there is a change)
 INVENTOR(S) NAME
 Street Address
 City, State and ZIP Code
 CO-INVENTOR'S NAME
 Street Address
 City, State and ZIP Code

Check if additional changes are on reverse side

SERIES CODE/SERIAL NO.	FILING DATE	TOTAL CLAIMS	(CLASS) EXAMINER AND GROUP (PART UNIT)	DATE MAILED
07/775.182	10/11/91	077	NGUYEN, H	2305 09/10/92

First Named Applicant: LANG, RICHARD A.

TITLE OF INVENTION: METHOD FOR HANDLING AUDIO/VIDEO SOURCE INFORMATION (AS AMENDED)

ATTY'S DOCKET NO.	CLASS-SUBCLASS	BATCH NO.	APPLN. TYPE	SMALL ENTITY	FEE DUE	DATE DUE
2 249	358-335.000	ASS	UTILITY	YES	565.00	06/10/92

3. Further correspondence to be mailed to the following:
 William E. Hein

4. For printing on the patent front page, list the names of not more than 3 registered patent attorneys or agents, OR alternatively, the name of a firm having as a member a registered attorney or agent. If no name is listed, no name will be printed.

100 TW 06/15/92 07775182	1 242	565.00 CK
100 TW 06/15/92 07775182	1 561	30.00 CK

5. ASSIGNMENT DATA TO BE PRINTED ON THE PATENT (print or type)

(1) NAME OF ASSIGNEE:
 Explore Technology, Inc. 02

(2) ADDRESS: (City & State or Country)
 Scottsdale, Arizona

(3) STATE OF INCORPORATION, IF ASSIGNEE IS A CORPORATION:
 Arizona

A. This application is NOT assigned.
 Assignment previously submitted to the Patent and Trademark Office.
 Assignment is being submitted under separate cover. Assignments should be directed to Box ASSIGNMENTS.

PLEASE NOTE: Unless an assignee is identified in Block 5, no assignee data will appear on the patent. Inclusion of assignee data is only appropriate when an assignment has been previously submitted to the PTO or is being submitted under separate cover. Completion of this form is NOT a substitute for filing an assignment.

6a. The following fees are enclosed:
 Issue Fee Advanced Order - # of Copies 10 (Minimum of 10)

6b. The following fees should be charged to:
 DEPOSIT ACCOUNT NUMBER (Enclose Part C)
 Issue Fee Advanced Order - # of Copies (Minimum of 10)
 Any Deficiencies in Enclosed Fees

The COMMISSIONER OF PATENTS AND TRADEMARKS is requested to apply the Issue Fee to the application identified above.

Signature of party in interest or record: *William E. Hein* (Date) June 4, 1992

NOTE: The Issue Fee will not be accepted from anyone other than the applicant, a registered attorney or agent, or the assignee or other party in interest as shown by the records of the Patent and Trademark Office.

TRANSMIT THIS FORM WITH FEE-CERTIFICATE OF MAILING ON REVERSE

PART 2 ISSUE FEE TRANSMITTAL

THE UNITED STATES POSTAL SERVICE... CERTIFICATE OF MAILING

I hereby certify that this correspondence is being deposited with the United States Postal Service with sufficient postage as first class mail-in-an-envelope addressed to:

Box ISSUE FEE
 Commissioner of Patents and Trademarks
 Washington, D.C. 20231

on _____ (Date)

(Name of person making deposit) _____
 (Signature) _____
 (Date) _____

Note: If this certificate of mailing is used, it can only be used to transmit the Issue Fee. This certificate cannot be used for any other accompanying papers. Each additional paper, such as an assignment or formal drawings, must have its own certificate of mailing.

Express Mail mailing label number TB066137522
Date of Deposit June 4, 1992

I hereby certify that this paper or fee is being deposited with the United States Postal Service "Express Mail" Post Office to address service under 37 CFR 1.10, on date indicated above and is addressed to the Commissioner of Patents and Trademarks, Washington, D.C. 20231.

William E. Hein
 (Signature of person mailing paper or fee)

RECEIVED
EXHIBITS
JUN 11 11 33 AM '92

This form is estimated to take 20 minutes to complete. Time will vary depending upon the needs of the individual applicant. Any comments on the amount of time you require to complete this form should be sent to the Office of Management and Organization, Patent and Trademark Office, Washington, D.C. 20231 and to the Office of Information and Regulatory Affairs, Office of Management and Budget, Washington, D.C. 20503.



PATENT RECEIVED
ALLOWED FILES/CORRES
PUBLISHING DIVISION

JUN 24 AM 7:50

JUN 16 1992

GROUP 230

IN THE
UNITED STATES PATENT AND TRADEMARK OFFICE
ART UNIT 2305 ✓

Examiner H. Nguyen

I hereby certify that this correspondence is being deposited with the United States Postal Service as first class mail in an envelope addressed to: Commissioner of Patents and Trademarks, Washington, D.C. 20231, on June 3, 1992.

Date

Richard A. Lang

CASE 249

SERIAL NO. 07/775,182

FILED October 11, 1991

SUBJECT METHOD FOR HANDLING AUDIO/VIDEO SOURCE INFORMATION (AS AMENDED)

William E. Hein

Name of applicant, assignee, or Registered Representative

William E. Hein

Signature

June 3, 1992

Date

THE COMMISSIONER OF PATENTS AND TRADEMARKS
WASHINGTON, D.C. 20231

#12
Rose
8-31-92

SIR:

SUPPLEMENTAL DECLARATION FOR AMENDMENTS PRESENTING CLAIMS FOR MATTER DISCLOSED BUT NOT ORIGINALLY CLAIMED

I, Richard A. Lang, the inventor named in the above-identified patent application, hereby declare that the subject matter of the Preliminary Amendment filed on October 11, 1991, and of the Supplemental Preliminary Amendment filed on January 17, 1992, was part of my invention and was invented before the effective filing date of the above-identified patent application.

I hereby state that I have reviewed and understand the contents of the above-identified specification, including the claims, as amended by the two amendments referred to above.

I acknowledge the duty to disclose information which is material to patentability in accordance with 37 CFR 1.56(a).

I hereby declare that all statements made herein of my own knowledge are true and all statements made on information and belief are believed to be true; and further that these statements are made with the knowledge that willful false statements and the like so made are punishable by fine or imprisonment, or both, under Section 1001 of Title 18 of the United States Code, and that such willful false statements may jeopardize the validity of the application or any patent issuing thereon.

Date May 29th, 1992

Richard A. Lang
Richard A. Lang

PTO UTILITY GRANT

Paper Number 13

The
United
States
of
America

The Commissioner of Patents
and Trademarks

*Has received an application for a patent
for a new and useful invention. The title
and description of the invention are en-
closed. The requirements of law have
been complied with, and it has been de-
termined that a patent on the invention
shall be granted under the law.*

Therefore, this:

United States Patent

*Grants to the person or persons having
title to this patent the right to exclude
others from making, using or selling the
invention throughout the United States
of America for the term of seventeen
years from the date of this patent, sub-
ject to the payment of maintenance fees
as provided by law.*



Douglas B. Clauery

Acting Commissioner of Patents and Trademarks

Sandra J. Morton

Attest

PTO-1584

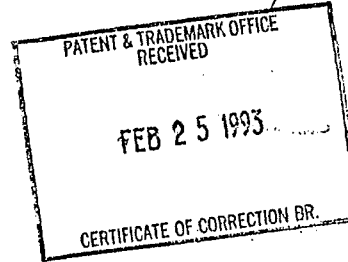


CofC

IN THE
UNITED STATES PATENT AND TRADEMARK OFFICE
ART UNIT 2305
Examiner H. Nguyen

14
[Handwritten initials]

Richard A. Lang
CASE 249
PATENT NO. 5,164,839
ISSUED November 17, 1992
SUBJECT METHOD FOR HANDLING AUDIO/VIDEO SOURCE INFORMATION



THE COMMISSIONER OF PATENTS AND TRADEMARKS
WASHINGTON, D.C. 20231

SIR:

REQUEST FOR ISSUANCE OF CERTIFICATE OF CORRECTION

Issuance of the attached Certificate of Correction is hereby requested.
Please mail one copy of the issued Certificate of Correction to applicant's undersigned attorney of record for attachment to the Letters Patent.

Respectfully submitted,

Richard A. Lang

By

[Signature]
William E. Hein
Patent Attorney #26,465

APPROVED
OCT 21 1993
[Signature]
FOR THE COMMISSIONER OF PAT. & T.M.

January 29, 1993
(303) 667-6741
Loveland, Colorado

I hereby certify that this correspondence is being deposited with the United States Postal Service as first class mail in an envelope addressed to: Commissioner of Patents and Trademarks, Washington, D.C. 20231, on January 29, 1993.

Date

William E. Hein

Name of applicant, assignee, or Registered Representative

[Signature]
Signature

January 29, 1993

Date

Staple Here Only

PRINTER'S TRIM LINE

UNITED STATES PATENT AND TRADEMARK OFFICE
CERTIFICATE OF CORRECTION

PATENT NO. : 5,164,839

DATED November 17, 1992

INVENTOR(S) : Richard A. Lang

It is certified that error appears in the above-identified patent and that said Letters Patent are hereby corrected as shown below:

Column 1, line 43, after "using" insert "the VCR";

Column 3, line 62, after "coating" insert a period;

Column 4, line 35, after "29" insert a period;

Column 7, line 65, after "signal" insert a period;

Column 8, line 6, after "ceiver" insert a period;

Column 8, line 47, after "VCR's" insert a period;

Column 16, line 63, "with" should be "within";

Column 20, line 52, cancel "in an associated burst time"; and

Column 20, line 53, cancel the entire line

MAILING ADDRESS OF SENDER:
William E. Hein
Attorney at Law
P.O. Box 335
Loveland, Colorado 80539

PATENT NO. 5,164,839

No. of add'l. copies
@ 30¢ per page

➔ _____



UNITED STATES DEPARTMENT OF COMMERCE
Patent and Trademark Office
ASSISTANT SECRETARY AND COMMISSIONER
OF PATENTS AND TRADEMARKS
Washington, D.C. 20231

02 APR 1993

William E. Hein
Attorney at Law
P.O. Box 335
Loveland, CO 80539

Re: Status Regarding Certificate of Correction for
U.S. Patent No. 5,164,839

Dear William E. Hein

On February 2, 1993, we received a request for a Certificate of Correction for the above-referenced patent. We are currently experiencing a backlog of approximately 6-8 months. We appreciate your patience while we work through our backlog.

Should expedited services be required, please contact me at (703) 305-8127.

Sincerely,

Mary Allen, Manager
Certificates of Correction Branch
Office of Publication and Dissemination

APBU-00000389

UNITED STATES PATENT AND TRADEMARK OFFICE
CERTIFICATE OF CORRECTION

PATENT NO. : 5,164,839
DATED : November 17, 1992
INVENTOR(S) : Richard A. Lang

It is certified that error appears in the above-identified patent and that said Letters Patent is hereby corrected as shown below:

Column 1, line 43, after "using" insert "the VCR";
Column 3, line 62, after "coating" insert a period;
Column 4, line 35, after "29" insert a period;
Column 7, line 65, after "signal" insert a period;
Column 8, line 6, after "ceiver" insert a period;
Column 8, line 47, after "VCR's" insert a period;
Column 16, line 63, "with" should be "within";
Column 20, line 52, cancel "in an associated burst time"; and
Column 20, line 53, cancel the entire line

Signed and Sealed this
Sixteenth Day of November, 1993

Attest:



BRUCE LEHMAN

Attesting Officer

Commissioner of Patents and Trademarks

APBU-00000390