

EXHIBIT 1



US007169418B2

(12) **United States Patent**
Dalton et al.

(10) **Patent No.:** **US 7,169,418 B2**

(45) **Date of Patent:** ***Jan. 30, 2007**

(54) **PACKAGING SYSTEM TO PROVIDE FRESH PACKED COFFEE**

(75) **Inventors:** **David Andrew Dalton**, Loveland, OH (US); **James David Smith**, Loveland, OH (US); **James Lee Bono**, Cincinnati, OH (US); **Sameer Mungur**, Cincinnati, OH (US); **Douglas Bruce Zeik**, Middletown, OH (US); **Aisha Barry**, Mason, OH (US); **Jennifer Ruth Ralston Floyd**, West Chester, OH (US)

(73) **Assignee:** **The Procter and Gamble Company**, Cincinnati, OH (US)

(*) **Notice:** Subject to any disclaimer, the term of this patent is extended or adjusted under 35 U.S.C. 154(b) by 304 days.

This patent is subject to a terminal disclaimer.

(21) **Appl. No.:** **10/155,338**

(22) **Filed:** **May 24, 2002**

(65) **Prior Publication Data**

US 2003/0010787 A1 Jan. 16, 2003

Related U.S. Application Data

(60) Provisional application No. 60/295,666, filed on Jun. 4, 2001.

(51) **Int. Cl.**
B65D 83/00 (2006.01)
B65D 85/00 (2006.01)

(52) **U.S. Cl.** 426/110; 220/366.1; 220/495.03; 426/118; 426/127

(58) **Field of Classification Search** 426/110, 426/118, 127, 126, 395, 396, 398; 220/495.03, 220/227, 366.1

(56) **References Cited**

U.S. PATENT DOCUMENTS

2,502,918 A 4/1950 Beresford

(Continued)

FOREIGN PATENT DOCUMENTS

CH 403 454 6/1966

(Continued)

OTHER PUBLICATIONS

Marks' Standard Handbook for Mechanical Engineers (10th Edition). McGraw Hill (1996) [retrieved from online Aug. 18, 2004] Table 6.12.1 URL <<http://www.knovel.com/knovel2/Toc.jsp?SpaceID=162&BookID=346>>.*

"The Blow Molding Process". 2000. [retrieved from Internet on Aug. 10, 2004] URL <http://www.oxfordsource.com/Home/Design/Blow_Molding/blow_molding.html>.*

(Continued)

Primary Examiner—Arthur L. Corbin

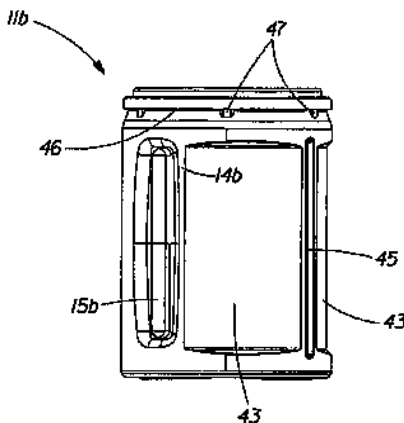
(74) *Attorney, Agent, or Firm*—Ingrid N. Hackett; Carl J. Roof; Peter D. Meyer

(57) **ABSTRACT**

A fresh packaging system for roast and ground coffee having a top load capacity of at least about 16 pounds (7.3 Kg) comprising a container with a closed bottom, an open top, and a body enclosing a perimeter between the bottom and the top. A protuberance is continuously disposed around the perimeter of the body proximate to the top and forms a ridge external to the body. A flexible closure is removeably attached and sealed to the protuberance so that the closure seals the interior volume of the container. The container bottom and container body are constructed from a material having a tensile modulus number ranging from at least about 35,000 to at least about 650,000 pounds per square inch (at least about 2,381 to at least about 44,230 atm).

See application file for complete search history.

55 Claims, 7 Drawing Sheets



US 7,169,418 B2

Page 2

U.S. PATENT DOCUMENTS								
2,567,218	A	9/1951	Lemire	5,085,034	A *	2/1992	Haas	53/452
2,721,000	A	10/1955	Schwendler et al.	5,085,331	A	2/1992	Groya et al.	
3,067,900	A	12/1962	Kessler	5,100,017	A	3/1992	Ishinabe et al.	
3,077,409	A	2/1963	Baselt	5,123,554	A	6/1992	Arvidson et al.	
3,127,064	A	3/1964	Fairchild	5,139,165	A	8/1992	Hara	
3,141,586	A	7/1964	Wetterek	5,152,419	A	10/1992	Yanagi	
3,151,757	A	10/1964	Martin	5,174,458	A	12/1992	Segati	
3,173,571	A	3/1965	Cserny et al.	5,178,290	A	1/1993	Ota et al.	
3,203,572	A	8/1965	Scott, Jr. et al.	5,199,587	A	4/1993	Ota et al.	
3,250,426	A	5/1966	Fraze	5,199,588	A	4/1993	Hayashi	
3,269,588	A	8/1966	Ruekberg	5,201,438	A	4/1993	Norwood	
3,381,872	A	5/1968	Holder et al.	5,213,230	A	5/1993	Kral	
3,393,818	A	7/1968	McIntosh	5,217,128	A	6/1993	Stenger	
D213,040	S	12/1968	Schaper et al.	5,217,133	A	6/1993	Timson et al.	
3,578,467	A	5/1971	Huber	5,224,613	A	7/1993	Robbins, III	
3,756,448	A	9/1973	Moller et al.	5,242,079	A	9/1993	Stephens et al.	
3,821,427	A	6/1974	Enzie et al.	5,242,696	A	9/1993	McDevitt	
3,908,334	A	9/1975	Rychiger	5,244,113	A	9/1993	Stymiest	
3,937,396	A	2/1976	Schneider	5,251,770	A	10/1993	Bartley et al.	
3,944,127	A *	3/1976	Bruke et al.	5,259,522	A	11/1993	Morton	206/205
3,966,071	A	6/1976	Northup	5,261,543	A	11/1993	Ugarelli	
4,013,811	A	3/1977	Maruska	5,279,433	A	1/1994	Krishnakumar et al.	
4,047,473	A *	9/1977	Fletcher et al.	D343,794	S	2/1994	D'Amico et al.	493/108
4,121,728	A	10/1978	Tagalakis et al.	5,285,954	A	2/1994	Goglio	
4,154,044	A	5/1979	Lang	5,303,834	A	4/1994	Krishnakumar et al.	
4,210,255	A	7/1980	Pan	5,320,232	A	6/1994	Maguire et al.	
4,303,176	A	12/1981	Swartzbaugh	5,341,946	A	8/1994	Vaillencourt et al.	
4,315,578	A	2/1982	Ludwig, Jr.	5,356,025	A	10/1994	Remault	
4,402,435	A	9/1983	Libit	5,363,978	A	11/1994	Molo	
4,413,748	A	11/1983	Kessler et al.	5,381,910	A	1/1995	Sugiura et al.	
4,427,126	A	1/1984	Ostrowsky	5,407,087	A	4/1995	Giblin et al.	
4,463,869	A	8/1984	Lewis	5,443,175	A	8/1995	Kelly et al.	
4,489,537	A	12/1984	Gordon et al.	5,445,291	A	8/1995	Daniel	
4,494,363	A	1/1985	Rica et al.	5,464,969	A	11/1995	Miller	
4,506,600	A	3/1985	Hersom et al.	5,499,730	A	3/1996	Harbour	
4,557,398	A	12/1985	Hambleton et al.	5,509,564	A	4/1996	Knoop	
4,623,071	A	11/1986	Malcolm	5,515,993	A	5/1996	McManus	
4,632,266	A	12/1986	Osswald	5,562,230	A	10/1996	Perry	
4,646,933	A	3/1987	Jurczenia et al.	5,582,314	A	12/1996	Quinn et al.	
4,691,821	A	9/1987	Hofmann	5,582,315	A	12/1996	Reid	
4,723,681	A	2/1988	Glerum	5,584,409	A	12/1996	Chemberlen	
4,742,928	A	5/1988	Braun	5,587,192	A	12/1996	Beizermann	
4,754,896	A	7/1988	Roltgen et al.	5,598,941	A	2/1997	Semersky et al.	
4,756,443	A	7/1988	Murayama	D381,903	S	8/1997	Zimmer et al.	
4,779,756	A	10/1988	Buelens et al.	5,667,094	A	9/1997	Rapchak et al.	
4,821,899	A	4/1989	Nycz et al.	5,688,544	A	11/1997	Bolton et al.	
4,833,864	A	5/1989	Schnippering et al.	5,690,244	A	11/1997	Darr	
4,836,376	A	6/1989	Posso	5,692,630	A	12/1997	Hsu	
4,856,674	A	8/1989	Berney	5,692,637	A	12/1997	Hodge	
4,883,193	A	11/1989	Christensson	5,692,638	A	12/1997	Perry	
4,890,752	A *	1/1990	Ota et al.	5,704,504	A	1/1998	Bueno	215/384
4,890,757	A	1/1990	Robbins, III	5,727,881	A	3/1998	Domke	
4,892,220	A	1/1990	Foos	5,730,310	A	3/1998	Yoshihara	
4,896,782	A *	1/1990	Hawkins et al.	5,740,934	A	4/1998	Brady	215/329
4,896,787	A	1/1990	Delamour et al.	5,762,228	A	6/1998	Morgan et al.	
4,909,022	A	3/1990	Kubis et al.	5,779,082	A	7/1998	Miramón	
4,912,048	A	3/1990	Smith et al.	5,785,196	A	7/1998	Montgomery	
4,941,306	A	7/1990	Pfaffmann et al.	5,788,112	A	8/1998	Bacon et al.	
4,966,780	A	10/1990	Hangraves et al.	5,803,286	A	9/1998	Pfefferkorn et al.	
4,984,414	A	1/1991	Pfaffmann et al.	5,806,703	A	9/1998	Grandi	
4,993,572	A	2/1991	Ochs	5,833,115	A	11/1998	Eiten	
4,993,602	A	2/1991	Casey	5,908,127	A	6/1999	Weick et al.	
4,996,826	A	3/1991	Pfaffmann et al.	5,921,425	A	7/1999	Markey	
4,997,097	A	3/1991	Krautkramer	D413,200	S	8/1999	Baker	
5,002,197	A	3/1991	Ponsi	5,944,211	A	8/1999	Woodnorth et al.	
5,002,199	A	3/1991	Frahm	5,972,292	A	10/1999	DeMeo	
5,025,123	A	6/1991	Pfaffmann et al.	5,988,417	A	11/1999	Cheng et al.	
5,029,723	A	7/1991	Lo	6,663,284	B2	12/2003	Buckingham et al.	
5,031,675	A	7/1991	Lindgren	6,733,803	B1 *	5/2004	Vidkjaer	426/62
5,040,698	A	8/1991	Ramsey et al.					
5,067,622	A	11/1991	Garver et al.					

US 7,169,418 B2

Page 3

6,861,086 B2 3/2005 Buckingham et al.

FOREIGN PATENT DOCUMENTS

EP	0 144 011 B2	6/1985
WO	WO 96/40570	12/1996
WO	WO 97/38853 A1	10/1997
WO	WO 01/13407 A2	2/2001

OTHER PUBLICATIONS

Encyclopedia of Polymer Science and Technology, vol. 6. John Wiley and Sons, 1969.*

Photographs of a 48 oz. (1.36kg) bottle for Chi—Chi's Fiesta Salsa, sold by Chi—Chi's, Inc., and Hormel Foods, LLC. Photographs labeled and attached.

* cited by examiner

U.S. Patent

Jan. 30, 2007

Sheet 1 of 7

US 7,169,418 B2

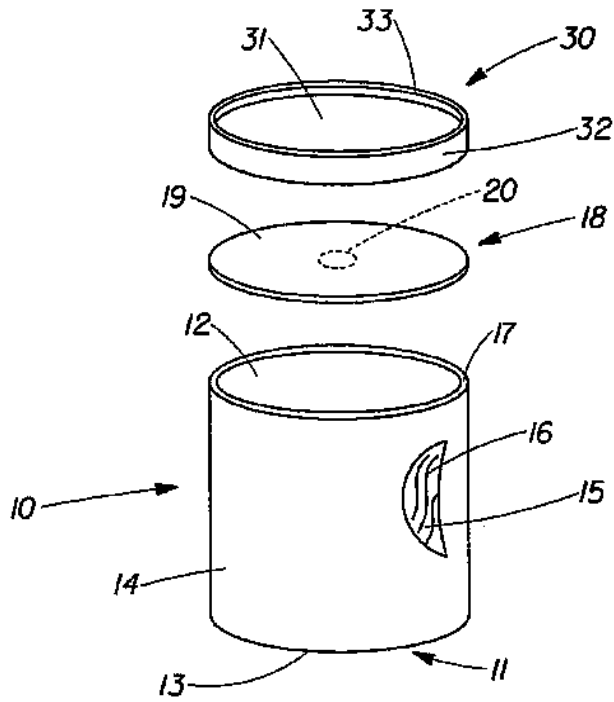


Fig. 1

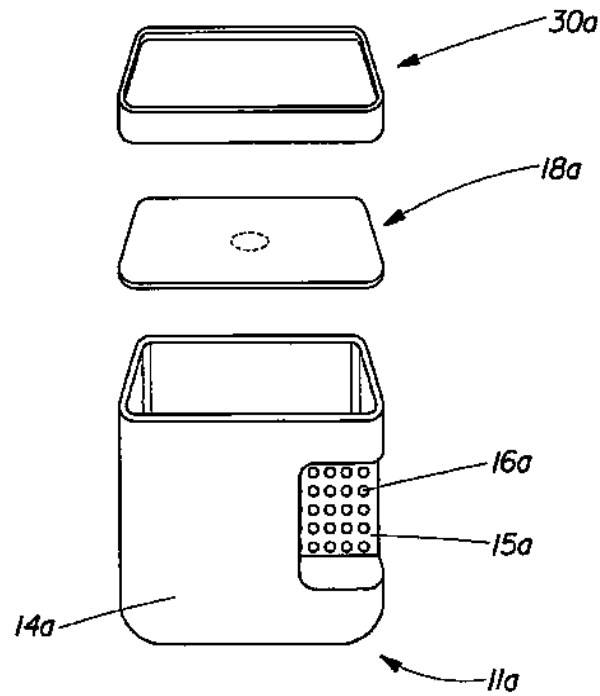


Fig. 2

U.S. Patent

Jan. 30, 2007

Sheet 2 of 7

US 7,169,418 B2

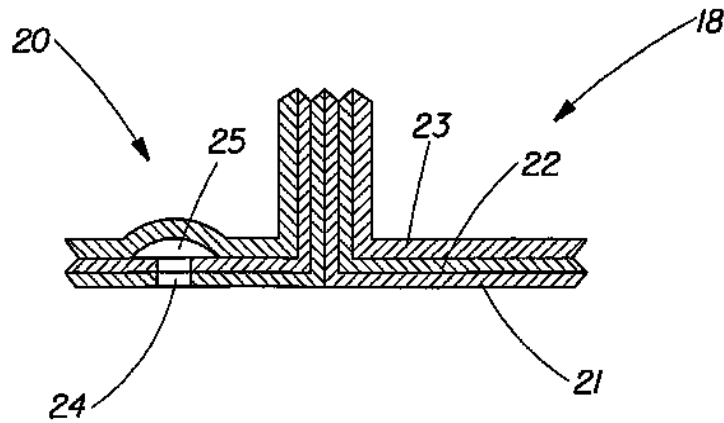


Fig. 3

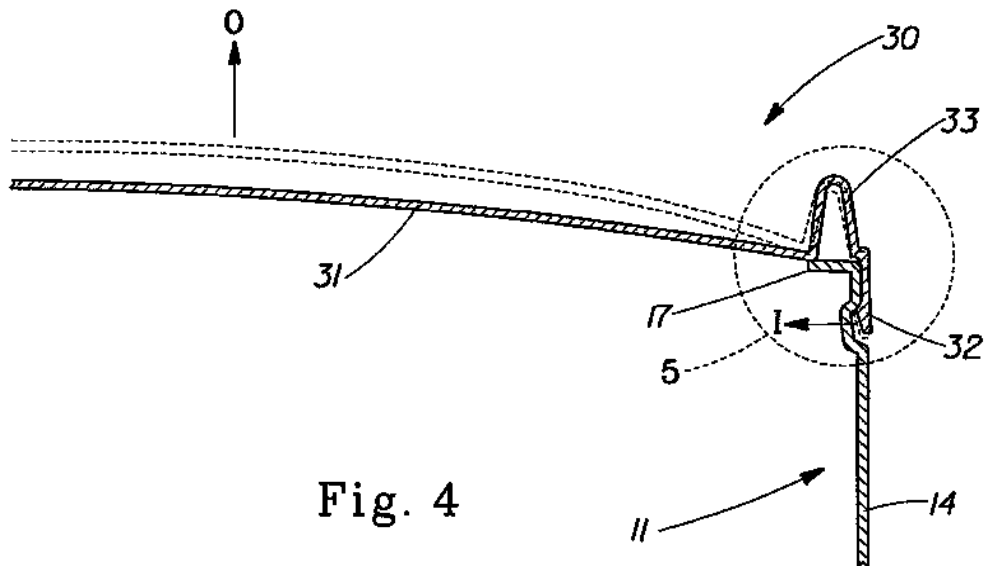


Fig. 4

U.S. Patent

Jan. 30, 2007

Sheet 3 of 7

US 7,169,418 B2

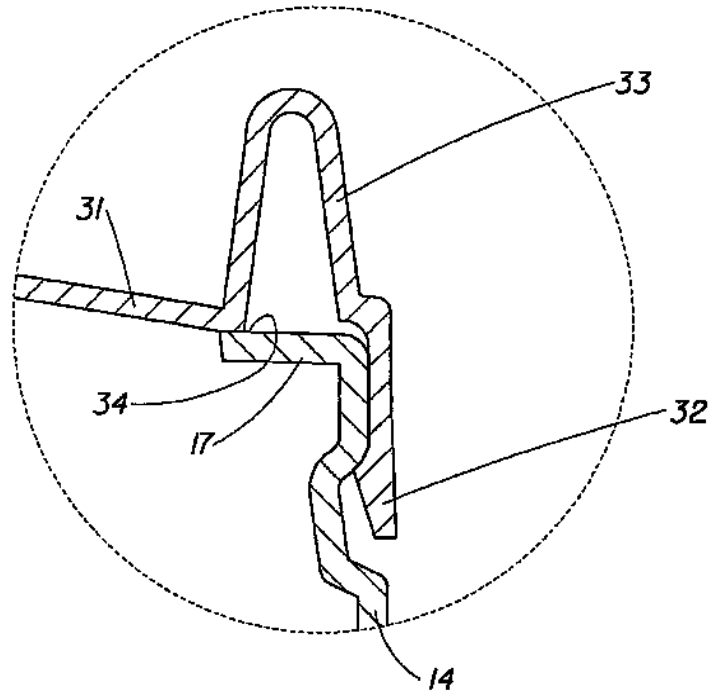


Fig. 5

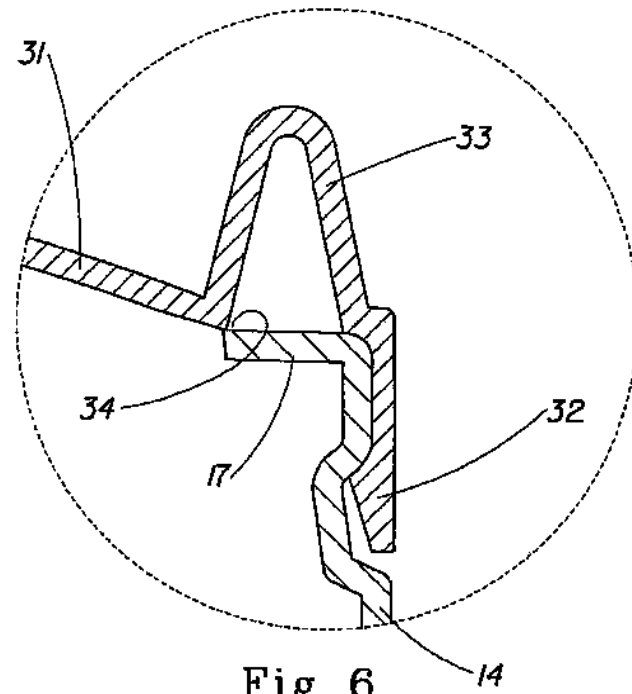


Fig. 6

U.S. Patent

Jan. 30, 2007

Sheet 4 of 7

US 7,169,418 B2

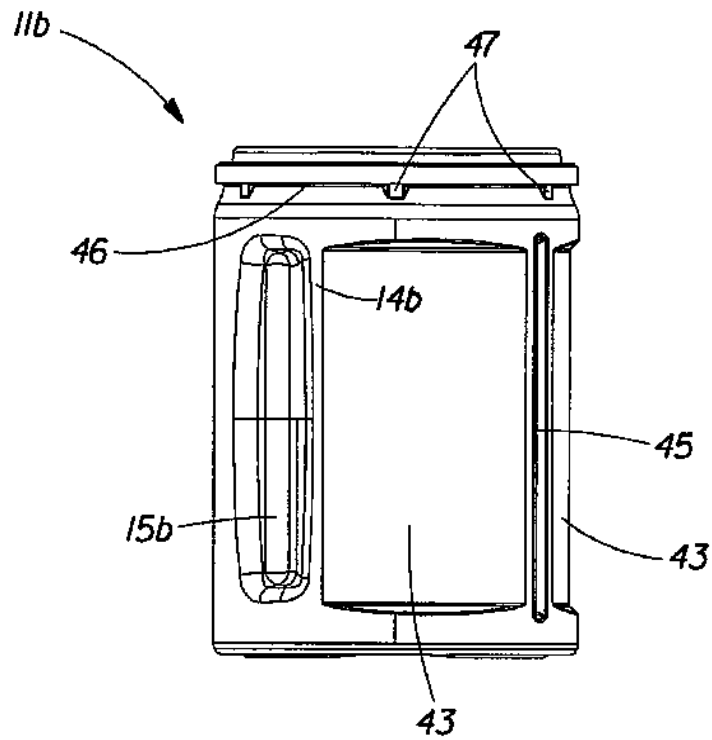


Fig. 7

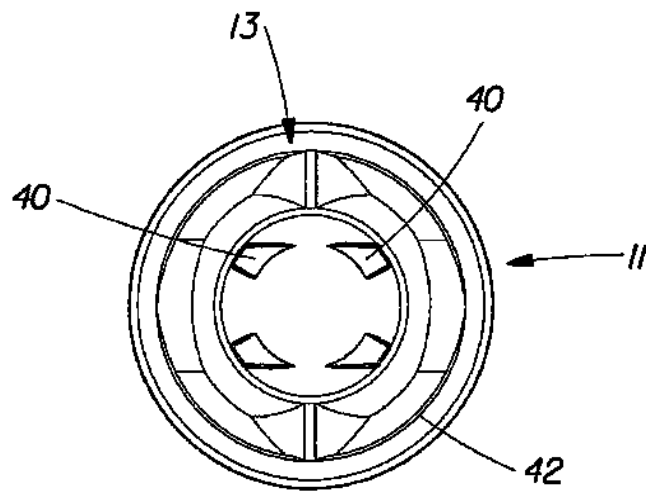


Fig. 7A

U.S. Patent

Jan. 30, 2007

Sheet 5 of 7

US 7,169,418 B2

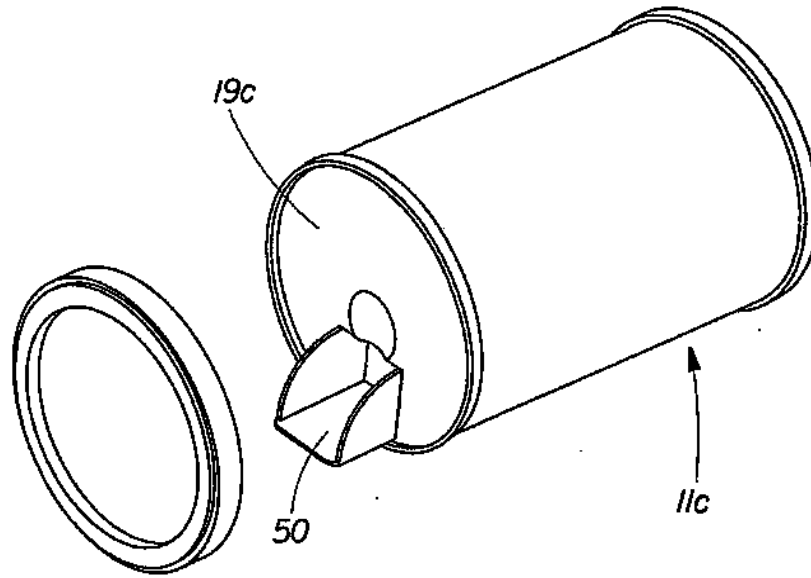


Fig. 8

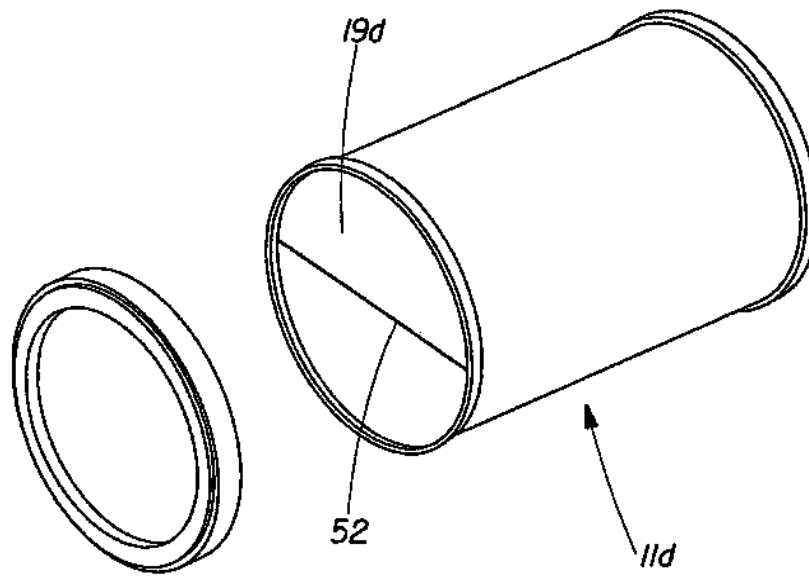


Fig. 8A

U.S. Patent

Jan. 30, 2007

Sheet 6 of 7

US 7,169,418 B2

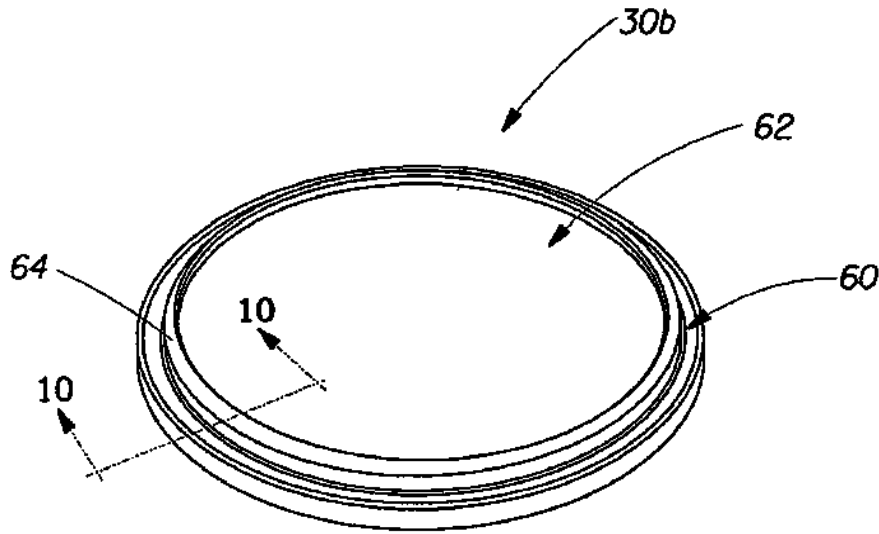


Fig. 9

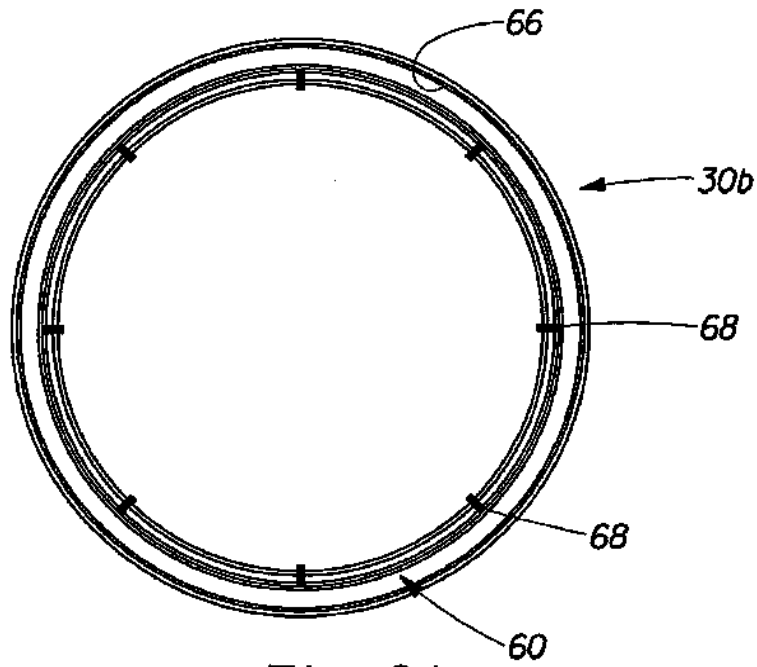


Fig. 9A

U.S. Patent

Jan. 30, 2007

Sheet 7 of 7

US 7,169,418 B2

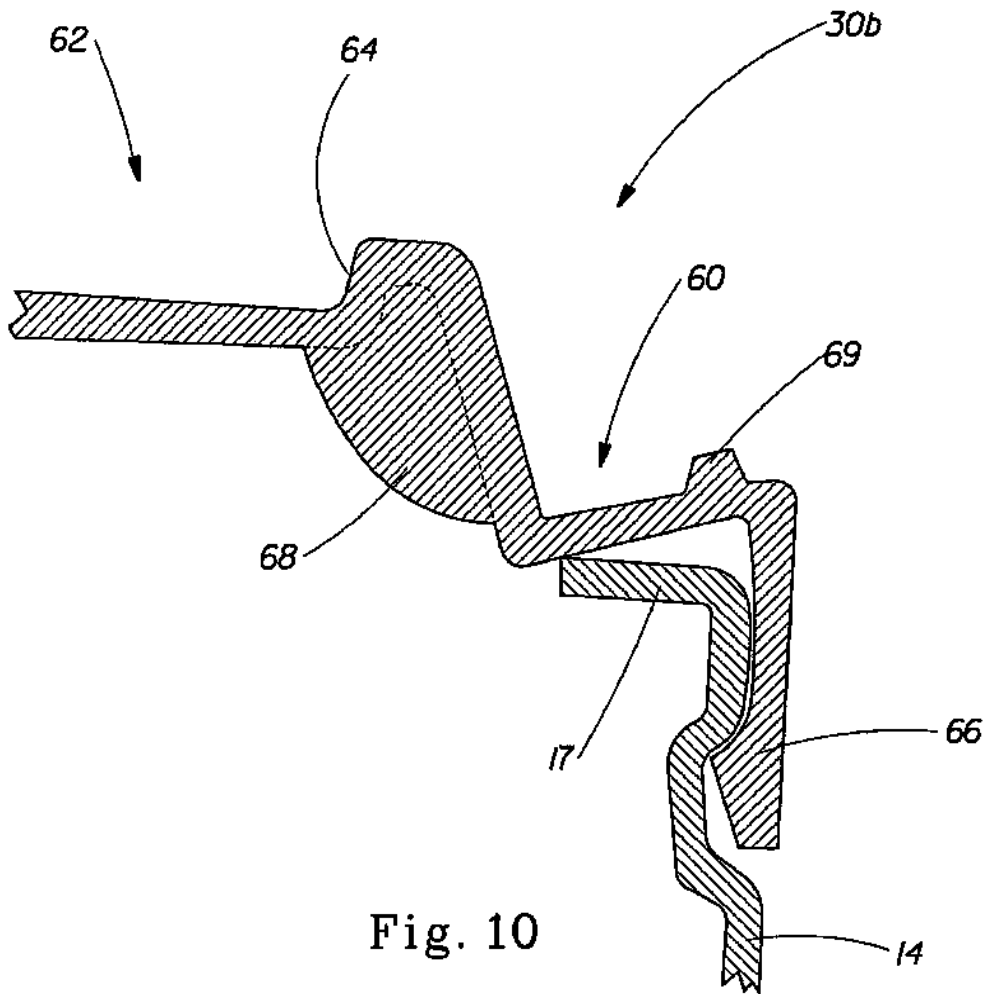


Fig. 10

US 7,169,418 B2

1
**PACKAGING SYSTEM TO PROVIDE FRESH
 PACKED COFFEE**

PRIORITY

This application claims priority to Provisional Application No. 60/295,666 filed on Jun. 4, 2001, the entirety of which is hereby incorporated by reference.

FIELD OF THE INVENTION

The present invention relates to a fresh packaging system useful for packing fresh roast and ground coffee. The present invention still further relates to a more convenient, lightweight, and handled container that provides increased strength per mass unit of plastic for the transport of freshly roast and ground coffee. More particularly, the present invention relates to a method for providing a consumer with a fresher packed roast and ground coffee that provides a more pleasant aroma upon opening of the package and a perceived longer-lasting aroma after repeated and sustained openings.

BACKGROUND OF THE INVENTION

Packages such as cylindrical cans for containing a particulate product under pressure, such as roast and ground coffee, are representative of various articles to which the present invention is applicable. It is well known in the art that freshly roasted and ground coffee evolves substantial amounts of oils and gases, such as carbon dioxide, particularly after the roasting and grinding process. Therefore, roast and ground coffee is usually held in storage bins prior to final packing to allow for maximum off gassing of these volatile, natural products. The final coffee product is then placed into a package and subjected to a vacuum packing operation.

Vacuum packing the final coffee product results in reduced levels of oxygen in the headspace of the package. This is beneficial, as oxygen reactions are a major factor in the staling of coffee. A common package used in the industry is a cylindrical, tin-plated, and steel stock can. The coffee is first roasted, and then ground, and then vacuum packed within a can, which must be opened with a can opener, common to most households.

Packing coffee immediately after roasting and grinding provides substantial process savings, as the coffee does not require storage to complete the off-gas process. Also, the off-gas product usually contains high quantities of desirable volatile and semi-volatile aromatic compounds that easily volatilize and prevent the consumer from receiving the full benefit of the coffee drinking process. Furthermore, the loss of these aromatic compounds makes them unavailable for release in a standard container; thereby preventing the consumer from the full reception of the pleasurable burst of aroma of fresh roast and ground coffee. This aroma burst of volatile compounds is much more perceptible in a pressurized package than in a vacuum packed package.

It is therefore an object of the present invention to provide a handled package for roast and ground coffee that provides a lighter weight, fresher packing, easier-opening, peelable seal, and "burpable" closure alternative to a standard heavy can.

2
SUMMARY OF THE INVENTION

The present invention relates to a fresh packaging system for roast and ground coffee. The packaging system comprises a container with a closed bottom, an open top, and a body enclosing a perimeter between the bottom and the top. The top, bottom, and body together define an interior volume. A protuberance is continuously disposed around the perimeter of the body proximate to the top and forms a ridge external to the body. A flexible closure is removably attached and sealed to the protuberance. The container bottom and container body are constructed from a material having a tensile modulus number ranging from at least about 35,000 pounds per square inch (2,381 atm) to at least about 650,000 pounds per square inch (44,230 atm). The container has a top load capacity of at least about 16 pounds (7.3 Kg).

The present invention also relates to a method for packing coffee using the fresh packaging system for roast and ground coffee. The method steps include filling the container with roast and ground coffee, flushing the container with an inert gas, and, sealing the container with the flexible closure.

The present invention also relates to an article of manufacture that provides the end user with beneficial coffee aroma characteristics. The article comprises a closed bottom, an open top, and a body forming an enclosed perimeter between said bottom and top. The bottom, top, and body together define an interior volume. The body includes a protuberance continuously disposed around the perimeter of the body proximate to the top. The bottom and body are constructed from a polyolefin. A flexible closure is removably attached to the protuberance so that the closure forms a seal with the protuberance. Roast and ground coffee is contained within the interior volume, and, the article of manufacture exhibits an overall coffee aroma value of at least about 5.5.

BRIEF DESCRIPTION OF THE DRAWINGS

FIG. 1 is an exploded perspective view of a preferred embodiment of the fresh packing system in accordance with the present invention;

FIG. 2 is an exploded perspective view of an alternative embodiment of the fresh packing system;

FIG. 3 is a cross-sectional view of an exemplary closure and one-way valve assembly for the fresh packing system;

FIG. 4 is a cross-sectional view of an exemplary overcap assembly for a fresh packing system;

FIG. 5 is an expanded, cross-sectional view of the region labeled 5 in FIG. 4 of the overcap in an applied position;

FIG. 6 is an expanded, cross-sectional view of the region labeled 5 in FIG. 4 of the overcap in an expanded position;

FIG. 7 is an elevational view of an alternative embodiment of the fresh packing system;

FIG. 7A is a bottom planar view of the embodiment of FIG. 7;

FIG. 8 is a perspective view of an alternative embodiment of the fresh packing system;

FIG. 8a is a perspective view of an alternative embodiment of the fresh packing system;

FIG. 9 is an isometric view of an alternative exemplary overcap for use with a fresh packing system;

FIG. 9a is a bottom planar view of the alternative exemplary overcap of FIG. 9; and,

FIG. 10 is a cross-sectional view of the region labeled 10 in FIG. 9 in contact with a fresh packaging system

US 7,169,418 B2

3

DETAILED DESCRIPTION OF THE
INVENTION

The present invention is related to a fresh packaging system for roast and ground coffee. The packaging system comprises a container comprising a closed bottom, and open top and a body having an enclosed perimeter between the bottom and the top where the top, bottom, and body together define an interior volume. A flexible closure is removably attached and sealed to a protuberance disposed around the perimeter of the body proximate to the top. The container bottom and body are constructed from a material having a tensile modulus number ranging from at least about 35,000 (2,381 atm) pounds per square inch to at least about 650,000 pounds per square inch (44,230 atm), which provides a top load capacity of at least about 16 pounds (7.3 Kg).

The invention is more generally related to a method for the packing of coffee using the container of the present invention. The method steps include filling the container system described above with roast and ground coffee, flushing the container with an inert gas, and, sealing the container with a flexible closure.

The invention is also related to an article of manufacture that provides the end user with beneficial coffee aroma characteristics. The article comprises a closed bottom, an open top, and a polyolefin body forming an enclosed perimeter between said bottom and top together defining an interior volume. The body includes a protuberance continuously disposed around the perimeter of the body proximate to the top. A flexible closure is removably attached to the protuberance so that the closure forms a seal with the protuberance. Roast and ground coffee is contained within the interior volume and, the article of manufacture has an overall coffee aroma value of at least about 5.5. (A method for measuring the overall coffee aroma value is described in the Test Methods section, *infra*.)

The purpose of the present invention, inventive method, and article of manufacture is to provide a useful benefit to the user that includes, but is not limited to, providing a roast and ground coffee with a perceived more fresh and aromatic flavor. Such a container system of the present invention also provides an easy to use and low cost means of delivery of a roast and ground coffee to an end user.

Preferably, but optionally, the container has a handle element disposed thereon. More preferably the handle element is integral with the body of the container. This handle element facilitates gripping of the container system by the end user. This gripping is particularly useful for users with small hands or hands in a weakened condition due to illness, disease, or other medical malady.

Optionally, but preferably, the present invention features a one-way valve located within the closure to release excess pressure built up within the container due to the natural off gas process of roast and ground coffee. It is also believed that changes in external temperature and altitude can also cause the development of pressure internal to the container. The one-way valve is selected to release coffee off gas in excess of a predetermined amount however, remains sealed after such a release, thereby retaining an aromatically pleasing amount of off gassed product within the container.

Another optional, but preferred, feature of the present invention is an overcap placed over the closure. The overcap can comprise a dome, or cavity, that allows positive, outward deformation of the closure due to the pressure build-up within the container. The overcap is also air tight and flexible to allow for easy application in manufacture, either with, or without, a closure, and by the end user, after end user

4

removal, of a closure. The flexible overcap also allows the end user to remove excess air by compressing the dome, thereby releasing excess ambient air from the previously open container (burping). The overcap also provides for a tight seal against the rim of the container after opening by the end user. This tight seal prevents pollution of the rim, resulting in an undesirable excretion of the overcap after application. The overcap can also optionally allow for stacking several container embodiments when the closure and the dome portion of the overcap are at a point of maximum deflection. The overcap also optionally has a vent to allow for easy removal of vented off gas product trapped between the closure and overcap assemblies, but still allows for "burping."

Also, the overcap can have a rib disposed proximate to and along the perimeter of the overcap defining an inner dome portion and an outer skirt portion. The rib forms a hinge-like structure so that outward deflection of the inner dome portion caused by deflection of the closure due to coffee off gassing causes the rib to act as a cantilever for the skirt portion. Thus, outward deflection of the dome portion causes the skirt portion to deflect inwardly on an outer portion of the container wall, resulting in an improved seal characteristic and improves retaining forces of the overcap with respect to the container.

The Container

Referring to FIG. 1, fresh packaging system 10, generally comprises a container 11 made from a compound, for example, a polyolefin. Exemplary and non-limiting compounds and polyolefins that can be used for producing the present invention include polycarbonate, low-density polyethylene, high-density polyethylene, polyethylene terephthalate, polypropylene, polystyrene, polyvinyl chloride, copolymers thereof, and combinations thereof. It should be realized by one skilled in the art that container 11 of the present invention can take any number of shapes and be made of any number of suitable materials. Container 11 generally comprises an open top 12, a closed bottom 13, and a body portion 14. Open top 12, closed bottom 13, and body portion 14 define an inner volume in which a product is contained. Also, closed bottom 13 and body portion 14 are formed from a material having a tensile modulus ranging from at least about 35,000 pounds per square inch (2,381 atm) to at least about 650,000 pounds per square inch (44,230 atm), more preferably from at least about 40,000 pounds per square inch (2,721 atm) to at least about 260,000 pounds per square inch (17,692 atm), and most preferably ranging from at least about 95,000 pounds per square inch (6,464 atm) to at least about 150,000 pounds per square inch (10,207 atm). Tensile modulus is defined as the ratio of stress to strain during the period of elastic deformation (i.e., up to the yield point). It is a measure of the force required to deform the material by a given amount and is thus, a measure of the intrinsic stiffness of the material.

It is preferred that bottom portion 13 be disposed concave inwardly, or recessed, towards the inner volume so that undesirable deflections caused by pressure increases within the inner volume are minimized. If the bottom 13 expands outwardly sufficiently, causing the bottom 13 to concave outwardly, then the container 11 will develop what is generally referred to in the art as "rocker bottom." That is, if the bottom 13 deflects outwardly so that the container system 10 will not be stable while resting on a flat surface, fresh packaging system 10 will tend to rock back and forth.

As shown in FIG. 7A, a plurality of protrusions 40 can be disposed on the closed bottom 13 of container 11 about the

US 7,169,418 B2

5

longitudinal axis of container 11. In a preferred embodiment, protrusions 40 form an oblique angle with the closed bottom 13 of container 11. If the container 11 assumes a cylindrical shape, it is believed that protrusions 40 can be rectilinearly disposed about the diameter of the closed bottom 13 of container 11. However, one of skill in the art would realize that protrusions 40 could be disposed on the closed bottom 13 of container 11 in any geometrical arrangement. Without wishing to be bound by theory, it is believed that protrusions 40 can protrude past the geometry of the closed bottom 13 of container 11 upon an outward deflection of the closed bottom 13 of container 11. In this way container 11 can maintain a stable relationship with other surfaces should "rocker bottom" be realized upon the development of an outward pressure from within container 11. While the preferred embodiment utilizes four protrusions 40 disposed on closed bottom 13, it should be realized by one of skill in the art that virtually any number of protrusions 40 could be disposed on closed bottom 13 to yield a stable structure upon outward deflection of closed bottom 13. Additionally, protrusions 40 could be a square, triangular, elliptical, quad-lobe, pentaloid, trapezoidal, arranged in multiply nested configurations, provided in an annular ring about closed bottom 13, and combinations thereof.

Again referring to FIG. 7A, an annular ring 42, or any other raised geometry, including interrupted geometrical configurations, can be disposed on closed bottom 13 of container 11. Annular ring 42 could be dimensioned to facilitate nesting, or stacking, of multiple embodiments of containers 11. In other words, annular ring 42 could be designed to provide serial stacking of a container 11 onto the overcap 30 of the preceding, or lower, container 11. Without wishing to be bound by theory, it is believed that the facilitation of nesting by the use of annular ring 42 disposed on closed bottom 13 of container 11 provides enhanced structural stability.

It is also believed that the closed bottom 13 of container 11 could be designed, in what is known to those of skill in the art, as a quad lobe, or pentaloid. Again, without desiring to be bound by theory, it is believed that such a quad lobe, or pentaloid, design could provide enhanced ability to resist the deformation of closed bottom 13 of container 11 due to internal pressures developed within container 11.

Referring again to FIG. 1, container 11 can be cylindrically shaped with substantially smooth sides. Handle portions 15 are respectively formed in container body portion 14 at arcuate positions. A plurality of anti-slip strips 16 can be formed at a predetermined interval within handle portions 15. Handle portions 15 are formed as would be known to one skilled in the art to provide a gripping surface at a most efficacious position to enable users with small hands or debilitating injuries or maladies to grip container portion 11 with a minimum of effort. Further, container 11 can be readily grasped by hand due to the configuration described above. Additionally, container 11 can have a protuberance 17 in the form of a rim like structure disposed at the open end of container 11. Protuberance 17 can provide a surface with which to removeably attach closure 18 and provide a locking surface for skirt portion 32 of overcap 30.

In an alternative embodiment as shown in FIG. 2, container 11a is parallelepiped shaped with substantially smooth sides. Handle portions 15a are respectively formed in container body portion 14a at arcuate positions. A plurality of gripping projections 16a are formed at a predetermined interval within handle portions 15a. Corresponding closure 18a and overcap 30a are fitted on container 11a as would be known to one skilled in the art.

6

In an alternative embodiment, as shown in FIG. 7, handle portions 15b can preferably be symmetrical. Without desiring to be bound by theory, it is believed that symmetrical handle portions 15b could prevent inversion of the handle portions 15b upon an increase in pressure from within container 11b. It is believed that symmetrically incorporated handle portions 15b provides for the uniform distribution of the internal pressure, developed within container 11, throughout handle portion 15b.

As is also shown in the alternative embodiment of FIG. 7, all portions of handle portions 15b are presented as either parallel to the longitudinal axis of container 11b or perpendicular to the longitudinal axis of container 11b. Without desiring to be bound by theory, it is believed that handle portions 15b, arranged to provide all component portions of handle portions 15b to be either parallel or perpendicular to the longitudinal axis of container 11b, could be less susceptible to bending forces due to internal pressures developed within container 11b. This could aid in the prevention of catastrophic failure of the container due to the pressures generated internally to container 11b.

Further, providing container 11b with handle portions 15b in a recessed configuration with respect to the body portion 14b of container 11b could require less force from the end user to maintain a firm grip on handle portions 15b of container 11b. Additionally, recessed handle portions 15b could aid in the prevention of an end user supplying extraneous force to the external portions of container 11b thereby causing catastrophic failure or deformation of container 11b.

Referring again to FIG. 1, container 11 exhibits superior top load strength per mass unit of plastic. With the present invention, filled and capped containers can be safely stacked one upon another without concern that the bottom containers will collapse or be deformed. Often, containers are palletized, by which several containers are stacked in arrays that take on a cubic configuration. In the order of 60 cases, each weighing about 30 pounds (13.6 Kg) can be loaded onto a pallet. In certain instances, these pallets can be stacked one upon another. It will be appreciated that the bottommost containers will be subjected to extraordinary columnar forces. Traditionally, polymeric containers are not capable of withstanding such high column forces. Thus, to avoid collapsing or buckling of these stacking situations, the top load resistance of each container should be at least about 16 pounds (7.3 Kg) when the containers are in an ambient temperature and pressure environment. More preferably, each container should exhibit a top load resistance of at least about 48 pounds (21.8 Kg) in accordance with the present invention.

As shown in FIG. 7, the body portion 14b of container 11b can have at least one region of deflection 43 placed therein to isolate deflection of the container 11b due to either pressures internal to container 11b or pressures due to forces exerted upon container 11b. As shown, at least one region of deflection 43 could generally define rectilinear regions of container 11b defined by a cylindrical wall. However, one of skill in the art would realize that at least one region of deflection 43 incorporated into body portion 14b could assume any geometry, such as any polygon, round, or non-uniform shape. Without wishing to be bound by theory, it is believed that a purely cylindrical container 11b, having a uniform wall thickness throughout, will resist compression due to pressure exerted from within container 11b or external to container 11b. However, without desiring to be bound by theory, it is believed that when applied forces exceed the strength of the container wall of purely cylindrical container 11b, deflection could be exhibited in an undesirable denting

US 7,169,418 B2

7

or buckling. Any non-uniformities present in a purely cylindrical container 11*b*, such as variations in wall thickness, or in the form of features present, such as handle portions 15*b*, can cause catastrophic failure upon a differential pressure existing between regions external to container 11*b* and regions internal to container 11*b*.

However, the incorporation of at least one region of deflection 43 is believed to allow flexion within the body portion 14*b* of container 11*b*. Thus, it is believed that body portion 14*b* can deform uniformly without catastrophic failure and can resist undesirable physical and/or visual effects, such as denting. In other words, the volume change incurred by container 11*b* due to internal, or external, pressures works to change the ultimate volume of the container 11*b* to reduce the differential pressure and thus, forces acting on the container wall. It is also believed, without desiring to be bound by theory, that the incorporation of a solid or liquid, or any other substantially incompressible material, can provide substantial resistance to the inward deflection of at least one region of deflection 43. For example, the inclusion of a powder, such as roast and ground coffee, could provide resistance to the inward deflection of at least one region of deflection 43, thus enabling at least one region of deflection 43 to remain substantially parallel to the longitudinal axis of container 11*b* and thereby providing an effective increase in the top load capability of container 11*b*. The peelable laminate seal also deflects with external pressure changes further reducing the pressure load on the container.

In a non-limiting, but preferred embodiment, container 11*b* has at least one region of deflection 43 that can be presented in the form of rectangular panels. The panels have a radius that is greater than the radius of container 11*b*. The panels are designed to have less resistance to deflection than that of the region of container 11*b* proximate to the rectangular panels. Thus, any movement exhibited by the panels is isolated to the panels and not to any other portion of container 11*b*.

As shown in FIG. 1, without desiring to be bound by theory, it is believed that the chime should be sufficient to allow container 11 to compress under vacuum by adapting to base volume changes and will improve the top loading capability of container 11. However, it is further believed that the chime should be as small as is practicable as would be known to one of skill in the art.

As shown in FIG. 7, the body portion 14*b* of container 11*b* can also have at least one rib 45 incorporated therein. It is believed that at least one rib 45 can assist in the effective management of isolating the movement of at least one panel 43 by positioning at least one rib 45 parallel to the longitudinal axis of container 11*b* and proximate to at least one panel 43 in order to facilitate the rotational movement of at least one panel 43 upon an inward, or outward, deflection of at least one panel 43. Further, it is believed that at least one rib 45 can also provide added structural stability to container 11*b* in at least the addition of top load strength. In other words, at least one rib 45 could increase the ability of container 11*b* to withstand added pressure caused by the placement of additional containers or other objects on top of container 11*b*. One of skill in the art would be able to determine the positioning, height, width, depth, and geometry of at least one rib 45 necessary in order to properly effectuate such added structural stability for container 11*b*. Further, it would be known to one of skill in the art that at least one rib 45 could be placed on container 11*b* to be parallel to the longitudinal axis of container 11*b*, annular about the horizontal axis of container 11*b*, or be of an

8

interrupted design, either linear or annular to provide the appearance of multiple panels throughout the surface of container 11*b*.

Additionally, container 11*b* can generally have a finish 46 incorporated thereon. In a preferred embodiment, the finish 46 is of an annular design that is believed can provide additional hoop strength to container 11*b* and surprisingly, can provide a finger well 44 to assist the user in removal of overcap 30. Further, it is possible for one of skill in the art to add ribs 47 to finish 46 in order to provide further strength to container 11*b* in the form of the added ability to withstand further top loading. In a preferred embodiment, ribs 47 are disposed parallel to the horizontal axis of container 11*b* and perpendicular to finish 46.

Container 11, as shown in FIG. 1 is preferably produced by blow molding a polyolefinic compound. Polyethylene and polypropylene, for example, are relatively low cost resins suitable for food contact and provide an excellent water vapor barrier. However, it is known in the art that these materials are not well suited for packaging oxygen-sensitive foods requiring a long shelf life. As a non-limiting example, ethylene vinyl alcohol (EVOH) can provide such an excellent barrier. Thus, a thin layer of EVOH sandwiched between two or more polyolefinic layers can solve this problem. Therefore, the blow-molding process can be used with multi-layered structures by incorporating additional extruders for each resin used. Additionally, the container of the present invention can be manufactured using other exemplary methods including injection molding and stretch blow molding.

In a preferred embodiment in accordance with the present invention, container 11 of FIG. 1, container 11*a* of FIG. 2, and container 11*b* of FIG. 7, can be blow molded from a multi-layered structure to protect an oxygen barrier layer from the effects of moisture. In a preferred embodiment, this multi-layered structure can be used to produce an economical structure by utilizing relatively inexpensive materials as the bulk of the structure.

Another exemplary and non-limiting example of a multi-layered structure used to manufacture the container of the present invention would include an inner layer comprising virgin polyolefinic material. The next outward layer would comprise recycled container material, known to those skilled in the art as a 'regrind' layer. The next layers would comprise a thin layer of adhesive, the barrier layer, and another adhesive layer to bind the barrier layer to the container. The final outer layer can comprise another layer of virgin polyolefinic material.

A further exemplary and non-limiting example of a multi-layered structure used to manufacture the container of the present invention would include an inner layer comprising virgin polyolefinic material. The next layers would comprise a thin layer of adhesive, the barrier layer, and another adhesive layer to bind the barrier layer to the container. The next outward layer would comprise recycled container material, known to those skilled in the art as a 'regrind' layer. The final outer layer can comprise another layer of virgin polyolefinic material. In any regard, it should be known to those skilled in the art that other potential compounds or combinations of compounds, such as polyolefins, adhesives and barriers could be used. Further, an oxygen scavenger can be incorporated into, or on, any layer of a multi-layered structure to remove any complexed or free oxygen existing within a formed container. Such oxygen scavengers can include oxygen scavenging polymers, complexed or non-complexed metal ions, inorganic powders and/or salts, and combinations thereof, and/or any compound capable of

US 7,169,418 B2

9

entering into polycondensation, transesterification, transamidization, and similar transfer reactions where free oxygen is consumed in the process.

Other such materials and processes for container formation are detailed in *The Wiley Encyclopedia of Packaging Technology*, Wiley & Sons (1986), herein incorporated by reference. Preferably, the inner layer of containers 11, 11a, and 11b are constructed from high-density polyethylene (HDPE).

A preferred polyolefinic, blow molded container in accordance with the present invention can have an ideal minimum package weight for the round containers of FIGS. 1 and 7, or the parallelepiped container of FIG. 2, and yet still provide the top load characteristics necessary to achieve the goals of the present invention. Exemplary materials (low-density polyethylene (LDPE), high density polyethylene (HDPE) and polyethylene terephthalate (PET)) and starting masses of these compounds that provide sufficient structural rigidity in accordance with the present invention are detailed in Table 1 below.

TABLE 1

Package Shape and Weight For a Given Material and a Defined Top Load (Empty) for a Nominal 3.0 L Container			
Package Configuration	Package Material & Tensile Modulus (psi/atm)	Package Weight 35 lb. Top Load (grams)	Package Weight 120 lb. Top Load (grams)
Parallelepiped	LDPE (40,000/2,721)	79 grams	146 grams
Parallelepiped	HDPE (98,000/6,669)	66 grams	123 grams
Parallelepiped	PET (600,000/40,828)	40 grams	74 grams
Round	LDPE (40,000/2,721)	51 grams	95 grams
Round	HDPE (98,000/6,669)	43 grams	80 grams
Round	PET (600,000/40,828)	26 grams	48 grams

It was surprisingly found that a container in accordance with the present invention that is filled with product and sealed to contain the final product has enhanced properties for the same starting compound weight. This provides a benefit in that it is now possible to use less starting material to provide the top load values in accordance with the present invention. Exemplary materials and starting masses of compounds (LDPE, HDPE, and PET) providing the necessary structural rigidity of a filled and sealed container in accordance with the present invention are detailed in Table 2.

TABLE 2

Package Shape and Weight For a Given Material and a Defined Top Load (Filled) for a Nominal 3.0 L Container			
Package Configuration	Package Material & Tensile Modulus (psi/atm)	Package Weight 35 lb. Top Load (grams)	Package Weight 120 lb. Top Load (grams)
Parallelepiped	LDPE (40,000/2,721)	72 grams	134 grams
Parallelepiped	HDPE (98,000/6,669)	61 grams	112 grams
Parallelepiped	PET (600,000/40,828)	37 grams	68 grams
Round	LDPE (40,000/2,721)	47 grams	87 grams

10

TABLE 2-continued

Package Shape and Weight For a Given Material and a Defined Top Load (Filled) for a Nominal 3.0 L Container			
Package Configuration	Package Material & Tensile Modulus (psi/atm)	Package Weight 35 lb. Top Load (grams)	Package Weight 120 lb. Top Load (grams)
Round	HDPE (98,000/6,669)	39 grams	73 grams
Round	PET (600,000/40,828)	24 grams	44 grams

Again referring to FIG. 1, protuberance 17, in the form of a rim like structure, disposed at the open end of container 11 may have textured surfaces disposed thereon. Textured surfaces disposed on protuberance 17 can comprise raised surfaces in the form of protuberances, annular features, and/or cross-hatching to facilitate better sealing of removable closure 19. Exemplary, but non-limiting, annular features may include a single bead or a series of beads as concentric rings protruding from the seal surface of protuberance 17. While not wishing to be bound by theory, it is believed that a textured surface on protuberance 17 can allow for the application of a more uniform and/or concentrated pressure during a sealing process. Textured surfaces can provide increased sealing capability between protuberance 17 and removable closure 19 due to any irregularities introduced during molding, trimming, shipping processes and the like during manufacture of container 11.

The Removable Closure

Again referring to FIG. 1, fresh packaging system 10 comprises a closure 18 that is a laminated, peelable seal 19 that is removably attached and sealed to container 11. Peelable seal 19 has a hole beneath which is applied a degassing valve, indicated as a whole by reference number 20. One-way valve 20 can be heat welded or glued to peelable seal 19.

In a preferred embodiment according to FIG. 3, the interior of peelable seal 19 to the outer side of peelable seal 19 is a laminate and comprises, in sequence, an inner film 21, such as polyethylene, a barrier layer 22, such as a metallized sheet, preferably metallized PET, metallized PE, or aluminum, and an outer film of plastic 23, such as PET. Inner film 21 is preferably formed from the same material as the outer layer of container 11. Thus, inner film 21 is preferably a polyolefin, and more preferably polyethylene (PE). Plastic outer film 23 is preferably produced from a material such as polyester. However, one skilled in the art would realize that other materials, such as a foil closure, and other stretchable and non-stretchable layer structures can be used and still remain within the scope of the present invention. Additionally, an oxygen scavenger, as described supra, can be incorporated into, or on, any layer of peelable seal 19 to remove free, or complexed, oxygen.

Both inner film 21 and barrier layer 22 are perforated, preferably by means of cuts, pricks, or stampings, to form flow opening 24, as shown in FIG. 3. In the area above the outlet opening, outer film 23 is not laminated to barrier layer 22, thereby forming longitudinal channel 25. Channel 25 extends the entire width of the laminate so that during manufacture, channel 25 extends to the edge of closure 18.

As a result, a very simple and inexpensive one-way valve 20 is formed by means of the non-laminated area of outer film 23 and outlet opening 24. The gases produced by the contents within container 11 may flow through valve 20 to

US 7,169,418 B2

11

the surrounding environment. Since an overpressure exists in container 11, and since outer film 23 usually adheres or at least tightly abuts barrier layer 22 because of the inner pressure, unwanted gases, such as oxygen, are prevented from flowing into container 11 and oxidizing the contents. Thus, outer film 23 serves as a membrane that must be lifted by the inner gas pressure in the packing in order to release gas. It is preferred that one-way valve 20 respond to pressures developed within container 11. This pressure can exceed 10 millibars, and preferably exceed 15 millibars, and more preferably would exceed 20 millibars, and most preferably, exceed 30 millibars.

Additionally, a small amount of liquid can be filled into channel 25. The liquid can be water, siloxane-based oils, or oil treated with an additive so that the oil is prevented from becoming rancid prior to use of the product. The pressure at which the release of internal off gas from container 11 occurs can be adjusted by varying the viscosity of the liquid within channel 25.

In an alternative, but non-limiting, embodiment, a one-way degassing valve can comprise a valve body, a mechanical valve element, and a selective filter as described in U.S. Pat. No. 5,515,994, herein incorporated by reference.

Closure 18 is preferably sealed to container 11 along a rim (protuberance) 17 of container 11. Preferable, but non-limiting, methods of sealing include a heat sealing method incorporating a hot metal plate applying pressure and heat through the closure material and the container rim, causing a fused bond. The peel strength achieved is generally a result of the applied pressure, temperature, and dwell time of the sealing process. However, it should be known to one skilled in the art, that other types of seals and seal methods could be used to achieve a bond with sufficient and effective seal strength, including, but not limited to, a plurality of annular sealing beads disposed on rim 17.

As shown in FIG. 8, in an alternative embodiment, peelable seal 19c of container 11c can include a pivotable pouring device 50. Pivotable pouring device 50 can be placed at any location on peelable seal 19a or at any position on container 11c. In a preferred embodiment, it is also believed that pivotable pouring device 50 could be disposed on a non-peelable seal located under peelable seal 19c in the interior volume of container 11c. This could enable a user to remove peelable seal 19c, exposing the non-peelable seal having the pivotable pouring device 50 disposed thereon. The user could then pivot the pivotable pouring device 50 to dispense a product contained within container 11c. After dispensing the product from container 11c via pivotable pouring device 50, the user could pivot the pivotable pouring device 50 to effectively close non-peelable seal, thereby effectively sealing container 11c. As would be known to one of skill in the art, exemplary, but non-limiting, examples of pivotable pouring device 50 include pouring spouts.

It is believed that pivotable pouring device 50 could have dimensions that facilitate the flow of product from container 11c, as would be known to one of skill in the art. A depression, slot, or other orifice can be disposed on either peelable seal 19c or the non-peelable seal to facilitate insertion of a user's appendage or other device to aid in the application of force necessary to pivot pivotable pouring device 50.

In the alternative embodiment of FIG. 8a, a striker bar 52, formed from either a portion of peelable seal 19d or a non-peelable seal, can be used to strike off excess product from a volumetric measuring device. Without wishing to be bound by theory, it is believed that striker bar 52 could facilitate more consistent measurements of product by

12

increase the packing density and volume present within the volumetric measurement device. Further, it is believed that the presence of the remainder of peelable seal 19d or a non-peelable seal can assist in the retention of the various aromatic and non-aromatic gasses that naturally evolves from a product held within container 11d.

The Overcap

Referring to FIG. 1, fresh packaging system 10 optionally comprises an overcap 30 comprised of dome portion 31, skirt portion 32, rib 33, and optionally vent 34. As a non-limiting example, overcap 30 is generally manufactured from a plastic with a low flexural modulus, for example, low-density polyethylene (LDPE), high-density polyethylene (HDPE), polyethylene (PE), polypropylene (PP), linear low-density polyethylene (LLDPE), polycarbonate, polyethylene terephthalate (PET), polystyrene, polyvinyl chloride (PVC), co-polymers thereof, and combinations thereof. This allows for an overcap 30 that has a high degree of flexibility, yet, can still provide sufficient rigidity to allow stacking of successive containers. By using a flexible overcap 30, mechanical application during packaging as well as re-application of overcap 30 to container 11 after opening by the consumer is facilitated. A surprising feature of a flexible overcap 30 is the ability of the end user to "burp" excess atmospheric gas from container 11 thereby reducing the amount of oxygen present. Further, an oxygen scavenger, as described supra, can be incorporated into, or on, any layer of peelable seal 19 to remove free, or complexed, oxygen.

Dome portion 31 is generally designed with a curvature, and hence height, to accommodate for an outward displacement of closure 18 from container 11 as a packaged product, such as roast and ground coffee, off gases. The amount of curvature needed in dome portion 31 can be mathematically determined as a prediction of displacement of closure 18. As a non-limiting example, a nominal height of dome portion 31 can be 0.242 inches (0.61 cm) with an internal pressure on closure 18 of 15 millibars for a nominal 6-inch (15.25 cm) diameter overcap. Further, the dome portion 31 is also generally displaceable beyond its original height as internal pressure rises in container 11, causing closure 18 to rise prior to the release of any off gas by one-way valve 20.

Referring to FIG. 4, overcap 30 comprises a rib 33. Rib 33 protrudes outwardly from the generally planar dome portion 31 and serves as a physical connection between dome portion 31 and skirt 32. Generally, skirt 32 has a hook shape for lockingly engaging protuberance 17 of container 11. Rib 33 isolates skirt 33 from dome portion 31, acting as a cantilever hinge so that outward deflections (O) of dome portion 31 are translated into inward deflections (I) of skirt 33. This cantilevered motion provides for an easier application of overcap 30 to container 11 and serves to effectively tighten the seal under internal pressures.

Additionally, rib 33 can allow for successive overcaps to be stacked for shipping. Skirt 32 preferably has a flat portion near the terminal end to allow for nesting of successive overcaps. Furthermore, rib 33 can extend sufficiently away from dome portion 31 so that successive systems may be stacked with no disruption of the stack due to a maximum deflection of closure 18 and the dome portion 31 of overcap 30. Without desiring to be bound by theory, it is believed that the downward load force rests entirely on rib 33 rather than across dome portion 31. Resting all downward forces on rib 33 also protects closure 18 from a force opposing the outward expansion of closure 18 from container 11 due to the off gas generated by a contained product.

US 7,169,418 B2

13

As shown in FIG. 5, an exploded view of the region around rib 33, dome portion 31 correspondingly mates with protuberance 17 of container 11. As a non-limiting example, container 11, after opening, requires replacement of overcap 30. A consumer places overcap 30 on container 11 so that an inside edge 34 of rib 33 contacts protuberance 17. A consumer then applies outward pressure on skirt 32 and downward pressure on dome portion 31, expectorating a majority of ambient air entrapped within the headspace of container 11. As shown in FIG. 6, the inside edge 34 of rib 33 then fully seats on protuberance 17, producing a complete seal. In a non-limiting example, protuberance 17 varies from -5° to $+5^\circ$ from a line perpendicular to body 14. Inside edge 34 is designed to provide contact with protuberance 17 for this variation. As another non-limiting example, overall travel of the inside edge 34 of rib 33 has been nominally measured at three millimeters for a protuberance 17 width of four to six millimeters. It has been found that when protuberance 17 is angularly disposed, protuberance 17 forms a sufficient surface to provide for sealing adhesive attachment of closure 18 to protuberance 17.

Additionally, the inside edge 34 of rib 33 can effectively prevent the pollution of protuberance 17, with or without closure 18 in place, thereby providing a better seal. As pressure within container 11 builds due to off gas from the entrained product, dome portion 31 of overcap 30 deflects outward. This outward deflection causes the inside edge 34 of rib 33 to migrate toward the center of container 11 along protuberance 17. This inward movement results in a transfer of force through rib 33 to an inward force on skirt portion 32 to be applied to container wall 14 and the outer portion of protuberance 17, resulting in a strengthened seal. Additionally, significant deflections of dome 31 due to pressurization of closure 18 causes the inside edge 34 to dislocate from protuberance 17 allowing any vented off gas to escape past protuberance 17 to the outside of overcap 30. This alleviates the need for a vent in overcap 30.

As shown in FIG. 9, in an alternative embodiment of overcap 30b comprises a plurality of nested cylindrical formations. In other words, in this alternative embodiment, the base of overcap 30b, having a diameter, d, forms a base portion 60 upon which the upper portion 62 of overcap 30b, having a diameter, d- Δ d, is disposed thereon. The upper portion 62 of overcap 30b can have an annular protuberance 64 disposed thereon. It is believed that the annular protuberance 64 disposed upon the upper portion 62 of overcap 30b can provide a form upon which annular ring 42 disposed upon closed bottom 13, can lockably nest.

As shown in FIGS. 9a and 10, in an alternative embodiment, the inner surface of the base portion 60 of overcap 30b can have an annular sealing ring 66 disposed thereon. Annular sealing ring 66 was surprisingly found to facilitate the mating of surfaces corresponding to annular sealing ring 66 and the finish portion of container 11. Mating the surfaces in this manner can provide an audible recognition that both surfaces have made contact and that a secure seal between protuberance 17 and the internal surface of overcap 30b has been made. A surprising feature of overcap 30b is the ability of the end user to "burp" excess atmospheric gas from container 11 thereby reducing the amount of oxygen present. Further, it is believed that an inner surface of base portion 60 mate with at least a portion of protuberance 17 so that there is provided an overlap of the inner surface of base portion 60 with protuberance 17. One of skill in the art would realize that any configuration of the annular sealing ring 66 may be used to provide the facilitation of the corresponding mating surfaces, including, but not limited to, interrupted annular

14

rings, a plurality of protuberances, and combinations thereof. It is also believed that providing a protuberance 69 in the form of an annular ring, plurality of protuberances, and other protuberances known to one of skill in the art, can provide a method of stacking a plurality of overcaps 30b prior to overcap 30b being applied to a container.

As shown in FIG. 9a, it was surprisingly found that a plurality of protuberances 68 disposed upon the inner surface of overcap 30b could facilitate the replacement of overcap 30b upon container 11. Without desiring to be bound by theory, it is believed that a plurality of protuberances 68 could facilitate overcap 30b replacement. It is further believed that the plurality of protuberances 68 disposed upon the inner surface of overcap 30b can effectively translate the horizontal component of a force applied to overcap 30b during replacement of overcap 30b upon container 11 through the plurality of protuberances 68 thereby allowing the plurality of protuberances 68 to effectively traverse over the edge of container 11 and ultimately aligning the longitudinal axis of overcap 30b with the longitudinal axis of container 11. It would be realized by one of skill in the art that the plurality of protuberances 68 could comprise a plurality of spherical, semi-spherical, elliptical, quarter-round, and polygonal projections, indentations, and combinations thereof.

Coffee Packaging

A preferred method of packaging a whole, roast coffee in accordance with the present invention to provide a more freshly packed coffee product, is detailed herein.

A whole coffee bean is preferably blended and conveyed to a roaster, where hot air is utilized to roast the coffee to the desired degree of flavor development. The hot roasted coffee is then air-cooled and subsequently cleaned of extraneous debris.

In a preferred, but non-limiting step, a whole roast coffee is cracked and normalized (blended) before grinding to break up large pieces of chaff. The coffee is then ground and cut to the desired particle size for the grind size being produced. The ground coffee then preferably enters a normalizer that is connected to the bottom of the grinder heads. In the normalizer, ground coffee is preferably slightly mixed, thus, improving the coffee appearance. As another non-limiting step, the coffee discharges from the normalizer and passes over a vibrating screen to remove large pieces of coffee.

The ground coffee is then preferably sent to a filler surge hopper and subsequently to a filling apparatus (filler). The filler weighs a desired amount of coffee into a bucket that in turn, dumps the pre-measured amount of coffee into a container manufactured as detailed supra. The container is then preferably topped-off with an additional amount of coffee to achieve the desired target weight.

The container is then preferably subjected to an inert gas purge to remove ambient oxygen from the container headspace. Non-limiting, but preferred, inert gases are nitrogen, carbon dioxide, and argon. Optionally, an oxygen scavenger, as described supra, and generally present in the form of a packet can be included within the container to provide removal of free or complexed oxygen. A closure, as disclosed supra, is placed on the container to effectively seal the contents from ambient air. Preferably the closure has a one-way valve disposed thereon. An overcap, disclosed supra, is then applied onto the container, effectively covering the closure and locking into the container sidewall ridge. The finished containers are then packed into trays, shrink wrapped, and unitized for shipping.

US 7,169,418 B2

15

Freshness

It is believed that the resulting inventive packaging system provides a consumer with a perceptively fresher packed roast and ground coffee that provides a stronger aroma upon opening of the package and the perception of a longer-lasting aroma that is apparent with repeated and sustained openings of the packaging system. Not wishing to be bound by any theory, it is believed that roast and ground coffee elutes gases and oils that are adsorbed onto the polyolefinic compound comprising the inside of the container and closure. Upon removal of the closure, the polyolefinic compound then evolves these adsorbed gases and oils back into the headspace of the sealed container. It is also believed that the inventive packaging system can also prevent the infiltration of deleterious aromas and flavors into the packaging system. Thus, the construction of the instant packaging system can be altered to provide the benefit of most use for the product disclosed therein. To this end, it is further believed that the packaging system can be utilized for the containment of various products and yet provide the benefits discussed herein.

Applicants characterize the surprising aroma benefits provided by the present article of manufacture in terms of the article's "overall coffee aroma value", which is an absolute characterization. Applicants also characterize the aroma benefits relative to a control article (a prior art metallic can, as described below). Such a characterization is referred to herein as the article's "differential coffee aroma value". The methods for measuring overall coffee aroma value and differential coffee aroma value are described in detail in the Test Method section infra. The article of manufacture will have an overall coffee aroma value of at least about 5.5. Preferably, the article will have an overall coffee aroma value of at least about 6, more preferably at least about 6.5, still more preferably at least about 7, and still more preferably at least about 7.5.

Preferably, the article of manufacture of the present invention will have a differential coffee aroma value of at least about 1.0, more preferably at least about 2.0, and most preferably at least about 2.8.

Test Method

A test container and an existing industry standard metallic container (control container) are packed with identical fresh roast and ground coffee product, prepared as stated above, and stored for 120 days prior to testing. Immediately prior to testing, the containers are emptied and wiped with a paper towel to remove excess roast and ground coffee product. Each container is then capped and let stand prior to testing in order to equilibrate. During testing, each container used is exchanged with another similarly prepared, but, unused container at one-hour intervals. A control container is a standard 603, tin-plated, 3-pound (1.36 Kg), vacuum-packed, steel can.

Individual panelists are screened for their ability to discriminate odors utilizing various standard sensory methodologies as part of their sensory screening. Panelists are assessed for aroma discriminatory ability using the gross olfactory acuity-screening test (universal version) as developed by Sensonics, Inc., for aroma. This test method involves a potential panelist successfully identifying aromas in a "scratch and sniff" context.

Forty successful, qualified panelists are then blindfolded and each evaluates a test container and a control container. Each blindfolded panelist smells a first container (either test container or control container) and rates the aroma on a 1 to 9 point scale (integers only) with reference to the following description: no aroma (1) to a lot of aroma (9). After a brief

16

relief period, the blindfolded panelist evaluates the second container. The range for overall aroma is again assessed by panelists using the same rating system.

The panel results for overall coffee aroma value are then tabulated and statistically evaluated. Standard deviations based on a Student T statistical test are calculated with 95% confidence intervals to note where statistically significant differences occur between the mean values of the two products tested. Exemplary and statistically adjusted results of a "blind test" panel using existing packaging methodologies for roast and ground coffee are tabulated in Table 3, as follows:

TABLE 3

Roast and Ground Coffee Sensory Panel Results for Comparing Inventive Articles vs. Existing Articles at 120 days at 70° F. (21° C.)

	Inventive Package (Plastic)	Standard Steel Package (Control)
No. Respondents	40	40
Amount of Coffee Aroma	7.3	4.5

Based upon this test panel, it was surprisingly found that the present articles of manufacture provide a perceived "fresher" roast and ground coffee end product for a consumer. The improvement in overall coffee aroma was increased from the control sample adjusted panel value of 4.5 to an adjusted panel value of 7.3 for the inventive article, resulting in a differential adjusted value of 2.8.

While particular embodiments of the present invention have been illustrated and described, it will be obvious to those skilled in the art that various changes and modifications may be made without departing from the spirit and scope of the invention. One skilled in the art will also be able to recognize that the scope of the invention also encompasses interchanging various features of the embodiments illustrated and described above. Accordingly, the appended claims are intended to cover all such modifications that are within the scope of the invention.

What is claimed is:

1. A packaging system comprising:
 - a container having a longitudinal axis and comprising a closed bottom, an open top, and a body having an enclosed perimeter between said bottom and said top; wherein said bottom, top, and body together define an interior volume;
 - wherein said body comprises at least one region of deflection disposed thereon, and wherein said region of deflection allows flexion and thereby has less resistance to flexing than the body of said container proximate to said region of deflection;
 - a protuberance continuously disposed around the perimeter of said body proximate to said top wherein said protuberance forms a ridge external to said body;
 - a handle disposed on said body; and
 - a flexible closure removably attached and sealed to said protuberance;
 - wherein said bottom and said body are constructed from a material having a tensile modulus number ranging from at least about 35,000 pounds per square inch (2,381 atm) to at least about 650,000 pounds per square inch (44,230 atm);

US 7,169,418 B2

17

wherein said container has a top load capacity of at least about 16 pounds (7.3 kg); and wherein said closure has a one-way valve disposed thereon.

2. The packaging system as claimed in claim 1 wherein said flexible closure comprises a foil.

3. The packaging system as claimed in claim 1 wherein said flexible closure is a laminate comprising a first layer, a second layer, and a barrier layer disposed therebetween.

4. The packaging system as claimed in claim 3 wherein said first layer is a polyolefin.

5. The packaging system as claimed in claim 4 wherein said valve is responsive to internal pressures within said container exceeding 10 millibars.

6. The packaging system as claimed in claim 5 wherein said valve is responsive to internal pressures within said container exceeding 20 millibars.

7. The packaging system as claimed in claim 6 wherein said valve is responsive to internal pressures within said container exceeding 30 millibars.

8. The packaging system as claimed in claim 1 wherein said bottom and said body are formed from a blow-moldable material.

9. The packaging system as claimed in claim 8 wherein said material is a polyolefin.

10. The packaging system as claimed in claim 8 wherein said blow-moldable material is selected from the group consisting of polycarbonate, low density polyethylene, high density polyethylene, polyethylene terephthalate, polypropylene, polystyrene, polyvinyl chloride, co-polymers thereof, and combinations thereof.

11. The packaging system as claimed in claim 1 wherein said material is a multi-layered structure.

12. The packaging system as claimed in claim 11 wherein said multi-layered structure further comprises a polyolefin layer proximate to said interior volume and at least one layer that is an oxygen barrier.

13. The packaging system as claimed in claim 12 wherein said polyolefin is selected from the group consisting of low density polyethylene, high density polyethylene, polypropylene, co-polymers thereof, and combinations thereof.

14. The packaging system as claimed in claim 1 wherein said handle is integral with said body.

15. The packaging system as claimed in claim 1 wherein said handle is substantially parallel to said longitudinal axis of said container.

16. The packaging system as claimed in claim 1 further comprising an overcap having a rib disposed proximate to and along the perimeter of said overcap, said rib defining an inner dome portion and an outer skirt portion of said overcap.

17. The packaging system as claimed in claim 16 wherein said rib has a height at least equal to the maximum displacement of said dome portion.

18. The packaging system as claimed in claim 16 wherein said overcap is constructed from a material selected from the group consisting of polycarbonate, low density polyethylene, high density polyethylene, polyethylene terephthalate, polypropylene, polystyrene, polyvinyl chloride, co-polymers thereof, and combinations thereof.

19. The packaging system of claim 1 wherein said at least one region of deflection is responsive to at least one force internal or external to said container.

20. The packaging system as claimed in claim 1 wherein said tensile modulus number ranges from at least about 40,000 pounds per square inch (2,721 atm) to at least about 260,000 pounds per square inch (17,692 atm).

18

21. The packaging system as claimed in claim 20 wherein said tensile modulus number ranges from at least about 90,000 pounds per square inch (6,124 atm) to at least about 150,000 pounds per square inch (10,207 atm).

22. The packaging system as claimed in claim 1 wherein coffee is placed therein.

23. The packaging system as claimed in claim 22 wherein said coffee is roast and pound.

24. The packaging system as claimed in claim 23 wherein said container containing said roast and ground coffee is flashed with an inert gas.

25. The packaging system as claimed in claim 24 wherein said inert gas is selected from the group consisting of nitrogen, carbon dioxide, argon, and combinations thereof.

26. The fresh packaging system as claimed in claim 1 wherein said top load capacity is at least about 48 pounds (21.8 Kg).

27. A method for packing coffee using the fresh packaging system of claim 1 comprising the steps of:

filling said container with roast and ground coffee; flushing said container with an inert gas; and, sealing said container with said flexible closure.

28. The method of claim 27 further comprising the step of: placing an overcap over said flexible closure, said overcap having a rib disposed proximate to and along the perimeter of said overcap, said rib defining an inner dome portion and an outer skirt portion of said cap.

29. The method of claim 27 further wherein said flexible closure further comprises a valve responsive to internal pressures within said container exceeding 10 millibars.

30. The method of claim 27 wherein said handle is integral with said body.

31. The packaging system of claim 1, wherein said container further comprises at least one rib parallel to the longitudinal axis, said rib adding structural stability to said container with respect to top load capacity.

32. The packaging system of claim 31 wherein said at least one region of deflection is in the form of a rectangular panel and said at least one rib is proximate thereto.

33. An article of manufacture comprising:

a closed bottom; an open top; a body forming an enclosed perimeter between said bottom and top;

wherein said bottom, top, and body together define an interior volume;

wherein said body comprises at least one region of deflection disposed thereon, and wherein said region of deflection allows flexion and thereby has less resistance to flexing than the body of said container proximate to said region of deflection;

wherein said body includes a protuberance continuously disposed around the perimeter of said body proximate to said top; and,

wherein said bottom and body are constructed from a polyolefin;

a flexible closure having a one-way valve disposed thereon, the closure removably attached to said protuberance wherein said closure forms a seal with said protuberance;

roast and ground coffee contained within said interior volume; and,

wherein said article of manufacture has an overall coffee aroma value of at least about 5.5.

34. The article of manufacture of claim 33 wherein said overall coffee aroma value is at least about 6.5.

US 7,169,418 B2

19

35. The article of manufacture of claim 34 wherein said overall coffee aroma value is at least about 7.3.

36. The article of manufacture of claim 33 wherein said polyolefin is selected from the group consisting of low density polyethylene, high density polyethylene, polypropylene, co-polymers thereof, and combinations thereof.

37. A packaging system comprising:

a container for holding coffee having a longitudinal axis and comprising a closed bottom, an open top, a handle, and a body having an enclosed perimeter between said bottom and said top;

wherein said bottom, top, and body together define an interior volume;

wherein said body comprises at least one region of deflection disposed thereon, and wherein said region of deflection allows flexion and thereby has less resistance to flexing than the body of said container proximate to said region of deflection;

a protuberance continuously disposed around the perimeter of said body proximate to said top wherein said protuberance forms a ridge external to said body;

a flexible closure removably attached and sealed to said protuberance; and, wherein said bottom and said body are constructed from a material having a tensile modulus number ranging from at least about 35,000 pounds per square inch (2,381 atm) to at least about 650,000 pounds per square inch (44,230 atm); and wherein said container has a top load capacity of at least about 16 pounds (7.3 kg).

38. The packaging system of claim 37 wherein said handle is disposed on said body of said container.

39. The packaging system of claim 37 wherein said handle is integral with said body.

40. The packaging system of claim 37 wherein said handle is substantially parallel to said longitudinal axis of said container.

41. The packaging system of claim 37 wherein said bottom and said body are formed from a material selected from the group consisting of polycarbonate, low density polyethylene, high density polyethylene, polyethylene terephthalate, polypropylene, polystyrene, polyvinyl chloride, co-polymers thereof and combinations thereof.

42. The packaging system of claim 37 wherein said container contains coffee therein.

43. The packaging system of claim 37 wherein said container contains roast and ground coffee therein.

44. A packaging system comprising:

a container for holding coffee having a longitudinal axis and comprising a closed bottom, an open top, a handle, a one-way valve and a body having an enclosed perimeter between said bottom and said top;

wherein said bottom, top, and body together define an interior volume;

wherein said body comprises at least one region of deflection disposed thereon, and wherein said region of deflection allows flexion and thereby has less resistance to flexing than the body of said container proximate to said region of deflection;

20

a protuberance continuously disposed around the perimeter of said body proximate to said top wherein said protuberance forms a ridge external to said body;

a flexible closure removably attached and sealed to said protuberance; and,

wherein said bottom and said body are constructed from a material selected from the group consisting of polycarbonate, low density polyethylene, high density polyethylene, polyethylene terephthalate, polypropylene, polystyrene, polyvinyl chloride, co-polymers thereof and combinations thereof.

45. The packaging system of claim 44 wherein said handle is disposed on said body of said container.

46. The packaging system of claim 44 wherein said handle is integral with said body.

47. The packaging system of claim 44 wherein said handle is substantially parallel to said longitudinal axis of said container.

48. The packaging system of claim 44 wherein said container contains coffee therein.

49. The packaging system of claim 48 wherein said coffee is roast and ground.

50. A packaging system comprising:

a container for holding coffee having a longitudinal axis and comprising a closed bottom, an open top, a handle, and a body having an enclosed perimeter between said bottom and said top;

wherein said bottom, top, and body together define an interior volume;

wherein said body comprises at least one region of deflection disposed thereon, and wherein said region of deflection allows flexion and thereby has less resistance to flexing than the body of said container proximate to said region of deflection;

a protuberance continuously disposed around the perimeter of said body proximate to said top wherein said protuberance forms a ridge external to said body;

a flexible closure removably attached and sealed to said protuberance; and, wherein said bottom and said body are constructed from a material selected from the group consisting of polycarbonate, low density polyethylene, high density polyethylene, polyethylene terephthalate, polypropylene, polystyrene, polyvinyl chloride, co-polymers thereof and combinations thereof.

51. The packaging system of claim 50 wherein said handle is disposed on said body of said container.

52. The packaging system of claim 50 wherein said handle is integral with said body.

53. The packaging system of claim 50 wherein said handle is substantially parallel to said longitudinal axis of said container.

54. The packaging system of claim 50 wherein said container contains coffee therein.

55. The packaging system of claim 54 wherein said coffee is roast and ground.

* * * * *