

# Exhibit B



US007529465B2

(12) **United States Patent**  
**Barton et al.**

(10) **Patent No.:** **US 7,529,465 B2**  
(45) **Date of Patent:** **May 5, 2009**

(54) **SYSTEM FOR TIME SHIFTING  
MULTIMEDIA CONTENT STREAMS**

(75) Inventors: **James M. Barton**, Los Gatos, CA (US);  
**Roderick James McInnis**, Milpitas, CA  
(US); **Alan S. Moskowitz**, San  
Francisco, CA (US); **Andrew Martin  
Goodman**, Menlo Park, CA (US); **Ching  
Tong Chow**, Fremont, CA (US); **Jean  
Swey Kao**, Cupertino, CA (US)

(73) Assignee: **TiVo Inc.**, Alviso, CA (US)

(\*) Notice: Subject to any disclaimer, the term of this  
patent is extended or adjusted under 35  
U.S.C. 154(b) by 0 days.

(21) Appl. No.: **10/081,776**

(22) Filed: **Feb. 20, 2002**

(65) **Prior Publication Data**  
US 2002/0146233 A1 Oct. 10, 2002

**Related U.S. Application Data**  
(63) Continuation of application No. 09/827,029, filed on  
Apr. 5, 2001, which is a continuation of application  
No. 09/126,071, filed on Jul. 30, 1998, now Pat. No.  
6,233,389.

(51) **Int. Cl.**  
**H04N 5/91** (2006.01)  
(52) **U.S. Cl.** ..... **386/68; 386/83; 386/95;**  
386/125  
(58) **Field of Classification Search** ..... 386/1,  
386/4, 6-8, 39, 40, 45, 46, 68, 69-70, 75,  
386/81, 82, 83, 96, 98, 99, 104, 105, 106,  
386/124, 125, 126; *H04N 5/76, 5/92, 5/781,*  
*H04N 5/783, 9/79*

(56) **References Cited**

U.S. PATENT DOCUMENTS

3,682,363 A 8/1972 Hull  
(Continued)

FOREIGN PATENT DOCUMENTS

EP 0594241 A1 10/1993  
(Continued)

OTHER PUBLICATIONS

European Patent Office, "Communication pursuant to Article 94(3)  
EPC", Foreign application No. 02 796 373.5-1522, received Jan. 25,  
2008, 6 pages.

(Continued)

*Primary Examiner*—Huy T Nguyen

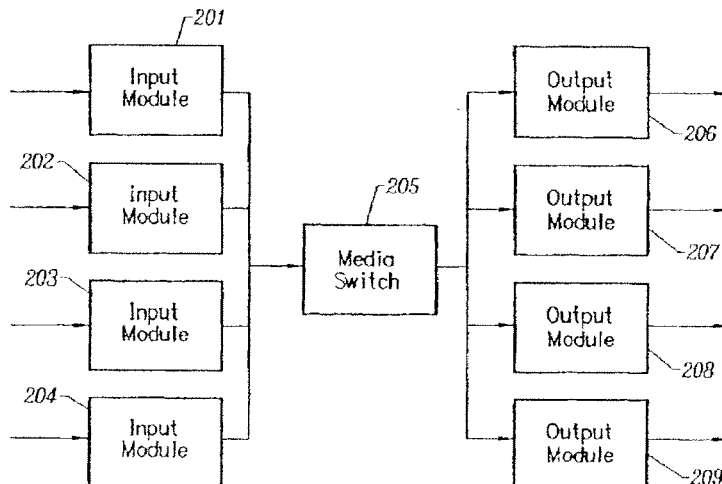
(74) *Attorney, Agent, or Firm*—Hickman Palermo Truong &  
Becker LLP

(57) **ABSTRACT**

A multimedia time warping system. The TV streams are  
converted to an Moving Pictures Experts Group (MPEG)  
formatted stream for internal transfer and manipulation and  
are parsed and separated it into video and audio components.  
The components are stored in temporary buffers. Events are  
recorded that indicate the type of component that has been  
found, where it is located, and when it occurred. The program  
logic is notified that an event has occurred and the data is  
extracted from the buffers. The parser and event buffer  
decouple the CPU from having to parse the MPEG stream and  
from the real time nature of the data streams which allows for  
slower CPU and bus speeds and translate to lower system  
costs. The video and audio components are stored on a storage  
device and when the program is requested for display, the  
video and audio components are extracted from the storage  
device and reassembled into an MPEG stream which is sent to  
a decoder. The decoder converts the MPEG stream into TV  
output signals and delivers the TV output signals to a TV  
receiver.

See application file for complete search history.

**20 Claims, 12 Drawing Sheets**



U.S. PATENT DOCUMENTS

3,942,190	A	3/1976	Detweiler	5,233,423	A	8/1993	Jernigan et al.
4,141,039	A	2/1979	Yamamoto	5,233,603	A	8/1993	Takeuchi
4,221,176	A	9/1980	Besore et al.	5,237,648	A	8/1993	Mills et al.
4,224,481	A	9/1980	Russell	5,241,428	A	8/1993	Goldwasser et al.
4,258,418	A	3/1981	Heath	5,245,430	A	9/1993	Nishimura
4,313,135	A	1/1982	Cooper	5,247,347	A	9/1993	Litteral et al.
4,347,527	A	8/1982	Lainez	5,251,009	A	10/1993	Bruno
4,388,659	A	6/1983	Lemke	5,253,275	A	10/1993	Yurt et al.
4,408,309	A	10/1983	Kiesling et al.	5,283,659	A	2/1994	Akiyama et al.
4,423,480	A	12/1983	Bauer et al.	5,285,272	A	2/1994	Bradley et al.
4,439,785	A	3/1984	Leonard	5,287,182	A	2/1994	Haskall
4,506,348	A	3/1985	Miller et al.	5,311,423	A	5/1994	Clark
4,506,358	A	3/1985	Montgomery	5,317,603	A	5/1994	Osterweil
4,602,297	A	7/1986	Reese	5,317,604	A	5/1994	Osterweil
4,633,331	A	12/1986	McGrady et al.	5,329,320	A	7/1994	Yifrach
4,665,431	A	5/1987	Cooper	5,357,276	A	10/1994	Banker et al.
4,688,106	A	8/1987	Keller et al.	5,361,261	A	11/1994	Edem et al.
4,689,022	A	8/1987	Peers et al.	5,371,551	A	12/1994	Logan et al. .... 348:571
4,706,121	A	11/1987	Young	5,412,416	A	5/1995	Nemirofsky
4,723,181	A	2/1988	Hickok	5,414,455	A	5/1995	Hooper et al.
4,752,834	A	6/1988	Koombes	5,428,731	A	6/1995	Powers
4,755,889	A	7/1988	Schwartz	5,438,423	A	8/1995	Lynch et al. .... 386:109
4,760,442	A	7/1988	Oconnell et al.	5,440,334	A	8/1995	Walters et al.
4,761,684	A	8/1988	Clark et al.	5,442,390	A	8/1995	Hooper et al.
4,789,961	A	12/1988	Tindall	5,477,263	A	12/1995	O'Callaghan et al.
4,805,217	A	2/1989	Morihiro et al.	5,481,542	A	1/1996	Logston et al.
4,816,905	A	3/1989	Tweedy et al.	5,488,409	A	1/1996	Yuen et al.
4,821,121	A	4/1989	Beaulier	5,506,615	A	4/1996	Awaji
4,833,710	A	5/1989	Hirashima	5,508,940	A	4/1996	Rossmere et al.
RE33,535	E	10/1989	Cooper	5,513,011	A	4/1996	Matsumoto et al.
4,876,670	A	10/1989	Nakabayashi et al.	5,513,306	A	4/1996	Mills et al.
4,891,715	A	1/1990	Levy	5,519,684	A	5/1996	Iizuka et al.
4,897,867	A	1/1990	Foster et al.	5,528,281	A	6/1996	Grady et al.
4,920,533	A	4/1990	Dufresne et al.	5,528,282	A	6/1996	Voeten et al.
4,924,387	A	5/1990	Jeppesen et al.	5,550,982	A	8/1996	Long et al.
4,939,594	A	7/1990	Moxon et al.	5,583,561	A	8/1996	Baker et al.
4,947,244	A	8/1990	Fenwick et al.	5,559,999	A	9/1996	Maturi et al.
4,949,169	A	8/1990	Lumelsky et al.	5,572,261	A	11/1996	Cooper
4,949,187	A	8/1990	Cohen	5,577,190	A	11/1996	Peters
4,963,866	A	10/1990	Duncan	5,751,371	A	11/1996	Shintani
4,963,995	A	10/1990	Lang	5,555,463	A	12/1996	Staron
4,972,396	A	11/1990	Rafner	5,581,479	A	12/1996	McLaughlin et al.
4,979,050	A	12/1990	Westland et al.	5,586,264	A	12/1996	Belknap et al.
4,991,033	A	2/1991	Takeshita	5,600,379	A	2/1997	Wagner
5,001,568	A	3/1991	Efron et al.	5,604,544	A	2/1997	Bertram
5,014,125	A	5/1991	Pocock et al.	5,612,749	A	3/1997	Bacher et al.
5,018,186	A	5/1991	Kimura et al.	5,614,940	A	3/1997	Cobbley et al.
5,019,900	A	5/1991	Clark et al.	5,615,401	A	3/1997	Harscoet et al.
5,021,893	A	6/1991	Scheffler	5,619,247	A	4/1997	Russo
5,027,241	A	6/1991	Hatch et al.	5,625,464	A	4/1997	Compoint et al.
5,027,400	A	6/1991	Baji et al.	5,629,732	A	5/1997	Moskowitz et al.
5,047,857	A	9/1991	Duffield et al.	5,635,984	A	6/1997	Lee
5,057,932	A	10/1991	Lang	5,648,824	A	7/1997	Dunn et al.
5,063,453	A	11/1991	Yoshimura et al.	5,659,539	A	8/1997	Porter et al.
5,089,885	A	2/1992	Clark et al.	5,675,388	A	10/1997	Cooper
5,093,718	A	3/1992	Hoarty et al.	5,696,866	A	12/1997	Iggulden et al.
5,109,281	A	4/1992	Koberi et al.	5,696,868	A	12/1997	Kim et al.
5,118,105	A	6/1992	Brim et al.	5,701,383	A	12/1997	Russo et al.
5,126,852	A	6/1992	Nishino et al.	5,706,388	A	1/1998	Isaka
5,126,982	A	6/1992	Yifrach	5,715,356	A	2/1998	Hirayama et al.
5,130,792	A	7/1992	Tindell et al.	5,719,982	A	2/1998	Kawamura et al.
5,132,992	A	7/1992	Yurt et al.	5,721,815	A	2/1998	Ottesen et al.
5,134,499	A	7/1992	Sata et al.	5,721,878	A	2/1998	Ottesen et al.
5,142,532	A	8/1992	Adams	5,724,474	A	3/1998	Oguro et al.
5,153,726	A	10/1992	Billing	5,751,282	A	5/1998	Girard et al.
5,168,353	A	12/1992	Walker et al.	5,751,338	A	5/1998	Ludwig et al.
5,172,413	A	12/1992	Bradley et al.	5,751,883	A	5/1998	Ottesen et al.
5,202,761	A	4/1993	Cooper	5,754,254	A	5/1998	Kobayashi et al. .... 386:96
5,208,665	A	5/1993	McCalley et al.	5,761,417	A	6/1998	Henley et al.
5,214,768	A	5/1993	Martin et al.	5,771,334	A	6/1998	Yamauchi et al.
5,226,141	A	7/1993	Esbensen	5,774,170	A	6/1998	Hite et al.

5,774,186 A 6/1998 Brodsky et al.  
 5,778,137 A 7/1998 Nielsen et al.  
 5,805,763 A 9/1998 Lawler et al.  
 5,815,689 A 9/1998 Shaw et al.  
 5,822,493 A 10/1998 Uehara et al.  
 5,852,705 A 12/1998 Ilanko et al.  
 5,862,342 A 1/1999 Winter et al.  
 5,864,682 A 1/1999 Porter et al.  
 5,870,553 A 2/1999 Shaw et al.  
 5,889,915 A 3/1999 Hewton  
 5,892,884 A \* 4/1999 Sugiyama et al. .... 386/96  
 5,899,578 A 5/1999 Yanagihara et al.  
 5,920,572 A 7/1999 Washington et al.  
 5,920,842 A 7/1999 Cooper et al.  
 5,930,444 A 7/1999 Camhi et al.  
 5,949,948 A 9/1999 Krause et al.  
 5,949,954 A 9/1999 Young et al.  
 5,956,716 A 9/1999 Kenner et al.  
 5,963,202 A 10/1999 Polish  
 5,973,679 A 10/1999 Abbott et al.  
 5,991,496 A 11/1999 Kojitma  
 5,995,709 A 11/1999 Tsuge  
 6,112,226 A 11/1999 Weaver et al.  
 5,999,691 A \* 12/1999 Takagi et al. .... 386/46  
 6,002,832 A 12/1999 Yoneda  
 6,005,562 A 12/1999 Shiga et al.  
 6,005,564 A 12/1999 Ahmad et al.  
 6,018,612 A 1/2000 Thomason et al.  
 6,028,599 A 2/2000 Yuen et al.  
 RE36,801 E \* 8/2000 Logan et al. .... 386/124  
 6,138,147 A 10/2000 Weaver et al.  
 6,141,385 A 10/2000 Yamaji et al.  
 6,151,059 A 11/2000 Schein et al.  
 6,154,771 A 11/2000 Rangan et al.  
 6,163,644 A 12/2000 Owashi et al.  
 6,167,083 A 12/2000 Sporer et al.  
 6,169,843 B1 1/2001 Lenihan et al.  
 6,192,189 B1 2/2001 Fujinami et al.  
 6,198,877 B1 3/2001 Kawamura et al.  
 6,226,447 B1 5/2001 Sasaki et al.  
 6,233,389 B1 5/2001 Barton et al.  
 6,249,641 B1 6/2001 Yokota  
 6,253,375 B1 6/2001 Gordon et al.  
 6,256,704 B1 7/2001 Hlava et al.  
 6,272,672 B1 8/2001 Conway  
 6,278,837 B1 \* 8/2001 Yasukohchi et al. .... 386/124  
 6,282,209 B1 8/2001 Kataoka et al.  
 6,285,824 B1 9/2001 Yanagihara et al.  
 6,292,618 B1 \* 9/2001 Ohara et al. .... 386/46  
 6,292,619 B1 \* 9/2001 Fujita et al. .... 386/52  
 6,301,711 B1 10/2001 Nusbickel  
 6,304,714 B1 10/2001 Krause et al.  
 6,330,675 B1 12/2001 Wisner et al.  
 6,341,195 B1 \* 1/2002 Mankovitz et al. .... 386/83  
 6,353,461 B1 \* 3/2002 Shore et al. .... 348/722  
 6,363,212 B1 3/2002 Fujinami et al.  
 6,529,685 B2 3/2002 Ottesen et al.  
 6,400,407 B1 6/2002 Zigmund et al.  
 6,424,791 B1 \* 7/2002 Saib ..... 386/83  
 6,445,738 B1 9/2002 Zdepski et al.  
 6,445,872 B1 \* 9/2002 Sano et al. .... 386/46  
 6,498,894 B2 12/2002 Ito et al.  
 6,504,990 B1 \* 1/2003 Abecassis ..... 386/46  
 6,542,695 B1 \* 4/2003 Akiba et al. .... 386/125  
 6,553,178 B2 \* 4/2003 Abecassis ..... 386/83  
 6,788,882 B1 9/2004 Geer et al.  
 7,272,298 B1 9/2007 Lang et al.  
 2005:0025469 A1 2/2005 Geer et al.  
 2005:0122335 A1 6/2005 MacInnis et al.

2005:0132418 A1 6/2005 Barton et al.  
 2005:0226604 A1 10/2005 Kawamura et al.

FOREIGN PATENT DOCUMENTS

EP 0594241 B1 4/1994  
 EP 0 701 371 A1 3/1996  
 EP 0726574 A2 8/1996  
 EP 07255774 A2 8/1996  
 EP 0785675 A2 7/1997  
 EP 0817483 A2 1/1998  
 EP 0817483 A2 1/1998  
 GB 2222742 A 8/1989  
 WO 91/03112 A1 8/1990  
 WO 92/04573 6/1992  
 WO 92/22983 A2 12/1992  
 WO 93/16557 A1 8/1993  
 WO 98/56188 A2 12/1998  
 WO 00/76130 A1 5/2000  
 WO 00/33568 A1 6/2000

OTHER PUBLICATIONS

Claims, Foreign application No. 02 796 373.5-1522. 5 pages.  
 United States Patent and Trademark Office, "Ex Parte Reexamination Communication Transmittal Form", Reexamination Control No. 90/007750, dated Nov. 28, 2007, 20 pages.  
 Office Action from CN for foreign patent application No. 200410056388.3 dated Nov. 25, 2005 (15 pgs)—attached.  
 Inside MacIntosh "QuickTime", Apple Technology Library by Apple Computer, Inc., © 1993 (published by Addison-Wesley Publishing Company) 719 pgs.  
 Inside MacIntosh "Files", Apple Technology Library by Apple Computer, Inc., © 1992 (published by Addison-Wesley Publishing Company) 532 pgs.  
 Inside MacIntosh "Memory", Apple Technology Library by Apple Computer, Inc., © 1992 (published by Addison-Wesley Publishing Company) 303 pgs.  
 Inside MacIntosh "QuickTime Components", Apple Technology Library by Apple Computer, Inc., © 1993 (published by Addison-Wesley Publishing Company) 828 pgs.  
 Inside MacIntosh "Overview", Apple Technology Library by Apple Computer, Inc., © 1992 (published by Addison-Wesley Publishing Company) 251 pgs.  
 Quantum Q500 Series High Capacity 5¼ Fixed Disk Drive, Quantum Corporation, © 1983 (2 pgs).  
 Quantum Q2080 Low-Cost, 85 Megabyte Fixed Disk Drive, "85 Mb capacity/40ms average access time", Quantum Corporation, © 1982 (2 pgs).  
 OEM Interface Specifications for DSAA-3xxx, 3.5-Inch Hard Disk Drive with ATA Interface, IBM Corporation, © 1994 (65 pgs).  
 DiviCom, MP100 User Guide, DiviCom, Inc., © 1996 (97 pgs).  
 Media Stream, "Satellite Receiver" Installation and Users Guide for Windows 95, Media4, Inc., © 1996 (33 pgs).  
 International Standard ISO/IEC 13818-1:2000(E) "Information Technology—Generic Coding of Moving Pictures and Associated Audio Information: Systems", © ISO/IEC 2000, Downloaded Jun. 30, 2005 (173 pgs).  
 International Standard ISO/IEC 13818-1:2000/Amd.2:2004(E) "Information Technology—Generic Coding of Moving Pictures and Associated Audio Information: Systems", Amendment 2: Support of IPMP on MPEG-2 Systems, © ISO/IEC 2004, Downloaded Jun. 30, 2005 (13 pgs).  
 International Standard ISO/IEC 13818-2:2000(E) "Information Technology—Generic Coding of Moving Pictures and Associated Audio Information: Video", © ISO/IEC 2000, Downloaded Jun. 30, 2005 (219 pgs).  
 International Standard ISO/IEC 13818-3:1998(E) "Information Technology—Generic Coding of Moving Pictures and Associated Audio Information: Audio", © ISO/IEC 1998 (125 pgs).  
 Guide to VAX/VMS File Applications., Software Version VAX/VMS Version 4.0, Sep. 1984 (19 pgs).  
 Harrick M. Vin, et al., *Designing A Multiuser HDTV Storage Server*, IEEE Journal, vol. 11, No. 1, Jan. 1993 (pp. 153-164).

- Quantum Fireball 640/1280S Product Manual, Quantum®, Copyright © 1995 by Quantum Corporation (190 pgs).
- Winston Hodge, et al., "Chapter 7, True Video on Demand vs. Near Video on Demand", delivered at National Cable Television Conference, May 24, 1994 (pp. 103-120).
- Cyril U. Orji, et al., "Design and Configuration Rationales for Digital Video Storage and Delivery Systems", Multimedia Tools and Applications, 9, 275-302 (1992), © 1992 Kluwer Academic Publishers, Boston (pp. 275-302).
- R. Johnston, et al., "A Digital Television Sequence Store", IEEE, (pp. 594-600) © 1978.
- M. Hausdorfer, "Symposium Record Broadcast Sessions", HDTV Production: Today and Tomorrow, Jun. 17, 1989, (7 pgs).
- S. Berson, "Computer Science Department Technical Report", Staggered Striping in Multimedia Information System, Dec. 1993, Apr. 29, 1994, (24 pgs).
- Conner Filepro Performance Series, CFP1060E/CFP1060S/CFP1060W, "Intelligent Disk Drive Product Manual", Rev. A, May 1994, © 1994, Conner Peripherals, Inc., (79 pgs).
- Hugh M. Sierra, "An Introduction to Direct Access Storage Devices", © 1990 by Academic Press, Inc., (269 pgs).
- Douglas T. Anderson, "The Hard Disk Technical Guide", Tenth Revision S-D., Feb. 1994, © 1990, 1991, 1992, 1993, 1994 by Micro House International Inc., (70 pgs).
- K. Shen et al., "A Fast Algorithm for Video Parsing Using MPEG Compressed Sequences", IEEE, pp. 252-255 (0-8185-7310-9/626/1995).
- S. Smollar et al., "Content-based Video Indexing and Retrieval", IEEE, Summer 1994, pp. 62-72.

\* cited by examiner

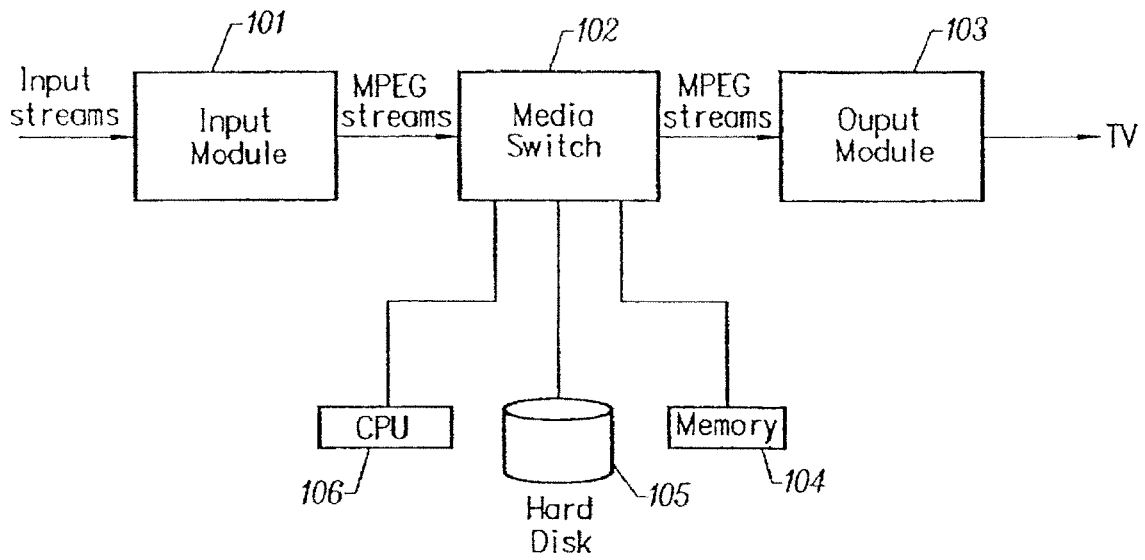


FIG. 1

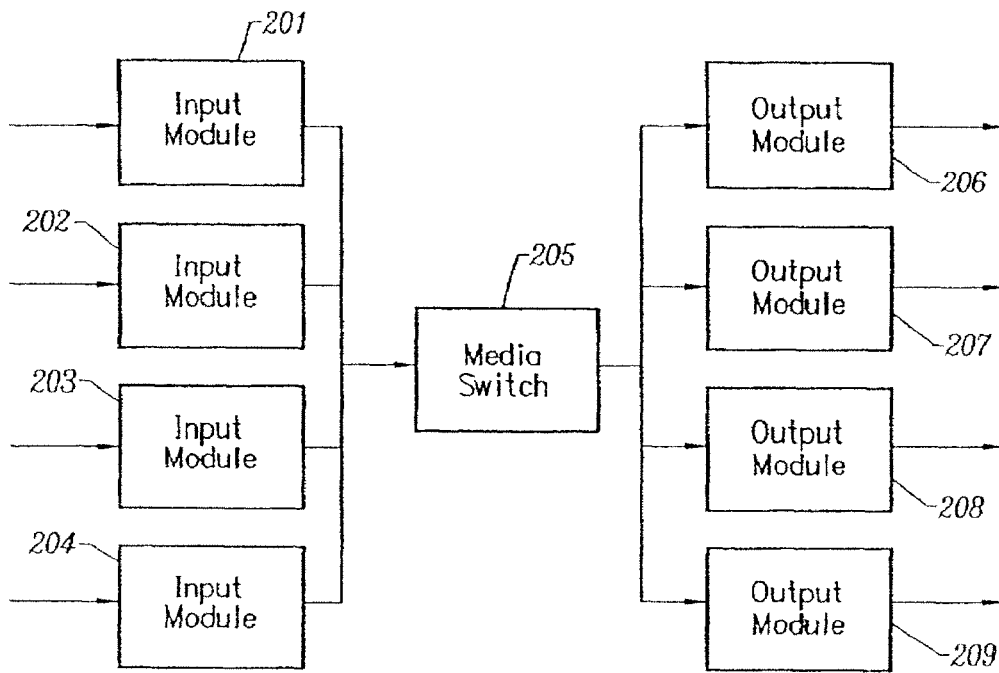


FIG. 2

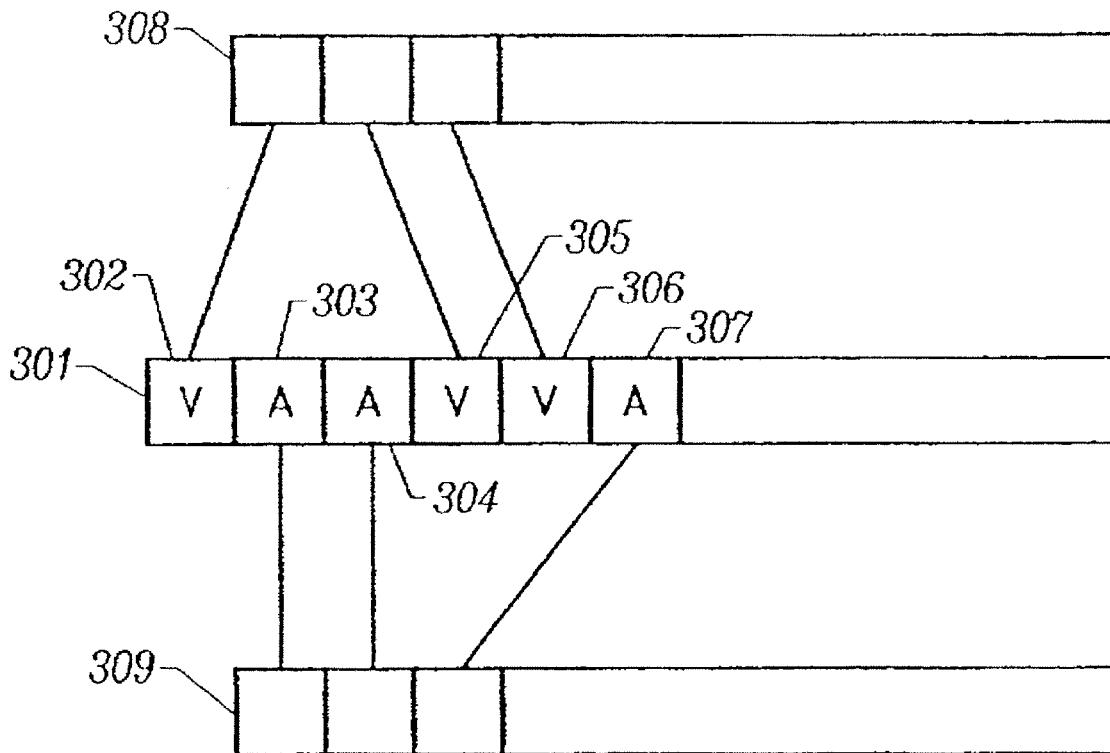


FIG. 3



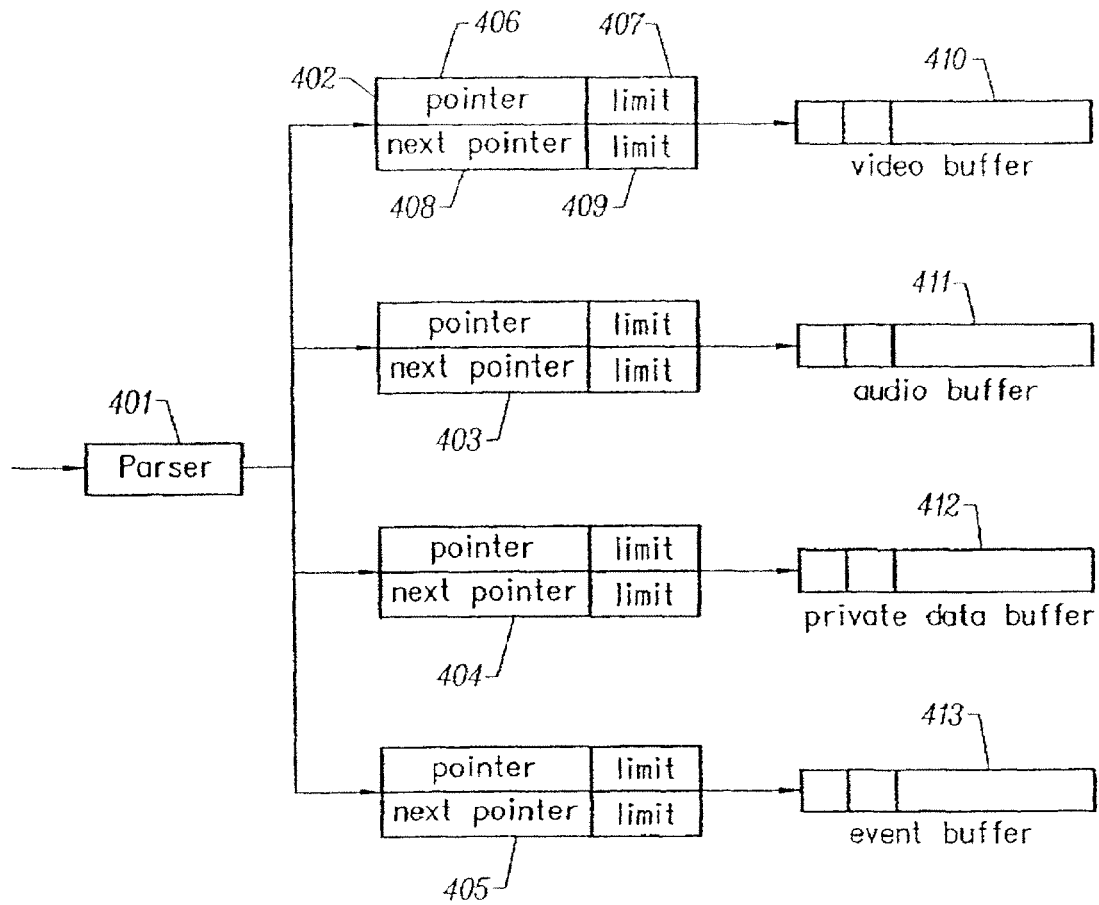


FIG. 4

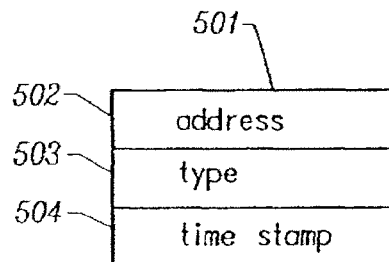


FIG. 5

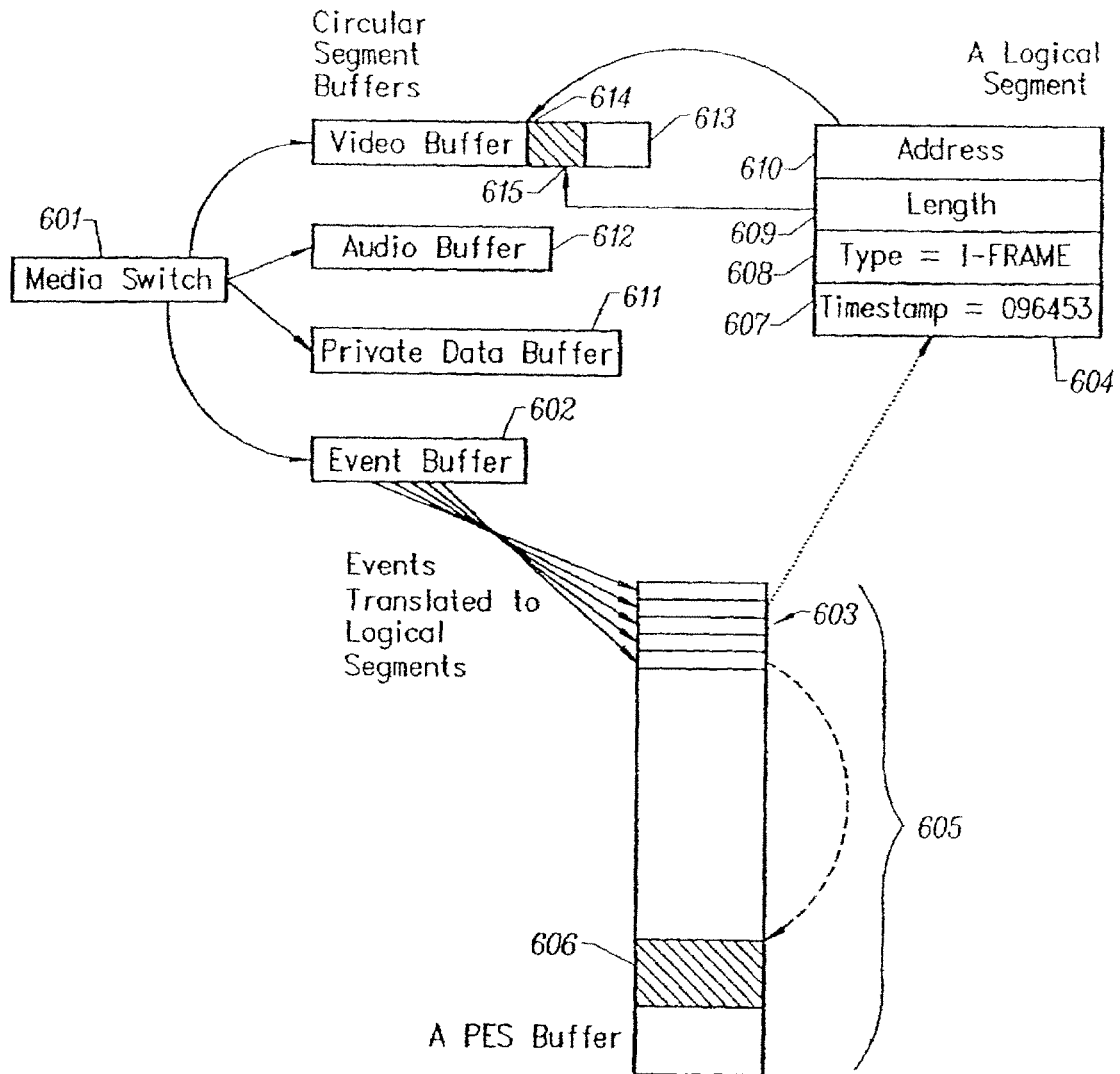


FIG. 6

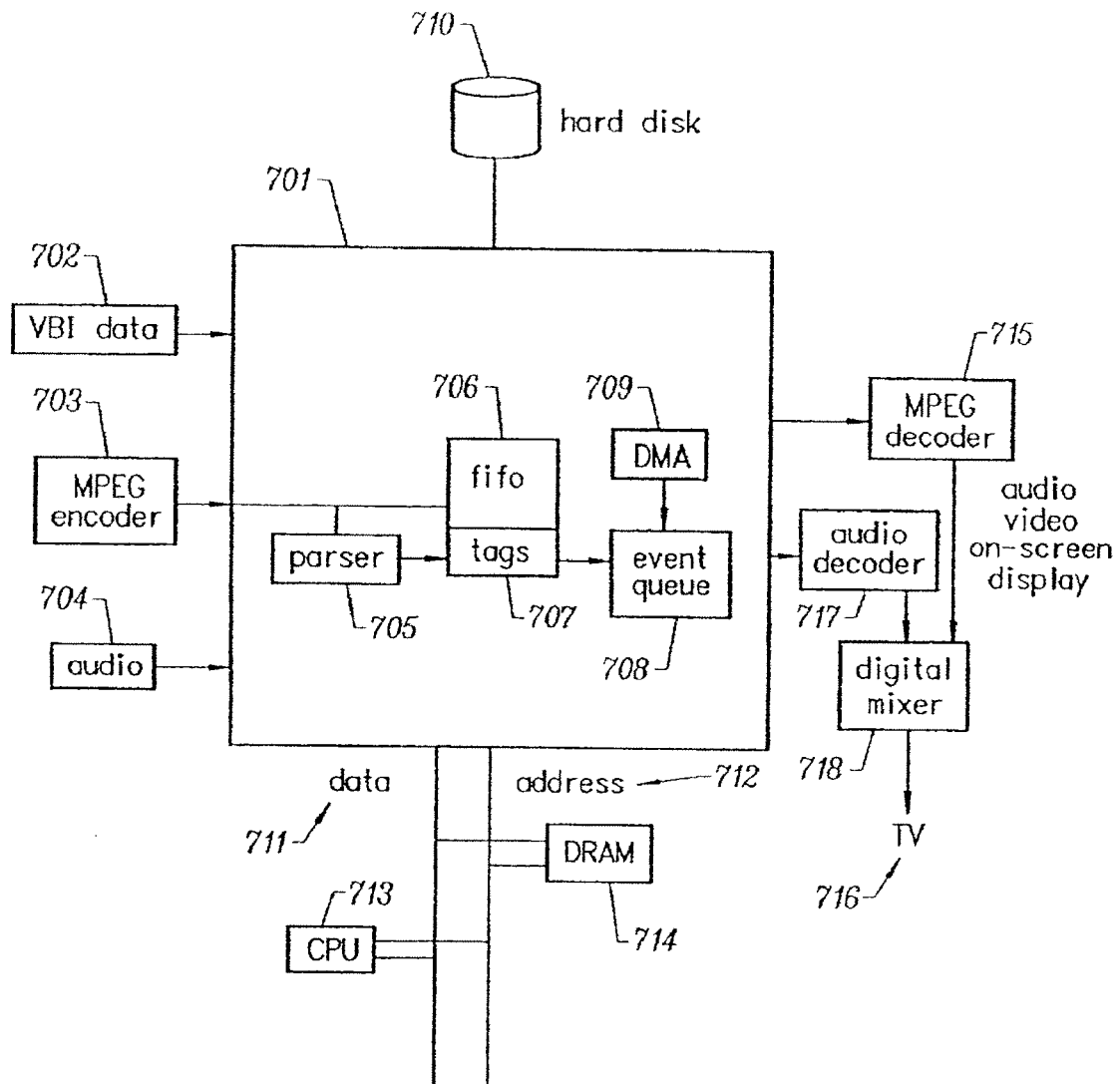


FIG. 7

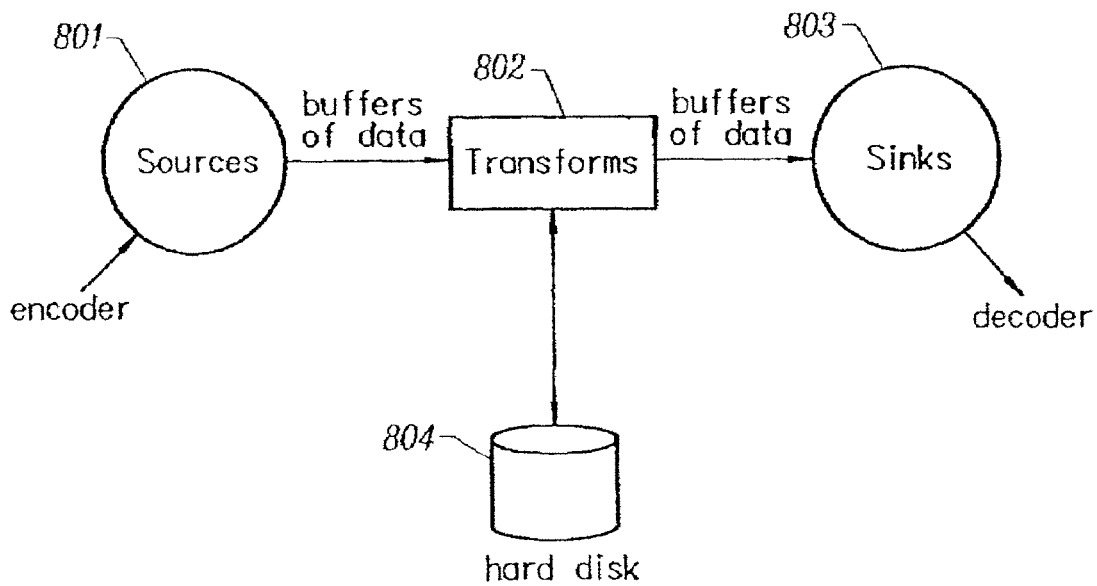


FIG. 8

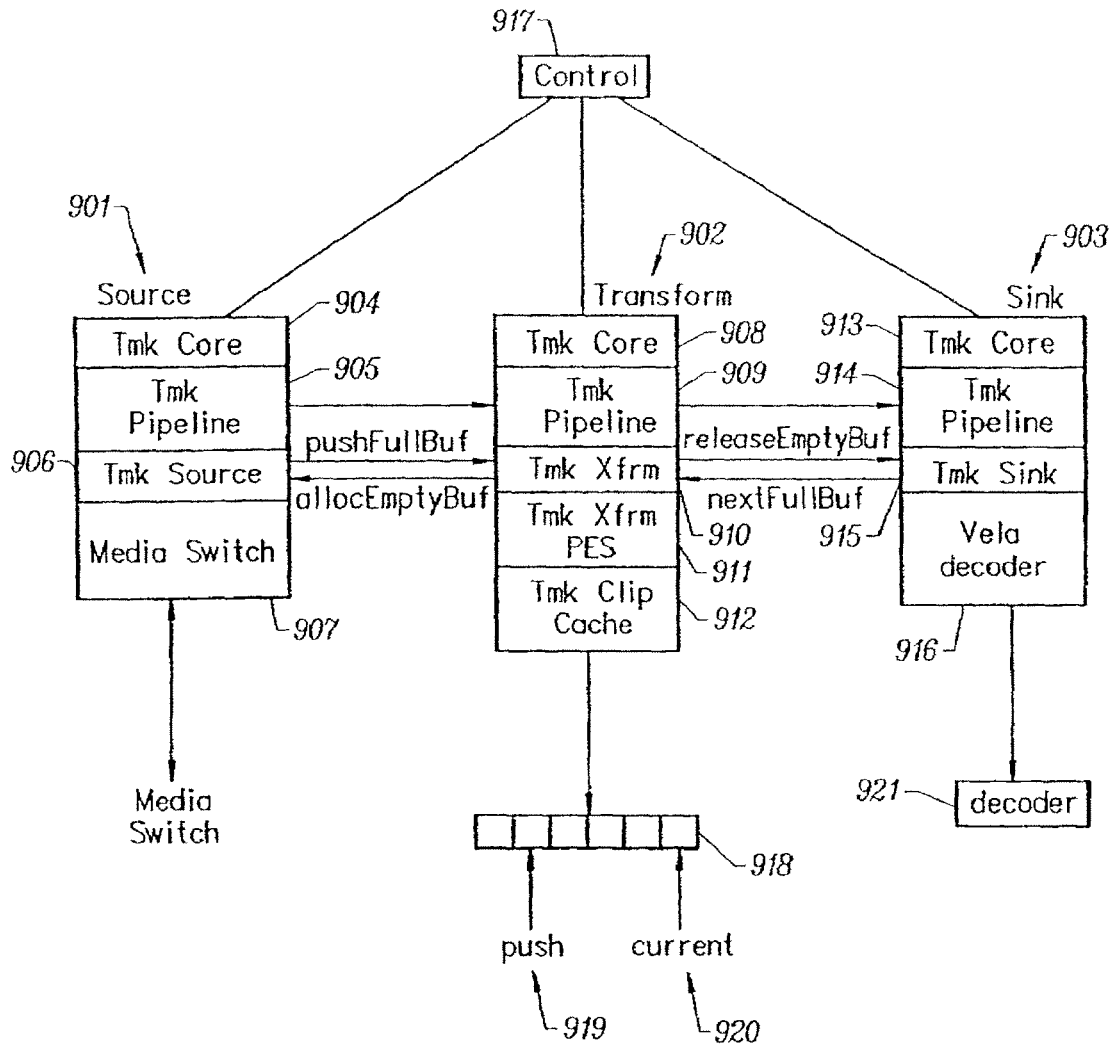


FIG. 9

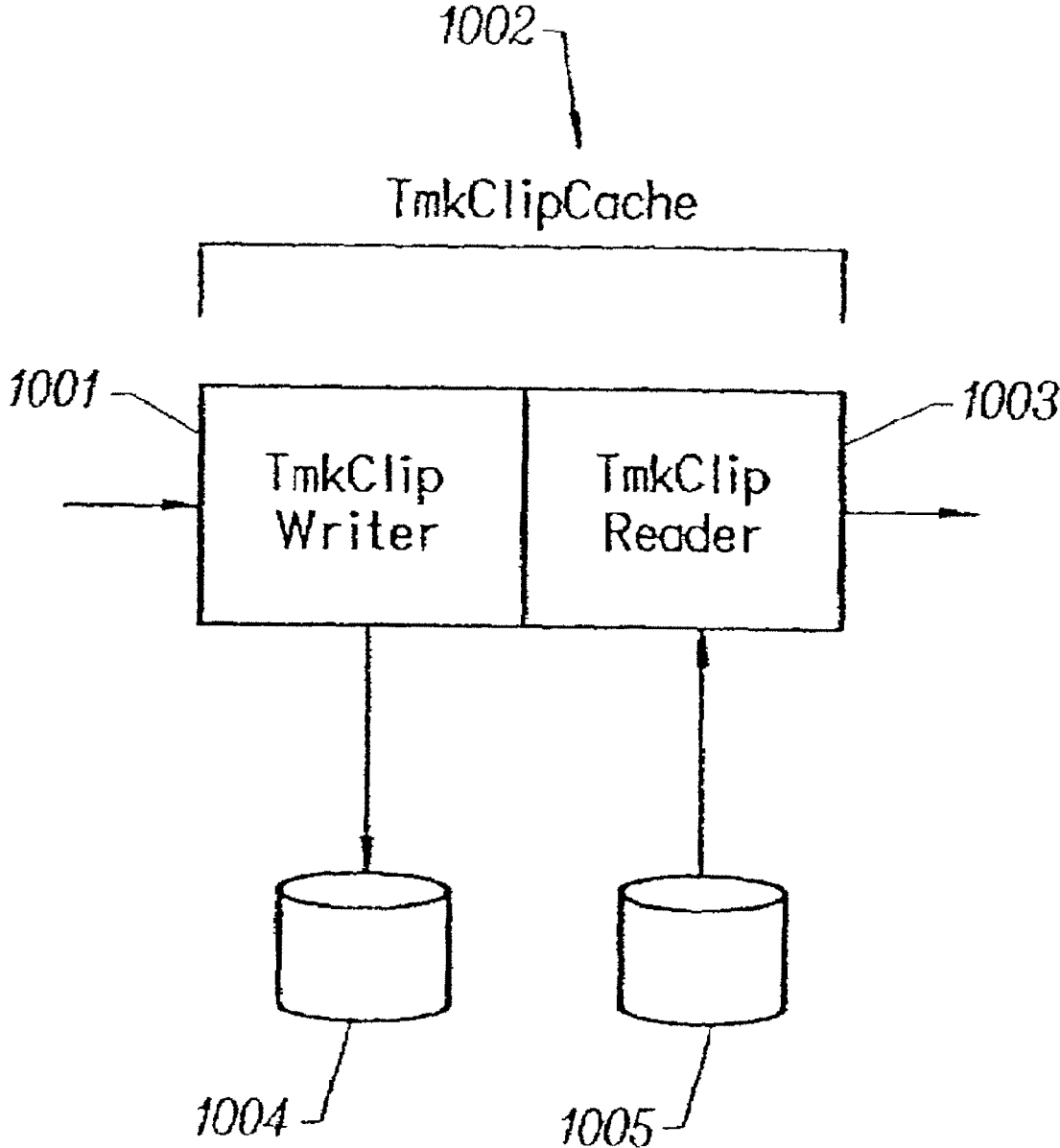


FIG. 10

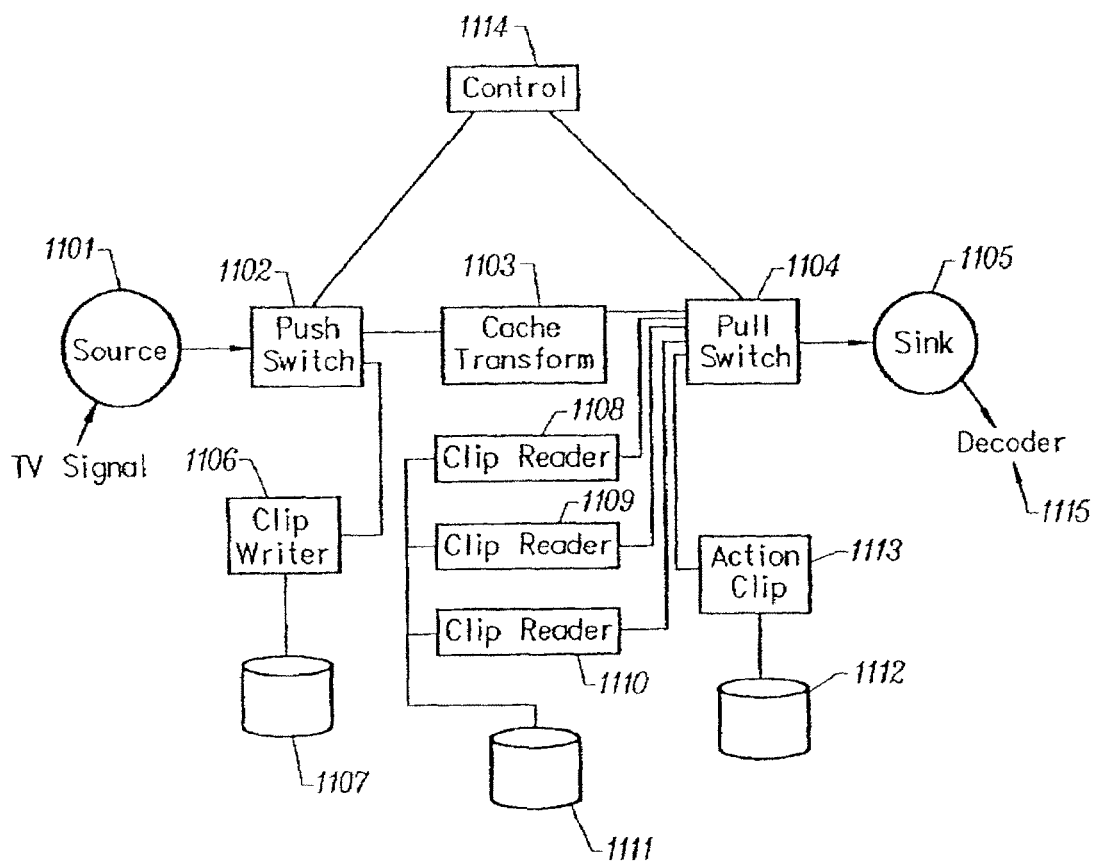


FIG. 11

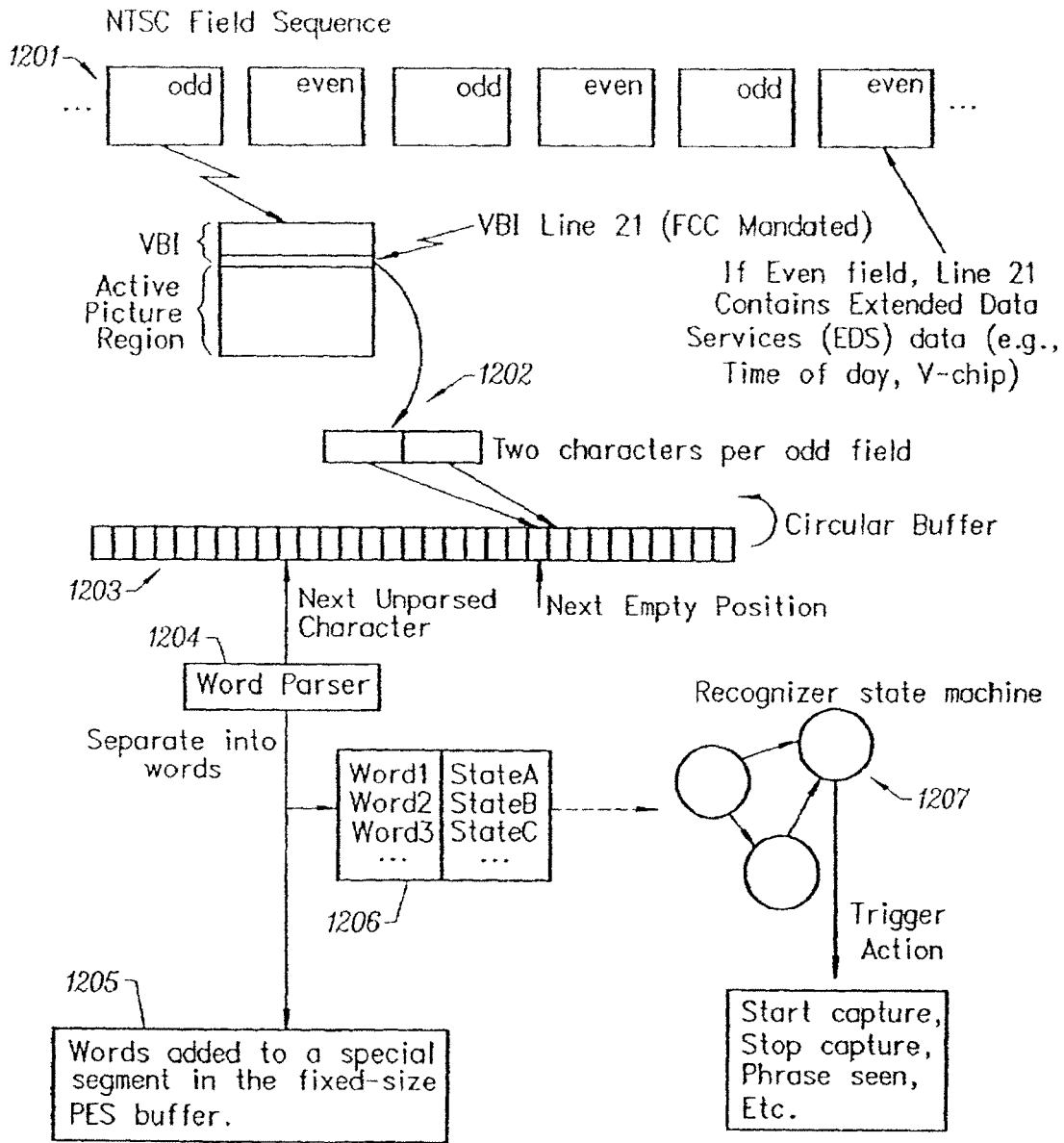


FIG. 12



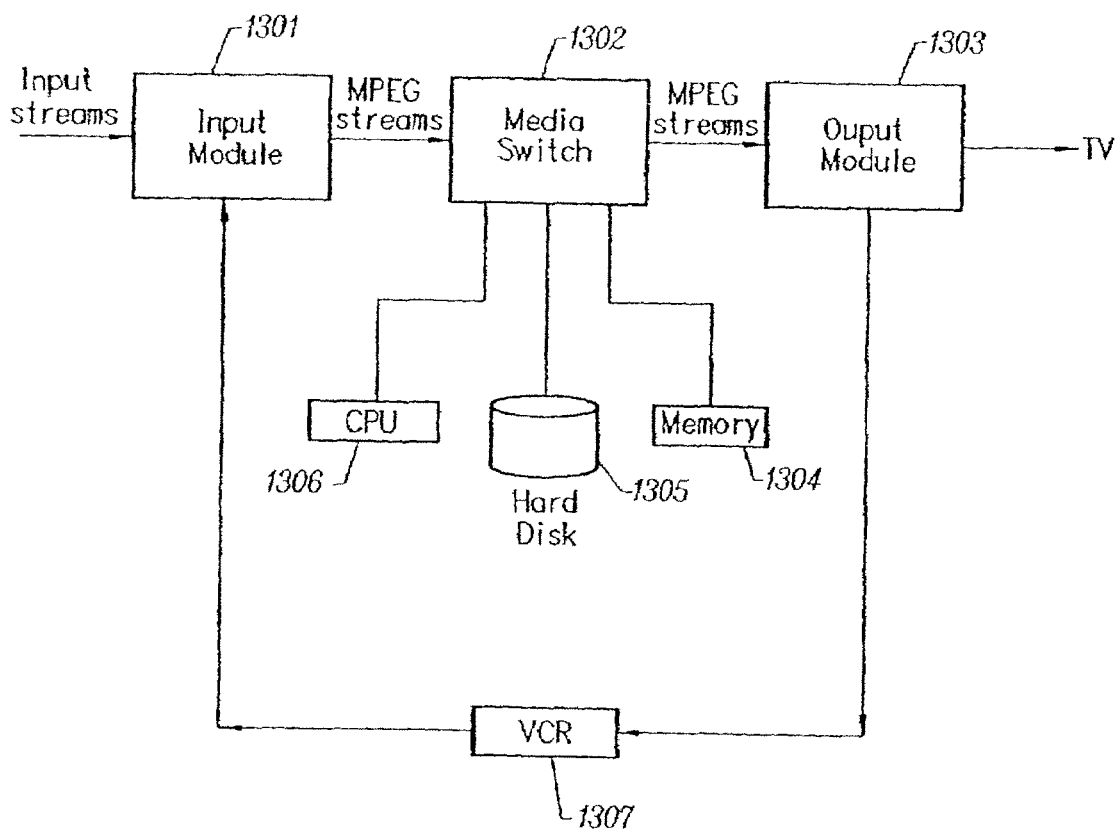


FIG. 13

## SYSTEM FOR TIME SHIFTING MULTIMEDIA CONTENT STREAMS

### CROSS-REFERENCE TO RELATED APPLICATIONS

This application is a continuation of U.S. patent application Ser. No. 09/827,029 filed on 5 Apr. 2001 which is a continuation of U.S. patent application Ser. No. 09/126,071 (now U.S. Pat. No. 6,233,389), filed on 30 Jul. 1998.

### BACKGROUND OF THE INVENTION

1. Technical Field p The invention relates to the time shifting of television broadcast signals. More particularly, the invention relates to the real time capture, storage, and display of television broadcast signals.

#### 2. Description of the Prior Art

The Video Cassette Recorder (VCR) has changed the lives of television (TV) viewers throughout the world. The VCR has offered viewers the flexibility to time-shift TV programs to match their lifestyles.

The viewer stores TV programs onto magnetic tape using the VCR. The VCR gives the viewer the ability to play, rewind, fast forward and pause the stored program material. These functions enable the viewer to pause the program playback whenever he desires, fast forward through unwanted program material or commercials, and to replay favorite scenes. However, a VCR cannot both capture and play back information at the same time.

One approach to solving this problem is to use several VCRs. For example, if two video tape recorders are available, it might be possible to Ping-Pong between the two. In this case, the first recorder is started at the beginning of the program of interest. If the viewer wishes to rewind the broadcast, the second recorder begins recording, while the first recorder is halted, rewound to the appropriate place, and playback initiated. However, at least a third video tape recorder is required if the viewer wishes to fast forward to some point in time after the initial rewind was requested. In this case, the third recorder starts recording while the second is halted and rewound to the appropriate position. Continuing this exercise, one can quickly see that the equipment becomes unwieldy, unreliable, expensive, and hard to operate, while never supporting all desired functions. In addition, tapes are of finite length, and may potentially end at inconvenient times, drastically lowering the value of the solution.

The use of digital computer systems to solve this problem has been suggested. U.S. Pat. No. 5,371,551 issued to Logan et al., on 6 Dec. 1994, teaches a method for concurrent video recording and playback. It presents a microprocessor controlled broadcast and playback device. Said device compresses and stores video data onto a hard disk. However, this approach is difficult to implement because the processor requirements for keeping up with the high video rates makes the device expensive and problematic. The microprocessor must be extremely fast to keep up with the incoming and outgoing video data.

It would be advantageous to provide a multimedia time warping system that gives the user the ability to simultaneously record and play back TV broadcast programs. It would further be advantageous to provide a multimedia time warping system that utilizes an approach that decouples the microprocessor from the high video data rates, thereby reducing the microprocessor and system requirements which are at a premium.

## SUMMARY OF THE INVENTION

The invention provides a multimedia time warping system. The invention utilizes an easily manipulated, low cost multimedia storage and display system that allows the user to view a television broadcast program with the option of instantly reviewing previous scenes within the program. In addition, the invention allows the user to store selected television broadcast programs while the user is simultaneously watching or reviewing another program.

A preferred embodiment of the invention accepts television (TV) input streams in a multitude of forms, for example, analog forms such as National Television Standards Committee (NTSC) or PAL broadcast, and digital forms such as Digital Satellite System (DSS), Digital Broadcast Services (DBS), or Advanced Television Standards Committee (ATSC). Analog TV streams are converted to an Moving Pictures Experts Group (MPEG) formatted stream for internal transfer and manipulation, while pre-formatted MPEG streams are extracted from the digital TV signal and presented in a similar format to encoded analog streams.

The invention parses the resulting MPEG stream and separates it into its video and audio components. It then stores the components into temporary buffers. Events are recorded that indicate the type of component that has been found, where it is located, and when it occurred. The program logic is notified that an event has occurred and the data is extracted from the buffers.

The parser and event buffer decouple the CPU from having to parse the MPEG stream and from the real time nature of the data streams. This decoupling allows for slower CPU and bus speeds which translate to lower system costs.

The video and audio components are stored on a storage device. When the program is requested for display, the video and audio components are extracted from the storage device and reassembled into an MPEG stream. The MPEG stream is sent to a decoder. The decoder converts the MPEG stream into TV output signals and delivers the TV output signals to a TV receiver.

User control commands are accepted and sent through the system. These commands affect the flow of said MPEG stream and allow the user to view stored programs with at least the following functions: reverse, fast forward, play, pause, index, fast/slow reverse play, and fast/slow play.

Other aspects and advantages of the invention will become apparent from the following detailed description in combination with the accompanying drawings, illustrating, by way of example, the principles of the invention.

### BRIEF DESCRIPTION OF THE DRAWINGS

FIG. 1 is a block schematic diagram of a high level view of a preferred embodiment of the invention according to the invention;

FIG. 2 is a block schematic diagram of a preferred embodiment of the invention using multiple input and output modules according to the invention;

FIG. 3 is a schematic diagram of an Moving Pictures Experts Group (MPEG) data stream and its video and audio components according to the invention;

FIG. 4 is a block schematic diagram of a parser and four direct memory access (DMA) input engines contained in the Media Switch according to the invention;

FIG. 5 is a schematic diagram of the components of a packetized elementary stream (PES) buffer according to the invention;

FIG. 6 is a schematic diagram of the construction of a PES buffer from the parsed components in the Media Switch output circular buffers;

FIG. 7 is a block schematic diagram of the Media Switch and the various components that it communicates with according to the invention;

FIG. 8 is a block schematic diagram of a high level view of the program logic according to the invention;

FIG. 9 is a block schematic diagram of a class hierarchy of the program logic according to the invention;

FIG. 10 is a block schematic diagram of a preferred embodiment of the clip cache component of the invention according to the invention;

FIG. 11 is a block schematic diagram of a preferred embodiment of the invention that emulates a broadcast studio video mixer according to the invention;

FIG. 12 is a block schematic diagram of a closed caption parser according to the invention; and

FIG. 13 is a block schematic diagram of a high level view of a preferred embodiment of the invention utilizing a VCR as an integral component of the invention according to the invention.

#### DETAILED DESCRIPTION OF THE INVENTION

The invention is embodied in a multimedia time warping system. A system according to the invention provides a multimedia storage and display system that allows the user to view a television broadcast program with the option of instantly reviewing previous scenes within the program. The invention additionally provides the user with the ability to store selected television broadcast programs while simultaneously watching or reviewing another program and to view stored programs with at least the following functions: reverse, fast forward, play, pause, index, fast/slow reverse play, and fast/slow play.

Referring to FIG. 1, a preferred embodiment of the invention has an Input Section 101, Media Switch 102, and an Output Section 103. The Input Section 101 takes television (TV) input streams in a multitude of forms, for example, National Television Standards Committee (NTSC) or PAL broadcast, and digital forms such as Digital Satellite System (DSS), Digital Broadcast Services (DBS), or Advanced Television Standards Committee (ATSC). DBS, DSS and ATSC are based on standards called Moving Pictures Experts Group 2 (MPEG2) and MPEG2 Transport. MPEG2 Transport is a standard for formatting the digital data stream from the TV source transmitter so that a TV receiver can disassemble the input stream to find programs in the multiplexed signal. The Input Section 101 produces MPEG streams. An MPEG2 transport multiplex supports multiple programs in the same broadcast channel, with multiple video and audio feeds and private data. The Input Section 101 tunes the channel to a particular program, extracts a specific MPEG program out of it, and feeds it to the rest of the system. Analog TV signals are encoded into a similar MPEG format using separate video and audio encoders, such that the remainder of the system is unaware of how the signal was obtained. Information may be modulated into the Vertical Blanking Interval (VBI) of the analog TV signal in a number of standard ways: for example, the North American Broadcast Teletext Standard (NABTS) may be used to modulate information onto lines 10 through 20 of an NTSC signal, while the FCC mandates the use of line 21 for Closed Caption (CC) and Extended Data Services (EDS). Such signals are decoded by the input section and passed to the other sections as if they were delivered via an MPEG2 private data channel.

The Media Switch 102 mediates between a microprocessor CPU 106, hard disk or storage device 105, and memory 104. Input streams are converted to an MPEG stream and sent to the Media Switch 102. The Media Switch 102 buffers the MPEG stream into memory. It then performs two operations if the user is watching real time TV: the stream is sent to the Output Section 103 and it is written simultaneously to the hard disk or storage device 105.

The Output Section 103 takes MPEG streams as input and produces an analog TV signal according to the NTSC, PAL, or other required TV standards. The Output Section 103 contains an MPEG decoder, On-Screen Display (OSD) generator, analog TV encoder and audio logic. The OSD generator allows the program logic to supply images which will be overlaid on top of the resulting analog TV signal. Additionally, the Output Section can modulate information supplied by the program logic onto the VBI of the output signal in a number of standard formats, including NABTS, CC and EDS.

With respect to FIG. 2, the invention easily expands to accommodate multiple Input Sections (tuners) 201, 202, 203, 204, each can be tuned to different types of input. Multiple Output Modules (decoders) 206, 207, 208, 209 are added as well. Special effects such as picture in a picture can be implemented with multiple decoders. The Media Switch 205 records one program while the user is watching another. This means that a stream can be extracted off the disk while another stream is being stored onto the disk.

Referring to FIG. 3, the incoming MPEG stream 301 has interleaved video 302, 305, 306 and audio 303, 304, 307 segments. These elements must be separated and recombined to create separate video 308 and audio 309 streams or buffers. This is necessary because separate decoders are used to convert MPEG elements back into audio or video analog components. Such separate delivery requires that time sequence information be generated so that the decoders may be properly synchronized for accurate playback of the signal.

The Media Switch enables the program logic to associate proper time sequence information with each segment, possibly embedding it directly into the stream. The time sequence information for each segment is called a time stamp. These time stamps are monotonically increasing and start at zero each time the system boots up. This allows the invention to find any particular spot in any particular video segment. For example, if the system needs to read five seconds into an incoming contiguous video stream that is being cached, the system simply has to start reading forward into the stream and look for the appropriate time stamp.

A binary search can be performed on a stored file to index into a stream. Each stream is stored as a sequence of fixed-size segments enabling fast binary searches because of the uniform time stamping. If the user wants to start in the middle of the program, the system performs a binary search of the stored segments until it finds the appropriate spot, obtaining the desired results with a minimal amount of information. If the signal were instead stored as an MPEG stream, it would be necessary to linearly parse the stream from the beginning to find the desired location.

With respect to FIG. 4, the Media Switch contains four input Direct Memory Access (DMA) engines 402, 403, 404, 405 each DMA engine has an associated buffer 410, 411, 412, 413. Conceptually, each DMA engine has pointer 406, a limit for that pointer 407, a next pointer 408, and a limit for the next pointer 409. Each DMA engine is dedicated to a particular type of information, for example, video 402, audio 403, and parsed events 405. The buffers 410, 411, 412, 413 are circular and collect the specific information. The DMA engine increments the pointer 406 into the associated buffer until it

reaches the limit **407** and then loads the next pointer **408** and limit **409**. Setting the pointer **406** and next pointer **408** to the same value, along with the corresponding limit value creates a circular buffer. The next pointer **408** can be set to a different address to provide vector DMA.

The input stream flows through a parser **401**. The parser **401** parses the stream looking for MPEG distinguished events indicating the start of video, audio or private data segments. For example, when the parser **401** finds a video event, it directs the stream to the video DMA engine **402**. The parser **401** buffers up data and DMAs it into the video buffer **410** through the video DMA engine **402**. At the same time, the parser **401** directs an event to the event DMA engine **405** which generates an event into the event buffer **413**. When the parser **401** sees an audio event, it redirects the byte stream to the audio DMA engine **403** and generates an event into the event buffer **413**. Similarly, when the parser **401** sees a private data event, it directs the byte stream to the private data DMA engine **404** and directs an event to the event buffer **413**. The Media Switch notifies the program logic via an interrupt mechanism when events are placed in the event buffer.

Referring to FIGS. 4 and 5, the event buffer **413** is filled by the parser **401** with events. Each event **501** in the event buffer has an offset **502**, event type **503**, and time stamp field **504**. The parser **401** provides the type and offset of each event as it is placed into the buffer. For example, when an audio event occurs, the event type field is set to an audio event and the offset indicates the location in the audio buffer **411**. The program logic knows where the audio buffer **411** starts and adds the offset to find the event in the stream. The address offset **502** tells the program logic where the next event occurred, but not where it ended. The previous event is cached so the end of the current event can be found as well as the length of the segment.

With respect to FIGS. 5 and 6, the program logic reads accumulated events in the event buffer **602** when it is interrupted by the Media Switch **601**. From these events the program logic generates a sequence of logical segments **603** which correspond to the parsed MPEG segments **615**. The program logic converts the offset **502** into the actual address **610** of each segment, and records the event length **609** using the last cached event. If the stream was produced by encoding an analog signal, it will not contain Program Time Stamp (PTS) values, which are used by the decoders to properly present the resulting output. Thus, the program logic uses the generated time stamp **504** to calculate a simulated PTS for each segment and places that into the logical segment time stamp **607**. In the case of a digital TV stream, PTS values are already encoded in the stream. The program logic extracts this information and places it in the logical segment time stamp **607**.

The program logic continues collecting logical segments **603** until it reaches the fixed buffer size. When this occurs, the program logic generates a new buffer, called a Packetized Elementary Stream (PES) **605** buffer containing these logical segments **603** in order, plus ancillary control information. Each logical segment points **604** directly to the circular buffer, e.g., the video buffer **613**, filled by the Media Switch **601**. This new buffer is then passed to other logic components, which may further process the stream in the buffer in some way, such as presenting it for decoding or writing it to the storage media. Thus, the MPEG data is not copied from one location in memory to another by the processor. This results in a more cost effective design since lower memory bandwidth and processor bandwidth is required.

A unique feature of the MPEG stream transformation into PES buffers is that the data associated with logical segments

need not be present in the buffer itself, as presented above. When a PES buffer is written to storage, these logical segments are written to the storage medium in the logical order in which they appear. This has the effect of gathering components of the stream, whether they be in the video, audio or private data circular buffers, into a single linear buffer of stream data on the storage medium. The buffer is read back from the storage medium with a single transfer from the storage media, and the logical segment information is updated to correspond with the actual locations in the buffer **606**. Higher level program logic is unaware of this transformation, since it handles only the logical segments, thus stream data is easily managed without requiring that the data ever be copied between locations in DRAM by the CPU.

A unique aspect of the Media Switch is the ability to handle high data rates effectively and inexpensively. It performs the functions of taking video and audio data in, sending video and audio data out, sending video and audio data to disk, and extracting video and audio data from the disk on a low cost platform. Generally, the Media Switch runs asynchronously and autonomously with the microprocessor CPU, using its DMA capabilities to move large quantities of information with minimal intervention by the CPU.

Referring FIG. 7, the input side of the Media Switch **701** is connected to an MPEG encoder **703**. There are also circuits specific to MPEG audio **704** and vertical blanking interval (VBI) data **702** feeding into the Media Switch **701**. If a digital TV signal is being processed instead, the MPEG encoder **703** is replaced with an MPEG2 Transport Demultiplexor, and the MPEG audio encoder **704** and VBI decoder **702** are deleted. The demultiplexor sends the extracted audio, video and private data channel streams through the video input Media Switch port.

The parser **705** parses the input data stream from the MPEG encoder **703**, audio encoder **704** and VBI decoder **702**, or from the transport demultiplexor in the case of a digital TV stream. The parser **705** detects the beginning of all of the important events in a video or audio stream, the start of all of the frames, the start of sequence headers—all of the pieces of information that the program logic needs to know about in order to both properly play back and perform special effects on the stream, e.g. fast forward, reverse, play, pause, fast/slow play, indexing, and fast/slow reverse play.

The parser **705** places tags **707** into the FIFO **706** when it identifies video or audio segments, or is given private data. The DMA **709** controls when these tags are taken out. The tags **707** and the DMA addresses of the segments are placed into the event queue **708**. The frame type information, whether it is a start of a video I-frame, video B-frame, video P-frame, video PES, audio PES, a sequence header, an audio frame, or private data packet, is placed into the event queue **708** along with the offset in the related circular buffer where the piece of information was placed. The program logic operating in the CPU **713** examines events in the circular buffer after it is transferred to the DRAM **714**.

The Media Switch **701** has a data bus **711** that connects to the CPU **713** and DRAM **714**. An address bus **712** is also shared between the Media Switch **701**, CPU **713**, and DRAM **714**. A hard disk or storage device **710** is connected to one of the ports of the Media Switch **701**. The Media Switch **701** outputs streams to an MPEG video decoder **715** and a separate audio decoder **717**. The audio decoder **717** signals contain audio cues generated by the system in response to the user's commands on a remote control or other internal events. The decoded audio output from the MPEG decoder is digi-

tally mixed **718** with the separate audio signal. The resulting signals contain video, audio, and on-screen displays and are sent to the TV **716**.

The Media Switch **701** takes in 8-bit data and sends it to the disk, while at the same time extracts another stream of data off of the disk and sends it to the MPEG decoder **715**. All of the DMA engines described above can be working at the same time. The Media Switch **701** can be implemented in hardware using a Field Programmable Gate Array (FPGA), ASIC, or discrete logic.

Rather than having to parse through an immense data stream looking for the start of where each frame would be, the program logic only has to look at the circular event buffer in DRAM **714** and it can tell where the start of each frame is and the frame type. This approach saves a large amount of CPU power, keeping the real time requirements of the CPU **713** small. The CPU **713** does not have to be very fast at any point in time. The Media Switch **701** gives the CPU **713** as much time as possible to complete tasks. The parsing mechanism **705** and event queue **708** decouple the CPU **713** from parsing the audio, video, and buffers and the real time nature of the streams, which allows for lower costs. It also allows the use of a bus structure in a CPU environment that operates at a much lower clock rate with much cheaper memory than would be required otherwise.

The CPU **713** has the ability to queue up one DMA transfer and can set up the next DMA transfer at its leisure. This gives the CPU **713** large time intervals within which it can service the DMA controller **709**. The CPU **713** may respond to a DMA interrupt within a larger time window because of the large latency allowed. MPEG streams, whether extracted from an MPEG2 Transport or encoded from an analog TV signal, are typically encoded using a technique called Variable Bit Rate encoding (VBR). This technique varies the amount of data required to represent a sequence of images by the amount of movement between those images. This technique can greatly reduce the required bandwidth for a signal, however sequences with rapid movement (such as a basketball game) may be encoded with much greater bandwidth requirements. For example, the Hughes DirecTV satellite system encodes signals with anywhere from 1 to 10 Mb/s of required bandwidth, varying from frame to frame. It would be difficult for any computer system to keep up with such rapidly varying data rates without this structure.

With respect to FIG. **8**, the program logic within the CPU has three conceptual components: sources **801**, transforms **802**, and sinks **803**. The sources **801** produce buffers of data. Transforms **802** process buffers of data and sinks **803** consume buffers of data. A transform is responsible for allocating and queuing the buffers of data on which it will operate. Buffers are allocated as if "empty" to sources of data, which give them back "full". The buffers are then queued and given to sinks as "full", and the sink will return the buffer "empty".

A source **801** accepts data from encoders, e.g., a digital satellite receiver. It acquires buffers for this data from the downstream transform, packages the data into a buffer, then pushes the buffer down the pipeline as described above. The source object **801** does not know anything about the rest of the system. The sink **803** consumes buffers, taking a buffer from the upstream transform, sending the data to the decoder, and then releasing the buffer for reuse.

There are two types of transforms **802** used: spatial and temporal. Spatial transforms are transforms that perform, for example, an image convolution or compression/decompression on the buffered data that is passing through. Temporal transforms are used when there is no time relation that is expressible between buffers going in and buffers coming out

of a system. Such a transform writes the buffer to a file **804** on the storage medium. The buffer is pulled out at a later time, sent down the pipeline, and properly sequenced within the stream.

Referring to FIG. **9**, a C++ class hierarchy derivation of the program logic is shown. The TiVo Media Kernel (Tmk) **904**, **908**, **913** mediates with the operating system kernel. The kernel provides operations such as: memory allocation, synchronization, and threading. The TmkCore **904**, **908**, **913** structures memory taken from the media kernel as an object. It provides operators, new and delete, for constructing and deconstructing the object. Each object (source **901**, transform **902**, and sink **903**) is multi-threaded by definition and can run in parallel.

The TmkPipeline class **905**, **909**, **914** is responsible for flow control through the system. The pipelines point to the next pipeline in the flow from source **901** to sink **903**. To pause the pipeline, for example, an event called "pause" is sent to the first object in the pipeline. The event is relayed on to the next object and so on down the pipeline. This all happens asynchronously to the data going through the pipeline. Thus, similar to applications such as telephony, control of the flow of MPEG streams is asynchronous and separate from the streams themselves. This allows for a simple logic design that is at the same time powerful enough to support the features described previously, including pause, rewind, fast forward and others. In addition, this structure allows fast and efficient switching between stream sources, since buffered data can be simply discarded and decoders reset using a single event, after which data from the new stream will pass down the pipeline. Such a capability is needed, for example, when switching the channel being captured by the input section, or when switching between a live signal from the input section and a stored stream.

The source object **901** is a TmkSource **906** and the transform object **902** is a TmkXfm **910**. These are intermediate classes that define standard behaviors for the classes in the pipeline. Conceptually, they handshake buffers down the pipeline. The source object **901** takes data out of a physical data source, such as the Media Switch, and places it into a PES buffer. To obtain the buffer, the source object **901** asks the down stream object in his pipeline for a buffer (allocEmptyBuf). The source object **901** is blocked until there is sufficient memory. This means that the pipeline is self-regulating; it has automatic flow control. When the source object **901** has filled up the buffer, it hands it back to the transform **902** through the pushFullBuf function.

The sink **903** is flow controlled as well. It calls nextFullBuf which tells the transform **902** that it is ready for the next filled buffer. This operation can block the sink **903** until a buffer is ready. When the sink **903** is finished with a buffer (i.e., it has consumed the data in the buffer) it calls releaseEmptyBuf. ReleaseEmptyBuf gives the buffer back to the transform **902**. The transform **902** can then hand that buffer, for example, back to the source object **901** to fill up again. In addition to the automatic flow-control benefit of this method, it also provides for limiting the amount of memory dedicated to buffers by allowing enforcement of a fixed allocation of buffers by a transform. This is an important feature in achieving a cost-effective limited DRAM environment.

The MediaSwitch class **909** calls the allocEmptyBuf method of the TmkClipCache **912** object and receives a PES buffer from it. It then goes out to the circular buffers in the Media Switch hardware and generates PES buffers. The MediaSwitch class **909** fills the buffer up and pushes it back to the TmkClipCache **912** object.

The TmkClipCache **912** maintains a cache file **918** on a storage medium. It also maintains two pointers into this cache: a push pointer **919** that shows where the next buffer coming from the source **901** is inserted; and a current pointer **920** which points to the current buffer used.

The buffer that is pointed to by the current pointer is handed to the Vela decoder class **916**. The Vela decoder class **916** talks to the decoder **921** in the hardware. The decoder **921** produces a decoded TV signal that is subsequently encoded into an analog TV signal in NTSC, PAL or other analog format. When the Vela decoder class **916** is finished with the buffer it calls `releaseEmptyBuf`.

The structure of the classes makes the system easy to test and debug. Each level can be tested separately to make sure it performs in the appropriate manner, and the classes may be gradually aggregated to achieve the desired functionality while retaining the ability to effectively test each object.

The control object **917** accepts commands from the user and sends events into the pipeline to control what the pipeline is doing. For example, if the user has a remote control and is watching TV, the user presses pause and the control object **917** sends an event to the sink **903**, that tells it pause. The sink **903** stops asking for new buffers. The current pointer **920** stays where it is at. The sink **903** starts taking buffers out again when it receives another event that tells it to play. The system is in perfect synchronization; it starts from the frame that it stopped at.

The remote control may also have a fast forward key. When the fast forward key is pressed, the control object **917** sends an event to the transform **902**, that tells it to move forward two seconds. The transform **902** finds that the two second time span requires it to move forward three buffers. It then issues a reset event to the downstream pipeline, so that any queued data or state that may be present in the hardware decoders is flushed. This is a critical step, since the structure of MPEG streams requires maintenance of state across multiple frames of data, and that state will be rendered invalid by repositioning the pointer. It then moves the current pointer **920** forward three buffers. The next time the sink **903** calls `nextFullBuf` it gets the new current buffer. The same method works for fast reverse in that the transform **902** moves the current pointer **920** backwards.

A system clock reference resides in the decoder. The system clock reference is sped up for fast play or slowed down for slow play. The sink simply asks for full buffers faster or slower, depending on the clock speed. With respect to FIG. **10**, two other objects derived from the TmkXfrm class are placed in the pipeline for disk access. One is called TmkClipReader **1003** and the other is called TmkClipWriter **1001**. Buffers come into the TmkClipWriter **1001** and are pushed to a file on a storage medium **1004**. TmkClipReader **1003** asks for buffers which are taken off of a file on a storage medium **1005**. A TmkClipReader **1003** provides only the `allocEmptyBuf` and `pushFullBuf` methods, while a TmkClipWriter **1001** provides only the `nextFullBuf` and `releaseEmptyBuf` methods. A TmkClipReader **1003** therefore performs the same function as the input, or "push" side of a TmkClipCache **1002**, while a TmkClipWriter **1001** therefore performs the same function as the output, or "pull" side of a TmkClipCache **1002**.

Referring to FIG. **11**, a preferred embodiment that accomplishes multiple functions is shown. A source **1101** has a TV signal input. The source sends data to a PushSwitch **1102** which is a transform derived from TmkXfrm. The PushSwitch **1102** has multiple outputs that can be switched by the control object **1114**. This means that one part of the pipeline can be stopped and another can be started at the users whim.

The user can switch to different storage devices. The PushSwitch **1102** could output to a TmkClipWriter **1106**, which goes onto a storage device **1107** or write to the cache transform **1103**.

An important feature of this apparatus is the ease with which it can selectively capture portions of an incoming signal under the control of program logic. Based on information such as the current time, or perhaps a specific time span, or perhaps via a remote control button press by the viewer, a TmkClipWriter **1106** may be switched on to record a portion of the signal, and switched off at some later time. This switching is typically caused by sending a "switch" event to the PushSwitch **1102** object.

An additional method for triggering selective capture is through information modulated into the VBI or placed into an MPEG private data channel. Data decoded from the VBI or private data channel is passed to the program logic. The program logic examines this data to determine if the data indicates that capture of the TV signal into which it was modulated should begin. Similarly, this information may also indicate when recording should end, or another data item may be modulated into the signal indicating when the capture should end. The starting and ending indicators may be explicitly modulated into the signal or other information that is placed into the signal in a standard fashion may be used to encode this information.

With respect to FIG. **12**, an example is shown which demonstrates how the program logic scans the words contained within the closed caption (CC) fields to determine starting and ending times, using particular words or phrases to trigger the capture. A stream of NTSC or PAL fields **1201** is presented. CC bytes are extracted from each odd field **1202**, and entered in a circular buffer **1203** for processing by the Word Parser **1204**. The Word Parser **1204** collects characters until it encounters a word boundary, usually space, period or other delineating character. Recall from above, that the MPEG audio and video segments are collected into a series of fixed-size PES buffers. A special segment is added to each PES buffer to hold the words extracted from the CC field **1205**. Thus, the CC information is preserved in time synchronization with the audio and video, and can be correctly presented to the viewer when the stream is displayed. This also allows the stored stream to be processed for CC information at the leisure of the program logic, which spreads out load, reducing cost and improving efficiency. In such a case, the words stored in the special segment are simply passed to the state table logic **1206**.

During stream capture, each word is looked up in a table **1206** which indicates the action to take on recognizing that word. This action may simply change the state of the recognizer state machine **1207**, or may cause the state machine **1207** to issue an action request, such as "start capture", "stop capture", "phrase seen", or other similar requests. Indeed, a recognized word or phrase may cause the pipeline to be switched; for example, to overlay a different audio track if undesirable language is used in the program.

Note that the parsing state table **1206** and recognizer state machine **1207** may be modified or changed at any time. For example, a different table and state machine may be provided for each input channel. Alternatively, these elements may be switched depending on the time of day, or because of other events.

Referring to FIG. **11**, a PullSwitch is added **1104** which outputs to the sink **1105**. The sink **1105** calls `nextFullBuf` and `releaseEmptyBuf` to get or return buffers from the PullSwitch **1104**. The PullSwitch **1104** can have any number of inputs. One input could be an ActionClip **1113**. The remote control

can switch between input sources. The control object 1114 sends an event to the PullSwitch 1104, telling it to switch. It will switch from the current input source to whatever input source the control object selects.

An ActionClip class provides for sequencing a number of different stored signals in a predictable and controllable manner, possibly with the added control of viewer selection via a remote control. Thus, it appears as a derivative of a TmkXfrm object that accepts a "switch" event for switching to the next stored signal.

This allows the program logic or user to create custom sequences of video output. Any number of video segments can be lined up and combined as if the program logic or user were using a broadcast studio video mixer. TmkClipReaders 1108, 1109, 1110 are allocated and each is hooked into the PullSwitch 1104. The PullSwitch 1104 switches between the TmkClipReaders 1108, 1109, 1110 to combine video and audio clips. Flow control is automatic because of the way the pipeline is constructed. The Push and Pull Switches are the same as video switches in a broadcast studio.

The derived class and resulting objects described here may be combined in an arbitrary way to create a number of different useful configurations for storing, retrieving, switching and viewing of TV streams. For example, if multiple input and output sections are available, one input is viewed while another is stored, and a picture-in-picture window generated by the second output is used to preview previously stored streams. Such configurations represent a unique and novel application of software transformations to achieve the functionality expected of expensive, sophisticated hardware solutions within a single cost-effective device.

With respect to FIG. 13, a high-level system view is shown which implements a VCR backup. The Output Module 1303 sends TV signals to the VCR 1307. This allows the user to record TV programs directly on to video tape. The invention allows the user to queue up programs from disk to be recorded on to video tape and to schedule the time that the programs are sent to the VCR 1307. Title pages (EPG data) can be sent to the VCR 1307 before a program is sent. Longer programs can be scaled to fit onto smaller video tapes by speeding up the play speed or dropping frames.

The VCR 1307 output can also be routed back into the Input Module 1301. In this configuration the VCR acts as a backup system for the Media Switch 1302. Any overflow storage or lower priority programming is sent to the VCR 1307 for later retrieval.

The Input Module 1301 can decode and pass to the remainder of the system information encoded on the Vertical Blanking Interval (VBI). The Output Module 1303 can encode into the output VBI data provided by the remainder of the system. The program logic may arrange to encode identifying information of various kinds into the output signal, which will be recorded onto tape using the VCR 1307. Playing this tape back into the input allows the program logic to read back this identifying information, such that the TV signal recorded on the tape is properly handled. For example, a particular program may be recorded to tape along with information about when it was recorded, the source network, etc. When this program is played back into the Input Module, this information can be used to control storage of the signal, presentation to the viewer, etc.

One skilled in the art will readily appreciate that such a mechanism may be used to introduce various data items to the program logic which are not properly conceived of as television signals. For instance, software updates or other data may be passed to the system. The program logic receiving this data from the television stream may impose controls on how the

data is handled, such as requiring certain authentication sequences and/or decrypting the embedded information according to some previously acquired key. Such a method works for normal broadcast signals as well, leading to an efficient means of providing non-TV control information and data to the program logic.

Additionally, one skilled in the art will readily appreciate that although a VCR is specifically mentioned above, any multimedia recording device (e.g., a Digital Video Disk-Random Access Memory (DVD-RAM) recorder) is easily substituted in its place.

Although the invention is described herein with reference to the preferred embodiment, one skilled in the art will readily appreciate that other applications may be substituted for those set forth herein without departing from the spirit and scope of the present invention. For example, the invention can be used in the detection of gambling casino crime. The input section of the invention is connected to the casino's video surveillance system. Recorded video is cached and simultaneously output to external VCRs. The user can switch to any video feed and examine (i.e., rewind, play, slow play, fast forward, etc.) a specific segment of the recorded video while the external VCRs are being loaded with the real-time input video. Accordingly, the invention should only be limited by the Claims included below.

The invention claimed is:

1. A process for a digital video recorder, comprising the steps of:
  - storing a plurality of multimedia programs in digital form on at least one storage device;
  - wherein a user selects previously recorded multimedia program(s) from said at least one storage device;
  - simultaneously retrieving for play back a video segment from at least one of said selected previously recorded multimedia program(s) and a video segment from a multimedia program whose storage is in progress using video segment identifying information generated by the digital video recorder for at least one video segment in said at least one of said selected previously recorded multimedia program(s) and video segment identifying information generated by the digital video recorder for at least one video segment in said multimedia program whose storage is in progress to cause delivery of selected video segments to an output subsystem, the digital video recorder automatically generating video segment identifying information for specific video segments in multimedia programs as each multimedia program is being stored on said at least one storage device; and
  - wherein said simultaneously retrieving for play back step allows playback rate and direction of each multimedia program to be controlled individually and simultaneously to perform any of: fast forward, rewind, frame step, pause, and play functions.
2. The process of claim 1, wherein said output subsystem converts said at least one of said selected multimedia program(s) and said multimedia program whose storage is in progress into display output signals.
3. The process of claim 2, further comprising the step of: inserting on-screen displays into a display output signal.
4. The process of claim 1, wherein a user controls playback rate and direction of a multimedia program through a remote control.
5. The process of claim 1, wherein said retrieving for play back step sends a multimedia program to a multimedia recording device, allowing a user to record said multimedia program.

13

6. The process of claim 1, further comprising the step of: creating custom sequences of video and/or audio output; and  
 wherein said creating step allows any number of video and/or audio segments of multimedia programs to be lined up and combined and stored on said at least one storage device.

7. The process of claim 1, further comprising the steps of: accepting analog and/or digital multimedia program signals using a plurality of input signal tuners; wherein each of said tuners is individually tuned to a specific multimedia program; and converting analog multimedia program signals into a digital representation.

8. The process of claim 1, further comprising the step of: synchronizing video and audio components for proper playback.

9. The process of claim 7, wherein an input signal tuner receives any of: software updates or data.

10. An apparatus for a digital video recorder, comprising: a module for storing a plurality of multimedia programs in digital form on at least one storage device; wherein a user selects previously recorded multimedia program(s) from said at least one storage device; a module for simultaneously retrieving for play back a video segment from at least one of said selected previously recorded multimedia program(s) and a video segment from a multimedia program whose storage is in progress using video segment identifying information generated by the digital video recorder for at least one video segment in said at least one of said selected previously recorded multimedia program(s) and video segment identifying information generated by the digital video recorder for at least one video segment in said multimedia program whose storage is in progress to cause delivery of selected video segments to an output subsystem, the digital video recorder automatically generating video segment identifying information for specific video segments in multimedia programs as each multimedia program is being stored on said at least one storage device; and  
 wherein said simultaneously retrieving for play back module allows playback rate and direction of each multimedia program to be controlled individually and simultaneously to perform any of: fast forward, rewind, frame step, pause, and play functions.

14

11. The apparatus of claim 10, wherein said output subsystem converts said at least one of said selected multimedia program(s) and said multimedia program whose storage is in progress into display output signals.

12. The apparatus of claim 11, further comprising: a module for inserting on-screen displays into a display output signal.

13. The apparatus of claim 10, wherein a user controls playback rate and direction of a multimedia program through a remote control.

14. The apparatus of claim 10, further comprising: a multimedia recording device, wherein said retrieving for play back module sends a multimedia program to said multimedia recording device, allowing a user to record said multimedia program.

15. The apparatus of claim 10, further comprising: editing means for creating custom sequences of video and/or audio output; and  
 wherein said editing means allows any number of video and/or audio segments of multimedia programs to be lined up and combined and stored on said at least one storage device.

16. The apparatus of claim 10, further comprising: a plurality of input signal tuners; wherein said tuners accept analog and/or digital multimedia program signals; wherein each of said tuners is individually tuned to a specific multimedia program; and a module for converting analog multimedia program signals into a digital representation.

17. The apparatus of claim 10, further comprising the step of: means for synchronizing video and audio components for proper playback.

18. The apparatus of claim 16, wherein an input signal tuner receives any of: software updates or data.

19. The process of claim 1, wherein said playing back step plays back said at least one of said selected multimedia program(s) and said multimedia program whose storage is in progress in a picture in a picture format to a display device.

20. The process of claim 10, wherein said playing back module plays back said at least one of said selected multimedia program(s) and said multimedia program whose storage is in progress in a picture in a picture format to a display device.

\* \* \* \* \*



UNITED STATES PATENT AND TRADEMARK OFFICE  
**CERTIFICATE OF CORRECTION**

PATENT NO. : 7,529,465 B2  
APPLICATION NO. : 10/081776  
DATED : May 5, 2009  
INVENTOR(S) : James M. Barton et al.

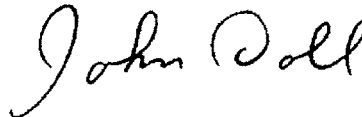
Page 1 of 1

It is certified that error appears in the above-identified patent and that said Letters Patent is hereby corrected as shown below:

In Claim 20, at column 14, line 41: "process" should be --apparatus--

Signed and Sealed this

Twenty-third Day of June, 2009



JOHN DOLL  
*Acting Director of the United States Patent and Trademark Office*

UNITED STATES PATENT AND TRADEMARK OFFICE  
**CERTIFICATE OF CORRECTION**

PATENT NO. : 7,529,465 B2  
APPLICATION NO. : 10/081776  
DATED : May 5, 2009  
INVENTOR(S) : James M. Barton et al.

Page 1 of 1

It is certified that error appears in the above-identified patent and that said Letters Patent is hereby corrected as shown below:

On the Title page,

(74) *Attorney, Agent, or Firm* – Before “Hickman Palermo Truong & Becker LLP” insert --Kirk D. Wong--

In Claim 7, at column 13, line 8, delete “steps” and insert therefor --step--  
at column 13, line 10, after “tuners;” insert --and--  
at column 13, lines 12-14, after “program;” delete “and converting analog multimedia  
program signals into a digital representation”

In Claim 8, at column 13, line 15, after “claim” delete “1” and insert therefor --7--

In Claim 15, at column 14, line 17, after “comprising;” delete “editing means” and insert therefor  
--a module--

In Claim 15, at column 14, line 19, after “said” delete “editing means” and insert therefor --creating  
module--

In Claim 16, at column 14, line 26, after “signals;” insert --and--

In Claim 16, at column 14, lines 28-30, delete “and a module for converting analog multimedia  
program signals into a digital representation”

In Claim 17, at column 14, line 31, delete “10” and insert therefor --16--

In Claim 17, at column 14, lines 31 and 32, after “comprising” delete “the step of: means” and insert  
therefor --a module--

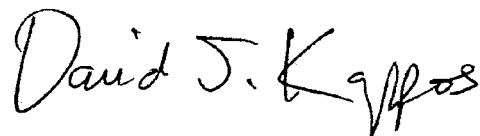
In Claim 19, at column 14, line 37, after “said” delete “playing” and insert therefor --play--

In Claim 20, at column 14, line 41, after “the” delete “process” and insert therefor --apparatus--

In Claim 20, at column 14, line 41, after “said” delete “playing” and insert therefor --play--

Signed and Sealed this

Fifth Day of January, 2010



David J. Kappos  
*Director of the United States Patent and Trademark Office*