

# Exhibit B



US008166096B1

(12) **United States Patent**  
**Odom**

(10) **Patent No.:** **US 8,166,096 B1**  
(45) **Date of Patent:** **\*Apr. 24, 2012**

(54) **DISTRIBUTED MULTIPLE-TIER TASK ALLOCATION**

(76) Inventor: **Gary Odom**, Portland, OR (US)

(\*) Notice: Subject to any disclaimer, the term of this patent is extended or adjusted under 35 U.S.C. 154(b) by 0 days.

This patent is subject to a terminal disclaimer.

(21) Appl. No.: **13/208,404**

(22) Filed: **Aug. 12, 2011**

**Related U.S. Application Data**

(63) Continuation of application No. 10/228,588, filed on Aug. 26, 2002, now Pat. No. 8,024,395.

(60) Provisional application No. 60/317,108, filed on Sep. 4, 2001.

(51) **Int. Cl.**  
**G06F 15/16** (2006.01)

(52) **U.S. Cl.** ..... 709/201; 709/223; 709/226

(58) **Field of Classification Search** ..... 709/201,  
709/223-226; 718/105

See application file for complete search history.

(56) **References Cited**

**U.S. PATENT DOCUMENTS**

3,662,401 A	5/1972	Collins et al.	
5,025,369 A	6/1991	Schwartz	
5,815,793 A *	9/1998	Ferguson	725/131
6,112,225 A	8/2000	Kraft et al.	
6,148,323 A *	11/2000	Whitner et al.	
6,167,427 A	12/2000	Rabinovich et al.	
6,192,388 B1	2/2001	Cajolet	
6,263,358 B1	7/2001	Lee et al.	
6,370,560 B1	4/2002	Robertazzi et al.	
6,418,462 B1 *	7/2002	Xu	
6,463,457 B1 *	10/2002	Armentrout et al.	709/201

6,775,831 B1	8/2004	Carrasco et al.	
6,782,422 B1	8/2004	Bahl et al.	
6,826,753 B1	11/2004	Dageville et al.	
6,941,365 B2 *	9/2005	Sirgany	
7,013,344 B2 *	3/2006	Megiddo	709/232
7,085,853 B2 *	8/2006	Volkov et al.	
7,103,628 B2 *	9/2006	Neiman et al.	
7,155,722 B1 *	12/2006	Hilla et al.	
7,188,113 B1	3/2007	Thusoo	
7,243,121 B2 *	7/2007	Neiman et al.	709/201
7,383,426 B2	6/2008	Chung et al.	
7,647,593 B2 *	1/2010	Matsumoto	
7,668,800 B2	2/2010	Motoyama et al.	
7,693,931 B2 *	4/2010	Polan	
7,835,022 B2 *	11/2010	Matsumoto	358/1.15
7,849,178 B2	12/2010	Shen et al.	
7,936,469 B2 *	5/2011	Gregory	358/1.15
2003/0028640 A1 *	2/2003	Malik	
2003/0028645 A1 *	2/2003	Romagnoli	
2003/0050955 A1 *	3/2003	Eatough et al.	

(Continued)

**OTHER PUBLICATIONS**

Kao, "Subtask deadline assignment for complex distributed soft real-time tasks," Proceedings of the 14th International Conference on Distributed Computing Systems, 1994; Jun. 21-24, 1994; pp. 172-181, USA.

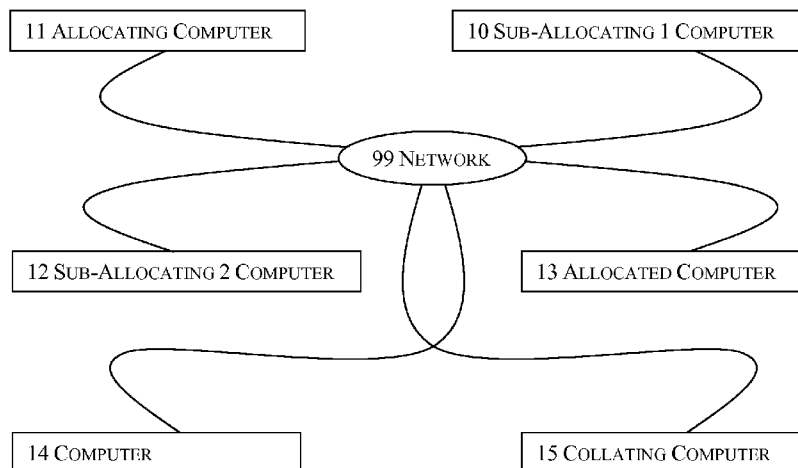
(Continued)

Primary Examiner — Faruk Hamza

(57) **ABSTRACT**

Described is a system and methods for multiple tier distribution of task portions for distributed processing. Essentially, a task is divided into portions by a first computer and a task portion transferred to second participatory computer on the network, whereupon an allocated task portion is again portioned by the second computer into subtask portions, and a subtask portion transferred by the second computer to a third participatory computer on the network, whereby distributed processing transpires, and results collated as required.

**20 Claims, 6 Drawing Sheets**



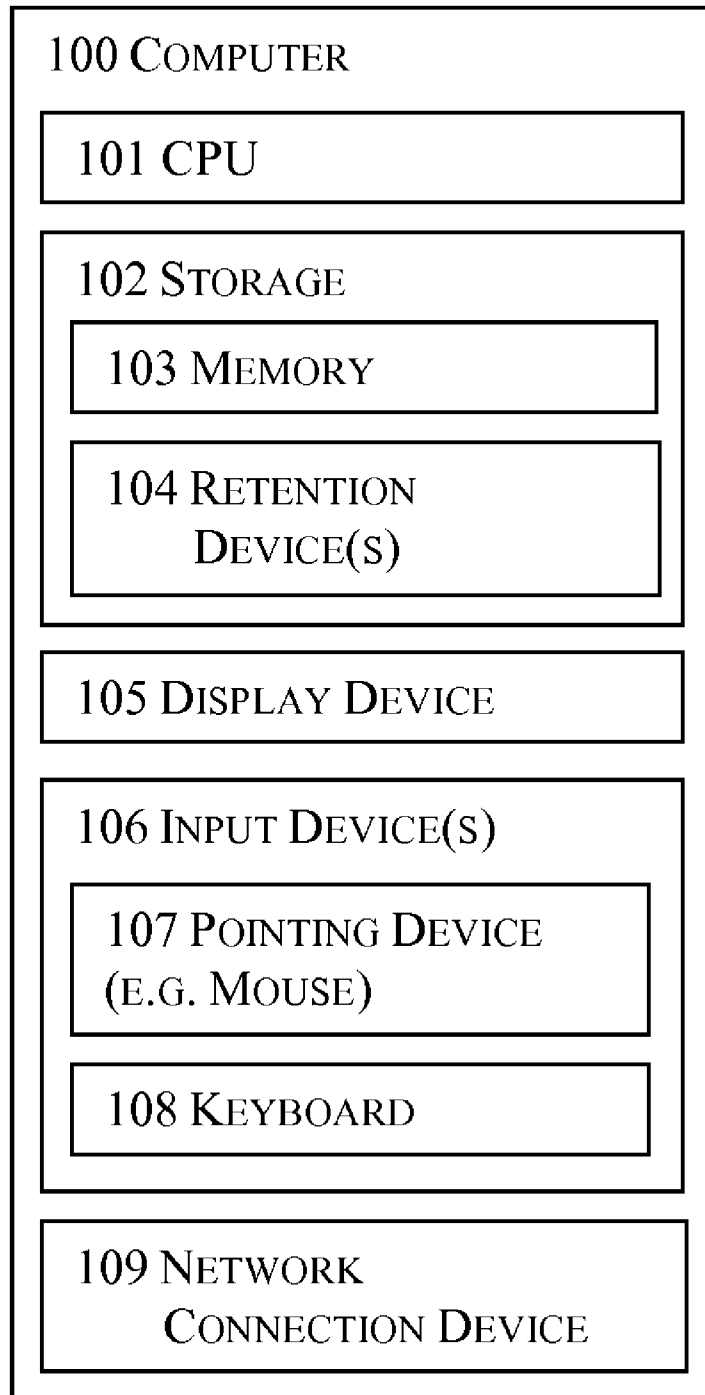
U.S. PATENT DOCUMENTS

2003/0061264 A1\* 3/2003 Benhase et al.  
2003/0158887 A1\* 8/2003 Megiddo  
2004/0045002 A1 3/2004 Berger et al.  
2004/0264503 A1 12/2004 Draves  
2008/0216859 A1 9/2008 Chan  
2009/0204470 A1 8/2009 Weyl et al.

OTHER PUBLICATIONS

Lee, "Some simple task assignment problems for distributed networked agents," Fourth International Conference on Knowledge-Based Intelligent Engineering Systems and Allied Technologies, 2000. Proceedings. vol. 1, Aug. 30-Sep. 1, 2000 pp. 305-308, USA.

\* cited by examiner



**FIGURE 1**

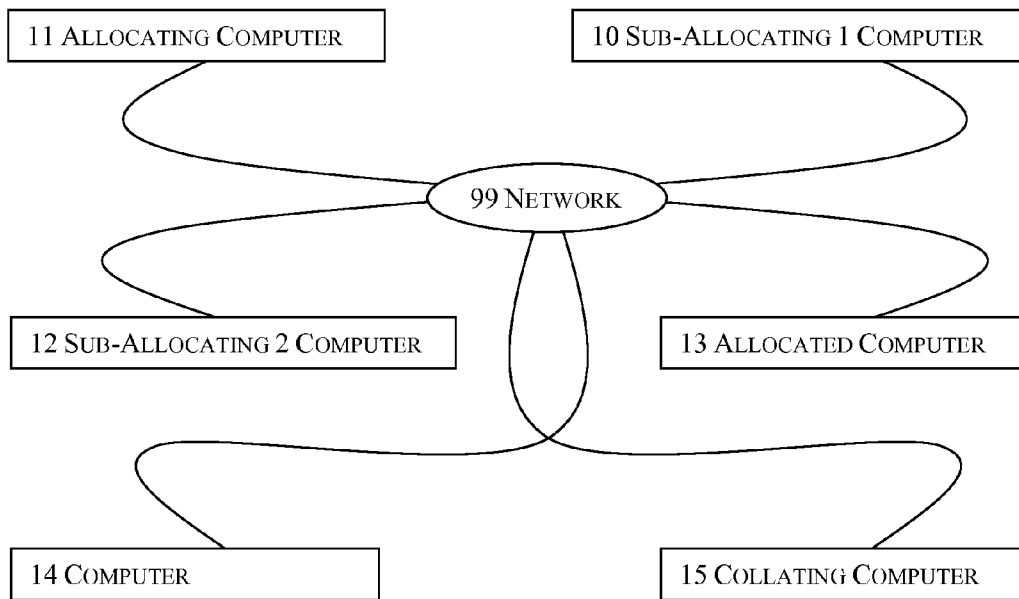


FIGURE 2

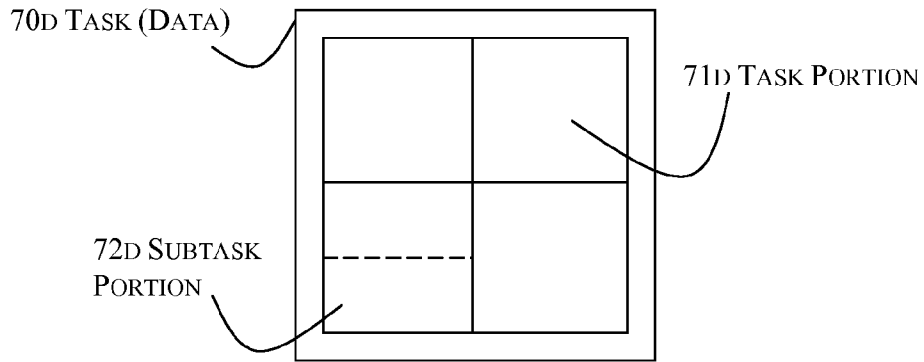


FIGURE 3A

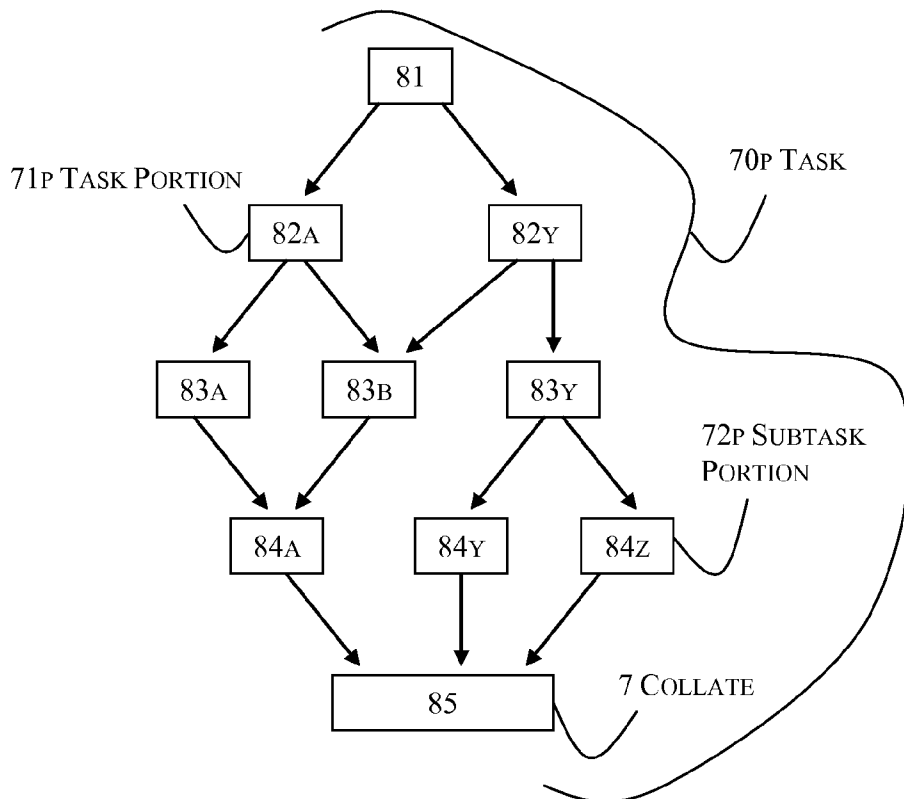


FIGURE 3B

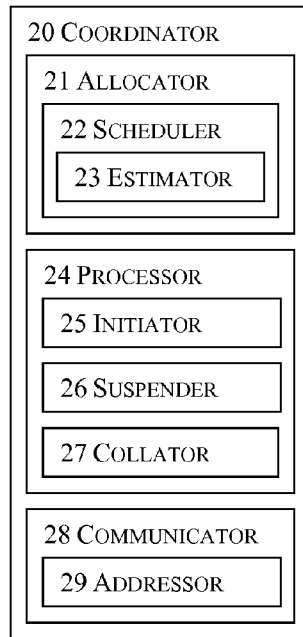


FIGURE 4

60 (SUB)TASK PORTION	61 MESSAGE TYPE	62 DATA	63 CODE	64 STATUS / DIRECTIVE	65 RESULTS
IDENTIFIABLE BY DIVISION	ACTION-SPECIFIC (E.G. ALLOCATE, CANCEL, RESULT, COLLATE)	(SUB)TASK DATA OR DATA REFERENCE	SOFTWARE OR SW REFERENCE	DEPENDS ON MESSAGE TYPE	DEPENDS ON MESSAGE TYPE

FIGURE 5

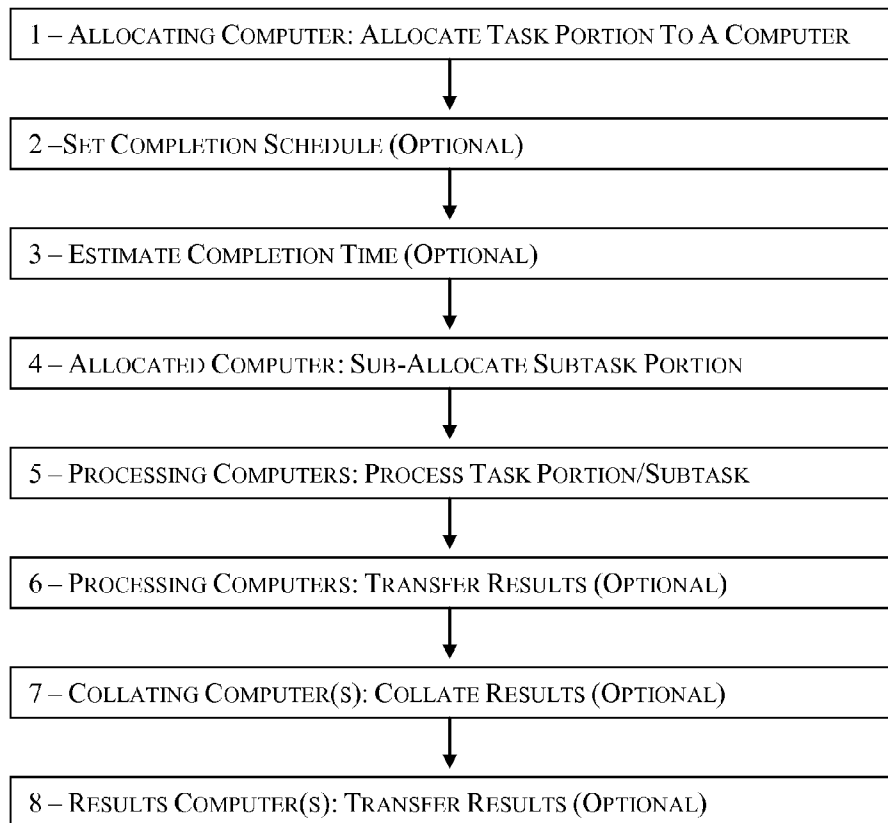


FIGURE 6



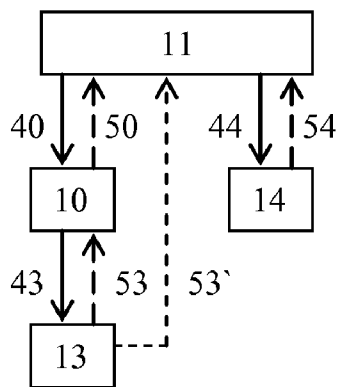


FIGURE 7A

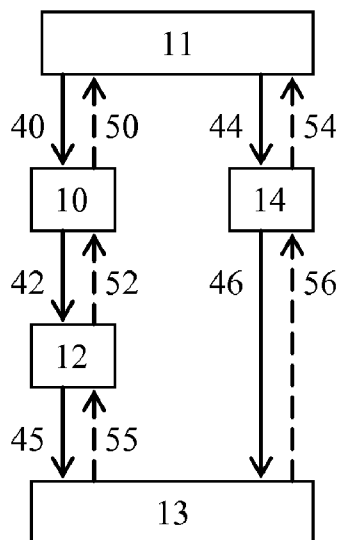


FIGURE 7B

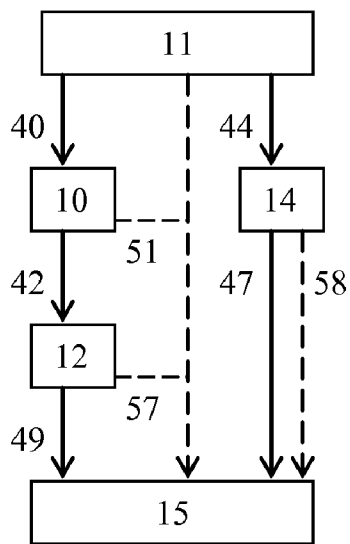


FIGURE 7C

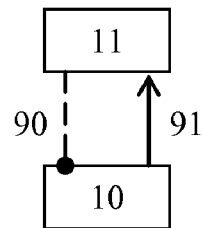
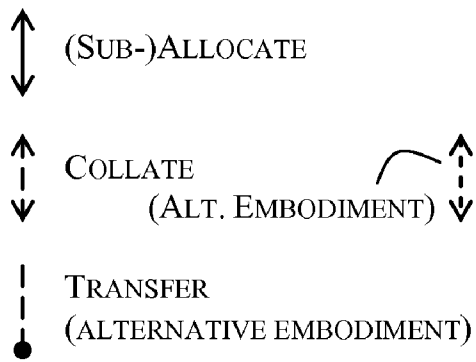


FIGURE 7D

1

## DISTRIBUTED MULTIPLE-TIER TASK ALLOCATION

### CROSS-REFERENCE TO RELATED APPLICATIONS

Compliant with 35 U.S.C. §120, this application is a continuation of U.S. patent application Ser. No. 10/228,588, filed Aug. 26, 2002, now U.S. Pat. No. 8,024,395, which claims priority benefit under 35 U.S.C. §119(e) of U.S. Provisional Application No. 60/317,108, filed Sep. 4, 2001.

### STATEMENT REGARDING FEDERALLY SPONSORED RESEARCH OR DEVELOPMENT

Not Applicable

### THE NAMES OF THE PARTIES TO A JOINT RESEARCH AGREEMENT

Not Applicable

### INCORPORATION-BY-REFERENCE OF MATERIAL SUBMITTED ON A COMPACT DISC

Not Applicable

### BACKGROUND OF THE INVENTION

#### 1. Field of the Invention

The relevant technical field is computer software, specifically distributed processing in a networked environment.

#### 2. Description of the Related Art Including Information Disclosed Under 37 CFR 1.97 and 1.98

In what is not ironically called a "network effect", the advantage of distributed processing is positively correlated to availability of powerful computers in a networked environment. This trend is especially encouraged by always-on broadband connection to the ultimate wide-area network: the Internet.

U.S. Pat. No. 6,192,388 details "detecting available computers to participate in computationally complex distributed processing problems", and switching an allocated task portion to a different computer if the one first assigned the task portion becomes occupied. 6,192,388 also describes some of the resource factors involved in determining whether to allocate a task portion to a computer.

With some content overlap to the earlier-filed 6,192,388, U.S. Pat. No. 6,112,225 describes a "task distribution processing system and the method for subscribing computers to perform computing tasks during idle time", and goes into detail as to various ways of specifying "idle time". Both 6,192,388 and 6,112,225, incorporated herein by reference, use the same computer for allocating, monitoring and re-allocating task portions.

U.S. Pat. No. 6,263,358 discloses sophisticated regimes of scheduling of distributed processing tasks using software agents. In the face of schedule slippage, such a system relies upon coordination among multiple agents to work effectively.

U.S. Pat. No. 6,370,560 discloses "a load sharing system . . . . A controller divides a divisible load or task and assigns each segment of the load or task to a processor platform based on the processor platform's resource utilization cost and data link cost."

### BRIEF SUMMARY OF THE INVENTION

Multiple tier task allocation maximizes flexibility and productivity of distributed processing participatory computers.

2

A computer which has been allocated a distributed processing task portion may itself determine to reallocate a portion of its subtask, for example, in order to meet a schedule, or if its performance profile deteriorates below expectation. The described technology localizes further (sub)task portion allocation control to computers having been assigned task portions.

Further task processing division to other computers on the network may be extended to initial task portioning, scheduling, and results collation.

Admittedly, only those tasks capable of being subdivided in some manner may benefit from the described technology.

### BRIEF DESCRIPTION OF THE SEVERAL VIEWS OF THE DRAWINGS

FIG. 1 is a block diagram of a suitable computer.

FIG. 2 depicts an example computer network.

FIG. 3 depicts example tasks.

FIG. 4 depicts relevant distributed processing application components.

FIG. 5 depicts an abstract of a distributed processing message.

FIG. 6 depicts distributed processing steps.

FIG. 7 depicts examples of processing distribution and results collation.

### DETAILED DESCRIPTION OF THE INVENTION

FIG. 1 is a block diagram of a computer **100** which comprises at least a CPU **101**; storage **102**, which comprises memory **103** and optionally one or more devices with retention medium(s) **104** such as hard disks, diskettes, compact disks (e.g. CD-ROM), or tape; a device **109** for connection to a network **99**; an optional display device **105**; and optionally one or more input devices **106**, examples of which include but are not exclusive to, a keyboard **108**, and/or one or more pointing devices **107**, such as a mouse. Such a computer **100** is suitable for the described technology.

FIG. 2 is a block diagram of distributed processing participatory computers **100** connected to each other through a network **99**. Computers **100** are participatory based upon having installed required software and, optionally, meeting specified conditions for participation. Example conditions include sufficient processing power, storage, network bandwidth or reliability, or adequate security precautions, such as a particular installed operating system.

Computer **11** in FIG. 2 is depicted in the role of an allocating computer, signifying initial allocation of task portions. Likewise, other computers in FIG. 2 are signified by their roles. FIGS. 2, 6, and 7 are used for example explanation of the technology. The roles of computers are envisioned as transitory: for example, a computer initiating distributed processing and allocating task portions for its task may next have a task or sub-task portion allocated to it by another computer in a succeeding task.

A network **99** may be any means by which computers are connected for software program or data transfer. The described technology relies upon network connectivity, including inter-application messaging and data or software transfer capabilities that are well known.

Participatory computers have software installed enabling the desired distributed processing. The software may be installed by download through network **99** connection, or via a more traditional local retention medium, such as CD-ROM or floppy disk.

The desired distributing processing may take various forms. FIG. 3 illustrates examples.

One example is a divisible and distributable chunk of data requiring a single processing, as depicted in FIG. 3a, split into portions so that the various participatory computers can process the data portions. The task data 70d is shown portioned into equal quarter task portions 71d. A task portion has been further split into subtask portions 72d.

An example at the other end of the spectrum, depicted in FIG. 3b, is a series of processing steps which to some extent may overlap, whereby each of the participatory computers performs some portion of the task 70. Task 70p processing can be portioned into task portions 71p (82a-84a and 82y-84y/z). Further, a subtask portion 72p could be allocated at specific processing steps (83a/b or 84y/z). Note that synchronization may be an issue, such as in FIG. 3b where processing step 83b requires the output of preceding steps 82a and 82y to proceed. There may also be a results collation 85 step. Between the extreme examples lies divisible and distributable data capable of being processed in an overlap (not exclusively serial) manner.

One possible employment scenario for the described technology is a set of participatory computers running one or more applications which intermittently require intermittent excessive (to a single computer) processing. Distributed processing may be used as a remedy for those times when a singular computer may otherwise bog down or be insufficient. In this scenario, any computer with excessive processing needs may initiate shared task processing, either by direct allocation of task portions, or by directing another computer to perform task portion allocation and attendant processing.

Note that the term "allocate" and its conjugations may refer to initial allocation or subsequent sub-allocation—after all, the allocation process is self-similar. In the preferred embodiment, allocation (and sub-allocation) necessarily implies portioning of a (sub)task prior to transferring a portion to another computer. In an alternative embodiment, depicted in FIG. 7d, a task or (sub)task portion may be (sub-)allocated by transfer 90 of the (sub)task to another computer 10 prior to any portioning by the initially transferring computer 11, with a request or directive that a portion be (sub-)allocated 91 to the computer 11 initiating the transfer, thus putting the overhead of (sub-)allocation on the recipient 10 rather than the initially transferring computer 11.

FIG. 4 depicts an exemplary embodiment of relevant components of a distributed processing program, some of which are optional, depending upon embodiment; other components, such as user interface, event handling, and the actual processing modules, likely exist. Components may have different configurations in different embodiments.

While an application program is used as the preferred embodiment, an alternative preferred embodiment may incorporate all or portions of the described distributed processing functionality in an operating system.

An overall coordinator 20 may be employed to ensure proper interaction between the relevant distributed processing modules. In one embodiment, certain modules may be missing from an application on a particular computer, in which case the coordinator 20 would know the (limited) capabilities of the application, and compensate accordingly. Operationally, that compensation may take the form of knowing, by an addressor 29 with a database tracking such capabilities, of suitable computers with adequate capabilities to take on jobs which a coordinator 20 needs to off-load.

For example, a computer with limited storage or processing power may not have a scheduler 22 or collator 27, whereby a coordinator 20 off-loads those jobs to an appro-

priate computer. A powerful computer with relative poor network capacity (speed or reliability) may be shunned from communication-intensive jobs, such as collation 7. In this embodiment, the distributed processing application may be heterogeneous, comprising relative capabilities according to computer capacity.

Messages are passed as required, including, for example, the following types of messages 61: (sub)task portion allocation; data 62 or code 63 transfer; cancellation; scheduling; directives or estimation initiation or results; processing: directives (such as initiation, suspension, or collation) and results 65. FIG. 5 depicts an abstract of a distributed processing message; intended for conceptual understanding and suggestion, not specific implementation (as this message format is not particularly efficient). Not all fields shown would necessarily be used for each message type 61, and other fields may be required depending upon message type 61 or embodiment.

(Sub)task portions may be identifiable by its division, such as, for example:  $\frac{2}{5}$ - $\frac{1}{4}$ - $\frac{2}{3}$ , where each set of number indicates a (sub)task division.  $\frac{2}{5}$ , for example, would be part 2 of 5 portions. The point is to allow portioning by an allocator 21 and recombination of results by a collator 27. A table or database may be kept and transferred as necessary that identifies actual and/or possible (sub)task portions.

Data 62 or executable software code 63 or references to them may be transferred via messaging. Status/directive 64 and result 65 depend on message type 61.

Keeping track of processing times of allocated (sub)tasks (including CPU overhead and other performance factors) by computer is recommended as a way to calibrate future allocations.

FIG. 6 outlines the steps for the described multiple tier distributed processing. FIG. 7 illustrates examples of the distribution process.

An allocating computer 11 allocates a portion of a task to another computer 10 in step 1. As depicted in FIG. 7a, an allocating computer 11 may allocate task portions to multiple computers (11 and 14). An allocator 21 may be employed for task and subtask portioning and transfer, and for tracking such (sub-)allocations and portions.

Optionally, an allocating 11 (or sub-allocating 10) or allocated 13 computer may set a completion schedule (step 2) for the time by which results should be available. Depending upon the nature of the task, a schedule may be a single completion time for an allocated portion, or for intermediate computations as well. Ostensibly, a schedule is the *raison d'être* for multiple tier subtask sub-allocation, but subtask sub-allocation may be driven by anticipation of available resources which later fail to appear forthcoming. For example, an allocated computer 13 may become busier than historical usage would indicate, making (sub)task portion offloading prudent.

If scheduling is a factor, an estimated completion time calculation (step 3) is advised. The availability and speed of resources, such as processor(s) 101 and storage 102, may naturally figure into such calculation. Estimation calculations may be done by any participatory computer with sufficient information.

As depicted in FIG. 4, an allocator 21 may employ a scheduler 22, which may employ an estimator 23, to perform processing steps 3 and 2 respectively.

The overhead of distribution may be considered by an estimator 23 or scheduler 22 as a factor in (sub-)allocation. Distribution overhead includes the time and resources to portion and distribute subtask portions, and to collect and collate results. Depending on the network, communication lags may

## 5

also be a factor. Excessive (sub)task portion (sub-)allocation granularity is conceivable and should be accounted for. A suggested rule is that estimate of (sub-)allocation should be a fraction of estimated processing time if processing time is the bottleneck; storage **102** capacity or other such bottlenecks necessitate similar consideration.

An estimate of processing capability may be ascertained for a computer targeted for processing prior to (sub-)allocation, so as to portion (sub)tasks accordingly.

For whatever reason, in step **4**, a computer **10** with an allocated task portion **71** decides to sub-allocate a portion **72** of its allotted subtask to another computer **13**, as depicted in FIG. *7a*.

Participatory computers with (sub-)allocated (sub)task portions perform required processing per step **5**. The generic processor **24** signifies the performer of step **5**. An initiator **25** may synchronize with other processors **24** if necessary. A computer may be watchful (a possible coordinator **20** job) and sub-allocate after beginning processing, upon realizing sub-allocation as a prudent measure because of some unanticipated constraint, such as, for example, high CPU utilization (processing overhead) or suddenly limited storage. A suspender **26** may suspend processing, saving state as necessary for later resumption.

Depending upon embodiment, processing may occur only under specified conditions, for example, only when a computer is past a threshold state deemed idle. Other conditions, such as available storage **102**, or network **99** connection speed or reliability, may also be pertinent allocation or processing criteria. If processing is conditional, temporary results may be stashed (locally or elsewhere on the network) for later resumption. A processor **24** initiator **25** and suspender **26** may, for example, respectively detect and act upon onset and termination of specified threshold conditions.

Step **6** specifies transferring results. This step may not be necessary, depending upon the task **70**. Likewise, in step **7**, results are optionally collated by one or more participatory computers, with results monitoring as required. Results monitoring and collation may itself become a distributed task. Collators **27** on multiple computers may collaborate to piece together and conclude the task.

With the notable exception of **53'**, FIG. *7a* depicts results returned to the computer which allocated (or sub-allocated) the task (subtask) portion (**50**, **53**, **54**) for collation. But, as shown by example, results may be sent **53'** to the allocating computer **11** instead of or in addition to that computer **10** that (sub-)allocated a (sub)task portion.

FIG. *7c* depicts results being transmitted (likely for collation) to a different computer **15** than the allocating computer **11**. This strategy may make sense, for example, when a series of tasks are allocated in succession: a division of duty between an allocating computer **11** and a results-collating computer **15**. Final results may be sent to the allocating computer **11** or other computers by the collating computer **15** as necessary.

FIG. *7b* depicts a situation where an allocated computer **13** is processing multiple subtask portions allocated by different computers (**12**, **14**). This is doable given identifiable portions as suggested.

Task or subtask portions may be redundantly assigned as a precaution. Redundant (sub)allocation may be sensible given scheduling constraints.

Security may be an issue. Data, results, messages, or other content may be encrypted as required.

## 6

The invention claimed is:

- 1.** A computer-implemented method comprising: a first computer receiving via network communication a plurality of sets of calculated results from a plurality of computers, wherein said plurality of sets are calculated from portions of a single computing task, wherein said first computer receiving a second set of said plurality of sets, said second set comprising results from a second computer calculating a second task portion after said second computer received said second task portion from a third computer, said second task portion being divided from a third task portion, said third task portion comprising after division said second task portion and a fourth task portion, wherein said first computer receiving a fourth set of said plurality of sets, said fourth set comprising results from said third computer calculating a fourth task portion after said third computer receiving said third task portion from a fourth computer; and said first computer collating said plurality of sets into a final result set.
- 2.** The method according to claim **1**, wherein said network comprises a wide-area network.
- 3.** The method according to claim **1**, further comprising: said fourth computer coordinating distribution of a plurality of task portions, including said third task portion to said third computer.
- 4.** The method according to claim **3**, further comprising: said fourth computer communicating a schedule to said third computer related to said third task portion.
- 5.** The method according to claim **3**, further comprising: said fourth computer distributing executable software to said third computer related to said third task portion.
- 6.** The method according to claim **3**, further comprising: said fourth computer dividing said single computing task into a plurality of task portions.
- 7.** The method according to claim **1**, wherein said first computer and said fourth computer comprise the same computer.
- 8.** A computer-implemented method comprising: a fourth computer receiving by inter-computer communication a plurality of result sets, wherein a first result set received by said fourth computer comprises data resultant from a first computer computing a first portion of a task, said first portion received by said first computer from a second computer via inter-computer communication, wherein a second result set received by said fourth computer comprises data resultant from said second computer computing a second portion of said task, wherein said first and second portions received by said second computer from a third computer via inter-computer communication, wherein said second computer allocated said first portion to said first computer based upon a computed determination by said second computer; and said fourth computer collating said plurality of result sets.
- 9.** The method according to claim **8**, further comprising: said third computer conditionally sending said first and second task portions to said second computer.
- 10.** The method according to claim **8**, wherein said first result set comprises data related to processing time in computing said first task portion.

7

11. The method according to claim 8, wherein said computed determination by said second computer comprises a scheduling consideration.

12. The method according to claim 8, wherein said computed determination by said second computer comprises consideration of available computing resources. 5

13. The method according to claim 8, further comprising: said fourth computer receiving data regarding processing duration related to at least one result set.

14. A computer-implemented method comprising: 10 a first computer receiving from a plurality of computers a plurality of results related to a task,

wherein said task comprises a plurality of task portions, wherein at least one said task portion comprises a plurality of subtask portions, 15

wherein a first result received by said first computer is calculated from a first subtask portion by a fourth computer, 20

said first subtask portion received by said fourth computer from a third computer,

said first subtask portion being a divisible portion of a first task portion, and

wherein said third computer received said first task portion from a second computer;

8

said second computer dividing said task into a plurality of task portions, including said first task portion; and wherein said receiving occurs via network communication.

15. The method according to claim 14, further comprising: said second computer conditionally sending said first task portion to said third computer.

16. The method according to claim 14, wherein said first computer and said second computer comprise the same computer.

17. The method according to claim 14, wherein said first result comprises data related to duration of calculation of said first subtask portion.

18. The method according to claim 14, further comprising: said third computer sending said first subtask portion to said fourth computer at least partly based upon a schedule associated with said first task portion.

19. The method according to claim 14, further comprising: said third computer conditionally determining to send said first subtask portion to said fourth computer.

20. The method according to claim 19, wherein said conditional determination based upon data related to said fourth computer.

\* \* \* \* \*