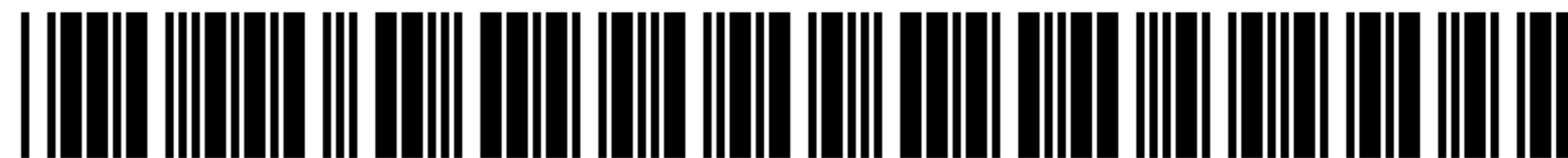


# **Exhibit 5**

## **Part 1 of 2**



US008290538B2

(12) **United States Patent**  
**Callaghan et al.**

(10) **Patent No.:** **US 8,290,538 B2**  
(45) **Date of Patent:** **\*Oct. 16, 2012**

(54) **DATA ENTRY SYSTEMS**

(75) Inventors: **Francis John Callaghan**, St. Helier (GB); **Paul Marshall Doran**, St. Helier (GB); **Gary Douglas Robb**, St. Brelades (GB)

(73) Assignee: **DataQuill Limited**, Tortola (VG)

(\*) Notice: Subject to any disclaimer, the term of this patent is extended or adjusted under 35 U.S.C. 154(b) by 0 days.

This patent is subject to a terminal disclaimer.

(21) Appl. No.: **13/036,987**

(22) Filed: **Feb. 28, 2011**

(65) **Prior Publication Data**

US 2011/0246336 A1 Oct. 6, 2011

**Related U.S. Application Data**

(63) Continuation of application No. 12/348,051, filed on Jan. 2, 2009, now Pat. No. 7,920,898, which is a continuation of application No. 11/515,152, filed on Aug. 31, 2006, now Pat. No. 7,505,785, which is a continuation of application No. 10/869,215, filed on Jun. 15, 2004, now Pat. No. 7,139,591, which is a continuation of application No. 09/548,565, filed on Apr. 13, 2000, now abandoned, which is a continuation of application No. 08/619,682, filed as application No. PCT/GB94/02101 on Sep. 27, 1994, now Pat. No. 6,058,304.

(30) **Foreign Application Priority Data**

Oct. 13, 1993 (GB) ..... 9321133.2

(51) **Int. Cl.**  
**H04B 1/38** (2006.01)

(52) **U.S. Cl.** ..... **455/557; 455/556.1; 455/556.2**

(58) **Field of Classification Search** ..... 455/422.1, 455/412.1, 414.1, 426.1, 426.2, 462, 465, 455/554.1, 554.2, 555; 379/100.02, 100.12, 379/93.12, 93.25; 235/462.46, 472.02, 375, 235/380

See application file for complete search history.

(56) **References Cited**

**U.S. PATENT DOCUMENTS**

3,810,101 A 5/1974 Avery  
(Continued)

**FOREIGN PATENT DOCUMENTS**

DE 2739157 A1 3/1979  
(Continued)

**OTHER PUBLICATIONS**

EO, Inc, Letter to D. Beaufait, California Wireless, Inc., Mar. 22, 1993, "Own Your Own Personal Communicator 440", Bates Stamped pp. HSD0004019-HSD0004020.

(Continued)

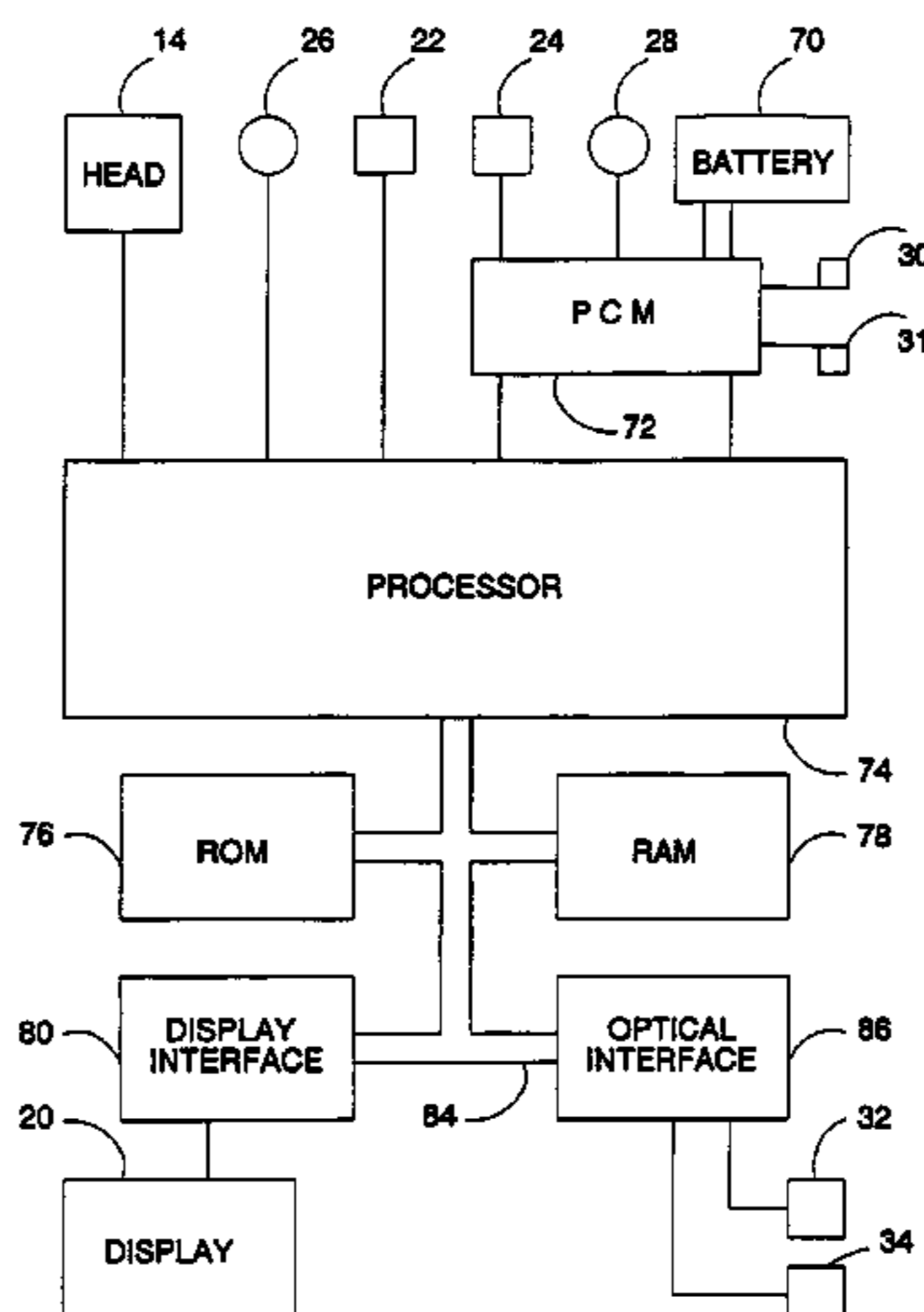
*Primary Examiner* — Jean Gelin

(74) *Attorney, Agent, or Firm* — Mintz Levin Cohn Ferris Glovsky and Popeo, P.C.

(57) **ABSTRACT**

A data entry system includes a hand held data entry unit having a reading sensor for sensing commands and/or data, rewritable storage for storing information relating to selectable items, a controller (a microprocessor or other processing circuitry) and a display screen for displaying a user readable representation of the commands and/or stored information for a selected item, and a telecommunication interface for the telephonic transmission of information relating to a selected item or items from the storage to a remote processing center and for the telephonic information relating to selectable items from the remote processing center to the storage. Preferably a telecommunications interface is provided in the hand held unit for cellular or other wireless telephony systems. The hand held unit can be configured to combine the data entry functions with those of audio telephony.

**23 Claims, 11 Drawing Sheets**



U.S. PATENT DOCUMENTS							
3,906,166	A *	9/1975	Cooper et al. ....	455/437	4,928,300 A	5/1990	Ogawa et al.
3,956,740	A *	5/1976	Jones et al. ....	360/4	4,947,028 A	8/1990	Gorog
4,004,133	A *	1/1977	Hannan et al. ....	235/441	4,961,043 A	10/1990	Koenck
4,016,542	A	4/1977	Azure		4,966,821 A	10/1990	Bishop et al.
4,071,697	A *	1/1978	Bushnell et al. ....	379/67.1	4,969,830 A	11/1990	Daly et al.
4,153,937	A *	5/1979	Poland .....	708/130	4,972,457 A	11/1990	O'Sullivan
4,241,409	A	12/1980	Nolf		4,974,170 A	11/1990	Bouve et al.
4,251,798	A	2/1981	Swartz et al.		4,983,318 A	1/1991	Matsumoto et al.
RE30,671	E	7/1981	Poland		4,991,197 A	2/1991	Morris
4,279,021	A	7/1981	See et al.		4,991,199 A	2/1991	Parekh et al.
4,295,181	A	10/1981	Change et al.		4,995,402 A	2/1991	Smith
4,399,331	A	8/1983	Brown et al.		5,003,164 A	3/1991	Barkan
4,415,065	A	11/1983	Sandstedt		5,003,472 A	3/1991	Perrill
4,482,802	A	11/1984	Aizawa et al.		5,008,927 A	4/1991	Weiss et al.
4,490,853	A	12/1984	Nally et al.		5,008,952 A	4/1991	Davis et al.
4,503,288	A	3/1985	Kessler		5,019,764 A	5/1991	Chang
4,545,023	A	10/1985	Mizzi et al.		5,019,974 A	5/1991	Beckers
4,569,421	A	2/1986	Sandstedt		5,020,090 A	5/1991	Morris
4,575,621	A	3/1986	Dreifus et al.		5,020,135 A	5/1991	Kasparian et al.
4,587,630	A	5/1986	Straton et al.		5,021,640 A	6/1991	Muroi
4,591,974	A	5/1986	Dornbush et al.		5,021,642 A	6/1991	Chadima, Jr. et al.
4,607,156	A	8/1986	Koppenaar et al.		5,023,438 A	6/1991	Wakatsuki et al.
4,621,189	A	11/1986	Kumar et al.		D317,910 S	7/1991	Hawkins et al.
4,622,437	A	11/1986	Bloom et al.		5,029,183 A	7/1991	Tymes
4,653,086	A	3/1987	Keltern et al.		5,031,098 A	7/1991	Miller et al.
4,654,482	A	3/1987	DeAngelis		5,031,119 A	7/1991	Dulaney et al.
4,654,514	A	3/1987	Watson et al.		5,046,082 A	9/1991	Zicker et al.
4,654,867	A	3/1987	Labedz et al.		5,046,084 A	9/1991	Barrett et al.
4,688,026	A	8/1987	Scribner et al.		5,047,614 A	9/1991	Bianco
4,697,281	A	9/1987	O'Sullivan		5,047,617 A	9/1991	Shepard et al.
4,706,090	A	11/1987	Hasiguchi et al.		5,055,660 A	10/1991	Bertagna et al.
4,712,242	A	12/1987	Rajasekaran et al.		5,059,778 A	10/1991	Zouzoulas et al.
4,724,521	A	2/1988	Carron et al.		5,065,003 A	11/1991	Wakatsuki et al.
4,725,694	A	2/1988	Auer et al.		5,067,164 A	11/1991	Denker et al.
4,725,977	A	2/1988	Izumi et al.		5,068,838 A	11/1991	Klausner et al.
4,731,726	A	3/1988	Allen, III		5,070,536 A	12/1991	Mahany et al.
4,734,858	A	3/1988	Schlaflly		5,075,538 A	12/1991	Swartz et al.
4,757,022	A	7/1988	Shults		5,077,784 A	12/1991	Fujita et al.
4,760,387	A	7/1988	Ishii		5,080,456 A	1/1992	Katz et al.
4,775,928	A	10/1988	Kendall et al.		5,081,343 A	1/1992	Chadima, Jr. et al.
4,776,003	A	10/1988	Harris		5,095,197 A	3/1992	Chadima, Jr. et al.
4,777,646	A	10/1988	Harris		5,095,503 A	3/1992	Kowalski
4,785,420	A	11/1988	Little		5,095,538 A	3/1992	Durboraw
4,800,255	A	1/1989	Imran		5,100,098 A	3/1992	Hawkins
4,800,505	A	1/1989	Axelrod et al.		5,101,439 A	3/1992	Kiang
4,803,652	A	2/1989	Maeser et al.		5,103,080 A	4/1992	Barkan
4,805,134	A	2/1989	Calo et al.		5,107,100 A	4/1992	Shepard et al.
4,806,742	A	2/1989	Swartz et al.		5,110,226 A	4/1992	Shepard et al.
4,812,843	A	3/1989	Champion et al.		5,110,226 A	5/1992	Sherman et al.
4,816,660	A	3/1989	Swartz et al.		5,111,498 A	5/1992	Guichard et al.
4,816,904	A	3/1989	McKenna et al.		5,117,098 A	5/1992	Swartz
4,823,311	A	4/1989	Hunter et al.		5,121,115 A	6/1992	Andros et al.
4,825,057	A	4/1989	Swartz et al.		5,122,914 A	6/1992	Hanson
4,831,647	A	5/1989	D'Avello et al.		5,123,064 A	6/1992	Hacker et al.
4,835,372	A	5/1989	Gombrich et al.		5,125,039 A	6/1992	Hawkins
4,835,374	A	5/1989	Swartz et al.		5,126,545 A	6/1992	Barkan
4,837,800	A	6/1989	Freeburg et al.		5,127,041 A	6/1992	O'Sullivan
4,845,350	A	7/1989	Shepard et al.		5,128,776 A	7/1992	Scorse et al.
4,845,658	A	7/1989	Gifford		5,130,520 A	7/1992	Shepard et al.
4,845,740	A	7/1989	Tokuyama et al.		5,133,076 A	7/1992	Hawkins et al.
4,850,003	A	7/1989	Huebeck et al.		5,133,081 A	7/1992	Mayo
4,850,009	A	7/1989	Zook et al.		RE34,034 E	8/1992	O'Sullivan
4,857,713	A	8/1989	Brown		5,136,147 A	8/1992	Metlitsky et al.
4,857,716	A	8/1989	Gombrich et al.		5,138,140 A	8/1992	Siemiatkowski et al.
4,870,402	A	9/1989	DeLuca et al.		5,142,550 A	8/1992	Tymes
4,882,757	A	11/1989	Fisher et al.		5,144,119 A	9/1992	Chadima, Jr. et al.
4,885,574	A	12/1989	Negishi et al.		5,144,121 A	9/1992	Chadima, Jr. et al.
4,885,580	A	12/1989	Noto et al.		5,157,687 A	10/1992	Tymes
4,887,265	A	12/1989	Felix		5,161,248 A	11/1992	Bertiger et al.
4,894,523	A	1/1990	Chadima, Jr. et al.		5,168,148 A	12/1992	Giebel
4,896,026	A	1/1990	Krichever et al.		5,171,977 A	12/1992	Morrison
4,897,532	A	1/1990	Swartz et al.		5,173,691 A	12/1992	Sumner
4,907,264	A	3/1990	Seiler et al.		5,182,441 A	1/1993	Chadima, Jr. et al.
4,914,732	A	4/1990	Henderson et al.		5,184,314 A	2/1993	Kelly et al.
4,916,411	A	4/1990	Lymer		5,187,353 A	2/1993	Metlitsky et al.
4,916,441	A	4/1990	Gombrich		5,187,355 A	2/1993	Chadima, Jr. et al.
4,924,462	A	5/1990	Sojka		5,187,356 A	2/1993	Chadima, Jr. et al.
4,927,986	A	5/1990	Daly		5,187,805 A	2/1993	Bertiger et al.
					5,189,287 A	2/1993	Parianti
					5,189,291 A	2/1993	Siemiatkowski

US 8,290,538 B2

5,189,356 A	2/1993	Rovner	5,347,115 A	9/1994	Sherman et al.
5,189,632 A	2/1993	Paajanen et al.	5,347,632 A	9/1994	Filepp et al.
5,195,130 A	3/1993	Weiss et al.	5,349,678 A	9/1994	Morris et al.
5,195,183 A	3/1993	Miller et al.	5,353,331 A	10/1994	Emery et al.
5,196,683 A	3/1993	Marom et al.	5,353,334 A	10/1994	O'Sullivan
5,198,651 A	3/1993	Barkan et al.	5,359,182 A	10/1994	Schilling
5,200,913 A	4/1993	Hawkins et al.	5,363,031 A	11/1994	Miller et al.
5,201,067 A	4/1993	Grube et al.	5,367,563 A	11/1994	Sainton
5,202,825 A	4/1993	Miller et al.	5,368,562 A	11/1994	Blomquist et al.
5,208,446 A	5/1993	Martinez	5,369,260 A	11/1994	Schuessler
5,212,628 A	5/1993	Bradbury	5,371,348 A	12/1994	Kumar et al.
5,216,233 A	6/1993	Main et al.	5,371,858 A	12/1994	Miller et al.
5,218,187 A	6/1993	Koenck et al.	5,379,057 A	1/1995	Clough et al.
5,218,188 A	6/1993	Harrison	5,386,455 A	1/1995	Cooper
5,218,191 A	6/1993	Chadima, Jr. et al.	5,392,447 A	2/1995	Schlack et al.
5,221,838 A	6/1993	Gutman et al.	5,393,965 A	2/1995	Bravman et al.
5,222,138 A	6/1993	Balabon et al.	5,400,068 A	3/1995	Ishida et al.
5,225,822 A	7/1993	Shiraishi	5,401,944 A	3/1995	Bravman et al.
5,227,614 A	7/1993	Danielson et al.	5,402,117 A	3/1995	Zijderhand
5,227,802 A	7/1993	Pullman et al.	5,406,491 A	4/1995	Lima
5,227,863 A	7/1993	Bilbrey	5,408,250 A	4/1995	Bier
5,233,172 A	8/1993	Chadima, Jr. et al.	5,410,141 A *	4/1995	Koenck et al. .... 235/472.02
5,233,502 A	8/1993	Beatty et al.	5,412,417 A	5/1995	Tozuka
5,241,488 A	8/1993	Chadima, Jr. et al.	5,412,660 A	5/1995	Chen
5,243,452 A	9/1993	Baur	5,418,560 A	5/1995	Yasuda
5,247,162 A	9/1993	Swartz et al.	5,418,812 A	5/1995	Reyes et al.
5,248,929 A	9/1993	Burke	5,424,524 A	6/1995	Ruppert et al.
5,249,218 A	9/1993	Sainton	5,425,077 A	6/1995	Tsoi
5,250,789 A	10/1993	Johnsen	5,426,594 A	6/1995	Wright et al.
5,250,792 A	10/1993	Swartz et al.	5,428,617 A	6/1995	Urushima
5,258,606 A	11/1993	Chadima, Jr. et al.	5,434,994 A	7/1995	Shaheen et al.
5,260,697 A	11/1993	Barrett et al.	5,436,654 A	7/1995	Boyd
5,266,787 A	11/1993	Mazz et al.	5,436,954 A	7/1995	Nishiyama et al.
5,272,323 A	12/1993	Martino	5,442,541 A	8/1995	Hube et al.
5,272,353 A	12/1993	Barkan et al.	5,442,783 A	8/1995	Oswald et al.
5,278,487 A	1/1994	Koenck	5,444,763 A	8/1995	Lazaridis et al.
5,280,498 A	1/1994	Tymes et al.	D363,281 S	10/1995	Buhrmann
5,285,426 A	2/1994	Teodoridis	5,457,629 A	10/1995	Miller et al.
5,288,976 A	2/1994	Citron et al.	5,463,305 A	10/1995	Koenck
5,288,985 A	2/1994	Chadima, Jr. et al.	5,463,547 A	10/1995	Markowitz et al.
5,289,378 A	2/1994	Miller et al.	5,465,207 A	11/1995	Boatwright et al.
5,294,782 A	3/1994	Kumar	5,465,401 A	11/1995	Thompson
5,294,784 A	3/1994	Tooley et al.	5,467,403 A	11/1995	Fishbine
5,295,014 A	3/1994	Toda	5,468,947 A	11/1995	Danielson et al.
5,297,216 A	3/1994	Sklarew	5,468,948 A	11/1995	Koenck et al.
5,297,247 A	3/1994	Kan	5,468,949 A	11/1995	Swartz et al.
5,301,222 A	4/1994	Fujiwara	5,471,042 A	11/1995	Kirkeby et al.
5,302,813 A	4/1994	Goren	5,475,375 A	12/1995	Barrett et al.
5,303,288 A	4/1994	Duffy et al.	5,477,042 A	12/1995	Wang
5,306,899 A	4/1994	Marom et al.	5,478,998 A	12/1995	Charych et al.
5,306,900 A	4/1994	Metlitsky et al.	5,479,441 A	12/1995	Tymes
5,307,263 A	4/1994	Brown	5,485,370 A	1/1996	Moss et al.
5,307,497 A	4/1994	Feigenbaum et al.	5,485,504 A	1/1996	Ohnsorge
5,308,966 A	5/1994	Danielson et al.	5,485,505 A	1/1996	Norman
5,309,351 A	5/1994	McCain et al.	5,490,283 A	2/1996	Chin
5,309,500 A	5/1994	Koma et al.	5,491,507 A	2/1996	Umezawa et al.
5,313,051 A	5/1994	Brigida et al.	5,493,199 A	2/1996	Koenck et al.
5,313,053 A	5/1994	Koenck et al.	5,497,339 A	3/1996	Bernard
5,317,691 A	5/1994	Traeger	5,504,595 A	4/1996	Marom et al.
5,319,363 A	6/1994	Welch et al.	5,508,599 A	4/1996	Koenck
5,319,548 A	6/1994	Germain	5,517,434 A	5/1996	Hanson et al.
5,322,991 A	6/1994	Hanson	5,519,205 A	5/1996	Rostoker et al.
5,324,922 A	6/1994	Roberts	5,519,577 A	5/1996	Dudas et al.
5,324,925 A	6/1994	Koenck et al.	5,522,089 A	5/1996	Kikinis et al.
5,327,308 A	7/1994	Hanson	5,526,481 A	6/1996	Parks et al.
5,331,136 A	7/1994	Koenck et al.	5,528,266 A	6/1996	Arbeitman et al.
5,331,137 A	7/1994	Swartz	5,528,285 A	6/1996	Morikawa et al.
5,331,580 A	7/1994	Miller et al.	5,528,490 A	6/1996	Hill
5,333,116 A	7/1994	Hawkins et al.	5,528,621 A	6/1996	Heiman et al.
5,333,176 A	7/1994	Burke et al.	5,530,754 A	6/1996	Garfinkle
5,334,824 A	8/1994	Martinez	5,537,608 A	7/1996	Beatty et al.
5,335,170 A	8/1994	Petteruti et al.	5,541,398 A	7/1996	Hanson
5,335,276 A	8/1994	Thompson et al.	5,542,115 A	7/1996	Wong et al.
5,337,346 A	8/1994	Uchikura	5,543,588 A	8/1996	Bisset et al.
5,337,358 A	8/1994	Axelrod et al.	5,546,538 A	8/1996	Cobbley et al.
5,339,239 A	8/1994	Manabe et al.	5,550,646 A	8/1996	Hassan et al.
5,340,978 A	8/1994	Rostoker et al.	5,550,715 A	8/1996	Hawkins
5,343,239 A	8/1994	Lappington et al.	5,550,754 A	8/1996	McNelley et al.
5,345,071 A	9/1994	Dumont	5,553,312 A	9/1996	Gatley et al.

5,555,443	A	9/1996	Ikehama	6,295,372	B1	9/2001	Hawkins et al.
5,555,459	A	9/1996	Kraus et al.	D449,283	S	10/2001	Sipher et al.
5,565,671	A	10/1996	Kirkeby et al.	6,300,946	B1	10/2001	Lincke et al.
5,568,536	A	10/1996	Tiller et al.	6,317,797	B2	11/2001	Clark et al.
5,579,489	A	11/1996	Dornier et al.	6,330,618	B1	12/2001	Hawkins et al.
5,579,535	A	11/1996	Orlen et al.	6,343,318	B1	1/2002	Hawkins et al.
5,584,054	A	12/1996	Tyneski et al.	6,366,935	B2	4/2002	Hawkins et al.
5,585,789	A	12/1996	Haneda	6,371,081	B1	4/2002	Hawkins et al.
5,590,373	A	12/1996	Whitley et al.	D457,162	S	5/2002	Hawkins et al.
5,594,470	A	1/1997	Meyerson et al.	D457,526	S	5/2002	Hawkins et al.
5,595,264	A	1/1997	Trotta, Jr.	6,388,870	B1	5/2002	Canova, Jr. et al.
5,600,800	A	2/1997	Kikinis et al.	6,388,877	B1	5/2002	Canova, Jr. et al.
5,602,854	A	2/1997	Luse et al.	6,397,259	B1	5/2002	Lincke et al.
5,602,963	A	2/1997	Bissonnette et al.	6,442,637	B1	8/2002	Hawkins et al.
5,606,594	A	2/1997	Register et al.	6,448,988	B1	9/2002	Haitani et al.
5,612,732	A	3/1997	Yuyama et al.	D466,115	S	11/2002	Hawkins et al.
5,617,236	A	4/1997	Wang et al.	D466,502	S	12/2002	Hawkins et al.
5,619,684	A	4/1997	Goodwin et al.	D466,877	S	12/2002	Hawkins et al.
5,625,673	A	4/1997	Grewe	D467,235	S	12/2002	Hawkins et al.
5,634,080	A	5/1997	Kikinis	6,493,464	B1	12/2002	Hawkins et al.
5,638,113	A	6/1997	Lappington et al.	6,516,202	B1	2/2003	Hawkins et al.
5,640,196	A	6/1997	Wellner	6,539,476	B1	3/2003	Marianetti et al.
5,640,444	A	6/1997	O'Sullivan	6,587,700	B1	7/2003	Meins et al.
5,646,389	A	7/1997	Bravman et al.	6,601,111	B1	7/2003	Peacock et al.
5,664,231	A	9/1997	Postman et al.	6,671,389	B1	12/2003	Marzke et al.
5,665,956	A	9/1997	La et al.	6,687,345	B1	2/2004	Swartz et al.
5,666,530	A	9/1997	Clark et al.	6,728,786	B2	4/2004	Hawkins et al.
5,668,876	A	9/1997	Falk et al.	6,755,946	B1	6/2004	Patton et al.
5,671,374	A	9/1997	Postman et al.	6,816,480	B1	11/2004	Monroe et al.
5,675,524	A	10/1997	Bernard	6,820,049	B1	11/2004	Monroe et al.
5,680,633	A	10/1997	Koenck et al.	7,505,785	B2	3/2009	Callaghan
5,689,648	A	11/1997	Diaz et al.	7,139,591	C1	10/2009	Callaghan
5,694,546	A	12/1997	Reisman	6,058,304	C1	4/2010	Callaghan
5,706,290	A	1/1998	Shaw	2001/0007334	A1	7/2001	Wilz, Sr. et al.
5,729,591	A	3/1998	Bailey	2005/0259797	A1	11/2005	Swartz et al.
5,745,559	A	4/1998	Weir				
5,754,645	A	5/1998	Metroka et al.				
5,754,655	A	5/1998	Hughes et al.				
5,760,834	A	6/1998	Rostoker				
5,761,621	A	6/1998	Sainton et al.				
5,771,354	A	6/1998	Crawford				
5,793,957	A	8/1998	Kikinis et al.				
D397,679	S	9/1998	Hawkins et al.				
5,812,953	A	9/1998	Griffith et al.				
5,815,142	A	9/1998	Allard et al.				
5,821,523	A	10/1998	Bunte et al.				
5,822,230	A	10/1998	Kikinis et al.				
5,825,732	A	10/1998	Arataki				
5,835,732	A	11/1998	Kikinis et al.				
5,845,073	A	12/1998	Carlin et al.				
5,850,358	A	12/1998	Danielson et al.				
5,854,985	A	12/1998	Sainton et al.				
5,866,888	A	2/1999	Bravman et al.				
5,870,561	A	2/1999	Jarvis et al.				
5,873,039	A	2/1999	Najafi				
5,884,323	A	3/1999	Hawkins et al.				
5,894,594	A	4/1999	Foladare				
5,899,855	A	5/1999	Brown				
5,900,875	A	5/1999	Haitani et al.				
5,902,988	A	5/1999	Durbin				
5,923,735	A	7/1999	Swartz et al.				
5,932,863	A	8/1999	Rathus et al.				
5,952,998	A	9/1999	Clancy et al.				
5,969,698	A	10/1999	Richard et al.				
6,000,000	A	12/1999	Hawkins et al.				
6,006,100	A	12/1999	Koenck et al.				
6,006,274	A	12/1999	Hawkins et al.				
6,009,399	A	12/1999	Spille				
6,016,135	A	1/2000	Biss et al.				
6,058,304	A	5/2000	Callaghan et al.				
6,081,534	A	6/2000	Sipila				
6,118,939	A	9/2000	Nack et al.				
6,134,453	A	10/2000	Sainton et al.				
6,177,950	B1	1/2001	Robb				
6,192,255	B1	2/2001	Lewis et al.				
RE37,141	E	4/2001	O'Sullivan				
D440,542	S	4/2001	Hawkins et al.				
6,219,681	B1	4/2001	Hawkins et al.				
6,281,883	B1	8/2001	Barker				

## FOREIGN PATENT DOCUMENTS

DE	A-3814728	A1	11/1989
DE	A-4109482	A1	9/1992
EP	0094571	A3	11/1983
EP	0 149 762	A1	7/1985
EP	0149762	A2	7/1986
EP	0 317 496	B1	6/1989
EP	0 338 075	A1	10/1989
EP	0 349 430	A2	1/1990
EP	0 486 973	A2	5/1992
EP	0519838	A1	12/1992
EP	0 530 416	A1	3/1993
EP	0529721	A2	3/1993
EP	0536481	A2	4/1993
EP	0 378 775		4/1995
EP	0 651 543	A2	5/1995
EP	97900179.9		1/1996
EP	0 531 645		3/1997
EP	0519838	B1	4/1998
GB	2183071	A	5/1987
GB	2202664	A	9/1988
GB	2 216 319	A	10/1989
GB	2229562	A	9/1990
GB	2 246 491	A	9/1994
GB	2 289 555	A	11/1995
JP	59 198034		11/1984
JP	63-172558		7/1988
JP	63 311563		12/1988
JP	63311563		12/1988
JP	1173262		7/1989
JP	01173262	A	7/1989
JP	1-233582		9/1989
JP	01-276862		11/1989
JP	01-311364		12/1989
JP	1 314462		12/1989
JP	1-319882		12/1989
JP	2-19983		1/1990
JP	02 144681		6/1990
JP	02144681		6/1990
JP	03-074958		3/1991
JP	3-109891		5/1991
JP	3-141481		6/1991
JP	A-4-17494		1/1992

JP	4-24149	2/1992
JP	04024149	2/1992
JP	4-174085	6/1992
JP	04 348463	12/1992
JP	04348463	12/1992
JP	05 241994	9/1993
JP	05241994	9/1993
JP	06 090309	3/1994
JP	3-1098891	6/2008
WO	WO 8707106 A1	11/1987
WO	WO 89/04016 A1	5/1989
WO	WO 91/00574 A1	1/1991
WO	WO 92/14329 A1	8/1992
WO	93/15466	8/1993
WO	WO 93/16550 A1	8/1993
WO	WO 93/16550	9/1993
WO	WO 94/11967 A1	5/1994
WO	WO 94/12938	6/1994

## OTHER PUBLICATIONS

GO Corporation, "Penpoint Communications Technology Benefits Study", Draft Discussion Outline, Nov. 12, 1992, Bates Stamped pp. HSD0004021-HSD0004066.

EO, Inc., "Industry Briefing EO, AT&T, Matsushita and Marubeni" Oct. 1, 1992, Bates Stamped pp. HSD004067-HSD004116.

EO, Inc., "Software Vendors Rally Around EO Personal Communicators", Nov. 4, 1992, Bates Stamped pp. HSD0004120-HSD0004122.

GO Corporation, "GO Corp. Announces PenPoint for Hobbit, GO Message Center, and GO Faz on will be available on EO Personal Communicator", Nov. 4, 1992, Bates Stamped pp. HSD0004125-HSD0004126.

Pensoft Corporation, "Pensoft Corporation Announces Personal Perspective built into every EO Personal Communicator", Nov. 4, 1992, Bates Stamped pp. HSD004127-HSD004128.

Notable Technologies, Inc., "Notable Technologies Announces Support for EO: will Produce Applications for Personal Communicators", Nov. 4, 1992, Bates Stamped pp. HSD0004129-HSD0004130.

Sitka Corporation, "EO Selects Sitka's Mobile Networking Solutions for New Line of Personal Communicators", Nov. 4, 1992, Bates Stamped pp. HSD0004131-HSD0004133.

Penmagic Software, Inc., "PenMagic Announces Support for EO Personal Communicators and Hobbit Platform", Nov. 4, 1992, Bates Stamped pages HSD0004134-4135.

Ink Development Corporation, "Ink Development Announces InkWare™ NoteTaker for EO Personal Communicators", Marked "For Release Nov. 4, 1992", Bates Stamped pp. HSD0004136-HSD0004137.

Slate Corporation, Slate Announces Port of PenApps™, Nov. 4, 1992, Bates Stamped pp. HSD0004138-HSD0004139.

EO, "Market Convergence", undated, Bates Stamped p. HSD0004140.

EO, "Market Evolution for Personal Communicators", undated, Bates Stamped p. HSD0004141.

EO, Inc., "EO Unveils World's First Personal Communicator's", Nov. 4, 1992, Bates Stamped pp. HSD0004142-HSD0004145.

American Programmer, Inc., "American Programmer", Dec. 1991, Bates Stamped pp. HSD0004147-HSD0004178.

EO Inc., "AT&T EO Personal Communicator", "Third Party Product and Services Catalog", Fall 1993, Bates Stamped pp. HSD0004179-HSD0004204.

EO, Inc., "Lookup Guide to the EO Personal Communicator", Copyright 1992, 1993, Bates Stamped pp. HSD0004208-HSD0004532.

EO, Inc., "Connecting With Your EO Cellular Module", Copyright 1992, 1993, Bates Stamped pp. HSD0004533-HSD0004574.

EO, Inc., "Getting Started With Your EO Personal Communicator", Copyright 1992, 1993, Bates Stamped pp. HSD0004575-HSD0004657.

EO, Inc., "The World of Messaging An Introduction to Personal Communicators", Copyright 1992, 1993, Bates Stamped pp. HSD0004658-HSD0004731.

EO, Inc., The AT&T EO Travel Guide, Ken Maki, Copyright 1993, Bates Stamped pp. HSD0004732-HSD0005290.

AT&T, "High-speed cellular modem for laptops from Paradyne and Nokia", "For Release" Feb. 23, 1993, Bates Stamped pp. HSD0009580-HSD0009581.

AT&T, "AT&T, Go, PenStuff, Trimble make 'personal navigators'", "For Release" Jun. 29, 1993, Bates Stamped pp. HSD0009582-HSD0009584.

AT&T, "AT&T and EO lower prices for personal communicators", "For Release" Sep. 16, 1993, Bates Stamped pp. HSD0009585-HSD0009586.

AT&T, "EO, Inc., will become AT&T's personal communicator company", "For Release" Jun. 1, 1993, Bates Stamped pp. HSD0009587-HSD0009589.

Internet: "Chronology of Handheld Computers", 1993-1996, Ken Polson, Copyright 2001-2002, Bates Stamped pp. HSD0012760-HSD0012762.

Internet: "Chronology of Handheld Computers", 1972-1992, Ken Polson, Copyright 2001-2002, Bates Stamped pp. HSD0012765-HSD0012768.

Internet: From On the Go Magazine, Sep. 8, 1993: "Wireless Newton Technology Goes to Work", Copyright 1993, David McNeill, Bates Stamped pp. HSD0012770-HSD0012771.

Internet: From On the Go Magazine, Oct. 13, 1993: "Newton Notes Messaging Card and NewtonMail: We Pick up and deliver", Copyright 1993, David McNeill, Bates Stamped pp. HSD0012772-HSD0012773.

Internet: "Concept development for LCD-Applied Products", notation "(Received Oct. 7, 1997)" p. 7, Hideki Atarashi and Toshifumi Mizobata, Bates Stamped pp. HSD0012774-HSD0012780.

Internet: "NCR cuts price of 3170 notebook computer 11 to 19 percent", AT&T News Release, "for release Monday Mar. 8, 1993", Bates Stamped pp. HSD0012781-HSD0012782.

EO Incorporated, "EO Cellular Module Programming Instructions for Cellular Service Providers and Resellers", May 13, 1993, Bates Stamped pp. HSD0013223-HSD0013233.

EO, Inc., "EO Personal Communicator 440/880 *Technical Note* No. 3011, Installing the EO Update 2B on your EO", "TN Date: Dec. 2, 1993", Bates Stamped pp. HSD0013247-HSD0013254.

EO Customer Services, "Tips from our Users", Jun. 9, 1993, Bates Stamped p. HSD0013256.

Symbol Technologies Incorporated, Operator's Guide LRT 3270, Apr. 1992, Bates Stamped SYM00001-SYM00002.

Symbol Technologies Incorporated, "Operator's Guide LRT 46-key 3270 Emulation", Sep. 1992, Bates Stamped pp. SYM00003-SYM00004.

Symbol Technologies Incorporated, "Operator's Guide LRT 46-key 5250 Emulation", Copyright 1992, Bates Stamped pp. SYM00005-SYM00006.

Symbol Technologies Incorporated, "Series 3800 Portable Terminal User's Guide", Oct. 1992, Bates Stamped pp. SYM00007-SYM00008.

Internet: Symbol Technologies Incorporated, "PPT 4100 Series Portable Pen Terminals With Integrated Scanner", Copyright 1994, Bates Stamped pp. SYM00009-SYM00012.

Symbol Technologies Incorporated, Series 3800 Portable Terminal User's Guide, Copyright 1992, Bates Stamped pp. SYM00015-SYM00016.

Symbol Technologies Incorporated, "User's Guide Cradle Base Unit 3865", Copyright 1991, Bates Stamped pp. SYM00047-SYM00052.

Symbol Technologies Incorporated, "Spread Spectrum Technology, Monograph 7", Fred P. Heiman, Jun. 1991, Bates Stamped pp. SYM00235-SYM00254.

Symbol Technologies Incorporated, "Plain Talk About Spectrum One™", Copyright 1991, Bates Stamped pp. SYM00255-SYM00298.

"Lotus Sees Software Integration Rise Systems & Network Integration," Excerpt from News Brief (unknown source), Mar. 16, 1992, p6. "IBM's TouchMobile Helps Field Workers Collect Data at the Touch of a Finger", Pr newswire Jan. 26, 1993, Apr. 20, 2000, on the Web at www.datastarweb.com, 3 pgs.

Lotus Notes User's Guide, (1989), cover pg., copyright pg. pp. iii-ix, pp. 1-1 to 1-4, pp. 9-1 to 9-17.

"TouchMobile Solution for Data Capture and Communication", IBM, 1-93, 13 pgs.

- IBM TouchMobile Information and Planning Guide, IBM, Mar. 1993, cover pg., copyright pg., pp. iii-vii, pp. 1 to 11, 2 comment pgs., 2 ending pgs.
- "*Mobile Communications*", Informa Publishing Group, Plc., Jul. 29, 1993, 3 pgs. (unnumbered).
- "*Apple Reports Strong Early Newton Sales*", United Press International, Sep. 2, 1993, 2 pgs. (unnumbered).
- "*The EO 440 and EO 880, Paradigms for Personal Communications*", Smart Computing-editorial, vol. 4 issue 9, Sep. 1993, Internet article, copyright 2001, pp. 1-4.
- Defendant Handspring, Inc.'s Answer and Counterclaims, Aug. 1, 2001.
- Defendant and Counterclaimant Kyocera Wireless Corp.'s Answer to Complaint and Counterclaim, Aug. 7, 2001.
- Notice of Motion and DataQuill's Motion to Strike Handspring's Counterclaim and Affirmative Defense Pertaining to Inequitable Conduct, Aug. 24, 2001.
- DataQuill's Reply to Handspring Counterclaims, Aug. 24, 2001.
- Notice of Motion and DataQuill's Reply to Kyocera Pertaining to Inequitable Conduct, Aug. 24, 2001.
- DataQuill's Motion to Strike Kyocera's Counterclaims and Affirmative Defenses Pertaining to Inequitable Conduct, Aug. 24, 2001.
- Handspring's Opposition to DataQuill's Motion to Strike Handspring's Counterclaim and Affirmative Defense Pertaining to Inequitable Conduct, Sep. 14, 2001.
- DataQuill's Reply in Support of Its Motion to Strike Handspring's Counterclaim and Affirmative Defense Pertaining to Inequitable Conduct (includes Exs. A-D), Sep. 21, 2001.
- Minute Order: Enter Memorandum Opinion: DataQuill's Motion to Strike denied. Ruling set for Oct. 18, 2001 is stricken. Status hearing set for Oct. 18, 2001 at 9:30 a.m. to stand, Oct. 3, 2001.
- Minute Order: DataQuill's motion to strike Handspring's counterclaim and affirmative defense pertaining to inequitable conduct is denied. Ruling set for Oct. 18, 2001 is stricken. Entered Memorandum Opinion and Order.
- Handspring's Responses to DataQuill's First Set of Interrogatories (Nos. 1-11), Nov. 21, 2001.
- Handspring's Responses to DataQuill's First Set of Document Requests (Nos. 1-45), Nov. 21, 2001.
- Handspring's Responses to DataQuill's Second Set of Interrogatories (Nos. 12-14), Jan. 18, 2002.
- DataQuill's Supplemental Responses to Handspring's First Set of Interrogatories to DataQuill (Nos. 1-7), Feb. 8, 2002.
- DataQuill's Responses to Handspring's First Set of Interrogatories to DataQuill (Nos. 1-7), Nov. 29, 2001.
- Handspring's First Set of Supplemental Responses to DataQuill's Interrogatories (Nos. 1 & 3-6), Feb. 8, 2002.
- Handspring's Second Set of Supplemental Responses to DataQuill's Interrogatories (Nos. 4 & 6-8), Feb. 14, 2002.
- DataQuill's Second Supplemental Responses to Handspring's First Set of Interrogatories to DataQuill (Nos. 2 and 4), Feb. 20, 2002.
- DataQuill's Response and Objections to Handspring's Rule 30(b)(6) Deposition Topics, Mar. 18, 2002.
- DataQuill's Response to Handspring's First Set of Requests for Admissions to DataQuill (Nos. 1-184), Mar. 21, 2002.
- DataQuill's Responses to Handspring's Third Set of Interrogatories to DataQuill (Nos. 12-22), Mar. 21, 2001.
- DataQuill's Supplemental Responses to Handspring Interrogatory Nos. 6, 8, and 9, Mar. 22, 2002.
- DataQuill's Amended Responses to Handspring's First Set of Requests for Admissions to DataQuill (Nos. 1, 9-11, 14-18, 20-25, 34, 36-42, 47-50 and 67-69), Apr. 17, 2002.
- Handspring's Third Set of Supplemental Responses to DataQuill's Interrogatories (Nos. 4 & 5) Apr. 22, 2002.
- Transcript of videotaped deposition of Francis John Callaghan, Mar. 4, 2002, pp. 1-71 (includes reduced format pages of deposition numbered 1-283) and word index pp. 1-23.
- Transcript of videotaped deposition of Francis John Callaghan, Mar. 5, 2002, pp. 1-34 (includes reduced format pages of deposition numbered 284-419) and word index pp. 1-14.
- Transcript of videotaped deposition of Paul Doran, Mar. 4, 2002, pp. 1-12 (includes reduced format pages of deposition numbered 1-48) and word index pp. 1-5.
- Transcript of videotaped deposition of Paul Doran, Mar. 5, 2002, pp. 1-61 (includes reduced format pages of deposition numbered 49-291) and word index pp. 1-22.
- Transcript of "Videotaped Oral Deposition of N. Rhys Merrett", Apr. 16, 2002, pp. 1-154 and Addendum, pp. 1-2, and Exhibits (See A4, A15-16, A19, A29, A34, A36-37, A45, A47, A207-08).
- Transcript of Videotaped Comdex, Fall 2001, Handspring Keynote, pp. 1-69 and word index pp. 1-9.
- Texlon Corporation, "Portable Data Collection and Entry Systems", McGraw-Hill Incorporated, Mar. 1989, (5 pages).
- Patent License Agreement and Related Settlement Documents between DataQuill and Novatel Wireless regarding U.S. Patent No. 6,058,304, May 25, 2004 (10 pages).
- Memorandum Opinion in the DataQuill v. Handspring Litigation, May 7, 2004 (16 pages).
- English Translation of Official Action directed against Japanese patent application No. 511431/95, Apr. 8, 2003 (5 pages).
- DataQuill Limited v. Handspring, Inc.*, United States District Court Northern District of Illinois Eastern Division, Handspring's Disclosure Pursuant to 35 U.S.C. § 282, Mar. 19, 2004 (10 pages).
- DataQuill Limited v. Handspring, Inc.*, United States District Court for the Northern District of Illinois, "Speakerphone Deposition of David C. Allais, Ph.D., Mountain View, California", Feb. 5, 2004 (manuscript pp. 1-176 and index) (35 pages).
- DataQuill Limited v. Handspring, Inc.*, United States District Court Northern District of Illinois Eastern Division, "Deposition of Edward L. Koch", Jan. 29, 2004 (manuscript pp. 1-265) (33 pages).
- GO Corporation, "At Last Technology Harnesses One of the Most Powerful Forces Known to Man," copyright 1991, Bates Stamped pp. HSD0014708-HSD0014721.
- GO Corporation, "Information Statement," 1993, Bates Stamped pp. HSD0014730-HSD0014947.
- DataQuill Limited v. Handspring, Inc.*, United States District Court for the Northern District of Illinois, Expert Witness Statement of Dr. David C. Allais, Ph.D., Nov. 12, 2003 (46 pages).
- DataQuill Limited v. Handspring, Inc.*, United States District Court for the Northern District of Illinois, "Expert Witness Statement of Mike Cheponis", Nov. 12, 2003 (84 pages).
- DataQuill Limited v. Handspring, Inc.*, United States District Court Northern District of Illinois Eastern Division, "Expert Report of George H. Gerstman", Nov. 12, 2003 (17 pages).
- DataQuill Limited v. Handspring, Inc.*, United States District Court for the Northern District of Illinois, Verified Expert Disclosure of Edward Koch Pursuant to Rule 26(a)(2)(B), Sep. 18, 2002 (17 pages).
- "Supplement to Verified Expert Disclosure of Edward Koch Pursuant to Rule 26(a)(2)(B)", Sep. 29, 2003 (15 pages).
- "Second Supplement to Verified Expert Disclosure of Edward Koch Pursuant to Rule 26(a)(2)(B)", Jan. 13, 2003 (24 pages).
- DataQuill Limited v. Handspring, Inc.*, United States District Court for the Northern District of Illinois, "Deposition of Mike Cheponis, San Francisco, California", Dec. 18, 2003 (103 pages) (includes transcript pp. 1-206).
- Carr, R., "The Point of the Pen", *Byte*, Feb. 1991, Bates Stamped pp. HSD0014696-HSD0014707.
- Schlender, B., "Hot New PCs That Read Your Writing", *Fortune*, 1991, Bates Stamped pp. HSD0014690-HSD0014695.
- Letter to Darryl M. Woo regarding Claims 43 and 54, Dec. 16, 2003 (1 page).
- DataQuill Limited v. Novatel Wireless, Inc.*, United States District Court for the Southern District of California, "Complaint", "Answer, Affirmative Defenses and Counterclaims", "Reply to Counterclaims", 2003 (43 pages).
- DataQuill Limited v. Kyocera Wireless, Corp.*, United States District Court Southern District of California, "DataQuill's Rule 26(a)(1) Initial Disclosure", Jun. 30, 2003 (3 pages).
- DataQuill Limited v. Kyocera Wireless, Corp.*, United States District Court Southern District of California, "DataQuill's Infringement Claim Chart", Jul. 18, 2003 (35 pages).
- DataQuill Limited v. Kyocera Wireless, Corp.*, United States District Court Southern District of California, "Defendant Kyocera Wireless Corporation's Initial Disclosures Pursuant to Federal Rules of Civil Procedure 26(A)(1)", Jul. 26, 2003 (6 pages).

*DataQuill Limited v. Kyocera Wireless, Corp.*, United States District Court Southern District of California, "Plaintiff's Settlement Brief", Aug. 22, 2003 (10 pages).

*DataQuill Limited v. Kyocera Wireless, Corp.*, United States District Court Southern District of California, "DataQuill's First Set of Interrogatories and Document Request", Sep. 23, 2003 (21 pages).

*DataQuill Limited v. Kyocera Wireless, Corp.*, United States District Court Southern District of California, "Defendant's Response to Plaintiff's First Set of Interrogatories and Request for Production of Documents", Nov. 19, 2003 (71 pages).

*DataQuill Limited v. Kyocera Wireless, Corp.*, United States District Court Southern District of California, "Defendant's Supplemental Response to Plaintiff's First Set of Interrogatories and Request for Production of Documents", Dec. 10, 2003 (6 pages).

*DataQuill Limited v. Kyocera Wireless, Corp.*, United States District Court Southern District of California, "Plaintiff's Initial Identification of Expert Witnesses", Dec. 5, 2003 (5 pages).

*DataQuill Limited v. Kyocera Wireless, Corp.*, United States District Court Southern District of California, "Kyocera's First Designation of Expert Witnesses", Dec. 5, 2003 (4 pages).

*DataQuill Limited v. Kyocera Wireless, Corp.*, United States District Court Southern District of California, "Settlement Brief", Aug. 29, 2003 (5 pages).

Docket Sheet for 1:01-CV-4635 U.S. District Court for the Northern District of Illinois, *DataQuill Limited v. Handspring, Inc.*, Mar. 8, 2004 (20 pages).

Decision to Grant a European Patent Pursuant to Art. 97(2) EPC, EP98200196.8-2210, Aug. 14, 2003 (52 pages).

*DataQuill Limited v. Handspring, Inc.*, United States District Court for the Northern District of Illinois, "DataQuill's Notice of Motion to Strike Certain Statements of Fact Accompanying Handspring's Renewed Motions for Summary Judgment", Nov. 7, 2002 (96 pages).

*DataQuill Limited v. Handspring, Inc.*, United States District Court for the Northern District of Illinois, "Defendant Handspring's Brief in Opposition to DataQuill's Motion to Strike Certain Statements of Fact Accompanying Handspring's Renewed Motions for Summary Judgment" Dec. 6, 2002 (73 pages).

*DataQuill Limited v. Handspring, Inc.*, United States District Court for the Northern District of Illinois, "Memorandum Opinion", Dec. 2, 2002 (5 pages).

*DataQuill Limited v. Handspring, Inc.*, United States District Court for the Northern District of Illinois, "Notice of Renewed Motions for Summary Judgment", Oct. 29, 2002 (3 pages).

*DataQuill Limited v. Handspring, Inc.*, United States District Court for the Northern District of Illinois, "Defendant Handspring's Memorandum in Support of its Renewed Motion for Summary Judgment of Noninfringement and Invalidity of U.S. Patent No. 6,058,304", Oct. 29, 2002 (14 pages).

*DataQuill Limited v. Handspring, Inc.*, United States District Court for the Northern District of Illinois, Defendant Handspring's Renewed Motion for Summary Judgment of Invalidity of U.S. Patent No. 6,058,304 in Light of United States Patent Nos. 5,465,401 and/or 5,335,276, Oct. 29, 2002 (14 pages).

*DataQuill Limited v. Handspring, Inc.*, United States District Court for the Northern District of Illinois, "Defendant Handspring's Renewed Motion for Summary Judgment of Invalidity of U.S. Patent No. 6,058,304 in Light of the EO Personal Communicator and Cellular Module", Oct. 29, 2002 (14 pages).

*DataQuill Limited v. Handspring, Inc.*, United States District Court for the Northern District of Illinois, "Defendant Handspring, Inc.'s Statement of Material Facts Regarding its Renewed Motions for Summary Judgment for Noninfringement and Invalidity of U.S. Patent No. 6,058,304", Oct. 29, 2002 (35 pages, also including Exhibits 1-6, inclusive of subparts).

*DataQuill Limited v. Handspring, Inc.*, United States District Court for the Northern District of Illinois, "DataQuill's Response to Handspring's Renewed Motion for Summary Judgment of Non-Infringement and Invalidity", Jan. 10, 2003 (12 pages).

*DataQuill Limited v. Handspring, Inc.*, United States District Court for the Northern District of Illinois, "Plaintiff's Response to Defen-

dant's Renewed Motion for Summary Judgment of Invalidity, In Light of United States Patent Nos. 5,465,401 and/or 5,335,276", Jan. 10, 2003 (12 pages).

*DataQuill Limited v. Handspring, Inc.*, United States District Court for the Northern District of Illinois, "Plaintiff's Response to Defendant's Motion for Summary Judgment of Invalidity In Light of the EO Personal Communicator and Cellular Module", Jan. 10, 2003 (23 pages).

*DataQuill Limited v. Handspring, Inc.*, United States District Court for the Northern District of Illinois, "Plaintiff's Local Rule 56.1(b)(3)(A) Response to Defendant Handspring, Inc.'s Statement of Material Facts Regarding its Renewed Motions for Summary Judgment for Noninfringement and Invalidity of U.S. Patent No. 6,058,304", Jan. 10, 2003 (48 pages).

*DataQuill Limited v. Handspring, Inc.*, United States District Court for the Northern District of Illinois, "DataQuill's Local Rule 56.1(b)(3)(B) Statement of Additional Facts Requiring the Denial of Handspring's Renewed Summary Judgment Motions", Jan. 10, 2003 (23 pages).

*DataQuill Limited v. Handspring, Inc.*, United States District Court for the Northern District of Illinois, "Appendix of Exhibits Relating to Plaintiff DataQuill's Local Rule 56.1(b)(3)(A) Response to Handspring's Statement of Facts and Plaintiff DataQuill's Local Rule 56.1(b)(3)(B) Statement of Additional Facts Requiring the Denial of Handspring's Renewed Summary Judgment Motions, vol. 1 of 3", Jan. 10, 2003 (3 pages, also including Exhibits 1-11).

*DataQuill Limited v. Handspring, Inc.*, United States District Court for the Northern District of Illinois, "Appendix of Exhibits Relating to Plaintiff DataQuill's Local Rule 56.1(b)(3)(A) Response to Handspring's Statement of Facts and Plaintiff DataQuill's Local Rule 56.1(b)(3)(B) Statement of Additional Facts Requiring the Denial of Handspring's Renewed Summary Judgment Motions, vol. 2 of 3", Jan. 10, 2003 (3 pages, also including Exhibits 12-17).

*DataQuill Limited v. Handspring, Inc.*, United States District Court for the Northern District of Illinois, "Appendix of Exhibits Relating to Plaintiff DataQuill's Local Rule 56.1(b)(3)(A) Response to Handspring's Statement of Facts and Plaintiff DataQuill's Local Rule 56.1(b)(3)(B) Statement of Additional Facts Requiring the Denial of Handspring's Renewed Summary Judgment Motions, vol. 3 of 3", Jan. 10, 2003 (3 pages, also (except confidential Exs. 19, 24) including Exhibits 18-25).

*DataQuill Limited v. Handspring, Inc.*, United States District Court for the Northern District of Illinois, "Appendix of Declarations and Deposition Testimony Relating to Plaintiff DataQuill's Local Rule 56.1(b)(3)(A) Response to Handspring's Statement of Facts and Plaintiff DataQuill's Local Rule 56.1(b)(3)(B) Statement of Additional Facts Requiring the Denial of Handspring's Renewed Summary Judgment Motions", Jan. 10, 2003 (190 pages).

*DataQuill Limited v. Handspring, Inc.*, United States District Court for the Northern District of Illinois, "Notice of Filing", Jan. 21, 2003 (3 pages).

*DataQuill Limited v. Handspring, Inc.*, United States District Court for the Northern District of Illinois, "Defendant Handspring's Reply Brief in Support of its Renewed Motion for Summary Judgment of Invalidity of U.S. Patent 6,058,304 in Light of the EO Personal Communicator and Cellular Module", Jan. 21, 2003 (6 pages).

*DataQuill Limited v. Handspring, Inc.*, United States District Court for the Northern District of Illinois, "Defendant Handspring, Inc.'s Reply in Support of its Renewed Motion for Summary Judgment of Noninfringement of U.S. Patent No. 6,058,304", Jan. 21, 2003 (6 pages).

*DataQuill Limited v. Handspring, Inc.*, United States District Court for the Northern District of Illinois, Defendant Handspring's Reply Brief in Support of its Renewed Motion for Summary Judgment of Invalidity of U.S. Patent No. 6,058,304 in Light of United States Patent Nos. 5,465,401 and/or 5,335,276.

*DataQuill Limited v. Handspring, Inc.*, United States District Court for the Northern District of Illinois, "Supplemental Declaration of Richard G. Sanders in Support of Handspring's Motions for Summary Judgment", Jan. 17, 2003 (2 pages, including Exhibits 1-7).

*DataQuill Limited v. Handspring, Inc.*, United States District Court for the Northern District of Illinois, "DataQuill's Motion for Leave to



File Surreply to Handspring's Renewed Motion for Summary Judgment of Invalidity in Light of the TI Patents", Feb. 7, 2003 (6 pages).

*DataQuill Limited v. Handspring, Inc.*, United States District Court for the Northern District of Illinois, "Handspring's Opposition to DataQuill's Motion for Leave to File Surreply to Handspring's Motion for Summary Judgment of Invalidity in Light of the TI Patents", Feb. 10, 2003 (11 pages).

*DataQuill Limited v. Handspring, Inc.*, United States District Court for the Northern District of Illinois, "Handspring's Renewed Motion to Strike the Report, the Declaration, and Exclude the Testimony, Harvey Brodsky", Jan. 21, 2003 (15 pages).

*DataQuill Limited v. Handspring, Inc.*, United States District Court for the Northern District of Illinois, "Declaration of Jonathan H. Takei in Support of Handspring's Renewed Motion to Strike the Report, the Declaration, and Exclude the Testimony, of Harvey Brodsky", Jan. 18, 2003 (2 pages, including Exhibits A-E).

*DataQuill Limited v. Handspring, Inc.*, United States District Court for the Northern District of Illinois, "Plaintiff DataQuill's Response to Defendant's Motion to Strike Brodsky Declaration", Feb. 10, 2003 (34 pages).

*DataQuill Limited v. Handspring, Inc.*, United States District Court for the Northern District of Illinois, "Plaintiff's Motion to Reconsider Part of Memorandum Opinion and Order", Mar. 14, 2003 (5 pages, including Exhibits A-B).

*DataQuill Limited v. Handspring, Inc.*, United States District Court for the Northern District of Illinois, "Defendant Handspring's Brief in Support of Its Opposition to DataQuill's Motion to Reconsider Part of Memorandum Opinion and Order", Apr. 1, 2003 (4 pages).

*DataQuill Limited v. Handspring, Inc. and Kyocera Wireless Corp.; Handspring, Inc., v. DataQuill Limited; Kyocera Wireless Corp. v. DataQuill Limited*, United States District Court for the Northern District of Illinois Eastern Division, "Memorandum Opinion", Feb. 28, 2003 (24 pages).

*DataQuill Limited v. Handspring, Inc.*, United States District Court for the Northern District of Illinois Eastern Division, "Memorandum Opinion", Apr. 16, 2003 (6 pages).

*DataQuill Limited v. Handspring, Inc.*, United States District Court for the Northern District of Illinois Eastern Division, "Plaintiff's Trial Brief", Feb. 17, 2004 (17 pages).

*DataQuill Limited v. Handspring, Inc.*, United States District Court for the Northern District of Illinois Eastern Division, "Defendant Handspring's Trial Brief", Feb. 17, 2004 (21 pages).

*DataQuill Limited v. Handspring, Inc.*, United States District Court for the Northern District of Illinois, "Final Pretrial Order", Feb. 17, 2004 (7 pages, including 15 Exhibits).

Intel Corporation, "80C31BH/80C51BH/87C51 MCS® 51 CMOS Single-Chip 8-BIT Microcontroller", Copyright 1995, (16 pages).

GO Corporation, "Technical Paper Series: The GO Message Center", 1992, Bates Stamped pp. CHEPONIS 000052-CHEPONIS 000081.

"Wireless for the Corporate User", Jun. 1993, Bates Stamped pp. CHEPONIS 000082-CHEPONIS 000148.

GO Corporation, "Getting Started with EO Personal Communicator", Copyright 1993, Bates Stamped pp. CHEPONIS 000152-CHEPONIS 000233.

GO Corporation, "Lookup Guide to the EO Personal Communicator", Copyright 1993, Bates Stamped pp. CHEPONIS 000234-CHEPONIS 000557.

GO Corporation, "The World of Messaging, An Introduction to Personal Communicators", Copyright 1993, Bates Stamped pp. CHEPONIS 000558-CHEPONIS 000631.

Photographs of an EO Personal Communicator 440, 1993, 11 pages.

*DataQuill Limited v. Handspring, Inc.*, United States District Court for the Northern District of Illinois Eastern Division, Handspring's Case Status Update, Jun. 28, 2004, 11 pages.

*DataQuill Limited v. Handspring, Inc.*, United States District Court for the Northern District of Illinois Eastern Division, Notice of filing, July 19, 2004, 3 pages.

*DataQuill Limited v. Handspring, Inc.*, United States District Court for the Northern District of Illinois Eastern Division, "Defendant Handspring, Inc.'s Opening Brief in Support of Its Motion for Summary Judgment of Invalidity," Jul. 19, 2004, 39 pages.

*DataQuill Limited v. Handspring, Inc.*, United States District Court for the Northern District of Illinois Eastern Division, "Defendant

Handspring, Inc.'s Supplemental Statement of Material Facts Regarding Its Motion for Summary Judgment for Invalidity of U.S. Patent No. 6,058,304 and Motion for Partial Summary Judgment as to Damages," Jul. 19, 2004, 5 pages.

*DataQuill Limited v. Handspring, Inc.*, United States District Court for the Northern District of Illinois Eastern Division, "Declaration of Khoi D. Nguyen in Support of Handspring's Motion for Summary Judgment of Invalidity and Motion to Strike the Report and Exclude Testimony of Joseph Gemini and for Partial Summary Judgment as to Damages," Jul. 19, 2004, 3 pages.

"High in Apple's Bet on PC," The New York Times, Jul. 30, 1993, 5 pages.

"Pen-based Zoomer, Newton phone services highlight CES," <http://www.dialogclassic.com/main.vmgw>, Jun. 7, 1993, 2 pages.

*DataQuill Limited v. Handspring, Inc.*, United States District Court for the Northern District of Illinois Eastern Division, Deposition of Edward L. Koch, Jan. 29, 2004, pp. 1-2, 179-181, 229-231, 234-237, 264-265.

"Gesture Set Economics for Text and Spreadsheet Editors," Proceedings of the Human Factors Society 34<sup>th</sup> Annual Meeting, 1990, pp. 410-414.

*DataQuill Limited v. Handspring, Inc.*, United States District Court for the Northern District of Illinois Eastern Division, "Declaration of Mike Cheponis in Support of Handspring's Motion for Summary Judgment of Invalidity," Jul. 18, 2004, 9 pages.

*DataQuill Limited v. Handspring, Inc.*, United States District Court for the Northern District of Illinois Eastern Division, "Plaintiff's Response to Handspring's (Third) Motion for Summary Judgment of Invalidity Based on Anticipation in View of "TI Patents" with Tabs A, B, C," Aug. 23, 2004, 53 pages.

*DataQuill Limited v. Handspring, Inc.*, United States District Court for the Northern District of Illinois Eastern Division, "DataQuill's L.R.56.1(b)(3)(B) Statement of Additional Facts Requiring the Denial of Handspring's Second Renewed Summary Judgment Motion and Handspring's Motion to Strike the Report and Exclude the Testimony of Joseph Gemini and for Partial Summary Judgment as to Damages," Aug. 23, 2004, 26 pages.

*DataQuill Limited v. Handspring, Inc.*, United States District Court for the Northern District of Illinois Eastern Division, "1. Plaintiff's L.R.56.1(b)(3)(A) Response to Handspring, Inc.'s Supplemental Statement of Material Facts: Second Renewed Motion for Summary Judgment for Invalidity of U.S. Patent No. 6,058,304 and Motion for Partial Summary Judgment as to Damages; 2. Plaintiff's L.R.56.1(b)(3)(A) Response to Handspring, Inc.'s Statement of Material Facts: Second Renewed Motion for Summary Judgment for Invalidity of U.S. Patent No. 6,058,304 and Motion for Partial Summary Judgment as to Damages," Aug. 23, 2004, 51 pages.

*DataQuill Limited v. Handspring, Inc.*, United States District Court for the Northern District of Illinois Eastern Division, Appendix to Response to Handspring's Supplemental and Initial Statement of Facts and Statement of Additional Facts Requiring (vol. 1 of 3), containing Edward Koch's Response to New Declaration of Mr. Cheponis, Second Supp. to Verified Expert Disclosure of Edward Koch Pursuant to Rule 26(a)(2)(B), Supp. to Verified Expert Disclosure of Edward Koch Pursuant to Rule 26(a)(2)(B), Deposition of Edward Koch, and Deposition of Michael Cheponis, Aug. 23, 2003, 160 pages.

*DataQuill Limited v. Handspring, Inc.*, United States District Court for the Northern District of Illinois Eastern Division, "Appendix to Response to Handspring's Supplemental and Initial Statement of Facts and Statement of Additional Facts Requiring (vol. 2 of 3), containing PX 21, pages from Treo 600 manual, 2003," Aug. 23, 2003, 6 pages.

*DataQuill Limited v. Handspring, Inc.*, United States District Court for the Northern District of Illinois Eastern Division, "Appendix to Response to Handspring's Supplemental and Initial Statement of Facts and Statement of Additional Facts Requiring (vol. 3 of 3), containing PX 101, Transcript of COMDEX Fall 2001, Handspring Keynote," Aug. 23, 2003, 79 pages.

*DataQuill Limited v. Handspring, Inc.*, United States District Court for the Northern District of Illinois Eastern Division, "Handspring,

Inc.'s Motion for Leave to Submit Reply Papers in Support of Its Motion for Summary Judgment of Invalidity and Motion to Strike," Aug. 27, 2004, 5 pages.

*DataQuill Limited v. Handspring, Inc.*, United States District Court for the Northern District of Illinois Eastern Division, "Order denying motion," Aug. 27, 2004, 1 page.

*DataQuill Limited v. Handspring, Inc.*, United States District Court for the Northern District of Illinois Eastern Division, "Notice of Filing of Corrected Page," Sep. 2, 2004, 3 pages.

*DataQuill Limited v. Handspring, Inc.*, United States District Court for the Northern District of Illinois Eastern Division, "Email re typo, sent to Court," Sep. 7, 2004, 1 page.

*DataQuill Limited v. Handspring, Inc.*, United States District Court for the Northern District of Illinois Eastern Division, "Local Rule 56.1(a)(3)(B) Statement of Handspring in Response to DataQuill's Local Rule 56.1(b)(3)(B) Statement," (includes Tab A) Sep. 3, 2004, 90 pages.

*DataQuill Limited v. Handspring, Inc.*, United States District Court for the Northern District of Illinois Eastern Division, "Supplemented Docket sheet," Sep. 8, 2004, 24 pages.

*DataQuill Limited v. Handspring, Inc.*, United States District Court for the Northern District of Illinois Eastern Division, "Notice of Motion and Motion for Leave to Submit Confidential-Designated Materials to Certain Third Parties," May 16, 2002, 5 pages and Tabs A-E.

*DataQuill Limited v. Handspring, Inc.*, United States District Court for the Northern District of Illinois Eastern Division, "Minute Order," Jun. 25, 2002, 2 pages.

Excerpts of Edward Koch Expert Reports, dated Mar. 22, 2005, Feb. 28, 2005, Jan. 13, 2004, Sep. 18, 2002, numbered PX11-1 to -124.

Edward Koch's Rebuttal to Certain New Contentions Raised by Kyocera, dated Jun. 23, 2005, numbered PX12-1 to -8.

1993 Consultancy Agreement, dated Mar. 22, 1993, bates No. KYO006928-32.

1995 Consultancy Agreement, dated Jan. 25, 1995, bates No. KYO006933-39.

Litigation Declaration of Francis Callaghan in *DataQuill Ltd. v. Kyocera Wireless*, dated Jun. 27, 2005, Numbered PX15-1 to -6.

Litigation Declaration of Paul Doran in *DataQuill Ltd. v. Kyocera Wireless*, dated Jun. 27, 2005, Numbered PX16-1 to -5.

Litigation Supp. Declaration of Paul Doran in *DataQuill Ltd. v. Kyocera Wireless*, dated Jul. 30, 2005.

Litigation Declaration of Garry Robb in *DataQuill Ltd. v. Kyocera Wireless*, dated Jun. 27, 2005, Numbered PX17-1 to -5.

Litigation Supp. Declaration of Garry Robb, GR0006 attached, in *DataQuill Ltd. v. Kyocera Wireless*, dated Aug. 1, 2005.

Plaintiff's Ex Parte Notice of Potential Amendment to Summary Judgment Record, dated Jul. 21, 2005.

Rainer Thonnes Deposition Excerpts, dated Mar. 29, 2005, numbered PX18-1 to -45.

Francis Callaghan Deposition Excerpts, dated Mar. 23, 2005, numbered PX19-1 to -10.

Paul Doran Deposition Excerpts, dated Mar. 24, 2005, numbered PX20-1 to -20.

Garry Robb Deposition Excerpts, dated Apr. 15, 2005, numbered 21-1 to -22.

Jan Orkisz Deposition Excerpts, dated Mar. 30, 2005, numbered PX22-1 to -26.

Lawrence Goffney Expert Report, Kyocera Wireless, dated Mar. 1, 2005, numbered PX23-1 -4.

Lawrence Goffney Notice of Errata re Expert Report, Kyocera Wireless, dated Mar. 4, 2005, numbered PX24-1-6.

TREO Communicator Information, dated 2003, bates No. DQ7958-61; DQ7903-09; DQ7918; DQ7922-24; DQ7939-40; DQ7945; DQ7947; DQ7843-44; DQ7846-51; DQ7855-57; DQ7863; DQ7866-67; DQ7880-84; PX25-1 to -38.

Excerpt from opinion, *Quanted Ltd. v. Spaceward Microsystems, Ltd.*, 1990 R.P.C. 83, 1990 WL 753823, numbered PX26-1 to -3.

Letter from Mr. Merrett, dated Apr. 2, 1996, numbered PX29-1 to -2.

Excerpts from U.S. Securities and Exchange Commission, Form 10-K/A Amendment, dated Jun. 28, 2003, numbered PX30-1 to -2.

Kyocera Response to First Set of Interrogatories, dated Nov. 19, 2003, PX31-1 to -11.

Kyocera Second Supplemental Responses to First Set of Interrogatories, dated Apr. 1, 2005, PX32-1 to -6.

Pages of "AT&T EO Personal Communicator The Digital Nomad's Guide," Copyright © 1993, bates No. KY005340-5348.

Rainer Thonnes, Deposition, pp. 1-284, dated Mar. 29, 2005.

"Ailing EO Cuts Workforce in Half," The San Francisco Chronicle, Mar. 10, 1994, numbered PX39-1 to -2.

"AT&t pulls the plug on high-tech EO," The San Francisco Chronicle, Jul. 28, 1994, numbered PX39-3 to -4.

"At&T pulls plug on ambitious EO pen-computing business," Business Journal, San Jose, Aug. 1, 1994, numbered PX39-5 to -6.

Plaintiff's Ex Parte Application to Correct Patent Term Glossary Definition of "Updating", dated Jun. 6, 2005.

Civil Docket Report in *DataQuill Ltd. v. Kyocera Wireless*, Docket as of Sep. 6, 2005.

Rainer Thonnes deposition testimony excerpts, dated Mar. 29, 2005, numbered EX02-032 to -077.

Garry Robb deposition testimony excerpts, dated Apr. 15, 2005, numbered EX03-078 to -140.

Facsimile from Mr. Robb to Mr. Ibbet re microprocessor, etc., Garry D. Robb, dated Sep. 12, 1988, bates No. KYO007130-7146.

Automated Service System, R. Thonnes or J. Johnstone, dated Dec. 14, 1988, bates No. KYO007147-7148.

Automated Service System—A Progress Report, R. Thonnes, dated Jun. 2, 1989, bates No. KYO007151-7153.

Automated Service System, R. Thonnes or J. Johnstone, dated Dec. 14, 1988, bates No. KYO007149-7150.

Barcode Reader, J. Johnstone, dated Sep. 15, 1989, bates No. KYO007154-7155.

"Winfair launches two-way bar code reader," Glasgow Herald, Scotland, dated Aug. 25, 1992, bates No. KYO006926-6927; KYO008809; EX09-169.

Note from Rainer Thonnes to Paul Doran re modifications and barcodes, Mar. 9, 1995, bates No. DQ01304-1308.

DataQuill a report by Colin Bill and Anthony Hopkin, dated Apr. 7, 1995, bates No. DQ2018-2029; EX11-175 to -186.

Jan Orkisz deposition testimony excerpts, dated Mar. 30, 2005, numbered EX12-187 to -219.

Company formation documents of Winfair Systems (Scotland) Limited, 1991, bates No. KYO006940-69; EX13-220 to -238.

Rainer Thonnes Declaration, dated Jul. 25, 2005, numbered EX14-239 to -240.

Letter from Kim Robb to Rainer Thonnes, dated May 29, 1991, bates No. RT000001-2.

"DataQuill," Winfair Systems Limited., Scotland, 1992, bates No. DQ0900; AT000002 (produced by Alec Tait).

Patent Status Information, UK Patent Office, dated May 19, 2005; Register Entry for GB2282906, dated May 2001; Notification of Grant, The Patent Office, UK dated Oct. 1, 1996; Request for Grant of a Patent, DataQuill Ltd., UK, dated Oct. 13, 1993m bates No. EX17-244 to -245, BIF002779-82, BIF002856-57.

Excerpt of UK Patent Application GB 2,282,906 A publication, DataQuill Ltd., dated Apr. 19, 1995, bates No. EX18, BIF002810-2818.

UK Patent Law, dated Jun. 1, 1991, numbered EX19-261 to-263.

Francis J. Callaghan Deposition excerpts (Handspring), Mar. 4, 2002, numbered EX25-307 to -313.

Paul Doran Deposition excerpts, dated Mar. 24, 2005, numbered EX26-314 to -323.

Paul Doran Deposition excerpts (Handspring), dated Mar. 4, 2002, numbered EX27-234 to -333.

Garry D. Robb Deposition excerpts (Handspring), dated May 31, 2002, numbered EX28-334 to -337.

Francis Callaghan Deposition excerpts, dated Feb. 23, 2005, numbered EX29-338 to -365.

"AT&T EO 440 Personal Communicator available in Phone Centers," dated Jun. 30, 1993 and Jul. 3, 2001, bates No. EX30, BFI 001705-06.

"Personal digital assistants win a hand," Computer Line, dated Sep. 28, 1993, numbered EX30-368-69.

Business, San Diego Tribune, dated Sep. 17, 1993, numbered EX30-370-71.

- Copyright Certificate of Registration "AT&T EO Personal Communicator: The Digital Nomad's Guide," dated Jul. 5, 1994, numbered EX31-372-373.
- Pages of "AT&T EO Personal Communicator The Digital Nomad's Guide," Copyright © 1993, numbered, EX32, EX32-374 to -395; KYO005340-5342.
- Behind the Wheel of the First Zoomer and Newton PDAs, Byte, Sep. 1993, bates No. EX33, KYO005919-5921.
- Advertisement, Casio Zoomer, Los Angeles Times, Oct. 10, 1993, bates No. EX34-399 to -401, KYO007390-91.
- "The Wireless Factor," Byte, Oct. 1993, bates No. KYO005890.
- "EO's Personal Communicator Ushers in a New Era," Byte, Mar. 1993, bates No. KYO005917.
- "State of the Art Client/Server Frees Data," Byte, Jun. 1993, bates No. KYO005918.
- "PDAs Arrive But Aren't Quite Here Yet," Byte, Oct. 1993, bates No. KYO005898-900.
- "Some Computer Science Issues in Ubiquitous Computing," pp. 75-85, Communications of the ACM, Jul. 1993, bates No. KYO009071-82.
- Excerpts of "IBM's Personal Computer," Que Corporation, Copyright © 1982, bates No. KYO009116-21.
- "The Complete Error Free System to Save Your Company Time and Money", Winfair Systems (Scotland) Limited, 1992, bates No. EX35-402-403; DQ00914-15; DQ00916-17; DQ02417-18; DQ02409-10; AT000003-4.
- Letter from Office of the Chief Advisor to the States, States of Jersey, 26<sup>th</sup> Oct. 1993, bates no. DQ02149-50.
- Business plan, RHS/BTS/DataQuill, bates No. DQ01969-2011.
- Memo., Communication Protocol Revised Specification of DataQuill/Computer, DataQuill, R. Thonnes, Apr. 2, 1992, bates No. DQ00331-34; DQ02405-06.
- Type Examination Certificate No. BABT/95/2886, British Approvals Board for Telecommunications, dated Aug. 21, 1995, bates No. DQ02242-44.
- Production Quality Assurance Approval No. 0736, British Approvals Board for Telecommunications, dated Jul. 31, 1995, bates No. DQ02246-47, 48.
- DataQuill Patent Protected System, DataQuill Ltd., 1995, bates No. DQ03393-94.
- "Barcode pens keep stock of business," Sunday Times, Jun. 18, 1995, bates No. DQ01159.
- "Worth Watching," Della Bradshaw, Financial Times, dated Aug. 4, 1994, bates No. DQ00377.
- "Surprise AOL Wins," Fortune, dated Mar. 30, 1998, bates No. DQ00071-79.
- Invoice re Consultancy Services of Dr R Thonnes, Department of Computer Science—Apr. & May 1993, dated Jul. 22, 1993, bates No. DQ00092.
- The Bar Code Color Book, Symbology Inc., Table 4 continued, Feb. 2, 1989, bates No. DQ01034-39.
- UPC Check Digit Calculation[etc], Symbology Ltd, © Copyright 1991, bates No. DQ01040-46.
- Fax transmission, Telxon Limited, dated Jul. 7, 1993, bates No. DQ01759.
- Text systems, Text Systems Ltd, Sep. 28, 1993, bates No. DQ01889-94.
- SDT Nouveau terminal de saisie de donnees, Symbol Technologies Inc., 1990, bates No. DQ01895-96.
- PDT Plus Portable Data Collection Terminal, Symbol Technologies Inc., 1990, bates No. DQ1897-98.
- "The pen is mightier . . .", Automatic I.D. News Europe, Jun. 1995, bates No. DQ02291-92.
- Bar Code Symbolologies, pp. 11-18, 27-28, bates No. DQ02419-26, DQ02443-44.
- Telxon Portable 24-Column Microprinter, Telxon Limited, © Copyright 1984, bates No. DQ02451-52.
- Various letters to/from DataQuill Ltd. re licensing issues, dated 1995 to 1999, bates No. EX36, DQ00304; DQ00214; DQ00207; DQ00447; DQ00521-23; DQ1711-12; DQ2545; DQ2595; DQ3306-07; DQ3309; DQ3352-54; DQ3363-68; DQ3404; DQ3449; DQ3573; DQ3605; DQ3615.
- Letter to F J Callaghan, Nokia, dated May 1, 1997, bates No. EX37, DQ3309.
- General Notes on the DataQuill, Rainer Thonnes to Frank Callaghan, dated Feb. 8, 1998, bates. No. EX38, DQ00115-118.
- Claim Chart of Kyocera Wireless re claim No. 31, dated Jun. 7, 2005, numbered EX39-437 to -449.
- Claim Construction Order, *DataQuill Ltd. v. Kyocera Wireless*, dated May 11, 2005, numbered EX40-450 to -467.
- Declaration of Royce W. Fletcher, dated Jun. 7, 2005, numbered EX41-468 to -511.
- Excerpts from Markman Hearing Transcript, dated May 3, 2005, numbered EX42-512 to -517.
- Pages from "The Official Guide to the Prodigy Service," © 1991, bates No. EX47, KY0005411-29.
- Order Denying Defendant's Motion for Summary Judgment and Partial Summary Judgment, filed Jul. 22, 2005.
- Excerpt of Expert Report of Royce W. Fletcher, Kyocera Wireless, dated Mar. 2005, EX52-766 to -767.
- Excerpt of Verified Expert Report of Edward Koch, dated Mar. 22, 2005, numbered EX53-768 to -769.
- Claim Chart of Kyocera Wireless, dated Jun. 7, 2005, numbered EX56-855 to -863 (includes attachment).
- Plaintiff's Memorandum of Points and Authorities in Opposition to Kyocera's Motion for Summary Judgment, dated Jun. 27, 2005.
- Plaintiff's Responses to Kyocera's Separate Statement of Facts in Opposition to Kyocera's Motion for Summary Judgment, dated Jun. 27, 2005.
- DataQuill's Separate Statement of Facts in Opposition to Kyocera's Motion for Summary Judgment, dated Jun. 27, 2005.
- Notice of Lodgment of Exhibits, dated Jun. 27, 2005.
- Memorandum of Points and Authorities in Support of Kyocera's Motion for Summary Judgment re Patent No. 6,058,304, dated Jun. 7 2005.
- Separate Statement of Material Facts in Support of Kyocera's Motion for Summary Judgment and Partial Summary Judgment re: U.S. Patent No. 6,058,304, dated Jun. 7, 2005.
- N. Rhys Merrett Deposition Transcript excerpt, dated Apr. 16, 2002, bates No. EX21, FW11515; FW11528; EX21-266 to -67.
- Superseding Claim Construction Order for United States Patent No. 6,058,304, *DataQuill Ltd. v. Kyocera Wireless*, dated Jul. 1, 2005.
- Supplemental Declaration of Royce W. Fletcher in Support of Kyocera's Motion for Summary Judgment and Partial Summary Judgment, dated Jul. 5, 2005.
- Letter from Frank Callaghan to Lawrence D'arcy, dated Dec. 5, 1997, bates No. EX57, DQ00304.
- DataQuill, DataQuill Ltd., dated post Feb. 1996, bates No. EX58, DQ00651-52.
- DataQuill, DataQuill Ltd., dated post Feb. 1996, bates No. EX59, DQ00527.
- Letter, Frank Callaghan to Chris James/Bill Gates re DataQuill Ltd., dated Jul. 12, 1998, bates No. EX60, DQ01711-12.
- Facsimile from Sue Powell to Frank Callaghan re Meeting at Psion Industrial, dated Jul. 30, 1997, bates No. EX61, DQ03544-48.
- DataQuill's Rule 26(a)(1) Initial Disclosure, dated Jun. 30, 2003.
- U.K. Patent Application 9600804.0, dated Jan. 17, 1996.
- Excerpts of Paul Doran Deposition, dated Mar. 24, 2005, EX 67, pp. 1, 52.
- Excerpts of Markman Hearing, dated May 3, 2005, EX69, pp. 1, 261.
- Excerpts of Rainer Wilhelm Thonnes deposition, dated Mar. 29, 2005, EX70, pp. 1, 87.
- Expert Report of Royce W. Fletcher, Kyocera Wireless, dated Mar. 1, 2005, EX71, pp. 1-24; Exhibits I, II, III, IV, and V.
- Pages of Intel Product Guide, dated 1990, bates No. EX72, KYO009112-15.
- Excerpts of Supplemental Expert Report of Royce W. Fletcher relating to validity, Kyocera Wireless, dated Aug. 5, 2005, SUP-1 to -4; OBV\_SUP-1 to -38; IMP\_SUP-1 to -3; DOC\_SUP-1 to -2; Attachment I; Attachment II.
- Expert Report of Lawrence J. Goffney, Jr., Kyocera Wireless, dated Mar. 1, 2005, EX74, pp. 1-24; Exhibit A.
- Reply Memorandum of Points and Authorities in Support of Kyocera's Motion for Summary Judgment and Partial Summary Judgment re Patent No. 6,058,304, dated Jul. 5, 2005.

- DataQuill's (Second) Ex Parte Motion to Strike Certain New Exhibits and Theories Re Kyocera's Motion for Summary Judgment, dated Jul. 15, 2005.
- Kyocera's Responses to DataQuill's Separate Statement of Facts in Opposition to Motion for Summary Judgment of Partial Summary Judgment, dated Jul. 5, 2005.
- Notice of Lodgment, dated Jul. 11, 2005.
- Declaration of Alec Tait in Support of Kyocera's Reply Regarding its Motion for Summary Judgment and Partial Summary Judgment re: U.S. Patent No. 6,058,304 dated Jul. 5, 2005.
- Kyocera's "Ex Parte Application Correcting Typographical Error"; Dain Declaration; dated Jul. 12, 2005.
- Plaintiff's Response to Kyocera's "Ex Parte Application Correcting Typographical Error"; Dain Declaration, dated Jul. 15, 2005.
- Declaration of John S. Kyle in Reply Regarding Defendant Kyocera wireless Corp.'s Motion for Summary Judgment and Partial Summary Judgment, dated Jul. 5, 2005.
- Declaration of Victor M. Felix in Support of Kyocera Wireless Corp.'s Motion for Summary Judgment and Partial Summary Judgment, dated Jul. 5, 2005.
- Provision of a copy of the minutes in accordance with Rule 76(4) EPC, in EPO, dated Feb. 2, 2001.
- Grounds for Appeal and attached Feb. 21, 2005 Decision of the Board, and cumulative list of cited art, in EPO, dated Jul. 13, 2005.
- Docket sheet, Documents for application No. 94927728, dated Jul. 21, 2005.
- Docket sheet, Documents for application No. 98200196, dated Jul. 21, 2005.
- "The Global System for Mobile Communication," M. Mouly, Copyright © 1992, excerpts, cover pages, pp. 67-71.
- Notes re "ScanTech. Jun. 23", bates No. ORK000003.
- Memo., Winfair Systems (Scotland) Limited, Feb. 26-28, 1992, bates No. ORK000004-9.
- Memo., Winfair Systems (Scotland) Limited, 1992, bates No. ORK000010-16.
- Dataquill projected sales for 1992, Winfair Systems (Scotland) Limited, 1992, bates No. ORK000017.
- Meeting agenda, Winfair Systems (Scotland) Limited, Aug. 3, 1992, bates No. ORK000018.
- Minutes of meeting held, Winfair Systems (Scotland) Limited, Jul. 14, 1992, bates No. ORK000021-22.
- Letter to Winfair Systems (Scotland) Ltd. from Jan K. Orkisz, Winfair Systems (Scotland) Limited, Sep. 7, 1992, bates No. ORK000024.
- Overdraft guarantee, Winfair Systems (Scotland) Limited, Mar. 2, 1992, produced by Jan Orkisz.
- Share Certificate, Winfair Systems (Scotland) Limited, May 28, 1992, bates No. AT000001.
- 1988 CCITT Blue Book, [www.nmedia.net/docs/ccitt/1988](http://www.nmedia.net/docs/ccitt/1988), Feb. 9, 2005, bates No. KYO005562-67.
- Matrix Bar Code Symbolologies, [www.aimglobal.org/aimstore/matrixsymbolologies.htm](http://www.aimglobal.org/aimstore/matrixsymbolologies.htm), Mar. 23, 2004, bates No. KY0005672-74.
- "Sharp's Non-Newtonian PDA," Byte, dated Oct. 1993, bates No. KYO005884-89.
- "The future of pen computing," Byte, dated Mar. 1992, bates No. KYO005894, pp. 115-116, 118.
- "Ease of use is relative," Byte, dated Oct. 1993, bates No. KYO005901-04.
- "Rough Gems: first pen systems show promise, lack refinement," Byte, dated Apr. 1992, bates No. KYO005905-10.
- What's New Systems, Byte, dated Jan. 1992, bates No. KYO005897.
- Dataquill 1 Prototype, Winfair Systems Ltd., bates No. AT000005.
- Memo., Requirements for Cherry International, Winfair Systems Ltd., bates No. AT000006-07.
- Tait to Grange Galleries, Winfair Systems Ltd., Jul. 27, 1992, bates No. AT000008-09.
- item systems fax to Winfair Systems Ltd., Jun. 17, 1992, bates No. AT000010.
- Fax from Jan Orkisz, Winfair Systems, Jun. 19, 1992, bates No. AT000011.
- Brief Specification of the DataQuill, R. Thonnes, 1995 or 1996, bates No. DQ02407.
- Memo. re DataQuill specification, dated Sep. 10, 1993, bates No. DQ00094-97.
- Non-disclosure Agreement, dated Sep. 24, 1993, bates No. DQ01887-88.
- Note from R. Thonnes to G. Robb, dated Oct. 19, 1993, bates No. DQ02088.
- Gupta carving niche in PC LAN development; local area network; Company Profile, Software Magazine, vol. 13 ; No. 4 ; p. 118, dated Mar. 1993.
- Modeling transaction integrity: how CASE tools illustrate the relationships between transactions and data; computer-aided software engineering; Application Strategies; Tutorial, DBMS. vol. 6; No. 1; p. 62, dated Jan. 1993.
- Using stored procedures and triggers; Application Strategies; Tutorial, DBMS, vol. 5; No. 10; p. 66, dated Sep. 1992.
- The goal: a real network; how the testing methodology for the servers was created; includes related article on Structured Query Language Statements; What's the Right Size?, Corporate Computing, vol. 1; No. 1; p. 133, dated Jun. 1992.
- The future of pen computing, Part 2, Byte, dated Apr. 1992, bates No. KYO005891-93.
- Wireless Mobile Communications, Byte, Feb. 1993, pp. 147-154, bates No. KYO009061-67.
- DataQuill Ltd. v. Kyocera Wireless Corp.*, United States District Court for the Southern District of California, Certificate of translation of JP 1 314462, dated Dec. 19, 1989 produced by Kyocera Wireless, dated Apr. 20, 2005, bates No. KYO009043.
- Telnet protocol specification, Network Working Group, dated May 1983, bates No. KYO009044-60.
- Responsive Office Environments, Communications of the ACM, dated Jul. 1993, pp. 84-85, bates No. KYO009071-72.
- Some Computer Science Issues in Ubiquitous Computing, Communications of the ACM, dated Jul. 1993, pp. 75-84, bates No. KYO009073-82.
- One chip to bind all cell phone functions, CNET News.com, dated May 4, 2005, bates No. KYO009236.
- The Single Chip Cellphone—Not just talk anymore, [www.abiresearch.com/products/insight](http://www.abiresearch.com/products/insight), dated Feb. 28, 2005, bates No. KYO009237-38.
- QUALCOMM announces single chip Mobile Station Modem ASIC, Business Wire, Inc., Business Wire, dated Mar. 2, 1993.
- Firmware for Dataquill hand held bar code reader unit, R. Thonnes, Univ. of Edinburgh, ver Jan. 8, 1992, KY0007016-66; ex. D-71.
- U.S. App. No. 08/111,531, dated Dec. 23, 2004, bates No. KYO006748-80.
- Communications get personal, Byte, dated Feb. 1993, bates No. KYO005911-16, pp. 169-70, 172, 174, 176-177.
- DataQuill Ltd. v. Kyocera Wireless Corp.*, United States District Court for the Southern District of California, Report and Recommendation for Order Granting in Part and Denying in Part Kyocera's Motion to Continue Trial, to Compel Production of Documents and for Sanctions Based on New Evidence, dated Sep. 6, 2005 (15 pages).
- DataQuill Ltd. v. Kyocera Wireless Corp.*, United States District Court for the Southern District of California, Order Granting in Part and Denying in Part Kyocera's Motion to Continue Trial, dated Sep. 6, 2005 (4 pages).
- DataQuill Ltd. v. Kyocera Wireless Corp.*, United States District Court for the Southern District of California, deposition transcript of Francis Callaghan, dated Mar. 23, 2005 (130 pages).
- DataQuill Ltd. v. Kyocera Wireless Corp.*, United States District Court for the Southern District of California, Defendant Kyocera Wireless Corp.'s Memorandum of Fact and Law Re: Patent No. 6,058,304 [Local Rule 16.1 (f)(2) & (3)], dated Aug. 14, 2005 (34 pages).
- DataQuill Ltd. v. Kyocera Wireless Corp.*, United States District Court for the Southern District of California, deposition transcript of Paul Doran, dated Mar. 24, 2005 (160 pages).
- DataQuill Ltd. v. Kyocera Wireless Corp.*, United States District Court for the Southern District of California, deposition transcript of Gary Robb, dated Apr. 15, 2005 (204 pages).
- DataQuill Ltd. v. Kyocera Wireless Corp.*, United States District Court for the Southern District of California, deposition transcript of Jan Orkisz, dated Mar. 30, 2005 (124 pages).

- Court's Order on Motions in Limine and Motion to Bifurcate Trial [115, 118-124, and 128], *DataQuill Ltd. v. Kyocera Wireless*, dated Nov. 7, 2005.
- Defendant's Trial Exhibits, *DataQuill Ltd. v. Kyocera Wireless*, dated Nov. 3, 2005.
- Plaintiff's Noticed of Reduced Number of Asserted Claims for Trial Pursuant to Court's Request, *DataQuill Ltd. v. Kyocera Wireless*, dated Nov. 3, 2005.
- Court's Order Granting in Part Defendant's Motion for Partial Reconsideration of the Markman Ruling Construing the Claim Term "Reading Sensor" in United States Patent No. 6,058,304 [204-1 and 204-2], *DataQuill Ltd. v. Kyocera Wireless*, dated Oct. 25, 2005.
- Court's (Second) Superseding Claim Construction Order, *DataQuill Ltd. v. Kyocera Wireless*, dated Oct. 25, 2005.
- Defendant Kyocera's Points and Authorities in Support of Motion to Augment Record on Kyocera's Motion in Limine No. 1 of 7, *DataQuill Ltd. v. Kyocera Wireless*, dated Oct. 5, 2005.
- Defendant Kyocera's 35 U.S.C. Section 282 Disclosure, *DataQuill Ltd. v. Kyocera Wireless*, dated Sep. 30, 2005.
- Plaintiff's Response to Defendant's Seven Motions in Limine, *DataQuill Ltd. v. Kyocera Wireless*, dated Aug. 15, 2005.
- Plaintiff's Notice of Lodgment of Exhibit in Response to Kyocera's Seven Motions in Limine, *DataQuill Ltd. v. Kyocera Wireless* [certain additional exhibits not under seal], dated Aug. 15, 2005 [Exhs. Nos. 7, 8, 9, 10].
- Defendant Kyocera's Motion in Limine No. 1 of 7, *DataQuill Ltd. v. Kyocera Wireless*, dated Aug. 1, 2005.
- Defendant Kyocera's Notice of Lodgment of Exhibits in Support of Kyocera's Motions in Limine Nos. 1 Through 7, *DataQuill Ltd. v. Kyocera Wireless* [certain additional exhibits not under seal], dated Aug. 1, 2005 [Exhs. Nos. 5, 6, 7, 8].
- Handwritten notes, dated Apr. 26, 1993 [RT0000003; DX 1952].
- Letter from G. Robb to R. Thonnes re return of EPROM OTP; Fax message from Thonnes to Callaghan re contacts in Paisley, dated Jun. 8, 1993 [RT0000004-RT0000005; DX 1953].
- Fax message from R. Thonnes to Don Anderson (ATC Systems), dated Jan. 29, 1996 [RT0000006-RT0000006; DX 1954].
- Letter from P.W. Michel to R. Thonnes, dated Jan. 26, 1996 [RT0000008; DX 1955].
- Handwritten notes and drawings, dated Feb. 1, 1995 [RT0000009-RT0000010; DX 1956].
- Portions of draft article with handwritten notes, dated Feb. 29, 1995 [RT0000023-RT0000026; DX 1958].
- Letter from G. Robb to R. Thonnes with attached article by John Vellam. dated Mar. 3, 1995 [RT0000027-RT0000032 DX 1959].
- Fax from G. Robb to R. Thonnes with handwritten notes, dated Jul. 26, 1995 [RT0000033-RT0000034; DX 1960].
- Fax from Doran to Thonnes with attached fax from Simon Taylor to Doran (Jul. 12, 1995) re modem data throughput, dated Jul. 17, 1995 [RT0000035-RT0000038; DX 1961].
- Abstract re the Address Decoding Scheme used in the DataQuill Barcode Reader Pen, R. Thonnes, Nov. 1995 [RT0000039-RT0000040; DX 1962].
- Schematic of DataQuill CPU board, RWT, dated Feb. 1, 1995 [RT0000041-RT0000043; DX 1963].
- Delivery / shipping form for Pen Motherboard, ATCS, dated Jan. 9, 1995 [RT0000044; DX 1964].
- Fax message from R. Thonnes to Don Anderson ATCS, dated Sep. 6, 1995 [RT0000045; DX 1965].
- Fax message from G. Robb to R. Thonnes re questions from marketing department, DataQuill Ltd., dated Jul. 11, 1995 [RT0000046; DX 1966].
- Fax message from R. Thonnes to Jim Campbell, dated Aug. 29, 1995 [RT0000047; DX 1967].
- Memorandum dated Aug. 1995 [RT0000049; DX 1968].
- List of Setups for Rockwell RC2324ACE Modem, dated Aug. 29, 1995 [RT0000050; DX 1969].
- Fax message from G. Robb to R. Thonnes sending modem settings on DQ, dated Aug. 3, 1995 [RT0000051-RT0000052; DX 1970].
- Letter from R. Thonnes to Reg Brailey, dated May 25, 1995 [RT0000057-RT0000058; DX 1971].
- Fax from R. Thonnes to P. Doran, DataQuill Ltd., dated Apr. 25, 1995 [RT0000059; DX 1972].
- Fax from P. Doran to R. Thonnes to Doran, dated Jan. 27, 1995 [RT0000060-RT0000065; DX 1973].
- Specification of DataQuill Computer Communications Protocol, DataQuill Ltd., R. Thonnes, dated Apr. 2, 1992 as revised in Feb. 1, 1995 [RT0000066-RT0000069; DX 1974].
- Note from F. Callaghan to R. Thonnes with attached letter from Instaspect, DataQuill Ltd., dated Apr. 27, 1995 [RT0000070-RT0000071; DX 1975].
- Iceland (foods) sample bar codes, Instaspect Ltd., dated May 3, 1995 [RT0000072-RT0000074; DX 1976].
- Parts list for DataQuill CPU Board, DataQuill Ltd., dated Jan. 13, 1995 [RT0000075-RT0000076; DX 1977].
- Letter from R. Thonnes to P. Doran, dated Mar. 9, 1995 [RT0000077-RT0000078; DX 1978].
- Fax message from R Brailey to D. Anderson, ATCS, R. Thonnes re circuit diagram & short on C9, dated Feb. 27, 1995 [RT0000079-RT0000082; DX 1979].
- Fax message from P. Doran to R. Thonnes re problems, dated Feb. 15, 1995 [RT0000083-RT0000084; DX 1980].
- Letter from G. Robb to R. Thonnes, dated Feb. 16, 1995 [RT0000085; DX 1981].
- Letter from Kim Robb to R. Thonnes, undated [RT0000086; DX 1982].
- Artwork / Media dispatch note, Photo Circuits art work, dated Jan. 20, 1995 [RT0000087; DX 1983].
- Fax message from R. Brailey to R. Thonnes re.REM G. Robb Wand PCB Rev. B 1995 MODS, dated Jan. 23, 1995 [RT0000088-RT0000096; DX 1984].
- Brief specification of the DataQuill, DataQuill Ltd., dated Jan. 23, 1995 [RT0000087; DX 1985].
- Message to Jim from PCD Ltd., dated May 29, 1991 [RT0000098-RT000103; DX 1986].
- Modem XTALS and Associated Capacitors, dated Jul. 8, 1991 [RT0000104; DX 1987].
- Parts list for modem version three, dated Sep. 17, 1992 [RT000112-RT000114; DX 1988].
- Document: "*DataQuill v. Kyocera*, Oversized Document, Feb. 12, 1991 Handheld Unit V2B Barcode Reader sheet 1 of 2 schematic drawing" [RT000115; DX 1989].
- Document: "*DataQuill v. Kyocera*, Oversized Document: Barcode Reader Modem Card V3 sheet 1 of 3 schematic drawing" [RT000116; DX 1990].
- Document: "*DataQuill v. Kyocera*, Oversized Document: Barcode Reader Modem Card V3 sheet 2 of 3 schematic drawing" [RT000117; DX 1991].
- Document: "*DataQuill v. Kyocera*, Oversized Document: Barcode Reader Modem Card Line Interface sheet 3 of 3 schematic drawing" [RT000118; DX 1992].
- Document: "*DataQuill v. Kyocera*, Oversized Document: Schematic Drawing" [RT000119; DX 1993].
- The Potential Market for the DataQuill, prepared by CIT Research for Highlands and Islands Enterprise, dated Feb. 14, 1994 [DQ01003-DQ01026; DX 1694].
- DataQuill's Response to Kyocera's First Set of Interrogatories, *DataQuill v. Kyocera Wireless*, [certain non-confidential portions], dated Feb. 9, 2005 [DX 2016, pp. 1-3; 12-21].
- DataQuill's Response to Kyocera's Second Set of Interrogatories, *DataQuill Ltd. v. Kyocera Wireless*, dated Feb. 24, 2005 [DX 2017].
- DataQuill's Response to Kyocera's First Set of Requests for Admission, *DataQuill Ltd. v. Kyocera Wireless*, dated Feb. 1, 2005 [DX 2015].
- Francis J. Callaghan Deposition transcript, *DataQuill Ltd. v. Kyocera Wireless*, pp. 1-99, dated Oct. 28, 2005.
- Paul Doran Deposition transcript, *DataQuill Ltd. v. Kyocera Wireless*, pp. 1-21, dated Nov. 2, 2005.
- Diary notes, G. Robb, dated Aug. 1992 [Def's Ex. 116 (Doran); GR0036].
- Paul Doran deposition transcript dated Mar. 2005, with handwritten notations, *DataQuill Ltd. v. Kyocera Wireless*, pp. 1-160, dated Nov. 2, 2005 [Def's Ex. 117 (Doran)].
- Diary notes, G. Robb, dated Jan. 20, 1994 [Def's Ex. 250 (Callaghan); GR0105-106].

- Plaintiff's Ex Parte Notice of Potential Amendment to Summary Judgment Record, *DataQuill Ltd. v. Kyocera Wireless*, dated Jul. 21, 2005 [Def's Ex. 252 (Callaghan)].
- Docket Sheet, *DataQuill Ltd. v. Kyocera Wireless*, dated Nov. 16, 2005.
- Transcript of Status Hearing, *DataQuill Ltd. v. Kyocera Wireless*, cover pgs. and pp. 1-10, dated Nov. 8, 2005.
- Order Setting Special Briefing Schedule and Setting Settlement Conference and Setting Trial Date, *DataQuill Ltd. v. Kyocera Wireless*, dated Nov. 28, 2005.
- Gary D. Robb Deposition transcript, *DataQuill Ltd. v. Kyocera Wireless*, cover pgs., pp. 1-146, index pp. 1-16 (also referring to C51, C87, C191, C184, C88), dated Oct. 26, 2005.
- Diary notes, G. Robb, dated variously from May 1992 to Sep. 1995 [Def's Ex. 109 (Robb); GR006-GR0115].
- Letter from Garry D. Robb to Franklin Woolfson re correspondence, *DataQuill Ltd.*, dated Sep. 8, 1993 [DX 1653; DQ00330].
- English translation of Decision of Rejection (titled "Decision of Rejection") directed against Japanese patent application No. 511431/95, Feb. 5, 2004 (2 pages).
- Magic Cap, *Magic Cap Means Communication*, General Magic Inc., © 1994, pp. 1-56, plus cover and two end pages.
- Motorola's Envoy Personal Wireless Communicator lets you organize your life from almost anywhere . . . with no strings attached.*, Motorola Inc., © 1994, two pages.
- The Marco Wireless Communicator keeps you in touch, even when you're out of reach*, Motorola, Inc., © 1994, two pages.
- Simon Mobile Communications Made Simple*, BellSouth, (c) 1993, 11 pages.
- Internal Memorandum Re Summary of Response to Siemens re recent references from Siemens re U.S. pat. 6,058,304, dated Apr. 27, 2006 3 pages, Dataquill outside litigation counsel, and attached claim charts of Siemens Corp., Exhibits A, B, and C, 15 pages, dated Apr. 25, 2006.
- The GSM System for Mobile Communications A comprehensive overview of the European Digital Cellular Systems, Cell & Sys. Correspondence. © 1992, 3 cover pages, pp. 56-59, 550-565.
- Internal Memorandum Re Summary of Response re recent references from Motorola re U.S. pat. 6,058,304, Dataquill outside litigation counsel, dated May 23, 2006, 9 pages, and attached claim charts, Exhibits A and B, dated May 4, 2006, 8 pages, attached Dataquill Meeting Agenda and claim chart, Exhibit C, dated May 9, 2006, 16 pages.
- Internal Memorandum Re: Summary of response re recent references re U.S. pat. 6,058,304, dated Oct. 24, 2006, 3 pages, Dataquill outside litigation counsel, and attached claim chart of Sanyo (Exhibit A), dated Oct. 2006, 2 pages.
- Lieske, Dana, "The EO 440 and EO 880 Mobile Computing Sep. 1993—vol. 4 Issue 9," *Smart Computing*, 3 pages, Copyright © 2006.
- Imielinski, T., et al., "Mobile Wireless Computing: Solutions and Challenges in Data Management," Dept. of Computer Science, Rutgers University, 38 pages, document undated.
- Sheng, S., "A Portable Multimedia Terminal for Personal Communications," *IEEE Communication Magazine*, Jun. 22, 1992.
- Summons to attend oral proceedings pursuant to Rule 71(1) EPC, 1 page, and Minutes (Annex), 17 pages, EPO, both dated Apr. 18, 2007.
- Docket sheet, Documents for application No. 94927728, EPO, 8 pages, dated May 8, 2007.
- Docket sheet, Documents for application No. 98200196, EPO, 7 pages, dated May 8, 2007.
- Communication/Minutes, in EPO, 1 page, dated Jul. 18, 2006.
- Complaint for Declaratory Judgment of Patent Non-Infringement and Invalidity against Dataquill BVI, Ltd, 4 pages, May 31, 2006.
- Appendix in Support filed by Dataquill BVI, Ltd re Motion to Dismiss for Lack of Jurisdiction, vol. 2 of 2 (not under seal), cover, pp. 76-134, Aug. 15, 2006.
- Motion for Leave to File First Amended Complaint by Research in Motion Limited, Research in Motion Corporation with Brief in Support, pp. 1-7, Nov. 21, 2006.
- Response filed by Dataquill BVI, Ltd re Motion for Leave to File First Amended Complaint, 6 pages, Dec. 18, 2006.
- Reply Brief filed by Research in Motion Limited, Research in Motion Corporation re Motion for Leave to File First Amended Complaint, 7 pages, Jan. 2, 2007.
- Joint Status and Scheduling Conference Report by Research in Motion Limited, Research in Motion Corporation, 7 pages, entered: Jan. 4, 2007.
- Scheduling Order, 5 pages, Jan. 11, 2007: amended Order, 1 page, entered: Mar. 22, 2007; Amended Scheduling Order, 2 pages, entered: Apr. 6, 2007.
- Order denying Motion to Dismiss for Lack of Jurisdiction; granting Motion for Leave to File. See order for other specifics, 17 pages, entered: Mar. 28, 2007.
- Amended Complaint against Dataquill BVI, Ltd filed by Research in Motion Limited, 6 pages, entered: Apr. 13, 2007.
- Dataquill's Answer to Amended Complaint by Dataquill BVI, Ltd, Counterclaim against Research in Motion Limited, Research in Motion Corporation, 6 pages, entered: Apr. 24, 2007.
- Answer to Counterclaim by Research in Motion Limited, Research in Motion Corporation, 6 pages, entered May 11, 2007.
- DataQuill Rule 26(a) Initial Disclosure, 4 pages, dated Apr. 26, 2007.
- Email, RIM's terms to be constructed, 2 pages, dated May 11, 2007.
- Docket report *RIM Limited et al. v. DataQuill Ltd.*, 4 pages, dated May 17, 2007.
- LRT 3800 Laser Radio Terminal, Symbol Technologies, Inc., 2 pages. SBLP164193-194, Mar. 1991.
- "Newton A Step toward the Future," *Macworld*, pp. 129-131. Aug. 1992.
- "Motorola and DataQuill Joint Statement," Motorola, Inc./DataQuill, 1 page, Jun. 9, 2006.
- "HP and DataQuill Joint Statement," Hewlett-Packard Co./DataQuill, p. 11, 1 page, Sep. 14, 2006.
- "Approved Statement," approved by LG Electronics/DataQuill, p. 6, 1 page, Jan. 1, 2007.
- Judgment, *DataQuill v. Handspring, Inc.*, docketed Nov. 12, 2004, 2 pages.
- Stipulation and Order, *DataQuill v. Handspring, Inc.*, docketed Nov. 12, 2004, 2 pages.
- Stipulation for Dismissal with Prejudice and Order thereon, entered Apr. 26, 2006, 2 pages.
- Complaint for Patent Infringement, *DataQuill v. Nokia*, dated Jun. 8, 2007, 3 pages.
- Docket report *DataQuill v. Novatel Wireless Inc.*, 2 pages, dated Jun. 12, 2007.
- Email, RIIM proposed claim construction, Jun. 11, 2007, 26 pages.
- RIM's Brief on Construction of Claims of U.S. Patent Nos. 6,058,304 and 7,139,591. RIM, 46 pages, dated Jul. 26, 2007.
- Declaration of Peter J. Chassman in Support of RIM's Brief on Construction of Claims of U.S. Patent Nos. 6,058,304 and 7,139,591, 3 pages and Exhibits 3, 4, 5 and 6 dated Jul. 26, 2007.
- Pending Claim Construction Chart, RIM, 61 pages, dated Jul. 26, 2007.
- Emails from RIM trial counsel forwarding claim construction items (including documents K7, K8, K9), RIM, 3 pages, dated Jul. 26, 2007.
- Emails from DataQuill trial counsel responding to RIM trial counsel relating to claim construction, 7 pages, dated Jun. 26, 2007.
- RIM's (Amended) Opening Brief on Construction of Claims of U.S. Patent Nos. 6,058,304 and 7,139,591, 50 pages, dated Aug. 29, 2007.
- Amended Pending Claim Construction Chart, RIM, 60 pages, dated Aug. 29, 2007.
- DataQuill's Claim Construction Brief, 48 pages, Sep. 11, 2007.
- Declaration of G. Smith in support of DQ Claim Construction Brief, 2 pages, Sep. 11, 2007.
- Exhibits 1, 2, 3, 4, 5, 6, 7, 8, 9, 10, 11, 12, of G. Smith Declaration, 95 pages, Sep. 11, 2007.
- Amended Pending Claim Construction Chart, DataQuill, 102 pages, Sep. 11, 2007.
- DataQuill Response to Plaintiffs First Set of Interrogatories (Nos. 1-6), 29 pages, and Exhibit A, 35 pages, Sep. 20, 2007.
- Emails between RIM and DQ trial counsel re L1, L2, L3, L4, L5, L6, L7, 5 pages.
- RIM's Claim Construction Reply Brief, 13 pages, Oct. 2, 2007.

- RIM and DataQuill Joint Claim Construction Chart, 97 pages, Oct. 2, 2007.
- Letter re European Patent No. 0840248 for Oral Proceedings on Nov. 14, 2007 with attached claims, DataQuill, dated Oct. 12, 2007, 26 pages.
- Letter re European Patent No. 0840248 for Oral Proceedings held with attached acknowledgement of receipt, DataQuill, dated Nov. 21, 2007, 3 pages.
- “Joint Statement” of Samsung Electronics Co. Ltd. and DataQuill Rushside Ltd., Attachment A to patent license agreement between companies, Samsung/DataQuill Rushside, 1 page, dated Jan. 9, 2007.
- Rim’s Redesignated Responses to Dataquill’s First Set of Interrogatories (Nos. 1-12), original has only pp. 1-3, 11-22, 31-32, AEO pages omitted, 17 pages, dated Jan. 9, 2008.
- Joint Claim Construction Chart for U.S. Patent No. 6,058,304, *DataQuill Ltd. v. Kyocera Wireless Corp.*, No. 01 CV2302B (BLM) (S.D. Cal.), 3 cover pgs., pp. 1-79, dated Apr. 28, 2005.
- DataQuill’s Response to RIm’s Motion for “Prosecution Bar” in Protective Order, *Rim v. DataQuill Ltd.*, pp. 1-18, and Exhibit 1 [litigation] Declaration of Smith, Exhibit 2 [litigation] Declaration of Donnelly, dated Oct. 4, 2007.
- Order addressing motion for protective order, *Rim v. DataQuill Ltd.*, No. 06 CV 0973-N (N.D. Tex.), pp. 1-4, filed Jan. 17, 2008.
- “Published Unexamined Application 1994-105457”, Rim, purported English translation, Bates Nos. RIMDQ0058787-811.
- Collection of EURO-LOG documents, European Logistics Communication Services, Bates Nos. RIMDQ0055493-498, source/country unknown, documents undated.
- Forman & Zahorjan, “Computing Milieux, The Challenge of Mobile Computing”, IEEE [no vol. no.], © 1994, Bates Nos. RIMDQ0057331-340.
- “BellSouth, IBM unveil personal communicator phone Mobile Phone News, Nov. 8, 1993”, [http://www.looksmartphones.com/p/articles/mi\\_m3457/is\\_n43\\_v11/ai\\_...](http://www.looksmartphones.com/p/articles/mi_m3457/is_n43_v11/ai_...), pp. 1, 2, Bates Nos. RIMDQ0057550-0057551.
- “IBM plans to ship Simon put on hold for time being—hand-help personal communicator Mobile Phone News, Apr. 4, 1994”, [http://www.findarticles.com/p/mi\\_m3457/is\\_n14\\_v12/ai\\_14973288](http://www.findarticles.com/p/mi_m3457/is_n14_v12/ai_14973288), pp. 1, 2, Bates No. RIMDQ0057552-0057553, FindArticles, © 2006.
- “BellSouth puts Simon on the shelves; personal communicator five months late—BellSouth Cellular Corp—Product Announcement Mobile Phone News, Aug. 22, 1994”, [http://www.findarticles.com/p/articles/mi\\_m3457/is\\_n14\\_v12/ai\\_15770310](http://www.findarticles.com/p/articles/mi_m3457/is_n14_v12/ai_15770310), pp. 1, 2, Bates No. RIMDQ0057569-0057570, Gale Group, Copyright 2004.
- “Simonizing the PDA Dec. 1994/ Reviews/ Simonizing the PDA BellSouth’s communicative Simon is a milestone in the evolution of the PDA”, <http://www.byte.com/art/9412/sec11/art3.htm>, pp. 1, 2, Bates No. RIMDQ0057571-0057574, CMP Media LLC, © 2005.
- Skopp and Kaiser, “Disconnected Operation in a Multi-User Software Environment”, Columbia University Department of Computer Science, Bates Nos. RIMDQ0058940-0058947, dated Aug. 1993.
- Skopp, —MS Thesis Proposal—“Process Centered Software Development of Mobile Hosts”, Department of Computer Science Columbia University, Bates Nos. RIMDQ58948-0058970, dated Oct. 11, 1993.
- Baecker, Nastos, Posner, Mawby, “The User-centered Iterative Design of Collaborative Writing Software”, ACM, Bates Nos. RIMDQ0059088-0059095, © 1993.
- Ellis and Gibbs, “Concurrency Control in Groupware Systems”, ACM, Bates Nos. RIMDQ0059096-0059104, © 1989.
- Greenberg and Marwood, “Real Time Groupware as a Distributed System: Concurrency Control”, ACM Press, Bates Nos. RIMDQ0059105-0059116, Proceedings of the ACM CSCW Conference on Computer Supported Cooperative Work, North Carolina, dated Oct. 22-26, 1994.
- Sohlenkamp and Chwelos, “Integrating Communication, Cooperation, and Awareness: The DIVA Virtual Office Environment”, ACM, Bates Nos. RIMDQ0059117-0059129, CSCW 94-Oct. 1994, NC [North Carolina], dated “Oct. 1994”, © 1994.
- Walker, Popek, English, Kline, Thiel, “The LOCUS Distributed Operating System”, ACM, Bates Nos. RIMDQ0059165-0059186, © 1983.
- Huston, Honeyman, “Disconnected Operation for AFS”, CITI Technical Report 93-3, Bates Nos. RIMDQ0059187-0059196, dated Jun. 19, 1993.
- Satyanarayanan, Kistler, Kumar, Okasaki, Siegel, Steere, “Coda: A Highly Available File System for a Distributed Workstation Environment”, IEEE Transactions on Computers, vol. 39, No. 4, Apr. 1990, pp. 447-459, Bates Nos. RIMDQ0059197-0059209, © 1990.
- Satyanarayanan, “Coda: A Highly Available File System for a Distributed Workstation Environment”, cover, pp. 1-3, i, Bates Nos. RIMDQ0059210-0059214, document undated.
- Satyanarayanan, “Scalable, Secure, and Highly Available Distributed File Access”, IEEE, pp. 9-20, end page, Bates Nos. RIMDQ0059215-0059226, dated May 1990, © 1990.
- Kistler and Satyanarayanan, “Disconnected Operation in the Coda File System”, ACM Transactions on Computer Systems, vol. 10, No. 1, Feb. 1992, pp. 3-25, Bates Nos. RIMDQ0059227-0059249, © 1992.
- Kistler, “Disconnected Operation in a Distributed File System”, *Submitted in partial fulfillment of the requirements for the degree of Doctor of Philosophy*, Bates Nos. RIMDQ0059432-0059699, Carnegie Mellon University, dated May 1993.
- VTT PrintAccess matrix code reader status, Bates Nos. RIMDQ0059765, VTT © 2006.
- VTT PrintAccess PrintAccess matrix code reader software, Bates Nos. RIMDQ0059766, VTT © 2006.
- “Territorial Contron”, Teklogix, Bates Nos. RIMDQ0057909-912, document undated.
- “Tekscan 7015 ‘Portable’ Terminal”, Teklogix, Inc., Bates Nos. RIMDQ0057913-914, © 1988.
- “Tescan 9011 ‘MiniBase’ radio link controller”, Teklogix, Inc., Bates Nos. RIMDQ0057915-916, © 1989.
- Warehousing 89, Material Handling Engineering, Bates Nos. RIMDQ0057917-920, © 1989.
- Tekscan 8030 Series mobile “Vehicle-mounted” terminal, Teklogix, Inc., Bates Nos. RIMDQ0057921-924, © 1989.
- Mobile Wireless Computing: Solutions and Challenges in Data Management, <http://citeseer.ist.psu.edu/imielenki93mobile.html>, 3 pages, dated Dec. 18, 2006.
- “Vannevar Bush—As we may think—The Atlantic Monthly, Jul. 1945”, [duchier@ps.uni-sb.de](mailto:duchier@ps.uni-sb.de), Bates Nos. RIMDQ0072616-634, printout undated.
- J. Arnold, “France’s Minitel: 20 years young”, <http://news.bbc.co.uk/2/hi/business/3012769.stm>, Bates Nos. RIMDQ0072635-638, May 14, 2003.
- J. Birnbaum, “Toward the domestication of microelectronics”, Communications of the ACM, vol. 28, No. 11, pp. 1225-1235, Bates Nos. RIMDQ0072639-649, © 1985.
- “Sharp PC-6220. (notebook computer)(evaluation) Compute! Issue 133/ Sep. 1991/ p. 45”, Bates Nos. RIMDQ0072660-662, printout undated.
- “RIM History”, [www.rim.com](http://www.rim.com), pp. 1-7, Bates Nos. RIMDQ0072665-671, Research in Motion Limited, © 2004, printout undated.
- “Motorola adds Newton technology to mobile data repertoire—Apple Computer Inc Mobile Phone News, Apr. 12, 1983”, [http://www.looksmartphones.com/p/articles/mi\\_m3457/is\\_n14\\_v11/ai\\_...](http://www.looksmartphones.com/p/articles/mi_m3457/is_n14_v11/ai_...), pp. 1, 2, Bates Nos. RIMDQ007262-673, Gale Group, Copyright 2004, printout undated.
- “First-generation PDAs’ options, prices and marketing approaches differ—personal digital assistants Mobile Phone News, Aug. 30, 1993”, [http://www.looksmartphones.com/p/articles/mi\\_m3457/is\\_n14\\_v11/ai\\_...](http://www.looksmartphones.com/p/articles/mi_m3457/is_n14_v11/ai_...), pp. 1, 2, Bates Nos. RIMDQ0072674-0072675, Copyright PBI Media 1993, Gale Group, Copyright 2004, printout undated.
- “Plugged in Sep. 1993 vol. 4 Issue 9 PDAs The newest assistants for a mobile society”, <http://www.smartcomputing.com/editorial/article.asp?article=articles/19...>, pp. 1 to 4, Bates Nos. RIMDQ0072680-683, Sandhills Publishing Company U.S.A., © 2006, printout undated.
- “MobileMath quick reference The newton math assistant”, Bates Nos. RIMDQ 0072847-848, MobileSoft Corporation, © 1993.
- “Newton fax modem handbook”, Bates Nos. RIMDQ0072849-864, Apple Computer, Inc., © 1993.

- C. Lu, "A small revolution Newton has arrived at long last", *Macworld*, pp. 102-105, Sep. 1993, Bates Nos. RIMDQ0081338-341.
- S. Loken, "Information technology resources assessment", Information and Computing Science Division Lawrence Berkley Laboratory, Bates Nos. RIMDQ0081349-415, Jan. 1993.
- C. Barr, "Pen PCs", *PC Magazine*, Nov. 10, 1992, pp. 175-203, Bates Nos. RIMDQ0081416-433.
- Duchamp, Feiner, Maguire, "Software technology for wireless mobile computing", *IEEE Network Magazine*, Nov. 1991, pp. 12-18, Bates Nos. RIMDQ0081434-440, © 1991.
- E. Torgan, "New & improved", *PC Magazine*, May 12, 1992, p. 59, Bates No. RIMDQ0082406.
- M. Soviero, "Your world according to Newton", *Popular Science*, Sep. 1992, pp. 45-49, Bates Nos. RIMDQ0082407-411.
- "The PC gets more personal", *Byte*, Jul. 1992, pp. 128-138, Bates Nos. RIMDQ0082412-421.
- "Grid systems releases the palmpad wearable pen computer Mar. 23, 1992 From Issue No. 1886", [http://www.cbronline.com/article\\_cg\\_print.asp?guid=AA91FF24-97...](http://www.cbronline.com/article_cg_print.asp?guid=AA91FF24-97...), Bates No. RIMDQ0082422, *Computer Business Review & CBRonline.com*, © 2007, printout Jun. 12, 2007.
- "Novice notes Each month Jul. 1992 vol. 3 Issue 7", <http://www.smartcomputing.com/editorial/article.asp?article=articles...>, pp. 1, 2, Bates Nos. RIMDQ0082423-424, printout Jun. 12, 2007.
- "Grid dresses up pen computer—Grid systems corp.'s PalmPAD—Product announcement", [http://findarticles.com/p/articles/mi\\_m0NEW/is\\_1992\\_March\\_20/ai...](http://findarticles.com/p/articles/mi_m0NEW/is_1992_March_20/ai...), p. 1, 2, Bates Nos. RIMDQ0082425-426, Findarticles, Copyright 2007, printout Jun. 12, 2007.
- M. Weiser, "Computer for the 21st century", *Mobile Computing and Communication Review*, vol. 3, No. 3, pp. 3-11, Bates Nos. RIMDQ0082427-435, Copyright 1991.
- "DynoNotePad", Bates Nos. RIMDQ0082801-813, Portfolio Software, Inc., © 1994, cover pages, pp. 1-20.
- "MessagePad handbook", Bates Nos. RIMDQ0082614-931, Apple Computer, Inc., © 1993, cover pages, pp. 1-223, end pages.
- "MessagePad setup guide", Bates Nos. RIMDQ0082932-949, Apple Computer, Inc., © 1993, cover pages, pp. 1-26.
- "Newton connection kit for Macintosh user's guide", Bates Nos. RIMDQ0082950-029, Apple Computer, Inc., © 1993, cover pages, pp. 1-71, end pages.
- Sheng, Chandrakasan, Brodersen, "A portable multimedia terminal", *IEEE Communications Magazine*, Dec. 1992, pp. 64-75, Bates Nos. RIMDQ0082394-405, IEEE, © 1992.
- Mel, Omohundro, Robison, Skiena, Thearling, Young, Wolfram, "Tablet: Personal computer in the year 2000", *ACM*, vol. 31, No. 6, pp. 639-646, Bates Nos. RIMDQ0072651-658, © 1988.
- Decision in Opposition (3 pgs.), Provision of minutes (2 pages), Minutes of the Oral Proceedings and Annex (cover, pp. 1-6, 7, 7-12, conclusion pg., 3 annex pgs.), Grounds for the Decision (pp. 1-27, 28, 28-31, 32, 32-34), Druckexemplar (25 pgs.), Annex (6 pgs.), Opposition Division European Patent Office, and notations, dated Feb. 7, 2008.
- Deposition transcript (minuscrit) of Garry D. Robb, *Dataquill v. Handspring*, Case No. 01C 4635, pp. 1 to 299, dated May 31, 2002.
- Imielinski, T., et al., "Mobile Wireless Computing: Solutions and Challenges in Data Management," Rutgers University, Jan. 1993, report cover page with business card, report cover page, title page, pp. 1-37, back cover page.
- Imielinski, T., et al., "Mobile Wireless Computing: Solutions and Challenges in Data Management," Rutgers University, Jan. 1993, RIMDQ 08325-73, and 1 page sheet RIMDQ 08374, produced by Rim with RIMDQ 08325-73.
- Applicant, Garry D. Robb, Contents of U.S. Appl. No. 09/101,790 ("the 790 application"), Part (1) of (2) Part(s) and Part (2) of (2) Part(s) for U.S. pat. No. 6,177,950 (Robb) (document C1), RIMDQ 087584-88407.
- "AT&T EO Personal Communicator The Digital Nomad's Guide," copyright © 1993, RIMDQ 083275-551, see also document C67.
- "The Official Guide to the Prodigy Service," © 1991, RIMDQ 084125-526, see also document C142.
- US pat. No. 5,902,988, RIMDQ 087353-564.
- Content of U.S. Appl. No. 08/268,806 (re U.S. pat. No. 5,594,470), Part (1) of (2) Part(s) and Part (2) of (2) Part(s), Bates Nos. RIMDQ0089060-494.
- File history of U.S. pat. No. 5,537,608 (see document C2), Bates Nos. RIMDQ0089495-979.
- "Teklogix 32 Bit Terminal User Manual," copyright 1993, Teklogix Inc., Missisauga, Ont., Bates Nos. RIMDQ0089999-90118.
- "7000 series Teklogix," RIMDQ 0090119-124.
- Stieglitz, "Industry Dynamics and Types of Market Convergence," First Draft, dated May 9, 2002, Bates Nos. RIMDQ0091160-200.
- Company documents, Winfair Systems, 1992 and later, RIMDQ 0097194-234.
- "Special Report, Your Electronic Future," *Newsweek*, Jun. 6, 1994, DQ01829-86.
- "Approved Statement," approved by Nokia Corp./DataQuill, p. 8, 1 page, dated Feb. 19, 2008.
- Stipulation of Dismissal; Order of Dismissal, *DataQuill Ltd. v. Nokia Corp.* (S.D. Cal.), dated Apr. 4 and 9, 2008.
- Plaintiff's Opposed Motion for Leave to File a Second Amended Complaint and Brief in Support (proposing allegations regarding document C1 and O91), *Rim v. DataQuill Ltd.*, 24 pages, dated Apr. 17, 2008.
- Second Amended Complaint for Declaratory Judgment of Patent Non-infringement, Invalidity, and Unenforceability, *Rim v. DataQuill Ltd.*, pp. 1-21, dated Apr. 17, 2008.
- Complaint, *DataQuill Ltd. v. High Tech Computer Corp.* (S.D. Cal.), 5 pages, dated Mar. 24, 2008.
- Office action regarding U.S. pat. No. 6,058,304 in Control No. 90/008,340, 36 pages, dated Apr. 1, 2008.
- Office action regarding U.S. pat. No. 7,139,591 in Control No. 90/008,394, 23 pages, dated Apr. 1, 2008.
- Office action in U.S. Appl. No. 11/515,152, 5 pages, dated Nov. 9, 2007.
- Letter to R. Thonnes re Invoice to: Dataquill Limited, dated Aug. 15, 1995, Bates No. GR0001.
- Letter to G. Robb from Dr K. D.R. Winton, UnivEd Technologies, dated Jun. 25, 1991, Bates No. GR0002.
- Letter to G. Robb from Roland, University of Edinburg, dated Jul. 3, 1992, Bates No. GR0003.
- Communication from UK patent office to Dataquill re GB 2 202 664, dated Nov. 12, 1993, Bates No. GR0004.
- Communication from UK patent office to Dataquill re GB 2 202 664, dated Nov. 16, 1993, Bates No. GR0005.
- Chassman letter to *Smith, Rim v. DataQuill Ltd.*, 5 pages, dated Jun. 24, 2008.
- S. Alagar et al., Tolerating Mobile Support Station Failures, pp. 1-12, RIMDQ 0109788-109799, undated.
- Citeseer search, 2 pages, RIMDQ 0109800-109801, undated.
- B. Badrinath, Impact of Mobility on Distributed Computations, *Operating Systems Review*, 8 pages, RIMDQ 0107344-107351, Apr. 1993.
- Index of Technical Reports, produced by Rim, RIMDQ 0109802-109825, pp. 1 to 24, dated Jun. 11, 2008.
- "Scan Tech UK, NEC Birmingham, Jun. 16-18, 1992, Conference Proceedings, A,"; R. Long, "The Use of Issue-Specific Bar Codes for Sortation of Magazine, Periodical and Newspaper Returns," Solent News Distributors Ltd, document undated; M. Hardy, "Case Study 1: UK's First Port Control Radio Data Transmission System in Dock Straddle Carriers," Belgravium Ltd, Bates Nos. RIMDQ 0098145-146, document undated, Bates Nos. RIMDQ 0098142-151.
- "Scan Tech UK, NEC Birmingham, Jun. 16-18, 1992, Conference Proceedings, B,"; S. Blackmore, "Portable Data Collection: A Strategic Technology," Symlex, document undated; C. Williets, "Portable Data Collection-Trends and Developments in Processing and Computer Products," Mars Electronics International, document undated; B. Inall, "Data Entry Options for Portable Computers," IBS Radix, document undated; J. Dover, "Communications Options for Portable Data Capture Units," Symbol Technologies UK Ltd, document undated; R. Crabtree, "Portable Data Capture—Applications Opportunities," Kings Town Photocodes Ltd, document undated; Bates Nos. RIMDQ 0098152-165.
- "Scan Tech UK, NEC Birmingham, Jun. 16-18, 1992, Conference Proceedings, E," document undated; R. Evans, "The Supplementary Coding Standards," ANA, document undated; J. Critoph, "EAN-128, Production and Scanning," Symbol Technologies, document undated; W. Satterthwaite, "Pallet Labels and Supplementary Coding," Pedigree Petfoods/Mars Group, document undated; Bates Nos. RIMDQ 0098166-196.
- "Scan Tech UK, NEC Birmingham, Jun. 16-18, 1992, Conference Proceedings, F"; T. Hankins and M. Brittain, "Software Tools for



- 'Fastrak' Implementaion of Automatic Data Capture Using Portable Terminals," Alpha-Numeric Systems Plc, document undated; D. Peacock, "PDC in British Gas PLC North Eastern Warehousing," British Gas Plc North Eastern, document undated; J. Keegan, "Total Supply Chain Management Within Health Care Supplies," Health Care Supplies, document undated; Bates Nos. RIMDQ 0098197-204.
- "Scan Tech UK, NEC Birmingham, Jun. 16-18, 1992, Conference Proceedins, G"; A. Scorer, "Wide Area Data Capture with Particular Emphasis on the Temperature-Controlled Distribution Sector," Securicor Datatrak Ltd, document undated; "EDI in Distribution and Transport," document undated; P. Whitlock, "Delivering Solutions for Parcels Delivery," Securicor Omega Express Ltd, document undated; "Video Case Study: Down the Line Bar Coding in the Supply Chain," document undated; Bates Nos. RIMDQ 0098205-222.
- "Scan Tech UK, NEC Birmingham, Jun. 16-18, 1992, Conference Proceedings, I"; S. Jackson, "Inductive Identification System," Pepperl & Fuchs Ltd, document undated; P. Kibler, "Chips with Everything—The Datatag System," Yamaha, document undated; B. Williams, "RFID: The Issue is Standardisation," The Enterprise Consultancy, document undated; W. Holland, "Capture Data and Thieves with R.F.I.D.," Smart Tag Systems, Inc., document undated; Bates Nos. RIMDQ 0098223-236.
- "Scan Tech UK, NEC Birmingham, Jun. 16-18, 1992, Conference Proceedings, K"; M. Hiscox, "Radio Frequency Data Communications (RFDC)," Lex Industrial Systems Ltd, document undated; J. Bental, "Mobile Data in Automatic Identification," RAM Mobile Data Ltd, document undated; S. Kerry, "Vendor Selection and Project Management-Radio Frequency Data Communications," Symbol Technologies Europe, document undated; J. Tipping, "RF/DC in Action," Process Computing Ltd, document undated; Bates Nos. RIMDQ 0098237-252.
- "Scan Tech UK, NEC Birmingham, Jun. 16-18, 1992, Conference Proceedings, M"; J. Trueman, "The Use of Bar Coding Within W. H. Smith Ltd," W H Smith Ltd, document undated; M. Gathercole, "Warehouse Efficiency Gains from Bar Code Technology," Tiptree Book Services, document undated; R. Webber, "Getting It Right," Oxford University Press, document undated; B. Parratt, "PDF 417 in the Book Trade," Penguin Books, document undated; Bates Nos. RIMDQ 00980253-261.
- "Scan Tech UK, NEC Birmingham, Jun. 16-18, 1992, Conference Proceedings, N"; A. Furness, "Technological Change and Emergent Opportunities in Automatic Identification," Electronic Engineering Group, document undated; R. Noyau, "High Coercivity Magnetic Stripe Cards," Electronic Engineering Group, document undated; N. Weston, "Managing New Technology," Strategic Renewal Group, document undated; D. O'Dea, "The Dotcode—An Alternative Identification System," Electronic Automation Ltd, document undated; S. Hancock, "A Neural Network System: Applications in Pattern Recognition," Neural Technologies Limited, document undated; Bates Nos. RIMDQ 0098262-281.
- "Scan Tech UK, NEC Birmingham, Jun. 16-18, 1992, Conference Proceedings, O"; T. Dunn, "Bureau Services in Relation to Auto ID," ESP Security Print, document undated; B. Levin, "Quality Improvements in Industrial Ink Jet Bar Coding," Elmjet Limited, document undated; A. Walter, "Guidelines for Effective Implementation of Label-Based Auto ID Systems," Avery Dennison, document undated; D. Jones, "P.S.A. Protecting Your Investment," Printronix (UK), document undated; G. Cunningham, "Anti-Counterfeiting System Developed by Stampiton Microtrace," Stampiton Microtrace, document undated; P. Manser, "Patient Case Notes: A Suitable Case for Treatment," Royal Brompton National Heart and Lung Hospitals SHA, document undated; Bates Nos. RIMDQ 0098282-296.
- "IBM 9075 PCRadio, A rugged handheld system for wireless communications and control," International Business Machines, copyright 1992, Bates Nos. RIMDQ 0098297-300.
- "IBM Canada Sells Wireless Data Network to Bell-Ardis: Announces Availability of New PCRadio, Montreal, Feb. 4, 1992," Bates No. RIMDQ 0098301.
- U.S. Appl. No. 07/849,771 (re U.S. pat. No. 5,414,251), Bates Nos. RIMDQ 0100884-965.
- U.S. Appl. No. 08/284,883 (re U.S. pat. No. 5,414,251), Bates Nos. RIMDQ 0100966-0101004.
- U.S. Appl. No. 08/703,564, Bates Nos. RIMDQ 0101005-181.
- U.S. Appl. No. 07/338,156 (re U.S. Patent No. 5,347,632), RIMDQ 0101204-2130.
- U.S. Appl. No. 07/991,015 (re U.S. Patent No. 5,465,401), Bates Nos. RIMDQ 0102131-275.
- U.S. Appl. No. 07/213,931, Bates Nos. RIMDQ 0102393-490.
- U.S. Appl. No. 07/328,790, Bates Nos. RIMDQ 0102491-3028.
- U.S. Appl. No. 07/976,127, Bates Nos. RIMDQ 0103029-157.
- Documents re Canadian Patent No. 2 243 244 (Robb), Bates Nos. RIMDQ 0103370-419.
- GB 2 282 906 B, dated Nov. 6, 1996, UK, Bates Nos. RIMDQ 0103452-0103453.
- GB 2 282 907 B, dated Feb. 28, 1996, UK, Bates Nos. RIMDQ 0103453-0103497.
- A. Alber, "Interactive Computer Systems, Videotex and Multimedia," Plenum Press, copyright 1993, public version, Bates Nos. RIMDQ 0103511-952.
- "TMS320C4x User's Guide, 1991 Digital Signal Processing Products," Texas Instrutments Incorporated, copyright 1991, Bates Nos. RIMDQ 0103952-4816-4817.
- Cover and table of contents of Industrial Engineering magazine, Institute of Industrial Engineers, copyright 1992, T. Miller, "More than just listening to the customer, Industrial Engineering, Jan. 1992," Bates Nos. RIMDQ 0106379-82.
- Cover and table of contents of Controls & Systems magazine, Penton Publishing Inc., copyright 1991, R. Eckles, "Move data fast with RF data communication, Controls & Systems, Jun. 1992," Bates Nos. RIMDQ 0106383-387.
- Cover and table of contents of Quality Progress magazine, American Society for Quality Control, Inc., copyright 1993, K. Wacker, "Uncommon common sense, Quality Progress, Jul. 1993," pp. 97-98, 100, "The Role of the forecasting TQC team, Quality Progress, Jul. 1993," p. 99, Bates Nos. RIMDQ 0106388-93.
- "Intel Product Guide", Intel Corporation, copyright 1989, public version, Bates Nos. RIMDQ 0107116-294.
- Cover and table of contents of Operating Systems Review magazine, Association for Computing Machinery Special Interest Group on Operating Systems, document dated Apr. 1993, Badrinath et al., "Impact of mobility on distributed computations," document undated, Bates Nos. RIMDQ 0107344-351.
- Abandoned U.S. Appl. No. 08/111,531 (see document C227), Bates Nos. RIMDQ 0107352-426.
- "CCD The Solid State Imaging Technology," Fairchild USA CCD Division, copyright 1981, Bates Nos. RIMDQ 0107440-603.
- U.S. Appl. No. 08/703,564 (re U.S. pat. No. 5,821,423; see document O76), Bates Nos. RIMDQ 0107604-8066.
- "Scan Tech UK, NEC Birmingham, Jun. 16-18, 1992, Conference Proceedings, D"; H. Bendell, "Production Control," S B Electronic Systems Limited, document undated; S. Greasley, "Tough Environments—Tougher Bar Codes," RM Scantag, document undated; G. Hammond, "Business Excellence: Issues Not Acronyms," MRP Ltd, document undated; K. Ridgway, "The Use of Auto Identification in a Manufacturing Environment," Department of Mechanical and Process Engineering, document undated; J. Plimmer, "Quality Improvements in W.I.P. Information," Kenrick & Jefferson, document undated; Bates No. RIMDQ 0108233-246.
- "Scan Tech UK, NEC Birmingham, Jun. 16-18, 1992, Conference Proceedings, L"; Bates No. RIMDQ 0108247-257.
- "Scan Tech UK, NEC Birmingham, Jun. 16-18, 1992, Conference Proceedings, H"; P. Chartier, "The Integration of Bar Coding and EDI," Praxis Consultants, document undated; P. Barbier, "Odette and EDI," BPCC Numeric Arts Ltd, document undated; Bates No. RIMDQ 0108258-273.
- Number not used.
- "Advanced Micro Devices, Flash Memory Products 1992/1993 Data Book/Handbook," copyright 1992, Bates Nos. RIMDQ 0108461-9008.
- Litigation declaration of Alec Tait, dated Apr. 26, 2008, Bates Nos. RIMDQ 0109776-787 (includes Bates Nos. AJT001-007).
- The Herald, Scotland, Aug. 25, 1992, Bates Nos. RIMDQ 0083030-75.
- C.J. Date, "An Introduction to Database Systems", excerpts, Copyright 1977, Bates Nos. RIMDQ 110694-751.

- Order, re claims construction, U.S. pat. Nos. 6,058,304 and 7,139,591, 23 pages, dated Aug. 14, 2008.
- Order, re Joint Motion to Stay Case Pending Alternate Dispute Resolution Proceedings, dated Aug. 29, 2008 (2 pgs.).
- Stipulation and Order of Dismissal (4 pgs.) and Order of Dismissal with Prejudice (1 pg.).
- U.S. District Court Northern District Texas (Dallas) Civil Docket for Case #:3:06-cv-00973-N (9 pgs.).
- Particulars of Claim between HTC Corporation and Dataquill Limited, Claim No. HC 09 C 00466, lodged at Court on Feb. 16, 2009 (13 pgs.).
- Answer, Affirmative Defenses and Counterclaim, *DataQuill Ltd. v. High Tech Computer Corp.* (S.D. Cal.), 24 pages, dated Dec. 8, 2008.
- Notice of allowance in U.S. Appl. No. 11/515,152, e.g., discussing terminal disclaimer, argument and amendments of applicants, 6 pages, mailed Sep. 8, 2008.
- Supp. Notice of allowance in U.S. Appl. No. 11/515,152, 2 pages, mailed Nov. 17, 2008.
- Supp. Notice of allowance in U.S. Appl. No. 11/515,152, 2 pages, mailed Dec. 12, 2008.
- DataQuill's Reply to Counterclaims, *DataQuill Ltd. v. High Tech Computer Corp.* (S.D. Cal.), 13 pages, dated, Mar. 30, 2009.
- Office action in ex parte reexamination, in control No. 90/008,394, cover, cover pages plus 38 pages, mailed Feb. 2, 2009.
- Docket report *DataQuill Ltd. v. HTC*, 6 pages, dated Jun. 2, 2008.
- Updated docket report *RIM Limited et al. v. DataQuill Ltd.*, 15 pages, dated Jun. 2, 2008.
- Request for *Ex Parte* Reexamination of U.S. Patent No. 7,505,785 Under 35 U.S.C. §§ 302-307 and 37 C.F.R. § 1.510, 113 pages, filed May 26, 2009, undated.
- EO 440, <http://www.utexas.edu/ftp/microlib/eo/html/EO440-880.html>, dated Jul. 10, 2009, 3 pages.
- L. Brust et al., "Mixing Signals & Voltages on Chip", *IEEE Spectrum*, dated Aug. 1993, 4 pages, pp. 40-43.
- "Cellular helps make EO's pen-based personal communication mobile", *Mobile Phone News*, Nov. 16, 1992, [http://findarticles.com/p/articles/mi\\_m3457/is\\_n23\\_v10/ai\\_12914374/](http://findarticles.com/p/articles/mi_m3457/is_n23_v10/ai_12914374/), dated Jul. 10, 2000, 2 pages.
- J. Kaplan, "Startup—A Silicon Valley Adventure", Penguin Group, © 1994, undated, 4 pages, cover, unnumbered page, pp. 251, 260.
- S. Omer, Aug. 2, 1993, "Science: A little reminder in your pocket", *The Independent*, <http://license.icopyright.net/user/viewFreeUse.act?fuid=NTI0MTI0Mg%3D%3D>, dated Jul. 10, 2009, 2 pages.
- Lovell's cover letter, attached Re-Re-Amended Grounds between HTC Corporation and Dataquill Limited, Claim No. HC 09 C 00466 (in UK), 27 pages, dated Oct. 29, 2009.
- TaylorWessing cover letter, attached marked-up draft order re HTC Corporation and Dataquill Limited, Claim No. HC 09 C 00466 (in UK), 6 pages, dated Oct. 7, 2009.
- Lovell's cover letter, attached Re-Amended Grounds between HTC Corporation and Dataquill Limited, Claim No. HC 09 C 00466 (in UK), 16 pages, Oct. 5, 2009.
- Lovell's cover letter, attached Amended Grounds between HTC Corporation and Dataquill Limited, Claim No. HC 09 C 00466 (in UK), 13 pages, dated Aug. 10, 2009.
- Lovell's letter, dated Sep. 8, 2009, 2 pages.
- Lovell's Fax, dated Oct. 9, 2009, 3 pages.
- Lovell's Fax, dated Nov. 9, 2009, Claimant's First Notice to Admit and Request for Further Information, 8 pages.
- Re-Re-Amended Grounds between HTC Corporation and Dataquill Limited, Claim No. HC 09 C 00466 (in UK), 13 pages, dated Dec. 4, 2009.
- TaylorWessing cover letter, attached Defendant's Response re HTC Corporation and Dataquill Limited, Claim No. HC 09 C 00466 (in UK), 11 pages, dated Dec. 7, 2009.
- Notice of Intent to Issue Ex parte Reexamination certificate, in ex parte reexamination, in control No. 90/008,394, two cover pages, plus pp. 1,7, mailed Apr. 8, 2009.
- Lovells cover letter, attached "Documents within the Disclosure Window . . ." [referring to A211, C81, C82, C83, C157, C184, C185, C186, C187, C188, C189, C190, C191, C192, C193, C203, C204, C205, C206, C207 previously of record], No. HC 09 C 00466 (in UK), 2 pages, dated Dec. 9, 2009.
- Lovells letter, No. HC 09 C 00466 (in UK), 3 pages, dated Dec. 15, 2009.
- TaylorWessing letter, No. HC 09 C 00466 (in UK), 1 page, dated Dec. 22, 2009.
- Lovells letter, No. HC 09 C 00466 (in UK), 1 page, dated Dec. 22, 2009.
- TaylorWessing cover letter, attached "Defendant's List of Documents," No. HC 09 C 00466 (in UK), 13 pages, dated Jan. 4, 2010.
- Lovells cover letter, attached "Disclosure Statement . . .," No. HC 09 C 00466 (in UK), 5 pages, dated Jan. 4, 2010.
- Lovells letter, No. HC 09 C 00466 (in UK), 2 pages, dated Jan. 8, 2010.
- TaylorWessing letter, No. HC 09 C 00466 (in UK), 1 page, dated Jan. 18, 2010.
- Office action in U.S. Appl. No. 12/348,051, 5 pages, dated Jun. 30, 2010.
- "DataQuill's L.R. 3.1 Disclosure of Asserted Claims and Preliminary Infringement Contentions," 8 pages, and Exhibit A (70 pages), Exhibit A Cont'd (24 pages), *DataQuill Limited v. HTC*, No. 08-CV-00543 IEG (S.D. Cal.), dated Jul. 8, 2010.
- HTC Notice of Motion, and Motion for leave to file first amended answer, affirmative defenses and counterclaims (including inequit. conduct allegations in Count V) (29 pages), *DataQuill Limited v. HTC*, No. 08-CV-00543 IEG (S.D. Cal.), dated Jul. 8, 2010.
- Transmittal form, and action in Reexamination, control No. 90/010,552, 2 pages and 15 pages, mailed Mar. 16, 2010.
- Communications: Email from Stephen Patton to [info@dataquill.com](mailto:info@dataquill.com), 1 page, dated Aug. 10, 2010; Email from DataQuill Ltd to S. Patton, 1 page, dated Sep. 1, 2010.
- Stephen Patton—United Kingdom LinkedIn, <http://uk.linkedin.com/pub/stephen-patton/1/208/bb>, 4 pages, Sep. 2010.
- "DataQuill's Reply to HTC's Amended Counterclaims", *DataQuill Limited v. HTC*, No. 08-CV-00543 IEG (S.D. Cal.), 14 pages, dated Aug. 17, 2010.
- HTC's Invalidity Contentions, *DataQuill Limited v. HTC*, No. 08-CV-00543 IEG (S.D. Cal.), 24 pages, and Exhibits A-304, B-304, C-304, D-304, E-304, F-304, G-304, H-304, I-304, Exhibits 304-112 A, B, C, D, E, and F; Exhibits A-591, B-591, C-591, D-591, E-591, F-591, G-591, H-591, I-591, Exhibits 591-112 A, B, C, D, E, and F (see Exhibit List to Invalidity Contentions), dated Sep. 7, 2010.
- HTC's Response to DQ's First Set of Interrogatories Nos. 1-13 (Non-confidential), *DataQuill Limited v. HTC*, No. 08-CV-00543 IEG (S.D. Cal.), 29 pages, dated Sep. 7, 2010.
- Connecting Mobile Workstations to the Internet over a Digital Cellular Telephone Connection, Univ. of Helsinki Dept. of Comp. Sci., Series of Pubs. C, No. C-1994-39, Sep. 1994 (HTCDQ 073804-823).
- IEEE Communications Magazine, Apr. 1993, 0163-6804/93, pp. 92-100 (HTCDQ 073847-855).
- Measured Performance of Data Transmission Over Cellular Telephone Networks Connecting Mobile Workstations to the Internet over a Digital Cellular Telephone Connection, Univ. of Helsinki Dept. of Comp. Sci., Series of Pubs. C, No. C-1994-53, Nov. 1994 (HTCDQ 073824-846).
- Connecting Mobile*; Randy H. Katz. Adaptation and Mobility in Wireless Information Systems, IEEE Personal Communications, First Quarter 1994, 1070-9916/94, pp. 6-17 (HTCDQ 073792-803).
- Raymond Steele, The Evolution of Personal Communications, IEEE Personal Communications, 2d quarter 1994, 1070-9916/94, pp. 6-11 (HTCDQ 073863-868).
- Bert Haskell, Portable Electronics Packaging Technologies, IEEE Micro, 0740-7475/94, Oct. 1994, pp. 72-78 (HTCDQ 073856-862).
- Cover email and Draft "Joint Markman Claim Construction Chart," *DataQuill Limited v. HTC*, No. 08-CV-00543 IEG (S.D. Cal.), cover and 132 pages, dated Sep. 27, 2010.
- Cover email and HTC's "Table with Bates Numbers for References . . .," *DataQuill Limited v. HTC*, No. 08-CV-00543 IEG (S.D. Cal.), cover and 5 pages, dated Sep. 28, 2010.
- Simon Says Here's How! Simon Mobile Communications Made Simple, First Edition, © 1994 IBM (HTCDQ062643-705).
- Bown, Peyton, "How to get the most out of CompuServe," Rev. 4<sup>th</sup> Ed., © 1989 Bantam Books (HTCDQ072759-3269).
- Bown, Peyton, "How to get the most out of CompuServe," Rev. 5<sup>th</sup> Ed., © 1993 Bantam Books (HTCDQ072258-2758).

“1994 6 vol. 52 No. 6,” apparent Japanese article, 2 pages; with purported HTC translation, 2 pages (HTCDQ071329-332).

Silverlink 2000 Personal Telephone, © 1990 Motorola, HTCDQ050876, Silverlink Telepoint Base Station (HTCDQ050877-79).

Joint Claim Construction Hearing Statement Pursuant to Case Management Order and Patent L.R. 4.2.C, 4 Pages; and Joint Claim Construction Chart, *DataQuill Limited v. HTC*, No. 08-CV-00543 IEG (S.D. Cal.), 132 pages, both dated Oct. 19, 2010.

Minutes of Meeting of the directors of Dataquill Limited, 1 pg., dated May 24, 2003.

Letter from G. Duffey to G. Smith re Concordance, 6 pgs. (including 4 pg. attachment), dated Oct. 27, 2010.

Nitsuko Technical Report No. 17/1992, 2 cover pgs., 73-79 (HTCDQ 48859-67).

Nitsuko Technical Report No. 17/1992, attached purported translation of “Development of the N-Net Wireless Handy Terminal—Mobile Data Input/Output POP Terminal” dated Jul. 30, 2010 (HTCDQ 50584-607).

Interim European Telecommunication Standard, I-ETS 300 131, ETSI, 1-180, Apr. 1992 (HTCDQ 050629-808).

Philips Telecommunication Review, vol. 49, No. 3, 2 cover pgs., 68-73, Sep. 1991 (HTCDQ 52291-98).

“CT2/CAI and Dect Cordless Telecommunications,” IEE Colloquium, Digest No. 1990/165, Nov. 27, 1990 (HTCDQ52299-305).

“Potential uses of bar codes to implement automated dispensing quality assurance programs,” Hospital Pharmacy, vol. 20, May 1985 (HTCDQ 52306-12).

“Bar coding for medical device labeling,” Medical Device and Diagnostic, vol. 5, No. 8, Aug. 1983 (HTCDQ 52313-19).

“Bar code finds identity as user-input alternative,” System and Software, Apr. 1985 (HTCDQ 52320-24).

“An integrated hospital computer system,” Systems Technology, No. 30, 2 cover pgs., Dec. 20-25, 1978 (HTCDQ 52325-32).

“HP TeleShare: Integrating Telephone capabilities on a computer Workstation,” Hewlett-Packard Journal, 2 cover pgs., 69-74, Apr. 1995 (HTCDQ 52333-40).

“Hayes Europe’s Smartcom Message Center Software,” Newsbytes, Feb. 29, 1996 (HTCDQ 52341-42).

“AT&T Makes Big Move in Digital Race,” Los Angeles Times, Oct. 3, 1996 (HTCDQ 52343-44).

“Diamond Ships Voice Modem With Internet Phone,” Newsbytes, May 18, 1995 (HTCDQ 52345-46).

“Toward human-centered design,” Technology Review, 2 cover pgs., 47-53, Jul. 1993 (HTCDQ 52347-55).

Schillings, “Ein neues Konzept . . .,” Methods of Information in Medicine, vol. 17, No. 3, cover, 173-176, Jul. 1978, (HTCDQ 62374-78).

Scheneidawinf, “Poindexter putting finger on PC bugs,” USA Today, Lexis-Nexis print out, Nov. 23, 1992 (HTCDQ 62706-07).

“Keep it Simple, Simon Says,” The Florida Times-Union, Nov. 3, 1993 (HTCDQ 71328).

Barringer, “Infopad: A System Design for Portable Multimedia Access,” University of California, Berkley Department of EECS, p. 382-396, 1-15, Jul. 11-13, 1994 (HTCDQ 71657-72).

Asthana, “An Indoor Wireless System for Personalized Shopping Assistance,” 69-74, ©1995 IEEE (HTCDQ 71673-78).

DataQuill’s Opening Claim Construction Brief, *DataQuill Limited v. HTC*, No. 08-CV-00543 IEG (S.D. Cal.), pp. i-iv, 1-41, dated Dec. 3, 2010.

Smith Declaration (re W103), *DataQuill Limited v. HTC*, No. 08-CV-00543 IEG (S.D. Cal.), 3 pages, dated Dec. 3, 2010, w/o attachments.

Cover email (1 page); DataQuill’s addition to Joint Chart, “to process,” *DataQuill Limited v. HTC*, No. 08-CV-00543 IEG (S.D. Cal.) (4 pages), dated Nov. 24, 2010.

HTC’s Opening Claim Construction Brief, *DataQuill Limited v. HTC*, No. 08-CV-00543 IEG (S.D. Cal.), pp. i-iii, 1-34, dated Dec. 3, 2010.

Declaration of Gregg A. Duffey with HTC’s Exhibits of Markman Materials, *DataQuill Limited v. HTC*, No. 08-CV-00543 IEG (S.D. Cal.), 6 pages, dated Dec. 3, 2010, w/o attachments.

Declaration of Gregg A. Duffey in support of HTC’s Opening Brief on Claim Construction, *DataQuill Limited v. HTC*, No. 08-CV-00543 IEG (S.D. Cal.), 7 pages (including attachments), dated Dec. 3, 2010. DataQuill’s Responsive Claim Construction Brief, *DataQuill Limited v. HTC*, No. 08-CV-00543 IEG (S.D. Cal.), pp. i-iv, 1-38, dated Dec. 17, 2010.

Declaration of Greg Smith in support of DataQuill’s Responsive Claim Construction Brief, *DataQuill Limited v. HTC*, No. 08-CV-00543 IEG (S.D. Cal.), 4 pages, dated Dec. 17, 2010, w/o attachments.

HTC Corporation’s Responsive Brief on Construction of Claims of (Reexamined) U.S. Patent Nos. 6,058,304 and 7,139,591, *DataQuill Limited v. HTC*, No. 08-CV-00543 IEG (S.D. Cal.), pp. i-iii, 1-37, dated Dec. 17, 2010.

Declaration of Gregg A. Duffey in Support of HTC’s Responsive Brief on Claim Construction, *DataQuill Limited v. HTC*, No. 08-CV-00543 IEG (S.D. Cal.), 4 pages, w/o attachments.

Dataquill’s Responses to HTC’s First Set of Interrogatories (Nos. 1-11), *DataQuill Limited v. HTC*, No. 08-CV-00543 IEG (S.D. Cal.), 27 pages, dated Oct. 8, 2010.

Forwarding Dec. 30, 2010 email; Non-confidential parts of HTC’s redacted HTC’s Amended and Supplemental Responses to DataQuill’s First Set of Interrogatories, Nos. 1, 3, and 5, cover page, pp. 6-60, and service page, dated Dec. 1, 2010.

Notice of Intent to Issue Ex Parte Reexamination Certificate, in No. 90/010,552, 21 pages (including cover pgs.) mailed Dec. 28, 2010.

Transcript of deposition of Mr. Garry Robb, *DataQuill Limited v. HTC*, No. 08-CV-00543 IEG (S.D. Cal.), 109 pages (two pages per sheet including transcript pp. 1-216, with certain conf. financial parts redacted) and 16 pages index, dated Jan. 26, 2011.

Claim Construction Order, *DataQuill Limited v. HTC*, No. 08-CV-00543 IEG (S.D. Cal.), 17 pages, filed Mar. 9, 2011.

Schur letter to Duffey re Subpoena Issued Feb. 7, 2011 by the U.S. Dist. Ct. for the Northern District of Texas, *DataQuill Limited v. HTC*, No. 08-CV-00543 IEG (S.D. Cal.), 3 pages. dated Feb. 21, 2011.

Non-Party Int’l Business Machine Corporation’s Responses and Objections to HTC Corporation’s Subpoena Dated Jan. 27, 2011, *DataQuill Limited v. HTC*, No. 08-CV-00543 IEG (S.D. Cal.), 20 pages, dated Feb. 25, 2011.

Order Denying Defendant’s Motion to Limit the Number of Asserted Claims, *DataQuill Limited v. HTC*, No. 08-CV-00543 IEG (S.D. Cal.), 2 pages, filed Mar. 16, 2011.

Transcript of deposition of Mr. Paul Doran, *Data Quill Limited v. HTC*, No. 08-CV-00543 IEG (S.D. Cal.), 89 pages (two pages per sheet including transcript pp. 1-197, with certain conf. financial parts redacted), dated Mar. 9, 2011.

Transcript of deposition of Mr. Frank Callaghan, *DataQuill Limited v. HTC*, No. 08-CV-00543 IEG (S.D. Cal.), 82 pages (two pages per sheet including transcript pp. 1-179, with certain conf. financial parts redacted), dated Mar. 8, 2011.

U.S. District Court Southern District of California (San Diego) Civil Docket for Case #: 3:08-CV-00543-IEG-BGS; as of Feb. 12, 2012.

Order Denying Dataquill’s Motion to Strike Expert Report, Plaintiff, *Dataquill Limited v. High Tech Computer Corp.*, Counter-Plaintiff, *HTC Corporation v. Dataquill Limited*, Counter-Defendant, No. 08-CV-00543 IEG (S.D. Cal.) (5 pages), dated Aug. 26, 2011.

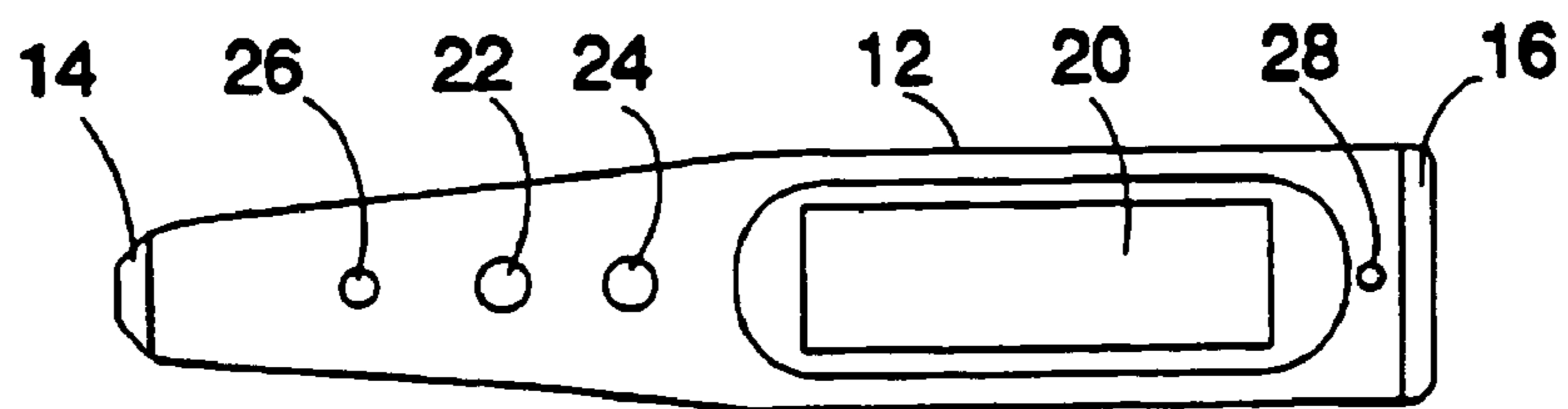
Appendix 1 of Mark Lanning Jul. 18, 2011 Expert Report, *DataQuill v. HTC Corp.*, Case No. 08-cv-543-IEG (9 pgs.).

Appendix 2 of Mark Lanning Jul. 18, 2011 Expert Report, *DataQuill v. HTC Corp.*, Case No. 08-cv-543-IEG (13 pgs.).

Appendix 3 of Mark Lanning Jul. 18, 2011 Expert Report, *DataQuill v. HTC Corp.*, Case No. 08-cv-543-IEG (5 pgs.).

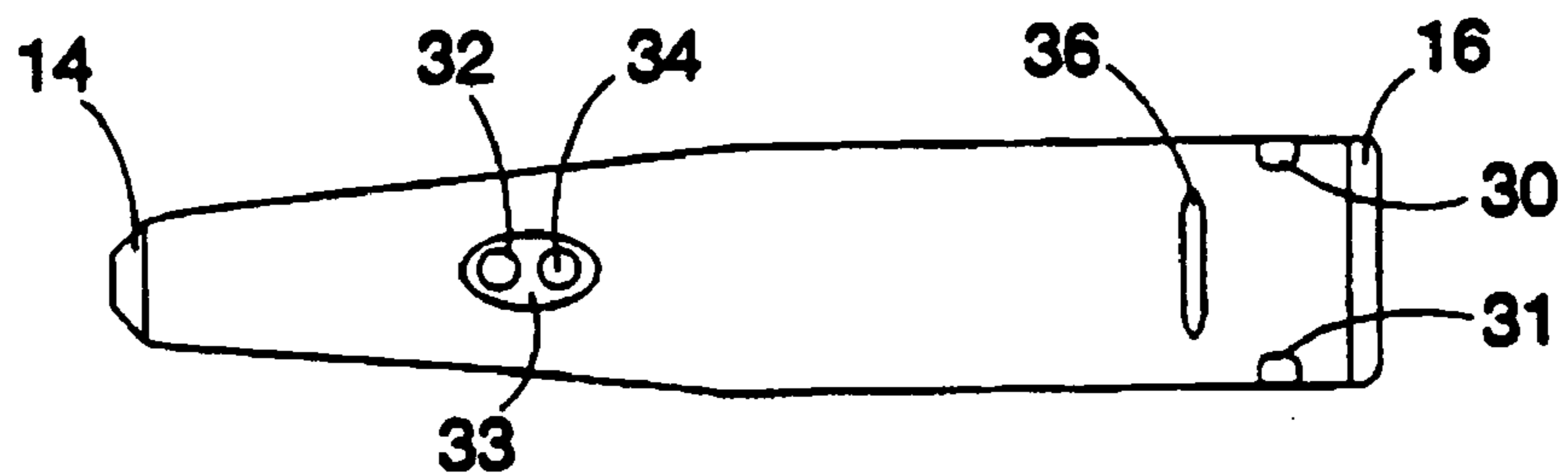
Oral Deposition of Jan Karol Orkisz, May 16, 2011, Case # 08-cv-543-IEG (61 pgs.).

\* cited by examiner



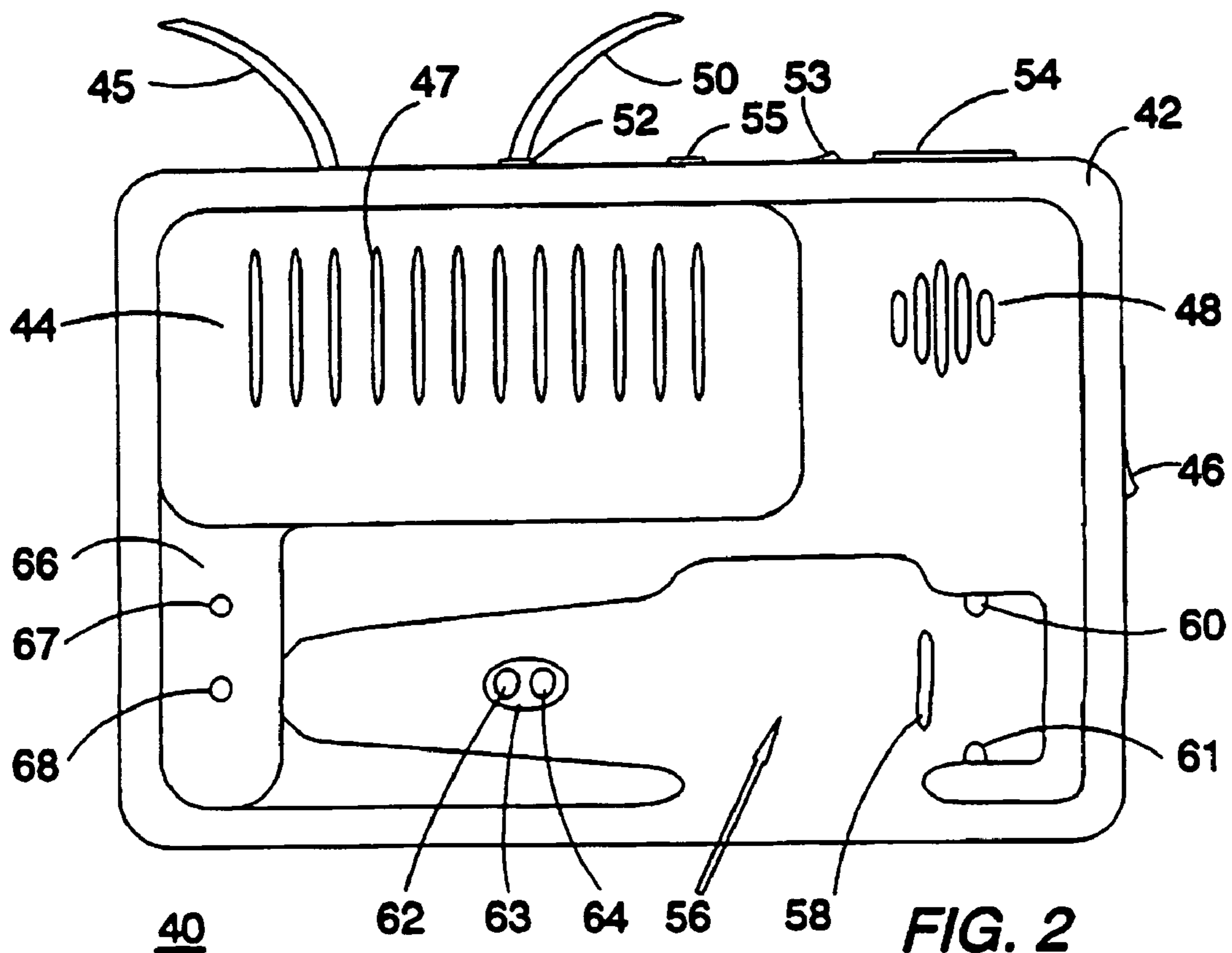
10

**FIG. 1A**



10

**FIG. 1B**



40

**FIG. 2**

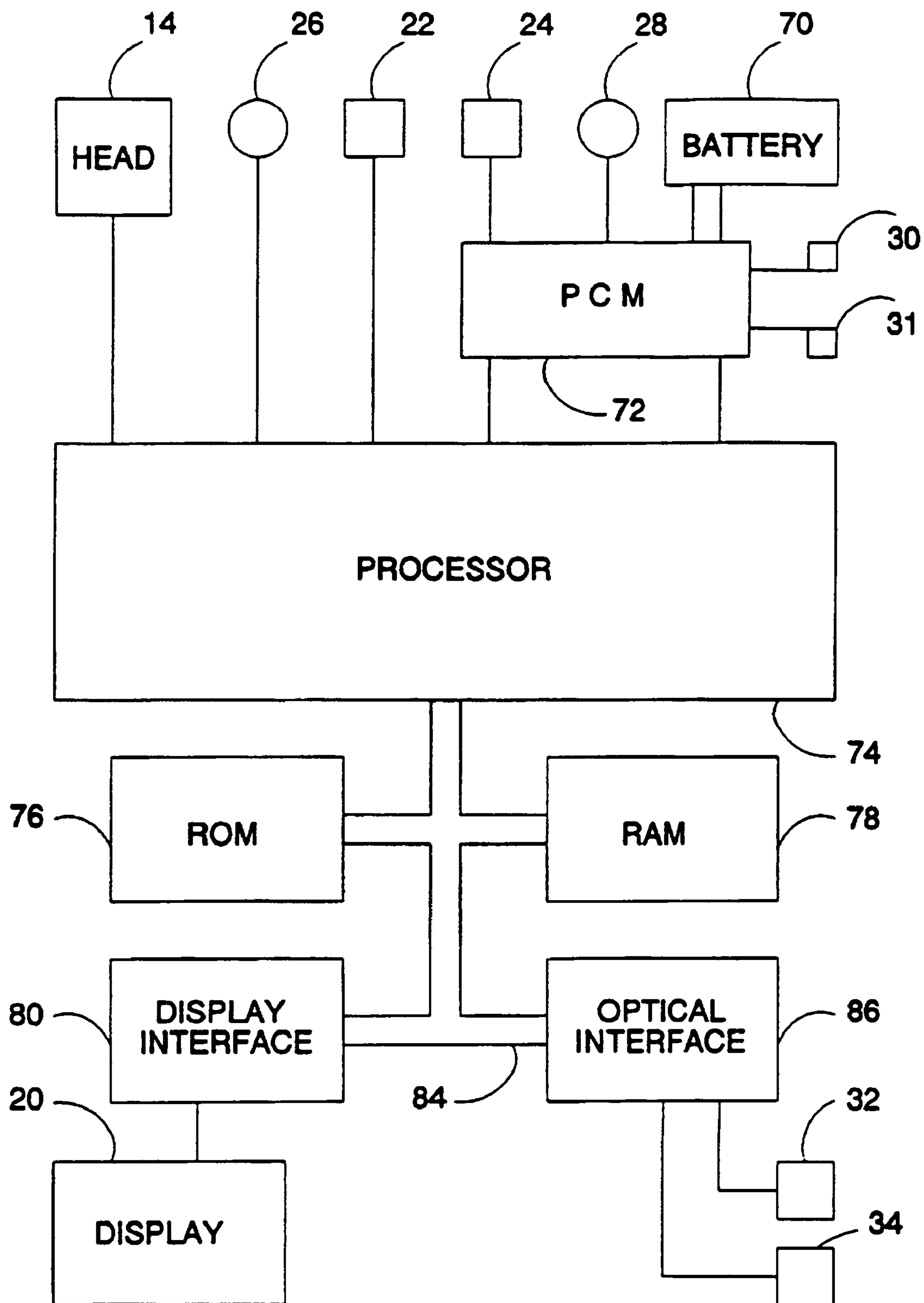


FIG. 3