

# **Exhibit L**

**ROUND 3 DEFENDANTS' DEMONSTRATIVE EXHIBITS**  
**In re Acacia Media Technologies Corporation (Case No. C-05-01114 JW)**  
**August 17, 2007 Hearing on Acacia's Motion for Reconsideration**

**“transmission system”** ..... TAB 1

**“receiving system”** ..... TAB 2

**“sequence of addressable data blocks”** ..... TAB 3

**“storing items having information in a source material library”** ..... TAB 4

**‘992 Claim 45** ..... TAB 5

**‘992 Claim 46 Step Of “generating a listing of available items”** ..... TAB 6

**“library access interface 121”** ..... TAB 7

**“storing items having information in a source material library” (TAB 4)**

- Court’s Construction . . . . . 102
- Acacia’s first construction: “storing” means “placing” . . . . . 103-104
- Acacia’s second construction: “storing” means “adding and maintaining” . . . . 105
- Acacia’s third construction: “storing” means “adding or maintaining” . . . . . 106
- Acacia relied on the same excerpt from the specification in support of its first construction that it now relies on in support of its contradictory fourth construction . . . . . 107
- Acacia previously cited authority to this Court for the proposition that all method steps must be active steps . . . . . 108
- Claim 41 states on its face that all of its steps, including “storing,” are active steps . . . . . 109
- “Retaining” is not an active step . . . . . 110
- If “storing” meant “retaining,” the storing step would be vitiated . . . . . 111
- If “storing” meant “retaining,” claim 41 could never be completed . . . . . 112-113
- Patentees used “inputting” and “storing” synonymously to mean “placing” . . 114

**‘992 Claim 45 (TAB 5)**

- Court’s analysis of claim 45 . . . . . 116
- The disclosed method . . . . . 117
- The claim 45 method is not disclosed . . . . . 118
- Claim 45 impermissibly attempts to rewrite claim 41 . . . . . 119
- There is no way to tell which of claim 45’s “plurality of files” is sent to the “remote locations” . . . . . 120-121
- Acacia’s Construction Of Claim 45 . . . . . 122

**‘992 Claim 46 Step Of “generating a listing of available items” (TAB 6)**

- There is no written description of “generating a listing of available items” . . . 124
- The steps of claim 46 must be performed before sequencing and compression . . . . . 125

**“library access interface 121” (TAB 7)**

- The “library access interface” must be in the “reception system 200” . . . . . 128



**'992 Claim 45**

# Court's Analysis Of Claim 45

United States District Court  
For the Northern District of California

Case 5:05-cr-01114-JW Document 216 Filed 12/14/2006 Page 1 of 38

IN THE UNITED STATES DISTRICT COURT  
FOR THE NORTHERN DISTRICT OF CALIFORNIA

SAN JOSE DIVISION

NO. C 05-01114

THIRD CLAIM CONSTRUCTION ORDER

Plaintiff, **Acacia Media Technologies Corp.**,  
vs.  
Defendant, **New Destiny Internet  
And All Related and  
Actions.**

1  
2  
3  
4  
5  
6  
7  
8  
9  
10  
11  
12

18  
17  
16  
15  
14  
13  
12  
11  
10  
9  
8  
7  
6  
5  
4  
3  
2  
1

This is the Third Plaintiff's Motion for Judgment on the Pleadings for patents entitled "A and '092" (On July 12, 2006) and "092" (On December 12, 2006). The Court has previously granted Plaintiff's Motion for Judgment on the Pleadings for patents entitled "A and '092" (On December 7, 2006).

United States District Court  
For the Northern District of California

Case 5:05-cr-01114-JW Document 216 Filed 12/14/2006 Page 23 of 38

1 "separately storing a plurality of files"  
2 Claim 45 is a method claim which depends from the method claim recited in Claim 1 and  
3 provides for repeatedly storing a plurality of files. The specification does not describe storing a  
4 multiple file. The only description is storing a single file with "compressed, sequenced data  
5 blocks."  
6  
7  
8  
9  
10  
11  
12  
13  
14  
15  
16  
17  
18  
19  
20  
21  
22  
23  
24  
25  
26  
27  
28

After compression processing by compressor 116, the compressed audio and video data 117 is  
117 preferably stored in a compressed data storage means 118. A  
118  
119  
120  
121  
122  
123  
124  
125  
126  
127  
128

Claim 45 of the '092 Patent requires:  
1. A transmission method as recited in claim 45, further comprising the step, performed by the  
2. processor, of:  
3. generating a listing of readable items;  
4. retrieving a list of readable data blocks corresponding to requests from users;  
5. The Court requires further briefing on the requests of Claim 45, particularly with respect to  
6. when the claims reciting the "list of readable items" claim. In addition, the Court requests  
7. additional briefing with respect to the following specifications:  
8. "Claim 45 of the '092 Patent requires that the compressed data storage means 118 provide  
9. a transmission method as recited in claim 45, further comprising the step, performed by the  
10. processor, of:  
11. generating a listing of readable items;  
12. retrieving a list of readable data blocks corresponding to requests from users;  
13. The Court requires further briefing on the requests of Claim 45, particularly with respect to  
14. when the claims reciting the "list of readable items" claim. In addition, the Court requests  
15. additional briefing with respect to the following specifications:  
16. "Claim 45 of the '092 Patent requires that the compressed data storage means 118 provide  
17. a transmission method as recited in claim 45, further comprising the step, performed by the  
18. processor, of:  
19. generating a listing of readable items;  
20. retrieving a list of readable data blocks corresponding to requests from users;  
21. The Court requires further briefing on the requests of Claim 45, particularly with respect to  
22. when the claims reciting the "list of readable items" claim. In addition, the Court requests  
23. additional briefing with respect to the following specifications:  
24. "Claim 45 of the '092 Patent requires that the compressed data storage means 118 provide  
25. a transmission method as recited in claim 45, further comprising the step, performed by the  
26. processor, of:  
27. generating a listing of readable items;  
28. retrieving a list of readable data blocks corresponding to requests from users;

3 provides for separately storing a plurality of files. The specification does not describe storage in  
4 multiple files. The only description is storing a single file with "compressed, sequenced data  
5 blocks."  
6  
7 After compression processing by compressor 116, the compressed audio and video data is  
8 preferably formatted and placed into a single file by the compressed data storage means 117.  
9  
10 \* \* \*  
11  
12 After the data is processed into a file by the compressed data storage means 117, it is  
13 preferably stored in a compressed data library 118.  
14 (992 Patent, Col. 10:23-26; Col. 10:36-39.) In light of the fact that there is no description of storage  
15 in multiple files, the Court declines to construe the phrase "separately storing a plurality of files" as  
16 arguably indefinite.<sup>12</sup>

# Disclosed Method

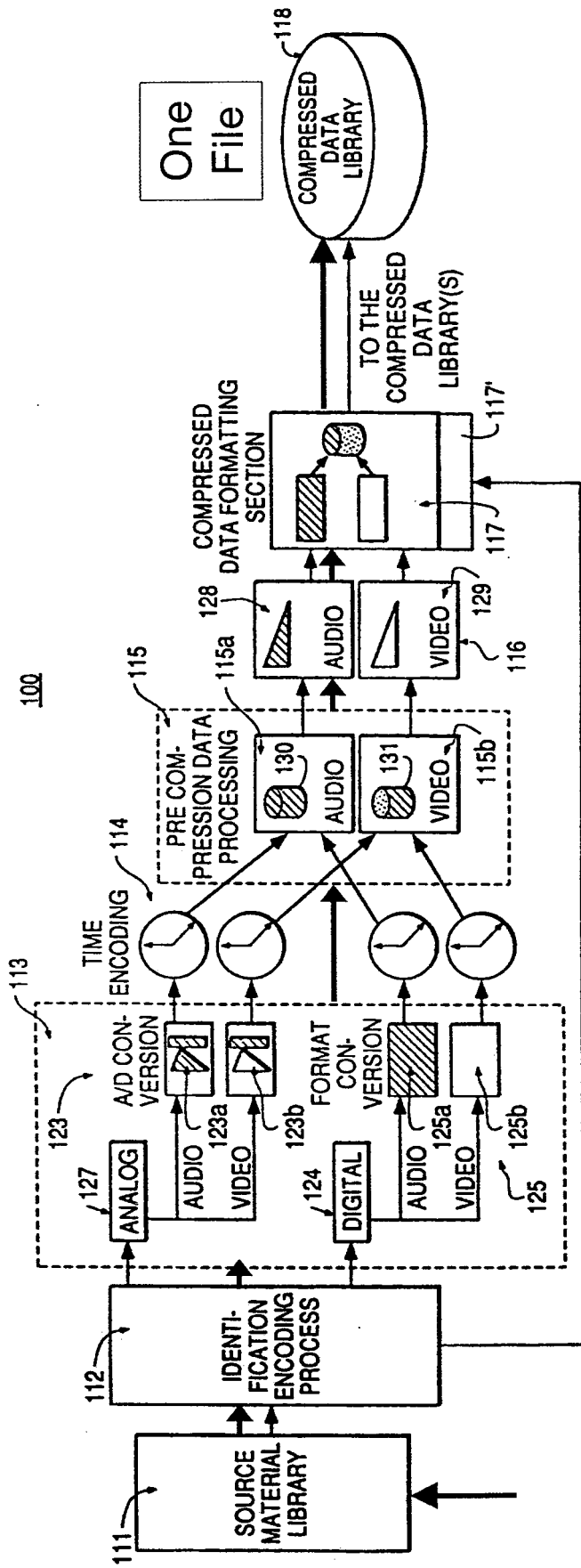


FIG. 2a

# Claim 45 Method Not Disclosed

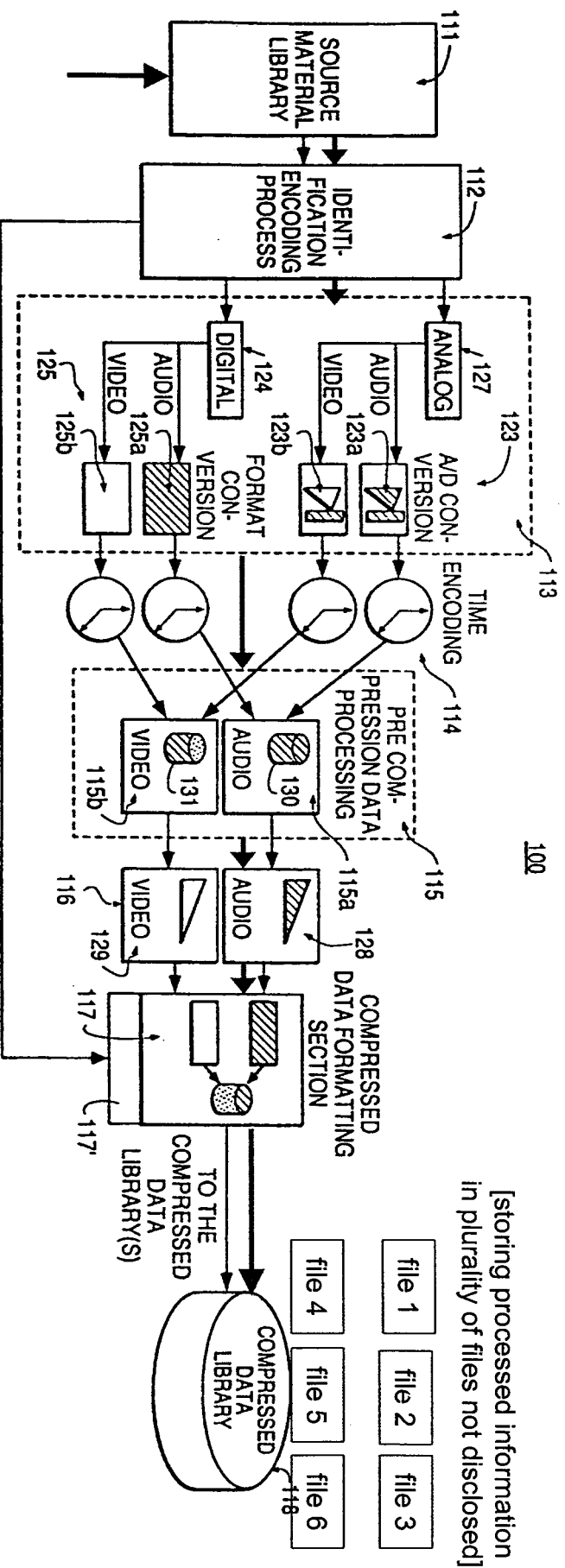


FIG. 2a



## Claim 45 Impermissibly Attempts To Rewrite Claim 41

41. A method of transmitting information to remote locations, the transmission method comprising the steps, performed by a transmission system, of:
- storing items having information in a source material library;
  - retrieving the information in the items from the source material library;
  - assigning a unique identification code to the retrieved information;
  - placing the retrieved information into a predetermined format as formatted data;
  - placing the formatted data into a sequence of addressable data blocks;
  - compressing the formatted and sequenced data blocks;
  - storing, as ~~a file~~, <sup>a plurality of files</sup> the compressed, formatted, and sequenced data blocks with the assigned unique identification code; and
  - sending at least a portion of the file to one of the remote locations.
45. A transmission method as recited in claim 41, wherein the storing step further comprises the step of:
- separately storing a plurality of files, each including compressed, sequenced data blocks.

## No Way To Tell Which Of The “plurality of files” Is Sent To The “remote locations”

41. A method of transmitting information to remote locations, the transmission method comprising the steps, performed by a transmission system, of:
- storing items having information in a source material library;
  - retrieving the information in the items from the source material library;
  - assigning a unique identification code to the retrieved information;
  - placing the retrieved information into a predetermined format as formatted data;
  - placing the formatted data into a sequence of addressable data blocks;
  - compressing the formatted and sequenced data blocks;
  - storing, as ~~a file~~, <sup>a plurality of files</sup> the compressed, formatted, and sequenced data blocks with the assigned unique identification code; and
  - sending at least a portion of the file to one of the remote locations.
45. A transmission method as recited in claim 41, wherein the storing step further comprises the step of:
- separately storing a **plurality of files**, each including compressed, sequenced data blocks.

# No Way To Tell Which Of The "plurality of files" Is Sent To The "remote locations" (cont'd)

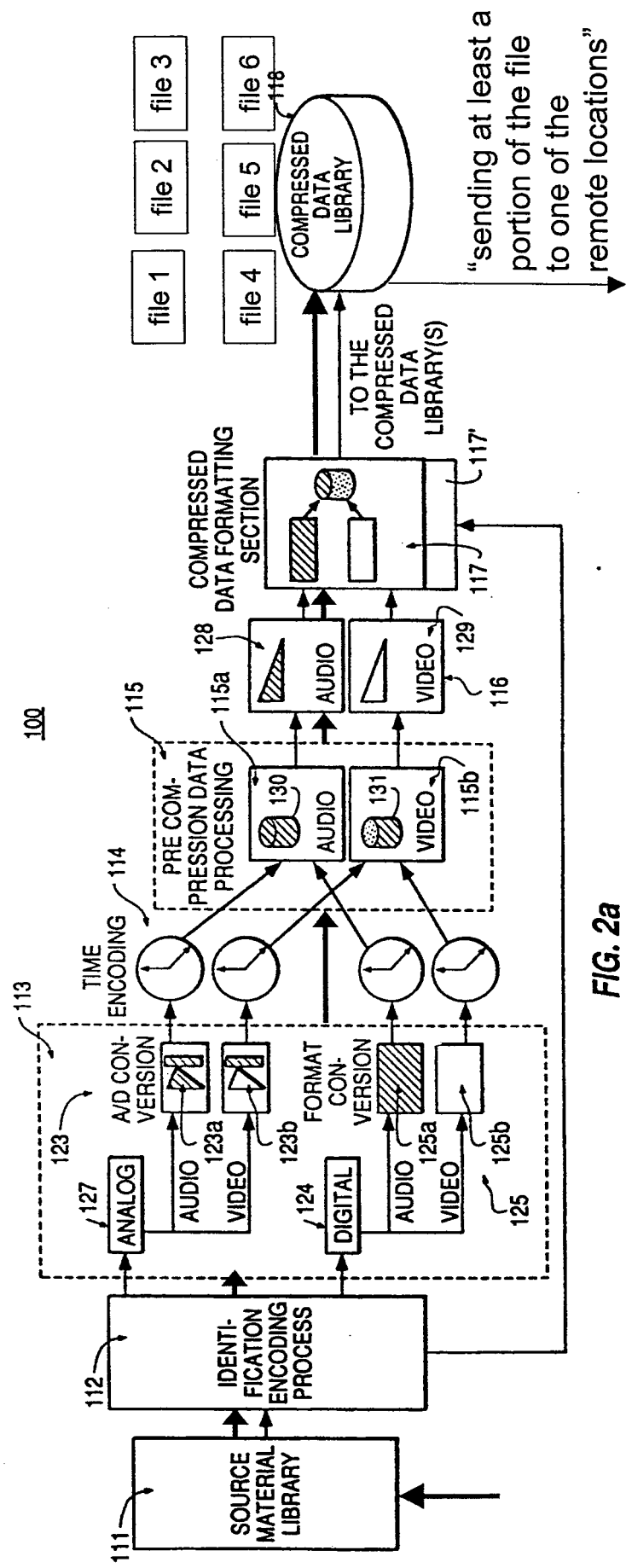


FIG. 2a

# Acacia's Construction Of Claim 45

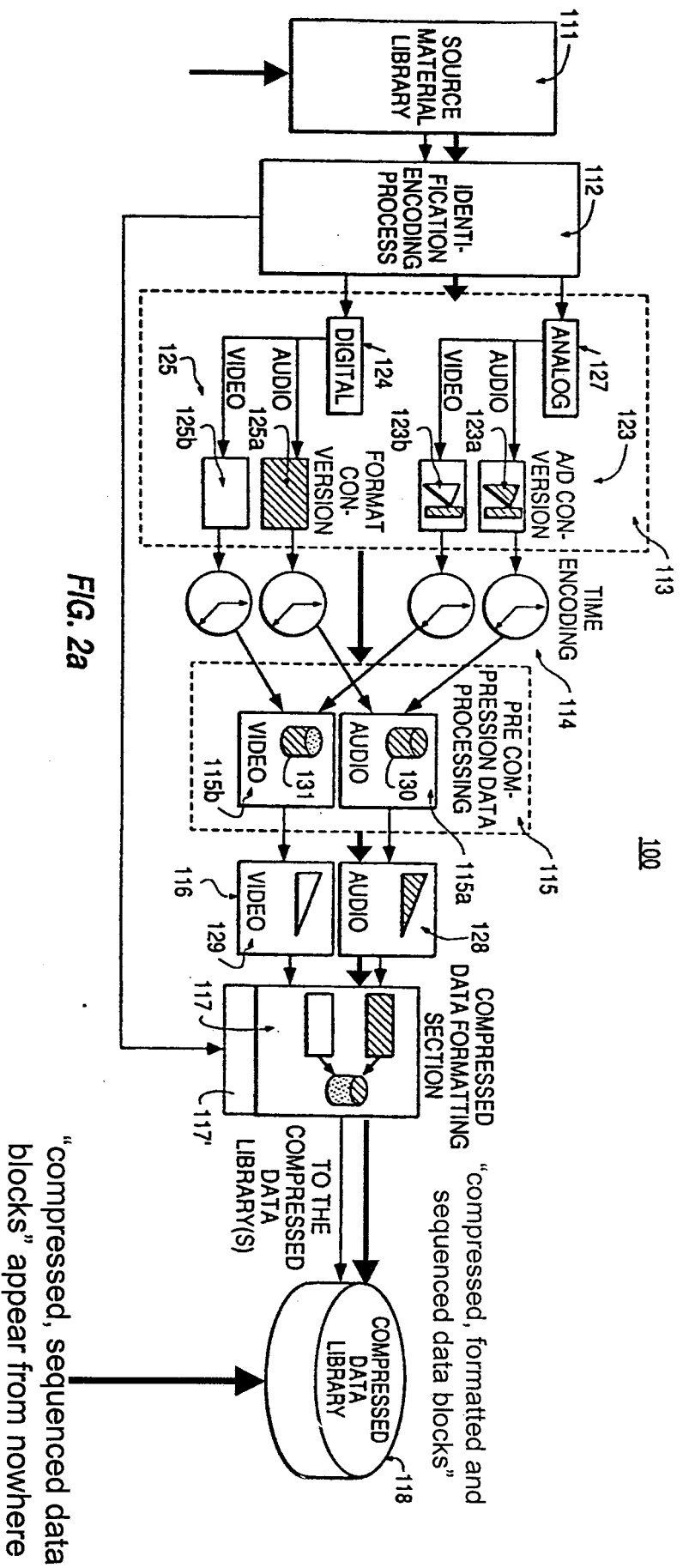


FIG. 2a

Claim 45 step of "separately storing a plurality of files..." has no relationship to the method of claim 41

"compressed, sequenced data blocks" appear from nowhere