

# EXHIBIT 3

375 240.01  
 Class Subclass  
 ISSUE CLASSIFICATION

PATENT NUMBER  
**6144702**

**U.S. UTILITY PATENT APPLICATION**

③ O.I.P.E. PATENT DATE  
 SCANNED *YCK* O.A. *RG* NOV 07 2000

SECTOR	CLASS	SUBCLASS	ART UNIT	EXAMINER
	375	240		

FILED WITH:  DISK (CRF)  FICHE  
 (Attached in pocket on right inside flap)

**PREPARED AND APPROVED FOR ISSUE**

ORIGINAL		CROSS REFERENCE(S)			
CLASS	SUBCLASS	CLASS	SUBCLASS (ONE SUBCLASS PER BLOCK)		
375	240.01	375	377		
INTERNATIONAL CLASSIFICATION		348	3841		
H04N	7/12				

9-25-00 Formal Drawings (12 sheets) set 7-23-98

<input checked="" type="checkbox"/> <b>TERMINAL DISCLAIMER</b> 09/120,452	DRAWINGS			CLAIMS ALLOWED	
	Sheets Drwg. 12	Figs. Drwg. 19	Print Fig. 7	Total Claims 42	Print Claim for O.G. 1
<input type="checkbox"/> a) The term of this patent subsequent to _____ (date) has been disclaimed.	_____ (Assistant Examiner) (Date)			<b>NOTICE OF ALLOWANCE MAILED</b> 6/1/00	
<input checked="" type="checkbox"/> b) The term of this patent shall not extend beyond the expiration date of U.S. Patent No. 5,132,992.	Amanda T. Williams AMANDA T. WILLIAMS PRIMARY EXAMINER (Primary Examiner) 052900 (Date)			<b>ISSUE FEE</b> Amount Due 1210.00 Date Paid 8/30/00	
<input type="checkbox"/> c) The terminal _____ months of this patent have been disclaimed.	Anthony Williams 6/1/00 (Legal Instruments Examiner) (Date)			<b>ISSUE BATCH NUMBER</b> N21	

**WARNING:**  
 The information disclosed herein may be restricted. Unauthorized disclosure or possession outside the U.S. Patent & Trademark Office is restricted to authorized personnel.

**ATTENTION**

**NO PUBLIC COPYING OF THIS FILE**

**SEE SCANNED-FILE NOTICE ATTACHED INSIDE FILE JACKET**

Form PTO-435A (Rev. 10/97)

(LABEL)

(FACE)

SERIAL NUMBER 09,120,452	FILING DATE 07/23/98	CLASS 386	GROUP ART UNIT 2712	ATTORNEY DOCKET NO. 02473.0004
-----------------------------	-------------------------	--------------	------------------------	-----------------------------------

APPLICANT

PAUL YURT, SCOTTSDALE, AZ; H. LEE BROWNE, GREENWICH, CT.

**\*\*CONTINUING DOMESTIC DATA\*\*\*\*\***

VERIFIED THIS APPLN IS A DIV OF 08/630,590 04/10/96  
 WHICH IS A CON OF 08/133,982 10/08/93 PAT 5,550,863  
 WHICH IS A CON OF 07/862,508 04/02/92 PAT 5,253,275  
 WHICH IS A CON OF 07/637,562 01/07/91 PAT 5,132,992

*Handwritten notes: Amanda Le 2734, 395 P40, 3757240 2614, 375172 2614, 3757122 260*

**\*\*371 (NAT'L STAGE) DATA\*\*\*\*\***

VERIFIED None

**\*\*FOREIGN APPLICATIONS\*\*\*\*\***

VERIFIED None

09120452

FOREIGN FILING LICENSE GRANTED 08/21/98

Foreign Priority claimed 35 USC 119 (a-d) conditions met	<input type="checkbox"/> yes <input checked="" type="checkbox"/> no <input type="checkbox"/> yes <input checked="" type="checkbox"/> no	<input type="checkbox"/> Met after Allowance	STATE OR COUNTRY AZ	SHEETS DRAWING 12	TOTAL CLAIMS 18	INDEPENDENT CLAIMS 2
Verified and Acknowledged	<i>ws</i>	Examiner's Initials	Initials			

ADDRESS  
~~FINNEGAN HENDERSON FARROW GARRETT AND DUNNER~~  
~~1300 I STREET NW WASHINGTON DC 20005-3315~~  
 Andrea G. Reister, Esq  
 Howery & Simon  
 Box No. 34  
 1299 Pennsylvania Avenue, N.W.  
 Washington, DC 20004-2402

TITLE  
 AUDIO AND VIDEO TRANSMISSION AND RECEIVING SYSTEM

FILING FEE RECEIVED \$790	FEES: Authority has been given in Paper No. _____ to charge/credit DEPOSIT ACCOUNT NO. _____ for the following:	<input type="checkbox"/> All Fees <input type="checkbox"/> 1.16 Fees (Filing) <input type="checkbox"/> 1.17 Fees (Processing Ext. of time) <input type="checkbox"/> 1.18 Fees (Issue) <input type="checkbox"/> Other _____ <input type="checkbox"/> Credit
------------------------------	---	---

Printed 05/27/2000

SERIAL NUMBER	FILING DATE	CLASS	GROUP ART UNIT	ATTORNEY DOCKET NO
09/120,452	07/23/1998	375	2734	02473.0004

APPLICANT  
RAUL YURT, SCOTTSDALE, ARIZONA; H. LEE BROWNE, GREENWICH, CONNECTICUT.

\*\*CONTINUING DOMESTIC DATA\*\*\*\*\*  
 VERIFIED THIS APPLN IS A DIV OF 08/630,590 04/10/1996 PAT 6,002,120  
 WHICH IS A CON OF 08/133,982 10/08/1993 PAT 5,550,863  
 WHICH IS A CON OF 07/862,508 04/02/1992 PAT 5,253,275  
 WHICH IS A CON OF 07/637,562 01/07/1991 PAT 5,132,992

\*\*371 (NAT'L STAGE) DATA\*\*\*\*\*  
 VERIFIED None

\*\*FOREIGN APPLICATIONS\*\*\*\*\*  
 VERIFIED None

09/120,452

Foreign priority claimed	<input type="radio"/> yes <input checked="" type="radio"/> no	STATE OR COUNTRY	SHEETS DRAWINGS	TOTAL CLAIMS	INDEPENDENT CLAIMS
35 USC 119 (a-d) conditions met	<input type="radio"/> yes <input checked="" type="radio"/> no <input type="radio"/> Met after Allowance	CT	12	18	2
Verified and acknowledged	AMANDA LE <i>ASJ</i>	Examiner's Name	Initials		

ADDRESS  
 HOWREY SIMON ARNOLD & WHITE LLP  
 BOX 34  
 1299 PENNSYLVANIA AVENUE NW  
 WASHINGTON, DC 20004

TITLE  
 AUDIO AND VIDEO TRANSMISSION AND RECEIVING SYSTEM



JUL 29 9 84

INITIALS

# PATENT APPLICATION



09120452

## When Entering a Paper See Scanned Notice Inside File

Date received (Incl. C. of M.) or Date Mailed

Date Mailed

1. Application papers.	Date Mailed	42.	Date received (Incl. C. of M.) or Date Mailed
2. <i>Amend A</i>	<i>2-10-99</i>	43.	
34 3. <i>Req (3m)</i>	<i>3/5/99</i>	44.	
4. <i>Change of address</i>	<i>2-10-99</i>	45.	
5. <i>IDS sheet</i>	<i>2-10-99</i>	46.	
6. <i>P/A assignee</i>	<i>2-10-99</i>	47.	
7. <i>Notice of Use</i>	<i>3/23/99</i>	48.	
62 8. <i>Req (3m)</i>	<i>6-25-99</i>	49.	
9. <i>Amend B</i>	<i>8-6-99</i>	50.	
10. <i>Supp. IDS</i>	<i>8-6-99</i>	51.	
11. <i>Terminal Disclaimer</i>	<i>8-6-99</i>	52.	
12. <i>Req (3m)</i>	<i>10/26/99</i>	53.	
13. <i>Req for reconsider.</i>	<i>11-12-99</i>	54.	
14. <i>Req (3m)</i>	<i>1-24-00</i>	55.	
15. <i>Amend C</i>	<i>3-23-2000</i>	56.	
16. <i>Disclosure Statement</i>	<i>3-23-00</i>	57.	
17. <i>IDS sheet</i>	<i>10-21-99</i>	58.	
18. <i>Req Amend D</i>	<i>10-21-99</i>	59.	
19. <i>Req Amend E</i>	<i>10-21-99</i>	60.	
6 20. <i>Notice of Allowance</i>	<i>6/1/00</i>	61.	
21. <i>Req for 60C</i>	<i>12-14-02</i>	62.	
22. <i>Director's Report</i>	<i>1-24-03</i>	63.	
23.		64.	
24.		65.	
25.		66.	
26.		67.	
27.		68.	
28.		69.	
29.		70.	
30.		71.	
31.		72.	
32.		73.	
33.		74.	
34.		75.	
35.		76.	
36.		77.	
37.		78.	
38.		79.	
39.		80.	
40.		81.	
41.		82.	

RECEIVED

Atty. Docket No. : Serial No. 09/120,452  
 : 2473-0001-04 : ~~Not Yet Assigned~~  
 INFORMATION DISCLOSURE CITATION : Applicant  
 :  
 (Use several sheets if necessary) : Paul Yurt et al.  
 : Filing Date : Group 2134  
 : July 23, 1998 : ~~Not Yet Assigned~~

U.S. PATENT DOCUMENTS

*Examiner:	Document	Date	Name	Class	Subclass	If Appropriate
Initial	Number	Date	Name	Class	Subclass	If Appropriate
WSD	3,599,178	8/10/71	Jackson et al.	340	172.5	
WSD	3,746,780	7/17/73	Stetten et al.	178	6.6 A	
WSD	4,009,344	2/22/77	Flemming	179	15 BS	
WSD	4,009,346	2/22/77	Parker et al.	179	15 AO	
WSD	4,028,733	06/19/77	Ulicki	358	86	
WSD	4,062,043	12/6/77	Zeidler et al.	358	86	
WSD	4,071,697	1/31/78	Bushnell et al.	179	2 TV	
WSD	4,122,299	10/24/78	Cannon	178	26 A	
WSD	4,295,154	10/13/81	Hata et al.	358	4	
WSD	4,381,522	4/26/83	Lambert	358	86	
WSD	4,400,717	8/23/83	Southworth et al.	358	13	
WSD	4,450,477	5/22/84	Lovett	358	86	
WSD	4,506,387	3/19/85	Walter	455	612	
WSD	4,518,989	5/21/85	Yabiki et al.	358	86	
WSD	4,521,806	6/4/85	Abraham	358	86	
WSD	4,533,936	8/6/85	Tiemann et al.	358	12	
WSD	4,538,176	8/27/85	Nakajima et al.	358	86	
WSD	4,567,512	1/28/86	Abraham	358	86	
WSD	4,590,516	5/20/86	Abraham	358	86	
WSD	4,679,079	7/7/87	Catros et al.	358	135	
WSD	4,688,246	8/18/87	Eilers et al.	380	9	
WSD	4,734,765	3/29/88	Okada et al.	358	102	
WSD	4,206,316	6/3/80	Burnsweig et al.	375	43	
WSD	4,847,827	7/11/89	Tompkins et al.	370	62	
WSD	5,014,267	5/7/91	Tompkins et al.	370	62	
WSD	5,057,932	10/15/91	Lang	358	133	
WSD	5,164,839	11/17/92	Lang	358	335	
WSD	5,133,079	7/21/92	Ballantyne et al.	348	7	

Examiner : *amandace* : Date Considered : 03/03/99

\* EXAMINER: Initial if reference considered, whether or not citation is in conformance with MPEP 609; Draw line through citation if not in conformance and not considered. Include copy of this form with next communication to applicant.

Atty. Docket No. : Serial No. 09/120,452  
 : :  
 : 2473-0001-04 : Not Yet Assigned  
 INFORMATION DISCLOSURE CITATION : Applicant  
 : :  
 (Use several sheets if necessary) : Paul Yurt et al.  
 : Filing Date : Group 2734  
 : :  
 : July 23, 1998 : Not Yet Assigned

U.S. PATENT DOCUMENTS

*Examiner:	Document	Date	Name	Class	Subclass	Filing Date
Initial	Number	Date	Name	Class	Subclass	If Appropriate
WSE	4,755,872	7/5/88	Bestler et al.	358	86	
WSE	4,763,191	8/9/88	Gordon et al.	358	86	
WSE	4,785,349	11/15/88	Keith et al.	358	136	
WSE	4,807,023	2/21/89	Bestler et al.	358	86	
WSE	4,833,710	5/23/89	Hirashima	380	20	
WSE	4,847,677	7/11/89	Music et al.	358	13	
WSE	4,868,653	9/19/89	Golin et al.	358	133	
WSE	4,890,320	12/26/89	Monslow et al.	380	10	
WSE	4,907,081	3/6/90	Okamura et al.	358	133	
WSE	4,914,508	4/3/90	Music et al.	358	13	
WSE	4,920,432	4/24/90	Eggers et al.	360	33.1	
WSE	4,937,821	6/26/90	Boulton	370	124	
WSE	4,947,244	8/7/90	Fenwick et aol.	358	86	
WSE	4,949,169	8/14/90	Lumelsky et al.	358	86	
WSE	4,949,187	8/14/90	Cohen	358	335	
WSE	4,963,995	10/16/90	Lang	358	335	
WSE	5,032,927	07/00/91	Watanabe et al.	398	133X	
WSE	5,057,932	10/15/91	Lang			
WSE	5,130,792	7/1992	Tindell et al.	358	85	
WSE	5,132,992	07/00/92	Yurt	375	122	
WSE	5,195,092	03/16/93	Wilson et al.	348	13	
WSE	5,276,866	07/19/98	Paolini	395	603	

FOREIGN PATENT DOCUMENTS

Document	Date	Country	Class	Subclass	Translation
Number	Date	Country	Class	Subclass	Yes : No
WSE	EP0355697A2	2/28/90	EPO		X
WSE	WO84/00863	3/1/84	International		X
WSE	WO89/12370	12/14/89	International		X

OTHER DOCUMENTS (Including Author, Title, Date, Pertinent Pages, Etc.)

WSE : Ernie Ohrenstein, "Supercomputers Seek High Throughput and Expandable Storage", COMPUTER TECHNOLOGY REVIEW, IEEE Spectrum, May, 1990, pp. 33-43  
 WSE : Patricia A. Morreale, et al., "Metropolitan-Area Networks," IEEE Spectrum, May 1990, pp. 40-43

\* EXAMINER: Initial if reference considered, whether or not citation is in conformance with MPEP 609; Draw line through citation if not in conformance and not considered. Include copy of this form with next communication to applicant.

Amondalo /

03/03/99

NOTICE RE: CERTIFICATES OF CORRECTION

DATE : 01/24/03

Paper No.: 22

TO : Supervisor, Art Unit 2600 2631

SUBJECT : Certificate of Correction Request in Patent No.: 6144,702

A response to the following question is requested with respect to the accompanying request for a certificate of correction.

With respect to the change(s) requested, correcting Office and/or Applicant's errors, should the patent read as shown in the certificate of correction? No new matter should be introduced, nor should the scope or meaning of the claims be changed.

PLEASE COMPLETE THIS FORM AND RETURN WITH FILE, WITHIN 7 DAYS, TO CERTIFICATES OF CORRECTION BRANCH - PK 3-915/922 PALM LOCATION 7580 - TEL. NO. 305-8309

THANK YOU FOR YOUR ASSISTANCE!

Note your decision, regarding the changes requested in the Request for Certificate of Correction, placing a check mark (+) in the box that reflects your decision, which corresponds to the question check above.

YES

NO

Comments below

Comments:

\_\_\_\_\_  
\_\_\_\_\_  
\_\_\_\_\_  
\_\_\_\_\_

[Signature]  
Supervisor

2634  
Art Unit

00024402160



Staple  
Here  
Only!

PRINTERS TRIM LINE

UNITED STATES PATENT AND TRADEMARK OFFICE  
**CERTIFICATE OF CORRECTION**

PATENT NO. : 6,144,702  
DATED : November 7, 2000  
INVENTOR(S) : Paul Yurt, et al.

Page 1 of 1

It is certified that error appears in the above-identified patent and that said Letters Patent is hereby corrected as shown below:

Column 19.  
Line 44, replace "compressor" with "decompressor".

442270-2500000

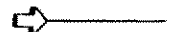
RMW IRV1061034.1\*-12/12/02 3:05 PM

MAILING ADDRESS OF SENDER:

CHRISTIE, PARKER & HALE  
Post Office Box 7068  
Pasadena, CA 91109-7068

PATENT NO. 6,144,702

No. of add'l copies  
@ 50¢ per page





Copy  
R

PATENT  
47691/DMC/A719

IN THE UNITED STATES PATENT AND TRADEMARK OFFICE

# 21  
JW

I hereby certify that this correspondence is being deposited with the U.S. Postal Service as first class mail in an envelope addressed to Commissioner of Patents and Trademarks, Washington, D.C. 20231 on December 12, 2002.

Renne M. F. Wyzykowski  
Renne M. F. Wyzykowski

Certificate

DEC 26 2002

of Correction

U.S. Patent No. : 6,144,702  
Issued : November 7, 2000  
Inventor(s) : Paul Yurt, et al.  
Application No. : 09/120,452  
Filed : July 23, 1998  
Title : AUDIO AND VIDEO TRANSMISSION AND RECEIVING SYSTEM

REQUEST FOR CERTIFICATE OF CORRECTION

Office of Certificates of Correction  
Assistant Commissioner for Patents  
Washington, D.C. 20231

Post Office Box 7068  
Pasadena, CA 91109-7068  
December 12, 2002

Commissioner:

Attached are two copies of a proposed Certificate of Correction to correct an error by the Patent Office appearing in the above-referenced patent. The error is identified in detail in the proposed certificate, and the corresponding text in the application is located as follows:

Location in Patent

Column 19, line 44 (Claim 1)

Location in Application

Second Preliminary Amendment dated February 10, 1999, page 2, line 17 (New Claim 33); and Reply and Amendment Under 37 C.F.R. § 1.111 dated March 23, 2000 page 2.

Approval of this certificate is respectfully requested.

Respectfully submitted,

CHRISTIE, PARKER & HALE

By

Daniel M. Cavanagh, Reg. No. 41,661  
Telephone: 626/795-9900

DMC/rmw  
Enclosures: Certificate of Correction (2)  
RMW IRV1061081.1 - 12/12/02 3:26 PM

DEC 27 2002

09120452,072300

Staple  
Here  
Only!

PRINTERS TRIM LINE

UNITED STATES PATENT AND TRADEMARK OFFICE  
**CERTIFICATE OF CORRECTION**

PATENT NO. : 6,144,702  
DATED : November 7, 2000  
INVENTOR(S) : Paul Yurt, et al.

Page 1 of 1

It is certified that error appears in the above-identified patent and that said Letters Patent is hereby corrected as shown below:

Column 19.  
Line 44, replace "compressor" with "decompressor".

RMW IRV1061034.1\*-12/12/02 3:03 PM

MAILING ADDRESS OF SENDER:

CHRISTIE, PARKER & HALE  
Post Office Box 7068  
Pasadena, CA 91109-7068

PATENT NO. 6,144,702

No. of add'l copies  
⑤ 50¢ per page



APPROVED	O.G. FIG. 7	
BY	CLASS	SUBCLASS
DRAFTSMAN	375	2401

6144702

FIG. 1a

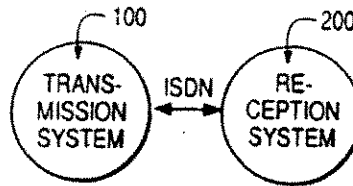


FIG. 1b

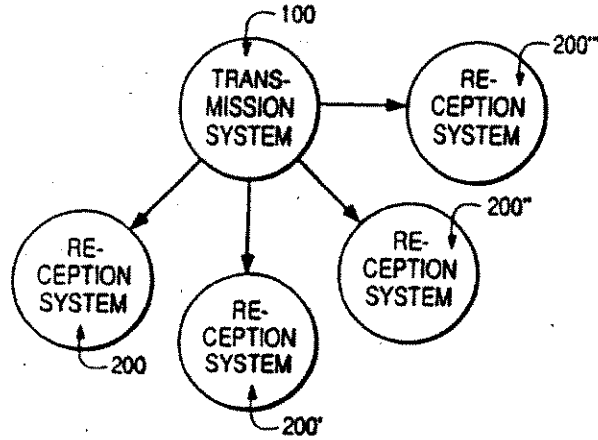
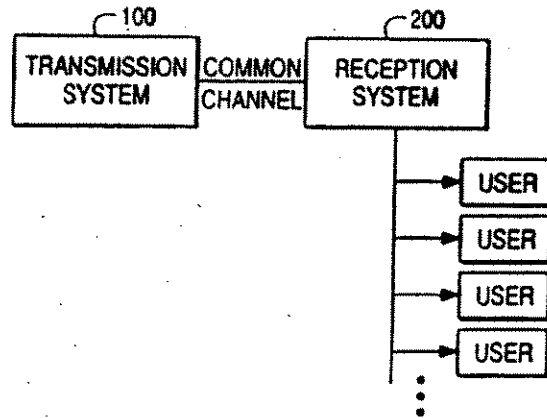


FIG. 1d



86220125402160  
 86220125402160

19

APPROVED	O.G. FIG. 7	
BY	CLASS	SUBCLASS
DRAFTSMAN	375	240.01

FIG. 1e

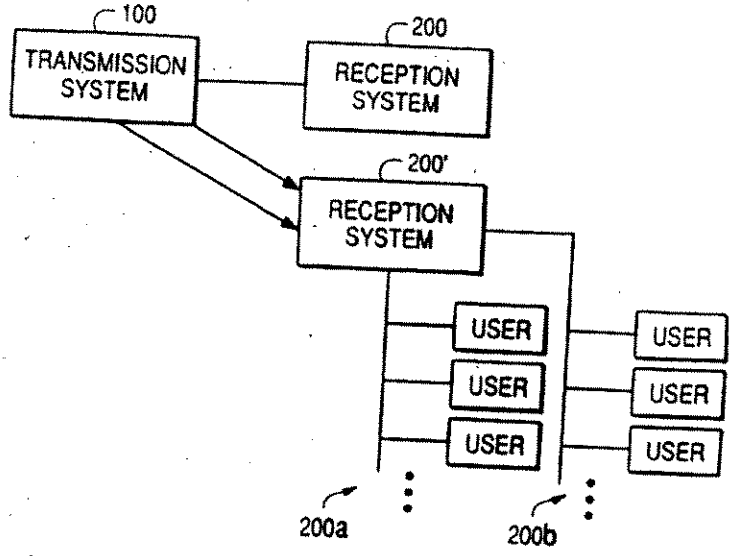
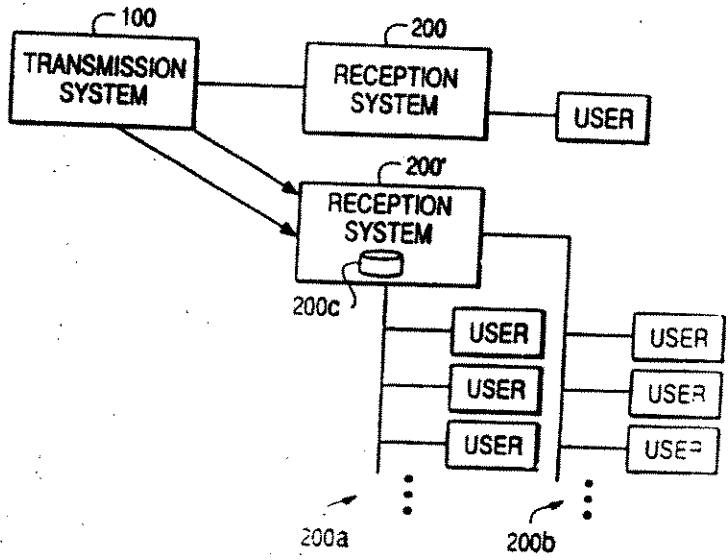


FIG. 1f

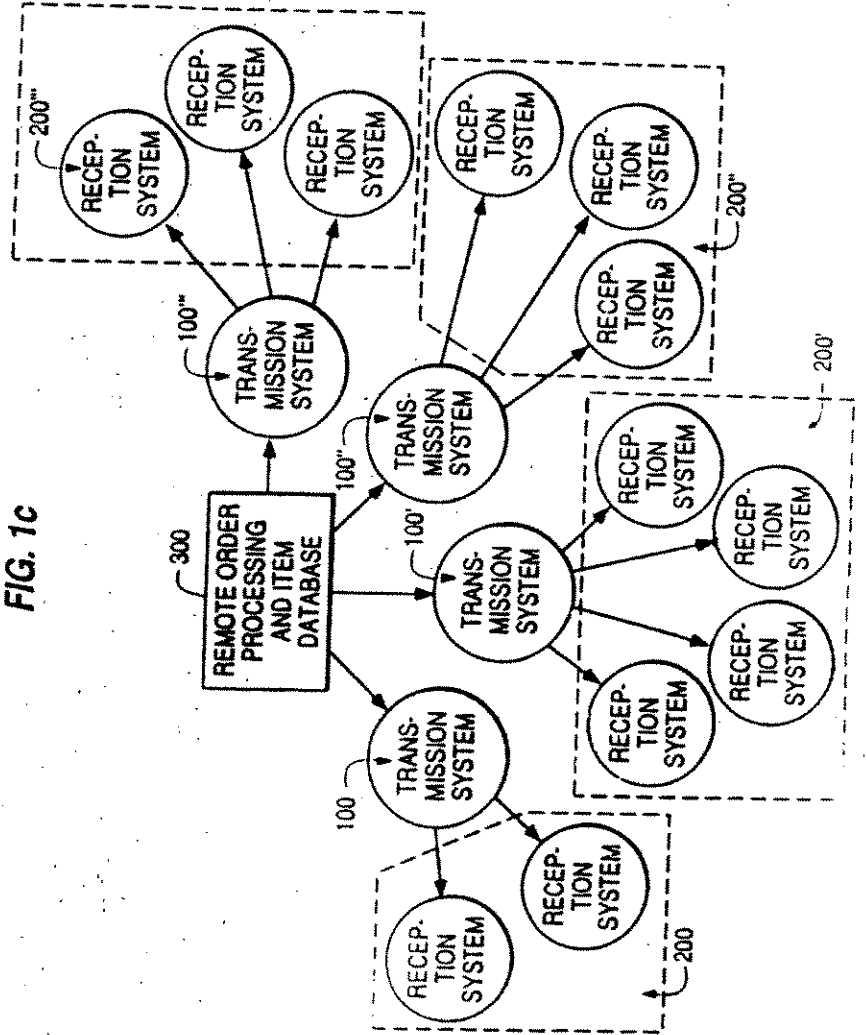


86E240" 25402160  
 86E240" 25402160

APPROVED	O.G. FIG. 7	
BY	CLASS	SUBCLASS
DRAFTSMAN	375	240.01

86E240" 25H02F60  
86E240" 25H02F60

FIG. 1c



APPROVED	O.G. FIG. 7	
BY	CLASS	SUBCLASS
DRAFTSMAN	375	240.01

FIG. 1g

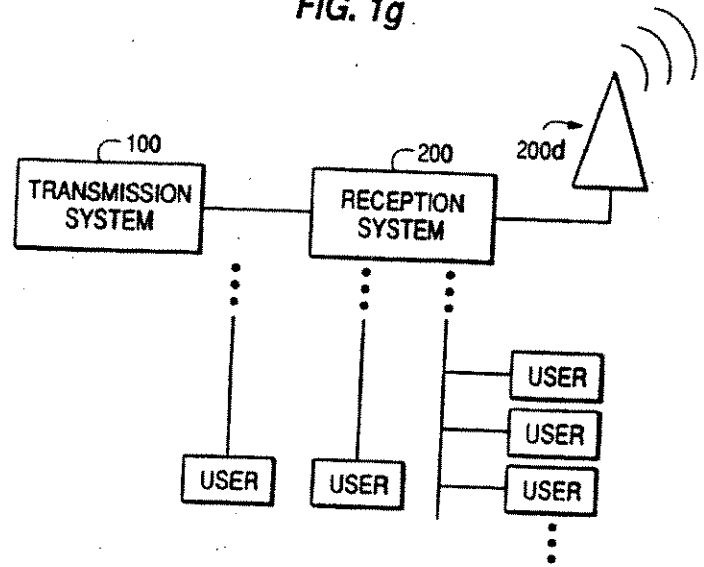
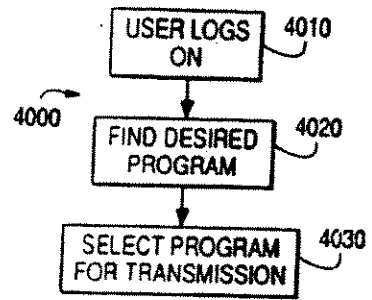


FIG. 4



66227 2510260  
66220 2510260





APPROVED	O.G. FIG. 7	
BY	CLASS	SUBCLASS
DRAFTSMAN	375	240.01

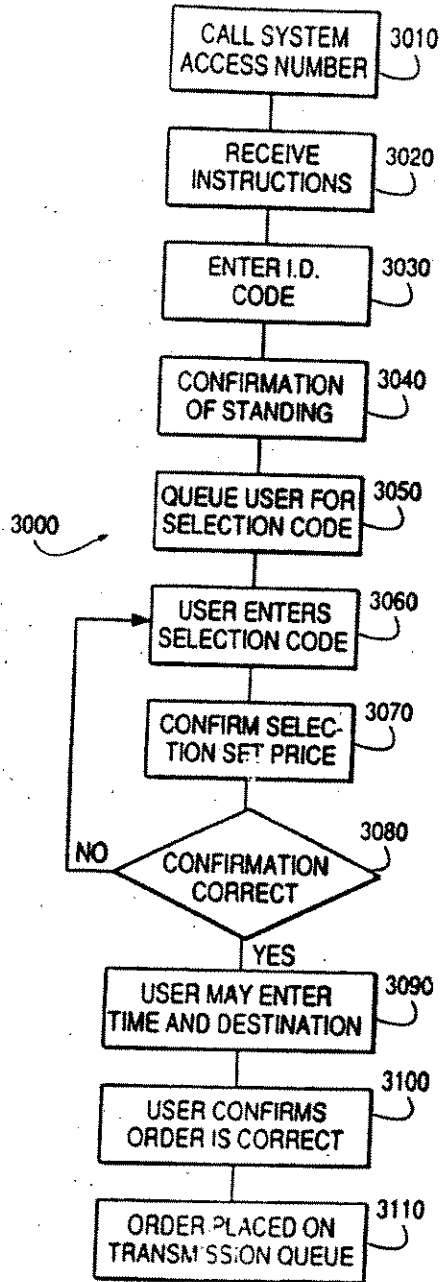
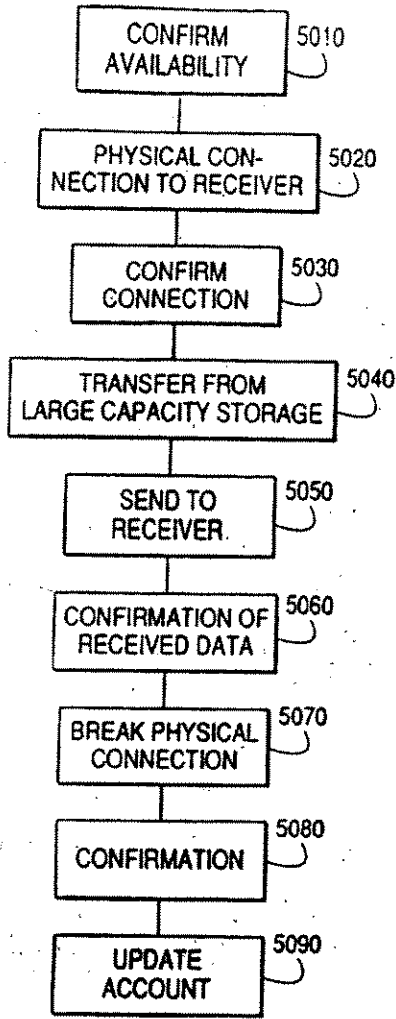


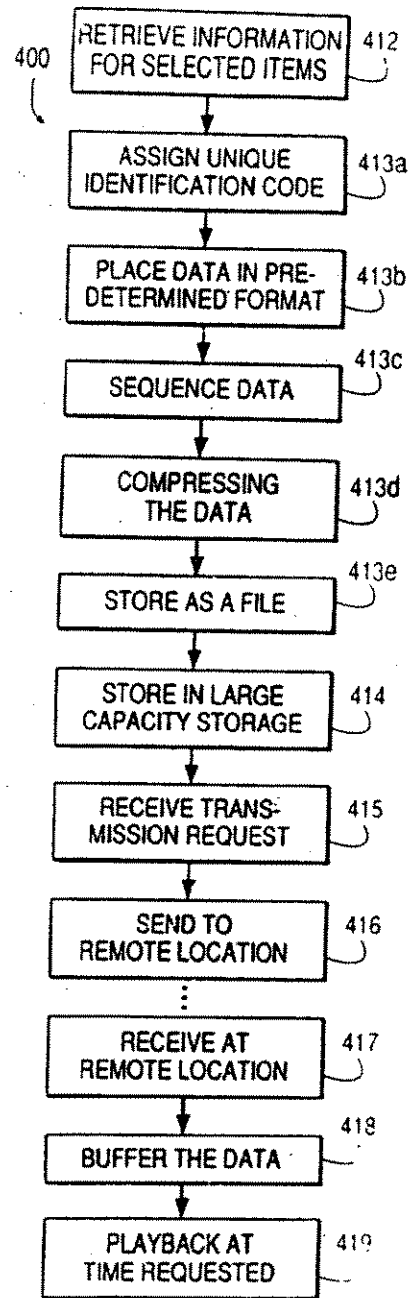
FIG. 3

86240" 25402100

APPROVED	O.G. FIG. 7	
BY	CLASS	SUBCLASS
DRAFTSMAN	375	240.01



**FIG. 5**



**FIG. 7**

00220224024700  
 00220224024700

APPROVED	O.G. FIG. 7	
BY	CLASS	SUBCLASS
DRAFTSMAN	375	240.01

66220-25H02F60

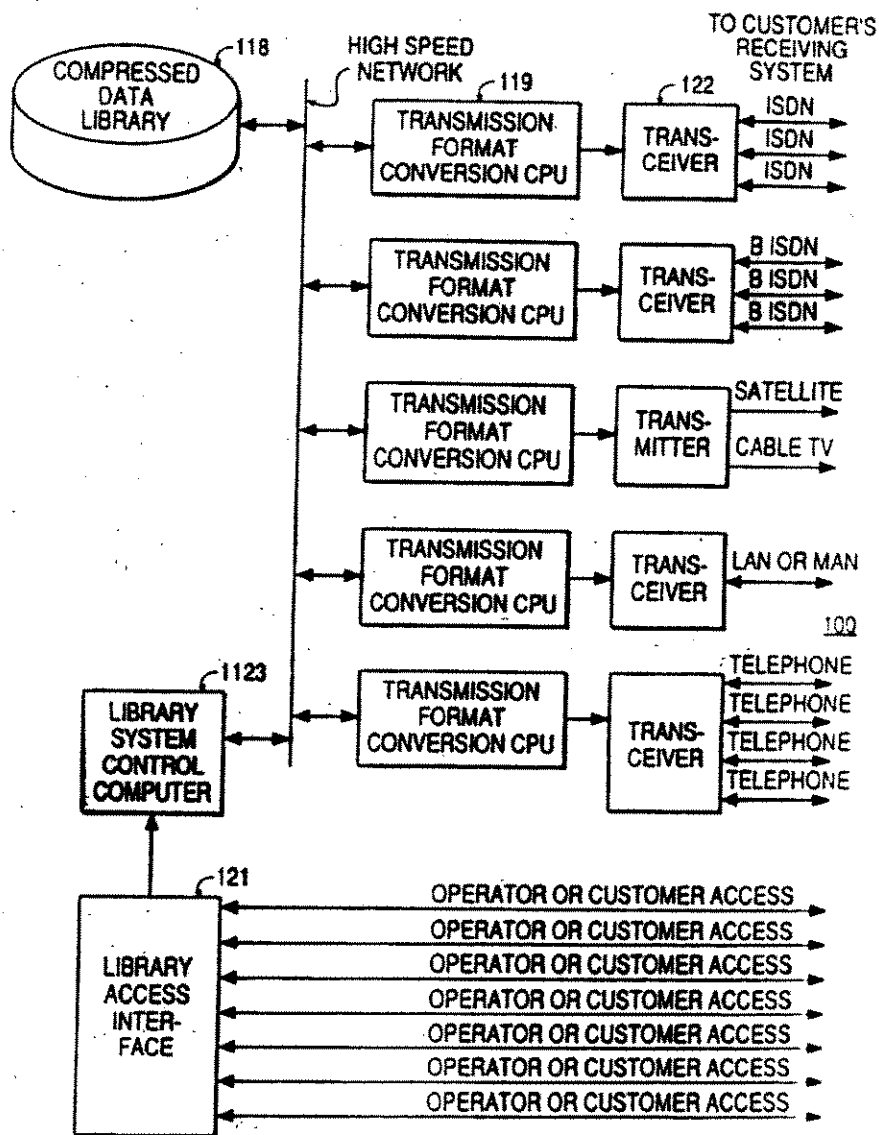


FIG. 2b

APPROVED	O.G. FIG. 7	
BY	CLASS	SUBCLASS
DRAFTSMAN	375	240.10

SECRET  
SECRET

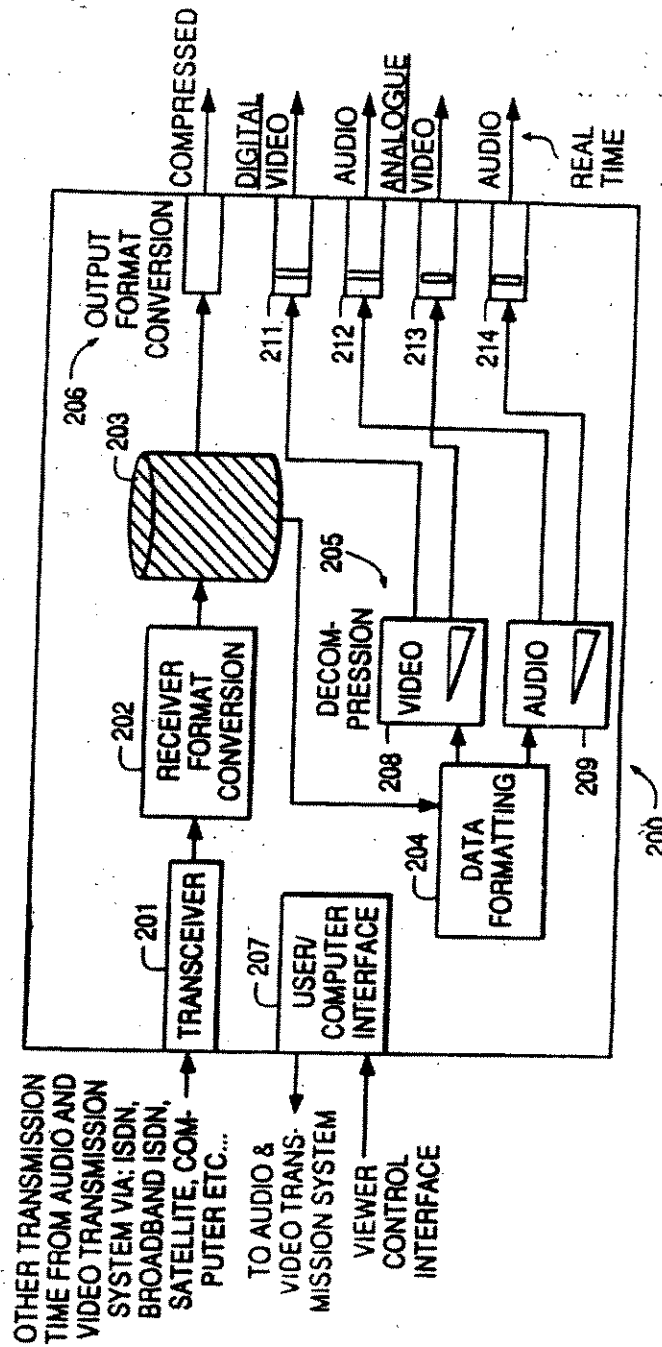
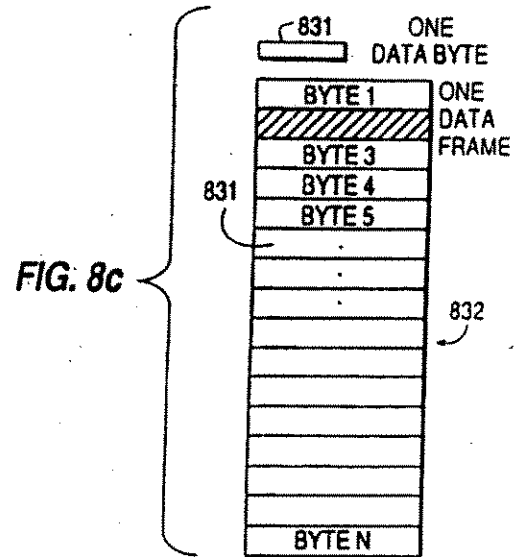
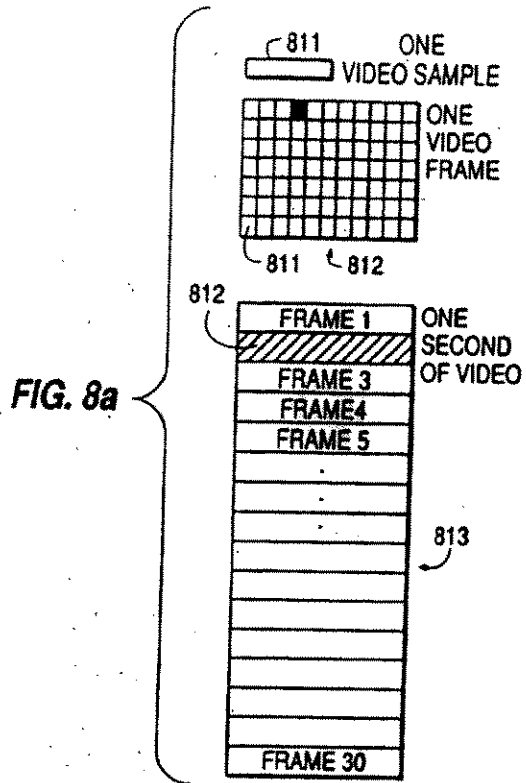


FIG. 6

APPROVED	O.G. FIG. 7	
BY	CLASS	SUBCLASS
DRAFTSMAN	375	240.10



REPRODUCED FROM  
OFFICIAL RECORDS

APPROVED	O.G. FIG. 7	
BY	CLASS	SUBCLASS
DRAFTSMAN	375	240.10

55221 2202150  
 2620" 2202150

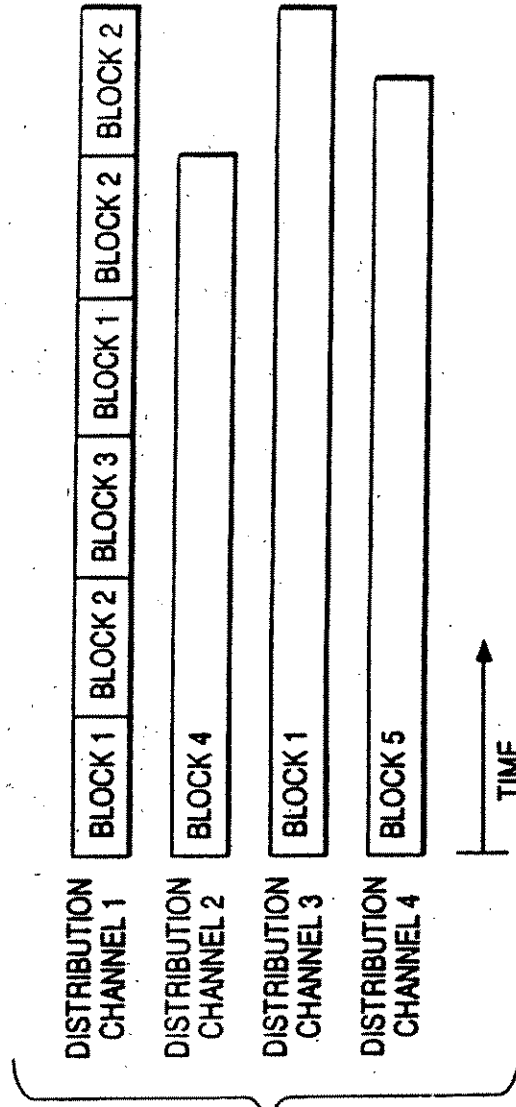


FIG. 8e

86220 25402100  
 86220 25402100

FIG. 8b

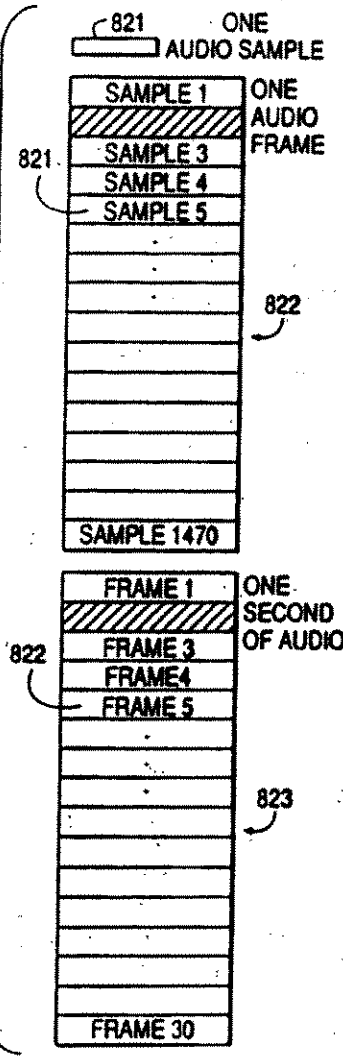
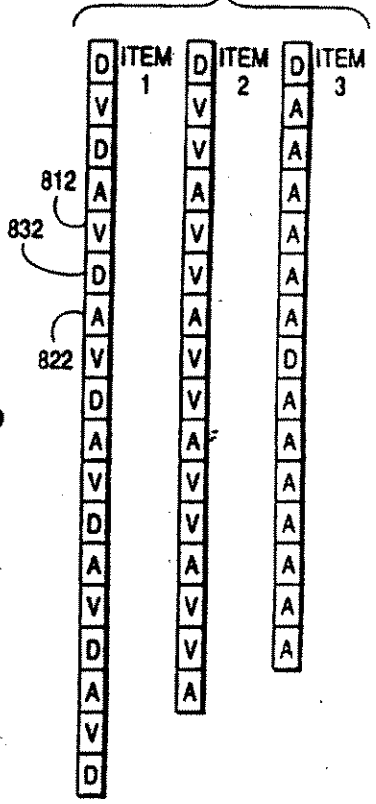


FIG. 8d



# Notice of Allowability

Application No.  
09/120,452

Applicant(s)  
Paul Yurt et al

Examiner  
Amanda T. Le

Group Art Unit  
2734



All claims being allowable, PROSECUTION ON THE MERITS IS (OR REMAINS) CLOSED in this application. If not included herewith (or previously mailed), a Notice of Allowance and Issue Fee Due or other appropriate communication will be mailed in due course.

- This communication is responsive to the amendment filed on 03/23/00
- The allowed claim(s) is/are 33-38, 40-46, 48, 47, 49-72, 74, 73, 75 which are renumbered as 1-42 respectively.
- The drawings filed on Jul 23, 1998 are acceptable.
- Acknowledgement is made of a claim for foreign priority under 35 U.S.C. § 119(a)-(d).
  - All  Some\*  None of the CERTIFIED copies of the priority documents have been
    - received.
    - received in Application No. (Series Code/Serial Number) \_\_\_\_\_
    - received in this national stage application from the International Bureau (PCT Rule 17.2(a)).

\*Certified copies not received: \_\_\_\_\_

- Acknowledgement is made of a claim for domestic priority under 35 U.S.C. § 119(e).

A SHORTENED STATUTORY PERIOD FOR RESPONSE to comply with the requirements noted below is set to EXPIRE **THREE MONTHS** FROM THE "DATE MAILED" of this Office action. Failure to timely comply will result in ABANDONMENT of this application. Extensions of time may be obtained under the provisions of 37 CFR 1.136(a).

- Note the attached EXAMINER'S AMENDMENT or NOTICE OF INFORMAL APPLICATION, PTO-152, which discloses that the oath or declaration is deficient. A SUBSTITUTE OATH OR DECLARATION IS REQUIRED.
- Applicant MUST submit NEW FORMAL DRAWINGS
  - because the originally filed drawings were declared by applicant to be informal.
  - including changes required by the Notice of Draftsperson's Patent Drawing Review, PTO-948, attached hereto or to Paper No. \_\_\_\_\_
  - including changes required by the proposed drawing correction filed on \_\_\_\_\_, which has been approved by the examiner.
  - including changes required by the attached Examiner's Amendment/Comment.

Identifying indicia such as the application number (see 37 CFR 1.84(c)) should be written on the reverse side of the drawings. The drawings should be filed as a separate paper with a transmittal letter addressed to the Official Draftsperson.

- Note the attached Examiner's comment regarding REQUIREMENT FOR THE DEPOSIT OF BIOLOGICAL MATERIAL.

Any response to this letter should include, in the upper right hand corner, the APPLICATION NUMBER (SERIES CODE/SERIAL NUMBER). If applicant has received a Notice of Allowance and Issue Fee Due, the ISSUE BATCH NUMBER and DATE of the NOTICE OF ALLOWANCE should also be included.

### Attachment(s)

- Notice of References Cited, PTO-892
- Information Disclosure Statement(s), PTO-1449, Paper No(s). 16
- Notice of Draftsperson's Patent Drawing Review, PTO-948
- Notice of Informal Patent Application, PTO-152
- Interview Summary, PTO-413
- Examiner's Amendment/Comment
- Examiner's Comment Regarding Requirement for Deposit of Biological Material
- Examiner's Statement of Reasons for Allowance

*Amanda T. Le*

AMANDA T. LE  
PRIMARY EXAMINER  
ART UNIT 2734





UNITED STATES DEPARTMENT OF COMMERCE  
Patent and Trademark Office

**NOTICE OF ALLOWANCE AND ISSUE FEE DUE**

022930 LM02/0601  
HOWREY SIMON ARNOLD & WHITE LLP  
BOX 34  
1299 PENNSYLVANIA AVENUE NW  
WASHINGTON DC 20004

APPLICATION NO.	FILING DATE	TOTAL CLAIMS	EXAMINER AND GROUP ART UNIT	DATE MAILED
09/120,452	07/23/98	042	LE, A	2734 06/01/00
First Named Applicant	YURT,		35 USC 154(b) term ext. =	0 Days.

TITLE OF INVENTION **AUDIO AND VIDEO TRANSMISSION AND RECEIVING SYSTEM**

ATTYS DOCKET NO.	CLASS-SUBCLASS	BATCH NO.	APPLN TYPE	SMALL ENTITY	FEE DUE	DATE DUE
20 02473.0004	375-240.010	N21	UTILITY	NO	\$1210.00	09/01/00

**THE APPLICATION IDENTIFIED ABOVE HAS BEEN EXAMINED AND IS ALLOWED FOR ISSUANCE AS A PATENT. PROSECUTION ON THE MERITS IS CLOSED.**

**THE ISSUE FEE MUST BE PAID WITHIN THREE MONTHS FROM THE MAILING DATE OF THIS NOTICE OR THIS APPLICATION SHALL BE REGARDED AS ABANDONED. THIS STATUTORY PERIOD CANNOT BE EXTENDED.**

**HOW TO RESPOND TO THIS NOTICE:**

I. Review the SMALL ENTITY status shown above.  
If the SMALL ENTITY is shown as YES, verify your current SMALL ENTITY status:

- A. If the status is changed, pay twice the amount of the FEE DUE shown above and notify the Patent and Trademark Office of the change in status, or
- B. If the status is the same, pay the FEE DUE shown above.

If the SMALL ENTITY is shown as NO:

- A. Pay FEE DUE shown above, or
- B. File verified statement of Small Entity Status before, or with, payment of 1/2 the FEE DUE shown above.

II. Part B-Issue Fee Transmittal should be completed and returned to the Patent and Trademark Office (PTO) with your ISSUE FEE. Even if the ISSUE FEE has already been paid by charge to deposit account, Part B Issue Fee Transmittal should be completed and returned. If you are charging the ISSUE FEE to your deposit account, section "4b" of Part B-Issue Fee Transmittal should be completed and an extra copy of the form should be submitted.

III. All communications regarding this application must give application number and batch number. Please direct all communications prior to issuance to Box ISSUE FEE unless advised to the contrary.

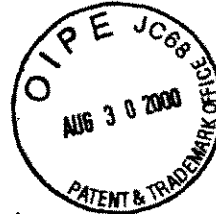
**IMPORTANT REMINDER: Utility patents issuing on applications filed on or after Dec. 12, 1980 may require payment of maintenance fees. It is patentee's responsibility to ensure timely payment of maintenance fees when due.**

PATENT AND TRADEMARK OFFICE COPY



1299 PENNSYLVANIA AVE., NW  
WASHINGTON, DC 20004-2402  
PHONE 202.783.0800  
FAX 202.383.6610  
A LIMITED LIABILITY PARTNERSHIP

August 30, 2000



Assistant Commissioner for Patents  
Washington, D.C. 20231

Re: U.S. Allowed Utility Patent Application  
Appl. No. 09/120,452; Filed: July 23, 1998  
For: **Audio and Video Transmission  
and Receiving System**  
Inventor(s): Yurt *et al.*  
Our Ref: 03047.0006.00US04

Attn. *Box Issue Fee  
Batch No. N21*

Dear Sir:

In response to the **Notice of Allowance and Issue Fee Due** dated **June 01, 2000**, the following documents are forwarded for appropriate action by the U.S. Patent and Trademark Office:

1. Issue Fee Transmittal (Form PTOL-85B);
2. Return postcard; and
3. Our Check No. 334716 for \$1240.00 to cover:  
\$1210.00 Issue Fee; and  
\$30 Ten (10) advance copies of patent.

It is respectfully requested that the attached postcard be stamped with the date of filing of these documents, and that it be returned to our courier.

The U.S. Patent and Trademark Office is hereby authorized to charge any fee deficiency, or credit any overpayment, to our Deposit Account No. 08-3038 referencing docket number 03047.0006.00US04. If extensions of time under 37 C.F.R. § 1.136 other than those otherwise provided for herewith are required to prevent abandonment of the present patent application, then such extensions of time are hereby petitioned, and any fees therefor are hereby authorized to be charged to our Deposit Account No. 08-3038 referencing docket number 03047.0006.00US04. A duplicate copy of this letter is enclosed.

Respectfully submitted,

Derek J. Jardieu (Reg. No. 44,483)

DJJ:mr

Enclosures

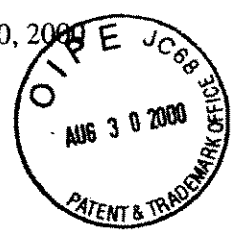
09120452-072398

J.M



1299 PENNSYLVANIA AVE., NW  
WASHINGTON, DC 20004-2402  
PHONE 202.783.0800  
FAX 202.383.6610  
A LIMITED LIABILITY PARTNERSHIP

August 30, 2000



Assistant Commissioner for Patents  
Washington, D.C. 20231

Re: U.S. Allowed Utility Patent Application  
Appl. No. 09/120,452; Filed: July 23, 1998  
For: **Audio and Video Transmission  
and Receiving System** *Attn. Box Issue Fee  
Batch No. N21*  
Inventor(s): Yurt *et al.*  
Our Ref: 03047.0006.00US04

09120452-072398  
065220-2540160

Dear Sir:

In response to the **Notice of Allowance and Issue Fee Due** dated **June 01, 2000**, the following documents are forwarded for appropriate action by the U.S. Patent and Trademark Office:

1. Issue Fee Transmittal (Form PTOL-85B);
2. Return postcard; and
3. Our Check No. 334716 for \$1240.00 to cover:  
\$1210.00 Issue Fee; and  
\$30 Ten (10) advance copies of patent.

It is respectfully requested that the attached postcard be stamped with the date of filing of these documents, and that it be returned to our courier.

The U.S. Patent and Trademark Office is hereby authorized to charge any fee deficiency, or credit any overpayment, to our Deposit Account No. 08-3038 referencing docket number 03047.0006.00US04. If extensions of time under 37 C.F.R. § 1.136 other than those otherwise provided for herewith are required to prevent abandonment of the present patent application, then such extensions of time are hereby petitioned, and any fees therefor are hereby authorized to be charged to our Deposit Account No. 08-3038 referencing docket number 03047.0006.00US04. A duplicate copy of this letter is enclosed.

Respectfully submitted,

Derek J. Jardieu (Reg. No. 44,483)

DJJ:mr

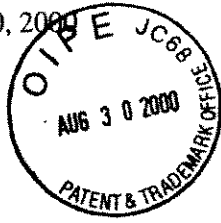
Enclosures

J.M



1299 PENNSYLVANIA AVE., NW  
WASHINGTON, DC 20004-2402  
PHONE 202.783.0800  
FAX 202.383.6610  
A LIMITED LIABILITY PARTNERSHIP

August 30, 2000



Assistant Commissioner for Patents  
Washington, D.C. 20231

Re: U.S. Allowed Utility Patent Application  
Appl. No. 09/120,452; Filed: July 23, 1998  
For: **Audio and Video Transmission  
and Receiving System** *Attn. Box Issue Fee  
Batch No. N21*  
Inventor(s): Yurt *et al.*  
Our Ref: 03047.0006.00US04

Dear Sir:

09120452-072398  
09120452-072398

In response to the **Notice of Allowance and Issue Fee Due** dated **June 01, 2000**, the following documents are forwarded for appropriate action by the U.S. Patent and Trademark Office:

1. Issue Fee Transmittal (Form PTOL-85B);
2. Return postcard; and
3. Our Check No. 334716 for \$1240.00 to cover:  
\$1210.00 Issue Fee; and  
\$30 Ten (10) advance copies of patent.

It is respectfully requested that the attached postcard be stamped with the date of filing of these documents, and that it be returned to our courier.

The U.S. Patent and Trademark Office is hereby authorized to charge any fee deficiency, or credit any overpayment, to our Deposit Account No. 08-3038 referencing docket number 03047.0006.00US04. If extensions of time under 37 C.F.R. § 1.136 other than those otherwise provided for herewith are required to prevent abandonment of the present patent application, then such extensions of time are hereby petitioned; and any fees therefor are hereby authorized to be charged to our Deposit Account No. 08-3038 referencing docket number 03047.0006.00US04. A duplicate copy of this letter is enclosed.

Respectfully submitted,

Derek J. Jardieu (Reg. No. 44,483)

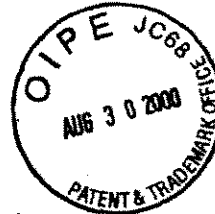
DJJ:mr

Enclosures



1299 PENNSYLVANIA AVE., NW  
WASHINGTON, DC 20004-2402  
PHONE 202 783.0800  
FAX 202.383.6610  
A LIMITED LIABILITY PARTNERSHIP

August 30, 2000



Assistant Commissioner for Patents  
Washington, D.C. 20231

Re: U.S. Allowed Utility Patent Application  
Appl. No. 09/120,452; Filed: July 23, 1998  
For: **Audio and Video Transmission  
and Receiving System** *Attn. Box Issue Fee  
Batch No. N21*  
Inventor(s): Yurt *et al.*  
Our Ref: 03047.0006.00US04

Dear Sir:

In response to the **Notice of Allowance and Issue Fee Due** dated **June 01, 2000**, the following documents are forwarded for appropriate action by the U.S. Patent and Trademark Office:

1. Issue Fee Transmittal (Form PTOL-85B);
2. Return postcard; and
3. Our Check No. 334716 for \$1240.00 to cover:  
\$1210.00 Issue Fee; and  
\$30 Ten (10) advance copies of patent.

It is respectfully requested that the attached postcard be stamped with the date of filing of these documents, and that it be returned to our courier.

The U.S. Patent and Trademark Office is hereby authorized to charge any fee deficiency, or credit any overpayment, to our Deposit Account No. 08-3038 referencing docket number 03047.0006.00US04. If extensions of time under 37 C.F.R. § 1.136 other than those otherwise provided for herewith are required to prevent abandonment of the present patent application, then such extensions of time are hereby petitioned, and any fees therefor are hereby authorized to be charged to our Deposit Account No. 08-3038 referencing docket number 03047.0006.00US04. A duplicate copy of this letter is enclosed.

Respectfully submitted,

Derek J. Jardieu (Reg. No. 44,483)

DJJ:mr

Enclosures

09120452.072398

IN THE UNITED STATES PATENT AND TRADEMARK OFFICE

In re application of:

Paul YURT *et al.*

Appln. No.: 09/120,452

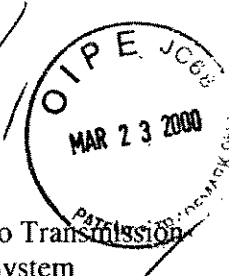
Filed: July 23, 1998

For: Audio and Video Transmission  
and Receiving System

Art Unit: 2734

Examiner: Le, A.

Atty. Docket: 03047.0006.US04



#16

RECEIVED  
MAR 29 2000  
TC 2700 MAIL ROOM

**Third Supplemental Information Disclosure Statement**

Assistant Commissioner for Patents  
Washington, DC 20231

Sir:

Listed on accompanying Form PTO-1449 are documents that may be considered material to the examination of this application, in compliance with the duty of disclosure requirements of 37 C.F.R. §§ 1.56, 1.97 and 1.98. The numbering on this Third Supplemental Information Disclosure Statement is a continuation of the numbering in Applicants' Second Supplemental Information Disclosure Statement filed on August 6, 1999, in connection with the above-captioned application.

Where the publication date of a listed document does not provide a month of publication, the year of publication of the listed document is sufficiently earlier than the effective U.S. filing date and any foreign priority date so that the month of publication is not in issue. Applicants have listed publication dates on the attached PTO-1449 based on information presently available to the undersigned. However, the listed publication dates should not be construed as an admission that the information was actually published on the date indicated.

Applicants reserve the right to establish the patentability of the claimed invention over any of the information provided herewith, and/or to prove that this information may not be prior

09120452.072398

03/24/2000 KZWDIE 0000062 09120452 240.00 0P  
01 FC:126

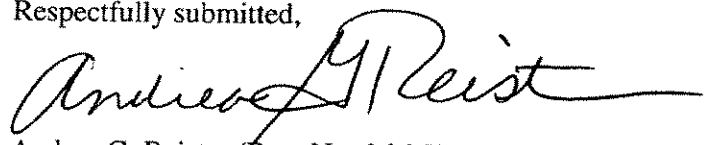
art, and/or to prove that this information may not be enabling for the teachings purportedly offered.

This statement should not be construed as a representation that a search has been made, or that information more material to the examination of the present patent application does not exist. The Examiner is specifically requested not to rely solely on the material submitted herewith. It is further understood that the Examiner will consider information that had been cited by or submitted to the U.S. Patent and Trademark Office in a prior application relied on under 35 U.S.C. § 120. 1138 OG 37, 38 (May 19, 1992).

Consideration of the cited documents and making the same of record in the prosecution of the above-identified application is respectfully requested.

This Information Disclosure Statement is being filed after the mailing date of the first Office Action on the merits, but before the mailing date of a Final Rejection or Notice of Allowance. The statutory fee of \$240.00 in payment of the fee under 37 C.F.R. § 1.17(p) is included in attached Howrey Simon Arnold & White Check No. 325541. The U.S. Patent and Trademark Office is hereby authorized to charge any fee deficiency, or credit any overpayment, to our Deposit Account No. 08-3038.

Respectfully submitted,

  
Andrea G. Reister (Reg. No. 36,253)

Date: March 23, 2000

HOWREY SIMON ARNOLD & WHITE, LLP  
Box No. 34  
1299 Pennsylvania Avenue, N.W.  
Washington, D.C. 20004-2402  
(202) 783-0800

08330250250250

**HOBREY SIMON ARNOLD & WHITE, LLP**  
**Box No. 34**  
**1299 Pennsylvania Avenue, N.W.**  
**Washington, D.C. 20004-2402**  
**(202) 783-0800**

FORM PTO-1083

Attorney Docket No. 03047.0006.US04

In re application of *Yurt et al.*  
 Appl. No. 09/120,452

Filed: July 23, 1998

For: **Audio and Video Transmission and Receiving System**

THE ASSISTANT COMMISSIONER FOR PATENTS  
 Washington, D.C. 20231



**RECEIVED**  
**MAR 29 2000**  
**TC 2100 MAIL ROOM**

Sir:

Transmitted herewith is an amendment in the above-identified application.

Small entity status of this application under 37 CFR §§ 1.9 and 1.27 has been established by a statement previously submitted.  
 A statement to establish small entity status under 37 CFR §§ 1.9 and 1.27 is enclosed.  
 xx No additional claim fee is required.

The claim fee has been calculated as shown below:

	(Col. 1)		(Col. 2)	(Col. 3)	SMALL ENTITY		OTHER THAN A SMALL ENTITY	
	Claims Remaining After Amendment		Highest No. Previously Paid For	Present Extra	Rate	Addit. Fee	Rate	Addit. Fee
Total Claims	* 42	MINUS	** 43	= 0	x 9 =	\$ 00.00	x 18 =	\$ 00.00
Indep. Claims	* 3	MINUS	** 3	= 0	x 39 =	\$ 00.00	x 78 =	\$ 00.00
<input type="checkbox"/> FIRST PRESENTATION OF MULTIPLE DEPENDENT CLAIM					+130 =	\$ 00.00	+ 260 =	\$ 00.00
					<b>Total Addit. Fee</b>	<b>\$ 00.00</b>	<b>TOTAL</b>	<b>\$ 00.00</b>

- \* If the entry in Col. 1 is less than the entry in Col. 2, write "0" in Col. 3.
  - \*\* If the "Highest Number Previously Paid For" IN THIS SPACE is less than 20, write "20" in this space.
  - \*\*\* If the "Highest Number Previously Paid For" IN THIS SPACE is less than 3, write "3" in this space.
- The "Highest Number Previously Paid For" (Total or Independent) is the highest number found from the equivalent box in Col. 1 of a prior amendment or the number of claims originally filed.

Please charge my Deposit Account No. 08-3038 in the amount of \$ \* referencing docket number \*. A duplicate copy of this sheet is attached.

Check number \* in the amount of \$ \*.00 is attached.

xx The U.S. Patent and Trademark Office is hereby authorized to charge payment of the following fees associated with this communication or credit any overpayment to Deposit Account No. 08-3038 referencing docket number 03047.0006.US04. A duplicate copy of this sheet is attached.

- xx Any filing fees under 37 CFR § 1.16 for the presentation of extra claims.
- xx Any patent application processing fees under 37 CFR § 1.17.

Date: March 23, 2000

Andrea G. Reister (Reg. No. 36,253)



FORM PTO-1449  
INFORMATION DISCLOSURE STATEMENT

ATTY. DOCKET NO. 03047.0006.US

APPLICATION NO. 09/120,452

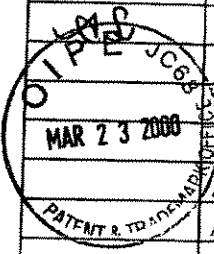
APPLICANT YURT *et al.*

FILING DATE July 23, 1998

GROUP 2734

U.S. PATENT DOCUMENTS

EXAMINER INITIALS	REF. NO.	DOCUMENT NUMBER	GRANT DATE	NAME	CLASS	SUB-CLASS	FILING DATE
	AH7	5,995,705	11/1999	Lang	—	—	
	AB1						
	CAC1						
	SAD1						
	AE1						
	AF1						
	AG1						
	AH1						
	AI1						
	AJ1						
	AK1						



RECEIVED  
 MAR 29 2000  
 TC 2100 MAIL ROOM

FOREIGN PATENT DOCUMENTS

EXAMINER INITIALS	REF. NO.	DOCUMENT NUMBER	DATE	COUNTRY	CLASS	SUB-CLASS	TRANSLATION
	AL1						Yes No
	AM1						Yes No
	AN1						Yes No
	AO1						Yes No
	AP1						Yes No

0120452-072300

EXAMINER INITIALS	REF. NO.	OTHER (Including Author, Title, Date, Pertinent Pages, etc.)
	AS 1	
	AT 1	

EXAMINER *Amandafe* DATE CONSIDERED *05-29-00*

**EXAMINER:** Initial if reference considered, whether or not citation is in conformance with MPEP 609. Draw line through citation if not in conformance and not considered. Include copy of this form with next communication to Applicant.

IN THE UNITED STATES PATENT AND TRADEMARK OFFICE

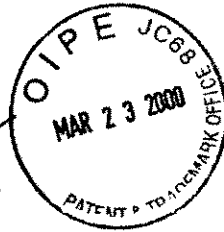
In re application of:

YURT *et al.*

Appl. No. 09/120,452

Filed: July 23, 1998

For: Audio and Video Transmission and Receiving System



Art Unit: 2734

Examiner: Le, A.

Atty. Docket: 03047.0006.US04

15  
C  
3-29-00  
RECEIVED  
MAR 29 2000  
MAIL ROOM

Reply and Amendment Under 37 C.F.R. § 1.111

Assistant Commissioner for Patents  
Washington, D.C. 20231

Sir:

In response to the Office Action dated January 24, 2000 (PTO Prosecution File Wrapper Paper No. 14), Applicants submit the following Remarks.

It is not believed that extensions of time or fees for net addition of claims are required beyond those that may otherwise be provided for in documents accompanying this paper.

However, if additional extensions of time are necessary to prevent abandonment of this application, then such extensions of time are hereby petitioned under 37 C.F.R. § 1.136(a), and any fees required therefor (including fees for net addition of claims) are hereby authorized to be charged to our Deposit Account No. 08-3038.

09120452.072399

**Amendments**

Please cancel claim 39 without prejudice to or disclaimer of the subject matter contained therein. Please amend claims 33 and 40 as follows.

1 ~~35~~. (Twice Amended) A communication system comprising:

a transmission system at a first location in data communication with a reception system at a second location, wherein said transmission system comprises

a sequence encoder,

an identification encoder, and

a compressed data library in data communication with said identification encoder, wherein said identification encoder gives items in said compressed data library a unique identification code; and

wherein said reception system comprises

a transceiver in data communication with said transmission system,

a storage device in data communication with said transceiver,

user playback controls in data communication with said storage device,

a digital decompressor in data communication with said storage device, and

a playback device in data communication with said digital decompressor.

09120452-072398

Claim 40, line 1, please delete "39" and substitute therefor -33-.

**Remarks**

Based on the following Remarks, Applicants respectfully request that the Examiner reconsider all outstanding objections and rejections and they be withdrawn.

Upon entry of the foregoing amendment, claims 33-38 and 40-75 are currently pending in the application, with claims 33, 50 and 60 being the independent claims. The Examiner has indicated that claims 50-75 are allowed. The Examiner has also indicated that claims 38-40 would be allowable if rewritten in independent form or to otherwise include all of the limitations of the base claim and any intervening claims. Without conceding the propriety of the rejection, independent claim 33 has been amended herein to include the limitation of canceled claim 39, thereby placing independent claim 33 in allowable form. Claim 40 has been amended herein to depend from claim 33. All of rejected claims 34-37 and 41-49 depend directly or indirectly from allowable claim 33, rendering them allowable as well. Accordingly, Applicants respectfully submit that all of pending claims 33-38 and 40-75 are either allowed or in allowable form.

86220 25102150

***Rejection Under 35 U.S.C. § 102***

The Examiner has rejected claims 33-37 and 41-49 under 35 U.S.C. § 102(b) as being anticipated by U.S. Patent No. 4,506,387 to Walter ("the Walter patent"). Independent claim 33 has been amended herein, thereby rendering this rejection moot. The amendment herein places independent claim 33, and claims 34-37 and 41-49 depending directly or indirectly therefrom, in allowable form.

***Conclusion***

All of the stated grounds of objection and rejection have been properly traversed, accommodated, or rendered moot. Applicants therefore respectfully request that the Examiner reconsider all presently outstanding objections and rejections and that they be withdrawn. Applicants believe that a full and complete response has been made to the outstanding Office Action and, as such, the present application is in condition for allowance. If the Examiner

C.

believes, for any reason, that personal communication will expedite prosecution of this application, the Examiner is invited to telephone the undersigned at the number provided.

Prompt and favorable consideration of this Amendment is respectfully requested.

Respectfully submitted,



Andrea G. Reister (Reg. No. 36,253)

Date: March 23, 2000

862220 25102160

HOWREY SIMON ARNOLD & WHITE, LLP  
Box No. 34  
1299 Pennsylvania Avenue, N.W.  
Washington, D.C. 20004-2402  
(202) 783-0800

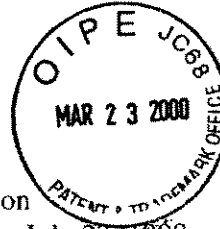
C

**HOWREY & SIMON**

GP - 2734\$  
Attorneys at Law  
1299 Pennsylvania Ave., NW  
Washington, DC 20004-2402  
(202) 783-0800  
FAX (202) 383-6610

March 23, 2000

Assistant Commissioner for Patents  
Washington, D.C. 20231



Andrea G. Reister  
(202) 383-7438  
reistera@howrey.com

RECEIVED  
MAR 29 2000  
MAIL ROOM

Re: U.S. Utility Patent Application  
Appl. No. 09/120,452; Filed: July 23, 1998  
For: **Audio and Video Transmission and  
Receiving System**  
Inventors: Yurt *et al.*  
Our Ref.: 03047.0006.US04

Sir:

Transmitted herewith for appropriate action by the U.S. Patent and Trademark Office (PTO) are the following documents:

09120452.072398  
0622025402160

1. PTO-1083 (in duplicate);
2. Reply and Amendment Under 37 C.F.R. § 1.111;
3. Third Supplemental Information Disclosure Statement (IDS);
4. Form PTO-1449 and one cited document;
5. Check No. 325541 for payment of the IDS filing fee; and
6. Return post card receipt.

It is respectfully requested that the attached postcard be stamped with the date of filing of these documents, and that it be returned to our courier. In the event that extensions of time are necessary to prevent abandonment of this patent application, then such extensions of time are hereby petitioned.

The U.S. Patent and Trademark Office is hereby authorized to charge any fee deficiency, or credit any overpayment, to our Deposit Account No. 08-3038 referencing docket number 03047.0006.US04. A duplicate copy of this letter is enclosed.

Respectfully submitted,

*Andrea G. Reister*  
Andrea G. Reister (Reg. No. 36,253)

Enclosures

Washington, DC

Los Angeles

Silicon Valley



**UNITED STATES DEPARTMENT OF COMMERCE  
Patent and Trademark Office**

Address: COMMISSIONER OF PATENTS AND TRADEMARKS  
Washington, D.C. 20231

*ML*

APPLICATION NO.	FILING DATE	FIRST NAMED INVENTOR	ATTORNEY DOCKET NO.
-----------------	-------------	----------------------	---------------------

09/120,452	07/23/98	YURT	P 02473.0004
------------	----------	------	--------------

EXAMINER

LM01/0124

HOWREY & SIMON  
BOX NO. 34  
1299 PENNSYLVANIA AVENUE, NW  
WASHINGTON DC 20004-2402

ART UNIT	PAPER NUMBER
----------	--------------

LEA

2734  
DATE MAILED:

*14*  
01/24/00

**Please find below and/or attached an Office communication concerning this application or proceeding.**

Commissioner of Patents and Trademarks

09/120,452

Office Action Summary

Application No. 09/120,452

Applicant(s) Paul Yurt et al

Examiner Amanda T. Le

Group Art Unit 2734



Responsive to communication(s) filed on Nov 12, 1999

This action is FINAL.

Since this application is in condition for allowance except for formal matters, prosecution as to the merits is closed in accordance with the practice under Ex parte Quayle, 1935 C.D. 11; 453 O.G. 213.

A shortened statutory period for response to this action is set to expire 3 month(s), or thirty days, whichever is longer, from the mailing date of this communication. Failure to respond within the period for response will cause the application to become abandoned. (35 U.S.C. § 133). Extensions of time may be obtained under the provisions of 37 CFR 1.136(a).

Disposition of Claims

Claim(s) 33-75 is/are pending in the application

Of the above, claim(s) is/are withdrawn from consideration.

Claim(s) 50-75 is/are allowed.

Claim(s) 33-37 and 41-49 is/are rejected.

Claim(s) 38-40 is/are objected to.

Claims are subject to restriction or election requirement.

Application Papers

See the attached Notice of Draftsperson's Patent Drawing Review, PTO-948.

The drawing(s) filed on is/are objected to by the Examiner.

The proposed drawing correction, filed on is  approved  disapproved.

The specification is objected to by the Examiner.

The oath or declaration is objected to by the Examiner.

Priority under 35 U.S.C. § 119

Acknowledgement is made of a claim for foreign priority under 35 U.S.C. § 119(a)-(d).

All  Some\*  None of the CERTIFIED copies of the priority documents have been received.

received in Application No. (Series Code/Serial Number)

received in this national stage application from the International Bureau (PCT Rule 17.2(a)).

\*Certified copies not received:

Acknowledgement is made of a claim for domestic priority under 35 U.S.C. § 119(e).

Attachment(s)

Notice of References Cited, PTO-892

Information Disclosure Statement(s), PTO-1449, Paper No(s).

Interview Summary, PTO-413

Notice of Draftsperson's Patent Drawing Review, PTO-948

Notice of Informal Patent Application, PTO-152

--- SEE OFFICE ACTION ON THE FOLLOWING PAGES ---



Art Unit: 2734

1. This Office Action is responsive to the communication filed on 11/12/99. Claims 33-75 are pending.

*Response to Arguments*

2. Applicant's arguments with respect to claims 33-37, 41-49 have been considered but are moot in view of the new ground(s) of rejection.

*Claim Rejections - 35 USC § 102*

3. The following is a quotation of the appropriate paragraphs of 35 U.S.C. 102 that form the basis for the rejections under this section made in this Office action:

A person shall be entitled to a patent unless --

(b) the invention was patented or described in a printed publication in this or a foreign country or in public use or on sale in this country, more than one year prior to the date of application for patent in the United States

4. Claims 33-37, 41-49 are rejected under 35 U.S.C. 102(b) as being anticipated by Walter (4,506,387, PTO-1449 filed on 02/10/99).

Walter (Fig. 1) discloses the following claimed limitations: "transmission system" (12), "reception system" (14), "compressed data library" (24-34, col. 2, lines 17-18, col. 7, lines 26-27), "transceiver" (134), "storage device" (102, col. 7, lines 9-11, col. 8, lines 12-13), "user playback control" (112, col. 1, lines 44-45, col. 8, lines 21-30), "digital decompressor" (112, col. 7, line 30), "playback device" (146), "user request interface" (140), "output converter" (120), "format converter"

09120452-072398

Art Unit: 2734

(116). Walter's disclosure that "each memory device is identifiable by a respective address signal" (col. 2, lines 32-33) inherently teaches the "identification encoder" which "give items in said compressed data library a unique identification code."

*Allowable Subject Matter*

5. Claims 38-40 are objected to as being dependent upon a rejected base claim, but would be allowable if rewritten in independent form including all of the limitations of the base claim and any intervening claims.
6. Claims 50-75 are allowed.

*Conclusion*

**Any response to this action should be mailed to:**

Commissioner of Patents and Trademarks  
Washington, D.C. 20231

**or faxed to:**

(703) 308-9051, (for formal communications intended for entry)

**Or:**

(703) 308-6743, (for informal or draft communications, please label "PROPOSED" or "DRAFT")

09/120,452

Art Unit: 2734

Hand-delivered responses should be brought to Crystal Park II, 2121 Crystal Drive, Arlington, VA  
Sixth Floor (Receptionist).

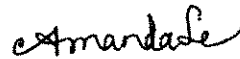
Any inquiry concerning this communication or earlier communications from the examiner should be directed to Amanda Le, whose telephone number is (703) 305-4769. The Examiner can normally be reached on Tuesday-Friday from 8:00 A.M. - 5:30 P.M. The examiner can also be reached on alternate Monday.

If attempts to reach the examiner by telephone are unsuccessful, the examiner's supervisor, Stephen Chin, can be reached on (703) 305-4714.

Any inquiry of a general nature or relating to the status of this application should be directed to the Group receptionist whose telephone number is (703) 305-4900.

09120452.072398  
062202510160

January 19, 2000



Amanda T. Le  
Primary Patent Examiner

IN THE UNITED STATES PATENT AND TRADEMARK OFFICE

In re application of:

YURT *et al.*

Appl. No. 09/120,452

Filed: July 23, 1998

For: Audio and Video Transmission and Receiving System



Art Unit: 2734

Examiner: Le, A.

Atty. Docket: 03047.0006.HS04

#13 Reg. for Reconsideration 11/16/99 fw

RECEIVED NOV 15 1999 TECH CENTER 2700

Reply Under 37 C.F.R. § 1.111

Assistant Commissioner for Patents  
Washington, D.C. 20231

Sir:

In response to the Office Action dated October 26, 1999 (PTO Prosecution File Wrapper Paper No. 12), Applicants submit the following Remarks.

It is not believed that extensions of time or fees for net addition of claims are required beyond those that may otherwise be provided for in documents accompanying this paper. However, if additional extensions of time are necessary to prevent abandonment of this application, then such extensions of time are hereby petitioned under 37 C.F.R. § 1.136(a), and any fees required therefor (including fees for net addition of claims) are hereby authorized to be charged to our Deposit Account No. 08-3038.

09120452.072398

**Remarks**

Reconsideration of this Application is respectfully requested.

Claims 33-75 are currently pending in the application, with 33, 50 and 60 being the independent claims. Based on the following Remarks, Applicants respectfully request that the Examiner reconsider all outstanding objections and rejections and they be withdrawn.

**Rejections Under 35 U.S.C. § 102**

The Examiner has rejected claims 33-75 under 35 U.S.C. § 102(e) as being anticipated by U.S. Patent No. 5,701,582 to DeBey ("the DeBey patent"). Applicants maintain that the rejection based upon the DeBey patent is improper under 35 U.S.C. § 102(e).

The effective filing date for the pending claims is January 7, 1991. Under 35 U.S.C. § 102(e) an issued patent that was filed in the United States prior to the invention by Applicants of the claimed subject matter may be relied upon to show anticipation. The DeBey patent issued from U.S. Application Serial No. 408,440 filed March 22, 1995, which is subsequent to the effective filing date of Applicants' claims. However, the DeBey patent claims priority as a continuation-in-part (CIP) of Ser. No. 173,865 filed December 23, 1993, which is a continuation of Ser. No. 835,947 filed as PCT/AU90/00370 on August 23, 1990, now abandoned. The earliest filing date of August 23, 1990 is apparently relied upon by the Examiner in the Office Action because all other dates in the chain of priority are subsequent to Applicants' effective filing date.

A proper rejection under 35 U.S.C. § 102(e) has not been established for at least the reason that there is no showing in the Office Action that any application in the priority chain filed prior to January 7, 1991 supports the claims of the DeBey patent. "In order to carry back the 35 U.S.C. § 102(e) critical date of the U.S. patent reference to the filing date of a parent application, the parent application must . . . support the invention as required by 35 U.S.C. § 112, first paragraph." MPEP § 2136.03 (citing *In re Wertheim*, 646 F.2d 527, 209 USPQ 554 (CCPA

09120452-072398  
86E2ZD-25402T60

1981)). Even if Ser. No. 835,947 could properly be accorded a filing date of August 23, 1990 for purposes of §102(e) (a premise Applicants dispute as discussed below), there is no showing in the Office Action that Ser. No. 835,947 supports the claims in the DeBey patent. For at least these reasons, a proper rejection under 35 U.S.C. § 102(e) has not, therefore, been established in the Office Action.

Moreover, it has not been demonstrated in the Office Action that the disclosure of the parent application Ser. No. 835,947 includes the subject matter that is applied against the present application to negate patentability under 35 U.S.C. § 102(e). "[W]hen the reference is a continuation-in-part of an earlier filed application . . . and it is necessary to go back to the earlier filing date, the fact that the subject matter relied upon was originally disclosed on that date in the first application should be stated." MPEP § 707.05(e). Applicants submit that since the chain of applications relied upon includes a continuation-in-part application, the disclosure of the issued patent may not be applied under 35 U.S.C. § 102(e) without demonstrating that the subject matter relied upon was disclosed in the application that was filed prior to the effective filing date of Applicants' claims. There is no such support provided. The rejection in the Office Action under 35 U.S.C. § 102(e) includes no demonstration that the subject matter relied upon was disclosed in any application filed prior to January 7, 1991. For this reason as well, a proper rejection under 35 U.S.C. § 102(e) has not been established.

Applicants respectfully submit that the effective filing date for Ser. No. 835,947 is April 2, 1992, after Applicants' priority date of January 7, 1991. Support for this position is contained in U.S. Patent No. 5,421,031 (copy enclosed), which issued as a continuation application of Ser. No. 835,947. Under Related U.S. Application Data on U.S. Patent No. 5,421,031, the U.S. filing date of Ser. No. 835,947 is listed as April 2, 1992.

For at least the foregoing reasons, Applicants respectfully submit that neither U.S. Patent No. 5,701,582 cited by the examiner, nor U.S. Patent No. 5,421,031 qualify as prior art under 35 U.S.C. § 102(e) against the above-captioned application.

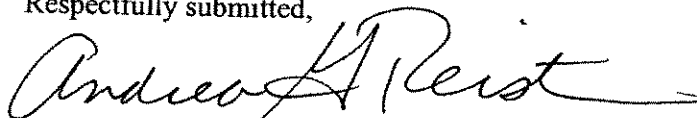
09120452-072308

***Conclusion***

All of the stated grounds of objection and rejection have been properly traversed, accommodated, or rendered moot. Applicants therefore respectfully request that the Examiner reconsider all presently outstanding objections and rejections and that they be withdrawn. Applicants believe that a full and complete response has been made to the outstanding Office Action and, as such, the present application is in condition for allowance. If the Examiner believes, for any reason, that personal communication will expedite prosecution of this application, the Examiner is invited to telephone the undersigned at the number provided.

Prompt and favorable consideration of this Amendment is respectfully requested.

Respectfully submitted,



Andrea G. Reister (Reg. No. 36,253)

Date: November 12, 1999

HOWREY & SIMON  
Box No. 34  
1299 Pennsylvania Avenue, N.W.  
Washington, D.C. 20004-2402  
(202) 783-0800

00120452-03490

682734

**HOWREY & SIMON**

Attorneys at Law  
1299 Pennsylvania Ave., NW  
Washington, DC 20004-2402  
(202) 783-0800  
FAX (202) 383-6610



November 12, 1999

**Andrea G. Reister**  
Of Counsel  
(202) 383-7438  
reistera@howrey.com

RECEIVED  
NOV 15 1999  
TECH CENTER 2700

Assistant Commissioner for Patents  
Washington, DC 20231

Re: U.S. Utility Application No. 09/120,452 ✓  
Filed: July 23, 1998 ✓  
For: Audio and Video Transmission and Receiving System ✓  
Inventors: Paul YURT *et al.*  
Atty. Docket: 03047.0006.US04 ✓

09120452 072398

Sir:

Transmitted herewith for appropriate action by the U.S. Patent and Trademark Office (PTO) are the following documents:

1. Reply Under 37 C.F.R. § 1.111;
2. Copy of U.S. Patent No. 5,421,031; and
3. Return postcard.

It is respectfully requested that the attached postcard be stamped with the date of filing of these documents, and that it be returned to our courier. In the event that extensions of time are necessary to prevent abandonment of this patent application, then such extensions of time are hereby petitioned.

The U.S. Patent and Trademark Office is hereby authorized to charge any fee deficiency, or credit any overpayment, to our Deposit Account No. 08-3038. A duplicate copy of this letter is enclosed.

Sincerely,

Andrea G. Reister (Reg. No. 36,253)

Enclosures



# Notice of References Cited

Application No.  
09/120,452

Applicant(s)  
Paul Yurt et al

Examiner  
Amanda T. Le

Group Art Unit  
2734

Page 1 of 1

## U.S. PATENT DOCUMENTS

	DOCUMENT NO.	DATE	NAME	CLASS	SUBCLASS
A	5,701,582	12/23/97	DeBey	455	5.1
B					
C					
D					
E					
F					
G					
H					
I					
J					
K					
L					
M					

## FOREIGN PATENT DOCUMENTS

	DOCUMENT NO.	DATE	COUNTRY	NAME	CLASS	SUBCLASS
N						
O						
P						
Q						
R						
S						
T						

## NON-PATENT DOCUMENTS

	DOCUMENT (Including Author, Title, Source, and Pertinent Pages)	DATE
U		
V		
W		
X		



**UNITED STATES DEPARTMENT OF COMMERCE  
Patent and Trademark Office**

Address: COMMISSIONER OF PATENTS AND TRADEMARKS  
Washington, D.C. 20231

↓ 0

APPLICATION NO.	FILING DATE	FIRST NAMED INVENTOR	ATTORNEY DOCKET NO.
-----------------	-------------	----------------------	---------------------

09/120,452	07/23/98	YURT	P 02473.0004
------------	----------	------	--------------

LM01/1026

HOWREY & SIMON  
BOX NO. 34  
1299 PENNSYLVANIA AVENUE, NW  
WASHINGTON DC 20004-2402

EXAMINER

LE, A

ART UNIT	PAPER NUMBER
----------	--------------

2734

12

DATE MAILED: 10/26/99

Please find below and/or attached an Office communication concerning this application or proceeding.

Commissioner of Patents and Trademarks

0910452

# Office Action Summary

Application No.  
09/120,452

Applicant(s)  
Paul Yurt et al

Examiner  
Amanda T. Le

Group Art Unit  
2734



Responsive to communication(s) filed on 8/6/99

This action is FINAL.

Since this application is in condition for allowance except for formal matters, prosecution as to the merits is closed in accordance with the practice under *Ex parte Quayle*, 1935 C.D. 11; 453 O.G. 213.

A shortened statutory period for response to this action is set to expire 3 month(s), or thirty days, whichever is longer, from the mailing date of this communication. Failure to respond within the period for response will cause the application to become abandoned. (35 U.S.C. § 133). Extensions of time may be obtained under the provisions of 37 CFR 1.136(a).

### Disposition of Claims

Claim(s) 33-75 is/are pending in the application.

Of the above, claim(s) \_\_\_\_\_ is/are withdrawn from consideration.

Claim(s) \_\_\_\_\_ is/are allowed.

Claim(s) 33-75 is/are rejected.

Claim(s) \_\_\_\_\_ is/are objected to.

Claims \_\_\_\_\_ are subject to restriction or election requirement.

### Application Papers

See the attached Notice of Draftsperson's Patent Drawing Review, PTO-948.

The drawing(s) filed on \_\_\_\_\_ is/are objected to by the Examiner.

The proposed drawing correction, filed on \_\_\_\_\_ is  approved  disapproved.

The specification is objected to by the Examiner.

The oath or declaration is objected to by the Examiner.

### Priority under 35 U.S.C. § 119

Acknowledgement is made of a claim for foreign priority under 35 U.S.C. § 119(a)-(d).

All  Some\*  None of the CERTIFIED copies of the priority documents have been  
 received.

received in Application No. (Series Code/Serial Number) \_\_\_\_\_

received in this national stage application from the International Bureau (PCT Rule 17.2(a)).

\*Certified copies not received: \_\_\_\_\_

Acknowledgement is made of a claim for domestic priority under 35 U.S.C. § 119(e).

### Attachment(s)

Notice of References Cited, PTO-892

Information Disclosure Statement(s), PTO-1449, Paper No(s). 10

Interview Summary, PTO-413

Notice of Draftsperson's Patent Drawing Review, PTO-948

Notice of Informal Patent Application, PTO-152

--- SEE OFFICE ACTION ON THE FOLLOWING PAGES ---

Art Unit: 2734

1. This Office Action is responsive to the amendment filed on 08/06/99 and it is made non-final. Claims 33-75 are pending.

*Response to Arguments*

2. Applicant's arguments with respect to claims 33-37, 41-49 have been considered but are moot in view of the new ground(s) of rejection.
3. The indicated allowability of claims 38-40, 50-59 is withdrawn in view of the newly discovered reference(s) to DeBey. Rejections based on the newly cited reference(s) follow.

*Claim Rejections - 35 USC § 102*

4. The following is a quotation of the appropriate paragraphs of 35 U.S.C. 102 that form the basis for the rejections under this section made in this Office action:

A person shall be entitled to a patent unless --

(e) the invention was described in a patent granted on an application for patent by another filed in the United States before the invention thereof by the applicant for patent, or on an international application by another who has fulfilled the requirements of paragraphs (1), (2), and (4) of section 371(c) of this title before the invention thereof by the applicant for patent.

5. Claims 33-75 are rejected under 35 U.S.C. 102(e) as being anticipated by DeBey.

Regarding claims 33, 38-40, 60, 65-57 DeBey's system for transmissions of programs to multiple users teaches the following claimed subject matters: "compressed data library" (fig. 1, elements 12, 14, 16, 18), "identification encoder" and "sequence encoder" (Fig. 1, elements 12, 20, col. 7, lines 55-61), "transceiver" (Fig. 2, modem 48, col. 7, lines 1-4), "storage device" (Fig. 2,

09120452 25102160

Art Unit: 2734

memory 42, col. 6, lines 45-47), "user playback control" (Fig. 2, controller 52, col. 6, lines 65-67), "digital decompressor" (fig. 2, element 50, col. 6, lines 64-65), "playback device" (Fig. 2, element 44).

Regarding claims 34-36, 61-63, DeBey's disclosure (col. 4, lines 22-27) and media compression system (Fig. 1, element 10) inherently teaches the claimed "source material library," "converter" and "compressor."

Regarding claims 37, 64, DeBey further discloses the claimed "formatting device" (col. 4, lines 52-66).

Regarding claims 41, 68, DeBey further discloses the claimed "transmitter" (Fig. 1, 2, element 24).

Regarding claims 42, 43, 69, DeBey further discloses the claimed "user request interface" (Fig. 2, element 54, col. 7, lines 1-4).

Regarding claim 44, 70, DeBey further teaches the claimed "receiver format converter" (col. 6, lines 50-62).

Regarding claim 45, 71, DeBey further inherently teaches the claimed "output converter" (col. 5, lines 35-43).

Regarding claims 46-49, 72-75, DeBey further teaches the claimed "storage device" (buffer memory 42, col. 11, lines 24-44).

Similar to claims 33-49 above, all the limitations of claims 50-59 are disclosed in the DeBey reference.

09120452.072398

Application/Control Number: 09/120,452

Page 4

Art Unit: 2734

*Conclusion*

6. Any response to this action should be mailed to:

Commissioner of Patents and Trademarks  
Washington, D.C. 20231

or faxed to:

(703) 308-9051, (for formal communications intended for entry)

Or:

(703) 308-6743, (for informal or draft communications, please label  
"PROPOSED" or "DRAFT")

Hand-delivered responses should be brought to Crystal Park II, 2121 Crystal Drive, Arlington VA.,  
Sixth Floor (Receptionist).

Any inquiry concerning this communication or earlier communications from the examiner  
should be directed to Amanda Le, whose telephone number is (703) 305-4769. The Examiner can  
normally be reached on Tuesday-Friday from 8:00 A.M. - 5:30 P.M. The examiner can also be  
reached on alternate Monday.

If attempts to reach the examiner by telephone are unsuccessful, the examiner's supervisor,  
Stephen Chin, can be reached on (703)305-4714.

Any inquiry of a general nature or relating to the status of this application should be directed  
to the Group receptionist whose telephone number is (703) 305-4900.

October 22, 1999

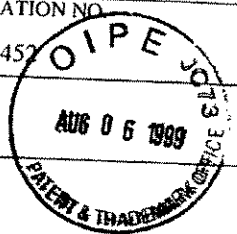
*Amanda Le*

Amanda T. Le  
Primary Patent Examiner

09120452-072308  
3052740-2580160

FORM PTO-1449  
INFORMATION DISCLOSURE STATEMENT

ATTY. DOCKET NO. 03047.0006.US04  
 APPLICATION NO. 09/120,452  
 APPLICANTS Paul YURT *et al.*  
 FILING DATE July 23, 1998  
 GROUP 2734



U.S. PATENT DOCUMENTS

EXAMINER INITIAL	DOCUMENT NUMBER	DATE	NAME	CLASS	SUB-CLASS	FILING DATE
AS	AA2 3,673,318	06/1972	Olsen <i>et al.</i>			
	AB2 3,919,462	11/1975	Hartung <i>et al.</i>			
	AC2 4,245,245	01/1981	Matsumoto <i>et al.</i>			
	AD2 4,280,139	07/1981	Mogi <i>et al.</i>			
	AE2 4,333,110	06/1982	Faerber <i>et al.</i>			
	AF2 4,354,201	10/1982	Sechet <i>et al.</i>			
	AG2 4,488,179	12/1984	Krüger <i>et al.</i>			
	AH2 4,636,876	01/1987	Schwartz			
	AI2 4,734,764	03/1988	Pocock <i>et al.</i>			
	AJ2 4,755,889	07/1988	Schwartz			
AS	AK2 4,792,849	12/1988	McCalley <i>et al.</i>			

FOREIGN PATENT DOCUMENTS

EXAMINER INITIAL	DOCUMENT NUMBER	DATE	COUNTRY	CLASS	SUB-CLASS	TRANSLATION
AS	AL2 83/02208	06/1983	PCT			Abstract Only
	AM2					Yes/No
	AN2					Yes/No
	AO2					Yes/No
	AP2					Yes/No

OTHER (Including Author, Title, Date, Pertinent Pages, etc.)

AS	AR	2	Sandburg, "E-Data Backs Off Patent Claims," <i>The Recorder</i> (April 2, 1999)
	AS	2	
	AT	2	

EXAMINER

*Amandade*

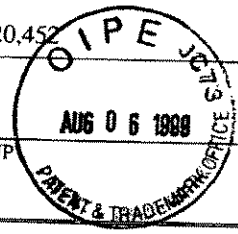
DATE CONSIDERED

10.21.99

EXAMINER: Initial if reference considered, whether or not citation is in conformance with MPEP 609. Draw line through citation if not in conformance and not considered. Include copy of this form with next communication to Applicant.

FORM PTO-1449  
INFORMATION DISCLOSURE STATEMENT

ATTY. DOCKET NO. 03047.0006.US04	APPLICATION NO. 09/120,452
APPLICANTS Paul YURT <i>et al.</i>	
FILING DATE July 23, 1998	GROUP 2734



U.S. PATENT DOCUMENTS

EXAMINER INITIAL	DOCUMENT NUMBER	DATE	NAME	CLASS	SUB-CLASS	FILING DATE
AS	AA3	4,829,372	05/1989	McCalley <i>et al.</i>		
	AB3	4,975,771	12/1990	Kassatly		
	AC3	5,062,136	10/1991	Gattis <i>et al.</i>		
	AD3	5,091,938	02/1992	Thompson <i>et al.</i>		
	AE3	5,093,718	03/1992	Hoarty <i>et al.</i>		
	AF3	5,109,414	04/1992	Harvey <i>et al.</i>		
	AG3	5,113,496	05/1992	McCalley <i>et al.</i>		
	AH3	5,119,188	06/1992	McCalley <i>et al.</i>		
	AI3	5,129,036	07/1992	Dean <i>et al.</i>		
	AJ3	5,239,540	08/1993	Rovira <i>et al.</i>		
	AK3	5,249,164	09/1993	Koz		
	AL3	5,341,175	08/1994	Koz		

FOREIGN PATENT DOCUMENTS

EXAMINER INITIAL	DOCUMENT NUMBER	DATE	COUNTRY	CLASS	SUB-CLASS	TRANSLATION
	AM3					Yes
	AN3					No
	AO3					Yes
	AP3					No

OTHER (Including Author, Title, Date, Pertinent Pages, etc.)

AR	3	
AS	3	
AT	3	

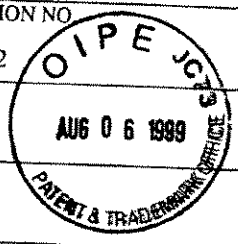
EXAMINER <i>amandate</i>	DATE CONSIDERED 10.21.99
-----------------------------	-----------------------------

EXAMINER: Initial if reference considered, whether or not citation is in conformance with MPEP 609. Draw line through citation if not in conformance and not considered. Include copy of this form with next communication to Applicant.



FORM PTO-1449  
INFORMATION DISCLOSURE STATEMENT

ATTY. DOCKET NO. 03047.0006.US04	APPLICATION NO. 09/120,452
APPLICANTS Paul YURT <i>et al.</i>	
FILING DATE July 23, 1998	GROUP 2734



U.S. PATENT DOCUMENTS

EXAMINER INITIAL	DOCUMENT NUMBER	DATE	NAME	CLASS	SUB-CLASS	FILING DATE
<i>JS</i>	AA4	5,381,347	01/1995	Gery .		
	AB4	5,473,362	12/1995	Fitzgerald <i>et al.</i>		
	AC4	5,502,503	03/1996	Koz .		
	AD4	5,517,257	05/1996	Dunn <i>et al.</i>		
	AE4	5,566,301	10/1996	Koz <i>et al.</i>		
	AF4	5,581,297	12/1996	Koz <i>et al.</i>		
	AG4	5,592,233	01/1997	Koz .		
	AH4	5,594,730	01/1997	Koz <i>et al.</i>		
	AI4	5,600,368	02/1997	Matthews, III		
	AJ4	5,630,094	05/1997	Hayek <i>et al.</i>		
	AK4	5,644,355	07/1997	Koz <i>et al.</i>		

FOREIGN PATENT DOCUMENTS

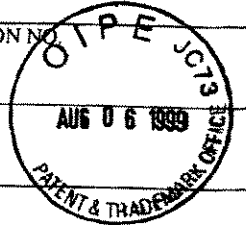
EXAMINER INITIAL	DOCUMENT NUMBER	DATE	COUNTRY	CLASS	SUB-CLASS	TRANSLATION
	AL4					Yes No
	AM4					Yes No
	AN4					Yes No
	AO4					Yes No
	AP4					Yes No

OTHER (Including Author, Title, Date, Pertinent Pages, etc.)

AR	4	
AS	4	
AT	4	

EXAMINER <i>Amandate</i>	DATE CONSIDERED 10.24.99
-----------------------------	-----------------------------

EXAMINER: Initial if reference considered, whether or not citation is in conformance with MPEP 609. Draw line through citation if not in conformance and not considered. Include copy of this form with next communication to Applicant.



FORM PTO-1449  
INFORMATION DISCLOSURE STATEMENT

ATTY. DOCKET NO.  
03047.0006.US04  
APPLICANTS  
Paul YURT *et al.*  
FILING DATE  
July 23, 1998

APPLICATION NO.  
09/120,452  
GROUP  
2734

U.S. PATENT DOCUMENTS

EXAMINER INITIAL	DOCUMENT NUMBER	DATE	NAME	CLASS	SUB-CLASS	FILING DATE
<i>AD</i>	AA5	07/1997	Dunn <i>et al.</i>			
	AB5	08/1997	Matthews, III			
	AC5	11/1997	Volk <i>et al.</i>			
	AD5	12/1997	Smith			
	AE5	02/1998	Dunn <i>et al.</i>			
	AF5	02/1998	Tobagi <i>et al.</i>			
	AG5	03/1998	Ozden <i>et al.</i>			
	AH5	03/1998	Tobagi <i>et al.</i>			
	AI5	03/1998	France <i>et al.</i>			
	AJ5	03/1998	Tobagi <i>et al.</i>			
<i>AD</i>	AK5	04/1998	Adams <i>et al.</i>			

FOREIGN PATENT DOCUMENTS

EXAMINER INITIAL	DOCUMENT NUMBER	DATE	COUNTRY	CLASS	SUB-CLASS	TRANSLATION
	AL5					Yes No
	AM5					Yes No
	AN5					Yes No
	AO5					Yes No
	AP5					Yes No

OTHER (Including Author, Title, Date, Pertinent Pages, etc.)

AR	5	
AS	5	
AT	5	

EXAMINER  
*Amandate*

DATE CONSIDERED  
10.21.99

EXAMINER: Initial if reference considered, whether or not citation is in conformance with MPEP 609. Draw line through citation if not in conformance and not considered. Include copy of this form with next communication to Applicant.

FORM PTO-1449  
INFORMATION DISCLOSURE STATEMENT

ATTY. DOCKET NO.

03047.0006.US04

APPLICATION NO.

09/120,452

APPLICANTS

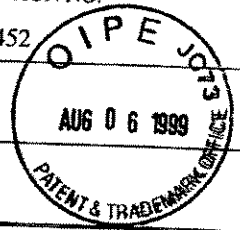
Paul YURT *et al.*

FILING DATE

July 23, 1998

GROUP

2734



U.S. PATENT DOCUMENTS

EXAMINER INITIAL	DOCUMENT NUMBER	DATE	NAME	CLASS	SUB-CLASS	FILING DATE
WJC	AA6	5,742,773	04/1998	Blomfield-Brown <i>et al.</i>		
	AB6	5,751,282	05/1998	Girard <i>et al.</i>		
	AC6	5,774,172	06/1998	Kapell <i>et al.</i>		
	AD6	5,781,228	07/1998	Sposato		
	AE6	5,799,113	08/1998	Lee		
	AF6	5,801,692	09/1998	Muzio <i>et al.</i>		
	AG6	5,802,394	09/1998	Baird <i>et al.</i>		
	AH6	5,815,145	09/1998	Matthews III		
	AI6	5,815,195	09/1998	Tam		
	AJ6	5,815,662	09/1998	Ong		
	AK6	5,815,689	09/1998	Shaw <i>et al.</i>		

FOREIGN PATENT DOCUMENTS

EXAMINER INITIAL	DOCUMENT NUMBER	DATE	COUNTRY	CLASS	SUB-CLASS	TRANSLATION
	AL6					Yes
	AM6					No
	AN6					Yes
	AO6					No
	AP6					Yes
						No

OTHER (Including Author, Title, Date, Pertinent Pages, etc.)

AR	6	
AS	6	
AT	6	

EXAMINER

*Amandate*

DATE CONSIDERED

10.21.99

EXAMINER: Initial if reference considered, whether or not citation is in conformance with MPEP 609. Draw line through citation if not in conformance and not considered. Include copy of this form with next communication to Applicant.

FORM PTO-1449  
INFORMATION DISCLOSURE STATEMENT

ATTY. DOCKET NO.

03047.0006.US04

APPLICATION NO.

09/120,452

APPLICANTS

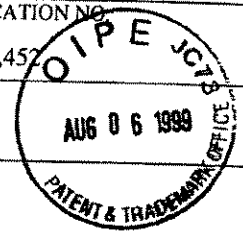
Paul YURT *et al.*

FILING DATE

July 23, 1998

GROUP

2734



U.S. PATENT DOCUMENTS

EXAMINER INITIAL	DOCUMENT NUMBER	DATE	NAME	CLASS	SUB-CLASS	FILING DATE
<i>sd</i>	AA7	5,818,972	10/1998	Girod <i>et al.</i>	—	—
	AB7	5,826,110	10/1998	Ozden <i>et al.</i>	↓	↓
	AC7	5,832,309	11/1998	Noe <i>et al.</i>		
	AD7	5,835,495	11/1998	Ferriere		
	AE7	5,844,594	12/1998	Ferguson		
	AF7	5,852,705	12/1998	Hanko <i>et al.</i>		
<i>sd</i>	AG7	5,861,906	01/1999	Dunn <i>et al.</i>		
	AH7					
	AI7					
	AJ7					
	AK7					

FOREIGN PATENT DOCUMENTS

EXAMINER INITIAL	DOCUMENT NUMBER	DATE	COUNTRY	CLASS	SUB-CLASS	TRANSLATION
	AL7					Yes No
	AM7					Yes No
	AN7					Yes No
	AO7					Yes No
	AP7					Yes No

OTHER (Including Author, Title, Date, Pertinent Pages, etc.)

AR	2	
AS	2	
AT	2	

EXAMINER

*Amande*

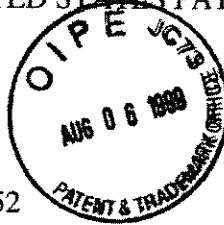
DATE CONSIDERED

10.21.99

EXAMINER: Initial if reference considered, whether or not citation is in conformance with MPEP 609. Draw line through citation if not in conformance and not considered. Include copy of this form with next communication to Applicant.

IN THE UNITED STATES PATENT AND TRADEMARK OFFICE

#11  
JMM  
10-1-99



In re application of:

Yurt *et al.*

Appl. No. 09/120,452

Filed: July 23, 1998

For: **Audio and Video Transmission  
and Receiving System**

Art Unit: 2734

Examiner: A. Le

Atty. Docket: 03047.0006.US04

**Terminal Disclaimer to Obviate a Double Patenting Rejection Under  
37 C.F.R. § 1.321(c)**

Assistant Commissioner for Patents  
Washington, D.C. 20231

Sir:

H. Lee Browne D/B/A Greenwich Information Technologies LLC ("Greenwich") represents that it is the owner of the entire right, title, and interest of Application No. 07/637,562, filed on January 7, 1991, and U.S. Patent No. 5,132,992 that issued therefrom, by virtue of an Assignment from all of the inventors thereof recorded at the U.S. Patent and Trademark Office on February 6, 1992 at Reel 6007, Frame 0679. Said assignment also covers all continuations from Application No. 07/637,562. As the above-named Application No. 09/120,452, is a divisional of Application No. 08/630,590 filed on April 10, 1996 which is a continuation of Application No. 08/133,982, filed on October 8, 1993, and U.S. Patent No. 5,550,863 that issued therefrom which is a continuation of Application No. 07/862,508, filed on April 2, 1992, and U.S. Patent No. 5,253,275 that issued therefrom which is a continuation of Application No. 07/637,562, filed on January 7, 1991, and U.S. Patent No. 5,132,992 that issued therefrom, Greenwich is the owner of the entire right, title, and interest of the above-named Application No. 09/120,452 by virtue of the assignment recorded at Reel 6007, Frame 0679.

***Establishing Right of Assignee to Take Action Under 37 C.F.R. § 3.73(b)***

A Certificate Under 37 C.F.R. § 3.73(b) establishing the right to act on behalf of the assignee, with regard to the above-identified application has been filed on February 10, 1999.

09120452 072398

**Disclaimer**

Greenwich hereby disclaims the terminal part of any patent granted on the above-identified application that would extend beyond the expiration of its co-owned U.S. Patent No. 5,132,992 and hereby agrees that any patent granted on the above-identified application, or any patent granted on the above-identified application and subject to the reexamination proceeding, shall be enforceable only for and during such period that said patent is commonly owned with the application or patent that formed the basis of the obviousness type double patenting rejection, this agreement to run with any patent granted on the above-identified application and to be binding upon the grantee, its successors or assigns.

Petitioner does not disclaim any terminal part of any patent granted on the above-identified application prior to the expiration date of the full statutory term, as currently shortened by any terminal disclaimer, of Patent No. 5,132,992 in the event that Patent No. 5,132,992 later expires for failure to pay a maintenance fee, is held unenforceable, is found invalid, is statutorily disclaimed in whole or terminally disclaimed under 37 C.F.R. § 1.321(a), has all claims cancelled by a reexamination certificate, or is otherwise terminated prior to the expiration of its statutory term as presently shortened by terminal disclaimer, except for the separation of legal title stated above.

This disclaimer is accompanied by the fee set forth in 37 C.F.R. § 1.20(d).

Respectfully submitted,



H. Lee Browne  
Chief Executive Officer  
Greenwich Information Technologies

Date: 7/29/99

09120452.072398