



US006933929B1

(12) **United States Patent**
Novak

(10) **Patent No.:** **US 6,933,929 B1**
(45) **Date of Patent:** **Aug. 23, 2005**

(54) **HOUSING FOR A COMPUTING DEVICE**

(75) Inventor: **Chris J. Novak**, San Jose, CA (US)

(73) Assignee: **Apple Computer, Inc.**, Cupertino, CA (US)

(*) Notice: Subject to any disclaimer, the term of this patent is extended or adjusted under 35 U.S.C. 154(b) by 0 days.

(21) Appl. No.: **10/013,126**

(22) Filed: **Dec. 7, 2001**

Related U.S. Application Data

(62) Division of application No. 09/426,408, filed on Oct. 25, 1999, now Pat. No. 6,357,887.

(60) Provisional application No. 60/134,084, filed on May 14, 1999.

(51) **Int. Cl.⁷** **G09G 5/00; G08C 21/00**

(52) **U.S. Cl.** **345/173; 345/174; 178/18.01; 178/18.03**

(58) **Field of Search** **345/156-158, 345/169, 173-179; 178/18.01-18.07, 19.01-19.06**

(56) **References Cited**

U.S. PATENT DOCUMENTS

5,339,213 A 8/1994 O'Callaghan

5,615,945 A	4/1997	Tseng	
6,089,893 A	7/2000	Yu et al.	
6,109,760 A	8/2000	Salatrik et al.	
6,161,944 A	12/2000	Leman	
6,190,017 B1	2/2001	Lai	
6,217,182 B1	4/2001	Shepherd et al.	
6,224,244 B1	5/2001	Burys	
6,507,338 B1 *	1/2003	Liao et al. 345/173

OTHER PUBLICATIONS

Apple Computer iBook hardware, General Topics; iBook Ports and Connectors, figs. 1 and 2.

* cited by examiner

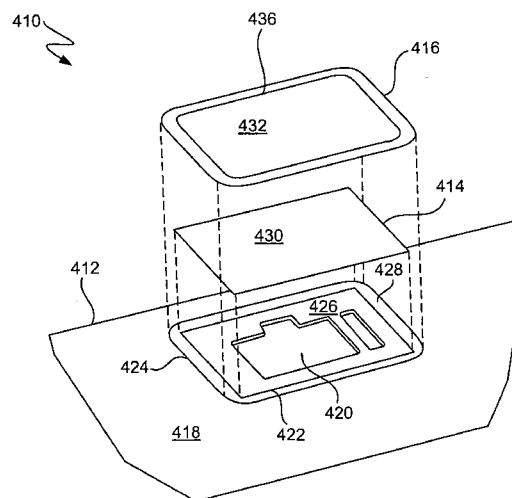
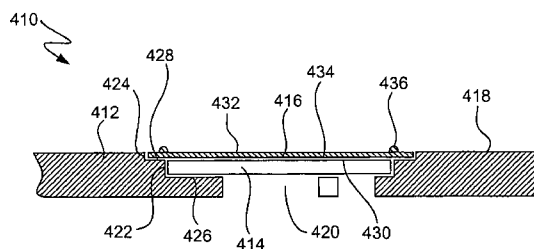
Primary Examiner—Vijay Shankar

(74) *Attorney, Agent, or Firm*—Beyer Weaver & Thomas, LLP

(57) **ABSTRACT**

Improved housing for a computing device is disclosed. The improved housing for a computing device is provided with one of an illuminable connector, a touch pad arrangement, and a palm rest stiffening plate. Normally, the illuminable connector and the touch pad arrangement are provided on external portions of a housing of the computing device such that they are available for user interaction. The palm rest stiffening plate is provided internal to a housing to provide stiffness or rigidity to a palm rest region of the housing.

24 Claims, 6 Drawing Sheets



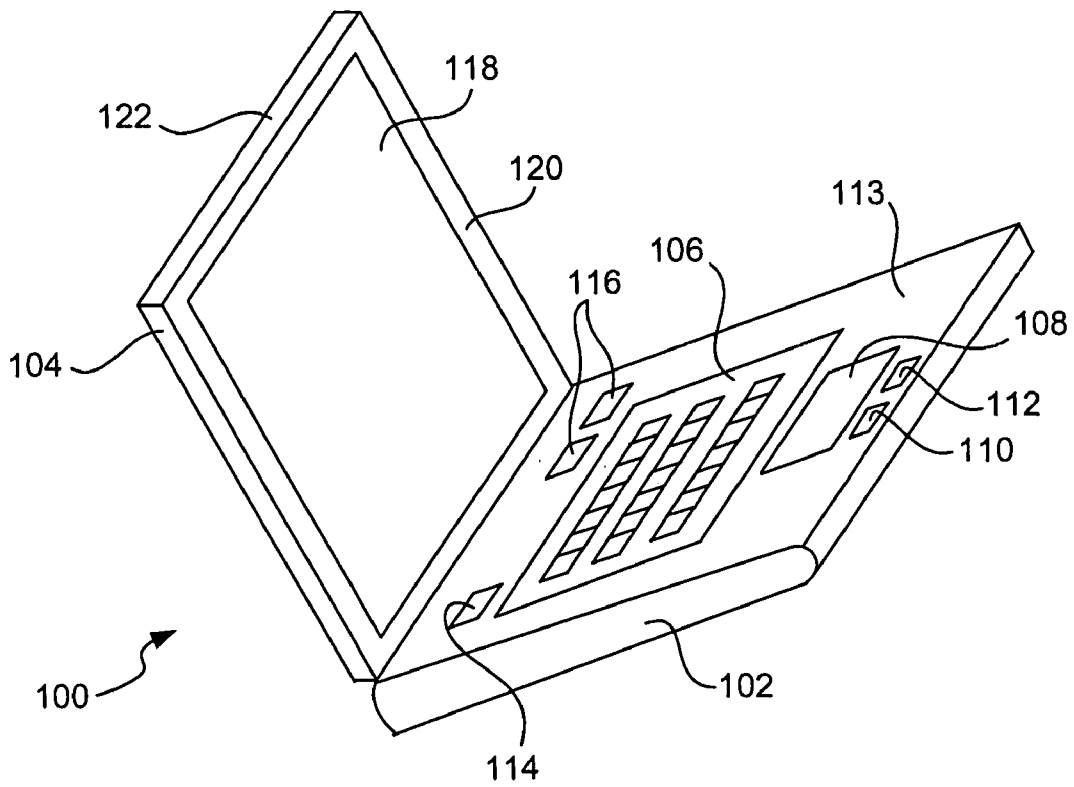


FIG. 1

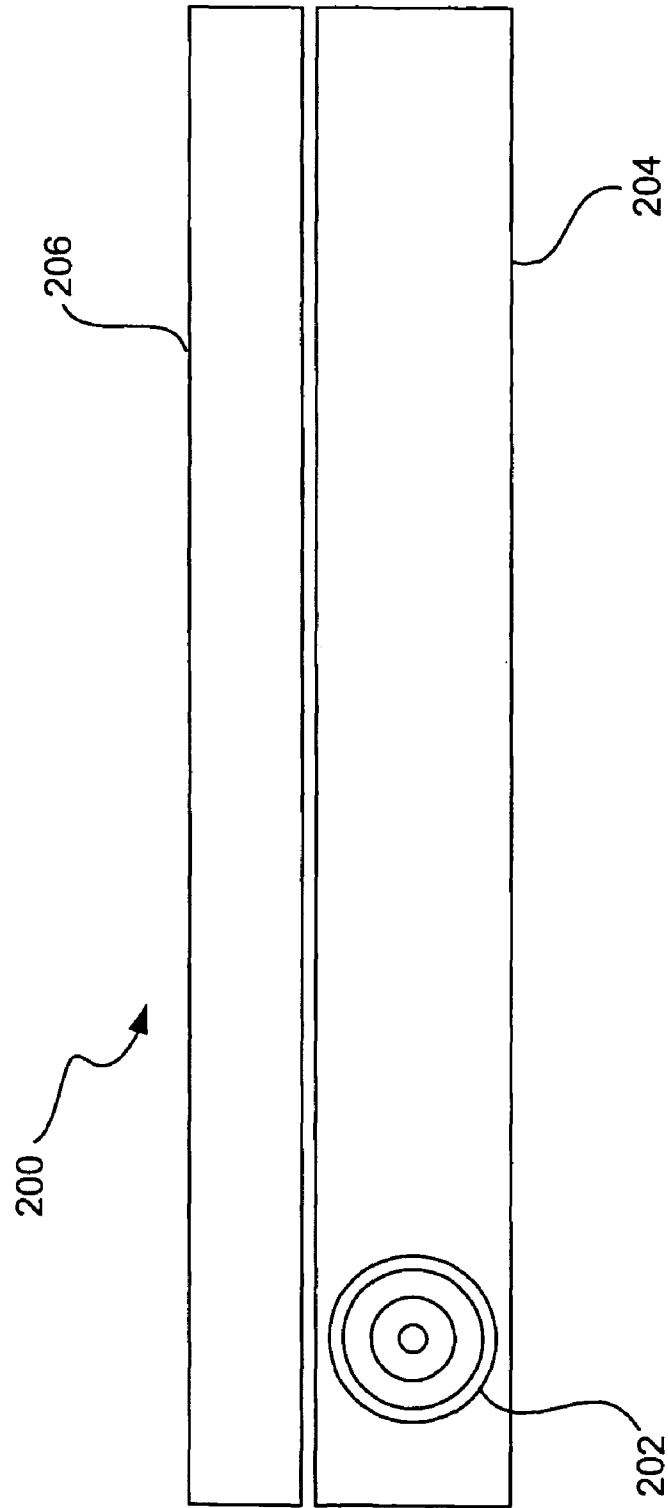


FIG. 2

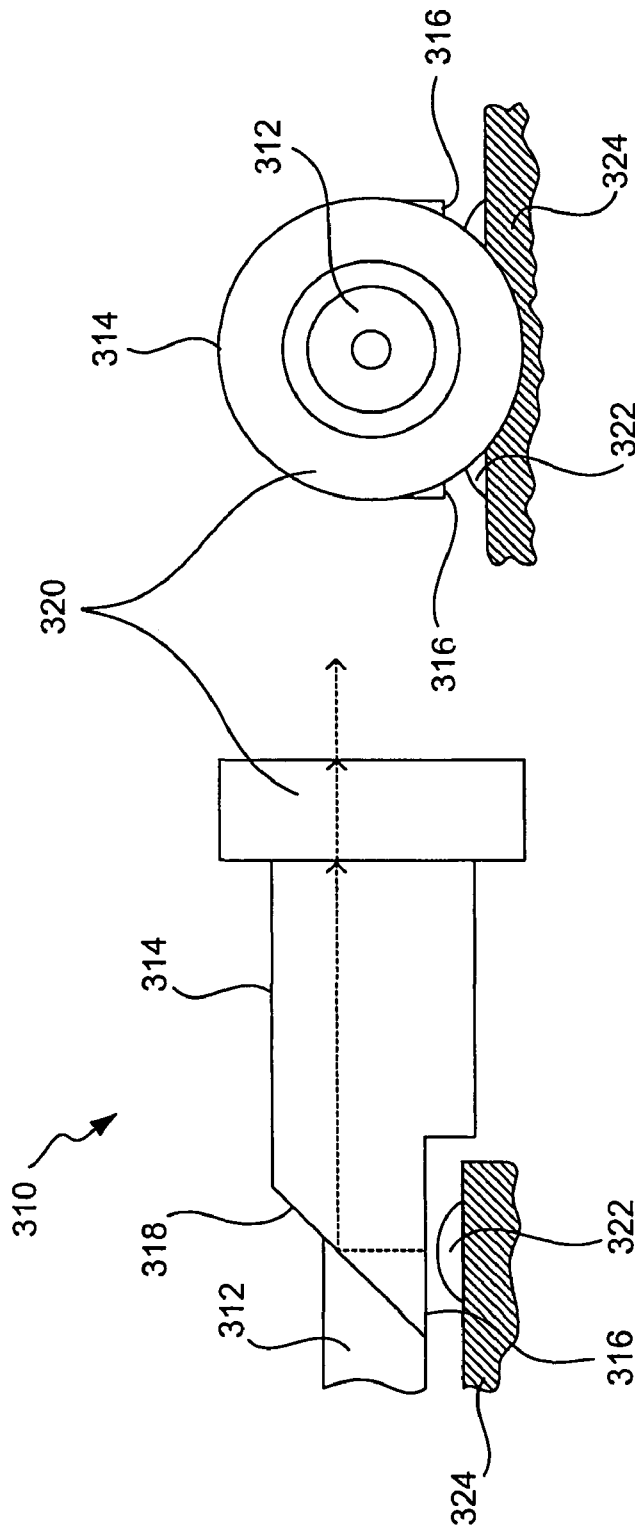


FIG. 3

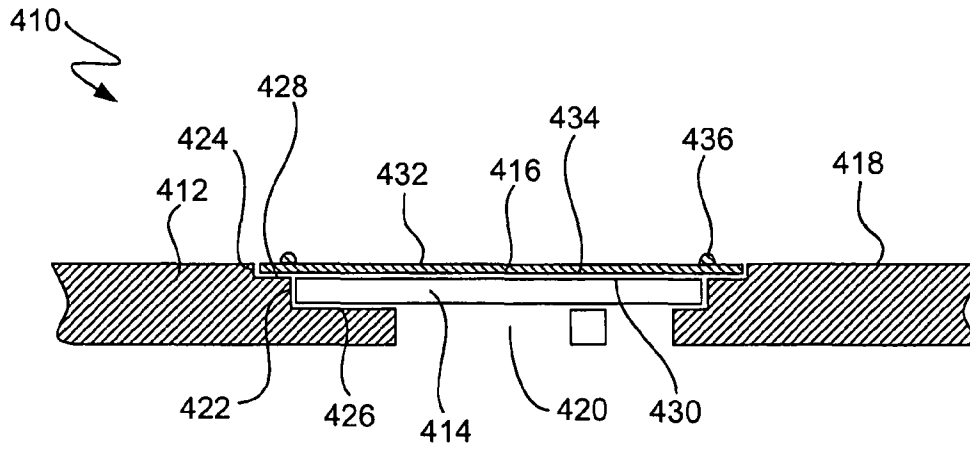


FIG. 4A

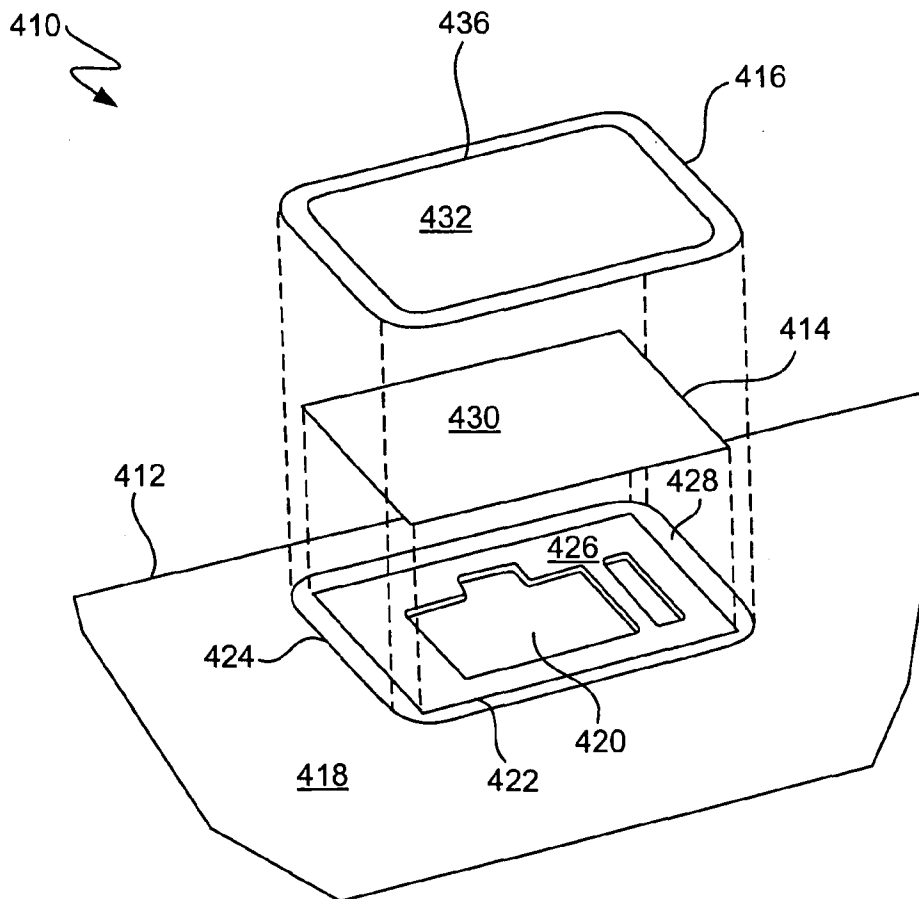


FIG. 4B

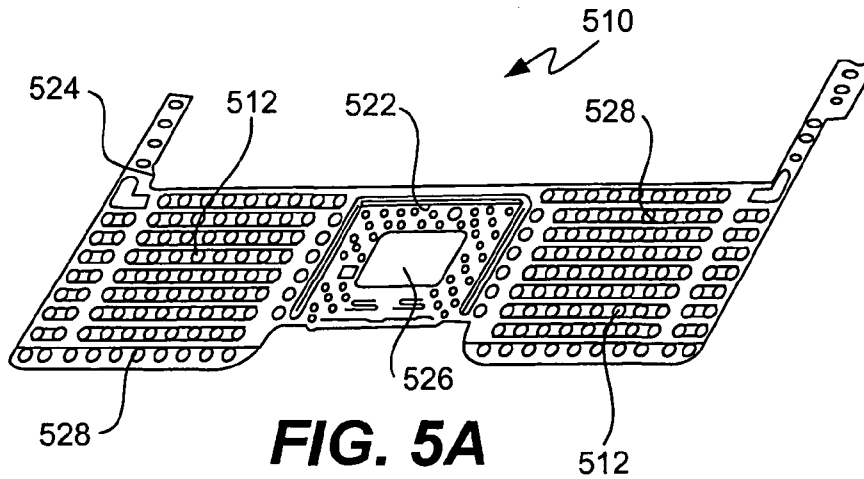


FIG. 5A

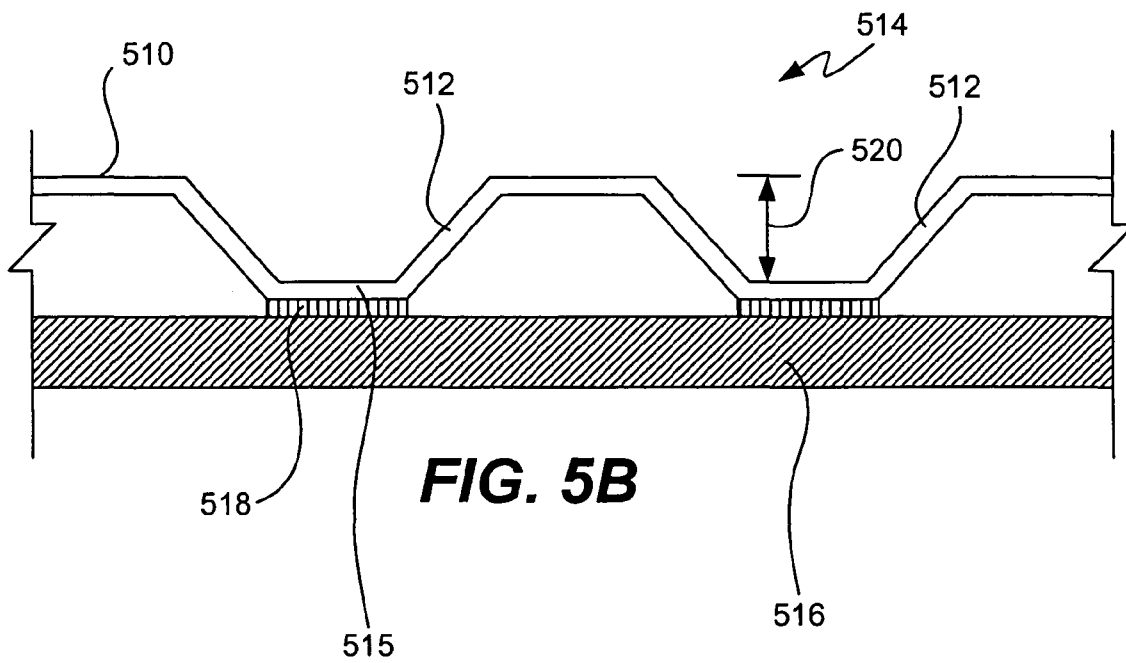


FIG. 5B

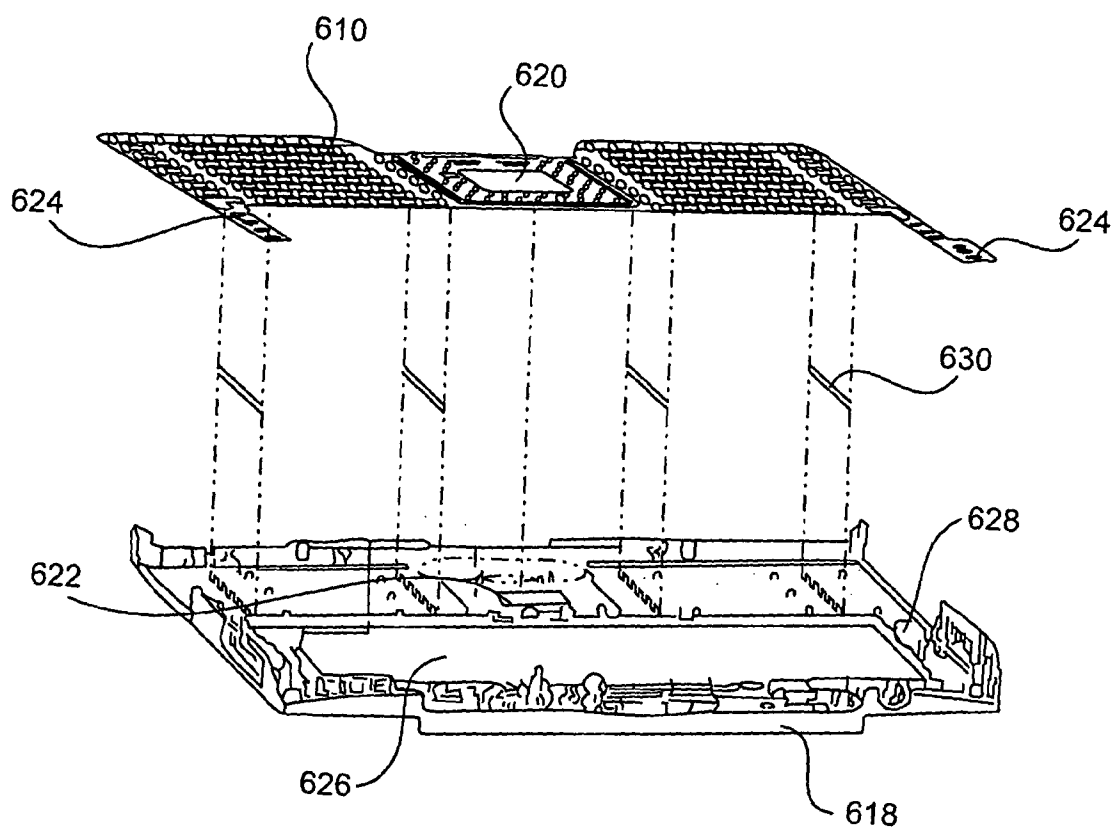


FIG. 6

HOUSING FOR A COMPUTING DEVICE**CROSS-REFERENCE TO RELATED APPLICATION**

This application claims the benefit of U.S. Provisional Application No. 60/134,084, entitled "HOUSING FOR A COMPUTING DEVICE", and filed on May 14, 1999, the disclosure of which is incorporated herein by reference for all purposes. This application is a divisional of prior U.S. application Ser. No. 09/426,408, entitled "DISPLAY HOUSING FOR COMPUTING DEVICE", filed Oct. 25, 1999 now U.S. Pat. No. 6,357,887.

BACKGROUND OF THE INVENTION**1. Field of the Invention**

The present invention relates generally to computer system and, more particularly, to improved features for housings of computer systems.

2. Description of the Related Art

All computing devices, including portable computers and desktop computers, have housings that encloses the components and circuitry of the computing devices. These housings are known to include various ports (e.g., parallel port, serial port, audio port, PC-Card slot) at their periphery to allow external devices to electrically couple to the computing devices. Access to the various ports is normally provided by associated connectors or slots that are provided as the periphery of the housings. The external devices that electrically couple to these ports typically do so with plugs or cards that mate with the connectors or slots. One disadvantage with the conventional use of such connectors or slots is that they are not easily located. Another disadvantage is that it is often difficult for users to determine whether proper connections have been made upon inserting the mating plugs or cards into the connectors or slots.

Computing devices are also known to make use of a touch pad (or track pad) as an input device to the computing devices. With portable computers, a palm rest portion of the base housing for the portable computers is often provided with a touch pad. Conventionally, touch pads have been attached with a bracket structure to the inside surface of the base housing such that the touch pad is held in place from the inside of the base housing and made accessible through an opening in the palm rest.

Unfortunately, the conventional approaches to attaching the touch pad to the base housing lead to problems. One problem with conventional approaches is that assembly is difficult because the touch pad is assembled and held in place from the inside of the base housing (i.e., from the underside of the palm rest). Another problem with conventional approaches is that the touch pad is necessarily recessed below the top surface of the palm rest by the thickness of the base housing at the palm rest which tends to make its use by users more difficult.

Also, as base housings get thinner and lighter, the base housings unfortunately get more flexible and thus less stiff. This even more true with base housings that provide industrial design features into the base housings because non-rectangular structures often associated with modern industrial designs offer even less rigidity. While internal ridges have been used to increase strength, recent designs are not always amenable to providing for internal ribs. For example, when there is limited space inside the housing the ribs may not provide the desired stiffness. Furthermore, in some applications, particularly around sensitive parts such as a

Compact Disk (CD) drive or Digital Versatile Disc (DVD) drive, the strength of the walls enclosing the CD/DVD drive need to substantially resist deflections to prevent damage to the CD/DVD drive. As an example, in some of today's portable computers, a deflection of more than 1/2 millimeter around the CD/DVD drive can damage the sensitive parts of the CD/DVD drive. The ability of housing to sufficiently resist such deflection is becoming increasingly difficult as base housing become thinner and provide industrial design features. As an example, in the case of a portable computer, one test that can be applied to test deflection is that a base housing must not deflect more than 1/2 millimeter when put under a 10 lb. force.

Thus, there is a need for improved housings for computing devices.

SUMMARY OF THE INVENTION

Broadly speaking, the invention relates to an improved housing for a computing device. A first aspect of the invention pertains to an illuminable connector suitable for use with the computing device. A second aspect of the invention pertains to a touch pad arrangement also suitable for use with the computing device. Both the illuminable connector and the touch pad arrangement can be provided on external portions of a housing of the computing device such that they are available for user interaction. A third aspect of the invention pertains to a palm rest stiffening plate.

The invention can be implemented in numerous ways, including as an apparatus, a device, a method, and a computer system. Several embodiments of the invention are discussed below.

As an illuminable connector for use with a computer having a light source, one embodiment of the invention includes a connector configured to transmit signals to and from the computer, and a light emitting enclosure having a light receiving area and an illuminating area. The light emitting enclosure is configured to direct light from the light source through said light emitting enclosure from the light receiving area to the illuminating area, and said light emitting enclosure is disposed around the outer periphery of said connector.

As a computer system, one embodiment of the invention includes a light source, a computer housing configured to enclose said light source, and an illuminable connector provided at an outer peripheral surface of said computer housing. The illuminable connector including a connector configured to transmit signals to and from said computer system, and a light emitting enclosure having a light receiving area and an illuminating area. The light emitting enclosure being configured to direct light from said light source through said light emitting enclosure from the light receiving area to the illuminating area, and said light emitting enclosure being disposed around the outer periphery of said connector.

As a method for illuminating a translucent connector that is connected to an outer peripheral surface of a computer housing, one embodiment of the invention includes the acts of: transmitting light from a light source enclosed in the computer housing; receiving the transmitted light at a light receiving portion of the translucent connector; directing the transmitted light from the light receiving portion of the translucent connector through the translucent connector to an outer periphery of the translucent connector such that light is directed outward away from the outer periphery of the computer housing.

3

As a touch pad apparatus, one embodiment of the invention includes: a housing having an outer surface and an opening through said housing, said housing further including a first recess within the outer surface about the opening to produce a first recessed surface; and a track pad said track pad being disposed in the first recess.

As a portable computer housing, one embodiment of the invention includes: a bottom portion providing a bottom surface for said portable computer housing; a top portion providing a top surface for said portable computer housing, said top surface having a palm rest region; and a stiffener affixed to an inner surface of the palm rest region of said top portion. The top portion and said bottom portion are coupled together to form said portable computer housing. The stiffener operates to provide stiffness to the palm rest region substantially beyond the stiffness otherwise provided by said top portion.

As a stiffening system for providing strength to a portable computer housing, one embodiment of the invention includes a computer housing and a stiffening plate. The computer housing including at least a top portion and a bottom portion. The top portion has an inner surface and an outer surface, and the top portion includes a palm rest region on the outer surface. The bottom portion is configured to be coupled to the top portion such that said top portion and said bottom portion when coupled together form said portable computer housing. The stiffening plate is configured to be coupled to the inner surface of said top portion of said computer housing and the stiffening plate is configured to strengthen said palm rest region.

Other aspects and advantages of the invention will become apparent from the following detailed description, taken in conjunction with the accompanying drawings, illustrating by way of example the principles of the invention.

BRIEF DESCRIPTION OF THE DRAWINGS

The invention, together with further advantages thereof, may best be understood by reference to the following description taken in conjunction with the accompanying drawings in which:

FIG. 1 is a perspective diagram of a portable computer;

FIG. 2 illustrates an illuminable connector arranged on a portable computer;

FIG. 3 depicts a side and front view of an illuminable connector according to one embodiment of the invention;

FIGS. 4A and 4B are diagrams of a side view and a perspective view of a touch pad system according to one embodiment of the invention;

FIGS. 5A and 5B illustrate a stiffening plate according to one embodiment of the invention; and

FIG. 6 is a diagram of a portion of a top portion of a base housing for use with a computer system.

DETAILED DESCRIPTION OF THE INVENTION

The invention pertains to an improved housing for a computing device. More particularly, a first aspect of the invention pertains to an illuminable connector suitable for use with the computing device. A second aspect of the invention pertains to a touch pad arrangement also suitable for use with the computing device. Both the illuminable connector and the touch pad arrangement can be provided on external portions of a housing of the computing device such

4

that they are available for user interaction. A third aspect of the invention pertains to a palm rest stiffening plate.

Embodiments of the invention are discussed below with reference to FIGS. 1–6. However, those skilled in the art will readily appreciate that the detailed description given herein with respect to these figures is for explanatory purposes as the invention extends beyond these limited embodiments.

FIG. 1 is a perspective diagram of a portable computer 100. The portable computer 100 includes a base 102 and a lid 104. The base 102 houses internally various integrated circuit chips and other circuitry to provide computing operations for the portable computer 100. The integrated circuit chips and other circuitry include a microprocessor, Read-Only Memory (ROM), Random-Access Memory (RAM), a disk drive, a battery, and various input/output (I/O) support circuitry. The base 102 also includes a keyboard 106 that allows a user of the portable computer 100 to enter alphanumeric data. The base 102 also includes a track pad 108 and associated buttons 110 and 112. The track pad 108 is an input device for the portable computer 100 and generally represents an input pointer device. The associated buttons 110 and 112 allow a user to make a selection with respect to a graphical user interface. The track pad 108 and the buttons 110 and 112 are located in an upper, front area of the base 102 referred to as a palm rest 113. Additionally, the base 102 includes a power switch 114 and miscellaneous switches 116.

The lid 104 is coupled to the base 102 by way of a hinge mechanism (not shown). As such, the lid 104 can rotate into an open position or a closed position with respect to the base 102. As illustrated in FIG. 1, the lid 104 is in the open position. The lid 104 contains a liquid crystal display (LCD) 118. The LCD display 118 is visible to a user of the portable computer 100 when the lid 104 is in the open position, such as illustrated in FIG. 1. The LCD display 118 is used to display the graphical user interface (including perhaps a pointer or cursor) as well as other information to the user. The LCD display 118 is surrounded at a peripheral region by a bezel 120 that serves to support the LCD display 118 in its assembled position within the lid 104. When the lid 104 is in a closed position, an outer surface 122 of the lid 104 is visible but the LCD display 118 and the bezel 120 are no longer visible to the user.

According to a first aspect of the invention, a connector with an illuminable enclosure is provided. In one embodiment, the illumination provided is used to show a computer user (operator) whether or not a connection is made between a plug and a socket that are operatively coupled together. For ease of discussion, the term “illuminable connector” herein refers to a connector that includes an illuminable enclosure.

In one embodiment of the invention, the illuminable connector is structurally coupled to a surface of a computer housing. FIG. 2 illustrates an illuminable connector 200 arranged on a portable computer 202. The portable computer 200 is, for example, a side view of the portable computer 100 illustrated in FIG. 1. The portable computer 200 includes a base 204 and a lid 206 which respectively correspond to the base 102 and the lid 104 illustrated in FIG. 1. The portable computer 200 is illustrated in the closed position in FIG. 2.

The illuminable connector 202 can be provided on any side of the portable computer 200. Typically, the illuminable connector 202 is coupled to a peripheral surface of the base 204 (or base housing). The base 204 is arranged to have an opening for the illuminable connector 202. The illuminable connector 202 is provided in the opening so that not only is the illuminable connector 202 accessible for the purpose of

5

inserting or removing a plug with respect to the illuminable connector **202** but also any illumination provided at the illuminable connector **202** can be seen by a computer operator.

In one embodiment, the illuminable connector **202** includes a socket (e.g., female) end of a connection that is structurally coupled to a peripheral surface of a computer housing. The illuminable connector **202** is made in part with a light guiding material that directs light from a light source internal to the computer housing to outside the computer housing. In a first embodiment, when a plug is operatively coupled to the socket, the light source is turned on so as to illuminate the illuminable connector **202**. With the first embodiment, the light source is off when the plug is not operatively coupled to the socket (i.e., no illumination). In a second embodiment, when the plug is operatively coupled to the socket, the light source is turned off and when the plug is not operatively coupled to the socket the light source is on. Both the first and second embodiments can thus advantageously display, to a computer operator, whether or not a proper connection has been made between the plug and the socket. Namely, the presence or absence of light is able to be associated with connection or no connection.

FIG. 3 depicts a side and front view of an illuminable connector **310** according to one embodiment of the invention. The illuminable connector **310** has a connector **312** and a light emitting enclosure **314**. The connector **312** is configured to transmit electrical signals to and from a computer. For example, the connector **312** may provide an audio/visual connection, a telephony connection, a serial connection (e.g., Universal Serial Bus), or a parallel connection. However, it should be noted that the connector **312** is not limited by these types of connections and that any connection that uses a connector for electrical transmitting signals to and from a computer may be used. Typically, the connections are provided by a plug connector (e.g., male) and a socket connector (e.g., female) that operatively couple an external device to a computer. As an example, the external device can be a peripheral device. In the embodiment shown in FIG. 3, the connector **312** is a socket connector. In other embodiment, it may be desirable to make the connector **12** a plug connector.

The light emitting enclosure **314** is configured to be disposed around the outer periphery of the connector **312**. That is, the light emitting enclosure **314** has an inner peripheral shape that coincides with at least a portion of an external peripheral shape of the connector **312**. The outer peripheral shape of light emitting enclosure **314** can be configured in a wide range of shapes, including circle, square, rectangle, triangle, polygon, or logos. In other words, the light emitting enclosure **314** can take any shape that substantially surrounds the connector **312**. The light emitting enclosure **314** may be structurally coupled to the connector **312** or may include an opening that allows connector **312** to be fitted therein. Also, the light emitting enclosure **314** may be configured to contact at least a portion of a surface of the connector **12** or may include a gap therebetween. Although FIG. 3 shows only one configuration (i.e., circular) for the connector **312** and the light emitting enclosure **314**, it should be noted that this is not a limitation on the invention and that any configuration, depending on the type of connector used and the desired outer peripheral shape of the enclosure, can be used.

Furthermore, the light emitting enclosure **314** includes a light receiving area **316**, a light directing area **318**, and an illuminating area **320**. The light receiving area **316** is configured to transmit light from a light source **322** to the

6

light directing area **318**. In most situations, the light receiving area **316** is formed to be substantially adjacent to the light source **22** to efficiently couple light from the light source **322** to the light receiving area **316**. Additionally, the light directing area **318** is arranged to direct the transmitted light from the light receiving area **316** to the illuminating area **320**. In this manner, when the light source **322** is transmitting light, the transmitted light illuminates an illuminating area **320**. By way of example, the light directing area **318** may be a reflecting surface of the light emitting enclosure **14** that reflects the transmitted light from light receiving area **316** towards the illuminating area **320**. The dimensions and orientation of the reflecting surface are arranged such that the reflected light is transmitted to the illuminating area **320**. Moreover, the reflecting surface may be disposed internal or external to the light emitting enclosure **314**. However, it should be noted that the light directing area **318** may not be needed and that the light from the light source may be transmitted directly from the light receiving area **316** to the illuminating area **320**.

Additionally, the illuminating area **320** is configured to transmit the directed light outward away from the illuminable connector **310** so as to illuminate the light emitting enclosure **314** when the light source **322** is turned on. Basically, the illuminating area **320** is a surface on the light emitting enclosure **314** that is luminous when the light source **322** is turned on. In most instances, the illuminating area **320** is at least partially located on the distal face of the light emitting enclosure **314**. However, the illuminating area **320** is not limited to the distal face (i.e., front portion) and may be any surface of the illuminable enclosure including side and top portions. The distal face of the light emitting enclosure **314** may be planar or non-planar. Additionally, the distal face of the light emitting enclosure **314** may also be recessed, flush or extend out relative to the distal face of the connector **312**.

The material that forms the illuminable enclosure must be suitable to facilitate the transmission of light therethrough. Accordingly, the material must exhibit suitable translucent characteristics for proper operation. It may be advantageous if the material is easily formable to different types of shapes including both simple and complex geometries. Additionally, the material could also be determined with reference to the environment it will be used in, such as impact strength and temperature. In some implementations, such materials are easily formed by certain types of plastics or other translucent materials. In one embodiment, the material can be composed of polycarbonate, although other suitable materials may be used as well.

As noted above, the illuminable connector **310** is often structurally coupled to a peripheral surface of a computer housing. For example, the portable computer **200** (namely, base **204**) may have an opening that is configured to hold the illuminable connector **310** on the inside peripheral surface of the base **204** and to provide illumination viewing space for the illuminating area **320** of the illuminable connector **310**. Additionally, the distal face of the light emitting enclosure **314** may be recessed, flush or extend outward relative to the outer peripheral surface of the base **204**. Also, the illuminable connector **310** is normally positioned on a front, back or side surface of the base **204**, but can also be positioned on a surface of the lid **206**.

The base **204** of the portable computer **200** is normally configured to enclose the light source **322** (see FIG. 3)) and other components (e.g., hardware circuitry) associated with a computer. In one embodiment the light source **322** is a light emitting diode. In one implementation, the light source **322**

is affixed to a printed circuit board **324** that is provided within the base **204** as part of the components (e.g., hardware circuitry). Here, the illuminable connector **310** is also affixed relative to the printed circuit board (and thus the light source **322**). However, various other types of light sources that can fit inside a computer housing can be used. Further, although the illuminable connector **310** can use a single light source, more than one light source can also be used. For example, the illuminable connector **310** can use a pair of light receiving areas **316** and a corresponding pair of light sources (one disposed on each side).

The illumination of the illumination area **320** can signal a computer operator (or user) whether or not a proper connection is made with the illuminable connector **320**. More particularly, when an operative connection is made between the socket (or plug) of the illuminable connector **320** and an external plug (or socket), light is transmitted by the light source, thereby illuminating the illumination area **320** external to the computer housing such that the computer operator is visually notified that a proper connection was made. Here, the light source **322** is activated once the circuitry within the portable computer **200** determines that an external plug (or socket) has been properly connected.

Alternatively, the light source may be configured to be on when a connection is not made and off when a connection is made. Advantageously, in dark situations, a computer operator would be able to see the illuminable connector and make the proper connection with an external plug or socket.

The advantages of the first aspect of the invention are numerous. Different embodiments or implementations may have one or more of the following advantages. One advantage of the invention is that illumination of the connector provides information not only as to location of the connector but also whether or not a proper connection is made. Another advantage of the invention is that the light used to provide the illumination is provided internal to a computer housing and directed towards an illumination area of the connector located at the periphery of the computer housing. Still another advantage of the invention is that the illumination area of the connector can be formed into various different shapes or configurations for design considerations.

According to a second aspect of the invention, a touch pad arrangement for a computer is provided. In one embodiment, the touch pad is arranged with a palm rest of a computer system.

A touch pad, sometimes referred to as “a pressure sensitive tablet” or a “track pad”, is an input device that typically is configured to move a pointer (or cursor) on a display screen (e.g., LCD display **118**). The movement of an object, such as a finger or stylus, across the touch pad causes the pointer to move in a similar direction on the screen. Although touch pads can be provided in different apparatus, typically touch pads are provided on portable computers. For example, the computer system **100** illustrated in FIG. **1** includes the touch pad **108** and the associated buttons **110** and **112** at the palm rest **113**.

Conventionally, a base housing for the portable computer is provided with an opening in the palm rest to provide access to a touch pad. A user (with finger to stylus) is able to use the touch pad through the opening in the palm rest. The touch pad is typically attached with a bracket structure to the inside surface of the base housing such that the touch pad is held in place and accessible through the opening in the palm rest. Unfortunately, the conventional approaches to attaching the touch pad to the base housing lead to problems. One problem with conventional approaches is that assembly is difficult because the touch pad is assembled and held in

place from the inside of the base housing (i.e., from the underside of the palm rest). Another problem with conventional approaches is that the touch pad is necessarily recessed below the top surface of the palm rest by the thickness of the base housing at the palm rest which tends to be bothersome for users.

The touch pad arrangement for a computer according to the second aspect of the invention overcomes these problems with the conventional approaches. According to the invention, the touch pad arrangement provides for simplified assembly. The assembly of the touch pad to the palm rest is from the outside. The base housing is provided with a multi-recessed opening in the palm rest to receive the touch pad as well as a protective label that is placed over the touch pad. Additionally, once assembled, the touch pad is substantially flush with the outer surface of the base housing, thereby providing better ease of use.

FIGS. **4A** and **4B** are diagrams of a side view and a perspective view of a touch pad system **410** according to one embodiment of the invention. The touch pad system **410** (not drawn to scale for ease of discussion) includes a track pad housing **412**, a track pad **414** and a track pad label **416**. Typically, track pad housing **412** is part of a computer housing (e.g., base housing or palm rest). However, it should be noted that the track pad housing **412** could be associated with other apparatuses besides a computer housing.

The track pad housing **412** has an outer surface **418** that includes an opening **420**. As shown in FIG. **4B**, the opening extends through the outer surface **418** to allow for wiring (not shown) of the track pad **414** to be provided internal to the computer housing. The track pad housing **412** also has a first recess **422** and a second recess **424** provided about the opening **420**. The first recess **422** has a first recessed surface **426**, and the second recess **424** has a second recessed surface **428**. The first recess **422** is configured to coincide with the shape of the track pad **414** such that the track pad **414** will fit in the first recess **422** and against the first recessed surface **416**. The second recess **424** is configured to coincide with the shape of the track pad label **416**. The circumference of the second recess **424** is greater than the circumference of the first recess **422**. When assembled, the track pad label **416** fits within the second recess **424** and over the track pad **414**. In one embodiment, the depth of the first recess **422** is substantially the same as the thickness of the track pad **414**, and the depth of the second recess **424** is substantially the same as the thickness of the track pad label **416**.

The track pad **414** includes an input surface **30** that is configured to receive user inputs (e.g., top surface of the track pad). The track pad **414** can detect the user inputs in a variety of ways including pressure and capacitance. The track pad label **416** serves to protect the track pad **414** from foreign matter (e.g., fluids, dust, etc.) by sealing against the outer surface **418** in at least the second recessed surface. Preferably, the track pad label **416** is used to protect the input surface **430** of the track pad **414**. Correspondingly, the track pad label **416** includes a contact surface **432** and an adhesive surface **434**. The adhesive surface **434** is used to couple the track pad label **416** to the track pad **414** and the second recessed surface **428**.

During assembly, the track pad **414** is disposed inside the first recess **422** and adjacent to the first recessed surface **426**. In one embodiment, the input surface **430** of the track pad **414** is substantially flush with the second recessed surface **428** when the track pad **414** is disposed inside the first recess **422** and adjacent to the first recessed surface **426**. Additionally, after the track pad **414** is placed, the track pad label **416** is disposed inside the second recess **424** and over to the track

pad **414** and the second recessed surface **428** such that the adhesive surface **434** substantially covers the track pad and the second surface. The entire adhesive surface **434** need not have adhesive thereon, only the peripheral portion need contain adhesive. Once the track pad label **416** is placed, the contact surface **432** of the track pad label **416** is substantially flush with the outer surface **418** of the track pad housing **412**.

Moreover, the contact surface **432** of the track pad label **416** can optionally include a ridge that surrounds the perimeter of the track pad **414**. In one embodiment, the ridge can serve as a boundary to the input area for the touch pad system **410**. When the combination of the track pad **414** and the track pad label **416** are flush with the track pad housing **418**, the ridge serves to provide a user of the track pad system **410** with context as to where the boundaries are for the input area where the touch pad system **410** is active. FIGS. **4A** and **4B** illustrate the track pad label **416** with a ridge **436** according to one embodiment of the invention. The ridge **436** extends in a direction outward from the contact surface **432**. The ridge **436** should be dimensioned to be large enough for finger or stylus sensitivity. In one implementation, the ridge **436** coincides above the outer perimeter of the track pad **414**.

The advantages of the second aspect of the invention are numerous. Different embodiments or implementations may have one or more of the following advantages. One advantage of the invention is that assembly of a track pad (touch pad) into a housing, such as the base housing of a portable computer, is greatly simplified. Another advantage of the invention is that a track pad (touch pad) is able to be mounted flush with an outer surface of its housing, namely flush with a palm rest surface of a base housing of a portable computer.

A third aspect of the invention pertains to a stiffening plate (stiffener plate) for a housing associated with a computer. The invention is particularly suitable for a palm rest stiffening plate for use with a palm rest of a portable computer. For example, the portable computer **100** illustrated in FIG. **1** includes the palm rest **113** positioned on an upper, front area of the base **102**. Furthermore, the stiffening plate may be configured to provide stiffness around other weak points of the computer housing. For example, the stiffening plate may be used to stiffen the weak sections of the computer housing around the CD/DVD drive and keyboard, where the housing has limited structure and support.

The stiffening plate is configured to increase the strength of the housing, which advantageously allows the thickness of the computer housing walls to be decreased. In most instances, decreased wall thickness reduces the overall thickness and weight of the computer, both of which are desired to make a portable computer lighter and thinner.

FIG. **5A** illustrates a stiffening plate **510** according to one embodiment of the invention. The stiffening plate **510** is formed from a material having rigid strength and lightweight properties. In one embodiment, the stiffening plate **510** is stamped and formed from an aluminum sheet. In a preferred embodiment, the stiffening plate is formed from a 5052 series aluminum sheet having a 0.5 mm thickness. Although the stiffening plate is preferably made from aluminum, it should be noted that any material that is substantially rigid (e.g., providing stiffness), while being lightweight and relatively thin may be used.

The stiffening plate **510** also includes a plurality of dimples **512** that serve to increase the stiffness (i.e., shear strength) of the stiffening plate **510** when adhered to an adjacent surface such as a computer housing. Preferably, the dimples when adhered to an adjacent surface create a box

like structure at each of the dimple positions. That is, the dimples and the surface form a corrugated laminate structure, which provides a stiff structure having good shearing strength. Referring to FIG. **5B**, an example of a dimple box structure **514** is shown. The dimple box structure **514** includes stiffening plate **510** having dimples **512**. Preferably, dimples **510** provide flat surfaces **515** that are coupled to a surface **516** with an adhesive **518**. For the most part, each dimple **512** represents a glue joint for adhering the stiffening plate **510** to a surface **516**. Advantageously, when the combination of the stiffening plate **510**, surface **516** and adhesive **518** is bonded together, a plurality of joined boxes (e.g., honeycomb) are created which yield the desired shear strength. For example, such a structure can enable a thin, lightweight housing to withstand deflection of more than 1/2 millimeter when put under a 10 lb. force.

Furthermore, the plurality of dimples **512** have a dimple depth **520**. As is well known in the art, the greater the depth of the dimple, the greater the stiffness of the structure. However, the dimple depth is generally constrained by the overall thickness of the computer and the adjacent internal structures. For that reason, the dimples are preferably configured to be shallow so as not to impact the overall thickness of the stiffening plate **510**. In one embodiment, the dimple depth is about 0.8 mm. Correspondingly, the overall height of the stiffening plate is about 1.3 mm.

Referring back to FIG. **5A**, the dimples **512** are patterned to maximize the strength of the stiffening plate **510**. Additionally, it should be noted that the dimples **512** are not a limitation and that other manufacturing process that increases the strength of the stiffening plate may be used. For example, a stamped protrusion **522** may also be used in conjunction with the dimples to form the corrugated like structure. Furthermore, a formed edge **524** at the perimeter of the stiffening plate may also be used to increase the stiffness of the stiffening plate.

The stiffening plate **510** is also configured to provide openings **526** for features such as connectors, wires and other computer components (e.g., track pad, buttons). Furthermore, stiffening plate **510** may include holes **528** for reducing the overall weight of the stiffening plate **510**. Additionally, the stiffening plate **510** may include protrusions and/or depressions that coincide with the housing shape. Also, as is appreciated by those skilled in the art, Aluminum can be easily formed (e.g., coining or stamping), and therefore many design features may be configured into the stiffening plate.

By way of example, the computer housing may be the base **102** of a portable computer **100** as shown in FIG. **1**. In most situations, a base housing (or base) includes the top portion and a bottom portion. Typically, the bottom portion is configured to be coupled to the top portion such that when the top portion and the bottom portion are coupled together they form the base of the portable computer.

FIG. **6** is a diagram of a portion of a top portion **618** of a base housing for use with a computer system. An outer surface of the top portion **618** of the housing has a palm rest (e.g., palm rest **113** of FIG. **1**). The palm rest provides a **115** space for resting the palms of the portable computer user while the user types or uses a track pad on the portable computer. Because the palm rest is load bearing (e.g., weight of the user's palms) it is required to be strong (e.g., to prevent bowing or unduly flexing). To be able to support such a load, the inner surface of the top portion **618** includes a stiffening plate **610**. The stiffening plate **610** can, for example, be the stiffening plate **510** illustrated in FIGS. **5A** and **5B**. More particularly, the stiffening plate **610** is affixed

against the inner surface of the top portion **618** of the computer housing. In one implementation, the stiffening plate **610** has a shape that is configured to coincide with the at least a portion of the shape of the palm rest. Correspondingly, the laminate structure of the top portion and the stiffening plate **610** preferably provides the required strength for supporting the palm rest. It should be noted that the stiffening plate **610** is not limited to only stiffening the palm rest region of a housing and that it may be used to stiffen other portions of a computer housing as well.

Moreover, the stiffening plate **610** is affixed to the inner surface of the top portion **618** with an adhesive (not shown). Namely, in one embodiment, adhesive can be placed at each dimple and thus serves to bond the dimples to a mating region of the inner surface of the top portion **618** (see FIG. **5B**). In one implementation, the adhesive is a two part epoxy that bonds well between the material of the stiffening plate and the material of the top portion. Characteristically, this material provides good shear strength when combine with these two materials. In one embodiment, the stiffening plate is formed from aluminum and the top portion is formed from plastic (e.g., polycarbonate ABS). In some implementations, the top portion is nickel plated plastic. Preferably, in this implementation, the two part epoxy is a Lord 201 adhesive made by Lord Corp. of Erie, Pa. It should be noted that other types of adhesives can be used so long as they form a laminate bond with good shear strength between the stiffener and the top portion.

Additionally, it should be noted that other fastening means may be used (e.g. screws, bolts, heat staked) to couple the stiffening plate to the top portion, but none will produce the strength provided by the permanent laminate structure that uses an adhesive as described above. In fact, in one embodiment, heat stakes are used to properly align the stiffening plate on the top portion during manufacturing. Typically, screws and bolts have too much weight and over time may come loose. Additionally, heat stakes overtime will become stressed and possibly break wherein the stiffening plate may come loose or may break off.

The stiffening plate **610** can also include a first plate opening **620** and the top portion **618** can include a first top portion opening **622**. Both the first plate opening **620** and the first top portion opening **622** are dimensioned to fit around a portion of a track pad (not shown). In most situations, the first top portion opening **620** provides an opening for a track pad provided in the palm rest of the top portion **618**. Furthermore, the stiffening plate includes a recess (not shown) that provides a mounting surface for the track pad. In this configuration, the recess traps and holds the track pad in position between the stiffening plate and the top portion **618**.

Moreover, the stiffening plate **610** includes extensions **624** and the top portion **618** includes a second top portion opening **626**. The second top portion opening **626** is dimensioned to fit around (i.e., not interfere with) a portion of a set of keys of a keyboard. Correspondingly, the extensions **624** are configured to surround a portion of the second top portion opening **626**. In this manner, the extensions increase the stiffness at a potential weak area **628** between the location of the key pad and the CD/DVD drive opening in the top portion **618**.

Additionally, the configuration and placement of the stiffening plate may cause the stiffening plate to act like an antenna. Therefore, the conductive stiffening plate should be grounded. In one embodiment, to provide grounding, at least one EMI (electromagnetic interference) gasket **630** is disposed between the top portion **618** and the stiffening plate

610 to ground the stiffening plate **610** to the top portion **618**. It should be noted that more than one EMI gasket may be needed to provide adequate grounding, and therefore the present invention is not limited by one EMI gasket and that a plurality of EMI gaskets may be used. In one case, the EMI gaskets **630** is a strip of foam surrounded by a conductive material. In this manner, the foam provides a spring-like surface that ensures contact between the stiffening plate and the top portion which itself has a conductive inner coating (e.g., nickel plated plastic).

Accordingly, the third aspect of the invention provides significant improvements to the structure, ruggedness and strength of the base housing (e.g., palm rest portion) of a computer. Furthermore, through use of a stiffening plate, the palm rest portion is able to be thin, but extremely stiff, and thus the housing as whole can have a reduced in thickness. The stiffening the palm rest is also achieved with a relatively small amount of additional weight. Additionally, the stiffening plate creates such a stiff structure that the materials that form the internal housings for parts such as the enclosure for the CD/DVD drive could be changed to less rigid and thus less weighted materials. Basically, the stiffer housing makes it possible to have a less stiff structure around the CD/DVD drive to support it. For example, the CD/DVD support could be changed from steel to aluminum. Therefore, the third aspect invention supports the further reduction in thickness and weight for portable computers.

Although the invention is particularly well suited for use in a computer system, namely a portable computer system, the invention is not limited to use in computer systems. The invention is suitable for other devices or apparatuses that include a touch pad or track pad.

The advantages of the second aspect of the invention are numerous. Different embodiments or implementations may have one or more of the following advantages. One advantage of the invention is that assembly is simplified which reduces manufacturing costs associated with labor and parts. Another advantage of the invention is that the flush design improves user satisfaction.

The many features and advantages of the present invention are apparent from the written description, and thus, it is intended by the appended claims to cover all such features and advantages of the invention. Further, since numerous modifications and changes will readily occur to those skilled in the art, it is not desired to limit the invention to the exact construction and operation as illustrated and described. Hence, all suitable modifications and equivalents may be resorted to as falling within the scope of the invention.

What is claimed is:

1. A touch pad apparatus, comprising:

- a housing having an outer surface and an opening through said housing, said housing including a first recess within the outer surface about the opening to produce a first recessed surface and a second recess within the outer surface about the opening to produce a second recessed surface; and
- a track pad disposed in the first recess, said track pad having a top surface and a bottom surface, the bottom surface of said track pad being adjacent the first recessed surface; and
- a track pad label disposed in the second recess and over said track pad to secure or protect said track pad, said track pad label having a top surface and a bottom surface, the bottom surface of said track pad label being adjacent the second recessed surface and the top sur-

13

face of said track pad, and the top surface of said track pad label being substantially flush with the outer surface of said housing.

2. A touch pad apparatus as recited in claim 1, wherein the depth of the second recess is less than the depth of the first recess.

3. A touch pad apparatus as recited in claim 1, wherein the circumference of the second recess is greater than the circumference of the first recess.

4. A touch pad apparatus as recited in claim 1, wherein said track pad label comprises:
 a ridge, said ridge being configured to extend away from the top surface of said track pad label, said ridge defining an input area for said track pad, and wherein the bottom surface of said track pad label including an adhesive that adheres said track pad label to at least the first recessed surface.

5. A touch pad apparatus as recited in claim 1, wherein said track pad label comprises:
 a ridge on the top surface of said track pad label to provide user context with respect to an input boundary for said track pad.

6. A touch pad apparatus as recited in claim 1, wherein said touch pad apparatus is part of a portable computer.

7. A touch pad apparatus, comprising:
 a housing, said housing having an outer surface and an opening through said housing, said housing further including a first recess within the outer surface about the opening to produce a first recessed surface and a second recess within the outer surface about the opening to produce a second recessed surface;
 a track pad, said track pad being disposed in the first recess; and
 a track pad label, said track pad label being disposed in the second recess and over said track pad and said second recessed surface to secure or protect said track pad.

8. A touch pad apparatus as recited in claim 7 wherein the track pad label includes a contact surface and an adhesive surface, the adhesive surface covering at least the second recessed surface so as to couple the track pad label to the housing.

9. A touch pad apparatus as recited in claim 8 wherein the adhesive surface covers the track pad and the second recessed portion so as to couple the track pad label to the track pad and the housing.

10. A touch pad apparatus, comprising:
 a housing, said housing having a wall and an opening extending entirely through said wall from an outer surface to an inner surface of said wall, said housing further including a first recess extending partially within the outer surface of the wall about the periphery of the opening, the first recess including a first recessed surface disposed below the outer surface; and
 a track pad, said track pad being mounted in the first recess against the first recessed surface and over the opening.

11. A touch pad apparatus as recited in claim 10, wherein said touch pad apparatus is part of a portable computer.

12. A touch pad apparatus as recited in claim 10, wherein said track pad has a top surface and a bottom surface, the bottom surface is adjacent the first recessed surface, and the top surface is substantially flush with the outer surface of said housing.

13. A touch pad apparatus as recited in claim 12, wherein said touch pad apparatus further comprises:

14

a track pad label that is provided over said track pad and said housing to secure or protect said track pad.

14. A touch pad apparatus as recited in claim 10, wherein said housing further includes a second recess extending partially within the outer surface of the wall about the periphery of the first recess, the second recess including a second recessed surface disposed below the outer surface and above the first recessed surface, and wherein the touch pad apparatus further comprises:
 a track pad label, said track pad label being disposed in the second recess against the second recessed surface and over said track pad said track pad label securing said track pad within the first recess.

15. A touch pad system, comprising:
 a track pad housing having a first recess;
 a track pad disposed in the first recess; and
 a track pad label disposed over said track pad and said housing, the track pad label being substantially permanently attached to at least the track pad housing in order to secure the track pad within a cavity formed by the first recess and the track pad label.

16. The touch pad system as recited in claim 15 wherein the first recess is configured to coincide with the shape of the track pad and wherein the depth of the first recess is substantially the same as the thickness of the track pad.

17. The touch pad system as recited in claim 15 wherein the first recess surrounds an opening, the opening allowing wiring of the track pad to be provided internal to the track pad housing.

18. The touch pad system as recited in claim 15 wherein the track pad housing includes a second recess for receiving the track pad label.

19. The touch pad system as recited in claim 18 wherein the second recess surrounds the first recess and is provided above the first recess.

20. The touch pad system as recited in claim 18 wherein the second recess has a greater circumference than the circumference of the first recess.

21. A touch pad system, comprising:
 a track pad housing having a first recess;
 a track pad disposed in the first recess; and
 a track pad label disposed over said track pad and said track pad housing, the track pad label being attached to at least the track pad housing, the track pad housing including a second recess for receiving the track pad label,
 wherein the second recess is configured to coincide with the shape of the track pad label and wherein the depth of the second recess is substantially the same as the thickness of the track pad label.

22. The touch pad system as recited in claim 18 wherein a top surface of the track pad label is substantially flush with an outer surface of the track pad housing when the track pad label is disposed within the second recess.

23. The touch pad system as recited in claim 15 wherein the track pad label is attached to the housing via an adhesive.

24. The touch pad system as recited in claim 23 wherein the adhesive is located at a peripheral portion of the track pad label in order to seal an interface between the track pad label and the housing.