

# EXHIBIT E

# 3G TS 25.213 V5.0.0 (2002-03)

---

*Technical Specification*

## **3rd Generation Partnership Project; Technical Specification Group Radio Access Network; Spreading and modulation (FDD) (Release 5)**

---



The present document has been developed within the 3<sup>rd</sup> Generation Partnership Project (3GPP™) and may be further elaborated for the purposes of 3GPP.

The present document has not been subject to any approval process by the 3GPP Organisational Partners and shall not be implemented. This Specification is provided for future development work within 3GPP only. The Organisational Partners accept no liability for any use of this Specification. Specifications and reports for implementation of the 3GPP™ system should be obtained via the 3GPP Organisational Partners' Publications Offices.

---

Keywords

---

UMTS, radio, modulation, layer 1

**3GPP**

Postal address

---

3GPP support office address

---

650 Route des Lucioles - Sophia Antipolis  
Valbonne - FRANCE  
Tel.: +33 4 92 94 42 00 Fax: +33 4 93 65 47 16

Internet

---

<http://www.3gpp.org>

---

**Copyright Notification**

---

No part may be reproduced except as authorized by written permission.  
The copyright and the foregoing restriction extend to reproduction in all media.

© 2002, 3GPP Organizational Partners (ARIB, CWTS, ETSI, T1, TTA, TTC).  
All rights reserved.

# Contents

|  |    |
|--|----|
| Foreword .....   | 5  |
| 1 Scope .....  | 6  |
| 2 References .....   | 6  |
| 3 Symbols and abbreviations .....                                  | 6  |
| 3.1 Symbols .....  | 6  |
| 3.2 Abbreviations .....  | 7  |
| 4 Uplink spreading and modulation .....                            | 7  |
| 4.1 Overview .....   | 7  |
| 4.2 Spreading .....  | 7  |
| 4.2.1 DPCCH/DPDCH/HS-DPCCH .....                                   | 7  |
| 4.2.2 PRACH .....  | 9  |
| 4.2.2.1 PRACH preamble part .....                                  | 9  |
| 4.2.2.2 PRACH message part .....                                   | 9  |
| 4.2.3 PCPCH .....  | 10 |
| 4.2.3.1 PCPCH preamble part .....                                  | 10 |
| 4.2.3.2 PCPCH message part .....                                   | 10 |
| 4.3 Code generation and allocation .....                           | 10 |
| 4.3.1 Channelisation codes .....                                   | 10 |
| 4.3.1.1 Code definition .....                                      | 10 |
| 4.3.1.2 Code allocation for DPCCH/DPDCH/HS-DPCCH .....             | 11 |
| 4.3.1.3 Code allocation for PRACH message part .....               | 12 |
| 4.3.1.4 Code allocation for PCPCH message part .....               | 12 |
| 4.3.1.5 Channelisation code for PCPCH power control preamble ..... | 12 |
| 4.3.2 Scrambling codes .....                                       | 12 |
| 4.3.2.1 General .....  | 12 |
| 4.3.2.2 Long scrambling sequence .....                             | 12 |
| 4.3.2.3 Short scrambling sequence .....                            | 13 |
| 4.3.2.4 DPCCH/DPDCH/HS-DPCCH scrambling code .....                 | 15 |
| 4.3.2.5 PRACH message part scrambling code .....                   | 15 |
| 4.3.2.6 PCPCH message part scrambling code .....                   | 15 |
| 4.3.2.7 PCPCH power control preamble scrambling code .....         | 15 |
| 4.3.3 PRACH preamble codes .....                                   | 16 |
| 4.3.3.1 Preamble code construction .....                           | 16 |
| 4.3.3.2 Preamble scrambling code .....                             | 16 |
| 4.3.3.3 Preamble signature .....                                   | 16 |
| 4.3.4 PCPCH preamble codes .....                                   | 17 |
| 4.3.4.1 Access preamble .....                                      | 17 |
| 4.3.4.1.1 Access preamble code construction .....                  | 17 |
| 4.3.4.1.2 Access preamble scrambling code .....                    | 17 |
| 4.3.4.1.3 Access preamble signature .....                          | 17 |
| 4.3.4.2 CD preamble .....  | 17 |
| 4.3.4.2.1 CD preamble code construction .....                      | 17 |
| 4.3.4.2.2 CD preamble scrambling code .....                        | 17 |
| 4.3.4.2.3 CD preamble signature .....                              | 18 |
| 4.4 Modulation .....   | 18 |
| 4.4.1 Modulating chip rate .....                                   | 18 |
| 4.4.2 Modulation .....   | 18 |
| 5 Downlink spreading and modulation .....                          | 18 |
| 5.1 Spreading .....  | 18 |
| 5.2 Code generation and allocation .....                           | 20 |
| 5.2.1 Channelisation codes .....                                   | 20 |
| 5.2.2 Scrambling code .....  | 21 |
| 5.2.3 Synchronisation codes .....                                  | 23 |
| 5.2.3.1 Code generation .....                                      | 23 |

5.2.3.2 Code allocation of SSC..... 24

5.3 Modulation ..... 26

5.3.1 Modulating chip rate..... 26

5.3.2 Modulation..... 26

**Annex A (informative): Generalised Hierarchical Golay Sequences.....27**

A.1 Alternative generation .....27

**Annex B (informative): Change history .....28**

---

## Foreword

This Technical Specification (TS) has been produced by the 3<sup>rd</sup> Generation Partnership Project (3GPP).

The contents of the present document are subject to continuing work within the TSG and may change following formal TSG approval. Should the TSG modify the contents of the present document, it will be re-released by the TSG with an identifying change of release date and an increase in version number as follows:

Version x.y.z

where:

- x the first digit:
  - 1 presented to TSG for information;
  - 2 presented to TSG for approval;
  - 3 or greater indicates TSG approved document under change control.
- y the second digit is incremented for all changes of substance, i.e. technical enhancements, corrections, updates, etc.
- z the third digit is incremented when editorial only changes have been incorporated in the document.

---

# 1 Scope

The present document describes spreading and modulation for UTRA Physical Layer FDD mode.

---

# 2 References

The following documents contain provisions which, through reference in this text, constitute provisions of the present document.

- References are either specific (identified by date of publication, edition number, version number, etc.) or non-specific.
- For a specific reference, subsequent revisions do not apply.
- For a non-specific reference, the latest version applies. In the case of a reference to a 3GPP document (including a GSM document), a non-specific reference implicitly refers to the latest version of that document *in the same Release as the present document*.

- [1] 3GPP TS 25.201: "Physical layer - general description".
- [2] 3GPP TS 25.211: "Physical channels and mapping of transport channels onto physical channels (FDD)."
- [3] 3GPP TS 25.101: "UE Radio transmission and Reception (FDD)".
- [4] 3GPP TS 25.104: "UTRA (BS) FDD; Radio transmission and Reception".
- [5] 3GPP TS 25.308: "UTRA High Speed Downlink Packet Access (HSDPA); Overall description".
- 

# 3 Symbols and abbreviations

## 3.1 Symbols

For the purposes of the present document, the following symbols apply:

|                   |   |
|-------------------|---|
| $C_{ch,SF,n}$ :   | $n$ :th channelisation code with spreading factor SF                              |
| $C_{pre,n,s}$ :   | PRACH preamble code for $n$ :th preamble scrambling code and signature $s$        |
| $C_{c-acc,n,s}$ : | PCPCH access preamble code for $n$ :th preamble scrambling code and signature $s$ |
| $C_{c-cd,n,s}$ :  | PCPCH CD preamble code for $n$ :th preamble scrambling code and signature $s$     |
| $C_{sig,s}$ :     | PRACH/PCPCH signature code for signature $s$                                      |
| $S_{dpch,n}$ :    | $n$ :th DPCCH/DPDCH uplink scrambling code  |
| $S_{r-pre,n}$ :   | $n$ :th PRACH preamble scrambling code  |
| $S_{r-msg,n}$ :   | $n$ :th PRACH message scrambling code   |
| $S_{c-acc}$ :     | $n$ :th PCPCH access preamble scrambling code                                     |
| $S_{c-cd}$ :      | $n$ :th PCPCH CD preamble scrambling code   |
| $S_{c-msg,n}$ :   | $n$ :th PCPCH message scrambling code   |
| $S_{dl,n}$ :      | DL scrambling code  |
| $C_{psc}$ :       | PSC code  |
| $C_{ssc,n}$ :     | $n$ :th SSC code  |

## 3.2 Abbreviations

For the purposes of the present document, the following abbreviations apply:

|          |   |
|----------|---|
| 16QAM    | 16 Quadrature Amplitude Modulation                      |
| AICH     | Acquisition Indicator Channel                           |
| AP       | Access Preamble   |
| BCH      | Broadcast Control Channel                               |
| CCPCH    | Common Control Physical Channel                         |
| CD       | Collision Detection                                     |
| CPCH     | Common Packet Channel                                   |
| CPICH    | Common Pilot Channel                                    |
| DCH      | Dedicated Channel                                       |
| DPCH     | Dedicated Physical Channel                              |
| DPCCH    | Dedicated Physical Control Channel                      |
| DPDCH    | Dedicated Physical Data Channel                         |
| FDD      | Frequency Division Duplex                               |
| HS-DPCCH | Dedicated Physical Control Channel (uplink) for HS-DSCH |
| HS-DSCH  | High Speed Downlink Shared Channel                      |
| HS-PDSCH | High Speed Physical Downlink Shared Channel             |
| HS-SCCH  | Shared Control Physical Channel for HS-DSCH             |
| Mcps     | Mega Chip Per Second                                    |
| OVSF     | Orthogonal Variable Spreading Factor (codes)            |
| PDSCH    | Physical Dedicated Shared Channel                       |
| PICH     | Page Indication Channel                                 |
| PRACH    | Physical Random Access Channel                          |
| PSC      | Primary Synchronisation Code                            |
| RACH     | Random Access Channel                                   |
| SCH      | Synchronisation Channel                                 |
| SSC      | Secondary Synchronisation Code                          |
| SF       | Spreading Factor  |
| UE       | User Equipment  |

---

## 4 Uplink spreading and modulation

### 4.1 Overview

Spreading is applied to the physical channels. It consists of two operations. The first is the channelisation operation, which transforms every data symbol into a number of chips, thus increasing the bandwidth of the signal. The number of chips per data symbol is called the Spreading Factor (SF). The second operation is the scrambling operation, where a scrambling code is applied to the spread signal.

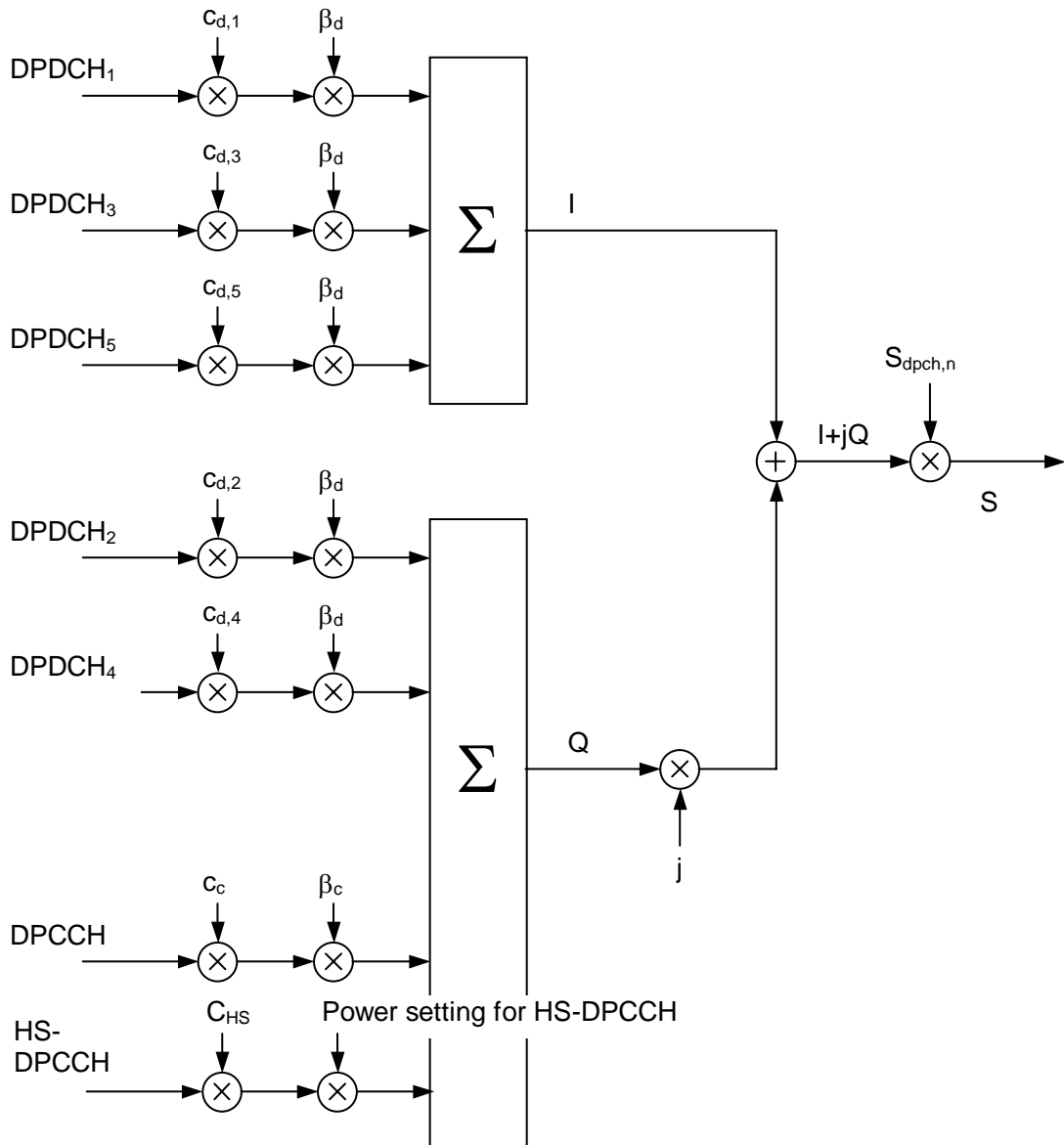
With the channelisation, data symbols on so-called I- and Q-branches are independently multiplied with an OVSF code. With the scrambling operation, the resultant signals on the I- and Q-branches are further multiplied by complex-valued scrambling code, where I and Q denote real and imaginary parts, respectively.

### 4.2 Spreading

#### 4.2.1 DPCCH/DPDCH/HS-DPCCH

Figure 1 illustrates the principle of the uplink spreading of DPCCH, DPDCHs and HS-DPCCH. The binary DPCCH, DPDCHs and HS-DPCCH to be spread are represented by real-valued sequences, i.e. the binary value "0" is mapped to the real value +1, while the binary value "1" is mapped to the real value -1. The DPCCH is spread to the chip rate by the channelisation code  $c_c$ . The  $n$ :th DPDCH called  $DPDCH_n$  is spread to the chip rate by the channelisation code  $c_{d,n}$ . The HS-DPCCH is spread to the chip rate by the channelisation code  $C_{HS}$ . One DPCCH, up to six parallel DPDCHs, and one HS-DPCCH can be transmitted simultaneously, i.e.  $1 \leq n \leq 6$ .





**Figure 1: Spreading for uplink DPCCH and DPDCHs**

After channelisation, the real-valued spread signals are weighted by gain factors,  $\beta_c$  for DPCCH and  $\beta_d$  for all DPDCHs.

At every instant in time, at least one of the values  $\beta_c$  and  $\beta_d$  has the amplitude 1.0. The  $\beta$ -values are quantized into 4 bit words. The quantization steps are given in table 1.

Table 1: The quantization of the gain parameters

| Signalling values for $\beta_c$ and $\beta_d$ | Quantized amplitude ratios $\beta_c$ and $\beta_d$ |
|---|--|
| 15  | 1.0  |
| 14  | 14/15  |
| 13  | 13/15  |
| 12  | 12/15  |
| 11  | 11/15  |
| 10  | 10/15  |
| 9   | 9/15   |
| 8   | 8/15   |
| 7   | 7/15   |
| 6   | 6/15   |
| 5   | 5/15   |
| 4   | 4/15   |
| 3   | 3/15   |
| 2   | 2/15   |
| 1   | 1/15   |
| 0   | Switch off   |

After the weighting, the stream of real-valued chips on the I- and Q-branches are then summed and treated as a complex-valued stream of chips. This complex-valued signal is then scrambled by the complex-valued scrambling code  $S_{\text{dpcch},n}$ . The scrambling code is applied aligned with the radio frames, i.e. the first scrambling chip corresponds to the beginning of a radio frame. HS-DPCCH is mapped to Q branch.

## 4.2.2 PRACH

### 4.2.2.1 PRACH preamble part

The PRACH preamble part consists of a complex-valued code, described in section 4.3.3.

### 4.2.2.2 PRACH message part

Figure 2 illustrates the principle of the spreading and scrambling of the PRACH message part, consisting of data and control parts. The binary control and data parts to be spread are represented by real-valued sequences, i.e. the binary value "0" is mapped to the real value +1, while the binary value "1" is mapped to the real value -1. The control part is spread to the chip rate by the channelisation code  $c_c$ , while the data part is spread to the chip rate by the channelisation code  $c_d$ .

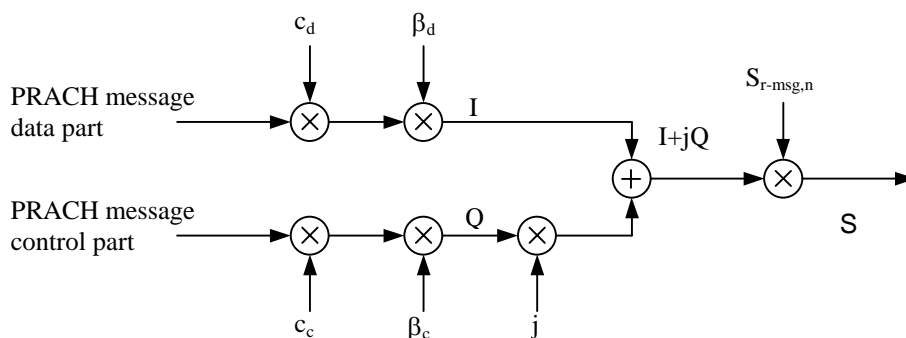


Figure 2: Spreading of PRACH message part

After channelisation, the real-valued spread signals are weighted by gain factors,  $\beta_c$  for the control part and  $\beta_d$  for the data part. At every instant in time, at least one of the values  $\beta_c$  and  $\beta_d$  has the amplitude 1.0. The  $\beta$ -values are quantized into 4 bit words. The quantization steps are given in section 4.2.1.

After the weighting, the stream of real-valued chips on the I- and Q-branches are treated as a complex-valued stream of chips. This complex-valued signal is then scrambled by the complex-valued scrambling code  $S_{r\text{-msg},n}$ . The 10 ms scrambling code is applied aligned with the 10 ms message part radio frames, i.e. the first scrambling chip corresponds to the beginning of a message part radio frame.

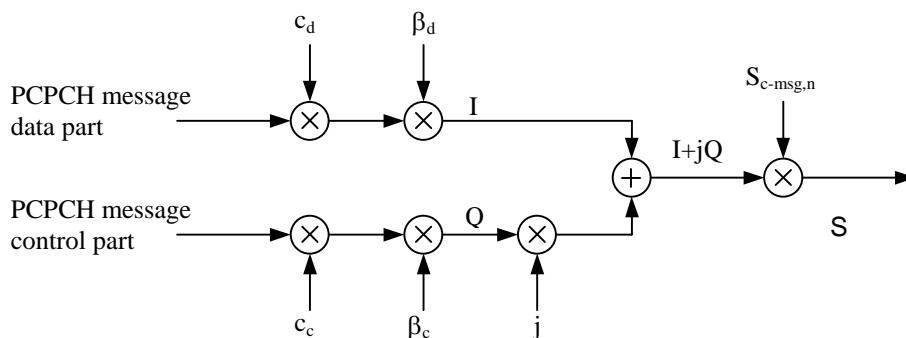
## 4.2.3 PCPCH

### 4.2.3.1 PCPCH preamble part

The PCPCH preamble part consists of a complex-valued code, described in section 4.3.4.

### 4.2.3.2 PCPCH message part

Figure 3 illustrates the principle of the spreading of the PCPCH message part, consisting of data and control parts. The binary control and data parts to be spread are represented by real-valued sequences, i.e. the binary value "0" is mapped to the real value +1, while the binary value "1" is mapped to the real value -1. The control part is spread to the chip rate by the channelisation code  $c_c$ , while the data part is spread to the chip rate by the channelisation code  $c_d$ .



**Figure 3: Spreading of PCPCH message part**

After channelisation, the real-valued spread signals are weighted by gain factors,  $\beta_c$  for the control part and  $\beta_d$  for the data part. At every instant in time, at least one of the values  $\beta_c$  and  $\beta_d$  has the amplitude 1.0. The  $\beta$ -values are quantized into 4 bit words. The quantization steps are given in section 4.2.1.

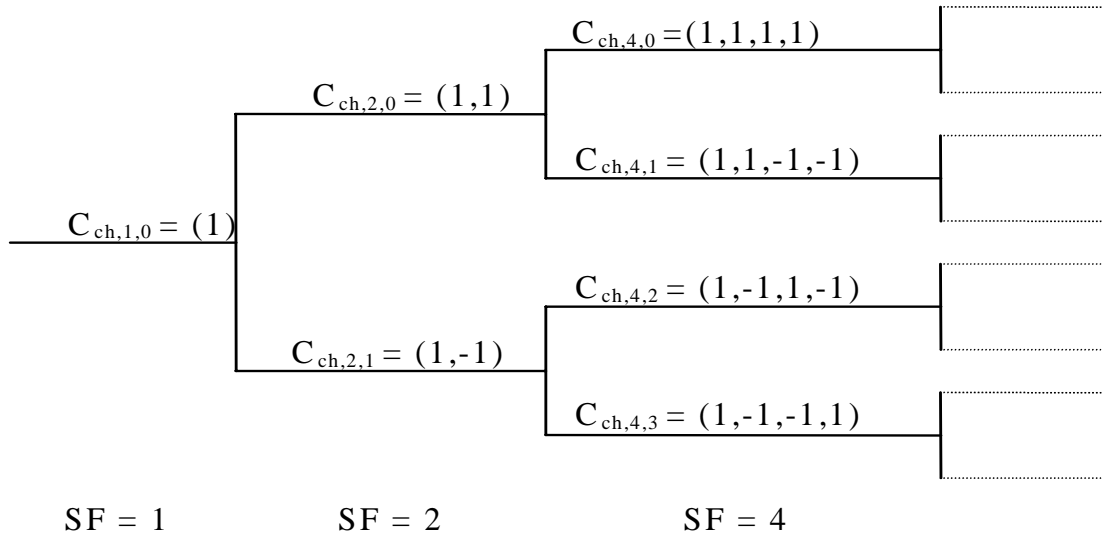
After the weighting, the stream of real-valued chips on the I- and Q-branches are treated as a complex-valued stream of chips. This complex-valued signal is then scrambled by the complex-valued scrambling code  $S_{c\text{-msg},n}$ . The 10 ms scrambling code is applied aligned with the 10 ms message part radio frames, i.e. the first scrambling chip corresponds to the beginning of a message part radio frame.

## 4.3 Code generation and allocation

### 4.3.1 Channelisation codes

#### 4.3.1.1 Code definition

The channelisation codes of figure 1 are Orthogonal Variable Spreading Factor (OVSF) codes that preserve the orthogonality between a user's different physical channels. The OVSF codes can be defined using the code tree of figure 4.



**Figure 4: Code-tree for generation of Orthogonal Variable Spreading Factor (OVSF) codes**

In figure 4, the channelisation codes are uniquely described as  $C_{ch,SF,k}$ , where SF is the spreading factor of the code and  $k$  is the code number,  $0 \leq k \leq SF-1$ .

Each level in the code tree defines channelisation codes of length SF, corresponding to a spreading factor of SF in figure 4.

The generation method for the channelisation code is defined as:

$$C_{ch,1,0} = 1,$$

$$\begin{bmatrix} C_{ch,2,0} \\ C_{ch,2,1} \end{bmatrix} = \begin{bmatrix} C_{ch,1,0} & C_{ch,1,0} \\ C_{ch,1,0} & -C_{ch,1,0} \end{bmatrix} = \begin{bmatrix} 1 & 1 \\ 1 & -1 \end{bmatrix}$$

$$\begin{bmatrix} C_{ch,2^{(n+1)},0} \\ C_{ch,2^{(n+1)},1} \\ C_{ch,2^{(n+1)},2} \\ C_{ch,2^{(n+1)},3} \\ \vdots \\ C_{ch,2^{(n+1)},2^{(n+1)-2}} \\ C_{ch,2^{(n+1)},2^{(n+1)-1}} \end{bmatrix} = \begin{bmatrix} C_{ch,2^n,0} & C_{ch,2^n,0} \\ C_{ch,2^n,0} & -C_{ch,2^n,0} \\ C_{ch,2^n,1} & C_{ch,2^n,1} \\ C_{ch,2^n,1} & -C_{ch,2^n,1} \\ \vdots & \vdots \\ C_{ch,2^n,2^{n-1}} & C_{ch,2^n,2^{n-1}} \\ C_{ch,2^n,2^{n-1}} & -C_{ch,2^n,2^{n-1}} \end{bmatrix}$$

The leftmost value in each channelisation code word corresponds to the chip transmitted first in time.

#### 4.3.1.2 Code allocation for DPCCH/DPDCH/HS-DPCCH

For the DPCCH, DPDCHs and HS-DPCCH the following applies:

- The DPCCH is always spread by code  $c_c = C_{ch,256,0}$ .
- The HS-DPCCH is spread by  $c_c = C_{ch,256,64}$ .
- When only one DPDCH is to be transmitted, DPDCH<sub>1</sub> is spread by code  $c_{d,1} = C_{ch,SF,k}$  where SF is the spreading factor of DPDCH<sub>1</sub> and  $k = SF / 4$ .
- When more than one DPDCH is to be transmitted, all DPDCHs have spreading factors equal to 4. DPDCH<sub>n</sub> is spread by the code  $c_{d,n} = C_{ch,4,k}$ , where  $k = 1$  if  $n \in \{1, 2\}$ ,  $k = 3$  if  $n \in \{3, 4\}$ , and  $k = 2$  if  $n \in \{5, 6\}$ .

If a power control preamble is used to initialise a DCH, the channelisation code for the DPCCCH during the power control preamble shall be the same as that to be used afterwards.

#### 4.3.1.3 Code allocation for PRACH message part

The preamble signature  $s$ ,  $0 \leq s \leq 15$ , points to one of the 16 nodes in the code-tree that corresponds to channelisation codes of length 16. The sub-tree below the specified node is used for spreading of the message part. The control part is spread with the channelisation code  $c_c$  (as shown in section 4.2.2.2) of spreading factor 256 in the lowest branch of the sub-tree, i.e.  $c_c = C_{ch,256,m}$  where  $m = 16 \times s + 15$ . The data part uses any of the channelisation codes from spreading factor 32 to 256 in the upper-most branch of the sub-tree. To be exact, the data part is spread by channelisation code  $c_d = C_{ch,SF,m}$  and SF is the spreading factor used for the data part and  $m = SF \times s / 16$ .

#### 4.3.1.4 Code allocation for PCPCH message part

For the control part and data part the following applies:

- The control part is always spread by code  $c_c = C_{ch,256,0}$ .
- The data part is spread by code  $c_d = C_{ch,SF,k}$  where SF is the spreading factor of the data part and  $k = SF/4$ .

The data part may use the code from spreading factor 4 to 256. A UE is allowed to increase SF during the message transmission on a frame by frame basis.

#### 4.3.1.5 Channelisation code for PCPCH power control preamble

The channelisation code for the PCPCH power control preamble is the same as that used for the control part of the message part, as described in section 4.3.1.4 above.

### 4.3.2 Scrambling codes

#### 4.3.2.1 General

All uplink physical channels are subjected to scrambling with a complex-valued scrambling code. The DPCCCH/DPDCH/HS-DPCCCH may be scrambled by either long or short scrambling codes, defined in section 4.3.2.4. The PRACH message part is scrambled with a long scrambling code, defined in section 4.3.2.5. Also the PCPCH message part is scrambled with a long scrambling code, defined in section 4.3.2.6.

There are  $2^{24}$  long and  $2^{24}$  short uplink scrambling codes. Uplink scrambling codes are assigned by higher layers.

The long scrambling code is built from constituent long sequences defined in section 4.3.2.2, while the constituent short sequences used to build the short scrambling code are defined in section 4.3.2.3.

#### 4.3.2.2 Long scrambling sequence

The long scrambling sequences  $c_{long,1,n}$  and  $c_{long,2,n}$  are constructed from position wise modulo 2 sum of 38400 chip segments of two binary  $m$ -sequences generated by means of two generator polynomials of degree 25. Let  $x$ , and  $y$  be the two  $m$ -sequences respectively. The  $x$  sequence is constructed using the primitive (over GF(2)) polynomial  $X^{25} + X^3 + 1$ . The  $y$  sequence is constructed using the polynomial  $X^{25} + X^3 + X^2 + X + 1$ . The resulting sequences thus constitute segments of a set of Gold sequences.

The sequence  $c_{long,2,n}$  is a 16777232 chip shifted version of the sequence  $c_{long,1,n}$ .

Let  $n_{23} \dots n_0$  be the 24 bit binary representation of the scrambling sequence number  $n$  with  $n_0$  being the least significant bit. The  $x$  sequence depends on the chosen scrambling sequence number  $n$  and is denoted  $x_n$ , in the sequel. Furthermore, let  $x_n(i)$  and  $y(i)$  denote the  $i$ :th symbol of the sequence  $x_n$  and  $y$ , respectively.

The  $m$ -sequences  $x_n$  and  $y$  are constructed as:

Initial conditions:

- $x_n(0) = n_0, x_n(1) = n_1, \dots, x_n(22) = n_{22}, x_n(23) = n_{23}, x_n(24) = 1$ .

- $y(0)=y(1)= \dots =y(23)= y(24)=1$ .

Recursive definition of subsequent symbols:

- $x_n(i+25) = x_n(i+3) + x_n(i) \text{ modulo } 2, i=0, \dots, 2^{25}-27$ .
- $y(i+25) = y(i+3)+y(i+2) +y(i+1) +y(i) \text{ modulo } 2, i=0, \dots, 2^{25}-27$ .

Define the binary Gold sequence  $z_n$  by:

- $z_n(i) = x_n(i) + y(i) \text{ modulo } 2, i = 0, 1, 2, \dots, 2^{25}-2$ .

The real valued Gold sequence  $Z_n$  is defined by:

$$Z_n(i) = \begin{cases} +1 & \text{if } z_n(i) = 0 \\ -1 & \text{if } z_n(i) = 1 \end{cases} \text{ for } i = 0, 1, \dots, 2^{25} - 2.$$

Now, the real-valued long scrambling sequences  $c_{\text{long},1,n}$  and  $c_{\text{long},2,n}$  are defined as follows:

$$c_{\text{long},1,n}(i) = Z_n(i), \quad i = 0, 1, 2, \dots, 2^{25} - 2 \text{ and}$$

$$c_{\text{long},2,n}(i) = Z_n((i + 16777232) \text{ modulo } (2^{25} - 1)), \quad i = 0, 1, 2, \dots, 2^{25} - 2.$$

Finally, the complex-valued long scrambling sequence  $C_{\text{long},n}$  is defined as:

$$C_{\text{long},n}(i) = c_{\text{long},1,n}(i) \left( 1 + j(-1)^i c_{\text{long},2,n}(2 \lfloor i/2 \rfloor) \right)$$

where  $i = 0, 1, \dots, 2^{25} - 2$  and  $\lfloor \cdot \rfloor$  denotes rounding to nearest lower integer.

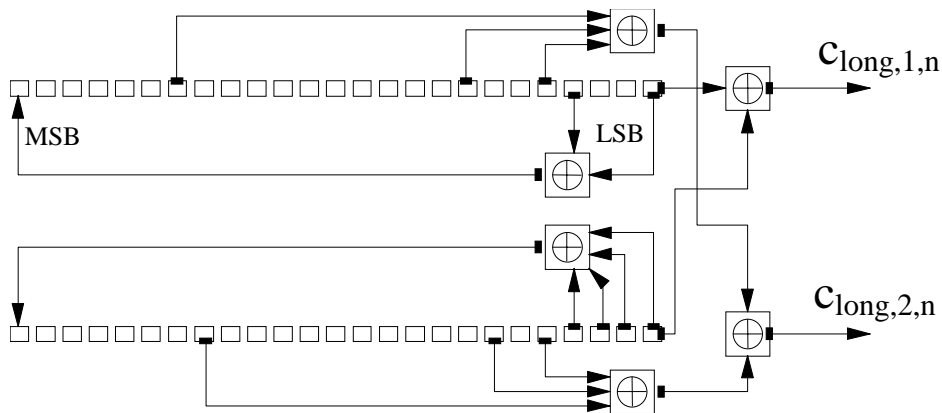


Figure 5: Configuration of uplink scrambling sequence generator

#### 4.3.2.3 Short scrambling sequence

The short scrambling sequences  $c_{\text{short},1,n}(i)$  and  $c_{\text{short},2,n}(i)$  are defined from a sequence from the family of periodically extended S(2) codes.

Let  $n_{23}n_{22} \dots n_0$  be the 24 bit binary representation of the code number  $n$ .

The  $n$ :th quaternary S(2) sequence  $z_n(i)$ ,  $0 \leq n \leq 16777215$ , is obtained by modulo 4 addition of three sequences, a quaternary sequence  $a(i)$  and two binary sequences  $b(i)$  and  $d(i)$ , where the initial loading of the three sequences is determined from the code number  $n$ . The sequence  $z_n(i)$  of length 255 is generated according to the following relation:

- $z_n(i) = a(i) + 2b(i) + 2d(i) \text{ modulo } 4, i = 0, 1, \dots, 254$ ;

where the quaternary sequence  $a(i)$  is generated recursively by the polynomial  $g_0(x) = x^8 + x^5 + 3x^3 + x^2 + 2x + 1$  as:

- $a(0) = 2n_0 + 1 \text{ modulo } 4$ ;

- $a(i) = 2n_i \text{ modulo } 4, i = 1, 2, \dots, 7;$
- $a(i) = 3a(i-3) + a(i-5) + 3a(i-6) + 2a(i-7) + 3a(i-8) \text{ modulo } 4, i = 8, 9, \dots, 254;$

and the binary sequence  $b(i)$  is generated recursively by the polynomial  $g_1(x) = x^8 + x^7 + x^5 + x + 1$  as

$$b(i) = n_{8+i} \text{ modulo } 2, i = 0, 1, \dots, 7,$$

$$b(i) = b(i-1) + b(i-3) + b(i-7) + b(i-8) \text{ modulo } 2, i = 8, 9, \dots, 254,$$

and the binary sequence  $d(i)$  is generated recursively by the polynomial  $g_2(x) = x^8 + x^7 + x^5 + x^4 + 1$  as:

$$d(i) = n_{16+i} \text{ modulo } 2, i = 0, 1, \dots, 7;$$

$$d(i) = d(i-1) + d(i-3) + d(i-4) + d(i-8) \text{ modulo } 2, i = 8, 9, \dots, 254.$$

The sequence  $z_n(i)$  is extended to length 256 chips by setting  $z_n(255) = z_n(0)$ .

The mapping from  $z_n(i)$  to the real-valued binary sequences  $c_{short,1,n}(i)$  and  $c_{short,2,n}(i), i = 0, 1, \dots, 255$  is defined in Table 2.

**Table 2: Mapping from  $z_n(i)$  to  $c_{short,1,n}(i)$  and  $c_{short,2,n}(i), i = 0, 1, \dots, 255$**

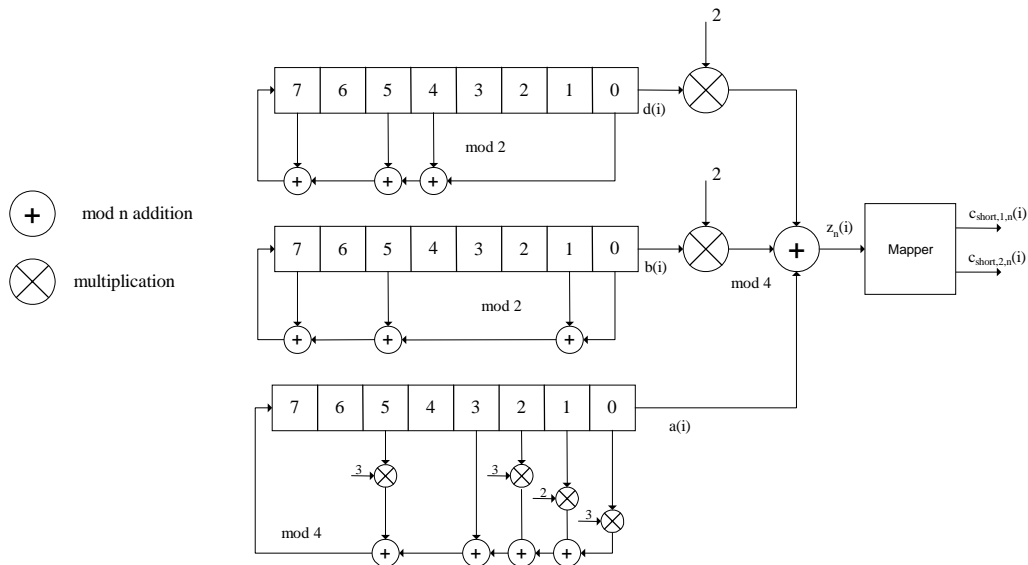
| $z_n(i)$ | $c_{short,1,n}(i)$ | $c_{short,2,n}(i)$ |
|----------|--------------------|--------------------|
| 0        | +1                 | +1                 |
| 1        | -1                 | +1                 |
| 2        | -1                 | -1                 |
| 3        | +1                 | -1                 |

Finally, the complex-valued short scrambling sequence  $C_{short,n}$  is defined as:

$$C_{short,n}(i) = c_{short,1,n}(i \text{ mod } 256) (1 + j(-1)^i c_{short,2,n}(2 \lfloor (i \text{ mod } 256) / 2 \rfloor))$$

where  $i = 0, 1, 2, \dots$  and  $\lfloor \cdot \rfloor$  denotes rounding to nearest lower integer.

An implementation of the short scrambling sequence generator for the 255 chip sequence to be extended by one chip is shown in Figure 6.



**Figure 6: Uplink short scrambling sequence generator for 255 chip sequence**

#### 4.3.2.4 DPCCH/DPDCH/HS-DPCCH scrambling code

The code used for scrambling of the uplink DPCCH/DPDCH/HS-DPCCH may be of either long or short type. When the scrambling code is formed, different constituent codes are used for the long and short type as defined below.

The  $n$ :th uplink scrambling code for DPCCH/DPDCH/HS-DPCCH, denoted  $S_{\text{dpch},n}$ , is defined as:

$$S_{\text{dpch},n}(i) = C_{\text{long},n}(i), \quad i = 0, 1, \dots, 38399, \text{ when using long scrambling codes};$$

where the lowest index corresponds to the chip transmitted first in time and  $C_{\text{long},n}$  is defined in section 4.3.2.2.

The  $n$ :th uplink scrambling code for DPCCH/DPDCH/HS-DPCCH, denoted  $S_{\text{dpch},n}$ , is defined as:

$$S_{\text{dpch},n}(i) = C_{\text{short},n}(i), \quad i = 0, 1, \dots, 38399, \text{ when using short scrambling codes};$$

where the lowest index corresponds to the chip transmitted first in time and  $C_{\text{short},n}$  is defined in section 4.3.2.3.

#### 4.3.2.5 PRACH message part scrambling code

The scrambling code used for the PRACH message part is 10 ms long, and there are 8192 different PRACH scrambling codes defined.

The  $n$ :th PRACH message part scrambling code, denoted  $S_{\text{r-msg},n}$ , where  $n = 0, 1, \dots, 8191$ , is based on the long scrambling sequence and is defined as:

$$S_{\text{r-msg},n}(i) = C_{\text{long},n}(i + 4096), \quad i = 0, 1, \dots, 38399$$

where the lowest index corresponds to the chip transmitted first in time and  $C_{\text{long},n}$  is defined in section 4.3.2.2.

The message part scrambling code has a one-to-one correspondence to the scrambling code used for the preamble part. For one PRACH, the same code number is used for both scrambling codes, i.e. if the PRACH preamble scrambling code used is  $S_{\text{r-pre},m}$  then the PRACH message part scrambling code is  $S_{\text{r-msg},m}$ , where the number  $m$  is the same for both codes.

#### 4.3.2.6 PCPCH message part scrambling code

The set of scrambling codes used for the PCPCH message part are 10 ms long, cell-specific, and each scrambling code has a one-to-one correspondence to the signature sequence and the access sub-channel used by the access preamble part. Both long or short scrambling codes can be used to scramble the CPCH message part. There are 64 uplink scrambling codes defined per cell and 32768 different PCPCH scrambling codes defined in the system.

The  $n$ :th PCPCH message part scrambling code, denoted  $S_{\text{c-msg},n}$ , where  $n = 8192, 8193, \dots, 40959$  is based on the scrambling sequence and is defined as:

In the case when the long scrambling codes are used:

$$S_{\text{c-msg},n}(i) = C_{\text{long},n}(i), \quad i = 0, 1, \dots, 38399$$

where the lowest index corresponds to the chip transmitted first in time and  $C_{\text{long},n}$  is defined in section 4.3.2.2.

In the case the short scrambling codes are used:

$$S_{\text{c-msg},n}(i) = C_{\text{short},n}(i), \quad i = 0, 1, \dots, 38399$$

The 32768 PCPCH scrambling codes are divided into 512 groups with 64 codes in each group. There is a one-to-one correspondence between the group of PCPCH preamble scrambling codes in a cell and the primary scrambling code used in the downlink of the cell. The  $k$ :th PCPCH scrambling code within the cell with downlink primary scrambling code  $m$ ,  $k = 16, 17, \dots, 79$  and  $m = 0, 1, 2, \dots, 511$ , is  $S_{\text{c-msg},n}$  as defined above with  $n = 64 \times m + k + 8176$ .

#### 4.3.2.7 PCPCH power control preamble scrambling code

The scrambling code for the PCPCH power control preamble is the same as for the PCPCH message part, as described in section 4.3.2.6 above. The phase of the scrambling code shall be such that the end of the code is aligned with the frame boundary at the end of the power control preamble.



### 4.3.3 PRACH preamble codes

#### 4.3.3.1 Preamble code construction

The random access preamble code  $C_{\text{pre},n}$ , is a complex valued sequence. It is built from a preamble scrambling code  $S_{\text{r-pre},n}$  and a preamble signature  $C_{\text{sig},s}$  as follows:

$$- C_{\text{pre},n,s}(k) = S_{\text{r-pre},n}(k) \times C_{\text{sig},s}(k) \times e^{j\left(\frac{\pi}{4} + \frac{\pi}{2}k\right)}, k = 0, 1, 2, 3, \dots, 4095;$$

where  $k=0$  corresponds to the chip transmitted first in time and  $S_{\text{r-pre},n}$  and  $C_{\text{sig},s}$  are defined in 4.3.3.2 and 4.3.3.3 below respectively.

#### 4.3.3.2 Preamble scrambling code

The scrambling code for the PRACH preamble part is constructed from the long scrambling sequences. There are 8192 PRACH preamble scrambling codes in total.

The  $n$ :th preamble scrambling code,  $n = 0, 1, \dots, 8191$ , is defined as:

$$S_{\text{r-pre},n}(i) = c_{\text{long},1,n}(i), i = 0, 1, \dots, 4095;$$

where the sequence  $c_{\text{long},1,n}$  is defined in section 4.3.2.2.

The 8192 PRACH preamble scrambling codes are divided into 512 groups with 16 codes in each group. There is a one-to-one correspondence between the group of PRACH preamble scrambling codes in a cell and the primary scrambling code used in the downlink of the cell. The  $k$ :th PRACH preamble scrambling code within the cell with downlink primary scrambling code  $m$ ,  $k = 0, 1, 2, \dots, 15$  and  $m = 0, 1, 2, \dots, 511$ , is  $S_{\text{r-pre},n}(i)$  as defined above with  $n = 16 \times m + k$ .

#### 4.3.3.3 Preamble signature

The preamble signature corresponding to a signature  $s$  consists of 256 repetitions of a length 16 signature  $P_s(n)$ ,  $n=0\dots 15$ . This is defined as follows:

$$- C_{\text{sig},s}(i) = P_s(i \text{ modulo } 16), i = 0, 1, \dots, 4095.$$

The signature  $P_s(n)$  is from the set of 16 Hadamard codes of length 16. These are listed in table 3.

**Table 3: Preamble signatures**

| Preamble signature | Value of $n$ |    |    |    |    |    |    |    |    |    |    |    |    |    |    |    |
|--------------------|--------------|----|----|----|----|----|----|----|----|----|----|----|----|----|----|----|
|                    | 0            | 1  | 2  | 3  | 4  | 5  | 6  | 7  | 8  | 9  | 10 | 11 | 12 | 13 | 14 | 15 |
| $P_0(n)$           | 1            | 1  | 1  | 1  | 1  | 1  | 1  | 1  | 1  | 1  | 1  | 1  | 1  | 1  | 1  | 1  |
| $P_1(n)$           | 1            | -1 | 1  | -1 | 1  | -1 | 1  | -1 | 1  | -1 | 1  | -1 | 1  | -1 | 1  | -1 |
| $P_2(n)$           | 1            | 1  | -1 | -1 | 1  | 1  | -1 | -1 | 1  | 1  | -1 | -1 | 1  | 1  | -1 | -1 |
| $P_3(n)$           | 1            | -1 | -1 | 1  | 1  | -1 | -1 | 1  | 1  | -1 | -1 | 1  | 1  | -1 | -1 | 1  |
| $P_4(n)$           | 1            | 1  | 1  | 1  | -1 | -1 | -1 | -1 | 1  | 1  | 1  | 1  | -1 | -1 | -1 | -1 |
| $P_5(n)$           | 1            | -1 | 1  | -1 | -1 | 1  | -1 | 1  | 1  | -1 | 1  | -1 | -1 | 1  | -1 | 1  |
| $P_6(n)$           | 1            | 1  | -1 | -1 | -1 | -1 | 1  | 1  | 1  | 1  | -1 | -1 | -1 | -1 | 1  | 1  |
| $P_7(n)$           | 1            | -1 | -1 | 1  | -1 | 1  | 1  | -1 | 1  | -1 | -1 | 1  | -1 | 1  | 1  | -1 |
| $P_8(n)$           | 1            | 1  | 1  | 1  | 1  | 1  | 1  | 1  | -1 | -1 | -1 | -1 | -1 | -1 | -1 | -1 |
| $P_9(n)$           | 1            | -1 | 1  | -1 | 1  | -1 | 1  | -1 | -1 | 1  | -1 | 1  | -1 | 1  | -1 | 1  |
| $P_{10}(n)$        | 1            | 1  | -1 | -1 | 1  | 1  | -1 | -1 | -1 | -1 | 1  | 1  | -1 | -1 | 1  | 1  |
| $P_{11}(n)$        | 1            | -1 | -1 | 1  | 1  | -1 | -1 | 1  | -1 | 1  | 1  | -1 | -1 | 1  | 1  | -1 |
| $P_{12}(n)$        | 1            | 1  | 1  | 1  | -1 | -1 | -1 | -1 | -1 | -1 | -1 | -1 | 1  | 1  | 1  | 1  |
| $P_{13}(n)$        | 1            | -1 | 1  | -1 | -1 | 1  | -1 | 1  | -1 | 1  | -1 | 1  | 1  | -1 | 1  | -1 |
| $P_{14}(n)$        | 1            | 1  | -1 | -1 | -1 | -1 | 1  | 1  | -1 | -1 | 1  | 1  | 1  | 1  | -1 | -1 |
| $P_{15}(n)$        | 1            | -1 | -1 | 1  | -1 | 1  | 1  | -1 | -1 | 1  | 1  | -1 | 1  | -1 | -1 | 1  |

## 4.3.4 PCPCH preamble codes

### 4.3.4.1 Access preamble

#### 4.3.4.1.1 Access preamble code construction

Similar to PRACH access preamble codes, the PCPCH access preamble codes  $C_{c\text{-acc},n,s}$  are complex valued sequences. The PCPCH access preamble codes are built from the preamble scrambling codes  $S_{c\text{-acc},n}$  and a preamble signature  $C_{\text{sig},s}$  as follows:

- $C_{c\text{-acc},n,s}(k) = S_{c\text{-acc},n}(k) \times C_{\text{sig},s}(k) \times e^{j(\frac{\pi}{4} + \frac{\pi}{2}k)}$ ,  $k = 0, 1, 2, 3, \dots, 4095$ ;
- where  $S_{c\text{-acc},n}$  and  $C_{\text{sig},s}$  are defined in section 4.3.4.1.2 and 4.3.4.1.3 below respectively.

#### 4.3.4.1.2 Access preamble scrambling code

The scrambling code for the PCPCH preamble part is constructed from the long scrambling sequences. There are 40960 PCPCH access preamble scrambling codes in total.

The  $n$ :th PCPCH access preamble scrambling code, where  $n = 0, \dots, 40959$  is defined as:

- $S_{c\text{-acc},n}(i) = c_{\text{long},1,n}(i)$ ,  $i = 0, 1, \dots, 4095$ ;

where the sequence  $c_{\text{long},1,n}$  is defined in section 4.3.2.2.

The 40960 PCPCH access preamble scrambling codes are divided into 512 groups with 80 codes in each group. There is a one-to-one correspondence between the group of PCPCH access preamble scrambling codes in a cell and the primary scrambling code used in the downlink of the cell. The  $k$ :th PCPCH scrambling code within the cell with downlink primary scrambling code  $m$ , for  $k = 0, \dots, 79$  and  $m = 0, 1, 2, \dots, 511$ , is  $S_{c\text{-acc},n}$  as defined above with  $n = 16 \times m + k$  for  $k = 0, \dots, 15$  and  $n = 64 \times m + (k - 16) + 8192$  for  $k = 16, \dots, 79$ .

The index  $k = 0, \dots, 15$  may only be used as a PCPCH access preamble part scrambling code if the same code is also used for a PRACH.

The index  $k = 16, \dots, 79$  correspond to PCPCH access preamble scrambling codes which are not shared together with a PRACH. This leads to 32768 PCPCH specific preamble scrambling codes divided into 512 groups with 64 elements.

#### 4.3.4.1.3 Access preamble signature

The access preamble part of the CPCH-access burst carries one of the sixteen different orthogonal complex signatures identical to the ones used by the preamble part of the random-access burst.

### 4.3.4.2 CD preamble

#### 4.3.4.2.1 CD preamble code construction

Similar to PRACH access preamble codes, the PCPCH CD preamble codes  $C_{c\text{-cd},n,s}$  are complex valued sequences. The PCPCH CD preamble codes are built from the preamble scrambling codes  $S_{c\text{-cd},n}$  and a preamble signature  $C_{\text{sig},s}$  as follows:

- $C_{c\text{-cd},n,s}(k) = S_{c\text{-cd},n}(k) \times C_{\text{sig},s}(k) \times e^{j(\frac{\pi}{4} + \frac{\pi}{2}k)}$ ,  $k = 0, 1, 2, 3, \dots, 4095$ ;

where  $S_{c\text{-cd},n}$  and  $C_{\text{sig},s}$  are defined in sections 4.3.4.2.2 and 4.3.4.2.3 below respectively.

#### 4.3.4.2.2 CD preamble scrambling code

There are 40960 PCPCH-CD preamble scrambling codes in total.

The  $n$ :th PCPCH CD access preamble scrambling code, where  $n = 0, \dots, 40959$ , is defined as:

$$- S_{c-cd,n}(i) = c_{\text{long},1,n}(i), i = 0, 1, \dots, 4095;$$

where the sequence  $c_{\text{long},1,n}$  is defined in section 4.3.2.2.

The 40960 PCPCH scrambling codes are divided into 512 groups with 80 codes in each group. There is a one-to-one correspondence between the group of PCPCH CD preamble scrambling codes in a cell and the primary scrambling code used in the downlink of the cell. The  $k$ :th PCPCH scrambling code within the cell with downlink primary scrambling code  $m$ ,  $k = 0, 1, \dots, 79$  and  $m = 0, 1, 2, \dots, 511$ , is  $S_{c-cd,n}$  as defined above with  $n = 16 \times m + k$  for  $k = 0, \dots, 15$  and  $n = 64 \times m + (k - 16) + 8192$  for  $k = 16, \dots, 79$ .

The index  $k = 0, \dots, 15$  may only be used as a PCPCH CD preamble part scrambling code if the same code is also used for a PRACH.

The index  $k = 16, \dots, 79$  correspond to PCPCH CD preamble scrambling codes which are not shared together with a PRACH. This leads to 32768 PCPCH specific preamble scrambling codes divided into 512 groups with 64 elements.

#### 4.3.4.2.3 CD preamble signature

The CD-preamble part of the CPCH-access burst carries one of sixteen different orthogonal complex signatures identical to the ones used by the preamble part of the random-access burst.

## 4.4 Modulation

### 4.4.1 Modulating chip rate

The modulating chip rate is 3.84 Mcps.

### 4.4.2 Modulation

In the uplink, the complex-valued chip sequence generated by the spreading process is QPSK modulated as shown in Figure 7 below:

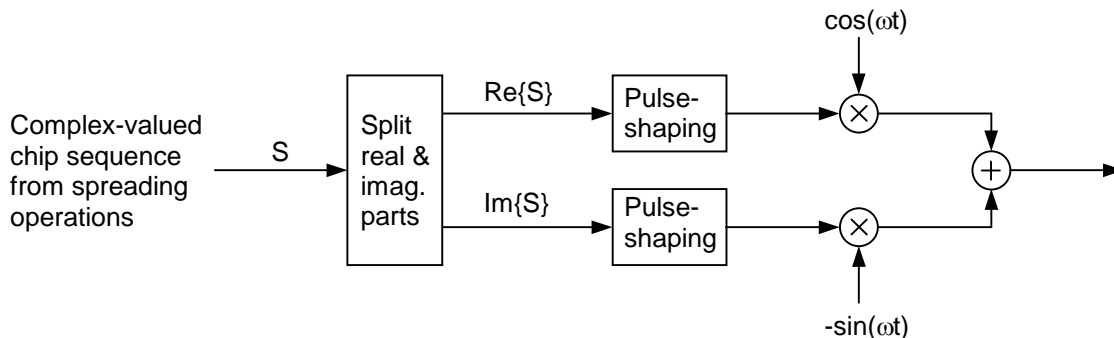


Figure 7: Uplink modulation

The pulse-shaping characteristics are described in [3].

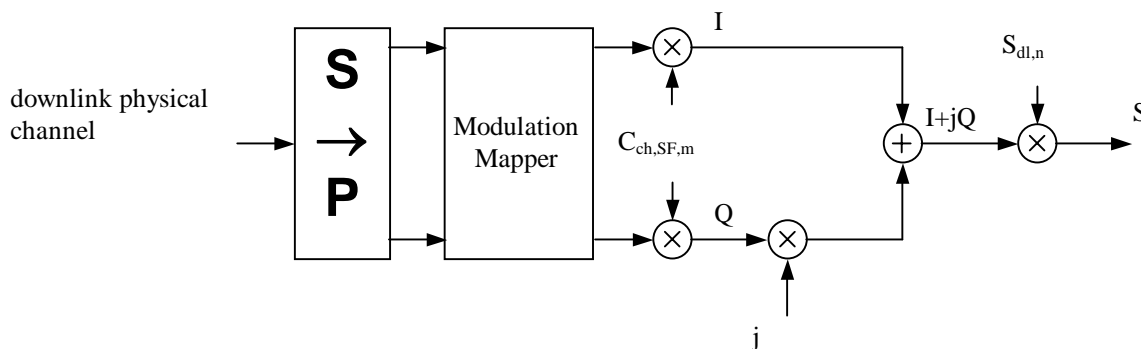
## 5 Downlink spreading and modulation

### 5.1 Spreading

Figure 8 illustrates the spreading operation for the physical channel except SCH. The behaviour of the modulation mapper is different between QPSK and 16QAM. The physical channel using QPSK are P-CCPCH, S-CCPCH, CPICH, AICH, AP-AICH, CSICH, CD/CA-ICH, PICH, PDSCH, HS-SCCH and downlink DPCH. The SCH consists of a sequence of real-valued symbols. The physical channel using both QPSK and 16 QAM is HS-DSCH. For all channels

except the indicator channels using signatures (AICH, AP-AICH and CD/CA-ICH) and HS-PDSCH the symbols can take the three values +1, -1, and 0, where 0 indicates DTX. For the indicator channels using signatures, the symbol values depend on the exact combination of indicators to be transmitted, compare [2] Sections 5.3.3.7, 5.3.3.8 and 5.3.3.9.

For physical channel using QPSK each pair of two consecutive symbols is first serial-to-parallel converted and mapped to an I and Q branch. The behaviour of the modulation mapper is such that even and odd numbered symbols are mapped to the I and Q branch respectively. For all channels using QPSK except the indicator channels using signatures, symbol number zero is defined as the first symbol in each frame. For the indicator channels using signatures, symbol number zero is defined as the first symbol in each access slot. The I and Q branches are then both spread to the chip rate by the same real-valued channelisation code  $C_{ch,SF,m}$ . The channelisation code sequence shall be aligned in time with the symbol boundary. The sequences of real-valued chips on the I and Q branch are then treated as a single complex-valued sequence of chips. This sequence of chips is scrambled (complex chip-wise multiplication) by a complex-valued scrambling code  $S_{dl,n}$ . In case of P-CCPCH, the scrambling code is applied aligned with the P-CCPCH frame boundary, i.e. the first complex chip of the spread P-CCPCH frame is multiplied with chip number zero of the scrambling code. In case of other downlink channels, the scrambling code is applied aligned with the scrambling code applied to the P-CCPCH. In this case, the scrambling code is thus not necessarily applied aligned with the frame boundary of the physical channel to be scrambled.



**Figure 8: Spreading for all downlink physical channels except SCH**

For physical channel using 16QAM, a set of consecutive symbols is serial-to-parallel converted and then mapped to 16QAM by Modulation mapper. The I and Q branches are then both spread to the chip rate by the same real-valued channelisation code  $C_{ch,16,m}$ . The channelisation code sequence shall be aligned in time with the symbol boundary. The sequences of real-valued chips on the I and Q branch are then treated as a single complex-valued sequence of chips. This sequence of chips from all multi-codes is summed and then scrambled (complex chip-wise multiplication) by a complex-valued scrambling code  $S_{dl,n}$ . The scrambling code is applied aligned with the scrambling code applied to the P-CCPCH.

The serial to parallel conversion uses four bits which result in index bits allocated to I and Q according to table 4. These index bits are mapped to the modulated constellation symbols as illustrated in figure xx.

Table 4: 16 QAM index bits

|             |       |       |       |       |
|-------------|-------|-------|-------|-------|
| <b>i</b>    | 0     | 1     | 2     | 3     |
| <b>b(i)</b> | $i_1$ | $q_1$ | $i_2$ | $q_2$ |

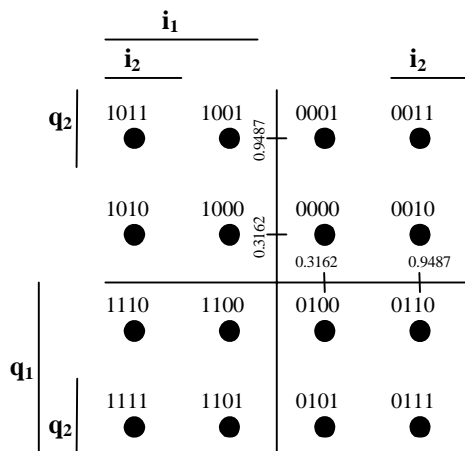


Figure 9: 16 QAM constellation

Figure 10 illustrates how different downlink channels are combined. Each complex-valued spread channel, corresponding to point S in Figure 8, is separately weighted by a weight factor  $G_i$ . The complex-valued P-SCH and S-SCH, as described in [2], section 5.3.3.4, are separately weighted by weight factors  $G_p$  and  $G_s$ . All downlink physical channels are then combined using complex addition.

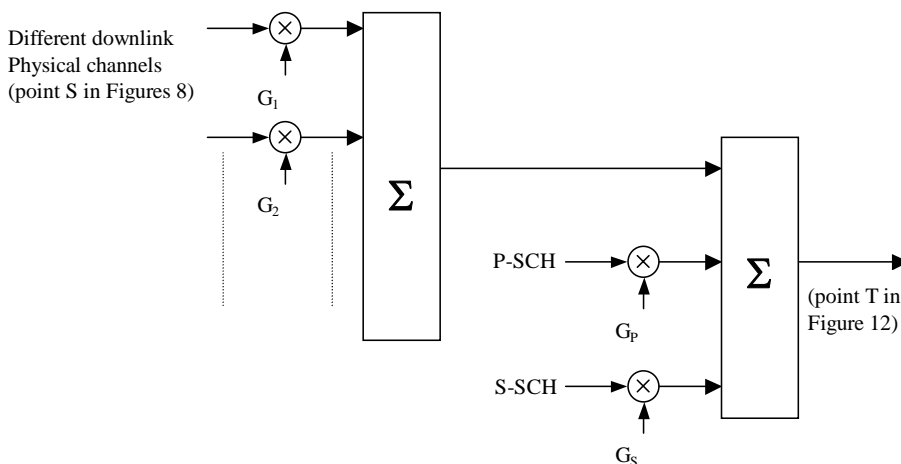


Figure 10: Spreading and modulation for SCH and P-CCPCH

## 5.2 Code generation and allocation

### 5.2.1 Channelisation codes

The channelisation codes of figure 8 are the same codes as used in the uplink, namely Orthogonal Variable Spreading Factor (OVSF) codes that preserve the orthogonality between downlink channels of different rates and spreading factors. The OVSF codes are defined in figure 4 in section 4.3.1.

The channelisation code for the Primary CPICH is fixed to  $C_{ch,256,0}$  and the channelisation code for the Primary CCPCH is fixed to  $C_{ch,256,1}$ . The channelisation codes for all other physical channels are assigned by UTRAN.

With the spreading factor 512 a specific restriction is applied. When the code word  $C_{ch,512,n}$ , with  $n=0,2,4,\dots,510$ , is used in soft handover, then the code word  $C_{ch,512,n+1}$  is not allocated in the cells where timing adjustment is to be used. Respectively if  $C_{ch,512,n}$ , with  $n=1,3,5,\dots,511$  is used, then the code word  $C_{ch,512,n-1}$  is not allocated in the cells where

timing adjustment is to be used. This restriction shall not apply in cases where timing adjustments in soft handover are not used with spreading factor 512.

When compressed mode is implemented by reducing the spreading factor by 2, the OVSF code used for compressed frames is:

- $C_{ch,SF/2,\lfloor n/2 \rfloor}$  if ordinary scrambling code is used.
- $C_{ch,SF/2,n \bmod SF/2}$  if alternative scrambling code is used (see section 5.2.2);

where  $C_{ch,SF,n}$  is the channelisation code used for non-compressed frames.

In case the OVSF code on the PDSCH varies from frame to frame, the OVSF codes shall be allocated in such a way that the OVSF code(s) below the smallest spreading factor will be from the branch of the code tree pointed by the code with smallest spreading factor used for the connection which is called PDSCH root channelisation code. This means that all the codes for this UE for the PDSCH connection can be generated according to the OVSF code generation principle from the PDSCH root channelisation code i.e. the code with smallest spreading factor used by the UE on PDSCH.

In case of mapping the DSCH to multiple parallel PDSCHs, the same rule applies, but all of the branches identified by the multiple codes, corresponding to the smallest spreading factor, may be used for higher spreading factor allocation i.e. the multiple codes with smallest spreading factor can be considered as PDSCH root channelisation codes.

For HS-PDSCH, the spreading factor is always 16.

For HS-SCCH, the spreading factor is always 128.

Channelisation-code-set information over HS-SCCH is mapped in following manner: the OVSF codes shall be allocated in such a way that they are positioned in sequence in the code tree. That is, for M multicode at offset P the following codes are allocated:

$$C_{ch,P,16} - C_{ch,P+M-1,16}$$

The number of multicode and the corresponding offset for a given HS-DSCH is signaled on the HS-SCCH, where the following algorithm is used for the encoding using 7 information bits:

$$\text{Three first bits (Code group indicator): } [x_{ccs,1}, x_{ccs,2}, x_{ccs,3}] = \min(M-1, 15-M)$$

$$\text{Four last bits: (Code offset indicator): } [x_{ccs,4}, x_{ccs,5}, x_{ccs,6}, x_{ccs,7}] = \lfloor P-1 \rfloor \lfloor M/8 \rfloor * 15$$

where  $\lfloor \cdot \rfloor$  denotes rounding to nearest lower integer.

## 5.2.2 Scrambling code

A total of  $2^{18}-1 = 262,143$  scrambling codes, numbered  $0 \dots 262,142$  can be generated. However not all the scrambling codes are used. The scrambling codes are divided into 512 sets each of a primary scrambling code and 15 secondary scrambling codes.

The primary scrambling codes consist of scrambling codes  $n=16*i$  where  $i=0 \dots 511$ . The  $i$ :th set of secondary scrambling codes consists of scrambling codes  $16*i+k$ , where  $k=1 \dots 15$ .

There is a one-to-one mapping between each primary scrambling code and 15 secondary scrambling codes in a set such that  $i$ :th primary scrambling code corresponds to  $i$ :th set of secondary scrambling codes.

Hence, according to the above, scrambling codes  $k = 0, 1, \dots, 8191$  are used. Each of these codes are associated with a left alternative scrambling code and a right alternative scrambling code, that may be used for compressed frames. The left alternative scrambling code corresponding to scrambling code  $k$  is scrambling code number  $k + 8192$ , while the right alternative scrambling code corresponding to scrambling code  $k$  is scrambling code number  $k + 16384$ . The alternative scrambling codes can be used for compressed frames. In this case, the left alternative scrambling code is used if  $n < SF/2$  and the right alternative scrambling code is used if  $n \geq SF/2$ , where  $c_{ch,SF,n}$  is the channelisation code used for non-compressed frames. The usage of alternative scrambling code for compressed frames is signalled by higher layers for each physical channel respectively.

The set of primary scrambling codes is further divided into 64 scrambling code groups, each consisting of 8 primary scrambling codes. The  $j$ :th scrambling code group consists of primary scrambling codes  $16*8*j+16*k$ , where  $j=0 \dots 63$  and  $k=0 \dots 7$ .

Each cell is allocated one and only one primary scrambling code. The primary CCPCH, primary CPICH, PICH, AICH, AP-AICH, CD/CA-ICH, CSICH and S-CCPCH carrying PCH are always transmitted using the primary scrambling code. The other downlink physical channels can be transmitted with either the primary scrambling code or a secondary scrambling code from the set associated with the primary scrambling code of the cell.

The mixture of primary scrambling code and secondary scrambling code for one CCTrCH is allowable. However, in the case of the CCTrCH of type DSCH then all the PDSCH channelisation codes that a single UE may receive shall be under a single scrambling code (either the primary or a secondary scrambling code). In the case of CCTrCH of type of HS-DSCH then all the HS-PDSCH channelisation codes and HS-SCCH that a single UE may receive shall be under a single scrambling code (either the primary or a secondary scrambling code).

The scrambling code sequences are constructed by combining two real sequences into a complex sequence. Each of the two real sequences are constructed as the position wise modulo 2 sum of 38400 chip segments of two binary  $m$ -sequences generated by means of two generator polynomials of degree 18. The resulting sequences thus constitute segments of a set of Gold sequences. The scrambling codes are repeated for every 10 ms radio frame. Let  $x$  and  $y$  be the two sequences respectively. The  $x$  sequence is constructed using the primitive (over GF(2)) polynomial  $1+X^7+X^{18}$ . The  $y$  sequence is constructed using the polynomial  $1+X^5+X^7+X^{10}+X^{18}$ .

The sequence depending on the chosen scrambling code number  $n$  is denoted  $z_n$ , in the sequel. Furthermore, let  $x(i)$ ,  $y(i)$  and  $z_n(i)$  denote the  $i$ :th symbol of the sequence  $x$ ,  $y$ , and  $z_n$ , respectively.

The  $m$ -sequences  $x$  and  $y$  are constructed as:

Initial conditions:

- $x$  is constructed with  $x(0)=1$ ,  $x(1)=x(2)=\dots=x(16)=x(17)=0$ .
- $y(0)=y(1)=\dots=y(16)=y(17)=1$ .

Recursive definition of subsequent symbols:

- $x(i+18) = x(i+7) + x(i)$  modulo 2,  $i=0, \dots, 2^{18}-20$ .
- $y(i+18) = y(i+10)+y(i+7)+y(i+5)+y(i)$  modulo 2,  $i=0, \dots, 2^{18}-20$ .

The  $n$ :th Gold code sequence  $z_n$ ,  $n=0,1,2,\dots,2^{18}-2$ , is then defined as:

- $z_n(i) = x((i+n) \text{ modulo } (2^{18} - 1)) + y(i)$  modulo 2,  $i=0, \dots, 2^{18}-2$ .

These binary sequences are converted to real valued sequences  $Z_n$  by the following transformation:

$$Z_n(i) = \begin{cases} +1 & \text{if } z_n(i) = 0 \\ -1 & \text{if } z_n(i) = 1 \end{cases} \quad \text{for } i = 0, 1, \dots, 2^{18} - 2.$$

Finally, the  $n$ :th complex scrambling code sequence  $S_{dl,n}$  is defined as:

- $S_{dl,n}(i) = Z_n(i) + j Z_n((i+131072) \text{ modulo } (2^{18}-1))$ ,  $i=0,1,\dots,38399$ .

Note that the pattern from phase 0 up to the phase of 38399 is repeated.

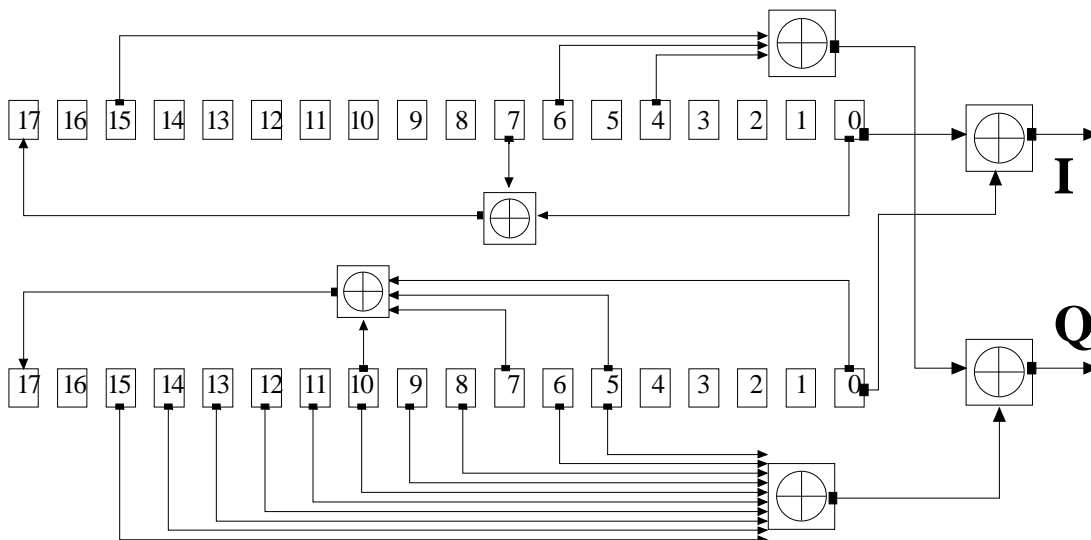


Figure 11: Configuration of downlink scrambling code generator

### 5.2.3 Synchronisation codes

#### 5.2.3.1 Code generation

The primary synchronisation code (PSC),  $C_{psc}$  is constructed as a so-called generalised hierarchical Golay sequence. The PSC is furthermore chosen to have good aperiodic auto correlation properties.

Define:

- $a = \langle x_1, x_2, x_3, \dots, x_{16} \rangle = \langle 1, 1, 1, 1, 1, 1, -1, -1, 1, -1, 1, -1, 1, -1, -1, 1 \rangle$

The PSC is generated by repeating the sequence  $a$  modulated by a Golay complementary sequence, and creating a complex-valued sequence with identical real and imaginary components. The PSC  $C_{psc}$  is defined as:

- $C_{psc} = (1 + j) \times \langle a, a, a, -a, -a, a, -a, -a, a, a, a, -a, a, -a, a, a \rangle$ ;

where the leftmost chip in the sequence corresponds to the chip transmitted first in time.

The 16 secondary synchronization codes (SSCs),  $\{C_{ssc,1}, \dots, C_{ssc,16}\}$ , are complex-valued with identical real and imaginary components, and are constructed from position wise multiplication of a Hadamard sequence and a sequence  $z$ , defined as:

- $z = \langle b, b, b, -b, b, b, -b, -b, b, -b, b, -b, -b, -b, -b \rangle$ , where
- $b = \langle x_1, x_2, x_3, x_4, x_5, x_6, x_7, x_8, -x_9, -x_{10}, -x_{11}, -x_{12}, -x_{13}, -x_{14}, -x_{15}, -x_{16} \rangle$  and  $x_1, x_2, \dots, x_{15}, x_{16}$ , are same as in the definition of the sequence  $a$  above.

The Hadamard sequences are obtained as the rows in a matrix  $H_8$  constructed recursively by:

$$H_0 = (1)$$

$$H_k = \begin{pmatrix} H_{k-1} & H_{k-1} \\ H_{k-1} & -H_{k-1} \end{pmatrix}, \quad k \geq 1$$

The rows are numbered from the top starting with row 0 (the all ones sequence).

Denote the  $n$ :th Hadamard sequence as a row of  $H_8$  numbered from the top,  $n = 0, 1, 2, \dots, 255$ , in the sequel.



Furthermore, let  $h_n(i)$  and  $z(i)$  denote the  $i$ :th symbol of the sequence  $h_n$  and  $z$ , respectively where  $i = 0, 1, 2, \dots, 255$  and  $i = 0$  corresponds to the leftmost symbol.

The  $k$ :th SSC,  $C_{\text{SSC},k}$ ,  $k = 1, 2, 3, \dots, 16$  is then defined as:

$$- C_{\text{SSC},k} = (1 + j) \times \langle h_m(0) \times z(0), h_m(1) \times z(1), h_m(2) \times z(2), \dots, h_m(255) \times z(255) \rangle;$$

where  $m = 16 \times (k - 1)$  and the leftmost chip in the sequence corresponds to the chip transmitted first in time.

### 5.2.3.2 Code allocation of SSC

The 64 secondary SCH sequences are constructed such that their cyclic-shifts are unique, i.e., a non-zero cyclic shift less than 15 of any of the 64 sequences is not equivalent to some cyclic shift of any other of the 64 sequences. Also, a non-zero cyclic shift less than 15 of any of the sequences is not equivalent to itself with any other cyclic shift less than 15. Table 5 describes the sequences of SSCs used to encode the 64 different scrambling code groups. The entries in table 5 denote what SSC to use in the different slots for the different scrambling code groups, e.g. the entry "7" means that SSC  $C_{\text{SSC},7}$  shall be used for the corresponding scrambling code group and slot.

**Table 5: Allocation of SSCs for secondary SCH**

| Scrambling Code Group | slot number |    |    |    |    |    |    |    |    |    |     |     |     |     |     |
|-----------------------|-------------|----|----|----|----|----|----|----|----|----|-----|-----|-----|-----|-----|
|                       | #0          | #1 | #2 | #3 | #4 | #5 | #6 | #7 | #8 | #9 | #10 | #11 | #12 | #13 | #14 |
| Group 0               | 1           | 1  | 2  | 8  | 9  | 10 | 15 | 8  | 10 | 16 | 2   | 7   | 15  | 7   | 16  |
| Group 1               | 1           | 1  | 5  | 16 | 7  | 3  | 14 | 16 | 3  | 10 | 5   | 12  | 14  | 12  | 10  |
| Group 2               | 1           | 2  | 1  | 15 | 5  | 5  | 12 | 16 | 6  | 11 | 2   | 16  | 11  | 15  | 12  |
| Group 3               | 1           | 2  | 3  | 1  | 8  | 6  | 5  | 2  | 5  | 8  | 4   | 4   | 6   | 3   | 7   |
| Group 4               | 1           | 2  | 16 | 6  | 6  | 11 | 15 | 5  | 12 | 1  | 15  | 12  | 16  | 11  | 2   |
| Group 5               | 1           | 3  | 4  | 7  | 4  | 1  | 5  | 5  | 3  | 6  | 2   | 8   | 7   | 6   | 8   |
| Group 6               | 1           | 4  | 11 | 3  | 4  | 10 | 9  | 2  | 11 | 2  | 10  | 12  | 12  | 9   | 3   |
| Group 7               | 1           | 5  | 6  | 6  | 14 | 9  | 10 | 2  | 13 | 9  | 2   | 5   | 14  | 1   | 13  |
| Group 8               | 1           | 6  | 10 | 10 | 4  | 11 | 7  | 13 | 16 | 11 | 13  | 6   | 4   | 1   | 16  |
| Group 9               | 1           | 6  | 13 | 2  | 14 | 2  | 6  | 5  | 5  | 13 | 10  | 9   | 1   | 14  | 10  |
| Group 10              | 1           | 7  | 8  | 5  | 7  | 2  | 4  | 3  | 8  | 3  | 2   | 6   | 6   | 4   | 5   |
| Group 11              | 1           | 7  | 10 | 9  | 16 | 7  | 9  | 15 | 1  | 8  | 16  | 8   | 15  | 2   | 2   |
| Group 12              | 1           | 8  | 12 | 9  | 9  | 4  | 13 | 16 | 5  | 1  | 13  | 5   | 12  | 4   | 8   |
| Group 13              | 1           | 8  | 14 | 10 | 14 | 1  | 15 | 15 | 8  | 5  | 11  | 4   | 10  | 5   | 4   |
| Group 14              | 1           | 9  | 2  | 15 | 15 | 16 | 10 | 7  | 8  | 1  | 10  | 8   | 2   | 16  | 9   |
| Group 15              | 1           | 9  | 15 | 6  | 16 | 2  | 13 | 14 | 10 | 11 | 7   | 4   | 5   | 12  | 3   |
| Group 16              | 1           | 10 | 9  | 11 | 15 | 7  | 6  | 4  | 16 | 5  | 2   | 12  | 13  | 3   | 14  |
| Group 17              | 1           | 11 | 14 | 4  | 13 | 2  | 9  | 10 | 12 | 16 | 8   | 5   | 3   | 15  | 6   |
| Group 18              | 1           | 12 | 12 | 13 | 14 | 7  | 2  | 8  | 14 | 2  | 1   | 13  | 11  | 8   | 11  |
| Group 19              | 1           | 12 | 15 | 5  | 4  | 14 | 3  | 16 | 7  | 8  | 6   | 2   | 10  | 11  | 13  |
| Group 20              | 1           | 15 | 4  | 3  | 7  | 6  | 10 | 13 | 12 | 5  | 14  | 16  | 8   | 2   | 11  |
| Group 21              | 1           | 16 | 3  | 12 | 11 | 9  | 13 | 5  | 8  | 2  | 14  | 7   | 4   | 10  | 15  |
| Group 22              | 2           | 2  | 5  | 10 | 16 | 11 | 3  | 10 | 11 | 8  | 5   | 13  | 3   | 13  | 8   |
| Group 23              | 2           | 2  | 12 | 3  | 15 | 5  | 8  | 3  | 5  | 14 | 12  | 9   | 8   | 9   | 14  |
| Group 24              | 2           | 3  | 6  | 16 | 12 | 16 | 3  | 13 | 13 | 6  | 7   | 9   | 2   | 12  | 7   |
| Group 25              | 2           | 3  | 8  | 2  | 9  | 15 | 14 | 3  | 14 | 9  | 5   | 5   | 15  | 8   | 12  |
| Group 26              | 2           | 4  | 7  | 9  | 5  | 4  | 9  | 11 | 2  | 14 | 5   | 14  | 11  | 16  | 16  |
| Group 27              | 2           | 4  | 13 | 12 | 12 | 7  | 15 | 10 | 5  | 2  | 15  | 5   | 13  | 7   | 4   |
| Group 28              | 2           | 5  | 9  | 9  | 3  | 12 | 8  | 14 | 15 | 12 | 14  | 5   | 3   | 2   | 15  |
| Group 29              | 2           | 5  | 11 | 7  | 2  | 11 | 9  | 4  | 16 | 7  | 16  | 9   | 14  | 14  | 4   |
| Group 30              | 2           | 6  | 2  | 13 | 3  | 3  | 12 | 9  | 7  | 16 | 6   | 9   | 16  | 13  | 12  |
| Group 31              | 2           | 6  | 9  | 7  | 7  | 16 | 13 | 3  | 12 | 2  | 13  | 12  | 9   | 16  | 6   |
| Group 32              | 2           | 7  | 12 | 15 | 2  | 12 | 4  | 10 | 13 | 15 | 13  | 4   | 5   | 5   | 10  |
| Group 33              | 2           | 7  | 14 | 16 | 5  | 9  | 2  | 9  | 16 | 11 | 11  | 5   | 7   | 4   | 14  |
| Group 34              | 2           | 8  | 5  | 12 | 5  | 2  | 14 | 14 | 8  | 15 | 3   | 9   | 12  | 15  | 9   |
| Group 35              | 2           | 9  | 13 | 4  | 2  | 13 | 8  | 11 | 6  | 4  | 6   | 8   | 15  | 15  | 11  |
| Group 36              | 2           | 10 | 3  | 2  | 13 | 16 | 8  | 10 | 8  | 13 | 11  | 11  | 16  | 3   | 5   |
| Group 37              | 2           | 11 | 15 | 3  | 11 | 6  | 14 | 10 | 15 | 10 | 6   | 7   | 7   | 14  | 3   |
| Group 38              | 2           | 16 | 4  | 5  | 16 | 14 | 7  | 11 | 4  | 11 | 14  | 9   | 9   | 7   | 5   |
| Group 39              | 3           | 3  | 4  | 6  | 11 | 12 | 13 | 6  | 12 | 14 | 4   | 5   | 13  | 5   | 14  |
| Group 40              | 3           | 3  | 6  | 5  | 16 | 9  | 15 | 5  | 9  | 10 | 6   | 4   | 15  | 4   | 10  |
| Group 41              | 3           | 4  | 5  | 14 | 4  | 6  | 12 | 13 | 5  | 13 | 6   | 11  | 11  | 12  | 14  |
| Group 42              | 3           | 4  | 9  | 16 | 10 | 4  | 16 | 15 | 3  | 5  | 10  | 5   | 15  | 6   | 6   |
| Group 43              | 3           | 4  | 16 | 10 | 5  | 10 | 4  | 9  | 9  | 16 | 15  | 6   | 3   | 5   | 15  |
| Group 44              | 3           | 5  | 12 | 11 | 14 | 5  | 11 | 13 | 3  | 6  | 14  | 6   | 13  | 4   | 4   |
| Group 45              | 3           | 6  | 4  | 10 | 6  | 5  | 9  | 15 | 4  | 15 | 5   | 16  | 16  | 9   | 10  |
| Group 46              | 3           | 7  | 8  | 8  | 16 | 11 | 12 | 4  | 15 | 11 | 4   | 7   | 16  | 3   | 15  |
| Group 47              | 3           | 7  | 16 | 11 | 4  | 15 | 3  | 15 | 11 | 12 | 12  | 4   | 7   | 8   | 16  |
| Group 48              | 3           | 8  | 7  | 15 | 4  | 8  | 15 | 12 | 3  | 16 | 4   | 16  | 12  | 11  | 11  |
| Group 49              | 3           | 8  | 15 | 4  | 16 | 4  | 8  | 7  | 7  | 15 | 12  | 11  | 3   | 16  | 12  |

| Scrambling Code Group | slot number |    |    |    |    |    |    |    |    |    |     |     |     |     |     |
|-----------------------|-------------|----|----|----|----|----|----|----|----|----|-----|-----|-----|-----|-----|
|                       | #0          | #1 | #2 | #3 | #4 | #5 | #6 | #7 | #8 | #9 | #10 | #11 | #12 | #13 | #14 |
| Group 50              | 3           | 10 | 10 | 15 | 16 | 5  | 4  | 6  | 16 | 4  | 3   | 15  | 9   | 6   | 9   |
| Group 51              | 3           | 13 | 11 | 5  | 4  | 12 | 4  | 11 | 6  | 6  | 5   | 3   | 14  | 13  | 12  |
| Group 52              | 3           | 14 | 7  | 9  | 14 | 10 | 13 | 8  | 7  | 8  | 10  | 4   | 4   | 13  | 9   |
| Group 53              | 5           | 5  | 8  | 14 | 16 | 13 | 6  | 14 | 13 | 7  | 8   | 15  | 6   | 15  | 7   |
| Group 54              | 5           | 6  | 11 | 7  | 10 | 8  | 5  | 8  | 7  | 12 | 12  | 10  | 6   | 9   | 11  |
| Group 55              | 5           | 6  | 13 | 8  | 13 | 5  | 7  | 7  | 6  | 16 | 14  | 15  | 8   | 16  | 15  |
| Group 56              | 5           | 7  | 9  | 10 | 7  | 11 | 6  | 12 | 9  | 12 | 11  | 8   | 8   | 6   | 10  |
| Group 57              | 5           | 9  | 6  | 8  | 10 | 9  | 8  | 12 | 5  | 11 | 10  | 11  | 12  | 7   | 7   |
| Group 58              | 5           | 10 | 10 | 12 | 8  | 11 | 9  | 7  | 8  | 9  | 5   | 12  | 6   | 7   | 6   |
| Group 59              | 5           | 10 | 12 | 6  | 5  | 12 | 8  | 9  | 7  | 6  | 7   | 8   | 11  | 11  | 9   |
| Group 60              | 5           | 13 | 15 | 15 | 14 | 8  | 6  | 7  | 16 | 8  | 7   | 13  | 14  | 5   | 16  |
| Group 61              | 9           | 10 | 13 | 10 | 11 | 15 | 15 | 9  | 16 | 12 | 14  | 13  | 16  | 14  | 11  |
| Group 62              | 9           | 11 | 12 | 15 | 12 | 9  | 13 | 13 | 11 | 14 | 10  | 16  | 15  | 14  | 16  |
| Group 63              | 9           | 12 | 10 | 15 | 13 | 14 | 9  | 14 | 15 | 11 | 11  | 13  | 12  | 16  | 10  |

### 5.3 Modulation

#### 5.3.1 Modulating chip rate

The modulating chip rate is 3.84 Mcps.

#### 5.3.2 Modulation

In the downlink, the complex-valued chip sequence generated by the spreading process is QPSK modulated as shown in Figure 12 below.

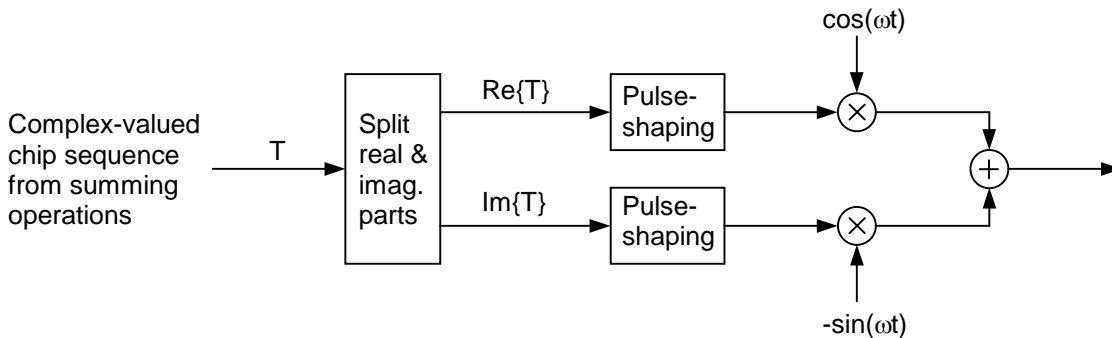


Figure 12: Downlink modulation

The pulse-shaping characteristics are described in [4].

# Annex A (informative): Generalised Hierarchical Golay Sequences

## A.1 Alternative generation

The generalised hierarchical Golay sequences for the PSC described in 5.2.3.1 may be also viewed as generated (in real valued representation) by the following methods:

### Method 1.

The sequence  $y$  is constructed from two constituent sequences  $x_1$  and  $x_2$  of length  $n_1$  and  $n_2$  respectively using the following formula:

$$- y(i) = x_2(i \bmod n_2) * x_1(i \operatorname{div} n_2), i = 0 \dots (n_1 * n_2) - 1.$$

The constituent sequences  $x_1$  and  $x_2$  are chosen to be the following length 16 (i.e.  $n_1 = n_2 = 16$ ) sequences:

- $x_1$  is defined to be the length 16 ( $N^{(1)}=4$ ) Golay complementary sequence obtained by the delay matrix  $D^{(1)} = [8, 4, 1, 2]$  and weight matrix  $W^{(1)} = [1, -1, 1, 1]$ .
- $x_2$  is a generalised hierarchical sequence using the following formula, selecting  $s=2$  and using the two Golay complementary sequences  $x_3$  and  $x_4$  as constituent sequences. The length of the sequence  $x_3$  and  $x_4$  is called  $n_3$  respectively  $n_4$ .
- $x_2(i) = x_4(i \bmod s + s*(i \operatorname{div} sn_3)) * x_3((i \operatorname{div} s) \bmod n_3), i = 0 \dots (n_3 * n_4) - 1.$
- $x_3$  and  $x_4$  are defined to be identical and the length 4 ( $N^{(3)}=N^{(4)}=2$ ) Golay complementary sequence obtained by the delay matrix  $D^{(3)} = D^{(4)} = [1, 2]$  and weight matrix  $W^{(3)} = W^{(4)} = [1, 1]$ .

The Golay complementary sequences  $x_1, x_3$  and  $x_4$  are defined using the following recursive relation:

$$a_0(k) = \delta(k) \text{ and } b_0(k) = \delta(k);$$

$$a_n(k) = a_{n-1}(k) + W_n^{(j)} \cdot b_{n-1}(k - D_n^{(j)});$$

$$b_n(k) = a_{n-1}(k) - W_n^{(j)} \cdot b_{n-1}(k - D_n^{(j)});$$

$$k = 0, 1, 2, \dots, 2^{*}N^{(j)} - 1;$$

$$n = 1, 2, \dots, N^{(j)}.$$

The wanted Golay complementary sequence  $x_j$  is defined by  $a_n$  assuming  $n=N^{(j)}$ . The Kronecker delta function is described by  $\delta, k, j$  and  $n$  are integers.

### Method 2

The sequence  $y$  can be viewed as a pruned Golay complementary sequence and generated using the following parameters which apply to the generator equations for  $a$  and  $b$  above:

(a) Let  $j = 0, N^{(0)} = 8.$

(b)  $[D_1^0, D_2^0, D_3^0, D_4^0, D_5^0, D_6^0, D_7^0, D_8^0] = [128, 64, 16, 32, 8, 1, 4, 2].$

(c)  $[W_1^0, W_2^0, W_3^0, W_4^0, W_5^0, W_6^0, W_7^0, W_8^0] = [1, -1, 1, 1, 1, 1, 1, 1].$

(d) For  $n = 4, 6$ , set  $b_4(k) = a_4(k), b_6(k) = a_6(k).$

## Annex B (informative): Change history

| Change history |        |           |     |     |   |       |       |
|----------------|--------|-----------|-----|-----|---|-------|-------|
| Date           | TSG #  | TSG Doc.  | CR  | Rev | Subject/Comment   | Old   | New   |
| 14/01/00       | RAN_05 | RP-99589  | -   |     | Approved at TSG RAN #5 and placed under Change Control  | -     | 3.0.0 |
| 14/01/00       | RAN_06 | RP-99682  | 005 | 1   | Harmonization of notations for downlink scrambling codes                                      | 3.0.0 | 3.1.0 |
| 14/01/00       | RAN_06 | RP-99683  | 006 | -   | Update of downlink spreading description  | 3.0.0 | 3.1.0 |
| 14/01/00       | RAN_06 | RP-99682  | 007 | 1   | Update of TS 25.213 uplink parts  | 3.0.0 | 3.1.0 |
| 14/01/00       | RAN_06 | RP-99683  | 008 | -   | Updated modulation description  | 3.0.0 | 3.1.0 |
| 14/01/00       | RAN_06 | RP-99683  | 009 | -   | Restriction for spreading factor 512 allocation in the UTRA FDD Downlink                      | 3.0.0 | 3.1.0 |
| 14/01/00       | RAN_06 | RP-99683  | 011 | 1   | CPCH codes in power control preamble  | 3.0.0 | 3.1.0 |
| 14/01/00       | RAN_06 | RP-99683  | 012 | 2   | Support of short codes for CPCH   | 3.0.0 | 3.1.0 |
| 14/01/00       | RAN_06 | RP-99682  | 014 | 1   | Editorial Change  | 3.0.0 | 3.1.0 |
| 14/01/00       | RAN_06 | RP-99683  | 016 | -   | Channelization Code Allocation for USTS   | 3.0.0 | 3.1.0 |
| 14/01/00       | RAN_06 | RP-99683  | 017 | 1   | Correction (Editorial Change)   | 3.0.0 | 3.1.0 |
| 14/01/00       | RAN_06 | RP-99683  | 019 | -   | Correction to code allocation for compressed mode   | 3.0.0 | 3.1.0 |
| 14/01/00       | -      | -         | -   |     | Change history was added by the editor  | 3.1.0 | 3.1.1 |
| 31/03/00       | RAN_07 | RP-000063 | 020 | 1   | Consistent numbering of scrambling code groups  | 3.1.1 | 3.2.0 |
| 31/03/00       | RAN_07 | RP-000063 | 021 | -   | Downlink signal flow corrections  | 3.1.1 | 3.2.0 |
| 31/03/00       | RAN_07 | RP-000063 | 022 | -   | Uplink signal flow corrections  | 3.1.1 | 3.2.0 |
| 31/03/00       | RAN_07 | RP-000063 | 023 | 1   | Number of RACH scrambling codes   | 3.1.1 | 3.2.0 |
| 31/03/00       | RAN_07 | RP-000063 | 024 | 1   | Editorial changes to 25.213   | 3.1.1 | 3.2.0 |
| 31/03/00       | RAN_07 | RP-000063 | 025 | 3   | Number of PCPCH scrambling codes per cell   | 3.1.1 | 3.2.0 |
| 31/03/00       | RAN_07 | RP-000063 | 027 | -   | A typo correction for 5.2.2 and clarification for 5.2.3.1 of TS 25.213V3.1.1                  | 3.1.1 | 3.2.0 |
| 31/03/00       | RAN_07 | RP-000063 | 028 | 2   | Channelization code allocation method for PCPCH message part                                  | 3.1.1 | 3.2.0 |
| 31/03/00       | RAN_07 | RP-000063 | 029 | -   | Clarifications to DSCH scrambling and modulation in 25.213                                    | 3.1.1 | 3.2.0 |
| 31/03/00       | RAN_07 | RP-000063 | 032 | -   | Clean up of USTS related specifications   | 3.1.1 | 3.2.0 |
| 26/06/00       | RAN_08 | RP-000267 | 033 | -   | Clarifications to power control preamble sections   | 3.2.0 | 3.3.0 |
| 26/06/00       | RAN_08 | RP-000267 | 034 | 2   | Numbering of the PCPCH access preamble and collision detection preamble scrambling codes      | 3.2.0 | 3.3.0 |
| 26/06/00       | RAN_08 | RP-000267 | 035 | -   | DPDCH/DPCCH gain factors  | 3.2.0 | 3.3.0 |
| 16/12/00       | RAN_10 | RP-000539 | 037 | 1   | Proposed removal of the option of secondary scrambling code for some downlink common channels | 3.3.0 | 3.4.0 |
| 16/03/01       | RAN_11 | -         | -   | -   | Approved as Release 4 specification (v4.0.0) at TSG RAN #11                                   | 3.4.0 | 4.0.0 |
| 16/03/01       | RAN_11 | RP-010059 | 038 | -   | Clarification of channelization codes when SF=512   | 3.4.0 | 4.0.0 |
| 16/03/01       | RAN_11 | RP-010059 | 039 | 1   | Clarification of the scrambling code of a power control preamble                              | 3.4.0 | 4.0.0 |
| 15/06/01       | RAN_12 | RP-010333 | 041 | 1   | Clarification of DL channelization code alignment   | 4.0.0 | 4.1.0 |
| 15/06/01       | RAN_12 | RP-010333 | 043 | 1   | Clarification of PDSCH root channelisation code definition                                    | 4.0.0 | 4.1.0 |
| 14/12/01       | RAN_14 | RP-010738 | 047 | -   | Correction of section number reference  | 4.1.0 | 4.2.0 |
| 08/03/02       | RAN_15 | RP-020058 | 049 | -   | The inclusion of HSDPA into 25.213  | 4.2.0 | 5.0.0 |
|                |        |           |     |     |   |       |       |
|                |        |           |     |     |   |       |       |
|                |        |           |     |     |   |       |       |
|                |        |           |     |     |   |       |       |
|                |        |           |     |     |   |       |       |
|                |        |           |     |     |   |       |       |
|                |        |           |     |     |   |       |       |
|                |        |           |     |     |   |       |       |