

# EXHIBIT 9



US007663607B2

(12) **United States Patent**  
**Hotelling et al.**

(10) **Patent No.:** **US 7,663,607 B2**  
(45) **Date of Patent:** **Feb. 16, 2010**

- (54) **MULTIPOINT TOUCHSCREEN**
- (75) Inventors: **Steve Hotelling**, San Jose, CA (US);  
**Joshua A. Strickon**, San Jose, CA (US);  
**Brian Q. Huppi**, San Francisco, CA (US)
- (73) Assignee: **Apple Inc.**, Cupertino, CA (US)
- (\* ) Notice: Subject to any disclaimer, the term of this patent is extended or adjusted under 35 U.S.C. 154(b) by 754 days.
- (21) Appl. No.: **10/840,862**

4,734,685 A	3/1988	Watanabe .....	340/710
4,746,770 A	5/1988	McAvinney .....	178/18
4,771,276 A	9/1988	Parks .....	340/712
4,788,384 A	11/1988	Bruere-Dawson et al. ....	178/18
4,806,846 A	2/1989	Kerber .....	324/60 CD
4,898,555 A	2/1990	Sampson .....	445/22
4,914,624 A	4/1990	Dunthorn et al.	
4,968,877 A	11/1990	McAvinney et al. ....	250/221
5,003,519 A	3/1991	Noirjean .....	368/73
5,017,030 A	5/1991	Crews .....	400/485
5,178,477 A	1/1993	Gambaro .....	400/489
5,189,403 A	2/1993	Franz et al. ....	340/711
5,194,862 A	3/1993	Edwards .....	341/20
5,224,861 A	7/1993	Glass et al. ....	434/35
5,241,308 A	8/1993	Young .....	341/34

(22) Filed: **May 6, 2004**

(Continued)

(65) **Prior Publication Data**  
US 2006/0097991 A1 May 11, 2006

**FOREIGN PATENT DOCUMENTS**

CA 1243096 10/1988 ..... 340/180

(Continued)

- (51) **Int. Cl.**  
**G06F 3/041** (2006.01)
  - (52) **U.S. Cl.** ..... **345/173**; 345/174; 178/18.01
  - (58) **Field of Classification Search** ..... 345/173-179;  
178/18.01-18.04
- See application file for complete search history.

**OTHER PUBLICATIONS**

U.S. Appl. No. 10/654,108, filed Sep. 2, 2003.

(Continued)

(56) **References Cited**

**U.S. PATENT DOCUMENTS**

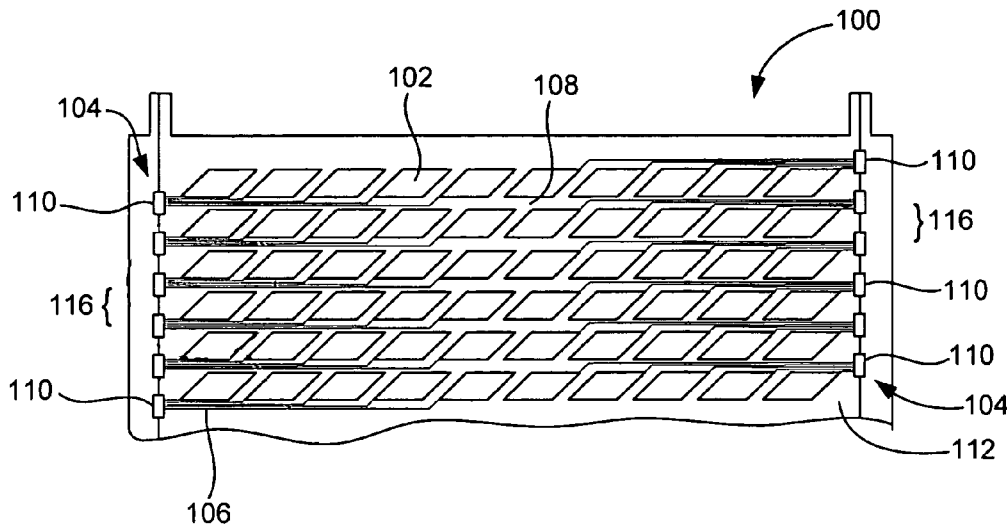
3,333,160 A	7/1967	Gorski	
3,541,541 A	11/1970	Englebart	
3,662,105 A	5/1972	Hurst et al. ....	178/18
3,798,370 A	3/1974	Hurst .....	178/18
4,246,452 A	1/1981	Chandler .....	200/5
4,550,221 A	10/1985	Mabusth .....	178/18
4,672,364 A	6/1987	Lucas .....	340/365 P
4,672,558 A	6/1987	Beckes et al. ....	364/518
4,692,809 A	9/1987	Beining et al. ....	358/247
4,695,827 A	9/1987	Beining et al. ....	340/365 P
4,733,222 A	3/1988	Evans .....	340/365 C

*Primary Examiner*—Richard Hjerpe  
*Assistant Examiner*—Kimmhung Nguyen  
(74) *Attorney, Agent, or Firm*—Morrison & Foerster LLP

(57) **ABSTRACT**

A touch panel having a transparent capacitive sensing medium configured to detect multiple touches or near touches that occur at the same time and at distinct locations in the plane of the touch panel and to produce distinct signals representative of the location of the touches on the plane of the touch panel for each of the multiple touches is disclosed.

**11 Claims, 14 Drawing Sheets**



U.S. PATENT DOCUMENTS

5,252,951 A	10/1993	Tannenbaum et al. ....	345/156	6,002,389 A	12/1999	Kasser .....	345/173
5,281,966 A	1/1994	Walsh .....	341/22	6,002,808 A	12/1999	Freeman .....	382/288
5,305,017 A	4/1994	Gerpheide .....	345/174	6,020,881 A	2/2000	Naughton et al. ....	345/327
5,345,543 A	9/1994	Capps et al. ....	395/137	6,031,524 A	2/2000	Kunert .....	345/173
5,376,948 A	12/1994	Roberts .....	345/173	6,037,882 A	3/2000	Levy .....	341/20
5,398,310 A	3/1995	Tchao et al. ....	395/144	6,050,825 A	4/2000	Nichol et al. ....	434/227
5,442,742 A	8/1995	Greyson et al. ....	395/146	6,052,339 A	4/2000	Frenkel et al. ....	368/230
5,463,388 A	10/1995	Boie et al. ....	341/33	6,061,177 A *	5/2000	Fujimoto .....	359/443
5,463,696 A	10/1995	Beernink et al. ....	382/186	6,072,494 A	6/2000	Nguyen .....	345/358
5,483,261 A	1/1996	Yasutake .....	345/173	6,084,576 A	7/2000	Leu et al. ....	345/168
5,488,204 A	1/1996	Mead et al. ....	178/18	6,107,997 A	8/2000	Ure .....	345/173
5,495,077 A	2/1996	Miller et al. ....	178/18	6,128,003 A	10/2000	Smith et al. ....	345/157
5,513,309 A	4/1996	Meier et al. ....	395/155	6,131,299 A	10/2000	Raab et al. ....	33/503
5,523,775 A	6/1996	Capps .....	345/179	6,135,958 A	10/2000	Mikula-Curtis et al. ....	600/443
5,530,455 A	6/1996	Gillick et al. ....	345/163	6,144,380 A	11/2000	Shwartz et al. ....	345/350
5,543,590 A	8/1996	Gillespie et al. ....	178/18	6,188,391 B1	2/2001	Seely et al.	
5,543,591 A	8/1996	Gillespie et al. ....	178/18	6,198,515 B1	3/2001	Cole .....	348/836
5,563,632 A	10/1996	Roberts .....	345/173	6,208,329 B1	3/2001	Ballare .....	345/173
5,563,996 A	10/1996	Tchao .....	395/144	6,222,465 B1	4/2001	Kumar et al. ....	341/20
5,565,658 A	10/1996	Gerpheide et al. ....	178/19	6,239,790 B1	5/2001	Martinelli et al. ....	345/174
5,579,036 A	11/1996	Yates, IV .....	345/173	6,243,071 B1	6/2001	Shwartz et al. ....	345/146
5,581,681 A	12/1996	Tchao et al. ....	395/804	6,246,862 B1	6/2001	Grivas et al. ....	455/90
5,583,946 A	12/1996	Gourdol .....	382/187	6,249,606 B1	6/2001	Kiraly et al. ....	382/195
5,589,856 A	12/1996	Stein et al.		6,288,707 B1	9/2001	Philipp .....	345/168
5,590,219 A	12/1996	Gourdol .....	382/202	6,289,326 B1	9/2001	LaFleur .....	705/702
5,592,566 A	1/1997	Pagallo et al. ....	382/187	6,292,178 B1	9/2001	Bernstein et al. ....	345/173
5,594,810 A	1/1997	Gourdol .....	382/187	6,323,846 B1	11/2001	Westerman et al.	
5,596,694 A	1/1997	Capps .....	395/152	6,337,678 B1	1/2002	Fish	
5,612,719 A	3/1997	Beernink et al. ....	345/173	6,347,290 B1	2/2002	Bartlett .....	702/150
5,631,805 A	5/1997	Bonsall .....	361/681	6,377,009 B1	4/2002	Philipp .....	318/468
5,633,955 A	5/1997	Bozinovic et al. ....	381/187	6,380,931 B1	4/2002	Gillespie et al. ....	345/173
5,634,102 A	5/1997	Capps .....	395/334	6,411,287 B1	6/2002	Scharff et al. ....	345/177
5,636,101 A	6/1997	Bonsall et al. ....	361/681	6,414,671 B1	7/2002	Gillespie et al. ....	345/157
5,642,108 A	6/1997	Gopher et al. ....	341/22	6,421,234 B1	7/2002	Ricks et al. ....	361/683
5,644,657 A	7/1997	Capps et al. ....	382/229	6,452,514 B1	9/2002	Philipp .....	341/33
5,666,113 A	9/1997	Logan .....	341/34	6,457,355 B1	10/2002	Philipp .....	73/304
5,666,502 A	9/1997	Capps .....	345/352	6,466,036 B1	10/2002	Philipp .....	324/678
5,666,552 A	9/1997	Grayson et al. ....	395/802	6,515,669 B1	2/2003	Mohri .....	345/474
5,675,361 A	10/1997	Santilli .....	345/168	6,525,749 B1	2/2003	Moran et al. ....	345/863
5,677,710 A	10/1997	Thompson-Rohrlich ....	345/173	6,535,200 B2	3/2003	Philipp .....	345/168
5,689,253 A	11/1997	Hargreaves et al. ....	341/22	6,543,684 B1	4/2003	White et al. ....	234/379
5,710,844 A	1/1998	Capps et al. ....	382/317	6,543,947 B2	4/2003	Lee .....	400/489
5,729,250 A	3/1998	Bishop et al. ....	345/175	6,570,557 B1	5/2003	Westerman et al.	
5,730,165 A	3/1998	Philipp .....	137/1	6,593,916 B1	7/2003	Aroyan	
5,736,976 A	4/1998	Cheung .....	345/168	6,610,936 B2	8/2003	Gillespie et al. ....	178/18.01
5,741,990 A	4/1998	Davies .....	84/423 R	6,624,833 B1	9/2003	Kumar et al. ....	345/863
5,745,116 A	4/1998	Pisutha-Arnond .....	345/358	6,639,577 B2	10/2003	Eberhard .....	345/102
5,745,716 A	4/1998	Tchao et al. ....	395/350	6,650,319 B1	11/2003	Hurst et al.	
5,746,818 A	5/1998	Yatake .....	106/31.86	6,658,994 B1	12/2003	McMillan .....	99/468
5,748,269 A	5/1998	Harris et al. ....	349/58	6,670,894 B2	12/2003	Mehring .....	341/22
5,764,222 A	6/1998	Shieh .....	345/173	6,677,932 B1	1/2004	Westerman	
5,767,457 A	6/1998	Gerpheide et al. ....	178/18	6,677,934 B1	1/2004	Blanchard .....	345/173
5,767,842 A	6/1998	Korth .....	345/168	6,723,929 B2	4/2004	Kent	
5,790,104 A	8/1998	Shieh .....	345/173	6,724,366 B2	4/2004	Crawford .....	345/157
5,790,107 A	8/1998	Kasser et al. ....	345/174	6,757,002 B1	6/2004	Oross et al. ....	345/864
5,802,516 A	9/1998	Shwartz et al. ....	707/6	6,803,906 B1	10/2004	Morrison et al. ....	345/173
5,808,567 A	9/1998	McCloud .....	341/20	6,842,672 B1	1/2005	Straub et al. ....	701/3
5,809,267 A	9/1998	Moran et al. ....	395/358	6,856,259 B1 *	2/2005	Sharp .....	341/5
5,821,690 A	10/1998	Martens et al. ....	313/506	6,888,536 B2 *	5/2005	Westerman et al. ....	345/173
5,821,930 A	10/1998	Hansen .....	345/340	6,900,795 B1	5/2005	Knight, III et al. ....	345/173
5,823,782 A	10/1998	Marcus et al. ....	434/156	6,927,761 B2	8/2005	Badaye et al. ....	345/173
5,825,351 A	10/1998	Tam		6,942,571 B1	9/2005	McAllister et al. ....	463/20
5,825,352 A	10/1998	Bisset et al. ....	345/173	6,965,375 B1	11/2005	Gettemy et al. ....	345/173
5,854,625 A	12/1998	Frisch et al. ....	345/173	6,972,401 B2	12/2005	Akitt et al. ....	250/221
5,880,411 A	3/1999	Gillespie et al. ....	178/18.01	6,977,666 B1	12/2005	Hedrick .....	345/690
5,898,434 A	4/1999	Small et al. ....	345/348	6,985,801 B1	1/2006	Straub et al. ....	701/3
5,920,309 A	7/1999	Bisset et al. ....	345/173	6,992,659 B2	1/2006	Gettemy .....	345/173
5,923,319 A	7/1999	Bishop et al. ....	345/175	7,030,860 B1 *	4/2006	Hsu et al. ....	345/173
5,933,134 A	8/1999	Shieh .....	345/173	7,031,228 B2	4/2006	Born et al. ....	368/69
5,942,733 A	8/1999	Allen et al.		2002/0015024 A1 *	2/2002	Westerman et al. ....	345/173
5,943,044 A	8/1999	Martinelli et al. ....	345/174	2002/0118848 A1	8/2002	Karpenstein .....	381/119
				2003/0006974 A1	1/2003	Clough et al. ....	345/179
				2003/0076301 A1	4/2003	Tsuk et al. ....	345/159

2003/0076303	A1	4/2003	Huppi	345/163
2003/0076306	A1	4/2003	Zadesky et al.	345/173
2003/0095095	A1	5/2003	Pihlaja	345/156
2003/0095096	A1	5/2003	Robbin et al.	345/156
2003/0098858	A1	5/2003	Perski et al.	345/173
2003/0206202	A1	11/2003	Moriya	345/846
2003/0234768	A1	12/2003	Rekimoto et al.	345/169
2003/0234770	A1*	12/2003	MacKey	345/173
2004/0227736	A1*	11/2004	Kamrath et al.	345/173
2004/0263484	A1	12/2004	Mantysalo et al.	345/173
2005/0007349	A1*	1/2005	Vakil et al.	345/173
2005/0012723	A1	1/2005	Pallakoff	345/173
2005/0052425	A1	3/2005	Zadesky et al.	345/173
2005/0083307	A1*	4/2005	Aufderheide et al.	345/173
2005/0104867	A1	5/2005	Westerman et al.	345/173
2005/0110768	A1	5/2005	Marriott et al.	345/173
2005/0146511	A1*	7/2005	Hill et al.	345/173
2006/0022955	A1	2/2006	Kennedy	345/173
2006/0022956	A1	2/2006	Lengeling et al.	345/173
2006/0026521	A1	2/2006	Hotelling et al.	715/702
2006/0026535	A1	2/2006	Hotelling et al.	715/863
2006/0026536	A1	2/2006	Hotelling et al.	715/863
2006/0032680	A1	2/2006	Elias et al.	178/18.06
2006/0033724	A1	2/2006	Chaudhri et al.	345/173
2006/0053387	A1	3/2006	Ording	715/773
2006/0066582	A1	3/2006	Lyon et al.	345/173
2006/0085757	A1	4/2006	Andre et al.	715/771
2006/0097991	A1	5/2006	Hotelling et al.	345/173
2006/0197753	A1	9/2006	Hotelling	345/173

## FOREIGN PATENT DOCUMENTS

DE	102 51 296	5/2004
EP	0 156 593	10/1985
EP	0 250 931	1/1988
EP	0 288 692	7/1993
EP	0 664 504	1/1995
EP	0 464 908	9/1996
EP	1 014 295	1/2002
JP	59-214941	12/1984
JP	60-211529	10/1985
JP	08-016307	1/1996
JP	2000-112642	4/2000
JP	2002-342033	11/2002
JP	2003-029899	1/2003
WO	97/18547	5/1997
WO	97/23738	7/1997
WO	98/14863	4/1998
WO	WO-01/27868	A1 4/2001
WO	03/088176	10/2003
WO	WO-2004/013833	A2 2/2004
WO	WO-2004/013833	A3 2/2004
WO	WO-2005/114369	A2 12/2005
WO	WO-2005/114369	A3 12/2005
WO	2006/023569	3/2006

## OTHER PUBLICATIONS

U.S. Appl. No. 10/789,676, filed Feb. 27, 2004.  
 U.S. Appl. No. 10/903,964, filed Jul. 30, 2004.  
 U.S. Appl. No. 11/015,978, filed Dec. 17, 2004.  
 U.S. Appl. No. 11/038,590, filed Jan. 18, 2005.  
 U.S. Appl. No. 11/048,264, filed Jan. 31, 2005.  
 "Touch Technologies Overview," 2001, 3M Touch Systems, Massachusetts.  
 "Touchscreen Technology Choices," <http://www.elotouch.com/products/detech2.asp>, downloaded Aug. 5, 2005.  
 Jun Rekimoto, "SmartSkin: An Infrastructure for Freehand Manipulation on Interactive Surfaces," CHI 2002, Apr. 20-25, 2002, Minneapolis, Minnesota.  
 "Wacom Components—Technology," <http://www.wacomcomponents.com/english/tech.asp>, downloaded Oct. 10, 2004.

"Comparing Touch Technologies," <http://www.touchscreens.com/intro-touchtypes.html>, downloaded Oct. 10, 2004.  
 "GlidePoint®," [http://www.cirque.com/technology/technology\\_gp.htm](http://www.cirque.com/technology/technology_gp.htm), downloaded Aug. 5, 2005.  
 "Captive Position Sensing," <http://www.synaptics.com/technology/cps.cfm>, downloaded Aug. 5, 2005.  
 "How do touchscreen monitors know where you're touching?," <http://electronics.howstuffworks.com/question716.htm>, downloaded Aug. 5, 2005.  
 "How Does a Touchscreen Work?," <http://www.touchscreens.com/intro-anatomy.html>, downloaded Aug. 5, 2005.  
 "4-Wire Resistive Touchscreens," <http://www.touchscreens.com/intro-touchtypes-4resistive.html>, downloaded Aug. 5, 2005.  
 "5-Wire Resistive Touchscreens," <http://www.touchscreens.com/intro-touchtypes-resistive.html>, downloaded Aug. 5, 2005.  
 "Capacitive Touchscreens," <http://www.touchscreens.com/intro-touchtypes-capacitive.html>, downloaded Aug. 5, 2005.  
 "PenTouch Capacitive Touchscreens," <http://www.touchscreens.com/intro-touchtypes-pentouch.html>, downloaded Aug. 5, 2005.  
 "Surface Acoustic Wave Touchscreens," <http://www.touchscreens.com/intro-touchtypes-saw.html>, downloaded Aug. 5, 2005.  
 "Near Field Imaging Touchscreens," <http://www.touchscreens.com/intro-touchtypes-nfi.html>, downloaded Aug. 5, 2005.  
 "Infrared Touchscreens," <http://www.touchscreens.com/intro-touchtypes-infrared.html>, downloaded Aug. 5, 2005.  
 "Watershed Algorithm," <http://rsb.info.nih.gov/ij/plugins/watershed.html>, downloaded Aug. 5, 2005.  
 U.S. Appl. No. 10/654,108, filed Sep. 2, 2003 entitled "Ambidextrous Mouse".  
 U.S. Appl. No. 10/789,676, filed Feb. 27, 2004 entitled "Shape Detecting Input Device".  
 "4-Wire Resistive Touchscreens" obtained from <http://www.touchscreens.com/intro-touchtypes-4resistive.html> generated Aug. 5, 2005.  
 "5-Wire Resistive Touchscreens" obtained from <http://www.touchscreens.com/intro-touchtypes-resistive.html> generated Aug. 5, 2005.  
 "A Brief Overview of Gesture Recognition" obtained from [http://www.dai.ed.ac.uk/Cvonline/LOCA\\_COPIES/COHEN/gesture\\_overview.html](http://www.dai.ed.ac.uk/Cvonline/LOCA_COPIES/COHEN/gesture_overview.html), generated Apr. 20, 2004.  
 "Capacitive Touchscreens" obtained from <http://www.touchscreens.com/intro-touchtypes-capacitive.html> generated Aug. 5, 2005.  
 "Capacitive Position Sensing" obtained from <http://www.synaptics.com/technology/cps.cfm> generated Aug. 5, 2005.  
 "Comparing Touch Technologies" obtained from <http://www.touchscreens.com/intro-touchtypes.html> generated Oct. 10, 2004.  
 "Gesture Recognition" [http://www.fingerworks.com/gesture\\_recognition.html](http://www.fingerworks.com/gesture_recognition.html).  
 "GlidePoinar®" obtained from [http://www.cirque.com/technology/technology\\_gp.html](http://www.cirque.com/technology/technology_gp.html) generated Aug. 5, 2005.  
 "How do touchscreen monitors know where you're touching?" obtained from <http://www.electronics.howstuffworks.com/question716.html> generated Aug. 5, 2005.  
 "How does a touchscreen work?" obtained from <http://www.touchscreens.com/intro-anatomy.html> generated Aug. 5, 2005.  
 "iGesture Products for Everyone (learn in minutes) Product Overview" FingerWorks.com.  
 "Infrared Touchscreens" obtained from <http://www.touchscreens.com/intro-touchtypes-infrared.html> generated Aug. 5, 2005.  
 "Mouse Emulation" FingerWorks obtained from [http://www.fingerworks.com/gesture\\_guide\\_mouse.html](http://www.fingerworks.com/gesture_guide_mouse.html) generated Aug. 30, 2005.  
 "Mouse Gestures in Opera" obtained from <http://www.opera.com/products/desktop/mouse/index.dml> generated Aug. 30, 2005.  
 "Mouse Gestures," Optim oz, May 21, 2004.  
 "MultiTouch Overview" FingerWorks obtained from <http://www.fingerworks.com/multioverview.html> generated Aug. 30, 2005.  
 "Near Field Imaging Touchscreens" obtained from <http://www.touchscreens.com/intro-touchtypes-nfi.html> generated Aug. 5, 2005.  
 "PenTouch Capacitive Touchscreens" obtained from <http://www.touchscreens.com/intro-touchtypes-pentouch.html> generated Aug. 5, 2005.

- "Surface Acoustic Wave Touchscreens" obtained from <http://www.touchscreens.com/intro-touchtypes-saw.html> generated Aug. 5, 2005.
- "Symbol Commander" obtained from <http://www.sensiva.com/symbolcommander/>, generated Aug. 30, 2005.
- "Tips for Typing" FingerWorks [http://www.fingerworks.com/mini\\_typing.html](http://www.fingerworks.com/mini_typing.html) generated Aug. 30, 2005.
- "Touch Technologies Overview" 2001, 3M Touch Systems, Massachusetts.
- "Wacom Components—Technology" obtained from <http://www.wacom-components.com/english/tech.asp> generated on Oct. 10, 2004.
- "Watershed Algorithm" <http://rsb.info.nih.gov/ij/plugins/watershed.html> generated Aug. 5, 2005.
- "FingerWorks—Gesture Guide—Application Switching," obtained from [http://www.fingerworks.com/gesture\\_guide\\_apps.html](http://www.fingerworks.com/gesture_guide_apps.html), generated on Aug. 27, 2004, 1-pg.
- "FingerWorks—Gesture Guide—Editing," obtained from [http://www.fingerworks.com/gesture\\_guide\\_editing.html](http://www.fingerworks.com/gesture_guide_editing.html), generated on Aug. 27, 2004, 1-pg.
- "FingerWorks—Gesture Guide—File Operations," obtained from [http://www.fingerworks.com/gesture\\_guide\\_files.html](http://www.fingerworks.com/gesture_guide_files.html), generated on Aug. 27, 2004, 1-pg.
- "FingerWorks—Gesture Guide—Text Manipulation," obtained from [http://www.fingerworks.com/gesture\\_guide\\_text\\_manip.html](http://www.fingerworks.com/gesture_guide_text_manip.html), generated on Aug. 27, 2004, 2-pg.
- "FingerWorks—Gesture Guide—Tips and Tricks," obtained from [http://www.fingerworks.com/gesture\\_guide\\_tips.html](http://www.fingerworks.com/gesture_guide_tips.html), generated Aug. 27, 2004, 2-pgs.
- "FingerWorks—Gesture Guide—Web," obtained from [http://www.fingerworks.com/gesture\\_guide\\_web.html](http://www.fingerworks.com/gesture_guide_web.html), generated on Aug. 27, 2004, 1-pg.
- "FingerWorks—Guide to Hand Gestures for USB Touchpads," obtained from [http://www.fingerworks.com/igesture\\_userguide.html](http://www.fingerworks.com/igesture_userguide.html), generated Aug. 27, 2004, 1-pg.
- "FingerWorks—iGesture—Technical Details," obtained from [http://www.fingerworks.com/igesture\\_tech.html](http://www.fingerworks.com/igesture_tech.html), generated Aug. 27, 2004, 1-pg.
- "FingerWorks—The Only Touchpads with Ergonomic Full-Hand Resting and Relaxation!" obtained from <http://www.fingerworks.com/resting.html>, Copyright 2001, 1-pg.
- "FingerWorks—Tips for Typing on the Mini," obtained from [http://www.fingerworks.com/mini\\_typing.html](http://www.fingerworks.com/mini_typing.html), generated on Aug. 27, 2004, 2-pgs.
- "iGesture Pad—the MultiFinger USB TouchPad with Whole-Hand Gestures," obtained from <http://www.fingerworks.com/igesture.html>, generated Aug. 27, 2004, 2-pgs.
- Bier, et al., "Toolglass and Magic Lenses: The see-through interface" In James Kijiyu, editor, *Computer Graphics (SIGGRAPH '93 Proceedings)*, vol. 27, pp. 73-80, Aug. 1993.
- Douglas et al., *The Ergonomics of Computer Pointing Devices* (1997).
- European Search Report received in EP 1 621 989 (@ *Beyer Weaver & Thomas, LLP*) dated Mar. 27, 2006.
- EVB Elektronik "TS0P6238 IR Receiver Modules for Infrared Remote Control Systems" dated Jan. 2004 1-pg.
- Fisher et al., "Repetitive Motion Disorders: The Design of Optimal Rate- Rest Profiles," *Human Factors*, 35(2):283-304 (Jun. 1993).
- Fukumoto, et al., "ActiveClick: Tactile Feedback for Touch Panels," In CHI 2001 Summary, pp. 121-122, 2001.
- Fukumoto and Yoshinobu Tonomura, "Body Coupled Fingering: Wireless Wearable Keyboard," *CHI 97*, pp. 147-154 (Mar. 1997).
- Hardy, "Fingerworks" Mar. 7, 2002; BBC World On Line.
- Hillier and Gerald J. Lieberman, *Introduction to Operations Research* (1986).
- International Search Report dated Mar. 3, 2006 (PCT/US 05/03325; 119-0052WO).
- Jacob et al., "Integrality and Separability of Input Devices," *ACM Transactions on Computer-Human Interaction*, 1:3-26 (Mar. 1994).
- Kinkley et al., "Touch-Sensing Input Devices," in CHI '99 Proceedings, pp. 223-230, 1999.
- Kionx "KXP84 Series Summary Data Sheet" copyright 2005, dated Oct. 21, 2005, 4-pgs.
- Lee et al., "A Multi-Touch Three Dimensional Touch-Sensitive Tablet," in CHI '85 Proceedings, pp. 121-128, 2000.
- Lee, "A Fast Multiple-Touch-Sensitive Input Device," Master's Thesis, University of Toronto (1984).
- Matsushita et al., "HoloWall: Designing a Finger, Hand, Body and Object Sensitive Wall," In Proceedings of UIST '97, Oct. 1997.
- Quantum Research Group "QT510 / QWheel™ Touch Slider IC" copyright 2004-2005, 14-pgs.
- Quek, "Unencumbered Gestural Interaction," *IEEE Multimedia*, 3:36-47 (Winter 1996).
- Radwin, "Activation Force and Travel Effects on Overexertion in Repetitive Key Tapping," *Human Factors*, 39(1):130-140 (Mar. 1997).
- Rekimoto "SmartSkin: An Infrastructure for Freehand Manipulation on Interactive Surfaces" CHI 2002, Apr. 20-25, 2002.
- Rekimoto et al., "ToolStone: Effective Use of the Physical Manipulation Vocabularies of Input Devices," In Proc. Of UIST 2000, 2000.
- Rubine et al., "Programmable Finger-Tracking Instrument Controllers," *Computer Music Journal*, vol. 14, No. 1 (Spring 1990).
- Rutledge et al., "Force-To-Motion Functions for Pointing," *Human-Computer Interaction—INTERACT* (1990).
- Subatai Ahmad, "A Usable Real-Time 3D Hand Tracker," Proceedings of the 28<sup>th</sup> Asilomar Conference on Signals, Systems and Computers—Part 2 (of2), vol. 2 (Oct. 1994).
- Texas Instruments "TSC2003 / I2C Touch Screen Controller" Data Sheet SBAS 162, dated Oct. 2001, 20-pgs.
- Wellner, "The Digital Desk Calculators: Tangible Manipulation on a Desk Top Display" in ACM UIST '91 Proceedings, pp. 27-34, Nov. 1991.
- Williams, "Applications for a Switched-Capacitor Instrumentation Building Block" Linear Technology Application Note 3, Jul. 1985, pp. 1-16.
- Yamada et al., "A Switched-Capacitor Interface for Capacitive Pressure Sensors" *IEEE Transactions on Instrumentation and Measurement*, vol. 41, No. 1, Feb. 1992, pp. 81-86.
- Yeh et al., "Switched Capacitor Interface Circuit for Capacitive Transducers" 1985 IEEE.
- Zhai et al., "Dual Stream Input for Pointing and Scrolling," *Proceedings of CHI '97 Extended Abstracts* (1997).
- Zimmerman et al., "Applying Electric Field Sensing to Human-Computer Interfaces," In CHI '85 Proceedings, pp. 280-287, 1995.
- U.S. Appl. No. 10/774,053, filed Feb. 5, 2004.
- U.S. Appl. No. 11/140,529, filed May 27, 2005 which is a Reissue of 6,570,557 listed above.
- U.S. Appl. No. 11/381,313, filed May 2, 2006 entitled "Multipoint Touch Surface Controller".
- U.S. Appl. No. 11/332,861, filed Jan. 13, 2006 which is a Reissue of 6,677,932 listed above.
- U.S. Appl. No. 11/380,109, filed Apr. 25, 2006 entitled "Keystroke Tactility Arrangement on Smooth Touch Surface."
- U.S. Appl. No. 11/428,501, filed Jul. 3, 2006 entitled "Capacitive Sensing Arrangement," which is a Continuation of US 2005/0104867 listed above.
- U.S. Appl. No. 11/428,503, filed Jul. 3, 2006 entitled "Touch Surface" which is a Continuation of US 2005/0104867 listed above.
- U.S. Appl. No. 11/428,506, filed Jul. 3, 2006 entitled "User Interface Gestures" which is a Continuation of US 2005/0104867 listed above.
- U.S. Appl. No. 11/428,515, filed Jul. 3, 2006 entitled "User Interface Gestures" which is a Continuation of US 2005/0104867 listed above.
- U.S. Appl. No. 11/428,522, filed Jul. 3, 2006 entitled "Identifying Contacts on a Touch Surface" which is a Continuation of US 2005/0104867 listed above.
- U.S. Appl. No. 11/428,521, filed Jul. 3, 2006 entitled "Identifying Contacts on a Touch Surface" which is a Continuation of US 2005/0104867 listed above.
- U.S. Appl. No. 11/426,078, filed Jun. 23, 2006 entitled "Electronic Device Having Display and Surrounding Touch Sensitive Bezel for User Interface and Control" which is a Continuation-In-Part of 2006/0197753 listed above.

## US 7,663,607 B2

Page 5

---

U.S. Appl. No. 11/278,080, filed Mar. 30, 2006 entitled "Force Imaging Input Device and System".

U.S. Appl. No. 11/382,402, filed May 9, 2006 entitled "Force and Location Sensitive Display" which is a Continuation of U.S. Appl. No. 11/278,080 listed above.

International Search Report received in corresponding PCT application No. PCT/US2006/008349 Oct. 6, 2006.

International search report for International Application No. PCT/US2005/014364 mailed Jan. 12, 2005.

U.S. Appl. No. 12/267,522, filed Nov. 7, 2008, by Hotelling et al.

U.S. Appl. No. 12/267,532, filed Nov. 7, 2008, by Hotelling et al.

U.S. Appl. No. 12/267,540, filed Nov. 7, 2008, by Hotelling et al.

\* cited by examiner

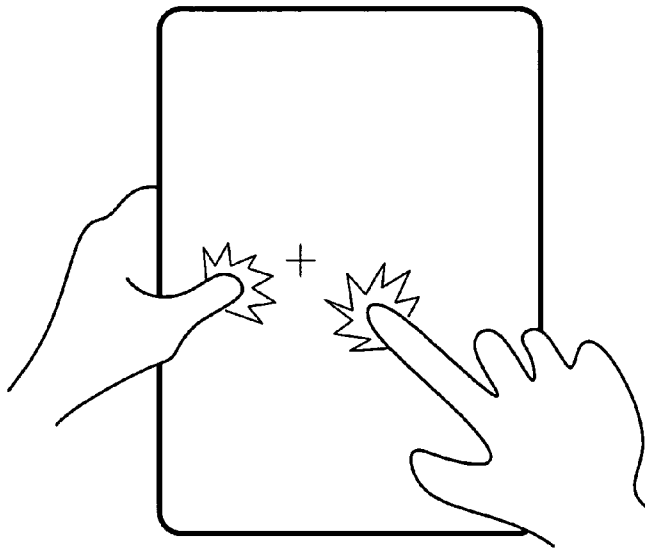


FIG. 1A

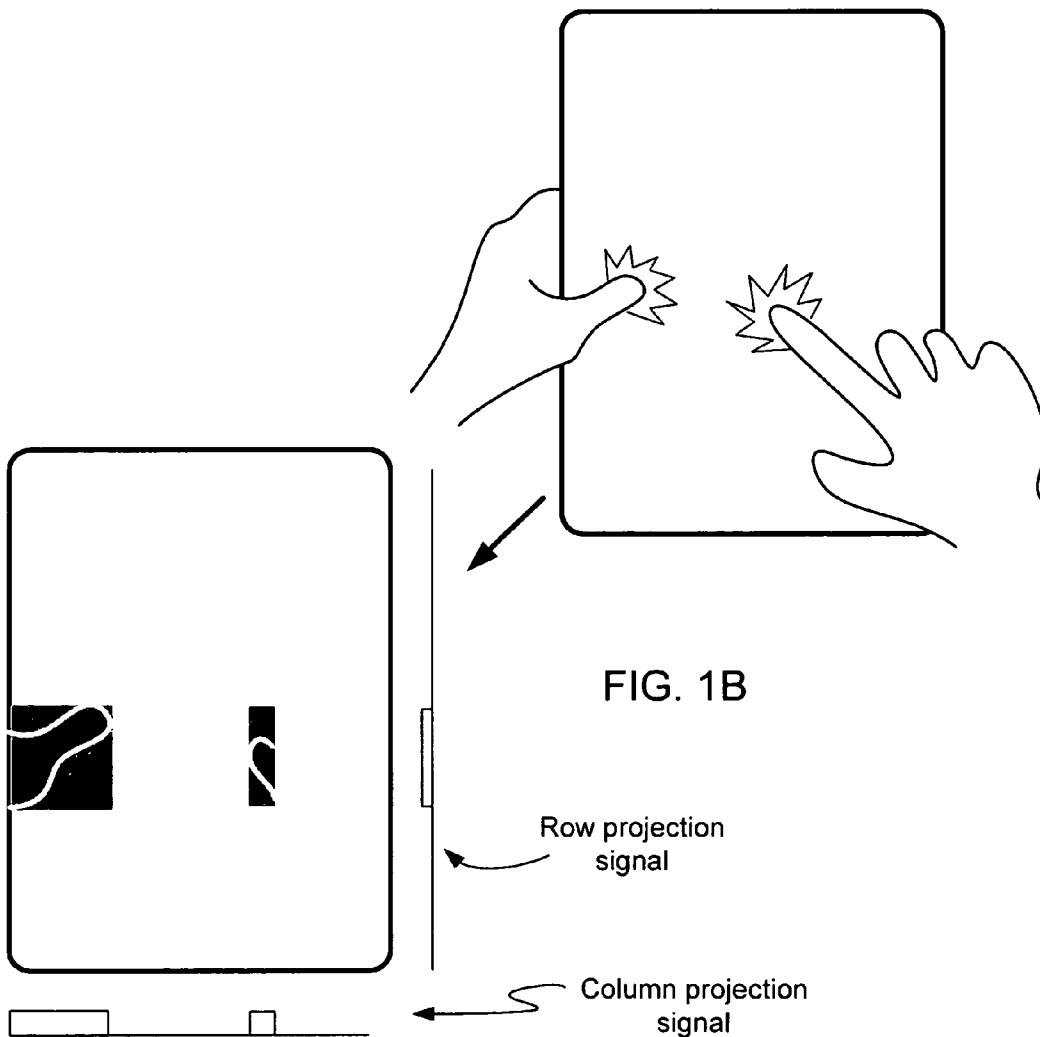
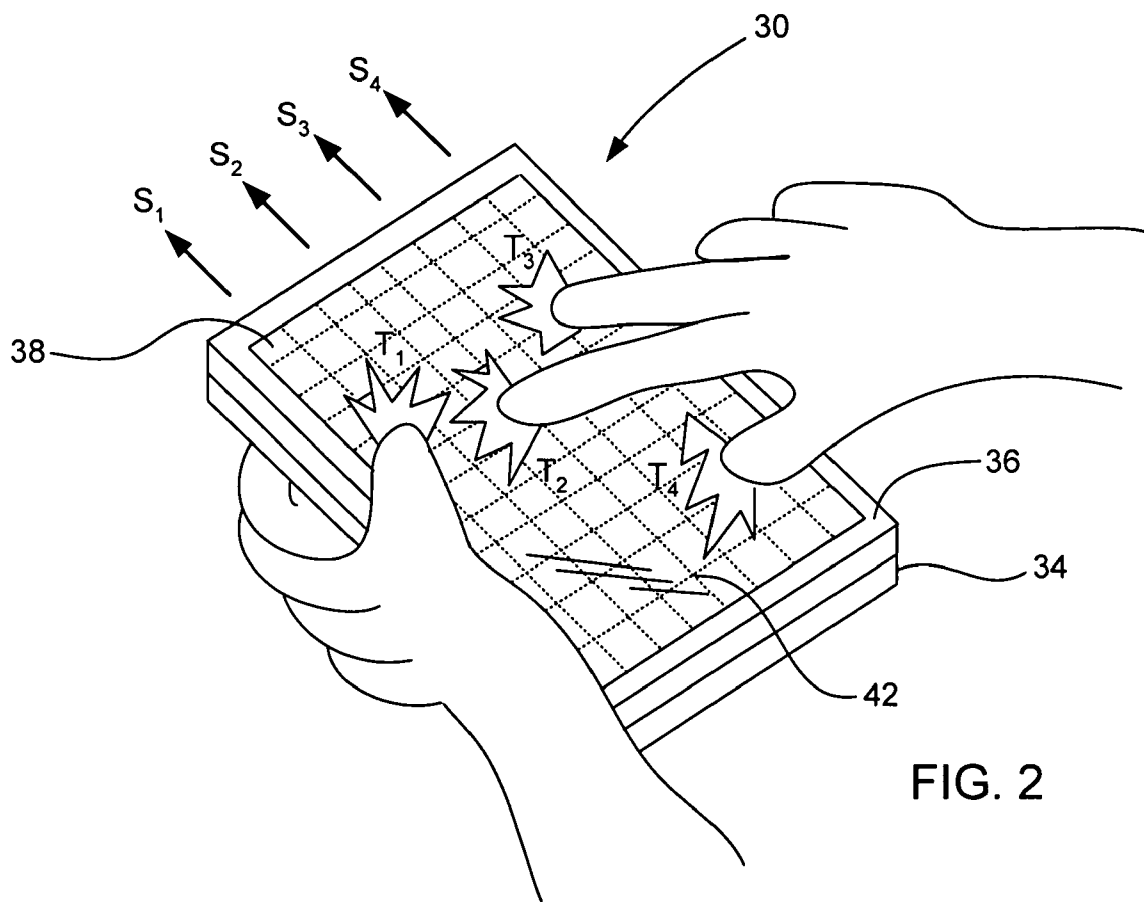


FIG. 1B





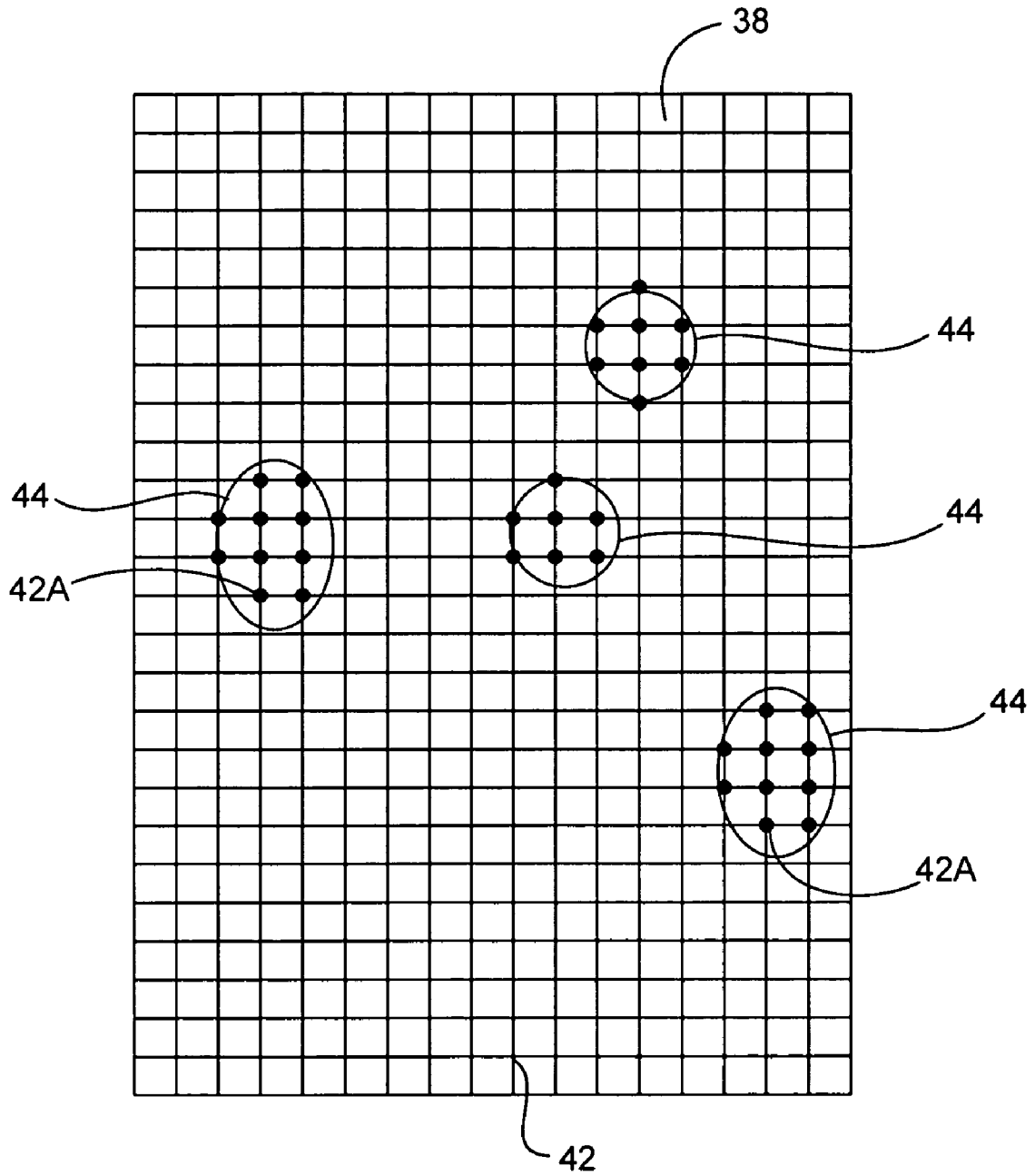


FIG. 3

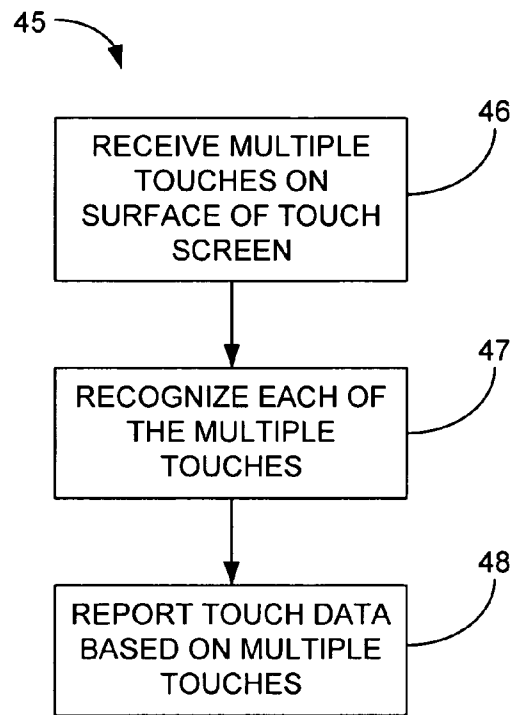


FIG. 4

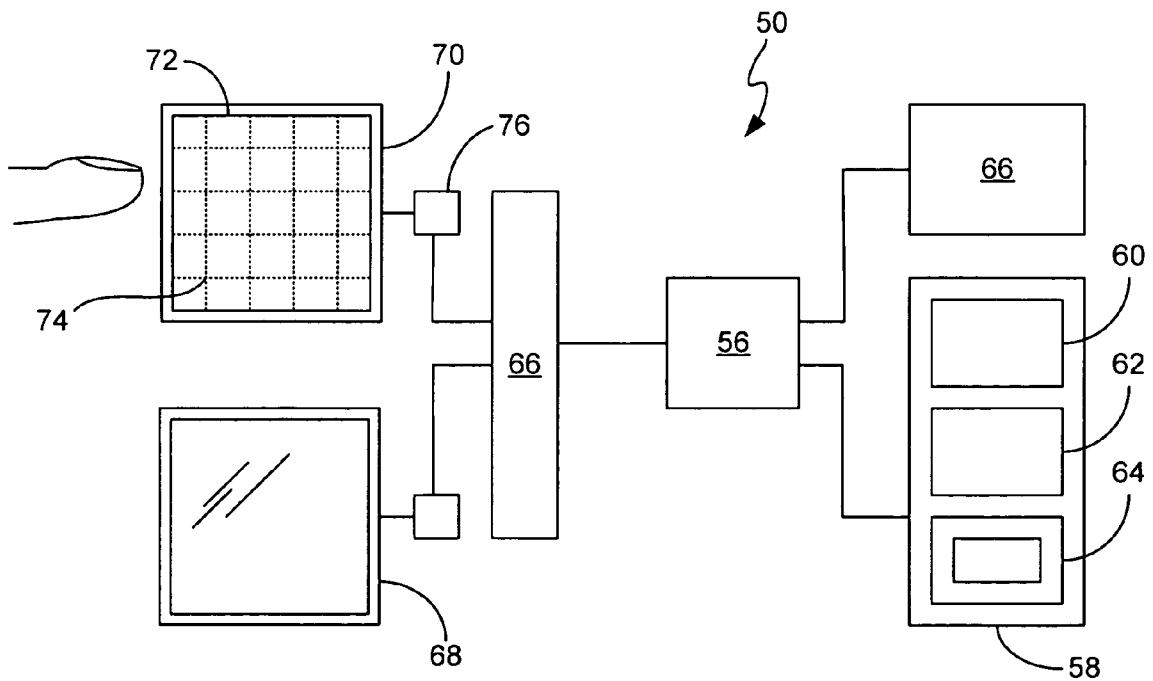
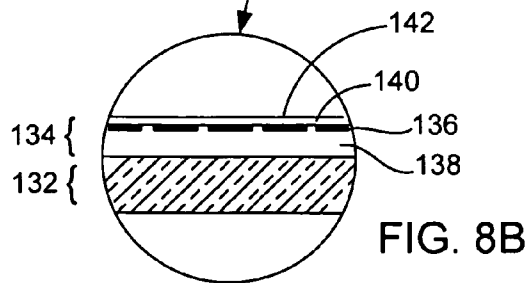
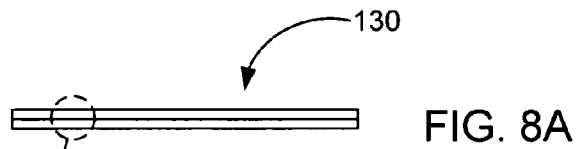
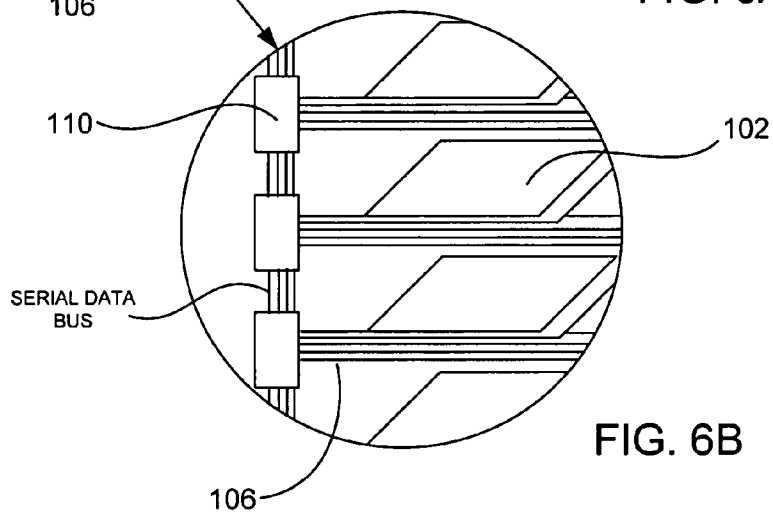
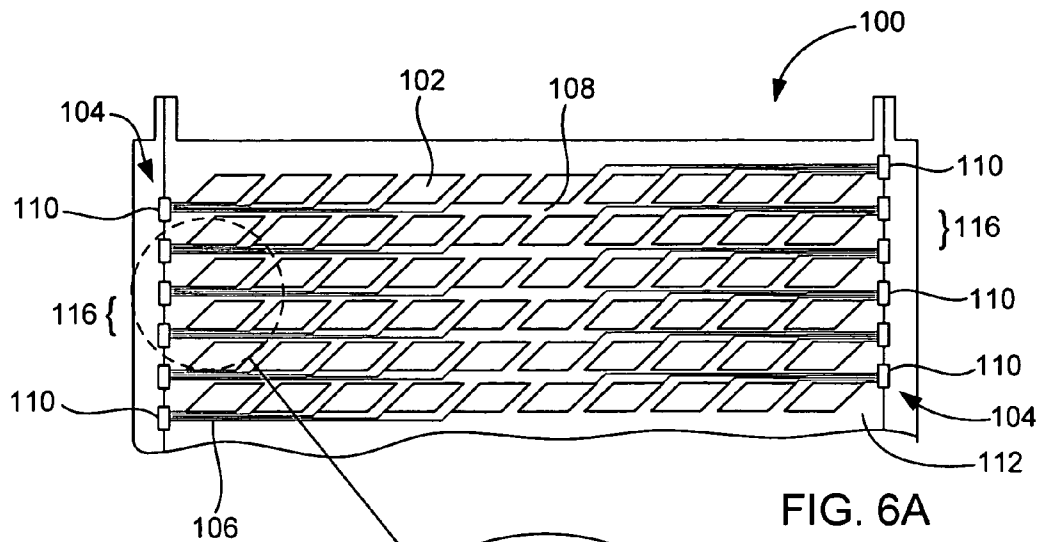
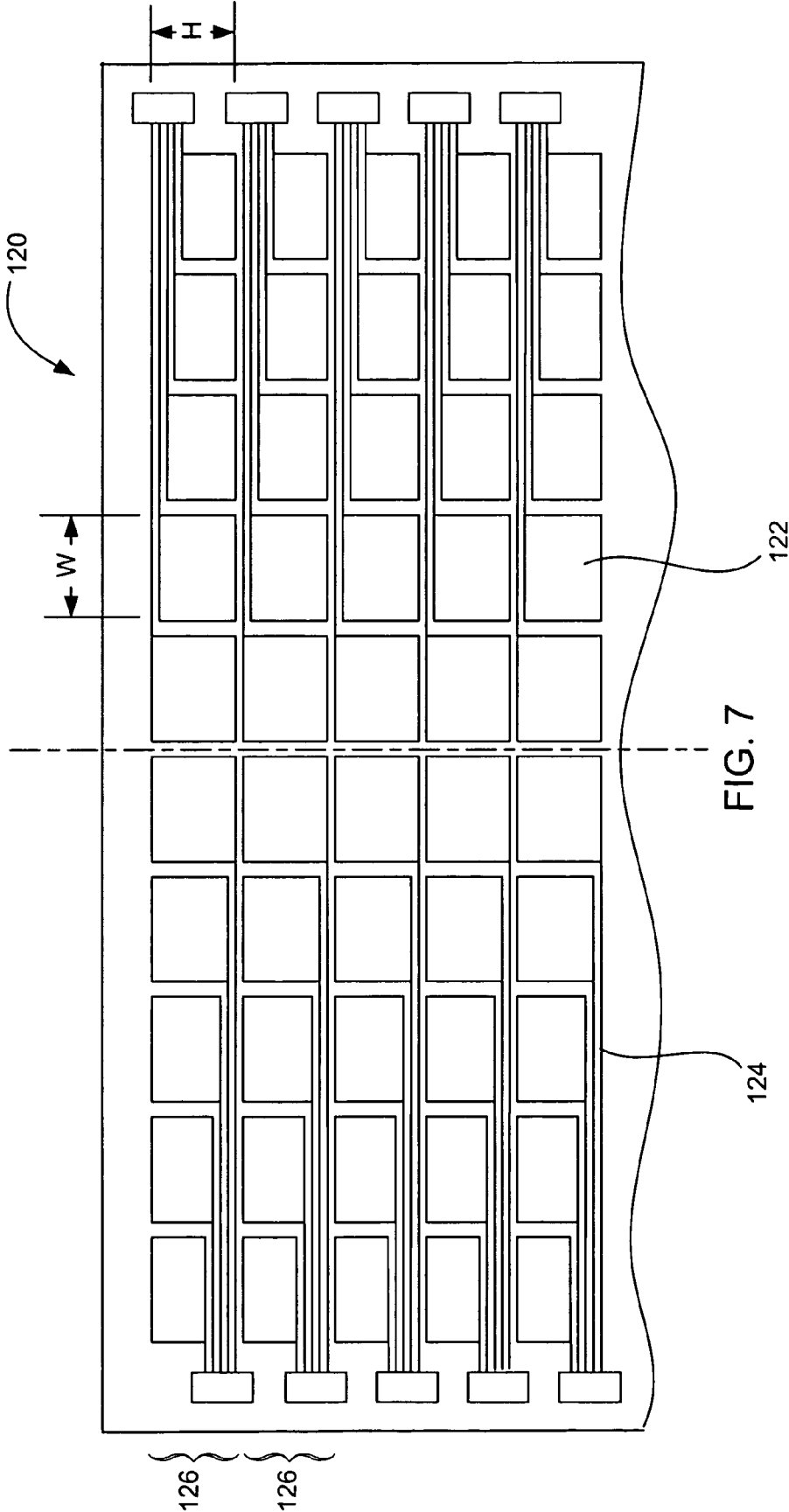
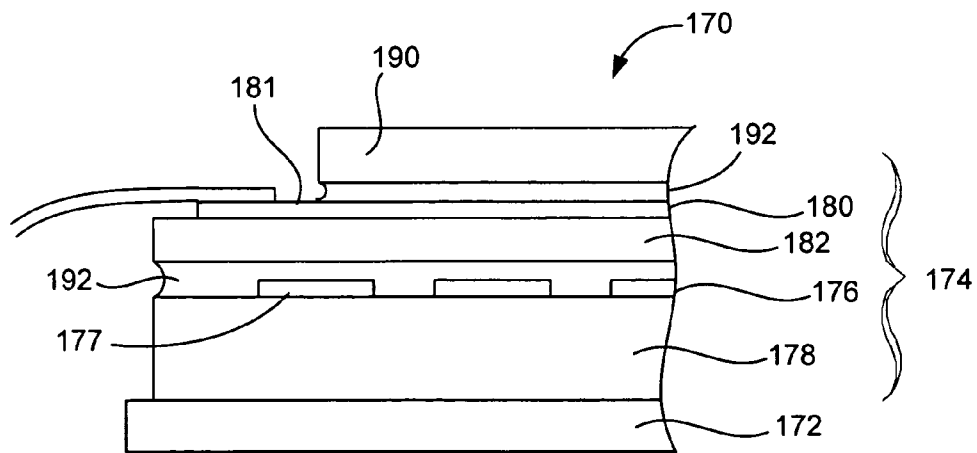
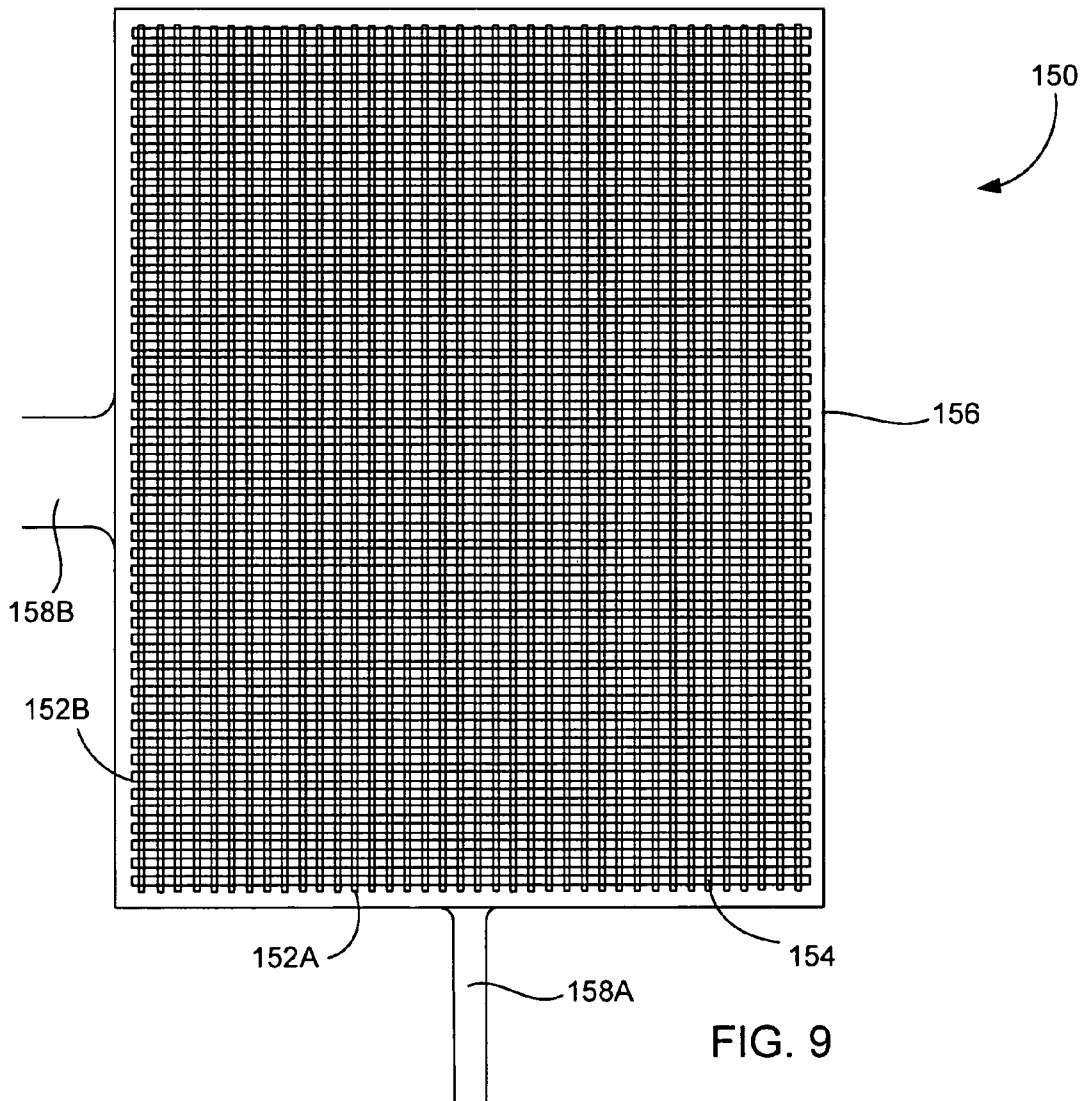


FIG. 5







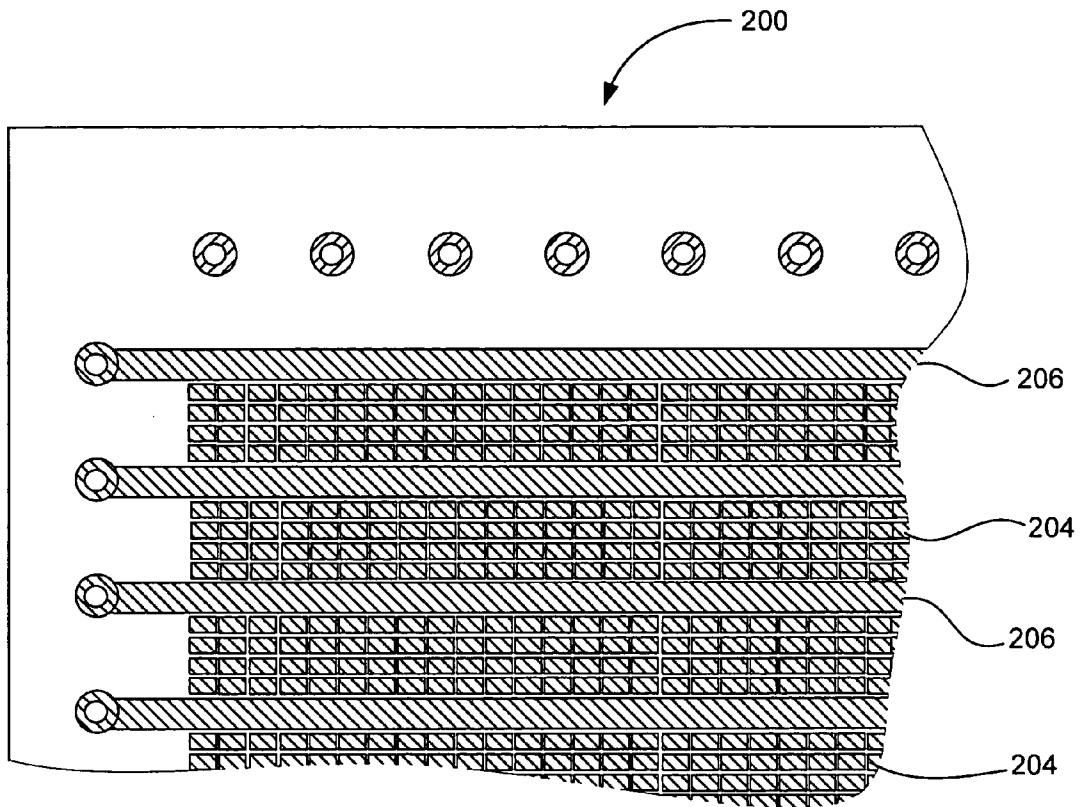


FIG. 11A

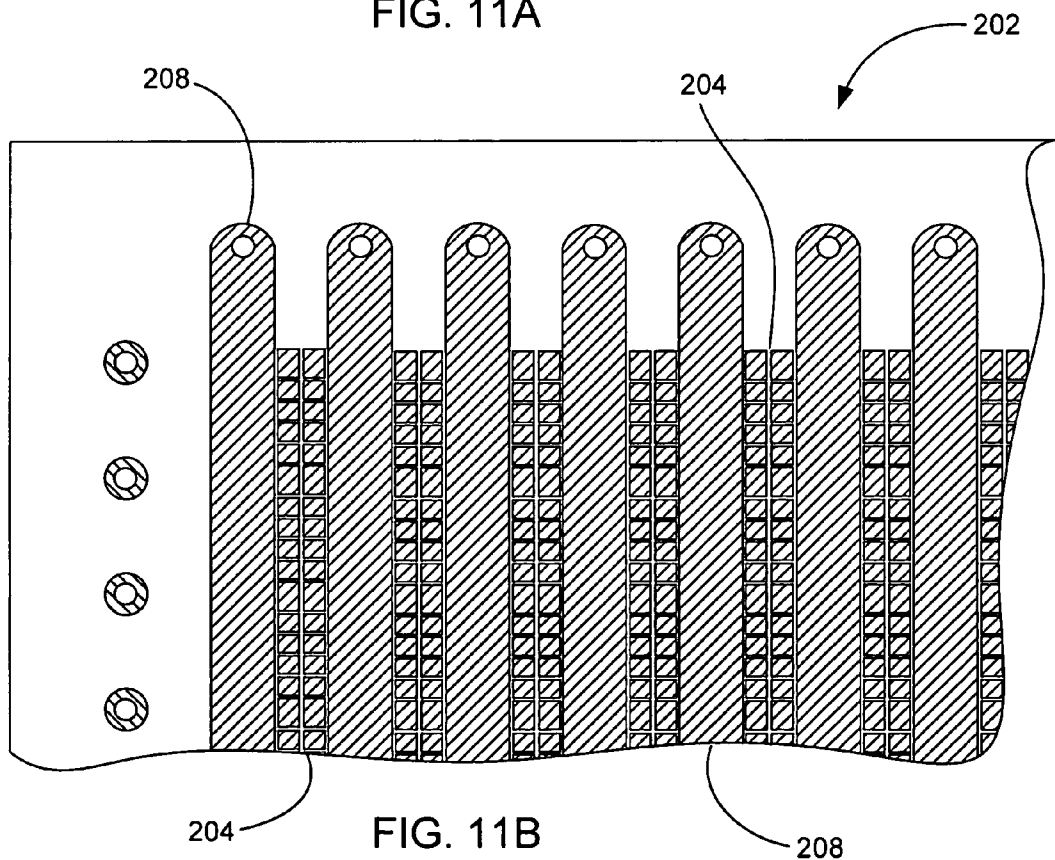


FIG. 11B

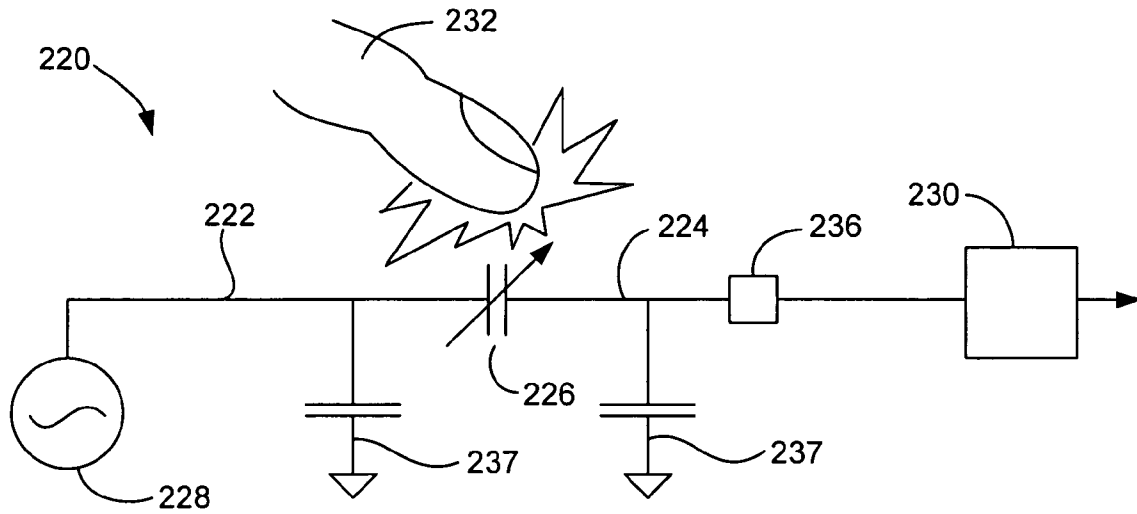


FIG. 12

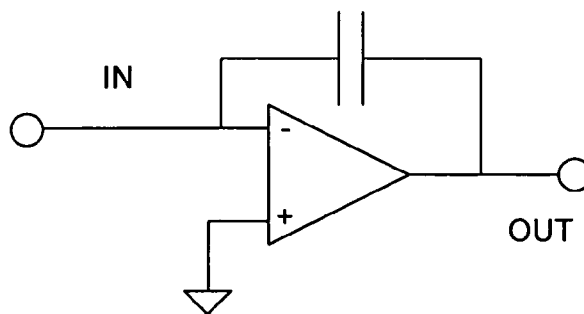


FIG. 13

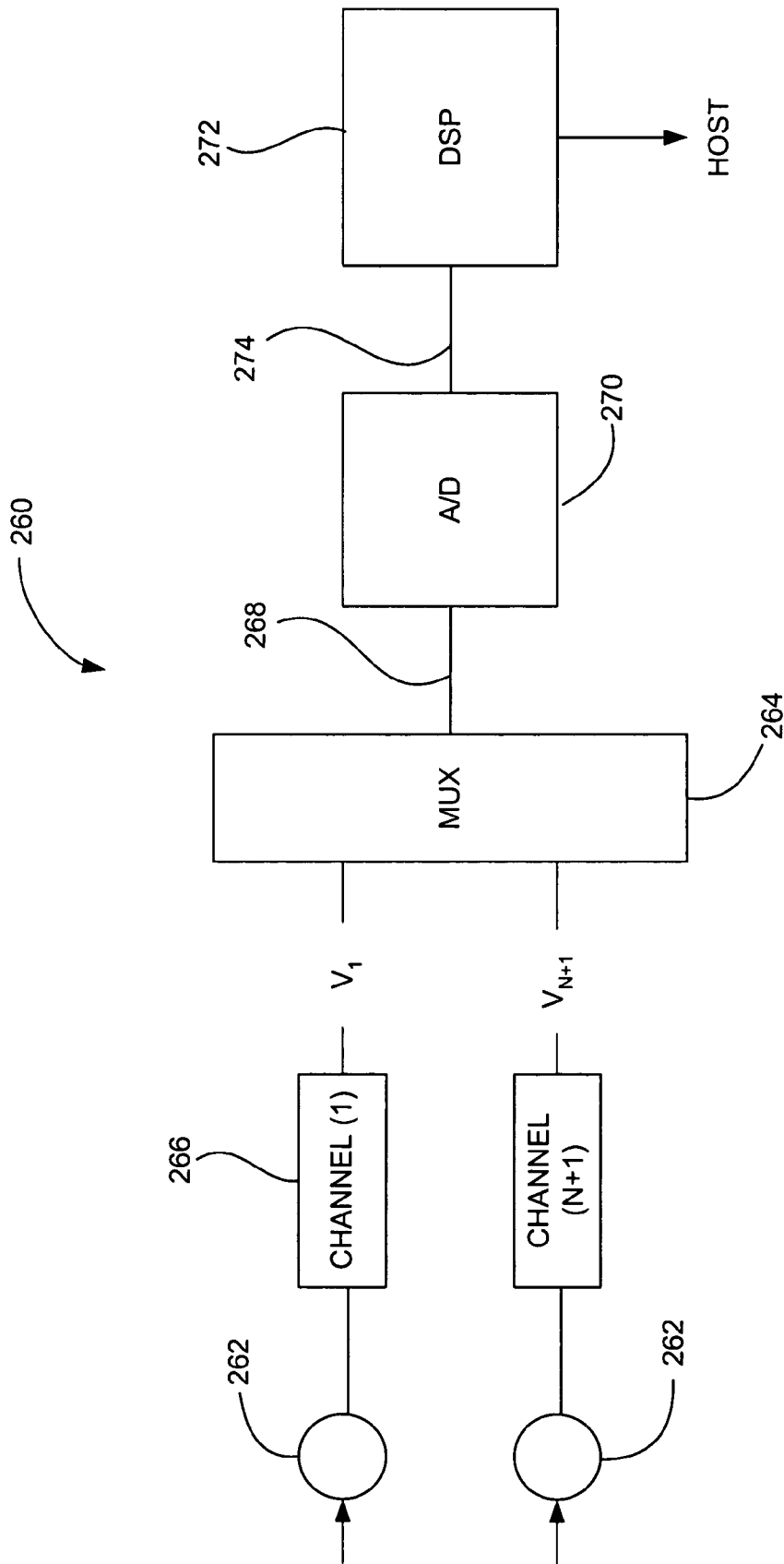


FIG. 14



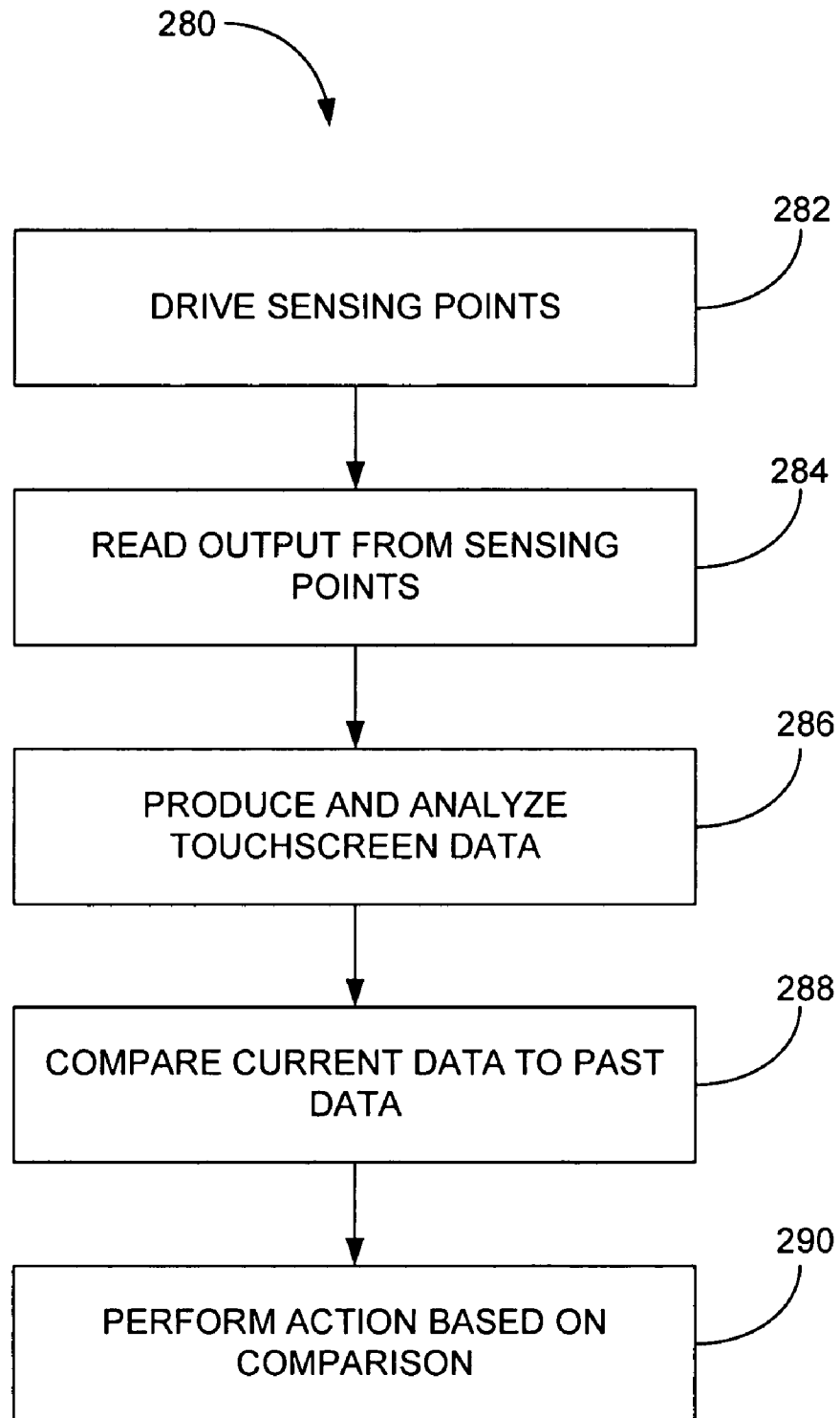


FIG. 15

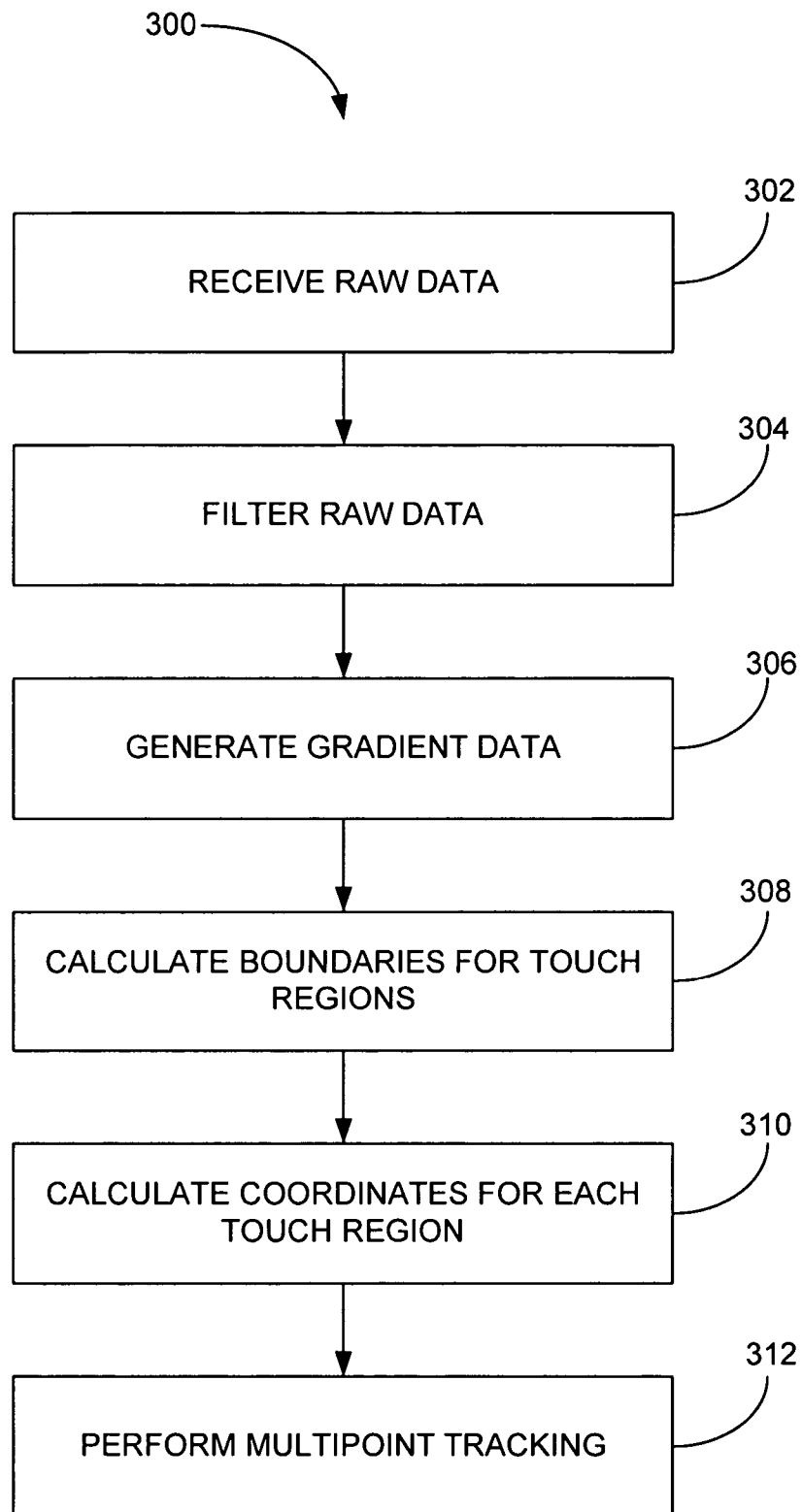


FIG. 16

RAW DATA INCLUDING NOISE

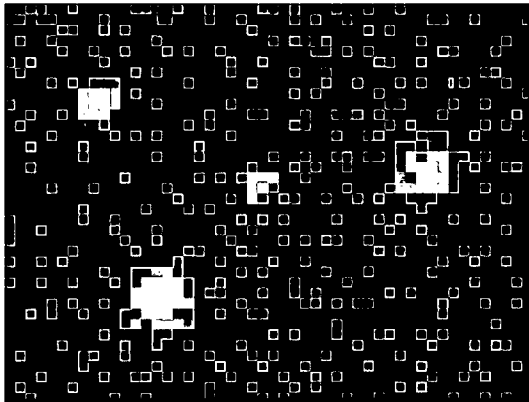


FIG. 17A

FILTERED DATA

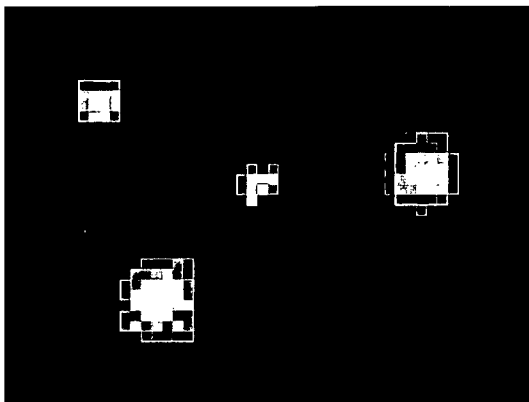


FIG. 17B

GRADIENT DATA

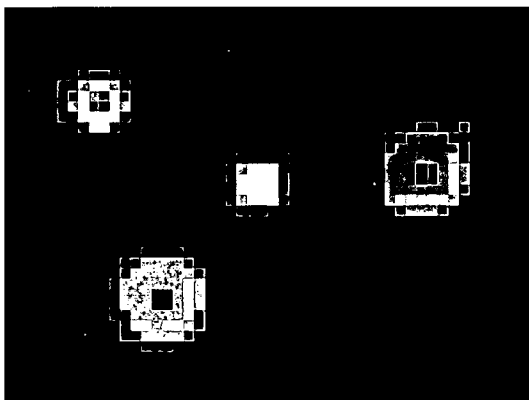


FIG. 17C

TOUCH REGIONS

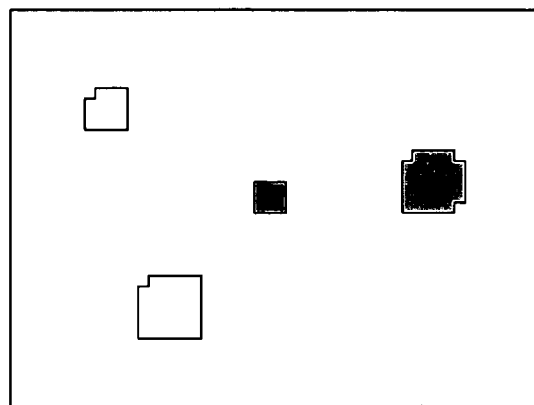


FIG. 17D

COORDINATES OF TOUCH REGIONS

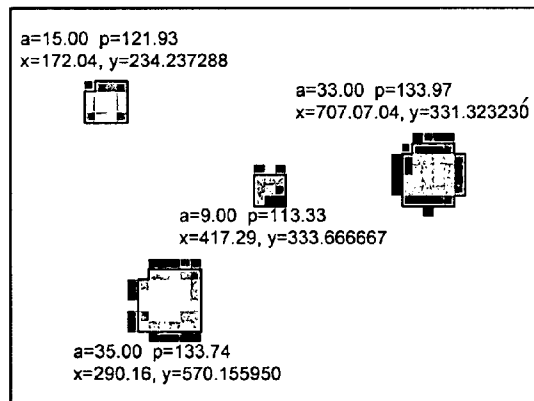


FIG. 17E

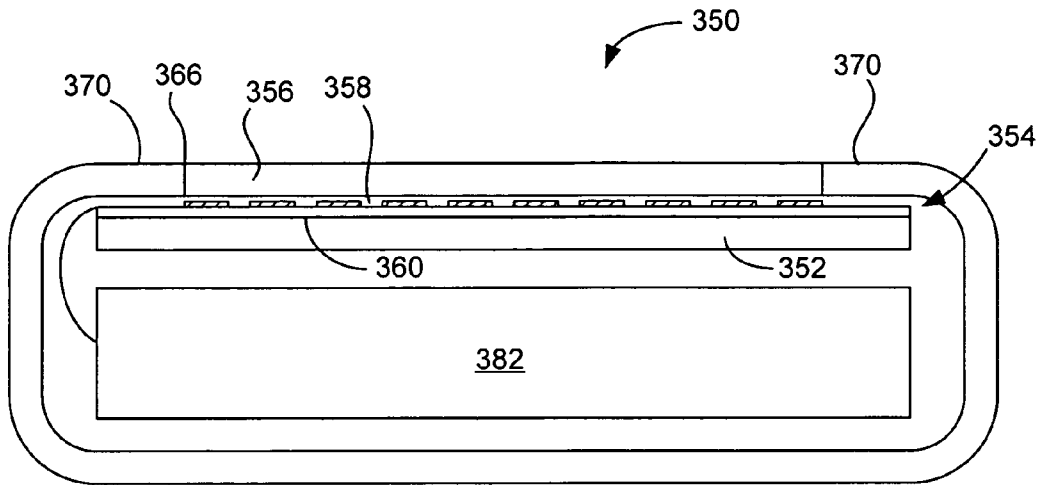


FIG. 18

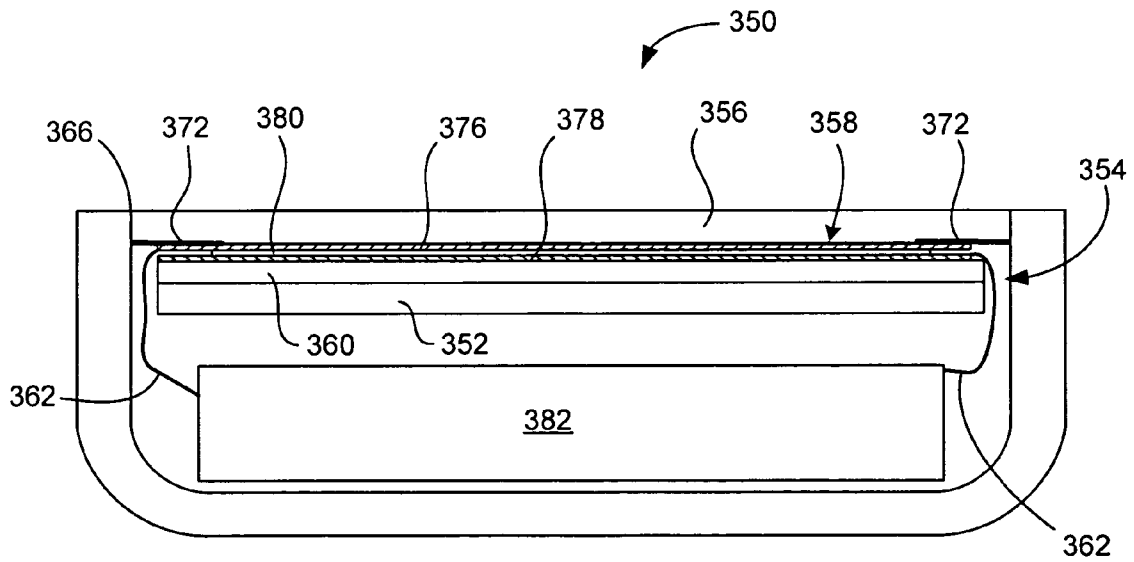


FIG. 19

1

**MULTIPOINT TOUCHSCREEN**

## BACKGROUND OF THE INVENTION

## 1. Field of the Invention

The present invention relates generally to an electronic device having a touch screen. More particularly, the present invention relates to a touch screen capable of sensing multiple points at the same time.

## 2. Description of the Related Art

There exist today many styles of input devices for performing operations in a computer system. The operations generally correspond to moving a cursor and/or making selections on a display screen. By way of example, the input devices may include buttons or keys, mice, trackballs, touch pads, joy sticks, touch screens and the like. Touch screens, in particular, are becoming increasingly popular because of their ease and versatility of operation as well as to their declining price. Touch screens allow a user to make selections and move a cursor by simply touching the display screen via a finger or stylus. In general, the touch screen recognizes the touch and position of the touch on the display screen and the computer system interprets the touch and thereafter performs an action based on the touch event.

Touch screens typically include a touch panel, a controller and a software driver. The touch panel is a clear panel with a touch sensitive surface. The touch panel is positioned in front of a display screen so that the touch sensitive surface covers the viewable area of the display screen. The touch panel registers touch events and sends these signals to the controller. The controller processes these signals and sends the data to the computer system. The software driver translates the touch events into computer events.

There are several types of touch screen technologies including resistive, capacitive, infrared, surface acoustic wave, electromagnetic, near field imaging, etc. Each of these devices has advantages and disadvantages that are taken into account when designing or configuring a touch screen. In resistive technologies, the touch panel is coated with a thin metallic electrically conductive and resistive layer. When the panel is touched, the layers come into contact thereby closing a switch that registers the position of the touch event. This information is sent to the controller for further processing. In capacitive technologies, the touch panel is coated with a material that stores electrical charge. When the panel is touched, a small amount of charge is drawn to the point of contact. Circuits located at each corner of the panel measure the charge and send the information to the controller for processing.

In surface acoustic wave technologies, ultrasonic waves are sent horizontally and vertically over the touch screen panel as for example by transducers. When the panel is touched, the acoustic energy of the waves are absorbed. Sensors located across from the transducers detect this change and send the information to the controller for processing. In infrared technologies, light beams are sent horizontally and vertically over the touch panel as for example by light emitting diodes. When the panel is touched, some of the light beams emanating from the light emitting diodes are interrupted. Light detectors located across from the light emitting diodes detect this change and send this information to the controller for processing.

One problem found in all of these technologies is that they are only capable of reporting a single point even when multiple objects are placed on the sensing surface. That is, they lack the ability to track multiple points of contact simultaneously. In resistive and capacitive technologies, an average

2

of all simultaneously occurring touch points are determined and a single point which falls somewhere between the touch points is reported. In surface wave and infrared technologies, it is impossible to discern the exact position of multiple touch points that fall on the same horizontal or vertical lines due to masking. In either case, faulty results are generated.

These problems are particularly problematic in tablet PCs where one hand is used to hold the tablet and the other is used to generate touch events. For example, as shown in FIGS. 1A and 1B, holding a tablet 2 causes the thumb 3 to overlap the edge of the touch sensitive surface 4 of the touch screen 5. As shown in FIG. 1A, if the touch technology uses averaging, the technique used by resistive and capacitive panels, then a single point that falls somewhere between the thumb 3 of the left hand and the index finger 6 of the right hand would be reported. As shown in FIG. 1B, if the technology uses projection scanning, the technique used by infra red and SAW panels, it is hard to discern the exact vertical position of the index finger 6 due to the large vertical component of the thumb 3. The tablet 2 can only resolve the patches shown in gray. In essence, the thumb 3 masks out the vertical position of the index finger 6.

## SUMMARY OF THE INVENTION

The invention relates, in one embodiment, to a touch panel having a transparent capacitive sensing medium configured to detect multiple touches or near touches that occur at the same time and at distinct locations in the plane of the touch panel and to produce distinct signals representative of the location of the touches on the plane of the touch panel for each of the multiple touches.

The invention relates, in another embodiment, to a display arrangement. The display arrangement includes a display having a screen for displaying a graphical user interface. The display arrangement further includes a transparent touch panel allowing the screen to be viewed therethrough and capable of recognizing multiple touch events that occur at different locations on the touch sensitive surface of the touch screen at the same time and to output this information to a host device.

The invention relates, in another embodiment, to a computer implemented method. The method includes receiving multiple touches on the surface of a transparent touch screen at the same time. The method also includes separately recognizing each of the multiple touches. The method further includes reporting touch data based on the recognized multiple touches.

The invention relates, in another embodiment, to a computer system. The computer system includes a processor configured to execute instructions and to carry out operations associated with the computer system. The computer also includes a display device that is operatively coupled to the processor. The computer system further includes a touch screen that is operatively coupled to the processor. The touch screen is a substantially transparent panel that is positioned in front of the display. The touch screen is configured to track multiple objects, which rest on, tap on or move across the touch screen at the same time. The touch screen includes a capacitive sensing device that is divided into several independent and spatially distinct sensing points that are positioned throughout the plane of the touch screen. Each sensing point is capable of generating a signal at the same time. The touch screen also includes a sensing circuit that acquires data from the sensing device and that supplies the acquired data to the processor.

3

The invention relates, in another embodiment, to a touch screen method. The method includes driving a plurality of sensing points. The method also includes reading the outputs from all the sensing lines connected to the sensing points. The method further includes producing and analyzing an image of the touch screen plane at one moment in time in order to determine where objects are touching the touch screen. The method additionally includes comparing the current image to a past image in order to determine a change at the objects touching the touch screen.

The invention relates, in another embodiment, to a digital signal processing method. The method includes receiving raw data. The raw data includes values for each transparent capacitive sensing node of a touch screen. The method also includes filtering the raw data. The method further includes generating gradient data. The method additionally includes calculating the boundaries for touch regions base on the gradient data. Moreover, the method includes calculating the coordinates for each touch region.

#### BRIEF DESCRIPTION OF THE DRAWINGS

The invention will be readily understood by the following detailed description in conjunction with the accompanying drawings, wherein like reference numerals designate like structural elements, and in which:

FIGS. 1A and 1B show a user holding conventional touch screens.

FIG. 2 is a perspective view of a display arrangement, in accordance with one embodiment of the present invention.

FIG. 3 shows an image of the touch screen plane at a particular point in time, in accordance with one embodiment of the present invention.

FIG. 4 is a multipoint touch method, in accordance with one embodiment of the present invention.

FIG. 5 is a block diagram of a computer system, in accordance with one embodiment of the present invention.

FIG. 6 is a partial top view of a transparent multiple point touch screen, in accordance with one embodiment of the present invention.

FIG. 7 is a partial top view of a transparent multi point touch screen, in accordance with one embodiment of the present invention.

FIG. 8 is a front elevation view, in cross section of a display arrangement, in accordance with one embodiment of the present invention.

FIG. 9 is a top view of a transparent multipoint touch screen, in accordance with another embodiment of the present invention.

FIG. 10 is a partial front elevation view, in cross section of a display arrangement, in accordance with one embodiment of the present invention.

FIGS. 11A and 11B are partial top view diagrams of a driving layer and a sensing layer, in accordance with one embodiment.

FIG. 12 is a simplified diagram of a mutual capacitance circuit, in accordance with one embodiment of the present invention.

FIG. 13 is a diagram of a charge amplifier, in accordance with one embodiment of the present invention.

FIG. 14 is a block diagram of a capacitive sensing circuit, in accordance with one embodiment of the present invention.

FIG. 15 is a flow diagram, in accordance with one embodiment of the present invention.

FIG. 16 is a flow diagram of a digital signal processing method, in accordance with one embodiment of the present invention.

4

FIGS. 17A-E show touch data at several steps, in accordance with one embodiment of the present invention

FIG. 18 is a side elevation view of an electronic device, in accordance with one embodiments of the present invention.

FIG. 19 is a side elevation view of an electronic device, in accordance with one embodiments of the present invention.

#### DETAILED DESCRIPTION OF THE INVENTION

Embodiments of the invention are discussed below with reference to FIGS. 2-19. However, those skilled in the art will readily appreciate that the detailed description given herein with respect to these figures is for explanatory purposes as the invention extends beyond these limited embodiments.

FIG. 2 is a perspective view of a display arrangement 30, in accordance with one embodiment of the present invention. The display arrangement 30 includes a display 34 and a transparent touch screen 36 positioned in front of the display 34. The display 34 is configured to display a graphical user interface (GUI) including perhaps a pointer or cursor as well as other information to the user. The transparent touch screen 36, on the other hand, is an input device that is sensitive to a user's touch, allowing a user to interact with the graphical user interface on the display 34. By way of example, the touch screen 36 may allow a user to move an input pointer or make selections on the graphical user interface by simply pointing at the GUI on the display 34.

In general, touch screens 36 recognize a touch event on the surface 38 of the touch screen 36 and thereafter output this information to a host device. The host device may for example correspond to a computer such as a desktop, laptop, handheld or tablet computer. The host device interprets the touch event and thereafter performs an action based on the touch event. Conventionally, touch screens have only been capable of recognizing a single touch event even when the touch screen is touched at multiple points at the same time (e.g., averaging, masking, etc.). Unlike conventional touch screens, however, the touch screen 36 shown herein is configured to recognize multiple touch events that occur at different locations on the touch sensitive surface 38 of the touch screen 36 at the same time. That is, the touch screen 36 allows for multiple contact points T1-T4 to be tracked simultaneously, i.e., if four objects are touching the touch screen, then the touch screen tracks all four objects. As shown, the touch screen 36 generates separate tracking signals S1-S4 for each touch point T1-T4 that occurs on the surface of the touch screen 36 at the same time. The number of recognizable touches may be about 15. 15 touch points allows for all 10 fingers, two palms and 3 others.

The multiple touch events can be used separately or together to perform singular or multiple actions in the host device. When used separately, a first touch event may be used to perform a first action while a second touch event may be used to perform a second action that is different than the first action. The actions may for example include moving an object such as a cursor or pointer, scrolling or panning, adjusting control settings, opening a file or document, viewing a menu, making a selection, executing instructions, operating a peripheral device connected to the host device etc. When used together, first and second touch events may be used for performing one particular action. The particular action may for example include logging onto a computer or a computer network, permitting authorized individuals access to restricted areas of the computer or computer network, loading a user profile associated with a user's preferred arrangement of the computer desktop, permitting access to web content, launching a particular program, encrypting or decoding a message, and/or the like.

Recognizing multiple touch events is generally accomplished with a multipoint sensing arrangement. The multipoint sensing arrangement is capable of simultaneously detecting and monitoring touches and the magnitude of those touches at distinct points across the touch sensitive surface **38** of the touch screen **36**. The multipoint sensing arrangement generally provides a plurality of transparent sensor coordinates or nodes **42** that work independent of one another and that represent different points on the touch screen **36**. When plural objects are pressed against the touch screen **36**, one or more sensor coordinates are activated for each touch point as for example touch points T1-T4. The sensor coordinates **42** associated with each touch point T1-T4 produce the tracking signals S1-S4.

In one embodiment, the touch screen **36** includes a plurality of capacitance sensing nodes **42**. The capacitive sensing nodes may be widely varied. For example, the capacitive sensing nodes may be based on self capacitance or mutual capacitance. In self capacitance, the "self" capacitance of a single electrode is measured as for example relative to ground. In mutual capacitance, the mutual capacitance between at least first and second electrodes is measured. In either cases, each of the nodes **42** works independent of the other nodes **42** so as to produce simultaneously occurring signals representative of different points on the touch screen **36**.

In order to produce a transparent touch screen **36**, the capacitance sensing nodes **42** are formed with a transparent conductive medium such as indium tin oxide (ITO). In self capacitance sensing arrangements, the transparent conductive medium is patterned into spatially separated electrodes and traces. Each of the electrodes represents a different coordinate and the traces connect the electrodes to a capacitive sensing circuit. The coordinates may be associated with Cartesian coordinate system (x and y), Polar coordinate system (r,  $\theta$ ) or some other coordinate system. In a Cartesian coordinate system, the electrodes may be positioned in columns and rows so as to form a grid array with each electrode representing a different x, y coordinate. During operation, the capacitive sensing circuit monitors changes in capacitance that occur at each of the electrodes. The positions where changes occur and the magnitude of those changes are used to help recognize the multiple touch events. A change in capacitance typically occurs at an electrode when a user places an object such as a finger in close proximity to the electrode, i.e., the object steals charge thereby affecting the capacitance.

In mutual capacitance, the transparent conductive medium is patterned into a group of spatially separated lines formed on two different layers. Driving lines are formed on a first layer and sensing lines are formed on a second layer. Although separated by being on different layers, the sensing lines traverse, intersect or cut across the driving lines thereby forming a capacitive coupling node. The manner in which the sensing lines cut across the driving lines generally depends on the coordinate system used. For example, in a Cartesian coordinate system, the sensing lines are perpendicular to the driving lines thereby forming nodes with distinct x and y coordinates. Alternatively, in a polar coordinate system, the sensing lines may be concentric circles and the driving lines may be radially extending lines (or vice versa). The driving lines are connected to a voltage source and the sensing lines are connected to capacitive sensing circuit. During operation, a current is driven through one driving line at a time, and because of capacitive coupling, the current is carried through to the sensing lines at each of the nodes (e.g., intersection points). Furthermore, the sensing circuit monitors changes in capacitance that occurs at each of the nodes. The positions where

changes occur and the magnitude of those changes are used to help recognize the multiple touch events. A change in capacitance typically occurs at a capacitive coupling node when a user places an object such as a finger in close proximity to the capacitive coupling node, i.e., the object steals charge thereby affecting the capacitance.

By way of example, the signals generated at the nodes **42** of the touch screen **36** may be used to produce an image of the touch screen plane at a particular point in time. Referring to FIG. 3, each object in contact with a touch sensitive surface **38** of the touch screen **36** produces a contact patch area **44**. Each of the contact patch areas **44** covers several nodes **42**. The covered nodes **42** detect surface contact while the remaining nodes **42** do not detect surface contact. As a result, a pixilated image of the touch screen plane can be formed. The signals for each contact patch area **44** may be grouped together to form individual images representative of the contact patch area **44**. The image of each contact patch area **44** may include high and low points based on the pressure at each point. The shape of the image as well as the high and low points within the image may be used to differentiate contact patch areas **44** that are in close proximity to one another. Furthermore, the current image, and more particularly the image of each contact patch area **44** can be compared to previous images to determine what action to perform in a host device.

Referring back to FIG. 2, the display arrangement **30** may be a stand alone unit or it may integrated with other devices. When stand alone, the display arrangement **32** (or each of its components) acts like a peripheral device (monitor) that includes its own housing and that can be coupled to a host device through wired or wireless connections. When integrated, the display arrangement **30** shares a housing and is hard wired into the host device thereby forming a single unit. By way of example, the display arrangement **30** may be disposed inside a variety of host devices including but not limited to general purpose computers such as a desktop, laptop or tablet computers, handhelds such as PDAs and media players such as music players, or peripheral devices such as cameras, printers and/or the like.

FIG. 4 is a multipoint touch method **45**, in accordance with one embodiment of the present invention. The method generally begins at block **46** where multiple touches are received on the surface of the touch screen at the same time. This may for example be accomplished by placing multiple fingers on the surface of the touch screen. Following block **46**, the process flow proceeds to block **47** where each of the multiple touches is separately recognized by the touch screen. This may for example be accomplished by multipoint capacitance sensors located within the touch screen. Following block **47**, the process flow proceeds to block **48** where the touch data based on multiple touches is reported. The touch data may for example be reported to a host device such as a general purpose computer.

FIG. 5 is a block diagram of a computer system **50**, in accordance with one embodiment of the present invention. The computer system **50** may correspond to personal computer systems such as desktops, laptops, tablets or handhelds. By way of example, the computer system may correspond to any Apple or PC based computer system. The computer system may also correspond to public computer systems such as information kiosks, automated teller machines (ATM), point of sale machines (POS), industrial machines, gaming machines, arcade machines, vending machines, airline e-ticket terminals, restaurant reservation terminals, customer service stations, library terminals, learning devices, and the like.

As shown, the computer system 50 includes a processor 56 configured to execute instructions and to carry out operations associated with the computer system 50. For example, using instructions retrieved for example from memory, the processor 56 may control the reception and manipulation of input and output data between components of the computing system 50. The processor 56 can be a single-chip processor or can be implemented with multiple components.

In most cases, the processor 56 together with an operating system operates to execute computer code and produce and use data. The computer code and data may reside within a program storage block 58 that is operatively coupled to the processor 56. Program storage block 58 generally provides a place to hold data that is being used by the computer system 50. By way of example, the program storage block may include Read-Only Memory (ROM) 60, Random-Access Memory (RAM) 62, hard disk drive 64 and/or the like. The computer code and data could also reside on a removable storage medium and loaded or installed onto the computer system when needed. Removable storage mediums include, for example, CD-ROM, PC-CARD, floppy disk, magnetic tape, and a network component.

The computer system 50 also includes an input/output (I/O) controller 66 that is operatively coupled to the processor 56. The I/O controller 66 may be integrated with the processor 56 or it may be a separate component as shown. The I/O controller 66 is generally configured to control interactions with one or more I/O devices. The I/O controller 66 generally operates by exchanging data between the processor and the I/O devices that desire to communicate with the processor. The I/O devices and the I/O controller typically communicate through a data link 67. The data link 67 may be a one way link or two way link. In some cases, the I/O devices may be connected to the I/O controller 66 through wired connections. In other cases, the I/O devices may be connected to the I/O controller 66 through wireless connections. By way of example, the data link 67 may correspond to PS/2, USB, Firewire, IR, RF, Bluetooth or the like.

The computer system 50 also includes a display device 68 that is operatively coupled to the processor 56. The display device 68 may be a separate component (peripheral device) or it may be integrated with the processor and program storage to form a desktop computer (all in one machine), a laptop, handheld or tablet or the like. The display device 68 is configured to display a graphical user interface (GUI) including perhaps a pointer or cursor as well as other information to the user. By way of example, the display device 68 may be a monochrome display, color graphics adapter (CGA) display, enhanced graphics adapter (EGA) display, variable-graphics-array (VGA) display, super VGA display, liquid crystal display (e.g., active matrix, passive matrix and the like), cathode ray tube (CRT), plasma displays and the like.

The computer system 50 also includes a touch screen 70 that is operatively coupled to the processor 56. The touch screen 70 is a transparent panel that is positioned in front of the display device 68. The touch screen 70 may be integrated with the display device 68 or it may be a separate component. The touch screen 70 is configured to receive input from a user's touch and to send this information to the processor 56. In most cases, the touch screen 70 recognizes touches and the position and magnitude of touches on its surface. The touch screen 70 reports the touches to the processor 56 and the processor 56 interprets the touches in accordance with its programming. For example, the processor 56 may initiate a task in accordance with a particular touch.

In accordance with one embodiment, the touch screen 70 is capable of tracking multiple objects, which rest on, tap on, or

move across the touch sensitive surface of the touch screen at the same time. The multiple objects may for example correspond to fingers and palms. Because the touch screen is capable of tracking multiple objects, a user may perform several touch initiated tasks at the same time. For example, the user may select an onscreen button with one finger, while moving a cursor with another finger. In addition, a user may move a scroll bar with one finger while selecting an item from a menu with another finger. Furthermore, a first object may be dragged with one finger while a second object may be dragged with another finger. Moreover, gesturing may be performed with more than one finger.

To elaborate, the touch screen 70 generally includes a sensing device 72 configured to detect an object in close proximity thereto and/or the pressure exerted thereon. The sensing device 72 may be widely varied. In one particular embodiment, the sensing device 72 is divided into several independent and spatially distinct sensing points, nodes or regions 74 that are positioned throughout the touch screen 70. The sensing points 74, which are typically hidden from view, are dispersed about the touch screen 70 with each sensing point 74 representing a different position on the surface of the touch screen 70 (or touch screen plane). The sensing points 74 may be positioned in a grid or a pixel array where each pixelated sensing point 74 is capable of generating a signal at the same time. In the simplest case, a signal is produced each time an object is positioned over a sensing point 74. When an object is placed over multiple sensing points 74 or when the object is moved between or over multiple sensing point 74, multiple signals are generated.

The number and configuration of the sensing points 74 may be widely varied. The number of sensing points 74 generally depends on the desired sensitivity as well as the desired transparency of the touch screen 70. More nodes or sensing points generally increases sensitivity, but reduces transparency (and vice versa). With regards to configuration, the sensing points 74 generally map the touch screen plane into a coordinate system such as a Cartesian coordinate system, a Polar coordinate system or some other coordinate system. When a Cartesian coordinate system is used (as shown), the sensing points 74 typically correspond to x and y coordinates. When a Polar coordinate system is used, the sensing points typically correspond to radial (r) and angular coordinates ( $\theta$ ).

The touch screen 70 may include a sensing circuit 76 that acquires the data from the sensing device 72 and that supplies the acquired data to the processor 56. Alternatively, the processor may include this functionality. In one embodiment, the sensing circuit 76 is configured to send raw data to the processor 56 so that the processor 56 processes the raw data. For example, the processor 56 receives data from the sensing circuit 76 and then determines how the data is to be used within the computer system 50. The data may include the coordinates of each sensing point 74 as well as the pressure exerted on each sensing point 74. In another embodiment, the sensing circuit 76 is configured to process the raw data itself. That is, the sensing circuit 76 reads the pulses from the sensing points 74 and turns them into data that the processor 56 can understand. The sensing circuit 76 may perform filtering and/or conversion processes. Filtering processes are typically implemented to reduce a busy data stream so that the processor 56 is not overloaded with redundant or non-essential data. The conversion processes may be implemented to adjust the raw data before sending or reporting them to the processor 56. The conversions may include determining the center point for each touch region (e.g., centroid).

The sensing circuit 76 may include a storage element for storing a touch screen program, which is a capable of con-



trolling different aspects of the touch screen 70. For example, the touch screen program may contain what type of value to output based on the sensing points 74 selected (e.g., coordinates). In fact, the sensing circuit in conjunction with the touch screen program may follow a predetermined communication protocol. As is generally well known, communication protocols are a set of rules and procedures for exchanging data between two devices. Communication protocols typically transmit information in data blocks or packets that contain the data to be transmitted, the data required to direct the packet to its destination, and the data that corrects errors that occur along the way. By way of example, the sensing circuit may place the data in a HID format (Human Interface Device).

The sensing circuit 76 generally includes one or more microcontrollers, each of which monitors one or more sensing points 74. The microcontrollers may for example correspond to an application specific integrated circuit (ASIC), which works with firmware to monitor the signals from the sensing device 72 and to process the monitored signals and to report this information to the processor 56.

In accordance with one embodiment, the sensing device 72 is based on capacitance. As should be appreciated, whenever two electrically conductive members come close to one another without actually touching, their electric fields interact to form capacitance. In most cases, the first electrically conductive member is a sensing point 74 and the second electrically conductive member is an object 80 such as a finger. As the object 80 approaches the surface of the touch screen 70, a tiny capacitance forms between the object 80 and the sensing points 74 in close proximity to the object 80. By detecting changes in capacitance at each of the sensing points 74 and noting the position of the sensing points, the sensing circuit can recognize multiple objects, and determine the location, pressure, direction, speed and acceleration of the objects 80 as they are moved across the touch screen 70. For example, the sensing circuit can determine when and where each of the fingers and palm of one or more hands are touching as well as the pressure being exerted by the finger and palm of the hand(s) at the same time.

The simplicity of capacitance allows for a great deal of flexibility in design and construction of the sensing device 72. By way of example, the sensing device 72 may be based on self capacitance or mutual capacitance. In self capacitance, each of the sensing points 74 is provided by an individual charged electrode. As an object approaches the surface of the touch screen 70, the object capacitively couples to those electrodes in close proximity to the object thereby stealing charge away from the electrodes. The amount of charge in each of the electrodes are measured by the sensing circuit 76 to determine the positions of multiple objects when they touch the touch screen 70. In mutual capacitance, the sensing device 72 includes a two layer grid of spatially separated lines or wires. In the simplest case, the upper layer includes lines in rows while the lower layer includes lines in columns (e.g., orthogonal). The sensing points 74 are provided at the intersections of the rows and columns. During operation, the rows are charged and the charge capacitively couples to the columns at the intersection. As an object approaches the surface of the touch screen, the object capacitively couples to the rows at the intersections in close proximity to the object thereby stealing charge away from the rows and therefore the columns as well. The amount of charge in each of the columns is measured by the sensing circuit 76 to determine the positions of multiple objects when they touch the touch screen 70.

FIG. 6 is a partial top view of a transparent multiple point touch screen 100, in accordance with one embodiment of the

present invention. By way of example, the touch screen 100 may generally correspond to the touch screen shown in FIGS. 2 and 4. The multipoint touch screen 100 is capable of sensing the position and the pressure of multiple objects at the same time. This particular touch screen 100 is based on self capacitance and thus it includes a plurality of transparent capacitive sensing electrodes 102, which each represent different coordinates in the plane of the touch screen 100. The electrodes 102 are configured to receive capacitive input from one or more objects touching the touch screen 100 in the vicinity of the electrodes 102. When an object is proximate an electrode 102, the object steals charge thereby affecting the capacitance at the electrode 102. The electrodes 102 are connected to a capacitive sensing circuit 104 through traces 106 that are positioned in the gaps 108 found between the spaced apart electrodes 102. The electrodes 102 are spaced apart in order to electrically isolate them from each other as well as to provide a space for separately routing the sense traces 106. The gap 108 is preferably made small so as to maximize the sensing area and to minimize optical differences between the space and the transparent electrodes.

As shown, the sense traces 106 are routed from each electrode 102 to the sides of the touch screen 100 where they are connected to the capacitive sensing circuit 104. The capacitive sensing circuit 104 includes one or more sensor ICs 110 that measure the capacitance at each electrode 102 and that reports its findings or some form thereof to a host controller. The sensor ICs 110 may for example convert the analog capacitive signals to digital data and thereafter transmit the digital data over a serial bus to a host controller. Any number of sensor ICs may be used. For example, a single chip may be used for all electrodes, or multiple chips may be used for a single or group of electrodes. In most cases, the sensor ICs 110 report tracking signals, which are a function of both the position of the electrode 102 and the intensity of the capacitance at the electrode 102.

The electrodes 102, traces 106 and sensing circuit 104 are generally disposed on an optical transmissive member 112. In most cases, the optically transmissive member 112 is formed from a clear material such as glass or plastic. The electrode 102 and traces 106 may be placed on the member 112 using any suitable patterning technique including for example, deposition, etching, printing and the like. The electrodes 102 and sense traces 106 can be made from any suitable transparent conductive material. By way of example, the electrodes 102 and traces 106 may be formed from indium tin oxide (ITO). In addition, the sensor ICs 110 of the sensing circuit 104 can be electrically coupled to the traces 106 using any suitable techniques. In one implementation, the sensor ICs 110 are placed directly on the member 112 (flip chip). In another implementation, a flex circuit is bonded to the member 112, and the sensor ICs 110 are attached to the flex circuit. In yet another implementation, a flex circuit is bonded to the member 112, a PCB is bonded to the flex circuit and the sensor ICs 110 are attached to the PCB. The sensor ICs may for example be capacitance sensing ICs such as those manufactured by Synaptics of San Jose, Calif., Fingerworks of Newark, Del. or Alps of San Jose, Calif.

The distribution of the electrodes 102 may be widely varied. For example, the electrodes 102 may be positioned almost anywhere in the plane of the touch screen 100. The electrodes 102 may be positioned randomly or in a particular pattern about the touch screen 100. With regards to the later, the position of the electrodes 102 may depend on the coordinate system used. For example, the electrodes 102 may be placed in an array of rows and columns for Cartesian coordinates or an array of concentric and radial segments for polar

11

coordinates. Within each array, the rows, columns, concentric or radial segments may be stacked uniformly relative to the others or they may be staggered or offset relative to the others. Additionally, within each row or column, or within each concentric or radial segment, the electrodes **102** may be staggered or offset relative to an adjacent electrode **102**.

Furthermore, the electrodes **102** may be formed from almost any shape whether simple (e.g., squares, circles, ovals, triangles, rectangles, polygons, and the like) or complex (e.g., random shapes). Further still, the shape of the electrodes **102** may have identical shapes or they may have different shapes. For example, one set of electrodes **102** may have a first shape while a second set of electrodes **102** may have a second shape that is different than the first shape. The shapes are generally chosen to maximize the sensing area and to minimize optical differences between the gaps and the transparent electrodes.

In addition, the size of the electrodes **102** may vary according to the specific needs of each device. In some cases, the size of the electrodes **102** corresponds to about the size of a finger tip. For example, the size of the electrodes **102** may be on the order of 4-5 mm<sup>2</sup>. In other cases, the size of the electrodes **102** are smaller than the size of the finger tip so as to improve resolution of the touch screen **100** (the finger can influence two or more electrodes at any one time thereby enabling interpolation). Like the shapes, the size of the electrodes **102** may be identical or they may be different. For example, one set of electrodes **102** may be larger than another set of electrodes **102**. Moreover, any number of electrodes **102** may be used. The number of electrodes **102** is typically determined by the size of the touch screen **100** as well as the size of each electrode **102**. In most cases, it would be desirable to increase the number of electrodes **102** so as to provide higher resolution, i.e., more information can be used for such things as acceleration.

Although the sense traces **106** can be routed a variety of ways, they are typically routed in manner that reduces the distance they have to travel between their electrode **102** and the sensor circuit **104**, and that reduces the size of the gaps **108** found between adjacent electrodes **102**. The width of the sense traces **106** are also widely varied. The widths are generally determined by the amount of charge being distributed there through, the number of adjacent traces **106**, and the size of the gap **108** through which they travel. It is generally desirable to maximize the widths of adjacent traces **106** in order to maximize the coverage inside the gaps **108** thereby creating a more uniform optical appearance.

In the illustrated embodiment, the electrodes **102** are positioned in a pixilated array. As shown, the electrodes **102** are positioned in rows **116** that extend to and from the sides of the touch screen **100**. Within each row **116**, the identical electrodes **102** are spaced apart and positioned laterally relative to one another (e.g., juxtaposed). Furthermore, the rows **116** are stacked on top of each other thereby forming the pixilated array. The sense traces **106** are routed in the gaps **108** formed between adjacent rows **106**. The sense traces **106** for each row are routed in two different directions. The sense traces **106** on one side of the row **116** are routed to a sensor IC **110** located on the left side and the sense traces **106** on the other side of the row **116** are routed to another sensor IC **110** located on the right side of the touch screen **100**. This is done to minimize the gap **108** formed between rows **116**. The gap **108** may for example be held to about 20 microns. As should be appreciated, the spaces between the traces can stack thereby creating a large gap between electrodes. If routed to one side, the size of the space would be substantially doubled thereby reducing the resolution of the touch screen. Moreover, the shape of the

12

electrode **102** is in the form of a parallelogram, and more particularly a parallelogram with sloping sides.

FIG. 7 is a partial top view of a transparent multi point touch screen **120**, in accordance with one embodiment of the present invention. In this embodiment, the touch screen **120** is similar to the touch screen **100** shown in FIG. 6, however, unlike the touch screen **100** of FIG. 6, the touch screen **120** shown in FIG. 7 includes electrodes **122** with different sizes. As shown, the electrodes **122** located in the center of the touch screen **120** are larger than the electrodes **122** located at the sides of the touch screen **120**. In fact, the height of the electrodes **122** gets correspondingly smaller when moving from the center to the edge of the touch screen **120**. This is done to make room for the sense traces **124** extending from the sides of the more centrally located electrodes **122**. This arrangement advantageously reduces the gap found between adjacent rows **126** of electrodes **122**. Although the height of each electrode **122** shrinks, the height **H** of the row **126** as well as the width **W** of each electrode **122** stays the same. In one configuration, the height of the row **126** is substantially equal to the width of each electrode **122**. For example, the height of the row **126** and the width of each electrode **122** may be about 4 mm to about 5 mm.

FIG. 8 is a front elevation view, in cross section of a display arrangement **130**, in accordance with one embodiment of the present invention. The display arrangement **130** includes an LCD display **132** and a touch screen **134** positioned over the LCD display **132**. The touch screen may for example correspond to the touch screen shown in FIG. 6 or 7. The LCD display **132** may correspond to any conventional LCD display known in the art. Although not shown, the LCD display **132** typically includes various layers including a fluorescent panel, polarizing filters, a layer of liquid crystal cells, a color filter and the like.

The touch screen **134** includes a transparent electrode layer **136** that is positioned over a glass member **138**. The glass member **138** may be a portion of the LCD display **132** or it may be a portion of the touch screen **134**. In either case, the glass member **138** is a relatively thick piece of clear glass that protects the display **132** from forces, which are exerted on the touch screen **134**. The thickness of the glass member **138** may for example be about 2 mm. In most cases, the electrode layer **136** is disposed on the glass member **138** using suitable transparent conductive materials and patterning techniques such as ITO and printing. Although not shown, in some cases, it may be necessary to coat the electrode layer **136** with a material of similar refractive index to improve the visual appearance of the touch screen. As should be appreciated, the gaps located between electrodes and traces do not have the same optical index as the electrodes and traces, and therefore a material may be needed to provide a more similar optical index. By way of example, index matching gels may be used.

The touch screen **134** also includes a protective cover sheet **140** disposed over the electrode layer **136**. The electrode layer **136** is therefore sandwiched between the glass member **138** and the protective cover sheet **140**. The protective sheet **140** serves to protect the under layers and provide a surface for allowing an object to slide thereon. The protective sheet **140** also provides an insulating layer between the object and the electrode layer **136**. The protective cover sheet **140** may be formed from any suitable clear material such as glass and plastic. The protective cover sheet **140** is suitably thin to allow for sufficient electrode coupling. By way of example, the thickness of the cover sheet **140** may be between about 0.3-0.8 mm. In addition, the protective cover sheet **140** may be treated with coatings to reduce stiction when touching and reduce glare when viewing the underlying LCD display **132**.

13

By way of example, a low stiction/anti reflective coating **142** may be applied over the cover sheet **140**. Although the electrode layer **136** is typically patterned on the glass member **138**, it should be noted that in some cases it may be alternatively or additionally patterned on the protective cover sheet **140**.

FIG. **9** is a top view of a transparent multipoint touch screen **150**, in accordance with another embodiment of the present invention. By way of example, the touch screen **150** may generally correspond to the touch screen of FIGS. **2** and **4**. Unlike the touch screen shown in FIGS. **6-8**, the touch screen of FIG. **9** utilizes the concept of mutual capacitance rather than self capacitance. As shown, the touch screen **150** includes a two layer grid of spatially separated lines or wires **152**. In most cases, the lines **152** on each layer are parallel one another. Furthermore, although in different planes, the lines **152** on the different layers are configured to intersect or cross in order to produce capacitive sensing nodes **154**, which each represent different coordinates in the plane of the touch screen **150**. The nodes **154** are configured to receive capacitive input from an object touching the touch screen **150** in the vicinity of the node **154**. When an object is proximate the node **154**, the object steals charge thereby affecting the capacitance at the node **154**.

To elaborate, the lines **152** on different layers serve two different functions. One set of lines **152A** drives a current therethrough while the second set of lines **152B** senses the capacitance coupling at each of the nodes **154**. In most cases, the top layer provides the driving lines **152A** while the bottom layer provides the sensing lines **152B**. The driving lines **152A** are connected to a voltage source (not shown) that separately drives the current through each of the driving lines **152A**. That is, the stimulus is only happening over one line while all the other lines are grounded. They may be driven similarly to a raster scan. The sensing lines **152B** are connected to a capacitive sensing circuit (not shown) that continuously senses all of the sensing lines **152B** (always sensing).

When driven, the charge on the driving line **152A** capacitively couples to the intersecting sensing lines **152B** through the nodes **154** and the capacitive sensing circuit senses all of the sensing lines **152B** in parallel. Thereafter, the next driving line **152A** is driven, and the charge on the next driving line **152A** capacitively couples to the intersecting sensing lines **152B** through the nodes **154** and the capacitive sensing circuit senses all of the sensing lines **152B** in parallel. This happens sequential until all the lines **152A** have been driven. Once all the lines **152A** have been driven, the sequence starts over (continuously repeats). In most cases, the lines **152A** are sequentially driven from one side to the opposite side.

The capacitive sensing circuit typically includes one or more sensor ICs that measure the capacitance in each of the sensing lines **152B** and that reports its findings to a host controller. The sensor ICs may for example convert the analog capacitive signals to digital data and thereafter transmit the digital data over a serial bus to a host controller. Any number of sensor ICs may be used. For example, a sensor IC may be used for all lines, or multiple sensor ICs may be used for a single or group of lines. In most cases, the sensor ICs **110** report tracking signals, which are a function of both the position of the node **154** and the intensity of the capacitance at the node **154**.

The lines **152** are generally disposed on one or more optical transmissive members **156** formed from a clear material such as glass or plastic. By way of example, the lines **152** may be placed on opposing sides of the same member **156** or they may be placed on different members **156**. The lines **152** may be placed on the member **156** using any suitable patterning

14

technique including for example, deposition, etching, printing and the like. Furthermore, the lines **152** can be made from any suitable transparent conductive material. By way of example, the lines may be formed from indium tin oxide (ITO). The driving lines **152A** are typically coupled to the voltage source through a flex circuit **158A**, and the sensing lines **152B** are typically coupled to the sensing circuit, and more particularly the sensor ICs through a flex circuit **158B**. The sensor ICs may be attached to a printed circuit board (PCB). Alternatively, the sensor ICs may be placed directly on the member **156** thereby eliminating the flex circuit **158B**.

The distribution of the lines **152** may be widely varied. For example, the lines **152** may be positioned almost anywhere in the plane of the touch screen **150**. The lines **152** may be positioned randomly or in a particular pattern about the touch screen **150**. With regards to the later, the position of the lines **152** may depend on the coordinate system used. For example, the lines **152** may be placed in rows and columns for Cartesian coordinates or concentrically and radially for polar coordinates. When using rows and columns, the rows and columns may be placed at various angles relative to one another. For example, they may be vertical, horizontal or diagonal.

Furthermore, the lines **152** may be formed from almost any shape whether rectilinear or curvilinear. The lines on each layer may be the same or different. For example, the lines may alternate between rectilinear and curvilinear. Further still, the shape of the opposing lines may have identical shapes or they may have different shapes. For example, the driving lines may have a first shape while the sensing lines may have a second shape that is different than the first shape. The geometry of the lines **152** (e.g., linewidths and spacing) may also be widely varied. The geometry of the lines within each layer may be identical or different, and further, the geometry of the lines for both layers may be identical or different. By way of example, the linewidths of the sensing lines **152B** to driving lines **152A** may have a ratio of about 2:1.

Moreover, any number of lines **152** may be used. It is generally believed that the number of lines is dependent on the desired resolution of the touch screen **150**. The number of lines within each layer may be identical or different. The number of lines is typically determined by the size of the touch screen as well as the desired pitch and linewidths of the lines **152**.

In the illustrated embodiment, the driving lines **152A** are positioned in rows and the sensing lines **152B** are positioned in columns that are perpendicular to the rows. The rows extend horizontally to the sides of the touch screen **150** and the columns extend vertically to the top and bottom of the touch screen **150**. Furthermore, the linewidths for the set of lines **152A** and **152B** are different and the pitch for set of lines **152A** and **152B** are equal to one another. In most cases, the linewidths of the sensing lines **152B** are larger than the linewidths of the driving lines **152A**. By way of example, the pitch of the driving and sensing lines **152** may be about 5 mm, the linewidths of the driving lines **152A** may be about 1.05 mm and the linewidths of the sensing lines **152B** may be about 2.10 mm. Moreover, the number of lines **152** in each layer is different. For example, there may be about 38 driving lines and about 50 sensing lines.

As mentioned above, the lines in order to form semi-transparent conductors on glass, film or plastic, may be patterned with an ITO material. This is generally accomplished by depositing an ITO layer over the substrate surface, and then by etching away portions of the ITO layer in order to form the lines. As should be appreciated, the areas with ITO tend to have lower transparency than the areas without ITO. This is generally less desirable for the user as the user can distinguish

the lines from the spaces therebetween, i.e., the patterned ITO can become quite visible thereby producing a touch screen with undesirable optical properties. To further exacerbate this problem, the ITO material is typically applied in a manner that produces a relatively low resistance, and unfortunately low resistance ITO tends to be less transparent than high resistance ITO.

In order to prevent the aforementioned problem, the dead areas between the ITO may be filled with indexing matching materials. In another embodiment, rather than simply etching away all of the ITO, the dead areas (the uncovered spaces) may be subdivided into unconnected electrically floating ITO pads, i.e., the dead areas may be patterned with spatially separated pads. The pads are typically separated with a minimum trace width. Furthermore, the pads are typically made small to reduce their impact on the capacitive measurements. This technique attempts to minimize the appearance of the ITO by creating a uniform optical retarder. That is, by seeking to create a uniform sheet of ITO, it is believed that the panel will function closer to a uniform optical retarder and therefore non-uniformities in the visual appearance will be minimized. In yet another embodiment, a combination of index matching materials and unconnected floating pads may be used.

FIG. 10 is a partial front elevation view, in cross section of a display arrangement 170, in accordance with one embodiment of the present invention. The display arrangement 170 includes an LCD display 172 and a touch screen 174 positioned over the LCD display 170. The touch screen may for example correspond to the touch screen shown in FIG. 9. The LCD display 172 may correspond to any conventional LCD display known in the art. Although not shown, the LCD display 172 typically includes various layers including a fluorescent panel, polarizing filters, a layer of liquid crystal cells, a color filter and the like.

The touch screen 174 includes a transparent sensing layer 176 that is positioned over a first glass member 178. The sensing layer 176 includes a plurality of sensor lines 177 positioned in columns (extend in and out of the page). The first glass member 178 may be a portion of the LCD display 172 or it may be a portion of the touch screen 174. For example, it may be the front glass of the LCD display 172 or it may be the bottom glass of the touch screen 174. The sensor layer 176 is typically disposed on the glass member 178 using suitable transparent conductive materials and patterning techniques. In some cases, it may be necessary to coat the sensor layer 176 with material of similar refractive index to improve the visual appearance, i.e., make more uniform.

The touch screen 174 also includes a transparent driving layer 180 that is positioned over a second glass member 182. The second glass member 182 is positioned over the first glass member 178. The sensing layer 176 is therefore sandwiched between the first and second glass members 178 and 182. The second glass member 182 provides an insulating layer between the driving and sensing layers 176 and 180. The driving layer 180 includes a plurality of driving lines 181 positioned in rows (extend to the right and left of the page). The driving lines 181 are configured to intersect or cross the sensing lines 177 positioned in columns in order to form a plurality of capacitive coupling nodes 182. Like the sensing layer 176, the driving layer 180 is disposed on the glass member using suitable materials and patterning techniques. Furthermore, in some cases, it may be necessary to coat the driving layer 180 with material of similar refractive index to improve the visual appearance. Although the sensing layer is typically patterned on the first glass member, it should be noted that in some cases it may be alternatively or additionally patterned on the second glass member.

The touch screen 174 also includes a protective cover sheet 190 disposed over the driving layer 180. The driving layer 180 is therefore sandwiched between the second glass member 182 and the protective cover sheet 190. The protective cover sheet 190 serves to protect the under layers and provide a surface for allowing an object to slide thereon. The protective cover sheet 190 also provides an insulating layer between the object and the driving layer 180. The protective cover sheet is suitably thin to allow for sufficient coupling. The protective cover sheet 190 may be formed from any suitable clear material such as glass and plastic. In addition, the protective cover sheet 190 may be treated with coatings to reduce stiction when touching and reduce glare when viewing the underlying LCD display 172. By way of example, a low stiction/anti reflective coating may be applied over the cover sheet 190. Although the line layer is typically patterned on a glass member, it should be noted that in some cases it may be alternatively or additionally patterned on the protective cover sheet.

The touch screen 174 also includes various bonding layers 192. The bonding layers 192 bond the glass members 178 and 182 as well as the protective cover sheet 190 together to form the laminated structure and to provide rigidity and stiffness to the laminated structure. In essence, the bonding layers 192 help to produce a monolithic sheet that is stronger than each of the individual layers taken alone. In most cases, the first and second glass members 178 and 182 as well as the second glass member and the protective sheet 182 and 190 are laminated together using a bonding agent such as glue. The compliant nature of the glue may be used to absorb geometric variations so as to form a singular composite structure with an overall geometry that is desirable. In some cases, the bonding agent includes an index matching material to improve the visual appearance of the touch screen 170.

With regards to configuration, each of the various layers may be formed with various sizes, shapes, and the like. For example, each of the layers may have the same thickness or a different thickness than the other layers in the structure. In the illustrated embodiment, the first glass member 178 has a thickness of about 1.1 mm, the second glass member 182 has a thickness of about 0.4 mm and the protective sheet has a thickness of about 0.55 mm. The thickness of the bonding layers 192 typically varies in order to produce a laminated structure with a desired height. Furthermore, each of the layers may be formed with various materials. By way of example, each particular type of layer may be formed from the same or different material. For example, any suitable glass or plastic material may be used for the glass members. In a similar manner, any suitable bonding agent may be used for the bonding layers 192.

FIGS. 11A and 11B are partial top view diagrams of a driving layer 200 and a sensing layer 202, in accordance with one embodiment. In this embodiment, each of the layers 200 and 202 includes dummy features 204 disposed between the driving lines 206 and the sensing lines 208. The dummy features 204 are configured to optically improve the visual appearance of the touch screen by more closely matching the optical index of the lines. While index matching materials may improve the visual appearance, it has been found that there still may exist some non-uniformities. The dummy features 204 provide the touch screen with a more uniform appearance. The dummy features 204 are electrically isolated and positioned in the gaps between each of the lines 206 and 208. Although they may be patterned separately, the dummy features 204 are typically patterned along with the lines 206 and 208. Furthermore, although they may be formed from different materials, the dummy features 204 are typically formed with the same transparent conductive material as the

lines as for example ITO to provide the best possible index matching. As should be appreciated, the dummy features will more than likely still produce some gaps, but these gaps are much smaller than the gaps found between the lines (many orders of magnitude smaller). These gaps, therefore have minimal impact on the visual appearance. While this may be the case, index matching materials may be additionally applied to the gaps between the dummy features to further improve the visual appearance of the touch screen. The distribution, size, number, dimension, and shape of the dummy features may be widely varied.

FIG. 12 is a simplified diagram of a mutual capacitance circuit 220, in accordance with one embodiment of the present invention. The mutual capacitance circuit 220 includes a driving line 222 and a sensing line 224 that are spatially separated thereby forming a capacitive coupling node 226. The driving line 222 is electrically coupled to a voltage source 228, and the sensing line 224 is electrically coupled to a capacitive sensing circuit 230. The driving line 222 is configured to carry a current to the capacitive coupling node 226, and the sensing line 224 is configured to carry a current to the capacitive sensing circuit 230. When no object is present, the capacitive coupling at the node 226 stays fairly constant. When an object 232 such as a finger is placed proximate the node 226, the capacitive coupling changes through the node 226 changes. The object 232 effectively shunts some of the field away so that the charge projected across the node 226 is less. The change in capacitive coupling changes the current that is carried by the sensing lines 224. The capacitive sensing circuit 230 notes the current change and the position of the node 226 where the current change occurred and reports this information in a raw or in some processed form to a host controller. The capacitive sensing circuit does this for each node 226 at about the same time (as viewed by a user) so as to provide multipoint sensing.

The sensing line 224 may contain a filter 236 for eliminating parasitic capacitance 237, which may for example be created by the large surface area of the row and column lines relative to the other lines and the system enclosure at ground potential. Generally speaking, the filter rejects stray capacitance effects so that a clean representation of the charge transferred across the node 226 is outputted (and not anything in addition to that). That is, the filter 236 produces an output that is not dependent on the parasitic capacitance, but rather on the capacitance at the node 226. As a result, a more accurate output is produced.

FIG. 13 is a diagram of an inverting amplifier 240, in accordance with one embodiment of the present invention. The inverting amplifier 240 may generally correspond to the filter 236 shown in FIG. 12. As shown, the inverting amplifier includes a non inverting input that is held at a constant voltage (in this case ground), an inverting input that is coupled to the node and an output that is coupled to the capacitive sensing circuit 230. The output is coupled back to the inverting input through a capacitor. During operation, the input from the node may be disturbed by stray capacitance effects, i.e., parasitic capacitance. If so, the inverting amplifier is configured to drive the input back to the same voltage that it had been previously before the stimulus. As such, the value of the parasitic capacitance doesn't matter.

FIG. 14 is a block diagram of a capacitive sensing circuit 260, in accordance with one embodiment of the present invention. The capacitive sensing circuit 260 may for example correspond to the capacitive sensing circuits described in the previous figures. The capacitive sensing circuit 260 is configured to receive input data from a plurality of

sensing points 262 (electrode, nodes, etc.), to process the data and to output processed data to a host controller.

The sensing circuit 260 includes a multiplexer 264 (MUX). The multiplexer 264 is a switch configured to perform time multiplexing. As shown, the MUX 264 includes a plurality of independent input channels 266 for receiving signals from each of the sensing points 262 at the same time. The MUX 264 stores all of the incoming signals at the same time, but sequentially releases them one at a time through an output channel 268.

The sensing circuit 260 also includes an analog to digital converter 270 (ADC) operatively coupled to the MUX 264 through the output channel 268. The ADC 270 is configured to digitize the incoming analog signals sequentially one at a time. That is, the ADC 270 converts each of the incoming analog signals into outgoing digital signals. The input to the ADC 270 generally corresponds to a voltage having a theoretically infinite number of values. The voltage varies according to the amount of capacitive coupling at each of the sensing points 262. The output to the ADC 270, on the other hand, has a defined number of states. The states generally have predictable exact voltages or currents.

The sensing circuit 260 also includes a digital signal processor 272 (DSP) operatively coupled to the ADC 270 through another channel 274. The DSP 272 is a programmable computer processing unit that works to clarify or standardize the digital signals via high speed mathematical processing. The DSP 274 is capable of differentiating between human made signals, which have order, and noise, which is inherently chaotic. In most cases, the DSP performs filtering and conversion algorithms using the raw data. By way of example, the DSP may filter noise events from the raw data, calculate the touch boundaries for each touch that occurs on the touch screen at the same time, and thereafter determine the coordinates for each touch event. The coordinates of the touch events may then be reported to a host controller where they can be compared to previous coordinates of the touch events to determine what action to perform in the host device.

FIG. 15 is a flow diagram 280, in accordance with one embodiment of the present invention. The method generally begins at block 282 where a plurality of sensing points are driven. For example, a voltage is applied to the electrodes in self capacitance touch screens or through driving lines in mutual capacitance touch screens. In the later, each driving line is driven separately. That is, the driving lines are driven one at a time thereby building up charge on all the intersecting sensing lines. Following block 282, the process flow proceeds to block 284 where the outputs (voltage) from all the sensing points are read. This block may include multiplexing and digitizing the outputs. For example, in mutual capacitance touch screens, all the sensing points on one row are multiplexed and digitized and this is repeated until all the rows have been sampled. Following block 284, the process flow proceeds to block 286 where an image or other form of data (signal or signals) of the touch screen plane at one moment in time can be produced and thereafter analyzed to determine where the objects are touching the touch screen. By way of example, the boundaries for each unique touch can be calculated, and thereafter the coordinates thereof can be found. Following block 286, the process flow proceeds to block 288 where the current image or signal is compared to a past image or signal in order to determine a change in pressure, location, direction, speed and acceleration for each object on the plane of the touch screen. This information can be subsequently used to perform an action as for example moving a pointer or cursor or making a selection as indicated in block 290.

FIG. 16 is a flow diagram of a digital signal processing method 300, in accordance with one embodiment of the present invention. By way of example, the method may generally correspond to block 286 shown and described in FIG. 15. The method 300 generally begins at block 302 where the raw data is received. The raw data is typically in a digitized form, and includes values for each node of the touch screen. The values may be between 0 and 256 where 0 equates to the highest capacitive coupling (no touch pressure) and 256 equates to the least capacitive coupling (full touch pressure). An example of raw data at one point in time is shown in FIG. 17A. As shown in FIG. 17A, the values for each point are provided in gray scale where points with the least capacitive coupling are shown in white and the points with the highest capacitive coupling are shown in black and the points found between the least and the highest capacitive coupling are shown in gray.

Following block 302, the process flow proceeds to block 304 where the raw data is filtered. As should be appreciated, the raw data typically includes some noise. The filtering process is configured to reduce the noise. By way of example, a noise algorithm may be run that removes points that aren't connected to other points. Single or unconnected points generally indicate noise while multiple connected points generally indicate one or more touch regions, which are regions of the touch screen that are touched by objects. An example of a filtered data is shown in FIG. 17B. As shown, the single scattered points have been removed thereby leaving several concentrated areas.

Following block 304, the process flow proceeds to block 306 where gradient data is generated. The gradient data indicates the topology of each group of connected points. The topology is typically based on the capacitive values for each point. Points with the lowest values are steep while points with the highest values are shallow. As should be appreciated, steep points indicate touch points that occurred with greater pressure while shallow points indicate touch points that occurred with lower pressure. An example of gradient data is shown in FIG. 17C.

Following block 306, the process flow proceeds to block 308 where the boundaries for touch regions are calculated based on the gradient data. In general, a determination is made as to which points are grouped together to form each touch region. An example of the touch regions is shown in FIG. 17D.

In one embodiment, the boundaries are determined using a watershed algorithm. Generally speaking, the algorithm performs image segmentation, which is the partitioning of an image into distinct regions as for example the touch regions of multiple objects in contact with the touchscreen. The concept of watershed initially comes from the area of geography and more particularly topography where a drop of water falling on a relief follows a descending path and eventually reaches a minimum, and where the watersheds are the divide lines of the domains of attracting drops of water. Herein, the watershed lines represent the location of pixels, which best separate different objects touching the touch screen. Watershed algorithms can be widely varied. In one particular implementation, the watershed algorithm includes forming paths from low points to a peak (based on the magnitude of each point), classifying the peak as an ID label for a particular touch region, associating each point (pixel) on the path with the peak. These steps are performed over the entire image map thus carving out the touch regions associated with each object in contact with the touchscreen.

Following block 308, the process flow proceeds to block 310 where the coordinates for each of the touch regions are

calculated. This may be accomplished by performing a centroid calculation with the raw data associated with each touch region. For example, once the touch regions are determined, the raw data associated therewith may be used to calculate the centroid of the touch region. The centroid may indicate the central coordinate of the touch region. By way of example, the X and Y centroids may be found using the following equations:

$$X_c = \sum Z * x / \sum Z; \text{ and}$$

$$Y_c = \sum Z * y / \sum Z,$$

where

X<sub>c</sub> represents the x centroid of the touch region

Y<sub>c</sub> represents the y centroid of the touch region

x represents the x coordinate of each pixel or point in the touch region

y represents the y coordinate of each pixel or point in the touch region

Z represents the magnitude (capacitance value) at each pixel or point

An example of a centroid calculation for the touch regions is shown in FIG. 17E. As shown, each touch region represents a distinct x and y coordinate. These coordinates may be used to perform multipoint tracking as indicated in block 312. For example, the coordinates for each of the touch regions may be compared with previous coordinates of the touch regions to determine positioning changes of the objects touching the touch screen or whether or not touching objects have been added or subtracted or whether a particular object is being tapped.

FIGS. 18 and 19 are side elevation views of an electronic device 350, in accordance with multiple embodiments of the present invention. The electronic device 350 includes an LCD display 352 and a transparent touch screen 354 positioned over the LCD display 352. The touch screen 354 includes a protective sheet 356, one or more sensing layers 358, and a bottom glass member 360. In this embodiment, the bottom glass member 360 is the front glass of the LCD display 352. Further, the sensing layers 358 may be configured for either self or mutual capacitance as described above. The sensing layers 358 generally include a plurality of interconnects at the edge of the touch screen for coupling the sensing layer 358 to a sensing circuit (not shown). By way of example, the sensing layer 358 may be electrically coupled to the sensing circuit through one or more flex circuits 362, which are attached to the sides of the touch screen 354.

As shown, the LCD display 352 and touch screen 354 are disposed within a housing 364. The housing 364 serves to cover and support these components in their assembled position within the electronic device 350. The housing 364 provides a space for placing the LCD display 352 and touch screen 354 as well as an opening 366 so that the display screen can be seen through the housing 364. In one embodiment, as shown in FIG. 18, the housing 364 includes a facade 370 for covering the sides the LCD display 352 and touch screen 354. Although not shown in great detail, the facade 370 is positioned around the entire perimeter of the LCD display 352 and touch screen 354. The facade 370 serves to hide the interconnects leaving only the active area of the LCD display 352 and touch screen 354 in view.

In another embodiment, as shown in FIG. 19, the housing 364 does not include a facade 370, but rather a mask 372 that is printed on interior portion of the top glass 374 of the touch screen 354 that extends between the sides of the housing 364. This particular arrangement makes the mask 372 look submerged in the top glass 356. The mask 372 serves the same

function as the facade 370, but is a more elegant solution. In one implementation, the mask 372 is formed from high temperature black polymer. In the illustrated embodiment of FIG. 19, the touch screen 354 is based on mutual capacitance sensing and thus the sensing layer 358 includes driving lines 376 and sensing lines 378. The driving lines 376 are disposed on the top glass 356 and the mask 372, and the sensing lines 378 are disposed on the bottom glass 360. The driving lines and sensing lines 376 and 378 are insulated from one another via a spacer 380. The spacer 380 may for example be a clear piece of plastic with optical matching materials retained therein or applied thereto.

In one embodiment and referring to both FIGS. 18 and 19, the electronic device 350 corresponds to a tablet computer. In this embodiment, the housing 364 also encloses various integrated circuit chips and other circuitry 382 that provide computing operations for the tablet computer. By way of example, the integrated circuit chips and other circuitry may include a microprocessor, motherboard, Read-Only Memory (ROM), Random-Access Memory (RAM), a hard drive, a disk drive, a battery, and various input/output support devices.

While this invention has been described in terms of several preferred embodiments, there are alterations, permutations, and equivalents, which fall within the scope of this invention. For example, although the touch screen was primarily directed at capacitive sensing, it should be noted that some or all of the features described herein may be applied to other sensing methodologies. It should also be noted that there are many alternative ways of implementing the methods and apparatuses of the present invention. It is therefore intended that the following appended claims be interpreted as including all such alterations, permutations, and equivalents as fall within the true spirit and scope of the present invention.

What is claimed is:

1. A touch panel comprising a transparent capacitive sensing medium configured to detect multiple touches or near touches that occur at a same time and at distinct locations in a plane of the touch panel and to produce distinct signals representative of a location of the touches on the plane of the touch panel for each of the multiple touches, wherein the transparent capacitive sensing medium comprises:

a first layer having a plurality of transparent first conductive lines that are electrically isolated from one another; and

a second layer spatially separated from the first layer and having a plurality of transparent second conductive lines that are electrically isolated from one another, the second conductive lines being positioned transverse to the first conductive lines, the intersection of transverse lines being positioned at different locations in the plane of the touch panel, each of the second conductive lines being operatively coupled to capacitive monitoring circuitry; wherein the capacitive monitoring circuitry is configured to detect changes in charge coupling between the first conductive lines and the second conductive lines.

2. The touch panel as recited in claim 1 wherein the conductive lines on each of the layers are substantially parallel to one another.

3. The touch panel as recited in claim 2 wherein the conductive lines on different layers are substantially perpendicular to one another.

4. The touch panel as recited in claim 1 wherein the transparent first conductive lines of the first layer are disposed on a first glass member, and wherein the transparent second conductive lines of the second layer are disposed on a second glass member, the first glass member being disposed over the second glass member.

5. The touch panel as recited in claim 4 further including a third glass member disposed over the first glass member, the first and second glass members being attached to one another via an adhesive layer, the third glass member being attached to the first glass member via another adhesive layer.

6. The touch panel as recited in claim 1 wherein the conductive lines are formed from indium tin oxide (ITO).

7. The touch panel as recited in claim 1, wherein the capacitive sensing medium is a mutual capacitance sensing medium.

8. The touch panel as recited in claim 7, further comprising a virtual ground charge amplifier coupled to the touch panel for detecting the touches on the touch panel.

9. The touch panel as recited in claim 1, the transparent capacitive sensing medium formed on both sides of a single substrate.

10. A display arrangement comprising:

a display having a screen for displaying a graphical user interface; and

a transparent touch panel allowing the screen to be viewed therethrough and capable of recognizing multiple touch events that occur at different locations on the touch panel at a same time and to output this information to a host device to form a pixilated image;

wherein the touch panel includes a multipoint sensing arrangement configured to simultaneously detect and monitor the touch events and a change in capacitive coupling associated with those touch events at distinct points across the touch panel; and

wherein the touch panel comprises:

a first glass member disposed over the screen of the display;

a first transparent conductive layer disposed over the first glass member, the first transparent conductive layer comprising a plurality of spaced apart parallel lines having the same pitch and linewidths;

a second glass member disposed over the first transparent conductive layer;

a second transparent conductive layer disposed over the second glass member, the second transparent conductive layer comprising a plurality of spaced apart parallel lines having the same pitch and linewidths, the parallel lines of the second transparent conductive layer being substantially perpendicular to the parallel lines of the first transparent conductive layer;

a third glass member disposed over the second transparent conductive layer; and

one or more sensor integrated circuits operatively coupled to the lines.

11. The display arrangement as recited in claim 10 further including dummy features disposed in the space between the parallel lines, the dummy features optically improving the visual appearance of the touch screen by more closely matching the optical index of the lines.