

EXHIBIT 40



US00D642563S

(12) **United States Design Patent** (10) **Patent No.:** **US D642,563 S**
Akana et al. (45) **Date of Patent:** **** Aug. 2, 2011**

(54) **ELECTRONIC DEVICE**

(75) Inventors: **Jody Akana**, San Francisco, CA (US); **Bartley K. Andre**, Menlo Park, CA (US); **Jeremy Bataillou**, San Francisco, CA (US); **Daniel J. Coster**, San Francisco, CA (US); **Daniele De Iuliis**, San Francisco, CA (US); **Evans Hankey**, San Francisco, CA (US); **Richard P. Howarth**, San Francisco, CA (US); **Jonathan P. Ive**, San Francisco, CA (US); **Steve Jobs**, Palo Alto, CA (US); **Duncan Robert Kerr**, San Francisco, CA (US); **Shin Nishibori**, Portola Valley, CA (US); **Matthew Dean Rohrbach**, San Francisco, CA (US); **Peter Russell-Clarke**, San Francisco, CA (US); **Christopher J. Stringer**, Woodside, CA (US); **Eugene Antony Whang**, San Francisco, CA (US); **Rico Zorkendorfer**, San Francisco, CA (US)

(73) Assignee: **Apple Inc.**, Cupertino, CA (US)

(**) Term: **14 Years**

(21) Appl. No.: **29/367,997**

(22) Filed: **Aug. 16, 2010**

(51) **LOC (9) Cl.** **14-02**

(52) **U.S. Cl.** **D14/341**

(58) **Field of Classification Search** D14/341-347, D14/137, 138, 138.1, 138 AA, 138 R, 138 AB, D14/138 AC, 138 AD, 138 C, 138 G, 496, D14/203.1, 203.3, 203.4, 203.5, 203.6, 203.7, D14/426, 427, 428, 432, 429, 129, 130, 420, D14/439-441, 448, 125, 147, 156, 218, 247-248, D14/250, 389, 336; D10/65, 104; D18/6-7; D21/29, 686, 33, 324, 329, 330; D6/596, D6/601, 605; D19/60; 345/169, 901, 905; 348/169; 361/814; 341/122; 346/173; 379/433.04, 379/433.07, 433.11, 433.12, 433.13, 910, 379/916, 433.01, 433.06

See application file for complete search history.

(56) **References Cited**

U.S. PATENT DOCUMENTS

D337,569 S * 7/1993 Kando D14/341
D504,889 S 5/2005 Andre et al.
D558,757 S * 1/2008 Andre et al. D14/341
D561,782 S * 2/2008 Kim D14/496

(Continued)

OTHER PUBLICATIONS

U.S. Appl. No. 29/384,861, Andre et al., "Electronic Device", filed Feb. 4, 2011.

Primary Examiner — Cathron Brooks

Assistant Examiner — Barbara Fox

(74) *Attorney, Agent, or Firm* — Sterne, Kessler, Goldstein & Fox PLLC

(57) **CLAIM**

The ornamental design for an electronic device, as shown and described.

DESCRIPTION

FIG. 1 is a front bottom perspective view of an electronic device showing our new design;

FIG. 2 is a rear bottom perspective view thereof;

FIG. 3 is a rear top perspective view thereof;

FIG. 4 is a front top perspective view thereof;

FIG. 5 is a front view thereof;

FIG. 6 is a rear view thereof;

FIG. 7 is a side view thereof;

FIG. 8 is another side view thereof;

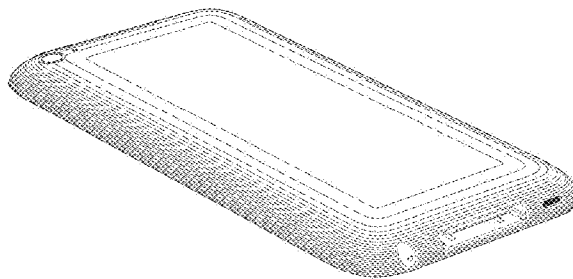
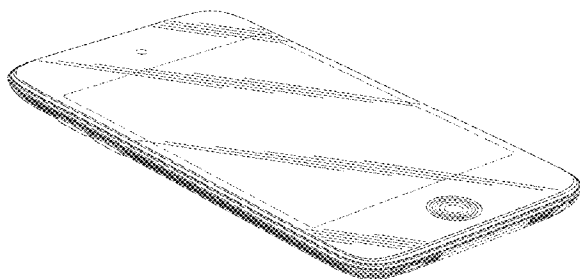
FIG. 9 is a top view thereof;

FIG. 10 is bottom view thereof; and,

FIG. 11 is an enlarged view of a portion of the electronic device taken in FIG. 10.

The broken lines shown in the Figures show unclaimed portions of the electronic device and form no part of the claimed design.

1 Claim, 8 Drawing Sheets



US D642,563 S

Page 2

U.S. PATENT DOCUMENTS

D565,596 S *	4/2008	Kim	D14/496	D604,297 S *	11/2009	Andre et al.	D14/341
D580,387 S *	11/2008	Andre et al.	D14/138 G	D613,735 S *	4/2010	Andre et al.	D14/341
D583,346 S	12/2008	Jung et al.			D613,736 S	4/2010	Andre et al.		
D584,738 S *	1/2009	Kim et al.	D14/496	D615,083 S *	5/2010	Andre et al.	D14/341
D586,800 S *	2/2009	Andre et al.	D14/341	D618,204 S	6/2010	Andre et al.		
D593,087 S *	5/2009	Andre et al.	D14/341	D622,720 S	8/2010	Andre et al.		
D599,342 S *	9/2009	Andre et al.	D14/341	D624,536 S	9/2010	Andre et al.		
D600,241 S *	9/2009	Andre et al.	D14/341	D626,937 S	11/2010	Yeo et al.		
D601,558 S *	10/2009	Andre et al.	D14/341	D630,630 S	1/2011	Andre et al.		
D602,014 S *	10/2009	Andre et al.	D14/341	D633,091 S	2/2011	Andre et al.		
D602,015 S *	10/2009	Andre et al.	D14/341	D634,742 S	3/2011	Andre et al.		
D602,016 S *	10/2009	Andre et al.	D14/341	2008/0316121 A1 *	12/2008	Hobson et al.	343/702
D602,017 S *	10/2009	Andre et al.	D14/341	2009/0067141 A1 *	3/2009	Dabov et al.	361/753
D602,486 S *	10/2009	Andre et al.	D14/341	2009/0245564 A1 *	10/2009	Mittleman et al.	381/361
D602,488 S *	10/2009	Jiang et al.	D14/341					

* cited by examiner

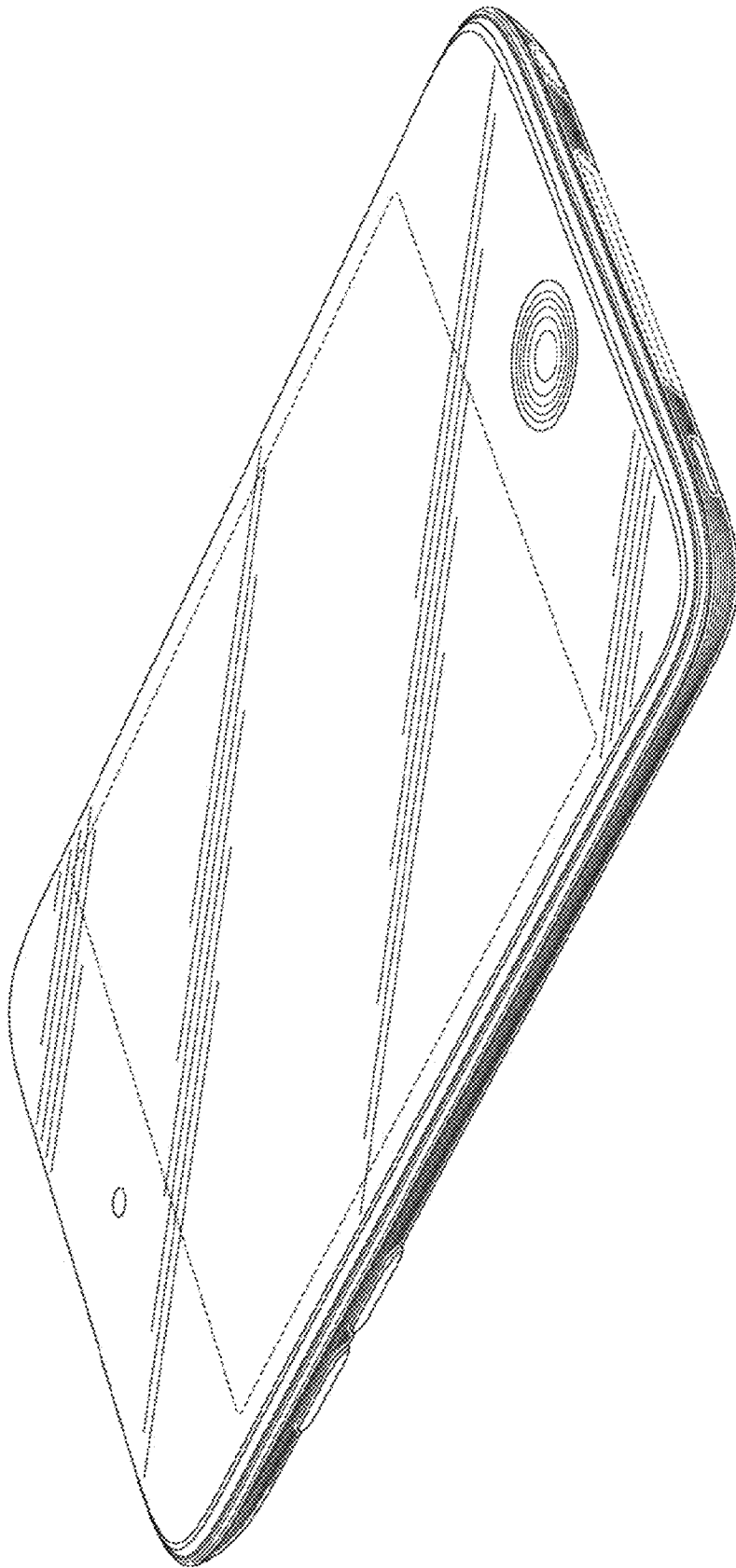


FIG. 1

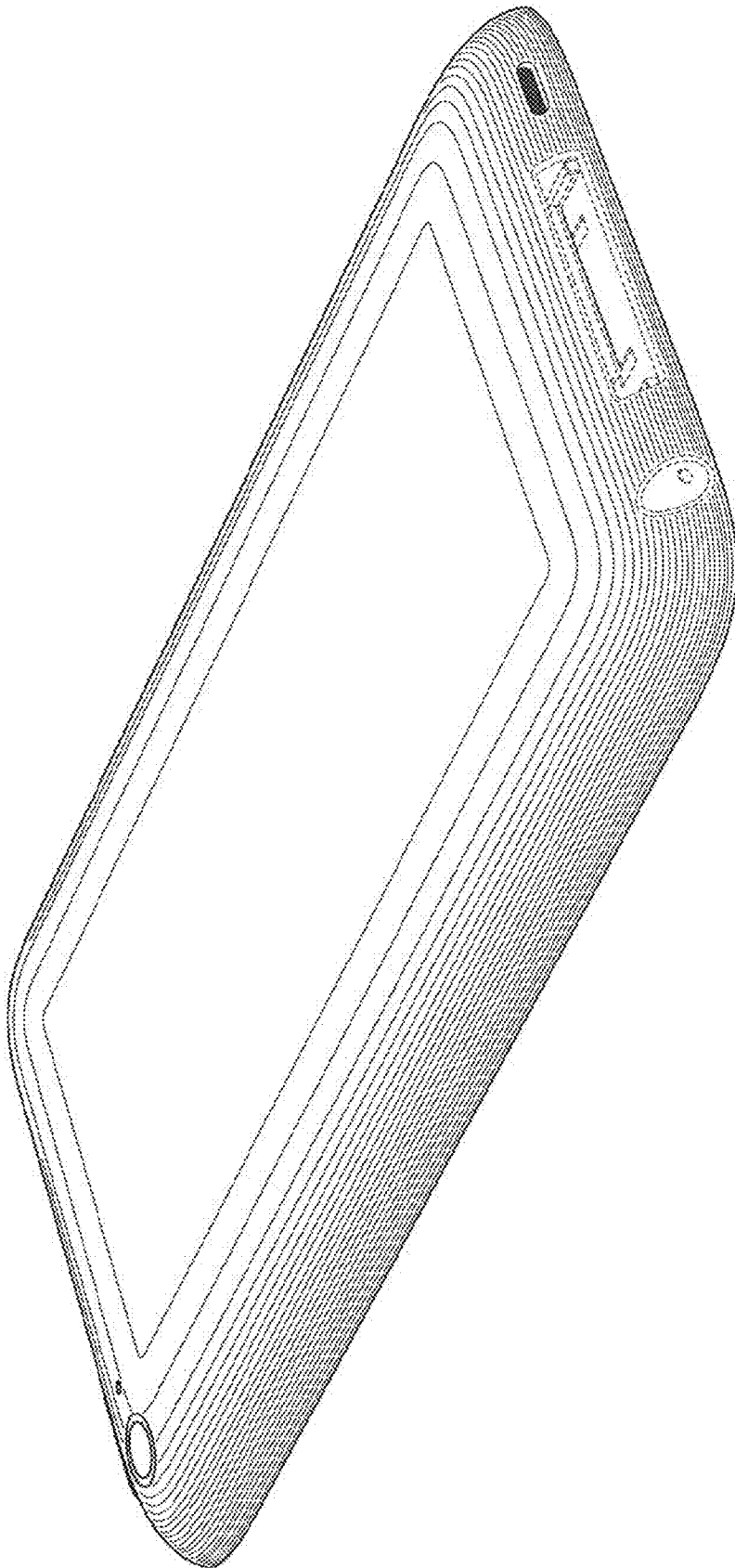


FIG. 2

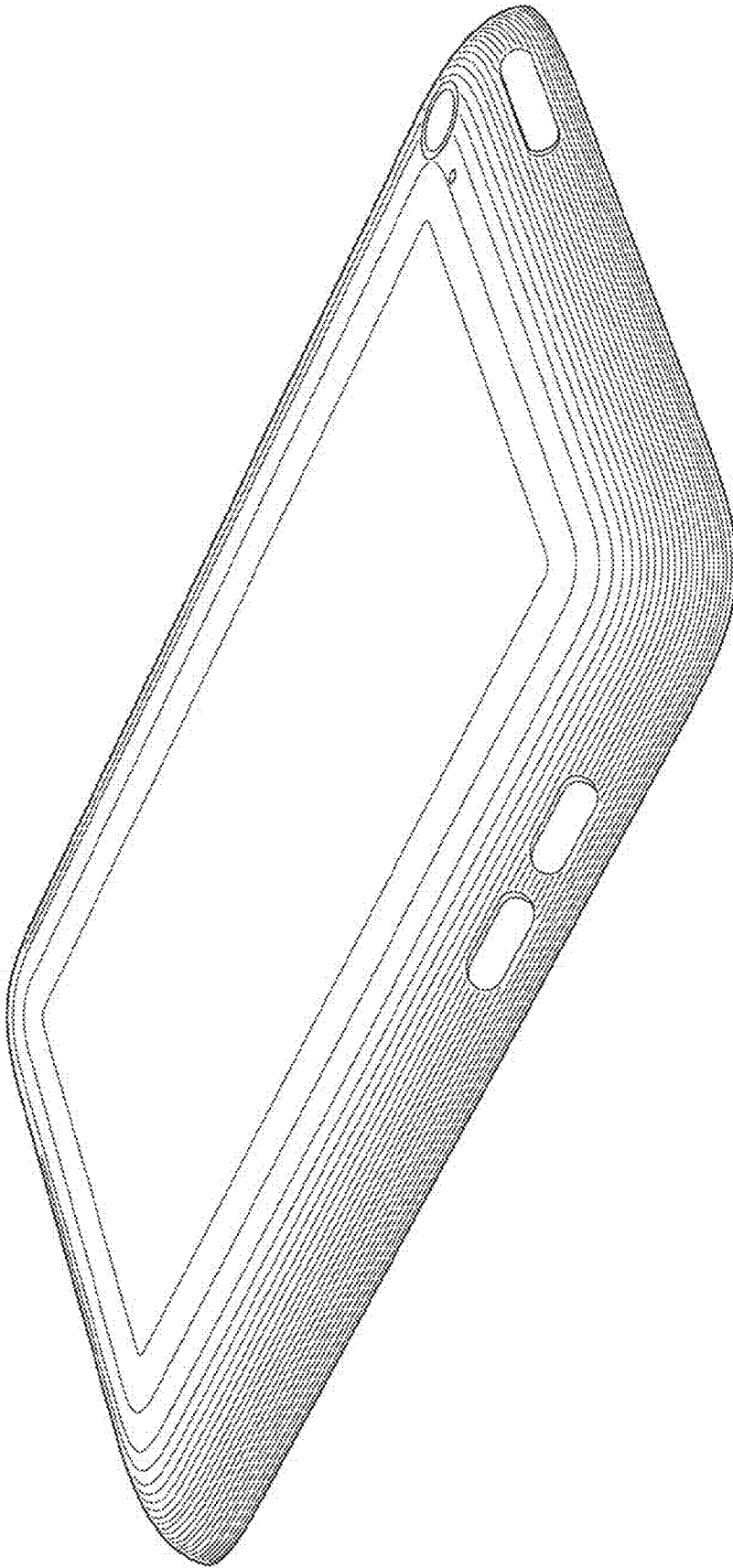


FIG. 3

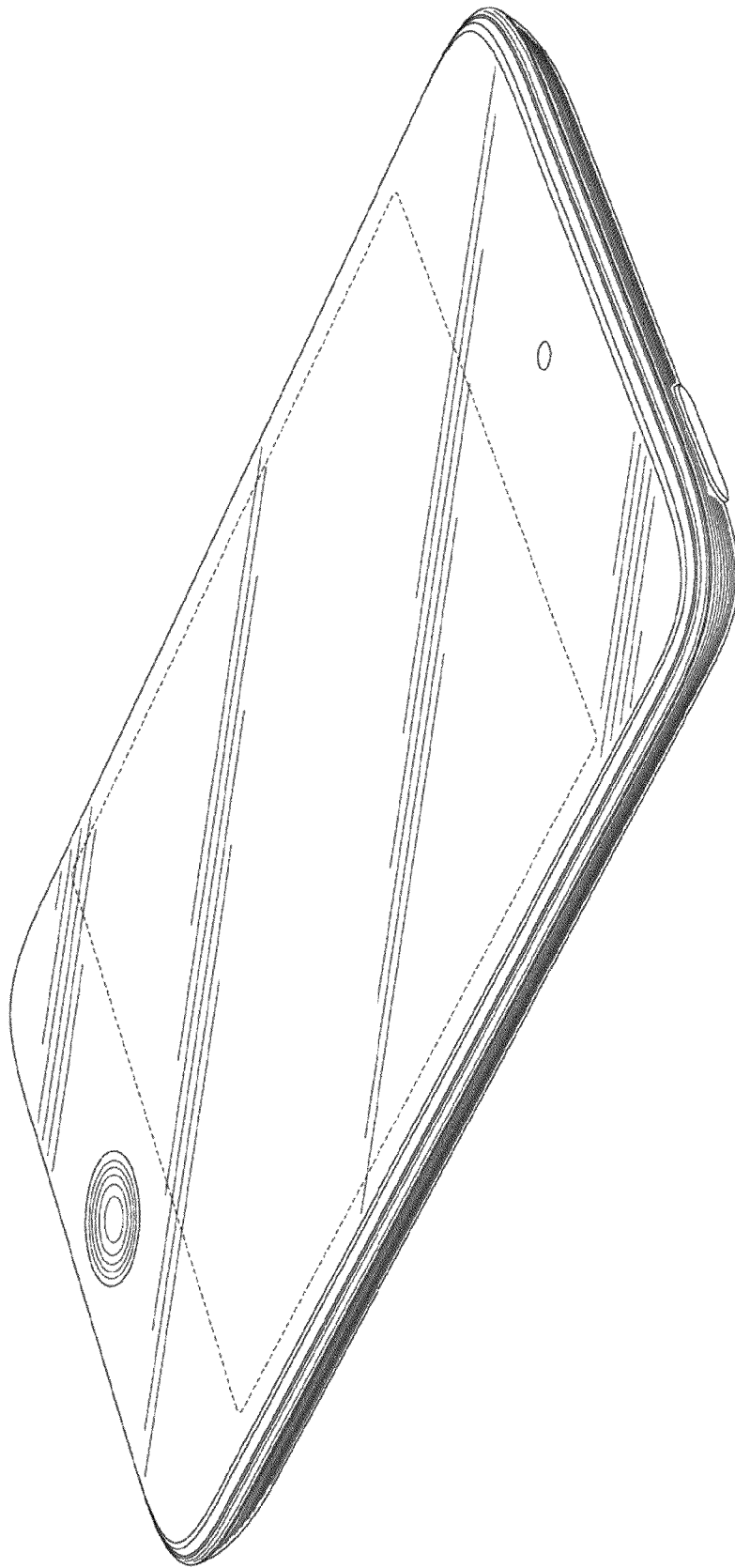


FIG. 4

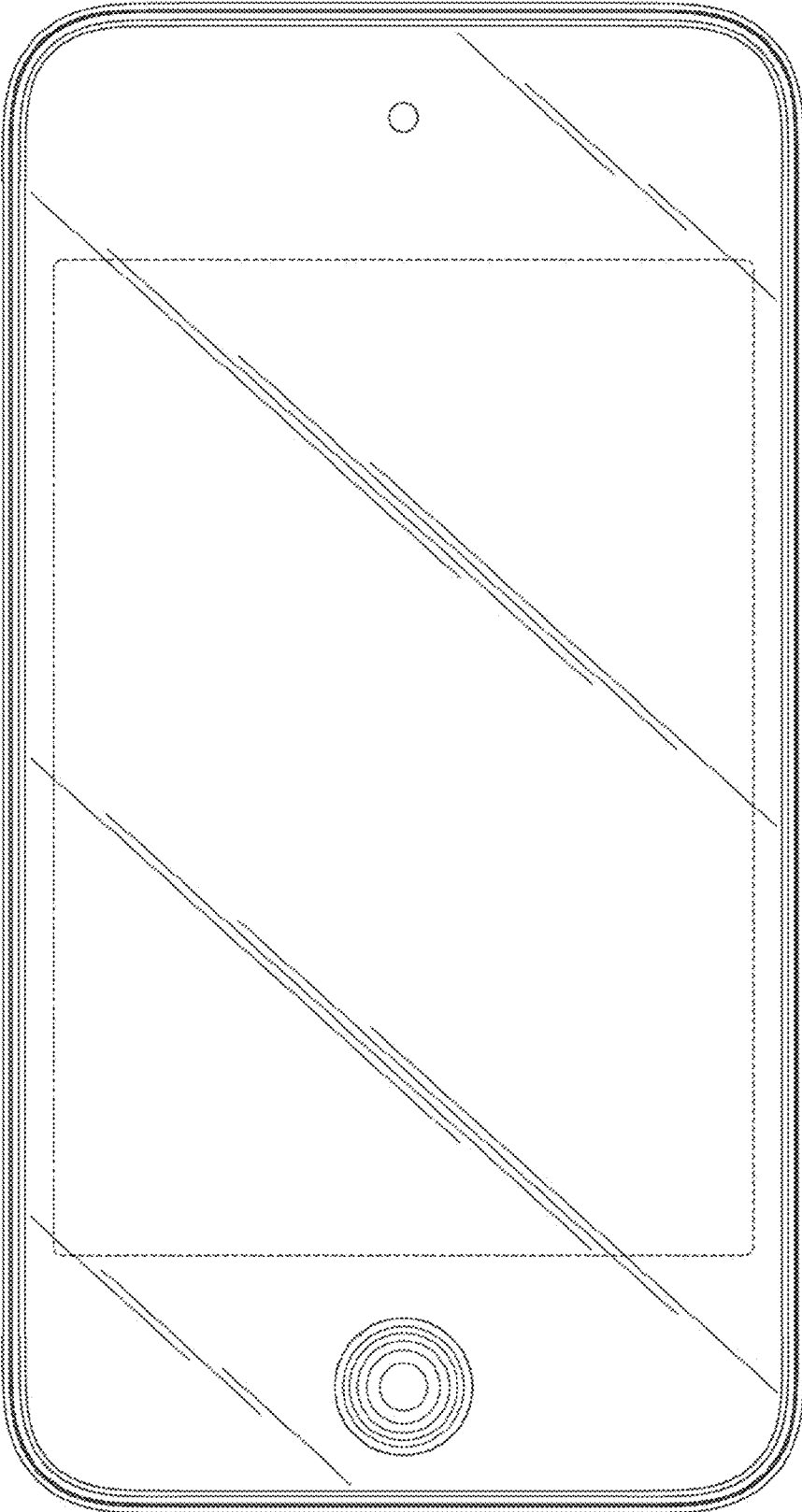


FIG. 5

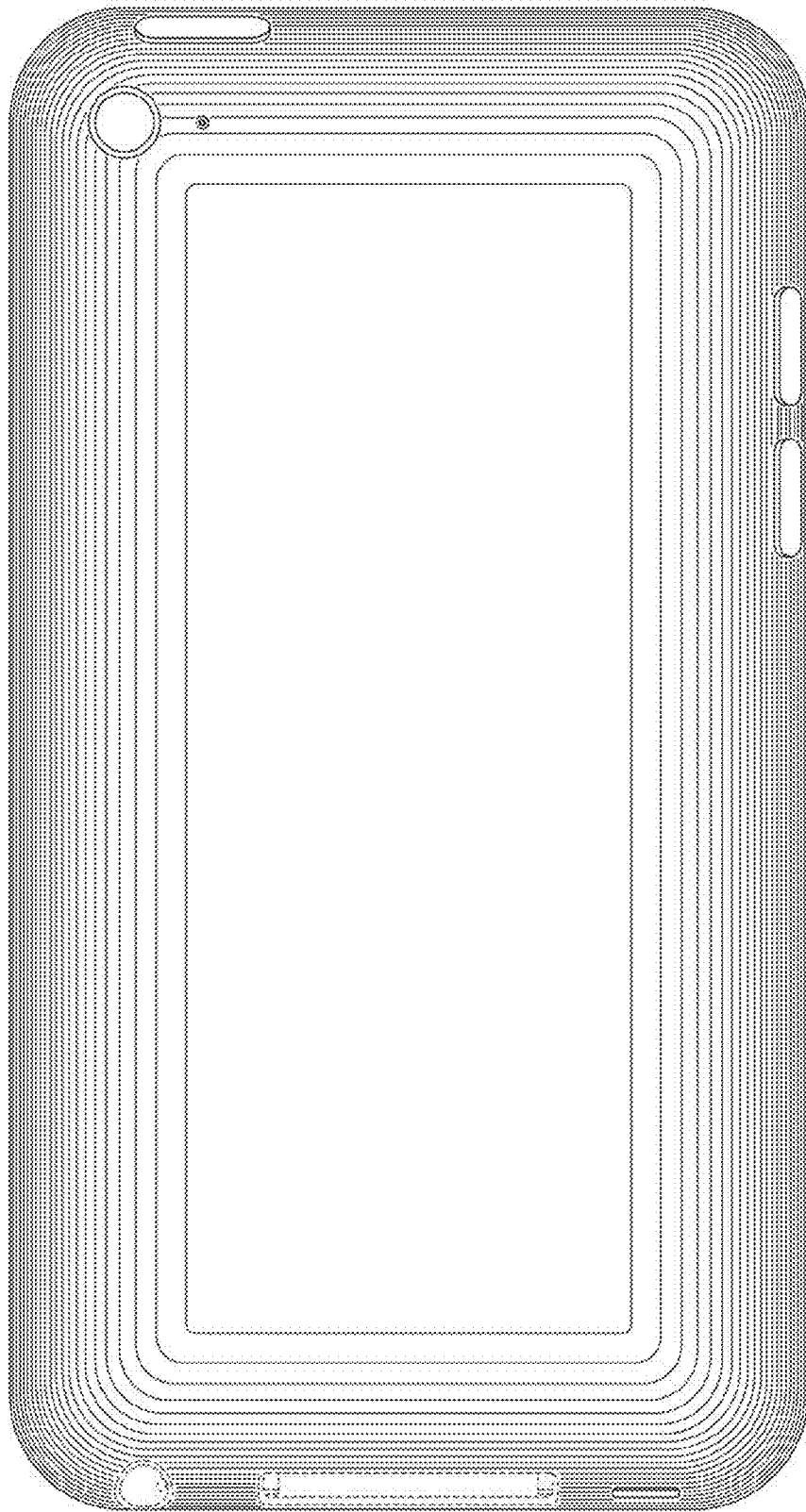


FIG. 6

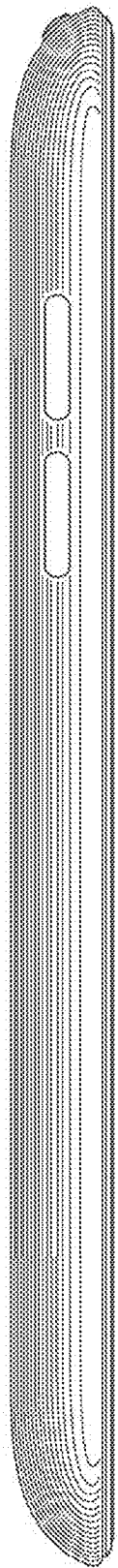


FIG. 7



FIG. 8

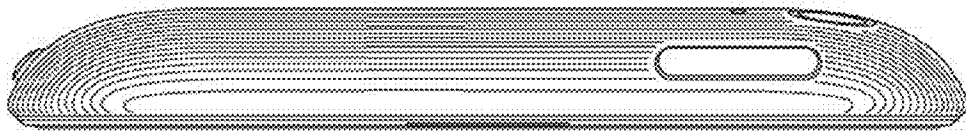


FIG. 9

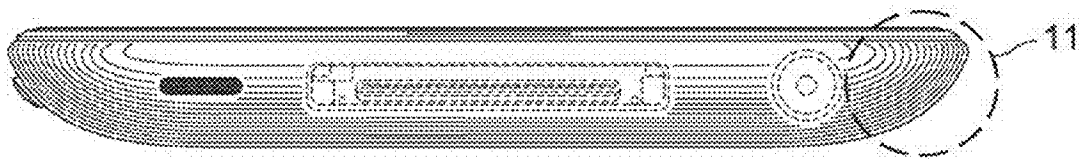


FIG. 10

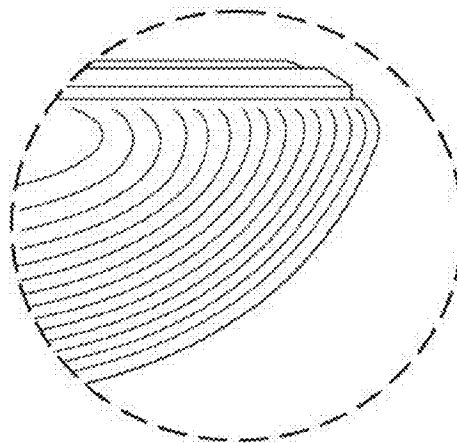


FIG. 11