

EXHIBIT AA

(19) 【発行国】日本国特許庁 (JP)

(45) 【発行日】平成17年6月6日 (2005. 6. 6)

(12) 【公報種別】意匠公報 (S)

(11) 【登録番号】意匠登録第1241383号 (D1241383)

(24) 【登録日】平成17年4月15日 (2005. 4. 15)

(54) 【意匠に係る物品】携帯用情報端末機

(52) 【意匠分類】H5-41

(51) 【国際意匠分類 (参考)】14-02

【Dターム】HFHBA01、HFHBB00、HFHCA03、HFHCB00

(21) 【出願番号】意願2004-26856 (D2004-26856)

(22) 【出願日】平成16年9月3日 (2004. 9. 3)

(72) 【創作者】

【氏名】磯村 歩

【住所又は居所】東京都港区西麻布2-26-30 富士写真フイルム株式会社内

(73) 【意匠権者】

【識別番号】000005201

【氏名又は名称】富士写真フイルム株式会社

【住所又は居所】神奈川県南足柄市中沼210番地

(74) 【代理人】

【識別番号】100075281

【弁理士】

【氏名又は名称】小林 和彦

【審査官】木村 恭子

(55) 【意匠に係る物品の説明】本物品は、参考図に示すように、操作部及び画像表示部を有する本体部の正面、平面、底面、及び左右側面を透明なカバー部材で覆った携帯型情報端末機である。

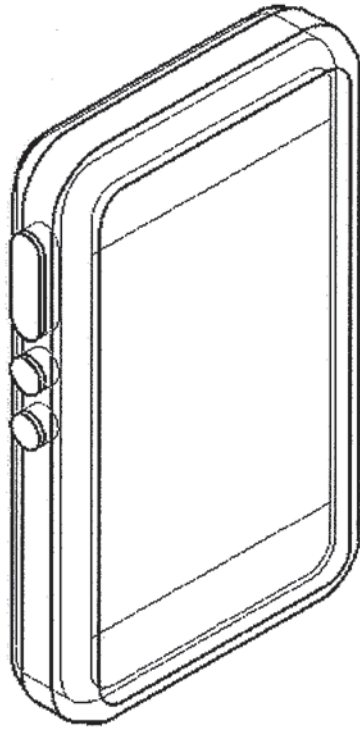
(55) 【意匠の説明】参考図に示すカバー部材は、全体に透明である。また、本体部を示す参考図にハッチェングで示した範囲は、透明な画像表示部である。

【図面】

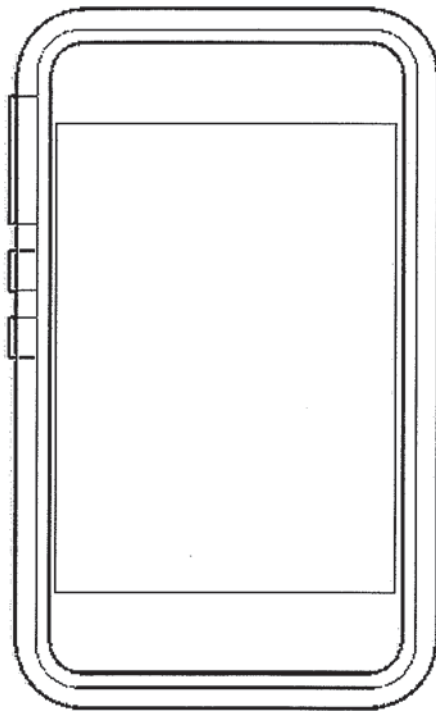
【斜視図】

(2)

意匠登録1241383



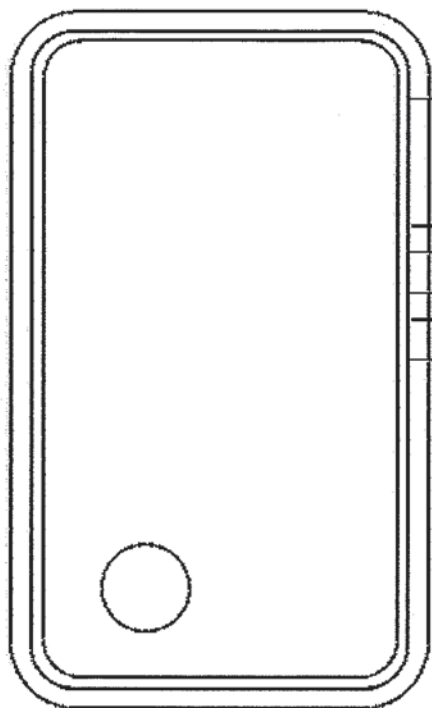
【正面図】



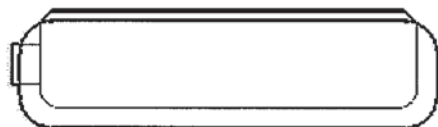
【背面図】

(3)

意匠登録1241383



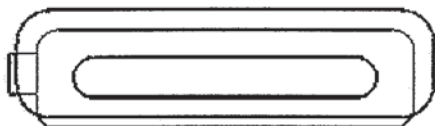
【平面図】



【底面図】

(4)

意匠登録1241383



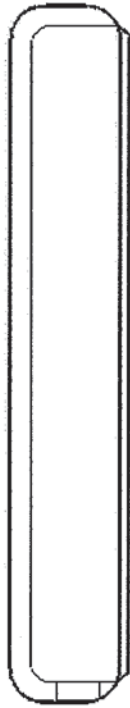
【左側面図】



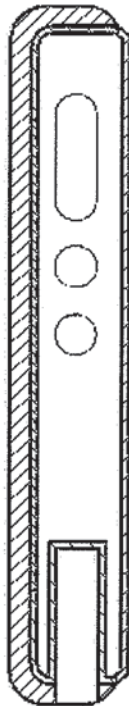
【右側面図】

(5)

意匠登録1241383



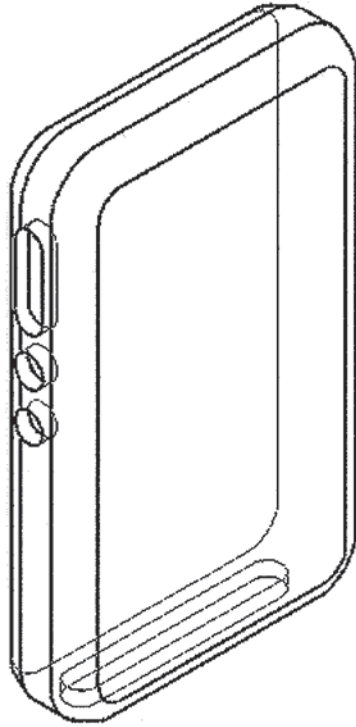
【内部機構を省略した正面図中央縦断面図】



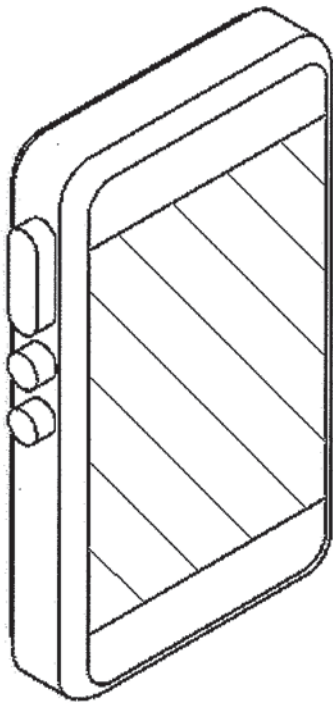
【カバー部を示す参考図】

(5)

意匠登録1241383



【本体部を示す参考図】






TRANSPERFECT

- ALBANY
- AMSTERDAM
- ATLANTA
- AUSTIN
- BARCELONA
- BERLIN
- BOGOTA
- BOSTON
- BRUSSELS
- CHARLOTTE
- CHICAGO
- CLEVELAND
- COLUMBUS
- DALLAS
- DENVER
- DUBAI
- DUBLIN
- DUESSELDORF
- FRANKFURT
- GENEVA
- HONG KONG
- HOUSTON
- IRVINE
- LONDON
- LOS ANGELES
- LYON
- MEXICO CITY
- MIAMI
- MILAN
- MINNEAPOLIS
- MONTREAL
- MUNICH
- NEW YORK
- PARIS
- PHILADELPHIA
- PHOENIX
- PORTLAND
- PRAGUE
- RESEARCH TRIANGLE PARK
- SAN DIEGO
- SAN FRANCISCO
- SAN JOSE
- SEATTLE
- SINGAPORE
- STOCKHOLM
- STUTTGART
- SYDNEY
- TOKYO
- TORONTO
- VANCOUVER
- WASHINGTON, DC
- ZURICH

City of New York, State of New York, County of New York

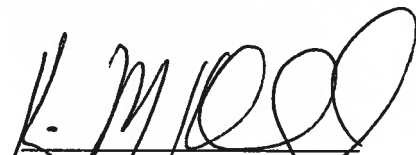
I, Afsana Liza, hereby certify that the following is, to the best of my knowledge and belief, a true and accurate translation of the following document from Japanese into English.

- JP1009317
- JP1235888
- JP1241383
- JP1280315
- JP1295003
- JP1241638

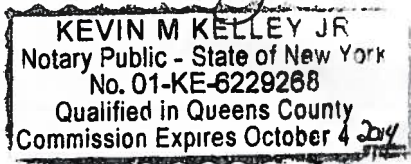


Afsana Liza

**Sworn to before me this
Monday, August 22, 2011**



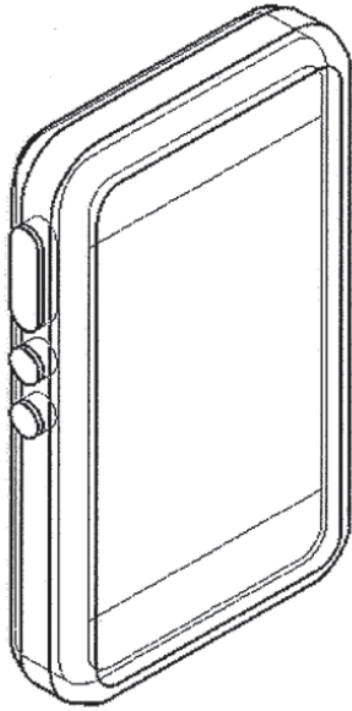
Signature, Notary Public



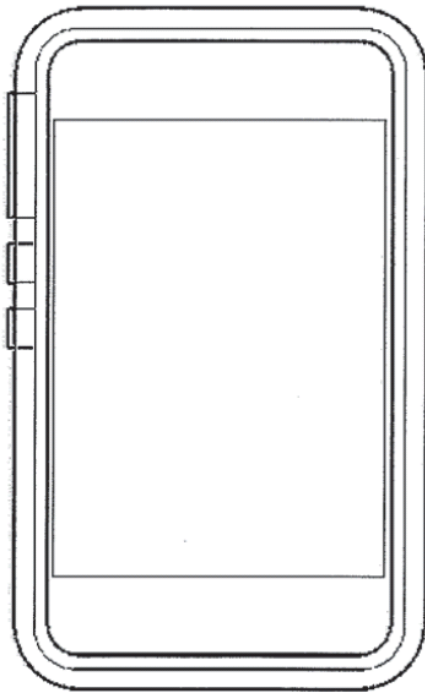
**Stamp, Notary Public
State of New York**

(19) [Country of issue] Japan Patent Office (JP)
(45) [Date issued] June 6, 2005 (2005.6.6)
(12) [Type of gazette] Design Gazette (S)
(11) [Registration number] Design registration number 1241383 (D1241383)
(24) [Date registered] April 15, 2005 (2005.4.15)
(54) [Article to the design] Portable information terminal
(52) [Design classification] H5-41
(51) [International patent classification (reference)] 14-02
[D terms] HFHBA01, HFHBB00, HFHCA03, HFHCB00
(21) [Application number] Design Application 2004-26856 (D2004-26856)
(22) [Application date] September 3, 2004 (2004.9.3)
(72) [Creator]
[Name] Ayumu Isomura
[Address or domicile] c/o Fuji Photo Film Co., Ltd., 2-26-30 Nishiazabu, Minato-ku, Tokyo
(73) [Holder of design right]
[ID number] 000005201
[Name or title] Fuji Photo Film Co., Ltd.
[Address or domicile] 210 Nakanuma, Minami-ashigara-shi, Kanagawa
(74) [Agent]
[ID number] 100075281
[Patent attorney]
[Name or title] Kazunori Kobayashi
[Examiner] Kyoko Kimura
(55) [Description of the article to the design] This article is a portable information terminal consisting of a body portion having an operation portion and image display portion whose front face, plane face, bottom face and left and right side faces are covered with a transparent cover member, as shown in the reference drawings.
(55) [Description of design] The cover member shown in the reference drawings is transparent overall. The portion indicated by hatching in the reference drawings showing the body portion is the transparent image display portion.
[Drawings]
[Perspective view]

(2)



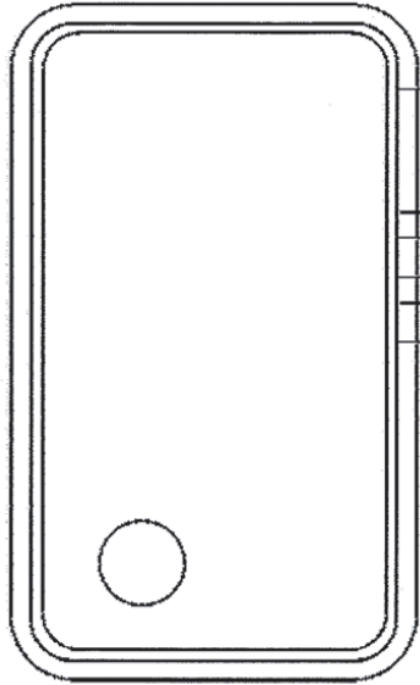
[Front view]



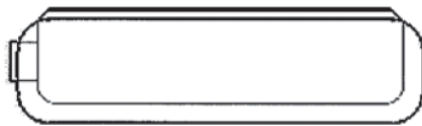
[Rear view]

(3)

Design registration 1241383



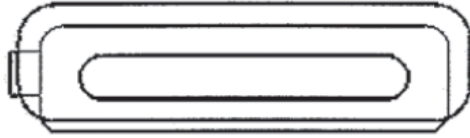
[Plane view]



[Bottom view]

(4)

Design registration 1241383



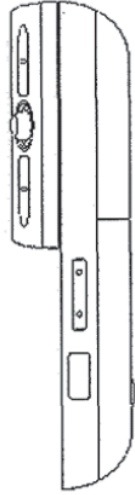
[Left side view]



[Right side view]

(5)

Design registration 1241383

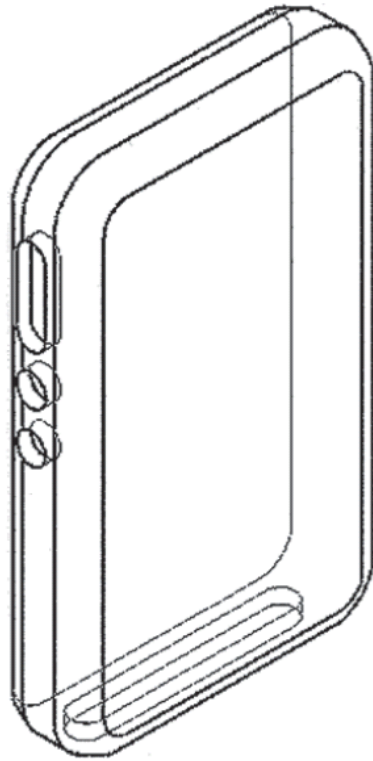


[Left side view]



[A-A edge without internal mechanism]

(5)



[Reference drawing showing body portion]

