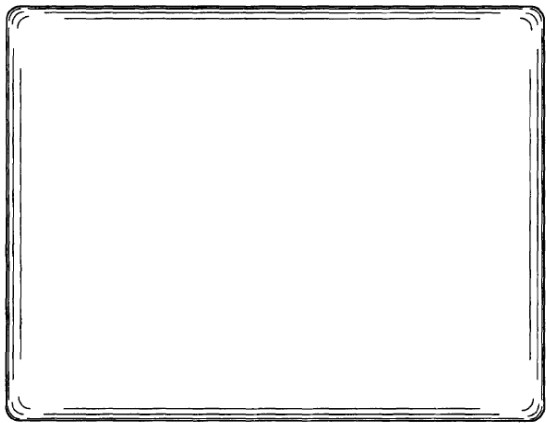
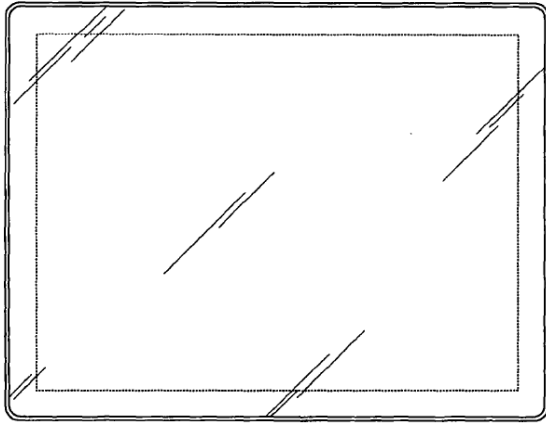
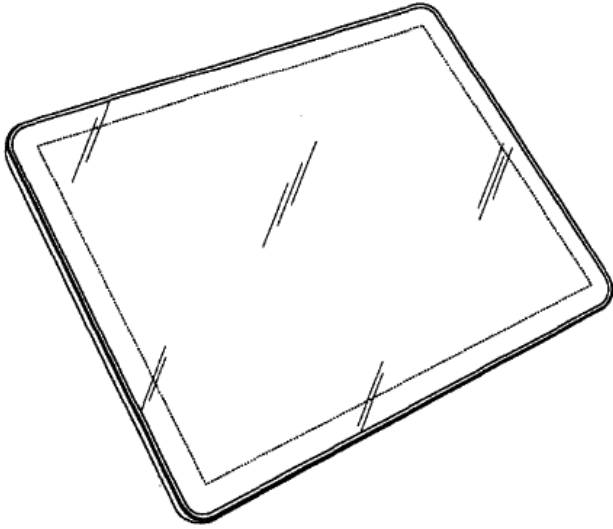


# BRESSLER EXHIBIT 18

**D504,889**



**JP 1142127**

