

# WOODRING EXHIBIT 18



US00D562794S

(12) **United States Design Patent**  
**Kim et al.**

(10) **Patent No.:** **US D562,794 S**

(45) **Date of Patent:** **\*\* Feb. 26, 2008**

(54) **MOBILE PHONE**  
(75) Inventors: **Young-Soo Kim**, Goyang-si (KR);  
**Joon-Suh Kim**, Anyang-si (KR);  
**Chang-Soo Lee**, Incheon (KR)

(73) Assignee: **Samsung Electronics Co., Ltd.**,  
Suwon-Si (KR)

(\*\*) Term: **14 Years**

(21) Appl. No.: **29/273,169**

(22) Filed: **Feb. 28, 2007**

(30) **Foreign Application Priority Data**

Dec. 14, 2006 (KR) ..... 30-2006-0049764

(51) **LOC (8) Cl.** ..... **14-03**

(52) **U.S. Cl.** ..... **D14/138**

(58) **Field of Classification Search** ..... D14/137,  
D14/138, 147, 218, 247-248, 341-347, 496;  
455/90.3, 556.1, 556.2, 575.1, 575.3, 575.4;  
379/433.01-433.13; 361/814; 348/14.02

See application file for complete search history.

(56) **References Cited**

**U.S. PATENT DOCUMENTS**

D489,052 S *	4/2004	Shiraki et al.	.....	D14/156
D499,424 S *	12/2004	Bahroocha	.....	D14/496
D526,300 S *	8/2006	Lee	.....	D14/138
D528,528 S *	9/2006	Moon et al.	.....	D14/138
D529,465 S *	10/2006	Kim et al.	.....	D14/138
D529,471 S *	10/2006	Park	.....	D14/138
D529,890 S *	10/2006	Park et al.	.....	D14/138
D534,143 S *	12/2006	Lheem	.....	D14/138
D534,145 S *	12/2006	Lheem	.....	D14/138
D534,517 S *	1/2007	Cho et al.	.....	D14/138
D534,888 S *	1/2007	Kim et al.	.....	D14/138
D534,890 S *	1/2007	Kim	.....	D14/138
D534,891 S *	1/2007	Park et al.	.....	D14/138
D535,274 S *	1/2007	Lee	.....	D14/138
D535,637 S *	1/2007	Park et al.	.....	D14/138
D536,690 S *	2/2007	Lee	.....	D14/138
D537,062 S *	2/2007	Kim et al.	.....	D14/138
D539,814 S *	4/2007	Andre et al.	.....	D14/496
D541,785 S *	5/2007	Hwang et al.	.....	D14/138
D546,313 S *	7/2007	Lheem	.....	D14/138
D546,809 S *	7/2007	Kim et al.	.....	D14/138
2004/0242288 A1 *	12/2004	Balle et al.	.....	455/575.1

2005/0014538 A1 *	1/2005	Hyun et al.	.....	455/575.4
2007/0037618 A1 *	2/2007	Lee	.....	455/575.4
2007/0123179 A1 *	5/2007	Lim	.....	455/90.3
2007/0142101 A1 *	6/2007	Seshagiri et al.	.....	455/575.4

**OTHER PUBLICATIONS**

Gigabyte g-YoYo, announced 2006, [online], [retrieved on Feb. 20, 2007]. Retrieved from Internet ,<URL: http://www.gsmarena.com>.\*

LG M6100, announced Jan. 2006, [online], [retrieved on Feb. 20, 2007]. Retrieved from Internet ,<URL: http://www.gsmarena.com>.\*

Sony Ericsson S500, announced May 2007, [online], [retrieved on May 18, 2007]. Retrieved from Internet ,<URL: http://www.gsmarena.com>.\*

\* cited by examiner

*Primary Examiner*—Jeffrey Asch

*Assistant Examiner*—Bridget L Eland

(74) *Attorney, Agent, or Firm*—Staas & Halsey LLP

(57) **CLAIM**

The ornamental design for a mobile phone, as shown and described.

**DESCRIPTION**

FIG. 1 is a perspective view of a mobile phone;  
FIG. 2 is a front view of the mobile phone of FIG. 1;  
FIG. 3 is a rear view of the mobile phone of FIG. 1;  
FIG. 4 is a left-side view of the mobile phone of FIG. 1;  
FIG. 5 is a right-side view of the mobile phone of FIG. 1;  
FIG. 6 is a top plan view of the mobile phone of FIG. 1;  
FIG. 7 is a bottom plan view of the mobile phone of FIG. 1;  
FIG. 8 is a perspective view of the mobile phone of FIG. 1 displaying its capacity to attach a laser pointer; and,  
FIG. 9 is a perspective view of the mobile phone of FIG. 1 with an attached speaker.

The broken line showing of accessory components are for illustrative purposes only and form no part of the claimed design.

**1 Claim, 6 Drawing Sheets**

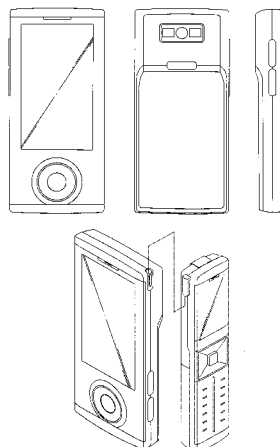


FIG. 1

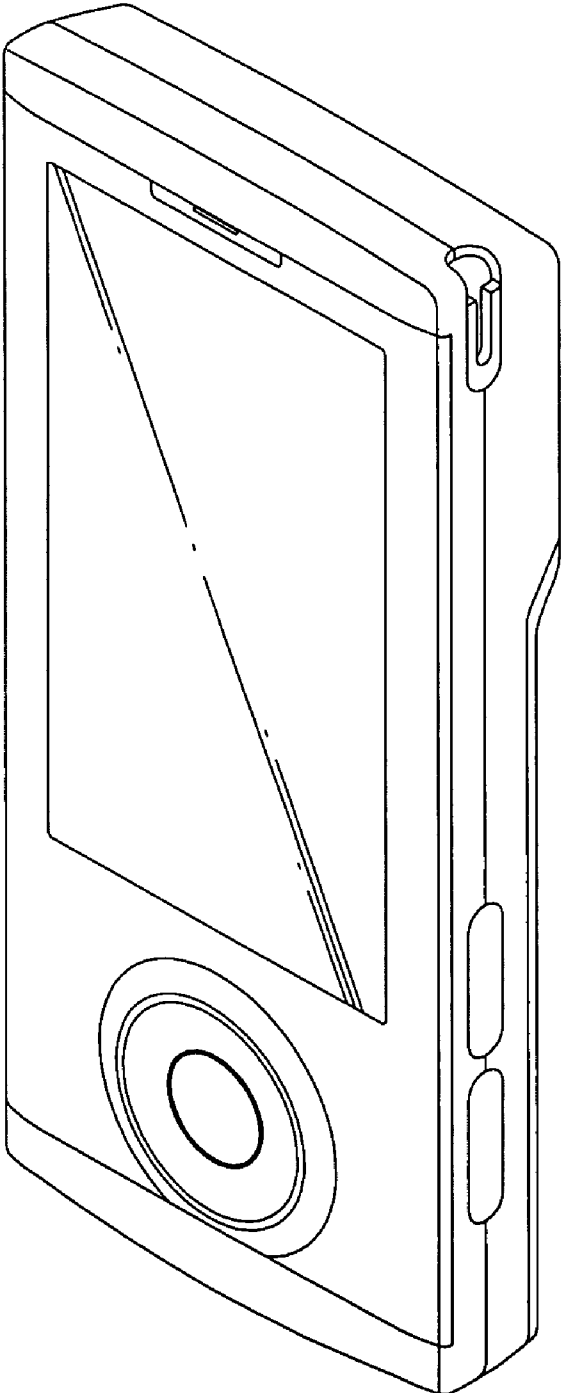


FIG. 2

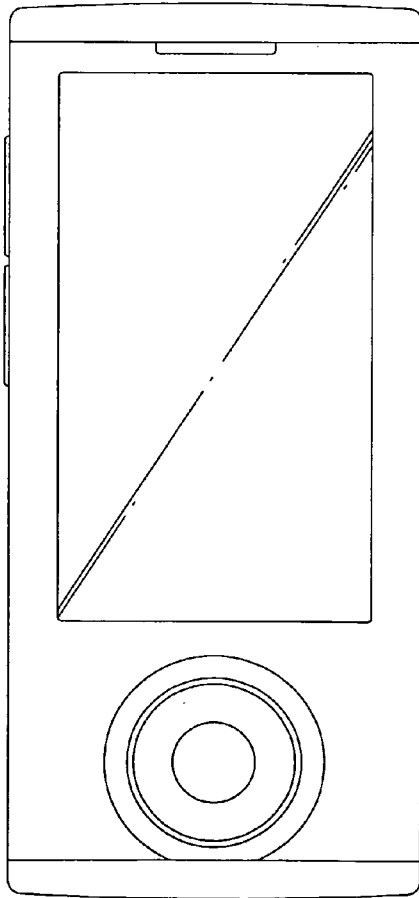


FIG. 3

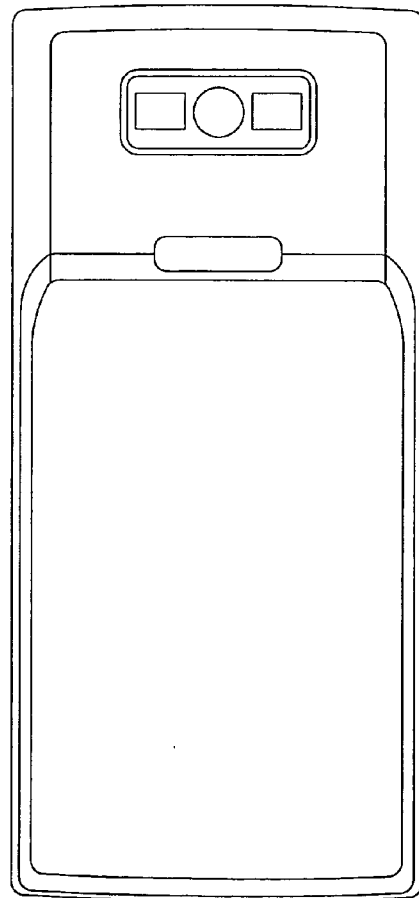


FIG. 4

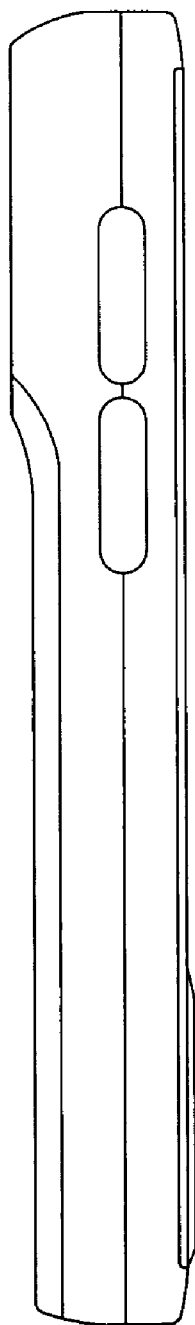


FIG. 5

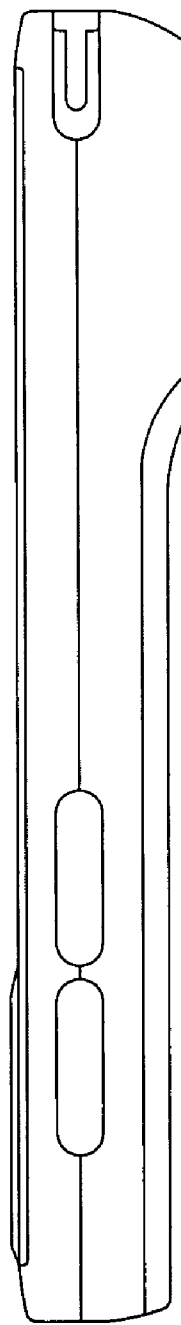


FIG. 6



FIG. 7

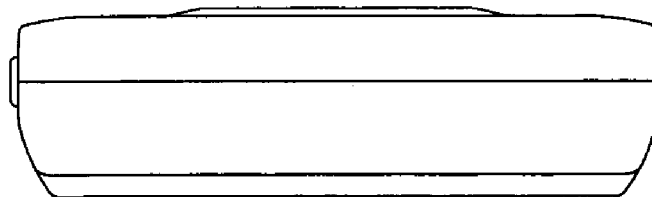


FIG. 8

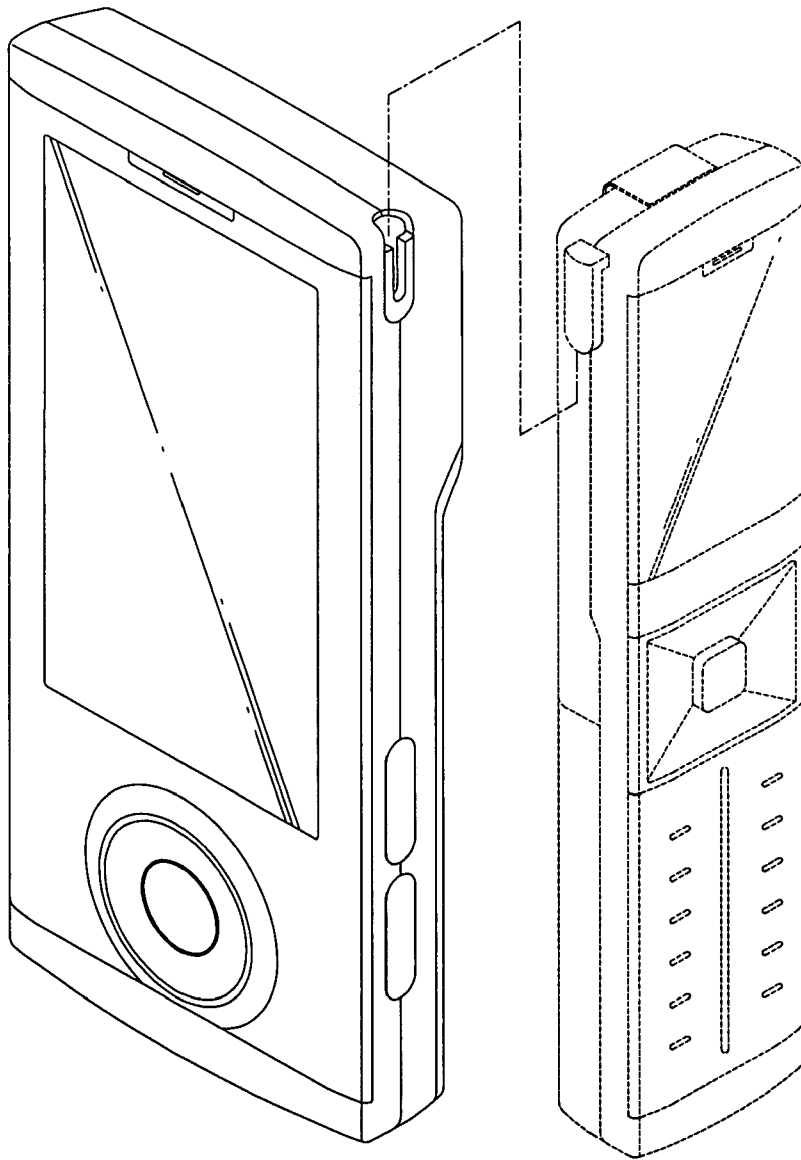


FIG. 9

