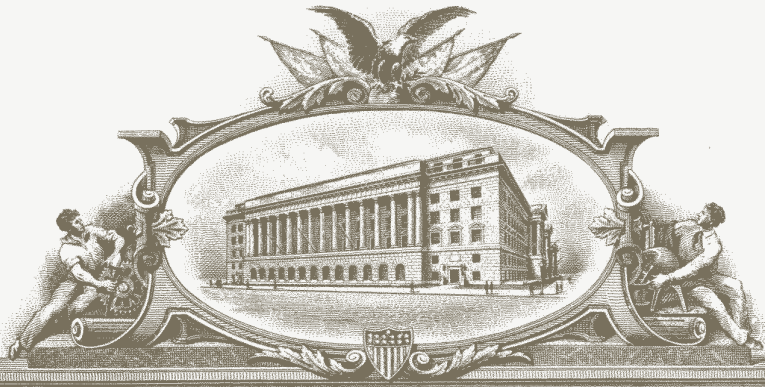


Exhibit C

U 7302677



THE UNITED STATES OF AMERICA

TO ALL TO WHOM THESE PRESENTS SHALL COME:

UNITED STATES DEPARTMENT OF COMMERCE
United States Patent and Trademark Office

June 22, 2011

THIS IS TO CERTIFY THAT ANNEXED HERETO IS A TRUE COPY FROM
THE RECORDS OF THIS OFFICE OF:

U.S. PATENT: 7,663,607

ISSUE DATE: February 16, 2010

By Authority of the
Under Secretary of Commerce for Intellectual Property
and Director of the United States Patent and Trademark Office

P. SWAIN
Certifying Officer





US007663607B2

(12) **United States Patent**
Hotelling et al.

(10) **Patent No.:** **US 7,663,607 B2**
(45) **Date of Patent:** **Feb. 16, 2010**

(54) **MULTIPOINT TOUCHSCREEN**
(75) Inventors: **Steve Hotelling**, San Jose, CA (US);
Joshua A. Strickon, San Jose, CA (US);
Brian Q. Huppi, San Francisco, CA (US)
(73) Assignee: **Apple Inc.**, Cupertino, CA (US)
(*) Notice: Subject to any disclaimer, the term of this patent is extended or adjusted under 35 U.S.C. 154(b) by 754 days.

4,734,685 A	3/1988	Watanabe	340/710
4,746,770 A	5/1988	McAvinney	178/18
4,771,276 A	9/1988	Parks	340/712
4,788,384 A	11/1988	Bruere-Dawson et al.	178/18
4,806,846 A	2/1989	Kerber	324/60 CD
4,898,555 A	2/1990	Sampson	445/22
4,914,624 A	4/1990	Dunthorn et al.	
4,968,877 A	11/1990	McAvinney et al.	250/221
5,003,519 A	3/1991	Noirjean	368/73
5,017,030 A	5/1991	Crews	400/485
5,178,477 A	1/1993	Gambaro	400/489
5,189,403 A	2/1993	Franz et al.	340/711
5,194,862 A	3/1993	Edwards	341/20
5,224,861 A	7/1993	Glass et al.	434/35
5,241,308 A	8/1993	Young	341/34

(21) Appl. No.: **10/840,862**

(22) Filed: **May 6, 2004**

(65) **Prior Publication Data**
US 2006/0097991 A1 May 11, 2006

(51) **Int. Cl.**
G06F 3/041 (2006.01)
(52) **U.S. Cl.** **345/173; 345/174; 178/18.01**
(58) **Field of Classification Search** **345/173-179;**
178/18.01-18.04

See application file for complete search history.

(56) **References Cited**
U.S. PATENT DOCUMENTS

3,333,160 A	7/1967	Gorski	
3,541,541 A	11/1970	Englebart	
3,662,105 A	5/1972	Hurst et al.	178/18
3,798,370 A	3/1974	Hurst	178/18
4,246,452 A	1/1981	Chandler	200/5
4,550,221 A	10/1985	Mabusth	178/18
4,672,364 A	6/1987	Lucas	340/365 P
4,672,558 A	6/1987	Beckes et al.	364/518
4,692,809 A	9/1987	Beining et al.	358/247
4,695,827 A	9/1987	Beining et al.	340/365 P
4,733,222 A	3/1988	Evans	340/365 C

(Continued)

FOREIGN PATENT DOCUMENTS

CA	1243096	10/1988	340/180
----	---------	---------	---------

(Continued)

OTHER PUBLICATIONS

U.S. Appl. No. 10/654,108, filed Sep. 2, 2003.

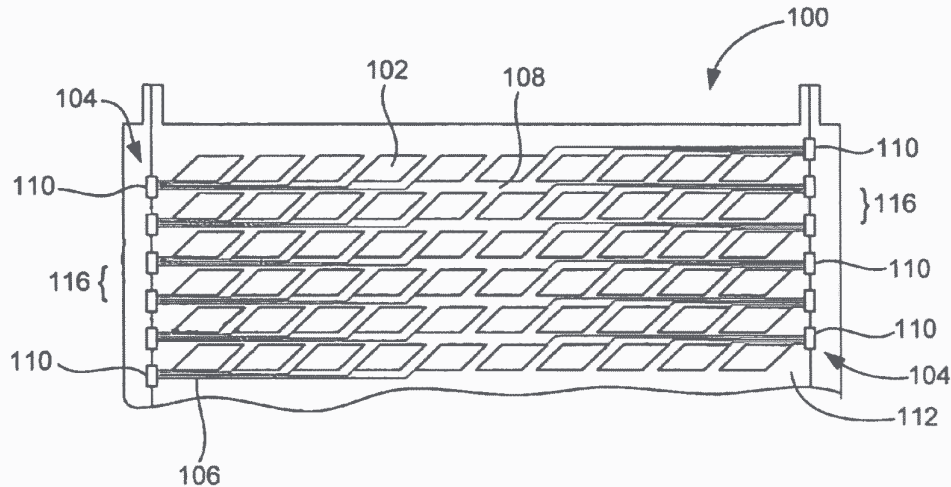
(Continued)

Primary Examiner—Richard Hjerpe
Assistant Examiner—Kimnhung Nguyen
(74) *Attorney, Agent, or Firm*—Morrison & Foerster LLP

(57) **ABSTRACT**

A touch panel having a transparent capacitive sensing medium configured to detect multiple touches or near touches that occur at the same time and at distinct locations in the plane of the touch panel and to produce distinct signals representative of the location of the touches on the plane of the touch panel for each of the multiple touches is disclosed.

11 Claims, 14 Drawing Sheets



U.S. PATENT DOCUMENTS

5,252,951 A	10/1993	Tannenbaum et al.	345/156	6,002,389 A	12/1999	Kasser	345/173
5,281,966 A	1/1994	Walsh	341/22	6,002,808 A	12/1999	Freeman	382/288
5,305,017 A	4/1994	Gerpheide	345/174	6,020,881 A	2/2000	Naughton et al.	345/327
5,345,543 A	9/1994	Capps et al.	395/137	6,031,524 A	2/2000	Kunert	345/173
5,376,948 A	12/1994	Roberts	345/173	6,037,882 A	3/2000	Levy	341/20
5,398,310 A	3/1995	Tchao et al.	395/144	6,050,825 A	4/2000	Nichol et al.	434/227
5,442,742 A	8/1995	Greyson et al.	395/146	6,052,339 A	4/2000	Frenkel et al.	368/230
5,463,388 A	10/1995	Boie et al.	341/33	6,061,177 A *	5/2000	Fujimoto	359/443
5,463,696 A	10/1995	Beernink et al.	382/186	6,072,494 A	6/2000	Nguyen	345/358
5,483,261 A	1/1996	Yasutake	345/173	6,084,576 A	7/2000	Leu et al.	345/168
5,488,204 A	1/1996	Mead et al.	178/18	6,107,997 A	8/2000	Ure	345/173
5,495,077 A	2/1996	Miller et al.	178/18	6,128,003 A	10/2000	Smith et al.	345/157
5,513,309 A	4/1996	Meier et al.	395/155	6,131,299 A	10/2000	Raab et al.	33/503
5,523,775 A	6/1996	Capps	345/179	6,135,958 A	10/2000	Mikula-Curtis et al.	600/443
5,530,455 A	6/1996	Gillick et al.	345/163	6,144,380 A	11/2000	Shwartz et al.	345/350
5,543,590 A	8/1996	Gillespie et al.	178/18	6,188,391 B1	2/2001	Seely et al.	
5,543,591 A	8/1996	Gillespie et al.	178/18	6,198,515 B1	3/2001	Cole	348/836
5,563,632 A	10/1996	Roberts	345/173	6,208,329 B1	3/2001	Ballare	345/173
5,563,996 A	10/1996	Tchao	395/144	6,222,465 B1	4/2001	Kumar et al.	341/20
5,565,658 A	10/1996	Gerpheide et al.	178/19	6,239,790 B1	5/2001	Martinelli et al.	345/174
5,579,036 A	11/1996	Yates, IV	345/173	6,243,071 B1	6/2001	Shwartz et al.	345/146
5,581,681 A	12/1996	Tchao et al.	395/804	6,246,862 B1	6/2001	Grivas et al.	455/90
5,583,946 A	12/1996	Gourdol	382/187	6,249,606 B1	6/2001	Kiraly et al.	382/195
5,589,856 A	12/1996	Stein et al.		6,288,707 B1	9/2001	Philipp	345/168
5,590,219 A	12/1996	Gourdol	382/202	6,289,326 B1	9/2001	LaFleur	705/702
5,592,566 A	1/1997	Pagallo et al.	382/187	6,292,178 B1	9/2001	Bernstein et al.	345/173
5,594,810 A	1/1997	Gourdol	382/187	6,323,846 B1	11/2001	Westerman et al.	
5,596,694 A	1/1997	Capps	395/152	6,337,678 B1	1/2002	Fish	
5,612,719 A	3/1997	Beernink et al.	345/173	6,347,290 B1	2/2002	Bartlett	702/150
5,631,805 A	5/1997	Bonsall	361/681	6,377,009 B1	4/2002	Philipp	318/468
5,633,955 A	5/1997	Bozinovic et al.	381/187	6,380,931 B1	4/2002	Gillespie et al.	345/173
5,634,102 A	5/1997	Capps	395/334	6,411,287 B1	6/2002	Scharff et al.	345/177
5,636,101 A	6/1997	Bonsall et al.	361/681	6,414,671 B1	7/2002	Gillespie et al.	345/157
5,642,108 A	6/1997	Gopher et al.	341/22	6,421,234 B1	7/2002	Ricks et al.	361/683
5,644,657 A	7/1997	Capps et al.	382/229	6,452,514 B1	9/2002	Philipp	341/33
5,666,113 A	9/1997	Logan	341/34	6,457,355 B1	10/2002	Philipp	73/304
5,666,502 A	9/1997	Capps	345/352	6,466,036 B1	10/2002	Philipp	324/678
5,666,552 A	9/1997	Grayson et al.	395/802	6,515,669 B1	2/2003	Mohri	345/474
5,675,361 A	10/1997	Santilli	345/168	6,525,749 B1	2/2003	Moran et al.	345/863
5,677,710 A	10/1997	Thompson-Rohrlich	345/173	6,535,200 B2	3/2003	Philipp	345/168
5,689,253 A	11/1997	Hargreaves et al.	341/22	6,543,684 B1	4/2003	White et al.	234/379
5,710,844 A	1/1998	Capps et al.	382/317	6,543,947 B2	4/2003	Lee	400/489
5,729,250 A	3/1998	Bishop et al.	345/175	6,570,557 B1	5/2003	Westerman et al.	
5,730,165 A	3/1998	Philipp	137/1	6,593,916 B1	7/2003	Aroyan	
5,736,976 A	4/1998	Cheung	345/168	6,610,936 B2	8/2003	Gillespie et al.	178/18.01
5,741,990 A	4/1998	Davies	84/423 R	6,624,833 B1	9/2003	Kumar et al.	345/863
5,745,116 A	4/1998	Pisutha-Armond	345/358	6,639,577 B2	10/2003	Eberhard	345/102
5,745,716 A	4/1998	Tchao et al.	395/350	6,650,319 B1	11/2003	Hurst et al.	
5,746,818 A	5/1998	Yatake	106/31.86	6,658,994 B1	12/2003	McMillan	99/468
5,748,269 A	5/1998	Harris et al.	349/58	6,670,894 B2	12/2003	Mehring	341/22
5,764,222 A	6/1998	Shieh	345/173	6,677,932 B1	1/2004	Westerman	
5,767,457 A	6/1998	Gerpheide et al.	178/18	6,677,934 B1	1/2004	Blanchard	345/173
5,767,842 A	6/1998	Korth	345/168	6,723,929 B2	4/2004	Kent	
5,790,104 A	8/1998	Shieh	345/173	6,724,366 B2	4/2004	Crawford	345/157
5,790,107 A	8/1998	Kasser et al.	345/174	6,757,002 B1	6/2004	Oross et al.	345/864
5,802,516 A	9/1998	Shwartz et al.	707/6	6,803,906 B1	10/2004	Morrison et al.	345/173
5,808,567 A	9/1998	McCloud	341/20	6,842,672 B1	1/2005	Straub et al.	701/3
5,809,267 A	9/1998	Moran et al.	395/358	6,856,259 B1 *	2/2005	Sharp	341/5
5,821,690 A	10/1998	Martens et al.	313/506	6,888,536 B2 *	5/2005	Westerman et al.	345/173
5,821,930 A	10/1998	Hansen	345/340	6,900,795 B1	5/2005	Knight, III et al.	345/173
5,823,782 A	10/1998	Marcus et al.	434/156	6,927,761 B2	8/2005	Badaye et al.	345/173
5,825,351 A	10/1998	Tam		6,942,571 B1	9/2005	McAllister et al.	463/20
5,825,352 A	10/1998	Bisset et al.	345/173	6,965,375 B1	11/2005	Gettemy et al.	345/173
5,854,625 A	12/1998	Frisch et al.	345/173	6,972,401 B2	12/2005	Akitt et al.	250/221
5,880,411 A	3/1999	Gillespie et al.	178/18.01	6,977,666 B1	12/2005	Hedrick	345/690
5,898,434 A	4/1999	Small et al.	345/348	6,985,801 B1	1/2006	Straub et al.	701/3
5,920,309 A	7/1999	Bisset et al.	345/173	6,992,659 B2	1/2006	Gettemy	345/173
5,923,319 A	7/1999	Bishop et al.	345/175	7,030,860 B1 *	4/2006	Hsu et al.	345/173
5,933,134 A	8/1999	Shieh	345/173	7,031,228 B2	4/2006	Born et al.	368/69
5,942,733 A	8/1999	Allen et al.		2002/0015024 A1 *	2/2002	Westerman et al.	345/173
5,943,044 A	8/1999	Martinelli et al.	345/174	2002/0118848 A1	8/2002	Karpenstein	381/119
				2003/0006974 A1	1/2003	Clough et al.	345/179
				2003/0076301 A1	4/2003	Tsuk et al.	345/159

2003/0076303	A1	4/2003	Huppi	345/163
2003/0076306	A1	4/2003	Zadesky et al.	345/173
2003/0095095	A1	5/2003	Pihlaja	345/156
2003/0095096	A1	5/2003	Robbin et al.	345/156
2003/0098858	A1	5/2003	Perski et al.	345/173
2003/0206202	A1	11/2003	Moriya	345/846
2003/0234768	A1	12/2003	Rekimoto et al.	345/169
2003/0234770	A1*	12/2003	MacKey	345/173
2004/0227736	A1*	11/2004	Kamrath et al.	345/173
2004/0263484	A1	12/2004	Mantysalo et al.	345/173
2005/0007349	A1*	1/2005	Vakil et al.	345/173
2005/0012723	A1	1/2005	Pallakoff	345/173
2005/0052425	A1	3/2005	Zadesky et al.	345/173
2005/0083307	A1*	4/2005	Aufderheide et al.	345/173
2005/0104867	A1	5/2005	Westerman et al.	345/173
2005/0110768	A1	5/2005	Marriott et al.	345/173
2005/0146511	A1*	7/2005	Hill et al.	345/173
2006/0022955	A1	2/2006	Kennedy	345/173
2006/0022956	A1	2/2006	Lengeling et al.	345/173
2006/0026521	A1	2/2006	Hotelling et al.	715/702
2006/0026535	A1	2/2006	Hotelling et al.	715/863
2006/0026536	A1	2/2006	Hotelling et al.	715/863
2006/0032680	A1	2/2006	Elias et al.	178/18.06
2006/0033724	A1	2/2006	Chaudhri et al.	345/173
2006/0053387	A1	3/2006	Ording	715/773
2006/0066582	A1	3/2006	Lyon et al.	345/173
2006/0085757	A1	4/2006	Andre et al.	715/771
2006/0097991	A1	5/2006	Hotelling et al.	345/173
2006/0197753	A1	9/2006	Hotelling	345/173

FOREIGN PATENT DOCUMENTS

DE	102 51 296	5/2004
EP	0 156 593	10/1985
EP	0 250 931	1/1988
EP	0 288 692	7/1993
EP	0 664 504	1/1995
EP	0 464 908	9/1996
EP	1 014 295	1/2002
JP	59-214941	12/1984
JP	60-211529	10/1985
JP	08-016307	1/1996
JP	2000-112642	4/2000
JP	2002-342033	11/2002
JP	2003-029899	1/2003
WO	97/18547	5/1997
WO	97/23738	7/1997
WO	98/14863	4/1998
WO	WO-01/27868	A1 4/2001
WO	03/088176	10/2003
WO	WO-2004/013833	A2 2/2004
WO	WO-2004/013833	A3 2/2004
WO	WO-2005/114369	A2 12/2005
WO	WO-2005/114369	A3 12/2005
WO	2006/023569	3/2006

OTHER PUBLICATIONS

U.S. Appl. No. 10/789,676, filed Feb. 27, 2004.
 U.S. Appl. No. 10/903,964, filed Jul. 30, 2004.
 U.S. Appl. No. 11/015,978, filed Dec. 17, 2004.
 U.S. Appl. No. 11/038,590, filed Jan. 18, 2005.
 U.S. Appl. No. 11/048,264, filed Jan. 31, 2005.
 "Touch Technologies Overview," 2001, 3M Touch Systems, Massachusetts.
 "Touchscreen Technology Choices," <http://www.elotouch.com/products/detech2.asp>, downloaded Aug. 5, 2005.
 Jun Rekimoto, "SmartSkin: An Infrastructure for Freehand Manipulation on Interactive Surfaces," CHI 2002, Apr. 20-25, 2002, Minneapolis, Minnesota.
 "Wacom Components—Technology," <http://www.wacomcomponents.com/english/tech.asp>, downloaded Oct. 10, 2004.

"Comparing Touch Technologies," <http://www.touchscreens.com/intro-touchtypes.html>, downloaded Oct. 10, 2004.
 "GlidePoint®," http://www.cirque.com/technology/technology_gp.htm, downloaded Aug. 5, 2005.
 "Captive Position Sensing," <http://www.synaptics.com/technology/cps.cfm>, downloaded Aug. 5, 2005.
 "How do touchscreen monitors know where you're touching?," <http://electronics.howstuffworks.com/question716.htm>, downloaded Aug. 5, 2005.
 "How Does a Touchscreen Work?," <http://www.touchscreens.com/intro-anatomy.html>, downloaded Aug. 5, 2005.
 "4-Wire Resistive Touchscreens," <http://www.touchscreens.com/intro-touchtypes-4resistive.html>, downloaded Aug. 5, 2005.
 "5-Wire Resistive Touchscreens," <http://www.touchscreens.com/intro-touchtypes-resistive.html>, downloaded Aug. 5, 2005.
 "Capacitive Touchscreens," <http://www.touchscreens.com/intro-touchtypes-capacitive.html>, downloaded Aug. 5, 2005.
 "PenTouch Capacitive Touchscreens," <http://www.touchscreens.com/intro-touchtypes-pentouch.html>, downloaded Aug. 5, 2005.
 "Surface Acoustic Wave Touchscreens," <http://www.touchscreens.com/intro-touchtypes-saw.html>, downloaded Aug. 5, 2005.
 "Near Field Imaging Touchscreens," <http://www.touchscreens.com/intro-touchtypes-nfi.html>, downloaded Aug. 5, 2005.
 "Infrared Touchscreens," <http://www.touchscreens.com/intro-touchtypes-infrared.html>, downloaded Aug. 5, 2005.
 "Watershed Algorithm," <http://rsb.info.nih.gov/ij/plugins/watershed.html>, downloaded Aug. 5, 2005.
 U.S. Appl. No. 10/654,108, filed Sep. 2, 2003 entitled "Ambidextrous Mouse".
 U.S. Appl. No. 10/789,676, filed Feb. 27, 2004 entitled "Shape Detecting Input Device".
 "4-Wire Resistive Touchscreens" obtained from <http://www.touchscreens.com/intro-touchtypes-4resistive.html> generated Aug. 5, 2005.
 "5-Wire Resistive Touchscreens" obtained from <http://www.touchscreens.com/intro-touchtypes-resistive.html> generated Aug. 5, 2005.
 "A Brief Overview of Gesture Recognition" obtained from http://www.dai.ed.ac.uk/Cvonline/LOCA_COPIES/COHEN/gesture_overview.html, generated Apr. 20, 2004.
 "Capacitive Touchscreens" obtained from <http://www.touchscreens.com/intro-touchtypes-capacitive.html> generated Aug. 5, 2005.
 "Capacitive Position Sensing" obtained from <http://www.synaptics.com/technology/cps.cfm> generated Aug. 5, 2005.
 "Comparing Touch Technologies" obtained from <http://www.touchscreens.com/intro-touchtypes.html> generated Oct. 10, 2004.
 "Gesture Recognition" http://www.fingerworks.com/gesture_recognition.html.
 "GlidePoinar®" obtained from http://www.cirque.com/technology/technology_gp.html generated Aug. 5, 2005.
 "How do touchscreen monitors know where you're touching?" obtained from <http://www.electronics.howstuffworks.com/question716.html> generated Aug. 5, 2005.
 "How does a touchscreen work?" obtained from <http://www.touchscreens.com/intro-anatomy.html> generated Aug. 5, 2005.
 "iGesture Products for Everyone (learn in minutes) Product Overview" FingerWorks.com.
 "Infrared Touchscreens" obtained from <http://www.touchscreens.com/intro-touchtypes-infrared.html> generated Aug. 5, 2005.
 "Mouse Emulation" FingerWorks obtained from http://www.fingerworks.com/gesture_guide_mouse.html generated Aug. 30, 2005.
 "Mouse Gestures in Opera" obtained from <http://www.opera.com/products/desktop/mouse/index.dml> generated Aug. 30, 2005.
 "Mouse Gestures," Optim oz, May 21, 2004.
 "MultiTouch Overview" FingerWorks obtained from <http://www.fingerworks.com/multoverview.html> generated Aug. 30, 2005.
 "Near Field Imaging Touchscreens" obtained from <http://www.touchscreens.com/intro-touchtypes-nfi.html> generated Aug. 5, 2005.
 "PenTouch Capacitive Touchscreens" obtained from <http://www.touchscreens.com/intro-touchtypes-pentouch.html> generated Aug. 5, 2005.

- "Surface Acoustic Wave Touchscreens" obtained from <http://www.touchscreens.com/intro-touchtypes-saw.html> generated Aug. 5, 2005.
- "Symbol Commander" obtained from <http://www.sensiva.com/symbolcommander/>, generated Aug. 30, 2005.
- "Tips for Typing" FingerWorks http://www.fingerworks.com/mini_typing.html generated Aug. 30, 2005.
- "Touch Technologies Overview" 2001, 3M Touch Systems, Massachusetts.
- "Wacom Components—Technology" obtained from <http://www.wacom-components.com/english/tech.asp> generated on Oct. 10, 2004.
- "Watershed Algorithm" <http://rsb.info.nih.gov/ij/plugins/watershed.html> generated Aug. 5, 2005.
- "FingerWorks—Gesture Guide—Application Switching," obtained from http://www.fingerworks.com/gesture_guide_apps.html, generated on Aug. 27, 2004, 1-pg.
- "FingerWorks—Gesture Guide—Editing," obtained from http://www.fingerworks.com/gesture_guide_editing.html, generated on Aug. 27, 2004, 1-pg.
- "FingerWorks—Gesture Guide—File Operations," obtained from http://www.fingerworks.com/gesture_guide_files.html, generated on Aug. 27, 2004, 1-pg.
- "FingerWorks—Gesture Guide—Text Manipulation," obtained from http://www.fingerworks.com/gesture_guide_text_manip.html, generated on Aug. 27, 2004, 2-pg.
- "FingerWorks—Gesture Guide—Tips and Tricks," obtained from http://www.fingerworks.com/gesture_guide_tips.html, generated Aug. 27, 2004, 2-pgs.
- "FingerWorks—Gesture Guide—Web," obtained from http://www.fingerworks.com/gesture_guide_web.html, generated on Aug. 27, 2004, 1-pg.
- "FingerWorks—Guide to Hand Gestures for USB Touchpads," obtained from http://www.fingerworks.com/igesture_userguide.html, generated Aug. 27, 2004, 1-pg.
- "FingerWorks—iGesture—Technical Details," obtained from http://www.fingerworks.com/igesture_tech.html, generated Aug. 27, 2004, 1-pg.
- "FingerWorks—The Only Touchpads with Ergonomic Full-Hand Resting and Relaxation!" obtained from <http://www.fingerworks.com/resting.html>, Copyright 2001, 1-pg.
- "FingerWorks—Tips for Typing on the Mini," obtained from http://www.fingerworks.com/mini_typing.html, generated on Aug. 27, 2004, 2-pgs.
- "iGesture Pad—the MultiFinger USB TouchPad with Whole-Hand Gestures," obtained from <http://www.fingerworks.com/igesture.html>, generated Aug. 27, 2004, 2-pgs.
- Bier, et al., "Toolglass and Magic Lenses: The see-through interface" In James Kijjya, editor, *Computer Graphics (SIGGRAPH '93 Proceedings)*, vol. 27, pp. 73-80, Aug. 1993.
- Douglas et al., *The Ergonomics of Computer Pointing Devices* (1997).
- European Search Report received in EP 1 621 989 (@ *Beyer Weaver & Thomas, LLP*) dated Mar. 27, 2006.
- EVB Elektronik "TS0P6238 IR Receiver Modules for Infrared Remote Control Systems" dated Jan. 2004 1-pg.
- Fisher et al., "Repetitive Motion Disorders: The Design of Optimal Rate- Rest Profiles," *Human Factors*, 35(2):283-304 (Jun. 1993).
- Fukumoto, et al., "ActiveClick: Tactile Feedback for Touch Panels," In CHI 2001 Summary, pp. 121-122, 2001.
- Fukumoto and Yoshinobu Tonomura, "Body Coupled Fingering: Wireless Wearable Keyboard," *CHI 97*, pp. 147-154 (Mar. 1997).
- Hardy, "Fingerworks" Mar. 7, 2002; BBC World On Line.
- Hillier and Gerald J. Lieberman, *Introduction to Operations Research* (1986).
- International Search Report dated Mar. 3, 2006 (PCT/US 05/03325; 119-0052WO).
- Jacob et al., "Integrity and Separability of Input Devices," *ACM Transactions on Computer-Human Interaction*, 1:3-26 (Mar. 1994).
- Kinkley et al., "Touch-Sensing Input Devices," in CHI '99 Proceedings, pp. 223-230, 1999.
- Kionx "KXP84 Series Summary Data Sheet" copyright 2005, dated Oct. 21, 2005, 4-pgs.
- Lee et al., "A Multi-Touch Three Dimensional Touch-Sensitive Tablet," in CHI '85 Proceedings, pp. 121-128, 2000.
- Lee, "A Fast Multiple-Touch-Sensitive Input Device," Master's Thesis, University of Toronto (1984).
- Matsushita et al., "HoloWall: Designing a Finger, Hand, Body and Object Sensitive Wall," In Proceedings of UIST '97, Oct. 1997.
- Quantum Research Group "QT510 / QWheel™ Touch Slider IC" copyright 2004-2005, 14-pgs.
- Quek, "Unencumbered Gestural Interaction," *IEEE Multimedia*, 3:36-47 (Winter 1996).
- Radwin, "Activation Force and Travel Effects on Overexertion in Repetitive Key Tapping," *Human Factors*, 39(1):130-140 (Mar. 1997).
- Rekimoto "SmartSkin: An Infrastructure for Freehand Manipulation on Interactive Surfaces" CHI 2002, Apr. 20-25, 2002.
- Rekimoto et al., "ToolStone: Effective Use of the Physical Manipulation Vocabularies of Input Devices," In Proc. OFUIST 2000, 2000.
- Rubine et al., "Programmable Finger-Tracking Instrument Controllers," *Computer Music Journal*, vol. 14, No. 1 (Spring 1990).
- Rutledge et al., "Force-To-Motion Functions for Pointing," *Human-Computer Interaction—INTERACT* (1990).
- Subatai Ahmad, "A Usable Real-Time 3D Hand Tracker," Proceedings of the 28th Asilomar Conference on Signals, Systems and Computers—Part 2 (of2), vol. 2 (Oct. 1994).
- Texas Instruments "TSC2003 / I2C Touch Screen Controller" Data Sheet SBAS 162, dated Oct. 2001, 20-pgs.
- Wellner, "The Digital Desk Calculators: Tangible Manipulation on a Desk Top Display" in ACM UIST '91 Proceedings, pp. 27-34, Nov. 1991.
- Williams, "Applications for a Switched-Capacitor Instrumentation Building Block" Linear Technology Application Note 3, Jul. 1985, pp. 1-16.
- Yamada et al., "A Switched-Capacitor Interface for Capacitive Pressure Sensors" *IEEE Transactions on Instrumentation and Measurement*, vol. 41, No. 1, Feb. 1992, pp. 81-86.
- Yeh et al., "Switched Capacitor Interface Circuit for Capacitive Transducers" 1985 IEEE.
- Zhai et al., "Dual Stream Input for Pointing and Scrolling," *Proceedings of CHI '97 Extended Abstracts* (1997).
- Zimmerman et al., "Applying Electric Field Sensing to Human-Computer Interfaces," In CHI '85 Proceedings, pp. 280-287, 1995.
- U.S. Appl. No. 10/774,053, filed Feb. 5, 2004.
- U.S. Appl. No. 11/140,529, filed May 27, 2005 which is a Reissue of 6,570,557 listed above.
- U.S. Appl. No. 11/381,313, filed May 2, 2006 entitled "Multipoint Touch Surface Controller".
- U.S. Appl. No. 11/332,861, filed Jan. 13, 2006 which is a Reissue of 6,677,932 listed above.
- U.S. Appl. No. 11/380,109, filed Apr. 25, 2006 entitled "Keystroke Tactility Arrangement on Smooth Touch Surface."
- U.S. Appl. No. 11/428,501, filed Jul. 3, 2006 entitled "Capacitive Sensing Arrangement," which is a Continuation of US 2005/0104867 listed above.
- U.S. Appl. No. 11/428,503, filed Jul. 3, 2006 entitled "Touch Surface" which is a Continuation of US 2005/0104867 listed above.
- U.S. Appl. No. 11/428,506, filed Jul. 3, 2006 entitled "User Interface Gestures" which is a Continuation of US 2005/0104867 listed above.
- U.S. Appl. No. 11/428,515, filed Jul. 3, 2006 entitled "User Interface Gestures" which is a Continuation of US 2005/0104867 listed above.
- U.S. Appl. No. 11/428,522, filed Jul. 3, 2006 entitled "Identifying Contacts on a Touch Surface" which is a Continuation of US 2005/0104867 listed above.
- U.S. Appl. No. 11/428,521, filed Jul. 3, 2006 entitled "Identifying Contacts on a Touch Surface" which is a Continuation of US 2005/0104867 listed above.
- U.S. Appl. No. 11/426,078, filed Jun. 23, 2006 entitled "Electronic Device Having Display and Surrounding Touch Sensitive Bezel for User Interface and Control" which is a Continuation-In-Part of 2006/0197753 listed above.

US 7,663,607 B2

Page 5

U.S. Appl. No. 11/278,080, filed Mar. 30, 2006 entitled "Force Imaging Input Device and System".

U.S. Appl. No. 11/382,402, filed May 9, 2006 entitled "Force and Location Sensitive Display" which is a Continuation of U.S. Appl. No. 11/278,080 listed above.

International Search Report received in corresponding PCT application No. PCT/US2006/008349 Oct. 6, 2006.

International search report for International Application No. PCT/US2005/014364 mailed Jan. 12, 2005.

U.S. Appl. No. 12/267,522, filed Nov. 7, 2008, by Hotelling et al.

U.S. Appl. No. 12/267,532, filed Nov. 7, 2008, by Hotelling et al.

U.S. Appl. No. 12/267,540, filed Nov. 7, 2008, by Hotelling et al.

* cited by examiner

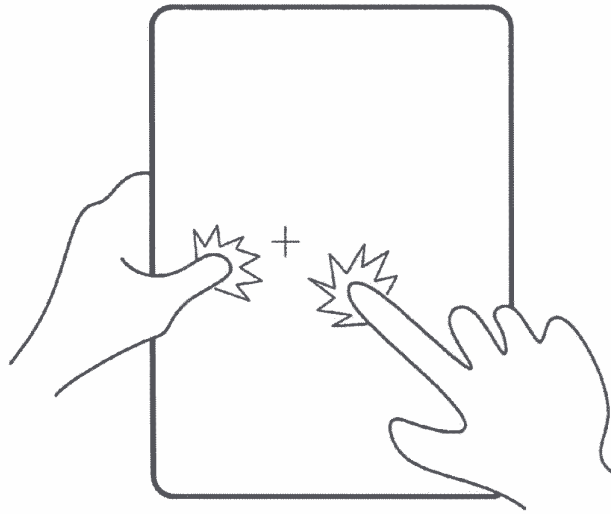


FIG. 1A

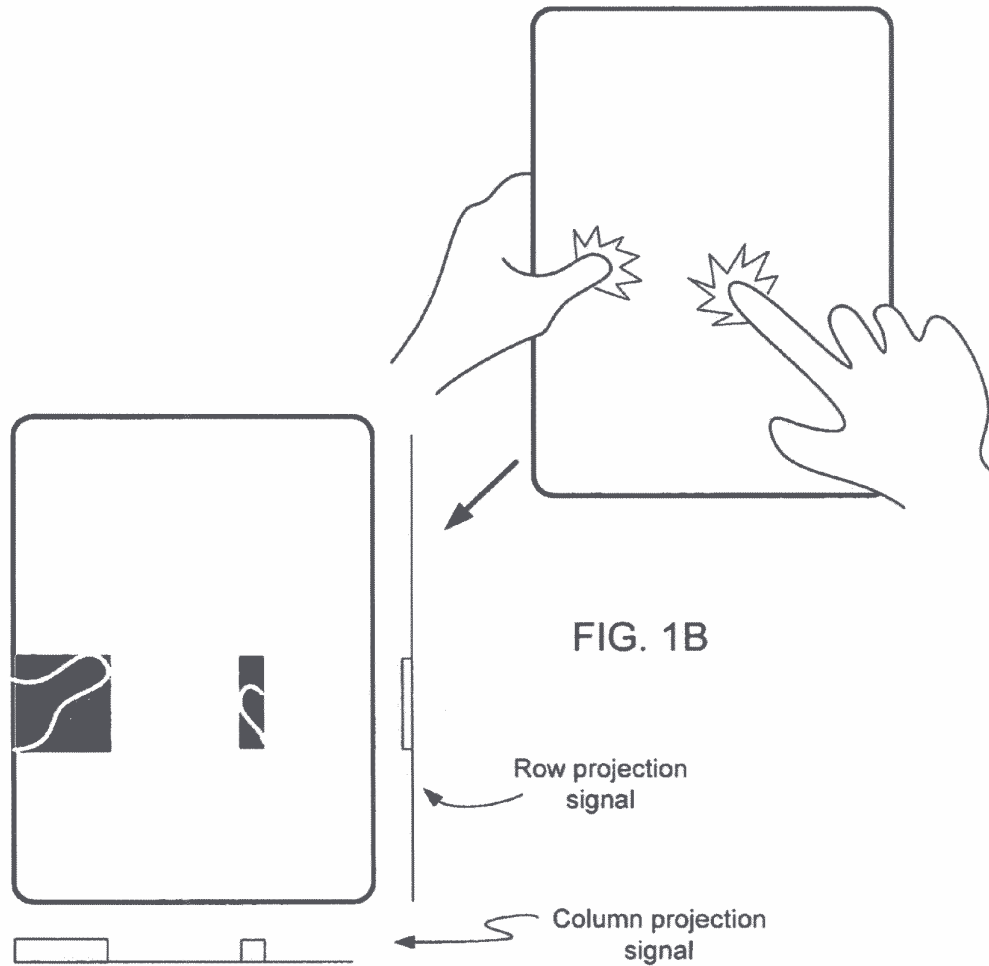


FIG. 1B

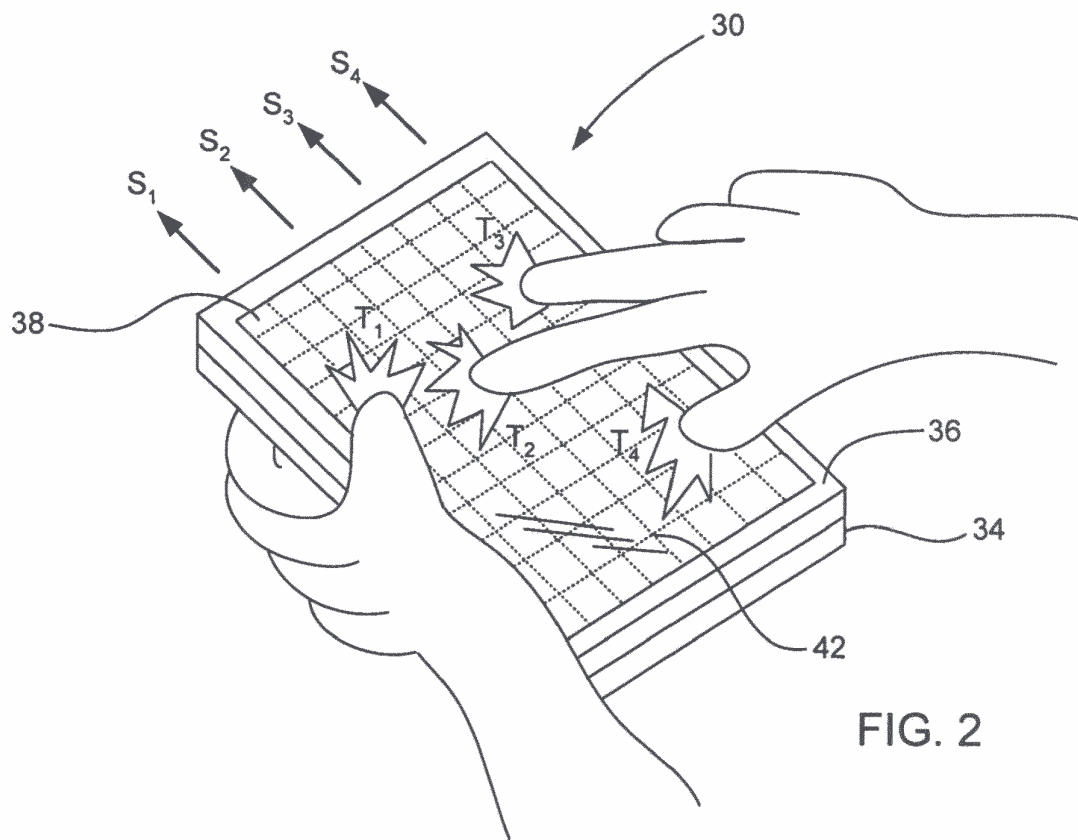


FIG. 2

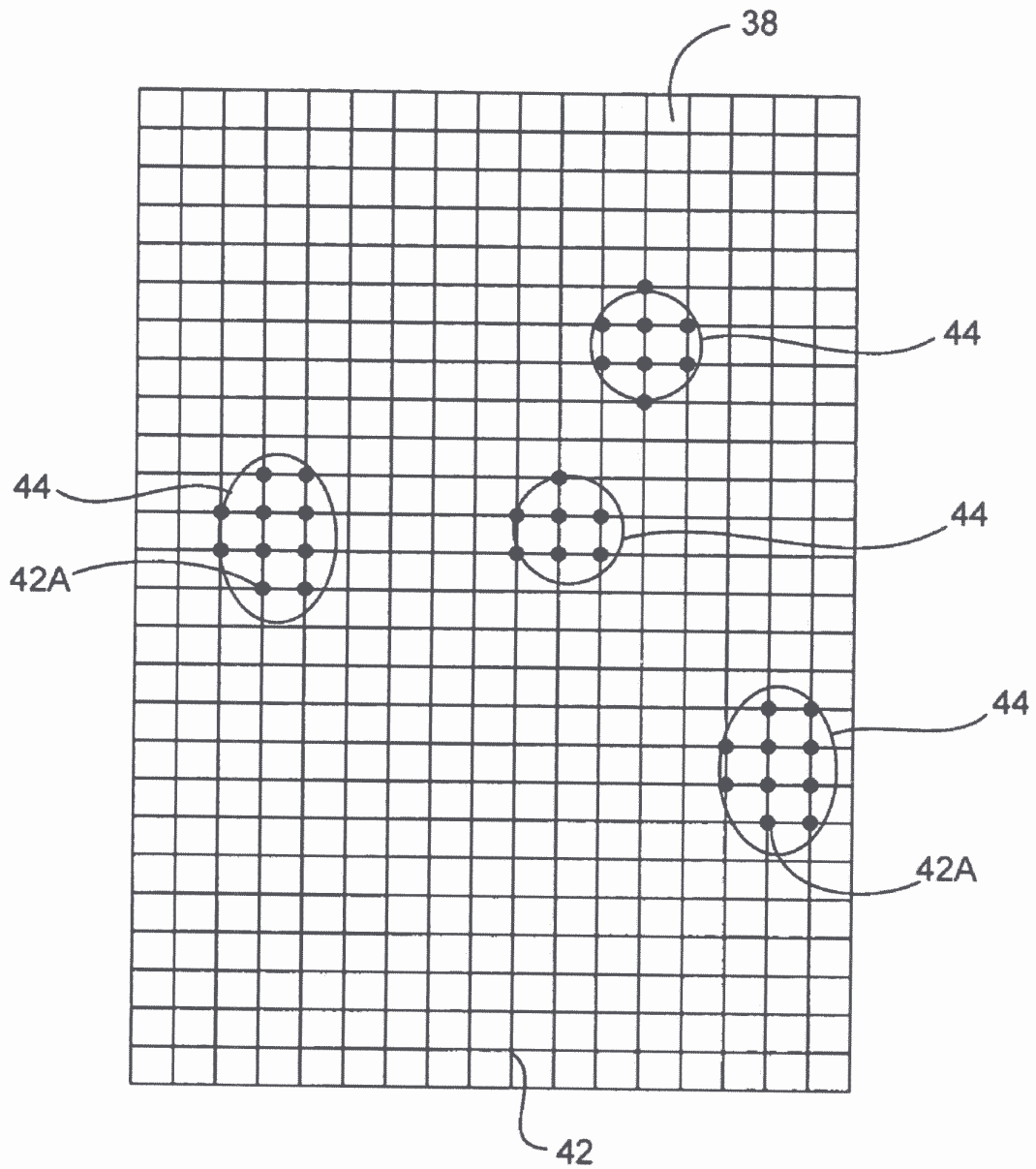


FIG. 3

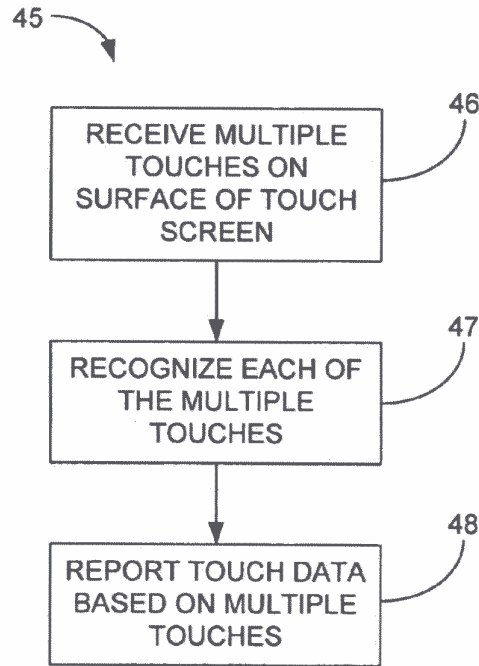


FIG. 4

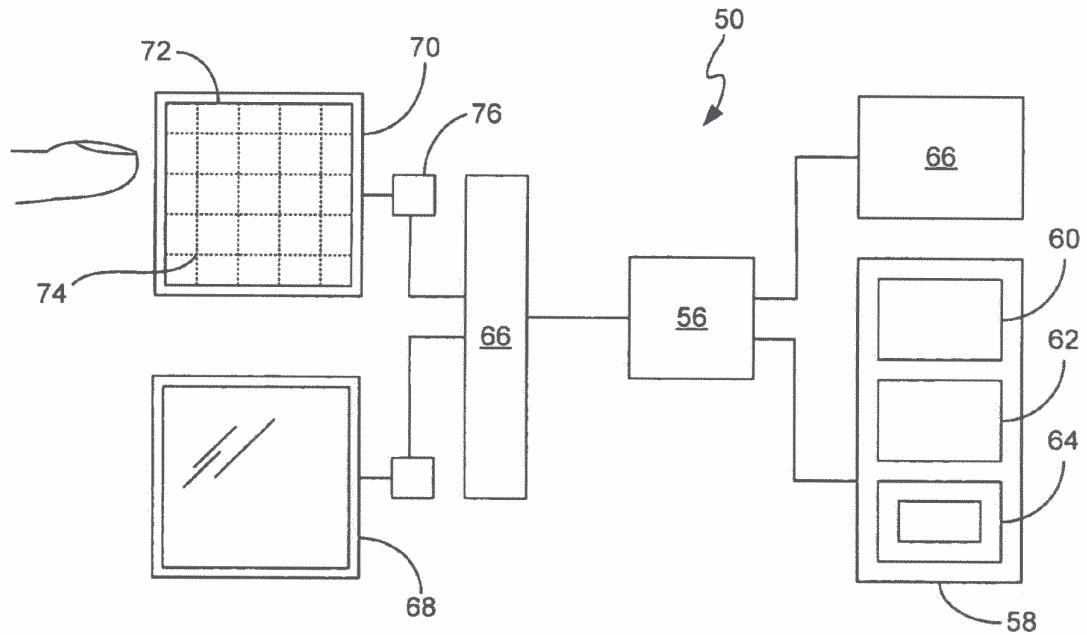
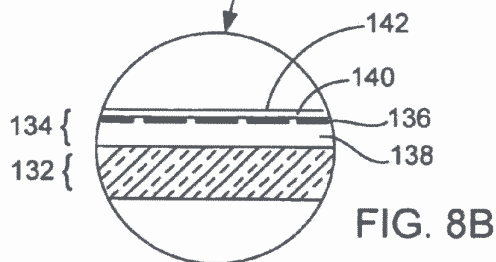
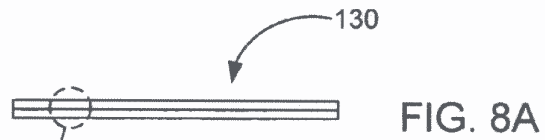
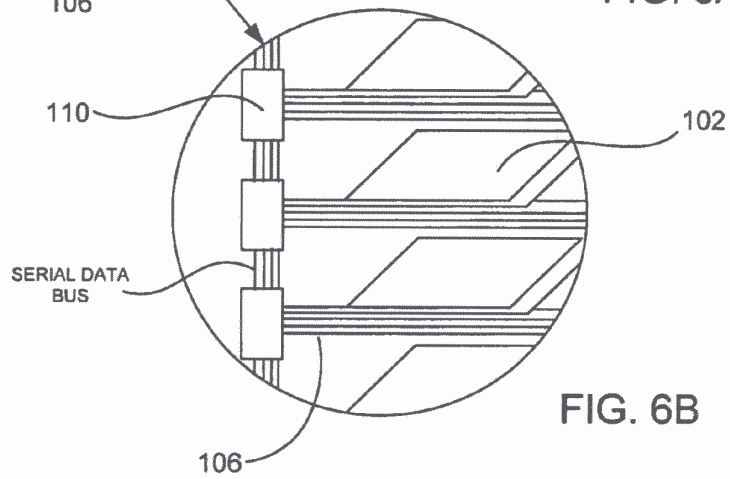
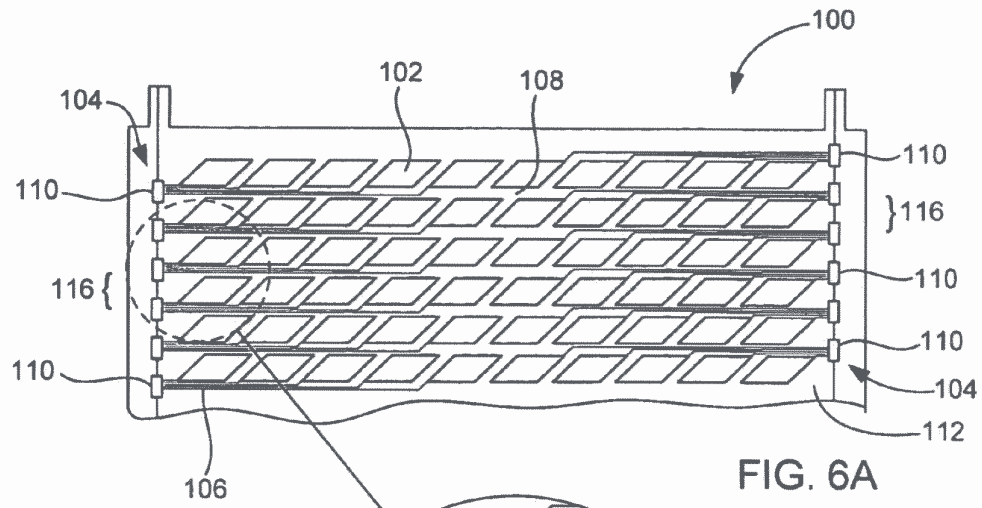


FIG. 5



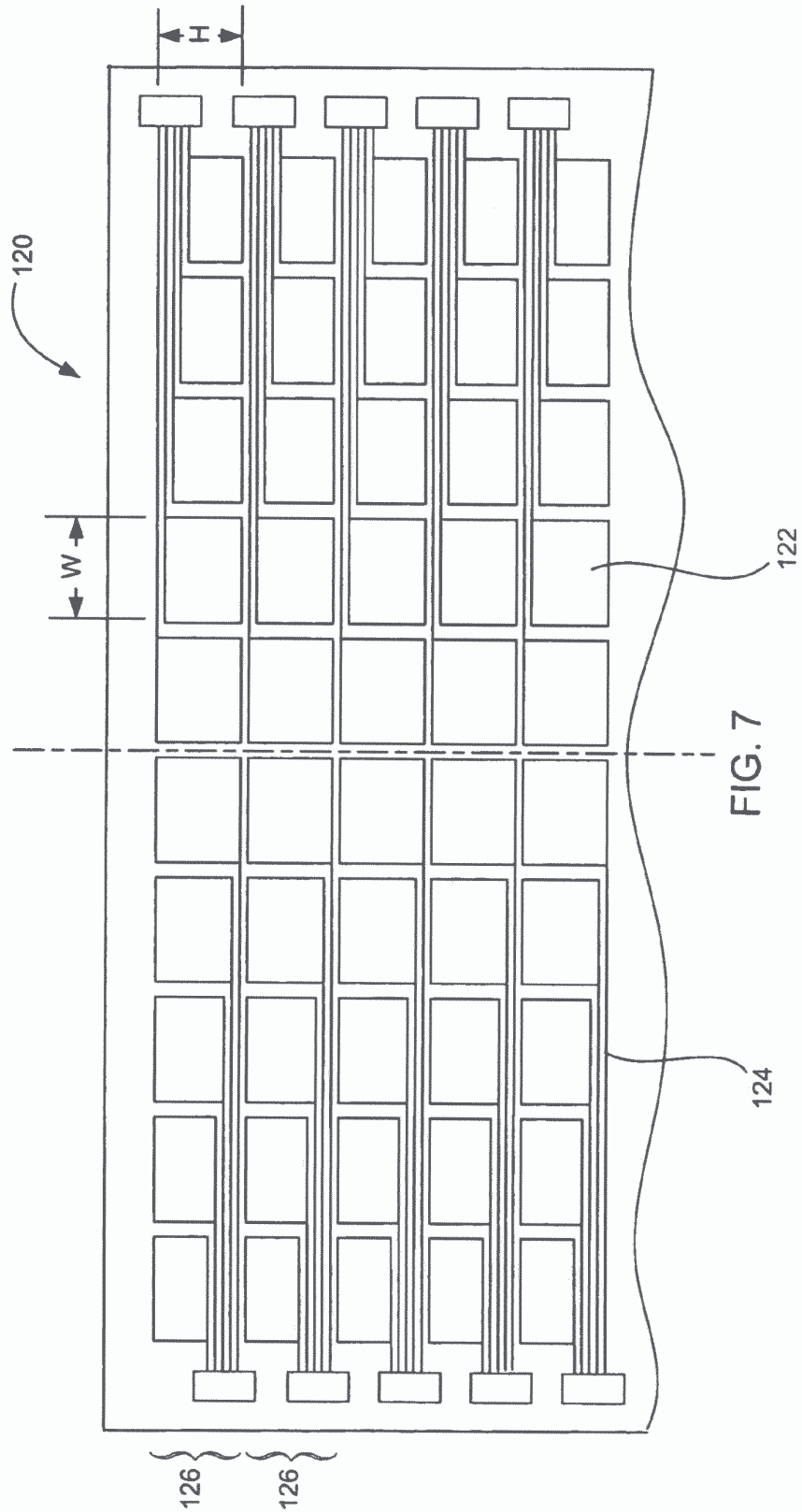
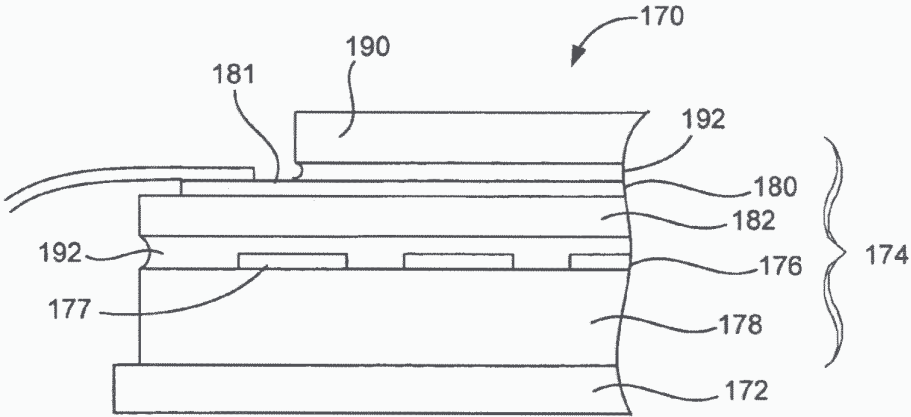
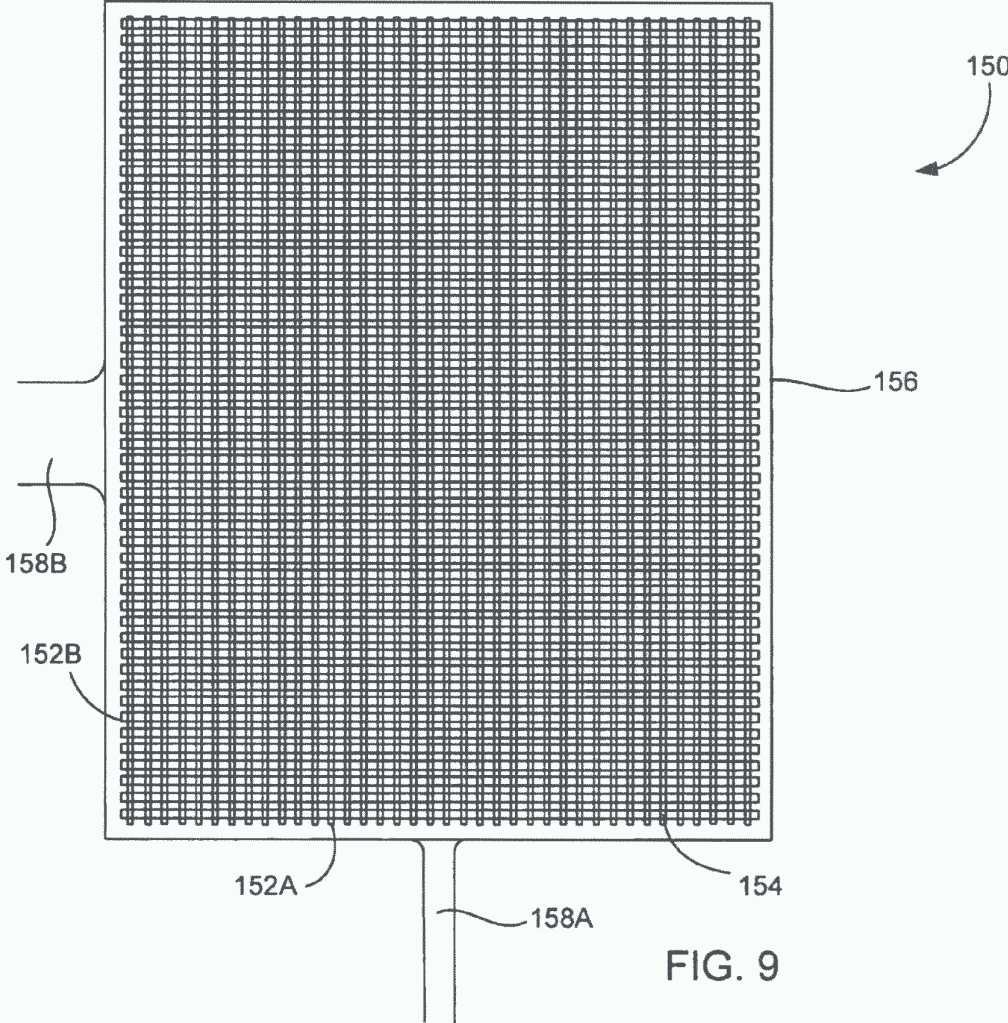


FIG. 7



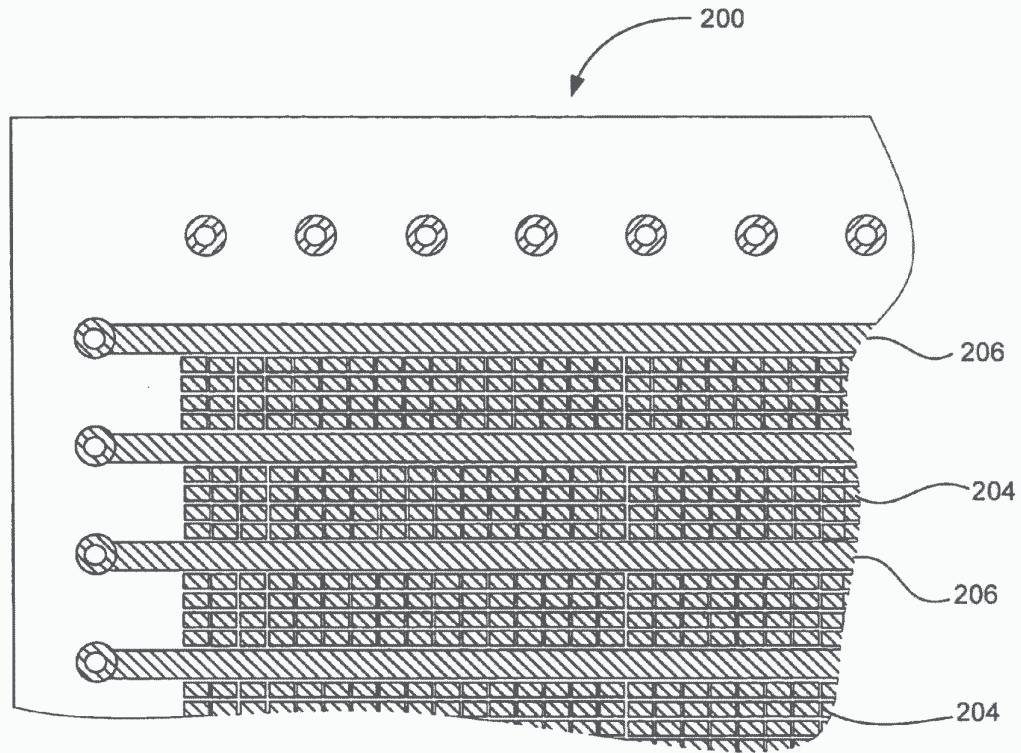


FIG. 11A

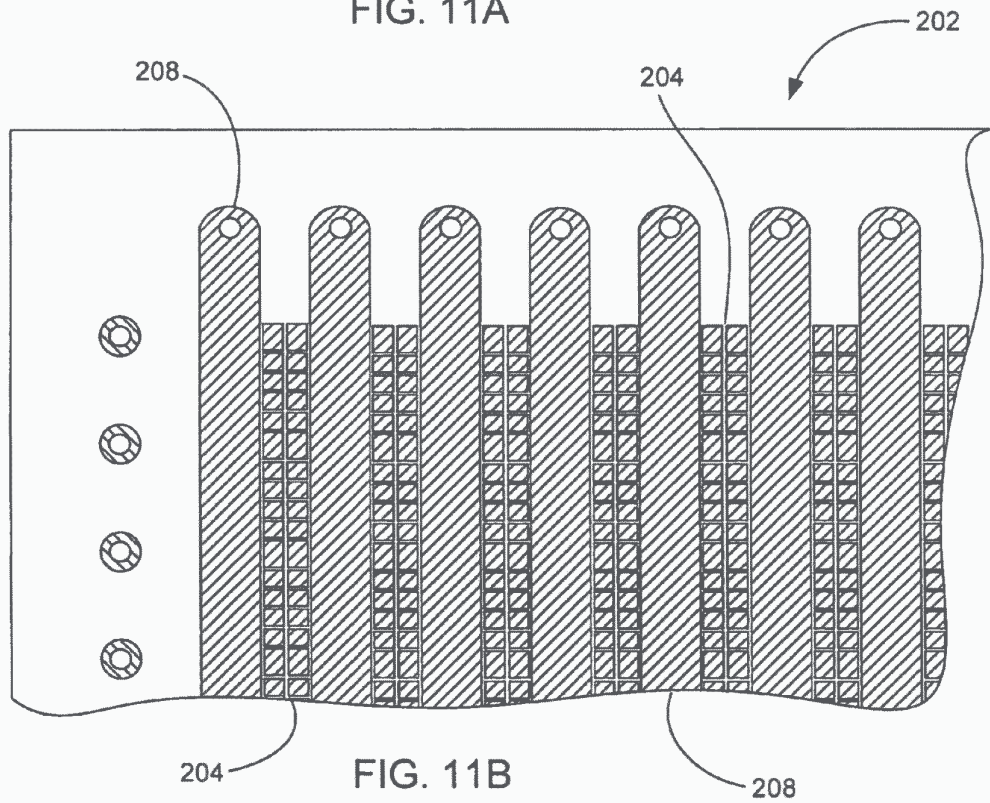


FIG. 11B