

EXHIBIT 28

Rockstar

Summer 2012 Sales Prospects

Selected Asset Catalogue

Executive Summary

Rockstar periodically identifies certain assets in our portfolio that may be more valuable to other parties. The assets listed herein are an initial set of assets under Rockstar's management that the company feels may be of interest to those parties who are looking to acquire patents. Rockstar acquired the patents from Nortel Networks in a bankruptcy auction in the summer of 2011.

Nortel was a vendor of communications equipment spanning a range of technologies from optical to wireline to wireless and from consumer to enterprise to service provider networks. Nortel, a prolific inventor, conducted a great deal of high quality research and development in the company's 100+ year existence. The company had over 10,000 R&D employees and invested more than \$30 billion in R&D between 1995 and 2010.

The patents listed herein are but a small portion of the Rockstar portfolio and arose from various R&D projects by Nortel in the late 1990s and early 2000s.

Patents listed herein represent the following market areas:

- Social Networking – Identification of Contacts
- Display Technology – Controllable Variable Backlighting



Disclaimer

This information package is provided for information and illustrative purposes only, intended to provide informal guidance to potential purchasers of the possible application and potential use of the technology described in the patents available for sale. This information package and any other communications with Rockstar and its representatives regarding these patents should not be interpreted nor construed to express any opinion regarding the use of the patented technology by any product or company mentioned herein, does not constitute a legal or professional opinion regarding infringement, validity or representation of any kind, and is subject to change. It is provided solely for the use of persons or companies to perform their independent evaluation of the acquisition opportunities, and by accepting and using this information, parties acknowledge that they are completely responsible for performing full and complete due diligence on all aspects of the patent portfolio prior to purchase, and especially with respect to validity, infringement and market application of the portfolio.



Table of Contents

US Patent 7,627,102 – Recursive Identification of Individuals for Casual Collaborative Conferencing 1

US Patent 6,175,353 – Display Apparatus 2

Sales Process and Timeframe Guidelines 3



US Patent 7,627,102 – Recursive Identification of Individuals for Casual Collaborative Conferencing

Inventors: Craig Alexander Will

Application Date: July 23, 2003

Issue Date: December 1, 2009

Market & Technology

Social networking services from firms such as Facebook, LinkedIn and Twitter capitalize on the network effect whereby the value of the service is exponentially increased with an increase in the number of users who use it. The concept of a recursive identification of contacts described in the '102 patent are primarily used today in social networks, but have the ability to extend to various communication systems used by consumers and business users.

Representative Claims

1. A method for real-time communication among two or more individuals separated in space, comprising:

- determining that a first individual is likely to be interested in communicating with a second individual via a first communications link;
- retrieving information via the first communications link about one or more additional individuals from electronic memory means associated with the second individual; and
- establishing communication with at least one of the additional individuals based on the retrieved information.

2. The method of claim 1 wherein the step of determining that a first individual is likely to be interested in communicating with a second individual via a first communications link comprises the step of:

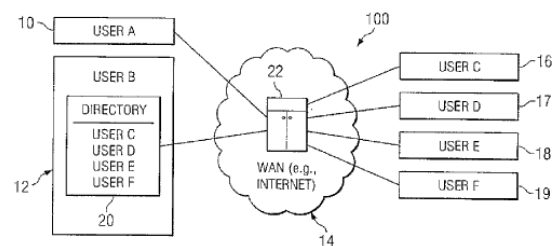
- establishing communication between the first individual and the second individual.

6. The method of claim 2 wherein the communication established between the first and second individuals comprises exchanges of text messages.

22. A communication system comprising:

- a server connected to a wide area network (WAN) for receiving from a first user an identification of a second user, and for sending to the first user, via a communications link connected to the server, information about one or more additional individuals from memory associated with the second user, and for assisting in communication between the first user and the one or more additional individuals.

Priority Date: August 10, 1999





US Patent 6,175,353 – Display Apparatus

Inventors: Henry Hoeksma

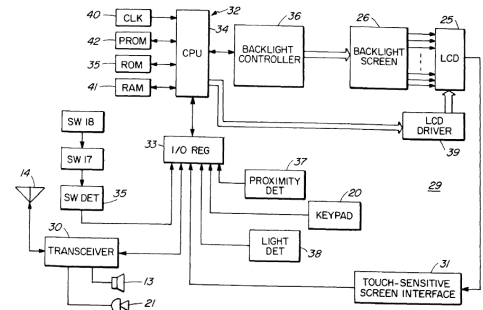
Application Date: January 19, 1999

Priority Date: March 14, 1997

Issue Date: January 16, 2001

Market & Technology

One of the most interesting and valuable inventions in the '353 patent relates to the concept of backlighting a controllably variable area of the screen. Discrete portions of the backlighting are constructed in such a way so that they can be separately energized in order to provide backlighting to a variable amount of the screen. This technology is being employed to both provide enhanced blacks and conserve power in LED backlit TVs.



Representative Claims

1. Display apparatus, comprising in combination:

- a transparent viewing screen having a reflective substrate adapted to form transitory opaque symbols thereon in response to respective ones of input data signals;
- means for applying the data signals to selected portions of the substrate;
- illumination means disposed in registry with the screen for backlighting the substrate in response to respective ones of input control signals; and
- control means coupled with the illumination means for applying the control signals thereto to illuminate a controllably variable area of the illumination means against which the symbols on the substrate can be viewed.

11. A method for viewing a transparent screen having a reflective substrate adapted to form transitory opaque symbols thereon in response to respective ones of input data signals, and illumination means positioned in registry with the screen for backlighting a predetermined portion of the substrate in response to respective ones of control signals input to the illumination means, comprising the steps of:

- generating the control signals in coincidence with the data signals;
- applying the data signals to selected portions of the substrate; and
- applying the control signals to the illumination means concurrently with the data signals at the substrate for illuminating a controllably variable area of the illumination means against which corresponding ones of the symbols on the substrate can be viewed.



Sales Process Guidelines

Rockstar does not commit to sell any assets by way of this publication.

All interpretations of claims relative to existing products and services are the entire responsibility of the purchaser.

Buyers are entirely responsible to perform their own due diligence of the assets. Rockstar does not warranty any inferences or statements regarding infringement or validity with respect to the assets.

The patents may be subject to a set of pre-existing licenses between Nortel or Rockstar and various parties; any encumbrances will be disclosed only under NDA. Rockstar will respond to other specific inquiries, including information regarding evidence of use, to the best of our ability when requested by a potential buyer.

For any additional information, NDA requests, to express interest in or submit an offer for these or any other Rockstar patents, please contact:

David Smith

Director, Patent Sales and Acquisitions

Email: patentsales@ip-rockstar.com

Direct: (613) 576 1008

Mobile: (613) 294 2482