

LEADP102USA

ABSTRACT OF THE DISCLOSURE

A data management tool. The tool a unified, horizontal system for communications, organization, information processing, and data storage. The tool operates seamlessly with existing platforms, and is a common workflow layer that is automated with a scalable, relational database. The tool uses one or both of a relational and object database engine that facilitates at least many-to-many relationships among data elements. The highest contextual assumption is that there exists an entity that consists of one or more users. The data storage model first assumes that files are associated with the user. Thus, data generated by applications is associated with an individual, group of individuals, and topical content, and not simply with a folder, as in traditional systems.

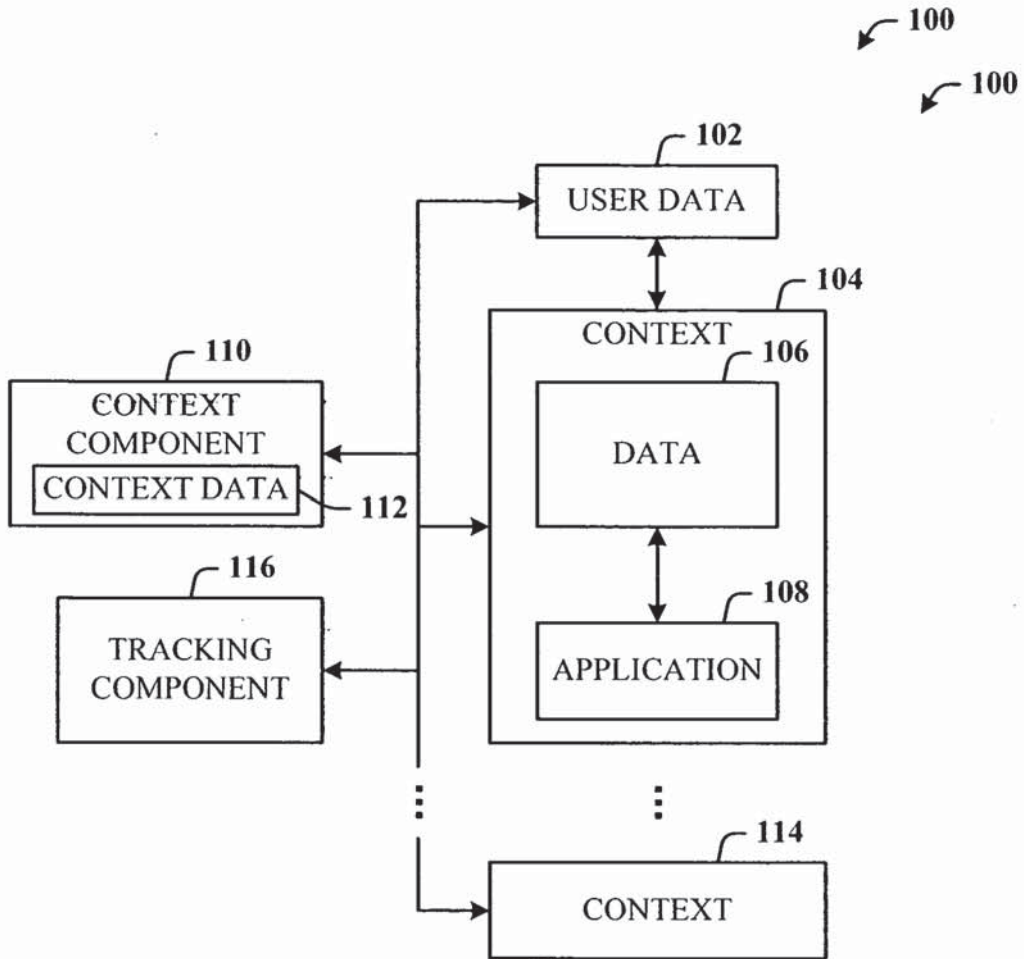


FIG. 1

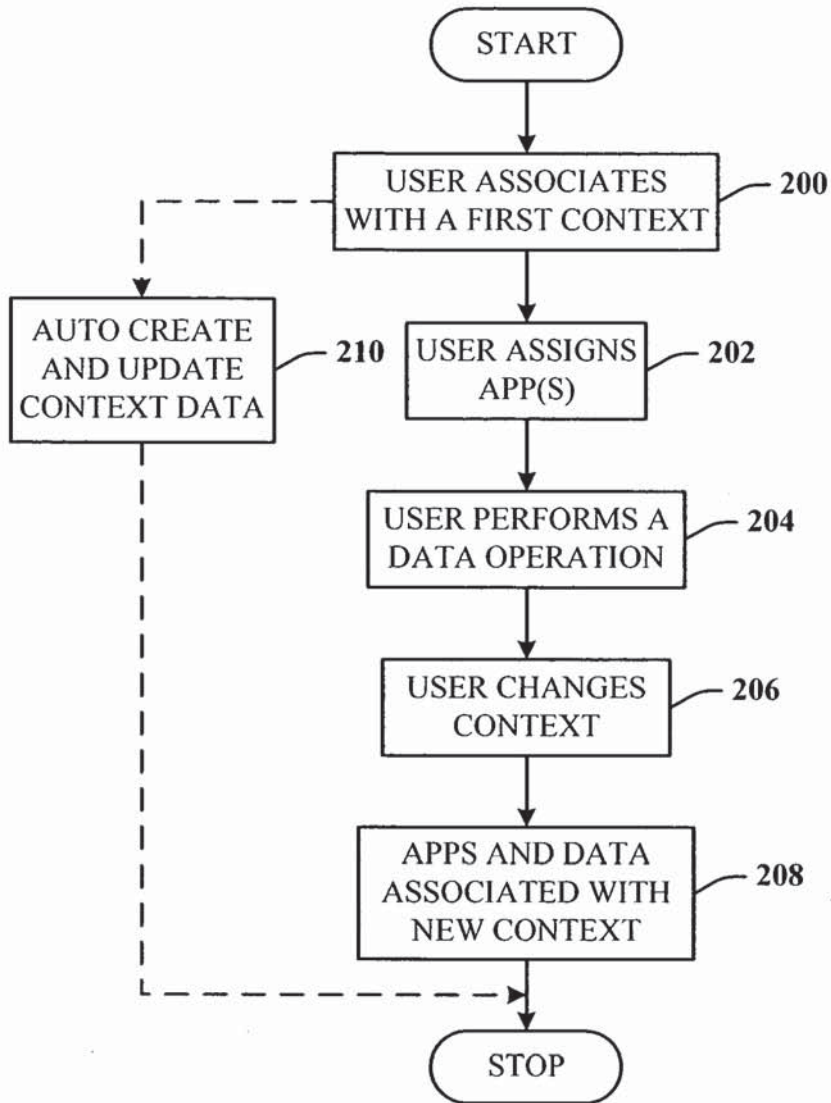


FIG. 2

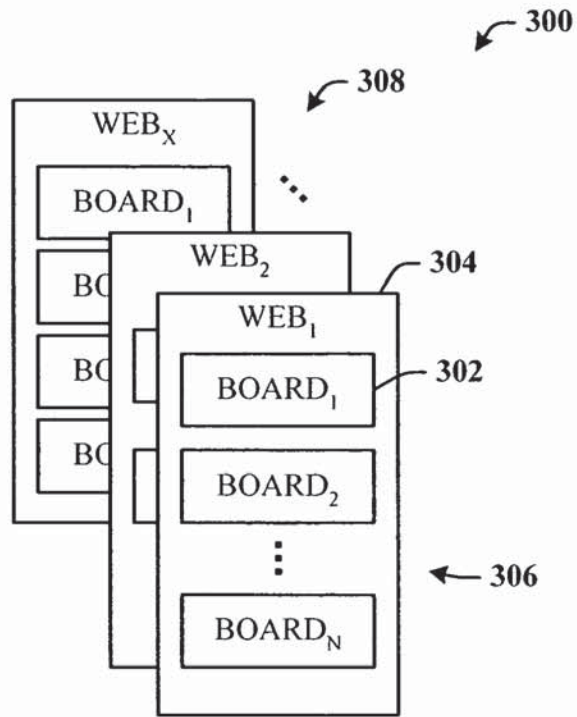


FIG. 3

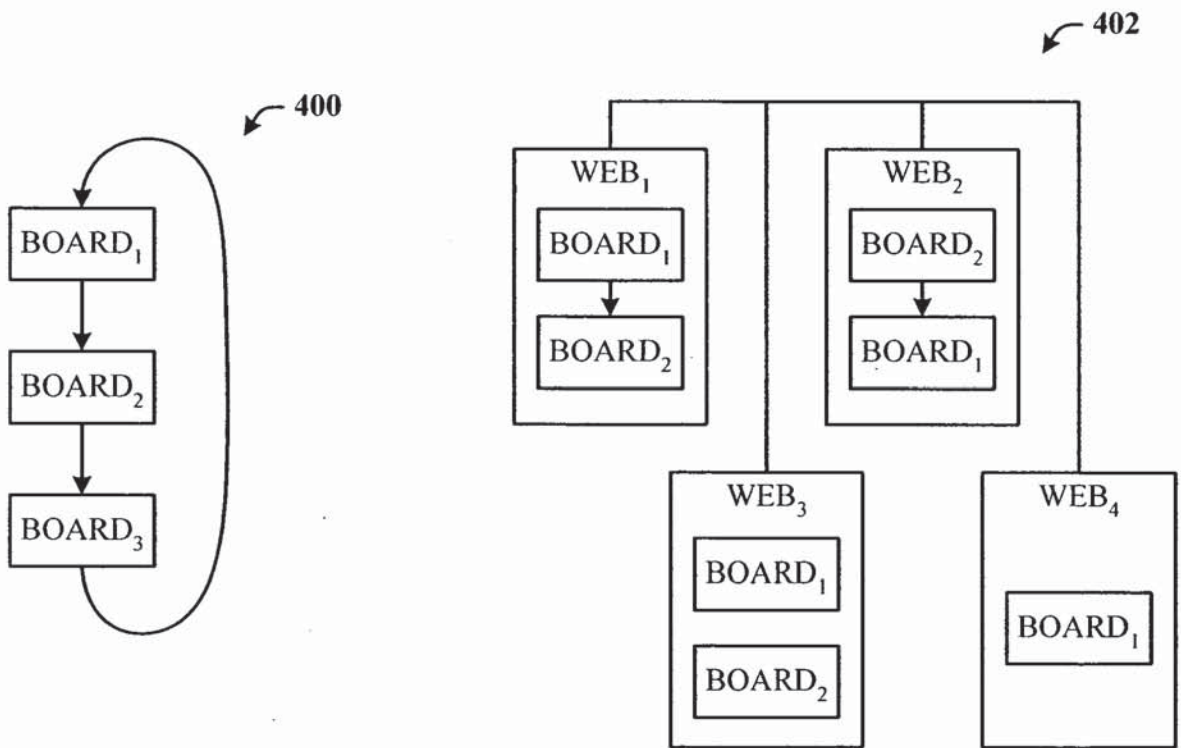


FIG. 4A

FIG. 4B

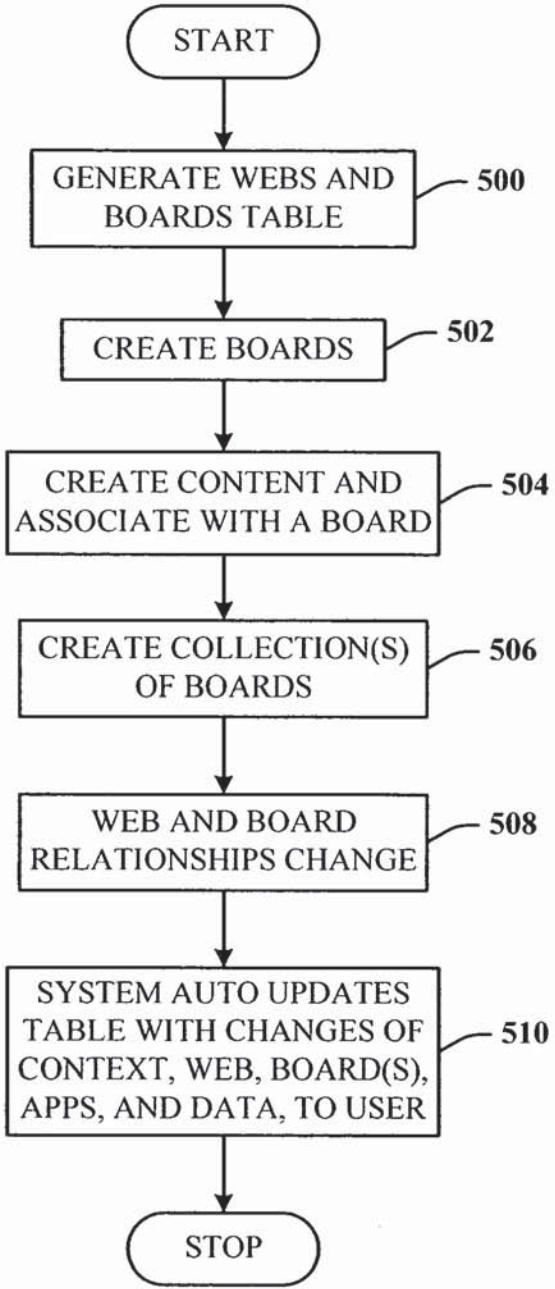


FIG. 5

600

WEBS AND BOARDS TABLE			
USER(S)	WEB(S)	BOARD(S)	BOARD(S) P/C RELATION
1,2,3	W1	B11, B12, B14	B11: B12; B14
6	W2	B23, B25	NA
7,8	W1,W3	B36,B37	B36:B37;B36

FIG. 6

700

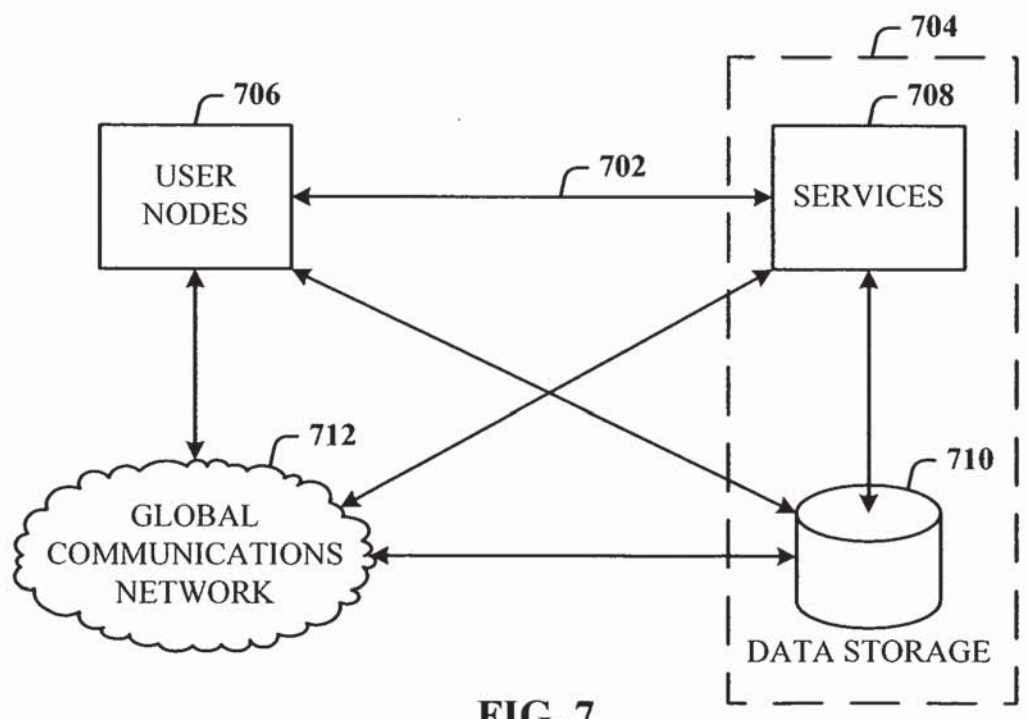


FIG. 7

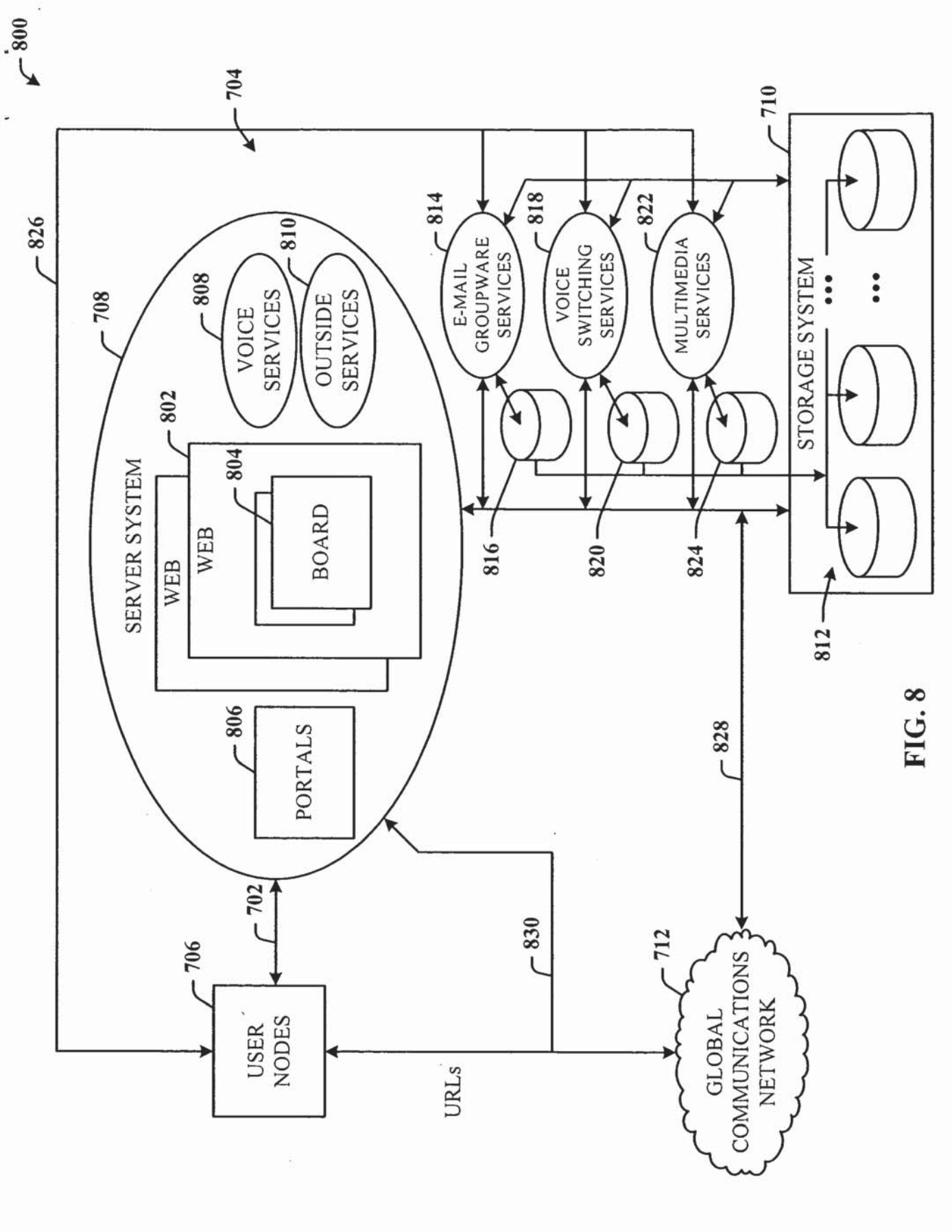


FIG. 8

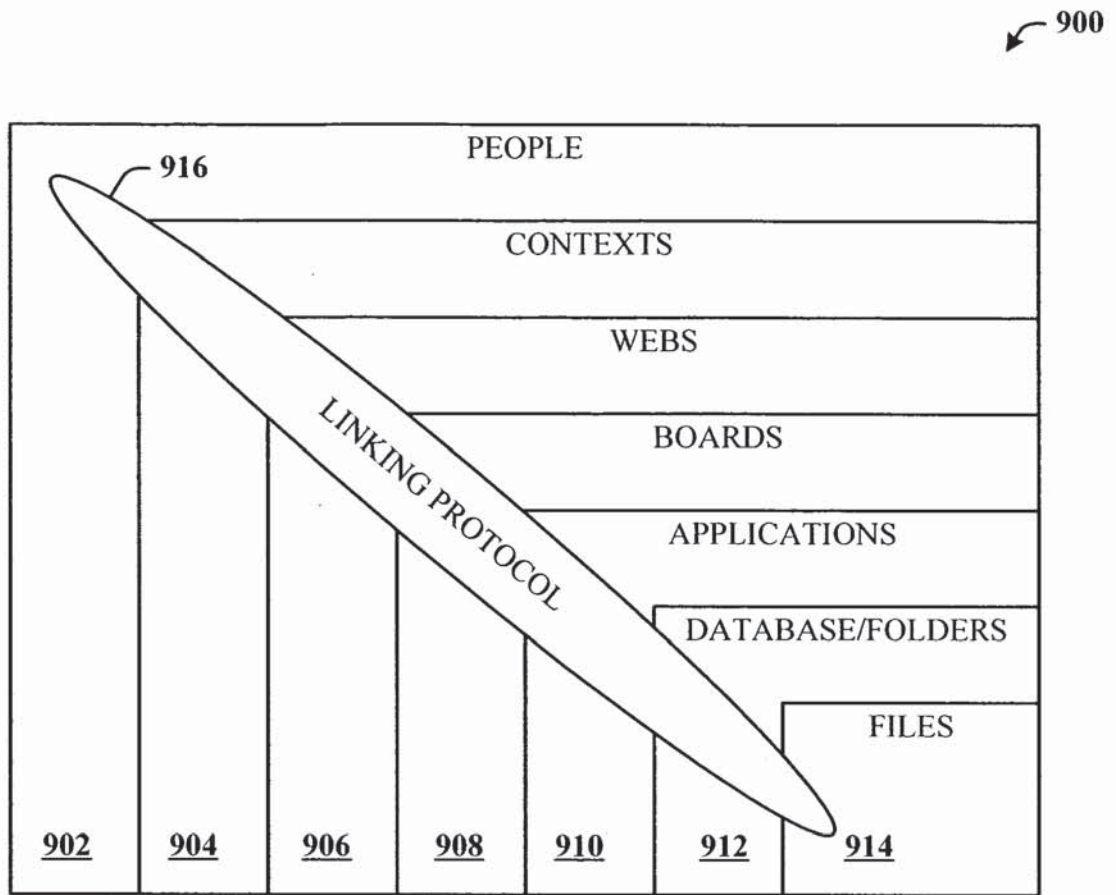


FIG. 9

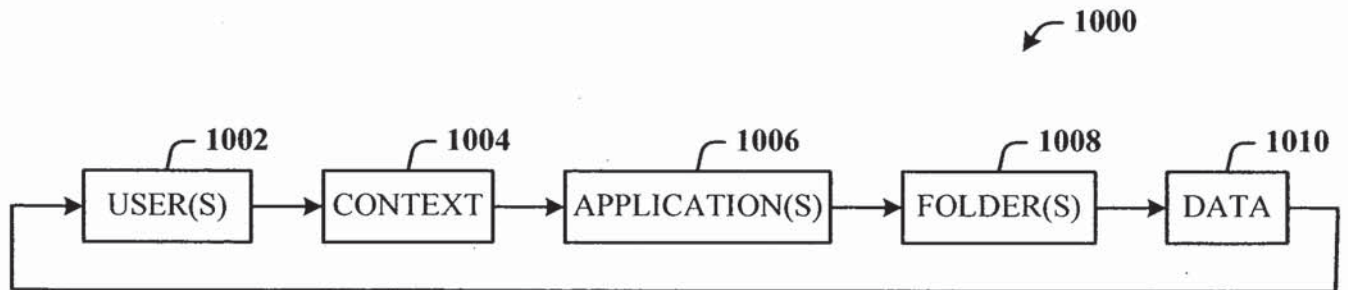


FIG. 10

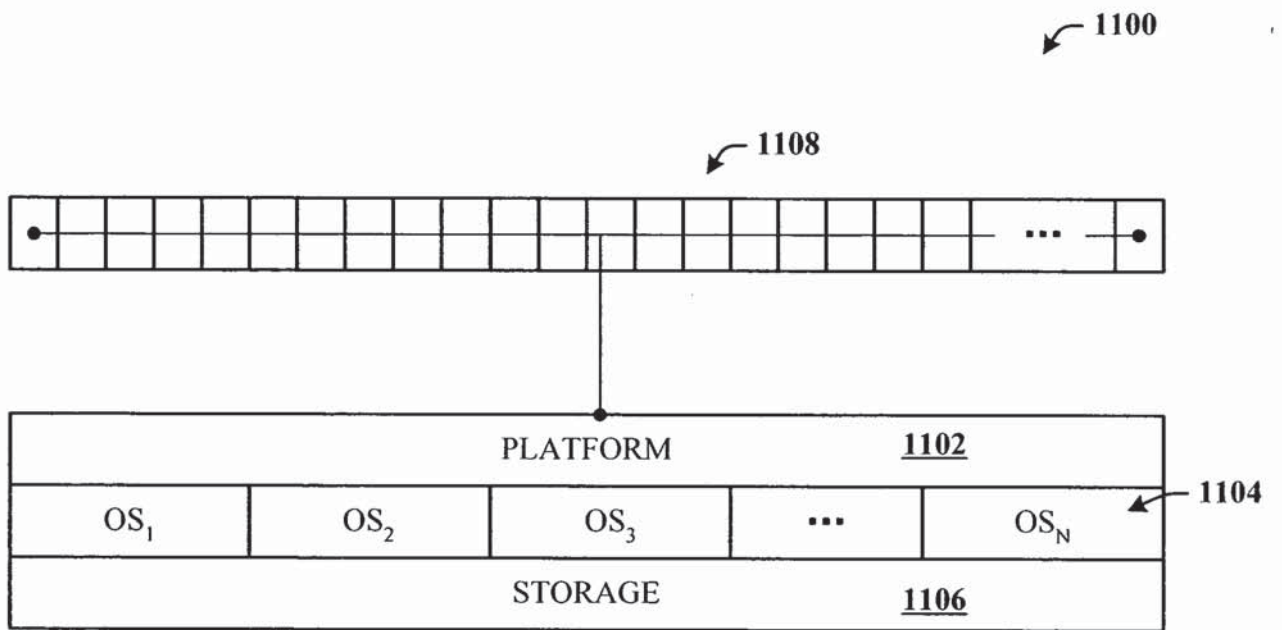


FIG. 11

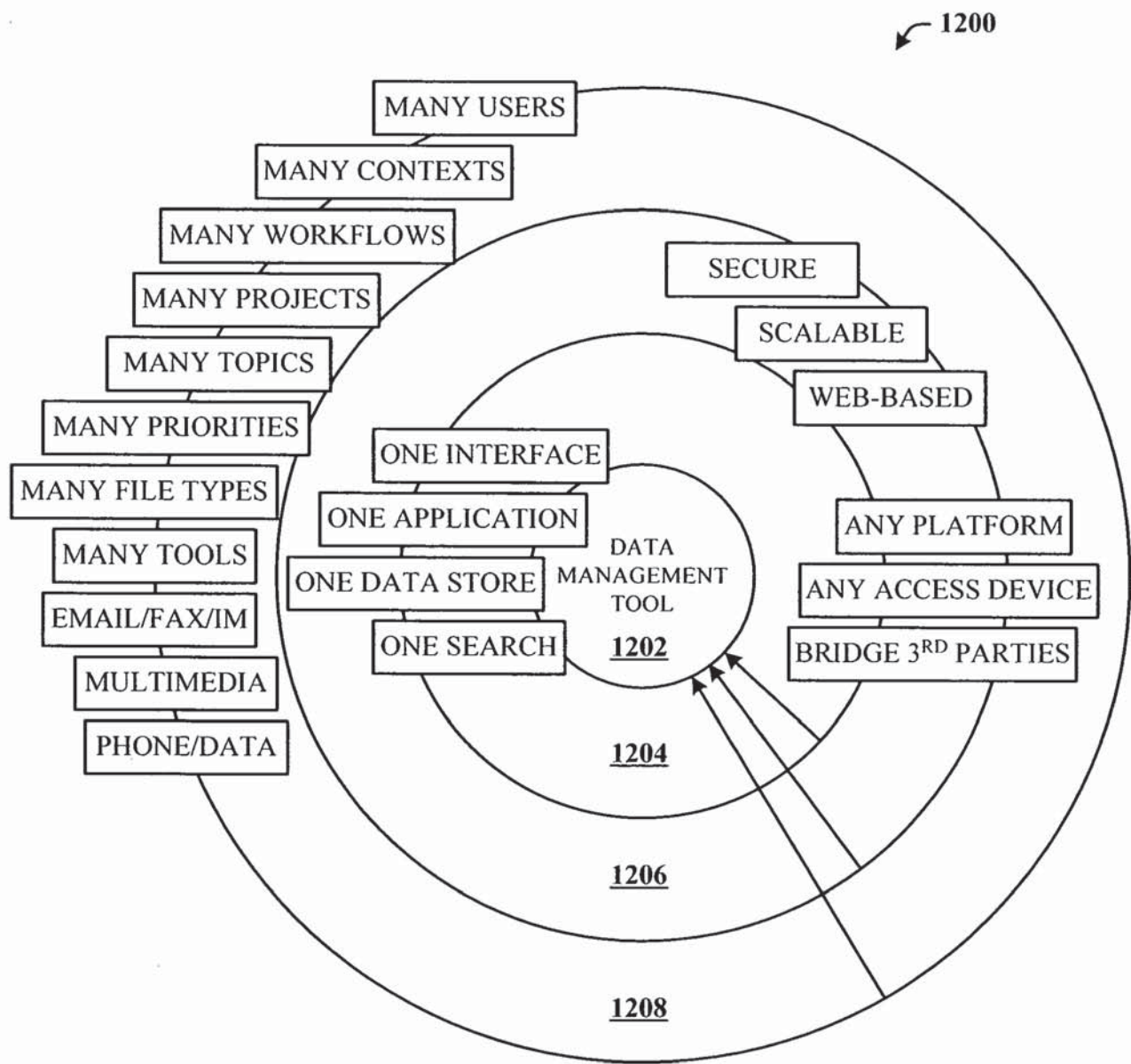


FIG. 12

1300

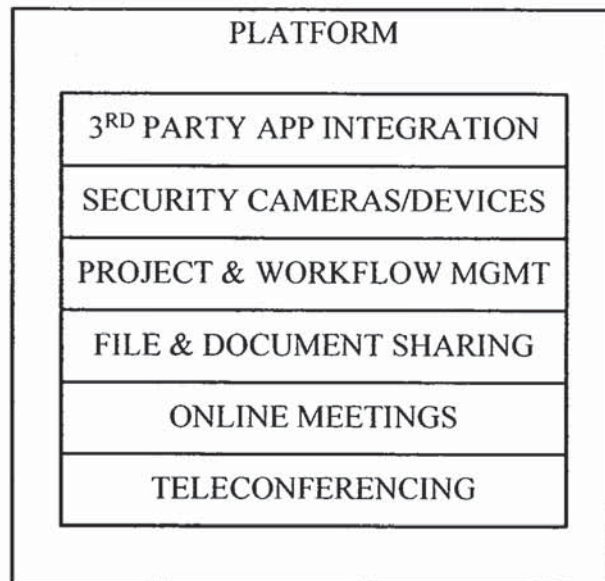


FIG. 13

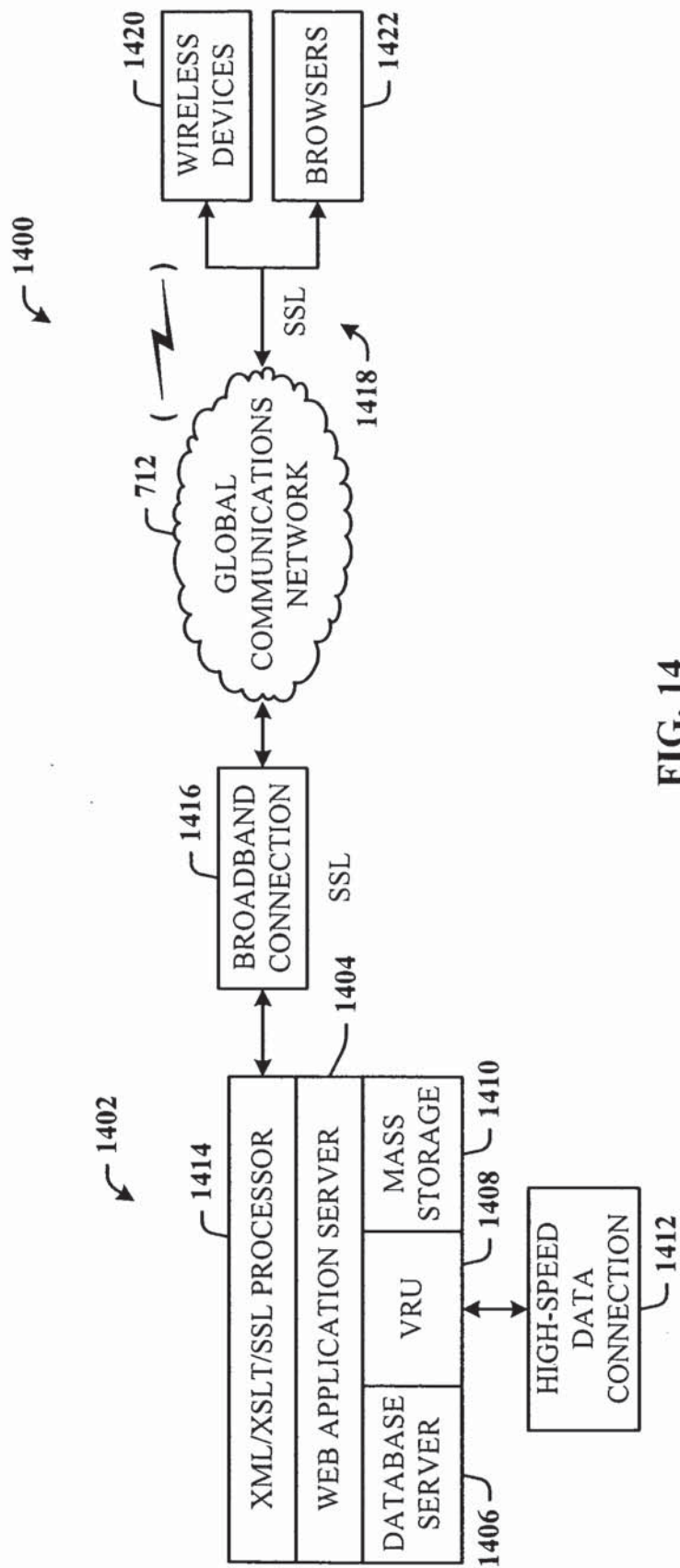


FIG. 14

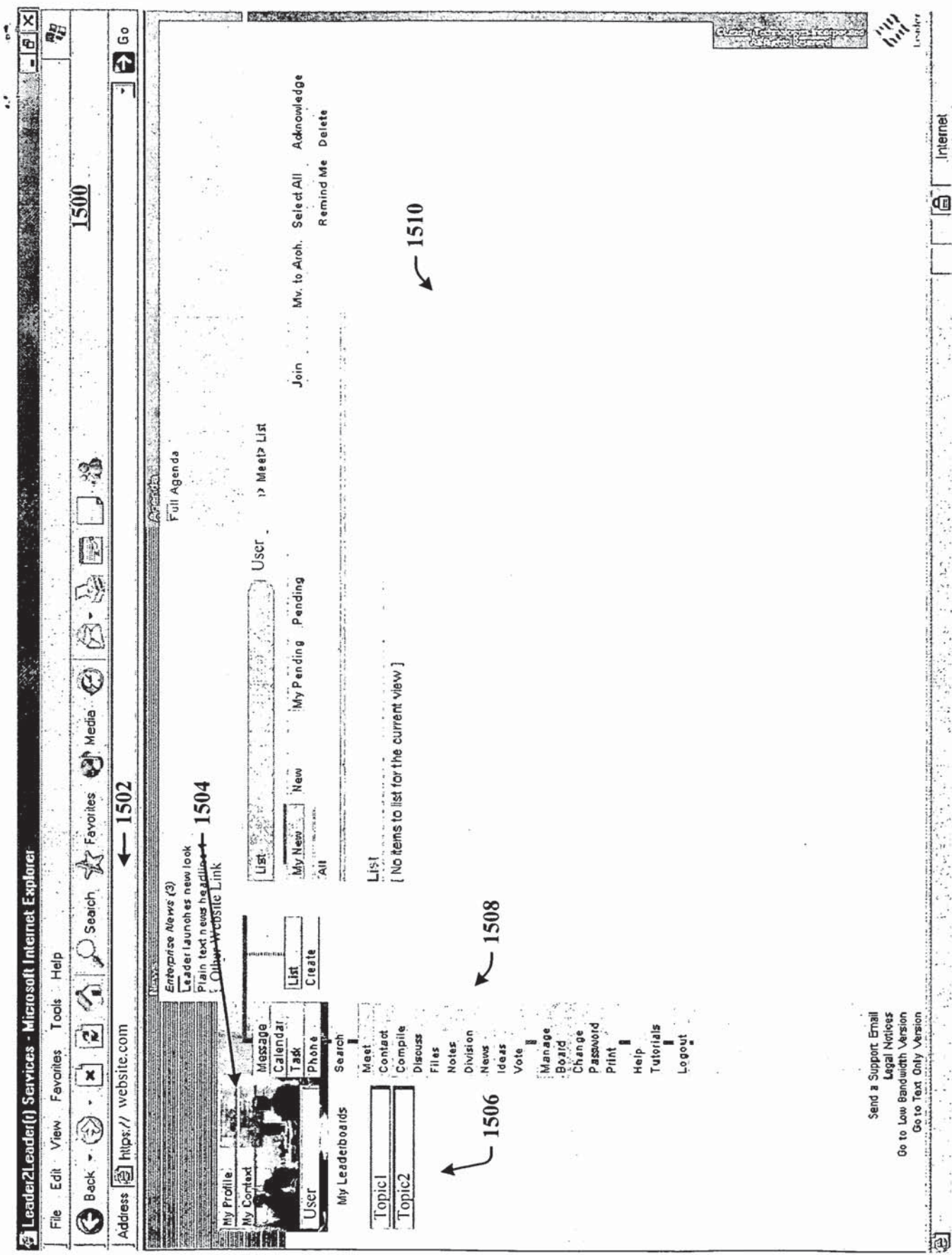


FIG. 15

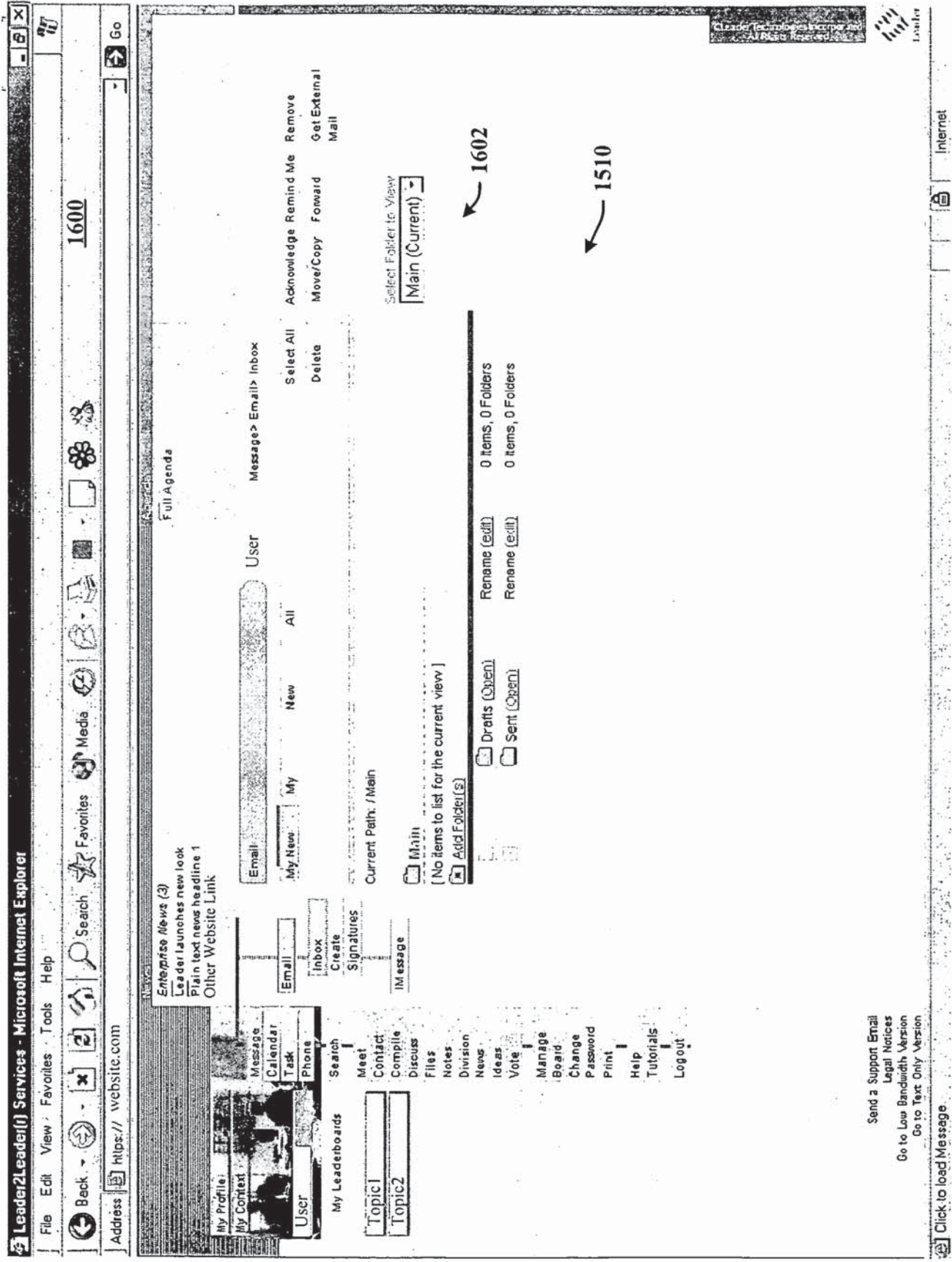


FIG. 16

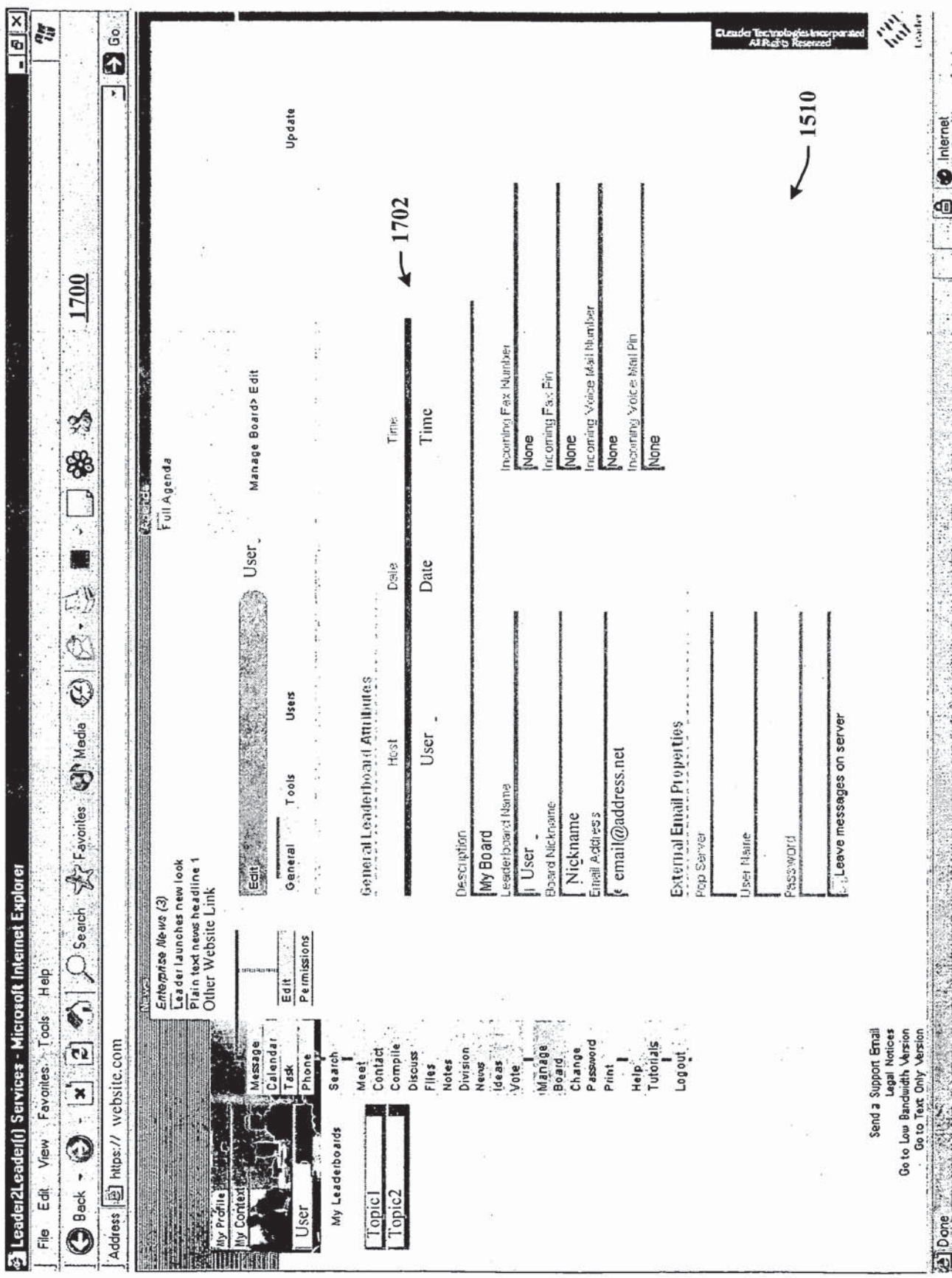


FIG. 17

AVAILABLE COPY

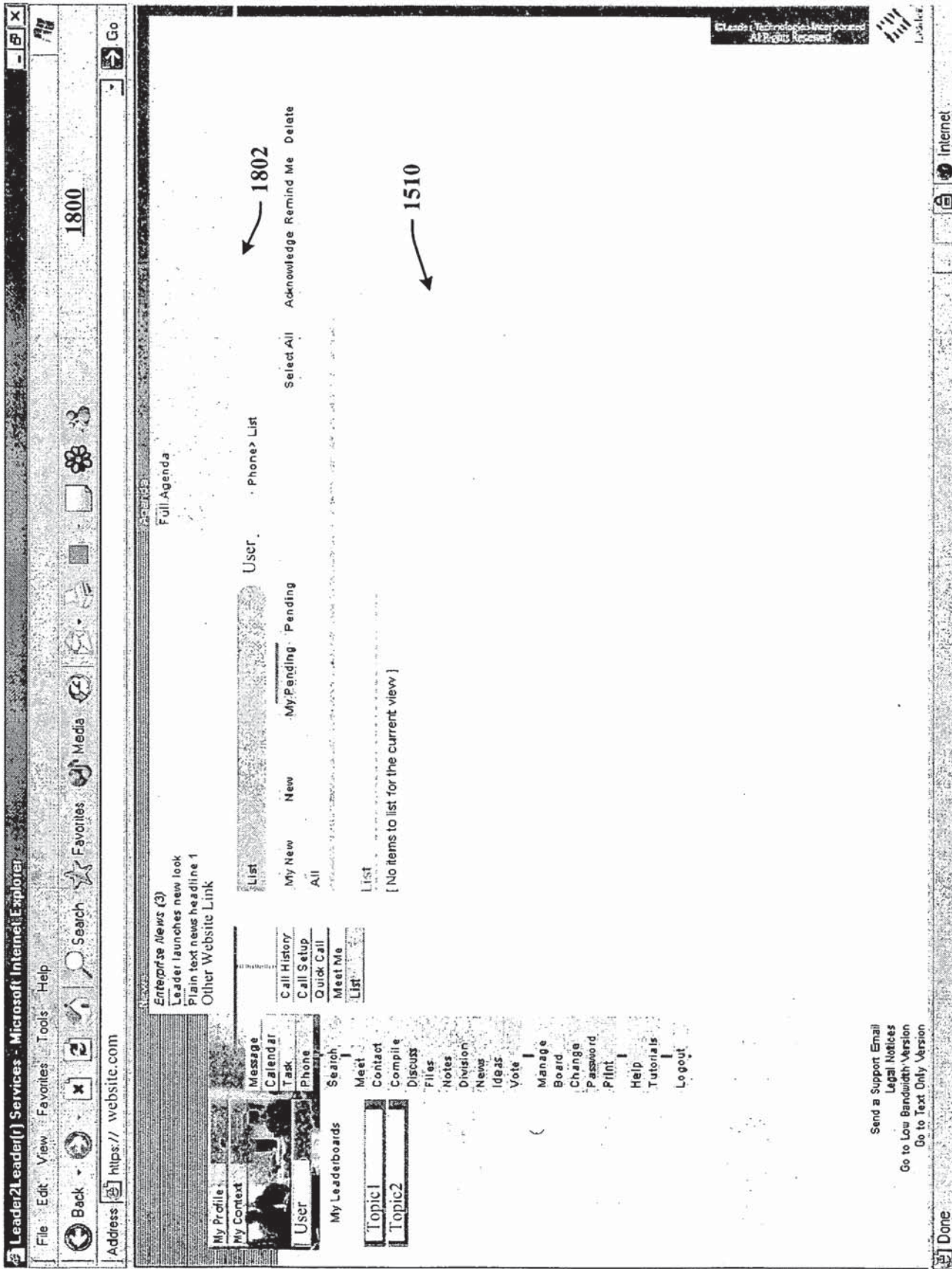


FIG. 18
 BEST AVAILABLE COPY

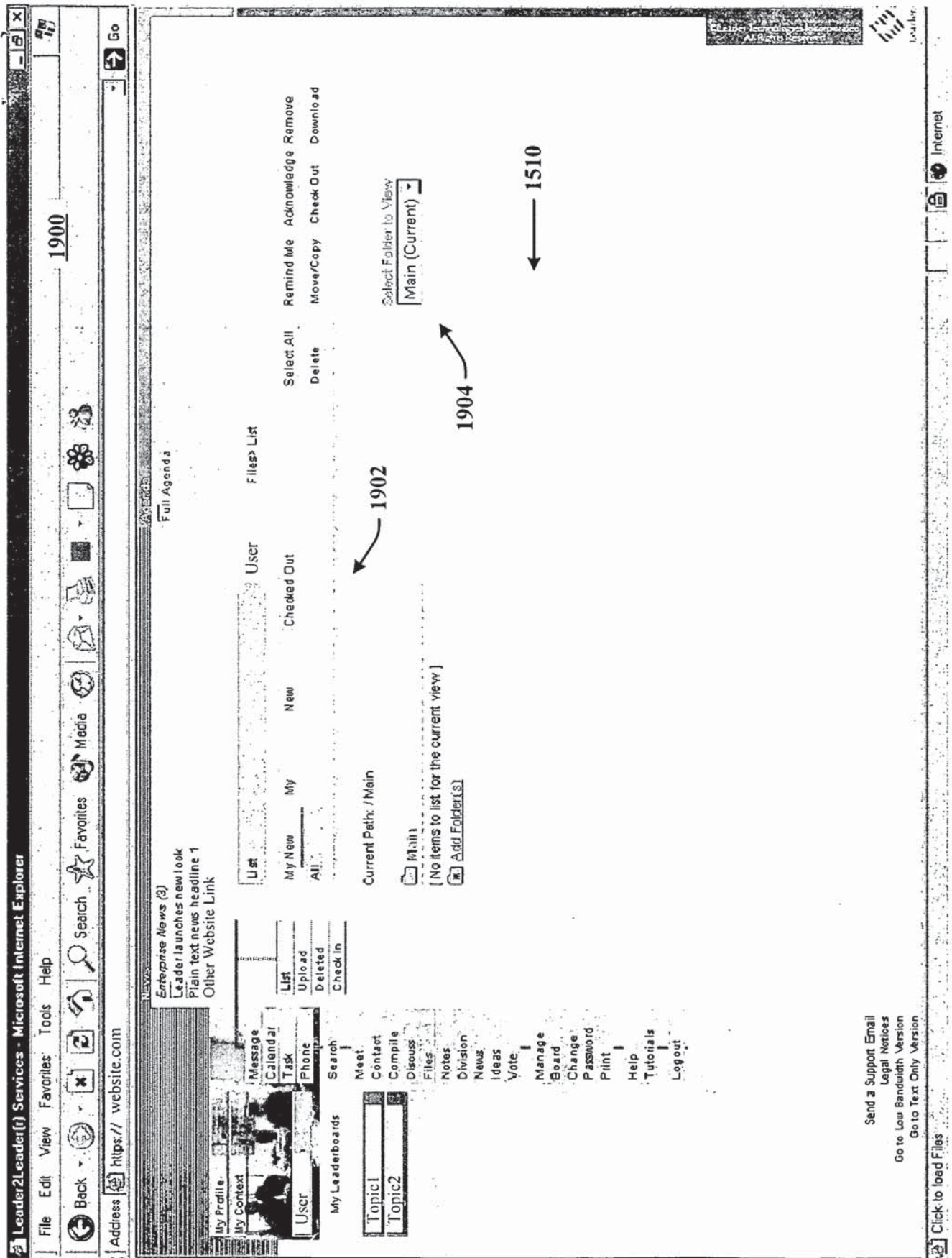


FIG. 19

Leader2(Leaderf) Services - Microsoft Internet Explorer

File Edit View Favorites Tools Help

Back Forward Stop Refresh Home Search Favorites Media

Address [https:// website.com](https://website.com) 2000 Go

Enterprise News (3)
 Leader launches new look
 Plain text news headline 1
 Other Website Link

My Profile
 My Context
 User

Message
 Calendar
 Task
 Phone
 Search

My Leaderboards
 Topic1
 Topic2

Full Agenda

Meet > List

User

My New
 My Pending
 Pending
 All

Join

Mv. to Arch. Select All Remind Me Delete Acknowledge

My Context
 My Boards

Board Name	Host
Board1	User
Board2	User2
Board3	User2

Web Name

Parent	Child
Admin	Administration
Special Projects Web	
Parent	Child
Board6	Board4
Board4	Board2

1510

Send a Support Email
 Legal Notices
 Go to Low Bandwidth Version
 Go to Text Only Version

Leader Technologies Incorporated
 All Rights Reserved

Internet

FIG. 20

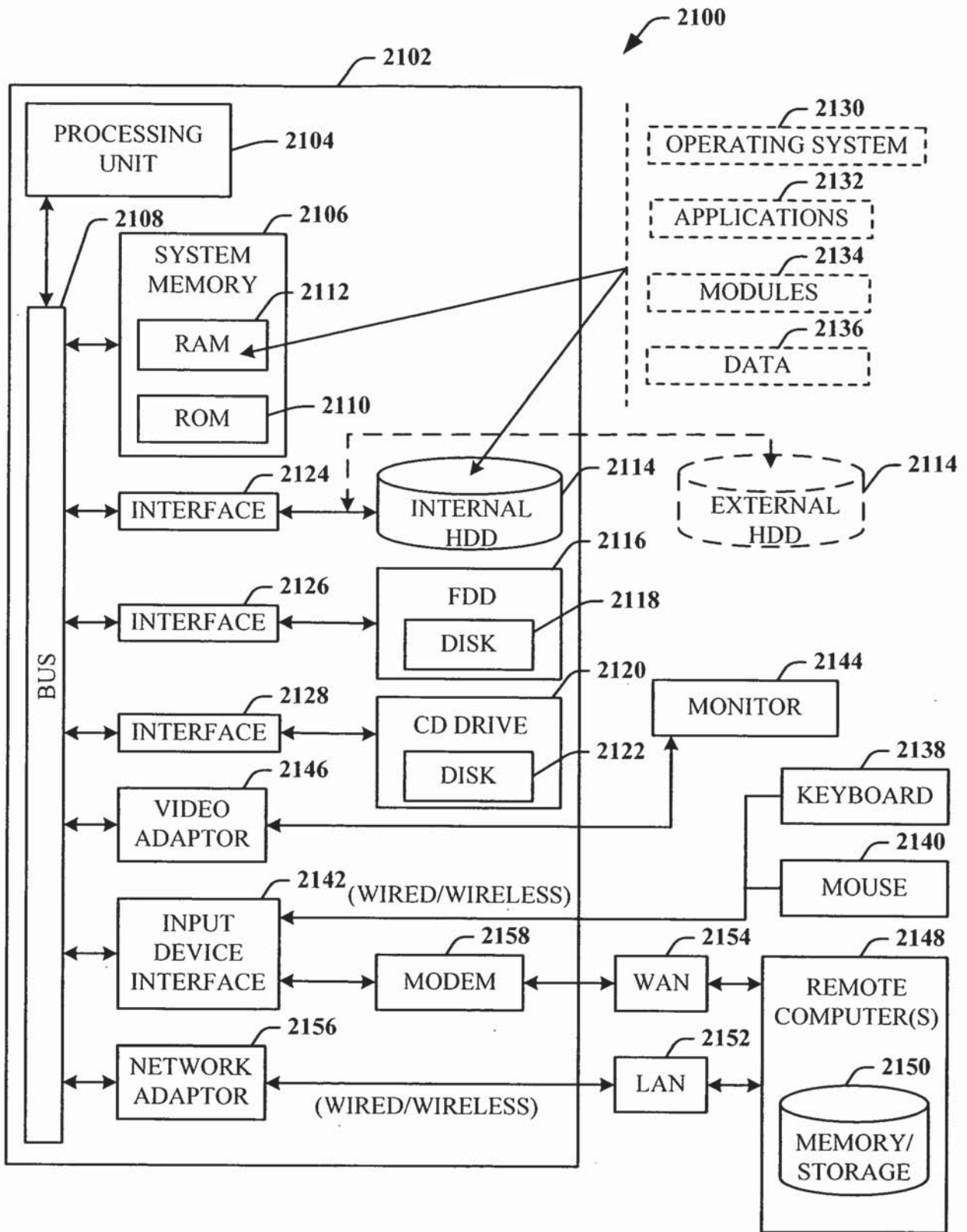


FIG. 21

PATENT APPLICATION

DECLARATION AND POWER OF ATTORNEY

ATTORNEY DOCKET NO. LEADP102USA

LT DOCKET NO. 0308-5002/P-US

As a below named inventor, I hereby declare that:

My residence/post office address and citizenship are as stated below next to my name;

I believe I am the original, first and sole inventor (if only one name is listed below) or an original, first and joint inventor (if plural names are listed below) of the subject matter which is claimed and for which a patent is sought on the invention entitled: **METHOD FOR DYNAMIC ASSOCIATION OF ELECTRONICALLY STORED INFORMATION WITH ITERATIVE WORKFLOW CHANGES** the specification of which is filed herewith unless the following box is checked:

was filed on _____ as US Application Serial No. or PCT International Application Number _____ and was amended on _____ (if applicable).

I hereby state that I have reviewed and understood the contents of the above-identified specification, including the claims, as amended by any amendment(s) referred to above. I acknowledge the duty to disclose all information which is material to patentability as defined in 37 CFR 1.56.

Foreign Application(s) and/or Claim of Foreign Priority

I hereby claim foreign priority benefits under Title 35, United States Code Section 119 of any foreign application(s) for patent or inventor(s) certificate listed below and have also identified below any foreign application for patent or inventor(s) certificate having a filing date before that of the application on which priority is claimed:

COUNTRY	APPLICATION NUMBER	DATE FILED	PRIORITY CLAIMED UNDER 35 U.S.C. 119
			YES: ___ NO: ___
			YES: ___ NO: ___

POWER OF ATTORNEY:

As a named inventor, I hereby appoint the following attorney(s) and/or agent(s) associated with

Customer No. _____

to prosecute this application and transact all business in the Patent and Trademark Office connected therewith.

Eric D. Jorgenson Reg. No. 46,002	Himanshu S. Amin Reg. No. 40,894	Gregory Turocy Reg. No. 36,952	Jeffrey R. Sadlowski Reg. No. 47,914
Jeffrey D. Hale Reg. No. 40,012	Deborah L. Corpus Reg. No. 47,753	Anthony DelZoppo Reg. No. 51,606	John Ling Reg. No. 51,216
Jeffrey Prulhiere Reg. No. 48,264	David Grillo Reg. No. 52,970	Vahid Sharifi Reg. No. 45,828	

Send Correspondence to:

Contact Name: Eric D. Jorgenson
 Firm Name: Amin & Turocy, LLP
 Firm Address: 1900 E. 9th Street, National City Center - 24th Floor
 City, State and Zip: Cleveland, OH 44114

Direct Telephone Calls To:

Contact Name: Eric D. Jorgenson
 Contact Phone Number: (216) 696-8730

DECLARATION AND POWER OF ATTORNEY

ATTORNEY DOCKET NO. LEADP102USA

LT DOCKET NO. 0308-5002/P-US

I hereby declare that all statements made herein of my own knowledge are true and that all statements made on information and belief are believed to be true; and further that these statements were made with the knowledge that willful false statements and the like so made are punishable by fine or imprisonment, or both, under Section 1001 of Title 18 of the United States Code and that such willful false statements may jeopardize the validity of the application or any patent issued thereon.

Full Name of Inventor: Michael T. McKibben

Citizenship: United States

Residence: Columbus, Ohio

Post Office Address: 1676 Tendril Court

Columbus, Ohio 43229

Michael T. McKibben

Dec 10, 2003

Inventor's Signature

Date

Full Name of Inventor: Jeffrey R. Lamb

Citizenship: United States

Residence: Westerville, Ohio

Post Office Address: 4300 Bitterroot Drive

Westerville, Ohio 43081

Jeff R. Lamb

Dec 9, 2003

Inventor's Signature

Date

PATENT APPLICATION SERIAL NO. _____

U.S. DEPARTMENT OF COMMERCE
PATENT AND TRADEMARK OFFICE
FEE RECORD SHEET

12/15/2003 EHAILE1 00000060 501063 10732744

01 FC:2001	385.00 DA
02 FC:2201	172.00 DA
03 FC:2202	216.00 DA

PATENT APPLICATION FEE DETERMINATION RECORD

Effective October 1, 2003

Application or Docket Number

LEADPIOZUSA

CLAIMS AS FILED - PART I

	(Column 1)	(Column 2)
TOTAL CLAIMS	44	
FOR	NUMBER FILED	NUMBER EXTRA
TOTAL CHARGEABLE CLAIMS	44 minus 20 = *	24
INDEPENDENT CLAIMS	7 minus 3 = *	4
MULTIPLE DEPENDENT CLAIM PRESENT <input type="checkbox"/>		

* If the difference in column 1 is less than zero, enter "0" in column 2

SMALL ENTITY TYPE

OR OTHER THAN SMALL ENTITY

RATE	FEE	OR	RATE	FEE
BASIC FEE	385.00	OR	BASIC FEE	770.00
X\$ 9=	216	OR	X\$18=	
X43=	132	OR	X86=	344
+145=		OR	+290=	
TOTAL		OR	TOTAL	773

CLAIMS AS AMENDED - PART II

	(Column 1)	(Column 2)	(Column 3)
AMENDMENT A	CLAIMS REMAINING AFTER AMENDMENT	HIGHEST NUMBER PREVIOUSLY PAID FOR	PRESENT EXTRA
	Total *	Minus **	=
	Independent *	Minus ***	=
FIRST PRESENTATION OF MULTIPLE DEPENDENT CLAIM <input type="checkbox"/>			

SMALL ENTITY

OR OTHER THAN SMALL ENTITY

RATE	ADDITIONAL FEE	OR	RATE	ADDITIONAL FEE
X\$ 9=		OR	X\$18=	
X43=		OR	X86=	
+145=		OR	+290=	
TOTAL ADDIT. FEE		OR	TOTAL ADDIT. FEE	

	(Column 1)	(Column 2)	(Column 3)
AMENDMENT B	CLAIMS REMAINING AFTER AMENDMENT	HIGHEST NUMBER PREVIOUSLY PAID FOR	PRESENT EXTRA
	Total *	Minus **	=
	Independent *	Minus ***	=
FIRST PRESENTATION OF MULTIPLE DEPENDENT CLAIM <input type="checkbox"/>			

RATE	ADDITIONAL FEE	OR	RATE	ADDITIONAL FEE
X\$ 9=		OR	X\$18=	
X43=		OR	X86=	
+145=		OR	+290=	
TOTAL ADDIT. FEE		OR	TOTAL ADDIT. FEE	

	(Column 1)	(Column 2)	(Column 3)
AMENDMENT C	CLAIMS REMAINING AFTER AMENDMENT	HIGHEST NUMBER PREVIOUSLY PAID FOR	PRESENT EXTRA
	Total *	Minus **	=
	Independent *	Minus ***	=
FIRST PRESENTATION OF MULTIPLE DEPENDENT CLAIM <input type="checkbox"/>			

RATE	ADDITIONAL FEE	OR	RATE	ADDITIONAL FEE
X\$ 9=		OR	X\$18=	
X43=		OR	X86=	
+145=		OR	+290=	
TOTAL ADDIT. FEE		OR	TOTAL ADDIT. FEE	

* If the entry in column 1 is less than the entry in column 2, write "0" in column 3.

** If the "Highest Number Previously Paid For" IN THIS SPACE is less than 20, enter "20."

***If the "Highest Number Previously Paid For" IN THIS SPACE is less than 3, enter "3."

The "Highest Number Previously Paid For" (Total or Independent) is the highest number found in the appropriate box in column 1.

Under the Paperwork Reduction Act of 1995, no persons are required to respond to a collection of information unless it displays a valid OMB control number.

**FEE TRANSMITTAL
for FY 2004**

Effective 10/01/2003. Patent fees are subject to annual revision.

 Applicant claims small entity status. See 37 CFR 1.27

TOTAL AMOUNT OF PAYMENT (\$) 813.00

Complete If Known

Application Number	
Filing Date	Herewith
First Named Inventor	Michael T. McKibben
Examiner Name	
Art Unit	
Attorney Docket No.	LEADP102USA

METHOD OF PAYMENT (check all that apply) Check Credit card Money Order Other None Deposit Account:

Deposit Account Number	50-1063
Deposit Account Name	Amin & Turocy, LLP

The Director is authorized to: (check all that apply)

 Charge fee(s) indicated below Credit any overpayments Charge any additional fee(s) or any underpayment of fee(s) Charge fee(s) indicated below, except for the filing fee to the above-identified deposit account.**FEE CALCULATION****1. BASIC FILING FEE**

Large Entity Fee Code (\$)	Small Entity Fee Code (\$)	Fee Description	Fee Paid
1001 770	2001 385	Utility filing fee	385.00
1002 340	2002 170	Design filing fee	
1003 530	2003 265	Plant filing fee	
1004 770	2004 385	Reissue filing fee	
1005 160	2005 80	Provisional filing fee	
SUBTOTAL (1)			(\$) 385.00

2. EXTRA CLAIM FEES FOR UTILITY AND REISSUE

Total Claims	Extra Claims	Fee from below	Fee Paid
44	-20** = 24	9.00	216.00
7	-3** = 4	43.00	172.00
Multiple Dependent			

Large Entity Fee Code (\$)	Small Entity Fee Code (\$)	Fee Description	Fee Paid
1202 18	2202 9	Claims in excess of 20	
1201 86	2201 43	Independent claims in excess of 3	
1203 290	2203 145	Multiple dependent claim, if not paid	
1204 86	2204 43	** Reissue independent claims over original patent	
1205 18	2205 9	** Reissue claims in excess of 20 and over original patent	
SUBTOTAL (2)			(\$) 388.00

**or number previously paid, if greater; For Reissues, see above

FEE CALCULATION (continued)**3. ADDITIONAL FEES**

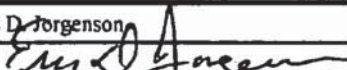
Large Entity Fee Code (\$)	Small Entity Fee Code (\$)	Fee Description	Fee Paid
1051 130	2051 65	Surcharge - late filing fee or oath	
1052 50	2052 25	Surcharge - late provisional filing fee or cover sheet	
1053 130	1053 130	Non-English specification	
1812 2,520	1812 2,520	For filing a request for <i>ex parte</i> reexamination	
1804 920*	1804 920*	Requesting publication of SIR prior to Examiner action	
1805 1,840*	1805 1,840*	Requesting publication of SIR after Examiner action	
1251 110	2251 55	Extension for reply within first month	
1252 420	2252 210	Extension for reply within second month	
1253 950	2253 475	Extension for reply within third month	
1254 1,480	2254 740	Extension for reply within fourth month	
1255 2,010	2255 1,005	Extension for reply within fifth month	
1401 330	2401 165	Notice of Appeal	
1402 330	2402 165	Filing a brief in support of an appeal	
1403 290	2403 145	Request for oral hearing	
1451 1,510	1451 1,510	Petition to institute a public use proceeding	
1452 110	2452 55	Petition to revive - unavoidable	
1453 1,330	2453 665	Petition to revive - unintentional	
1501 1,330	2501 665	Utility issue fee (or reissue)	
1502 480	2502 240	Design issue fee	
1503 640	2503 320	Plant issue fee	
1460 130	1460 130	Petitions to the Commissioner	
1807 50	1807 50	Processing fee under 37 CFR 1.17(q)	
1806 180	1806 180	Submission of Information Disclosure Stmt	
8021 40	8021 40	Recording each patent assignment per property (times number of properties)	40.00
1809 770	2809 385	Filing a submission after final rejection (37 CFR 1.129(a))	
1810 770	2810 385	For each additional invention to be examined (37 CFR 1.129(b))	
1801 770	2801 385	Request for Continued Examination (RCE)	
1802 900	1802 900	Request for expedited examination of a design application	

Other fee (specify)

*Reduced by Basic Filing Fee Paid

SUBTOTAL (3) (\$) 40.00**SUBMITTED BY**

(Complete if applicable)

Name (Print/Type)	Eric D. Jorgenson	Registration No. (Attorney/Agent)	46,002	Telephone	(216) 696-8730
Signature		Date	December 10, 2003		

WARNING: Information on this form may become public. Credit card information should not be included on this form. Provide credit card information and authorization on PTO-2038.

This collection of information is required by 37 CFR 1.17 and 1.27. The information is required to obtain or retain a benefit by the public which is to file (and by the USPTO to process) an application. Confidentiality is governed by 35 U.S.C. 122 and 37 CFR 1.14. This collection is estimated to take 12 minutes to complete, including gathering, preparing, and submitting the completed application form to the USPTO. Time will vary depending upon the individual case. Any comments on the amount of time you require to complete this form and/or suggestions for reducing this burden, should be sent to the Chief Information Officer, U.S. Patent and Trademark Office, U.S. Department of Commerce, P.O. Box 1450, Alexandria, VA 22313-1450. DO NOT SEND FEES OR COMPLETED FORMS TO THIS ADDRESS. SEND TO: Commissioner for Patents, P.O. Box 1450, Alexandria, VA 22313-1450.

If you need assistance in completing the form, call 1-800-PTO-9199 and select option 2.

Under the Paperwork Reduction Act of 1995, no persons are required to respond to a collection of information unless it displays a valid OMB control number.

031088 U.S. PTO
10/732744

121003

UTILITY
PATENT APPLICATION
TRANSMITTAL

(Only for new nonprovisional applications under 37 CFR 1.53(b))

Attorney Docket No.	LEADP102USA
First Inventor	Michael T. McKibben
Title	DYNAMIC ASSOCIATION OF...
Express Mail Label No.	EV330022250US

APPLICATION ELEMENTS

See MPEP chapter 600 concerning utility patent application contents.

ADDRESS TO:

Mail Stop Patent Application
Commissioner for Patents
P.O. Box 1450
Alexandria VA 22313-1450

1. Fee Transmittal Form (e.g., PTO/SB/17)
(Submit an original and a duplicate for fee processing)
2. Applicant claims small entity status.
See 37 CFR 1.27.
3. Specification [Total Pages 40]
(preferred arrangement set forth below)
- Descriptive title of the invention
- Cross Reference to Related Applications
- Statement Regarding Fed sponsored R & D
- Reference to sequence listing, a table,
or a computer program listing appendix
- Background of the Invention
- Brief Summary of the Invention
- Brief Description of the Drawings (if filed)
- Detailed Description
- Claim(s)
- Abstract of the Disclosure
4. Drawing(s) (35 U.S.C. 113) [Total Sheets 18]
5. Oath or Declaration [Total Sheets 2]
a. Newly executed (original or copy)
b. Copy from a prior application (37 CFR 1.63(d))
(for continuation/divisional with Box 18 completed)
i. DELETION OF INVENTOR(S)
Signed statement attached deleting inventor(s)
name in the prior application, see 37 CFR
1.63(d)(2) and 1.33(b).
6. Application Data Sheet. See 37 CFR 1.76

7. CD-ROM or CD-R in duplicate, large table or
Computer Program (Appendix)
8. Nucleotide and/or Amino Acid Sequence Submission
(if applicable, all necessary)
a. Computer Reader Form (CRF)
b. Specification Sequence Listing on:
i. CD-ROM or CD-R (2 copies), or
ii. Paper
c. Statements verifying identity of above copies

ACCOMPANYING APPLICATION PARTS

9. Assignment Papers (cover sheet & document(s))
10. 37 CFR 3.73(b) Statement Power of
(when there is an assignee) Attorney
11. English Translation Document (if applicable)
12. Information Disclosure Copies of IDS
Statement (IDS)/PTO-1449 Citations
13. Preliminary Amendment
14. Return Receipt Postcard (MPEP 503)
(Should be specifically itemized)
15. Certified Copy of Priority Document(s)
(if foreign priority is claimed)
16. Nonpublication Request under 35 U.S.C. 122
(b)(2)(B)(i). Applicant must attach form PTO/SB/35
or its equivalent.
17. Other: Express Mail Certificate.....

18. If a CONTINUING APPLICATION, check appropriate box, and supply the requisite information below and in the first sentence of the specification following the title, or in an Application Data Sheet under 37 CFR 1.76:

 Continuation Divisional Continuation-in-part (CIP) of prior application No.:

Prior application information:

Examiner _____

Art Unit: _____

For CONTINUATION OF DIVISIONAL APPS only: The entire disclosure of the prior application, from which an oath or declaration is supplied under Box 5b, is considered a part of the disclosure of the accompanying continuation or divisional application and is hereby incorporated by reference. The incorporation can only be relied upon when a portion has been inadvertently omitted from the submitted application parts.

19. CORRESPONDENCE ADDRESS

 Customer Number: _____ OR Correspondence address below

Name	Amin & Turocy, LLP			
Address	1900 E. 9th Street National City Center, 24th Floor			
City	Cleveland	State	Ohio	Zip Code 44114
Country	USA	Telephone	(216) 696-8730	Fax (216) 696-8731

Name (Print/Type)	Eric D. Jorgenson	Registration No. (Attorney/Agent)	46,002
Signature		Date	December 10, 2003

This collection of information is required by 37 CFR 1.53(b). The information is required to obtain or retain a benefit by the public which is to file (and by the USPTO to process) an application. Confidentiality is governed by 35 U.S.C. 122 and 37 CFR 1.14. This collection is estimated to take 12 minutes to complete, including gathering, preparing, and submitting the completed application form to the USPTO. Time will vary depending upon the individual case. Any comments on the amount of time you require to complete this form and/or suggestions for reducing this burden, should be sent to the Chief Information Officer, U.S. Patent and Trademark Office, U.S. Department of Commerce, P.O. Box 1450, Alexandria, VA 22313-1450. DO NOT SEND FEES OR COMPLETED FORMS TO THIS ADDRESS. SEND TO: Mail Stop Patent Application, Commissioner for Patents, P.O. Box 1450, Alexandria, VA 22313-1450.

If you need assistance in completing the form, call 1-800-PTO-9199 and select option 2.