

# **EXHIBIT C**

43	Subclass	ISSUE CLASSIFICATION
455	Class	



PATENT NUMBER  
**6408176**  
 6408176

**U.S. UTILITY PATENT APPLICATION**

O.I.P.E. PATENT DATE  
 JUN 18 2002  
 SCANNED *cc kb* O.A. *RW*

SECTOR	CLASS 455	SUBCLASS 413	ART UNIT 2746 <del>2744</del>	EXAMINER FERGUSON
--------	--------------	-----------------	-------------------------------------	----------------------

2683 FILED WITH:  DISK (CRF)  FICHE  
 (Attached in pocket on right inside flap)

**PREPARED AND APPROVED FOR ISSUE**

ISSUING CLASSIFICATION						
ORIGINAL		CROSS REFERENCE(S)				
CLASS	SUBCLASS	CLASS	SUBCLASS (ONE SUBCLASS PER BLOCK)			
455	413	455	412	403	414	
INTERNATIONAL CLASSIFICATION		379	88.13	100.08		
4040	7/20					
4040	7/38					

Continued on Issue Slip inside File Jacket

<input type="checkbox"/> <b>TERMINAL DISCLAIMER</b>	<b>DRAWINGS</b>			<b>CLAIMS ALLOWED</b>	
	Sheets Drwg. 2	Figs. Drwg. 3	Print Fig. 1	Total Claims 15	Print Claim for O.G. 1
<input type="checkbox"/> a) The term of this patent subsequent to _____ (date) has been disclaimed.	Keith Ferguson (Assistant Examiner) 2/21 (Date)			<b>NOTICE OF ALLOWANCE MAILED</b>	
<input type="checkbox"/> b) The term of this patent shall not extend beyond the expiration date of U.S. Patent No. _____	Lee Nguyen Primary Examiner Lee Nguyen (Primary Examiner) 2/21 (Date)			2.2507 <b>ISSUE FEE</b>	
<input type="checkbox"/> c) The terminal _____ months of this patent have been disclaimed.	L. Dillon (Legal Instruments Examiner) 2/21/02 (Date)			Amount Due \$2800	Date Paid 3-25-02 AH
<b>WARNING:</b> The information disclosed herein may be restricted. Unauthorized disclosure may be prohibited by the United States Code Title 35, Sections 122, 191 and 388. Possession outside the U.S. Patent & Trademark Office is restricted to authorized employees and contractors only.			<b>ISSUE BATCH NUMBER</b>		

Form PTO-436A  
 (Rev. 10/97)

**ISSUE SET FILE**

(LABEL AREA)  
 Formal Drawings (\_\_\_\_ shts) set \_\_\_\_\_

(FACE)



US006408176B1

(12) **United States Patent**  
**Urs**

(10) **Patent No.:** **US 6,408,176 B1**  
(45) **Date of Patent:** **Jun. 18, 2002**

(54) **METHOD AND APPARATUS FOR INITIATING A COMMUNICATION IN A COMMUNICATION SYSTEM**

5,504,805 A	4/1996	Lee	379/67
5,943,398 A	8/1999	Klein et al.	379/88.13
5,987,317 A	11/1999	Venturini	455/412
6,006,087 A	12/1999	Amin	455/413
6,072,862 A	6/2000	Srinivasan	379/100.08
6,085,231 A	7/2000	Agraharam et al.	379/88.22

(75) **Inventor:** **Kamala D. Urs, Bartlett, IL (US)**

(73) **Assignee:** **Motorola, Inc., Schaumburg, IL (US)**

(\*) **Notice:** Subject to any disclaimer, the term of this patent is extended or adjusted under 35 U.S.C. 154(b) by 0 days.

\* cited by examiner

*Primary Examiner*—Lee Nguyen

*Assistant Examiner*—Keith Ferguson

(74) *Attorney, Agent, or Firm*—Daniel C. Crilly; Jeffrey K. Jacobs

(21) **Appl. No.:** **09/114,508**

(22) **Filed:** **Jul. 13, 1998**

(51) **Int. Cl. 7** ..... **H04Q 7/20; H04Q 7/38**

(52) **U.S. Cl.** ..... **455/413; 455/412; 455/403; 455/414; 379/88.13; 379/100.08**

(58) **Field of Search** ..... **455/413, 412, 455/403, 466, 414, 31.1, 31.2, 38.1, 38.4, 460, 517, 550; 379/88.13, 88.22, 100.08**

(56) **References Cited**

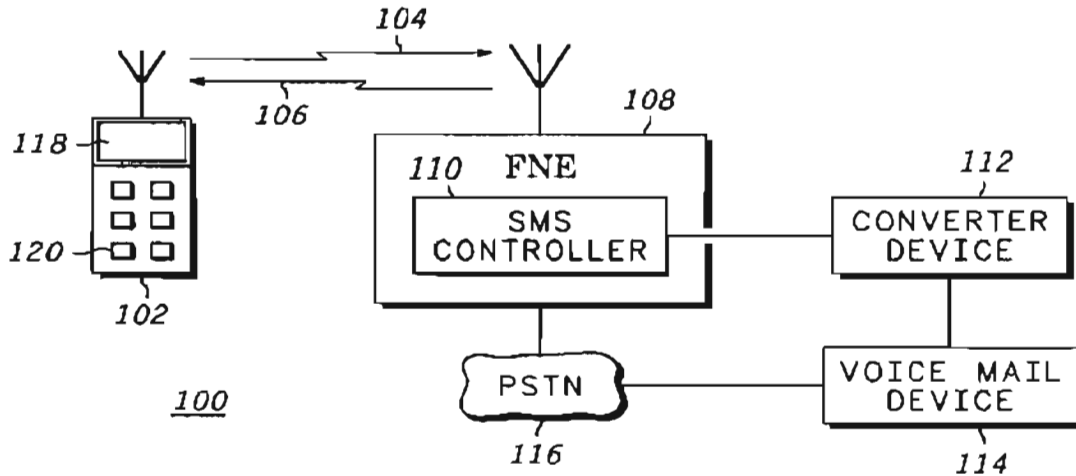
**U.S. PATENT DOCUMENTS**

5,418,835 A \* 5/1995 Frohman et al. .... 455/413

**ABSTRACT**

(57) Caller-related information, such as a telephone number, in a voice mail message intended for a communication unit (102) is extracted from the voice mail message and converted into an alpha-numeric string by a converter device (112). The alpha-numeric string is conveyed by a messaging device (110) to the communication unit and stored in the communication unit. Using the stored caller-related information, a user of the communication unit is able to repeatedly initiate a call to the caller identified by the caller-related information without having to access a voice mail device or enter the caller-related information manually.

**15 Claims, 2 Drawing Sheets**



IN THE UNITED STATES PATENT AND TRADEMARK OFFICE  
UTILITY PATENT APPLICATION TRANSMITTAL LETTER

A

1560 U.S. PTO  
07/13/98

Atty./Agent Docket No.: CM03762H  
Mailing Date: July 13, 1998  
Express Mail Label No.: E1382863462U

1560 U.S. PTO  
07/13/98

To: Assistant Commissioner for Patents  
Box Patent Application  
Washington, D.C. 20231

Dear Sir:

Transmitted herewith for filing under 37 CFR 1.53 (b) is a Nonprovisional Utility Patent:

New Application; or a  Continuation,  Division, or  Continuation-in-Part (CIP)  
Application of prior US application No. \_\_\_\_\_ / \_\_\_\_\_, filed on \_\_\_\_\_, having US  
Examiner \_\_\_\_\_, in Group Art Unit \_\_\_\_\_: of

Inventor(s): Kamala D. Urs

For (Title): METHOD AND APPARATUS FOR INITIATING A COMMUNICATION IN A  
COMMUNICATION SYSTEM

This transmittal letter has 2 total pages.

Enclosed are:

- 3 sheets of informal drawings, along with 16 pages of specification and claims,
- Oath or Declaration Combined with Power of Attorney (3 pages)
  - Newly Executed (original or copy)
  - Copy from a prior application (if this is a Continuation/Division with no new matter)
  - Statement deleting named inventor(s) in prior application if this is a Continuation/Division (See 37 CFR 1.63(d)(2) and 1.33(b).)
  - Consider as the above Statement, Please delete as inventors for this application the following Inventors named in the prior application: \_\_\_\_\_
- A certified copy of a \_\_\_\_\_ (non-US) application S/N \_\_\_\_\_ / \_\_\_\_\_, having a filing date of \_\_\_\_\_, and foreign priority to this non-US application for the present application is hereby claimed under 35 USC 119.
- An Assignment Transmittal Letter and Assignment of the invention to MOTOROLA, INC.
- An Information Disclosure Statement (IDS), with 1 PTO-1449, and 1 citation copies.
- Preliminary Amendment
- Return Receipt Postcard
- Petition For Extension of Time for parent application of the present Continuator/Division/CIP application

07/13/98 1560 U.S. PTO

Instructions:

Incorporation by Reference (for Continuation/Division application) The entire disclosure of the prior application, from which a copy of the oath or declaration is supplied, is considered as being part of the disclosure of the accompanying application and is hereby incorporated by reference therein.

Since the present application is based on a prior US application, please amend the specification by adding the following sentence before the first sentence of the specification: "The present application is based on prior US application No. \_\_\_\_\_ / \_\_\_\_\_, filed on \_\_\_\_\_, which is hereby incorporated by reference, and priority thereto for common subject matter is hereby claimed."

Please cancel filed claims \_\_\_\_\_.

The filing fee is calculated as follows:

CLAIMS AS FILED, LESS ANY CANCELED BY AMENDMENT

	NUMBER OF CLAIMS	NUMBER EXTRA	RATE	FEE
TOTAL CLAIMS	16- 20 =	0	X \$22	= \$0.00
INDEPENDENT CLAIMS	3- 3 =	0	X \$82	= \$0.00
MULTIPLE DEPENDENT CLAIMS			\$270	= \$0.00
BASIC FEE				= \$790.00
TOTAL FILING FEE				= \$790.00

Please charge Deposit Account No. 13-4772 in the amount of \$ 790.00 for the Total Filing Fee. Two duplicate copies of this sheet are enclosed.

The Commissioner is hereby authorized to charge any additional fees which may be required now or in the future under 37 CFR 1.16 or 37 CFR 1.17, including any present or future time extension fees which may be required, or credit any overpayment to Deposit Account No. 13-4772. Two duplicate copies of this sheet are enclosed.

Date: July 13, 1998

Signature: D. C. Crilly

Please forward all correspondence to:

Jonathan P. Meyer  
Motorola, Inc.  
Corporate Offices  
1303 E. Algonquin Road  
Schaumburg, IL 60196

Printed Name: Daniel C. Crilly

Agent for Applicant  
Registration No. 38,417  
MOTOROLA, INC.  
Phone: (847) 576-6939  
Fax: (847) 576-3750

03314505 071598

PATENT APPLICATION  
IN THE UNITED STATES PATENT AND TRADEMARK OFFICE

APPLICANTS: Kamala D. Urs

EXAMINER:

SERIAL NO.:

GROUP:

FILED:

DOCKET NO.: CM03762H

TITLE: METHOD AND APPARATUS FOR INITIATING A COMMUNICATION IN  
A COMMUNICATION SYSTEM

3-c518 U.S. PTO  
09/11/98  
07/13/98

Motorola, Inc.  
Corporate Offices  
1303 E. Algonquin Road  
Schaumburg, IL 60196  
July 13, 1998

**INFORMATION DISCLOSURE STATEMENT UNDER 37 C.F.R. § 1.97**

Assistant Commissioner for Patents  
Washington, D.C. 20231

Dear Sir:

Under 37 C.F.R. § 1.97, a supplemental list of documents is disclosed that may be material to the examination of this application. A copy of each of the documents is included herewith for the Examiner's consideration, along with a document list on form PTO-1449.

No inference should be drawn that the attached list represents a comprehensive investigation of the prior art; that any or all are pertinent to the invention; that the apparatus therein is analogous to the invention; or that any apparatus disclosed is the equivalent of the subject invention.

All of the applicant's claims are believed to be allowable over the references discussed above.

Respectfully submitted,

Kamala D. Urs

By: *Daniel C. Crilly*  
DANIEL C. CRILLY  
Agent for Applicant  
Registration No. 38,417  
Phone: (847) 576-6939  
Fax: (847) 576-3750

Please forward all correspondence to:

Motorola, Inc.  
Corporate Offices  
Intellectual Property Department, 3rd Floor  
1303 E. Algonquin Road  
Schaumburg, IL 60196

Rev. 7/11/98/phm

FORM PTO-1449 U.S. Department of Commerce Patent and Trademark Office <b>LIST OF REFERENCES          CITED BY APPLICANT</b> Page 1 of 1	Atty. Docket No. CM03762H	Serial No. 09/114,528
	Applicants Kamala D. Urs	
	Filing Date	Group 2746

**U.S. PATENT DOCUMENTS**

Examiner's Initials		Document No.	Date	Name	Class	Subclass	Filing Date (If Appropriate)
KF	A A	5,504,805	4/2/96	Lee	379	67	4/5/93
	A B						
	A C						
	A D						
	A E						
	A F						
	A G						
	A H						
	A I						
	A J						
	AK						

**FOREIGN PATENT DOCUMENTS**

		Document No.	Date	Country	Class	Subclass	Translation	
							Yes	No
	A L							
	AM							
	AN							
	AO							

**OTHER (INCLUDING AUTHOR, TITLE, DATE, PERTINENT PAGES, ETC.)**

	AP	
	AR	
	AS	
	AT	

Examiner	<i>Koehn Ferguson</i>	Date Considered	<i>1/28/00</i>
EXAMINER: Initial if reference considered, whether or not citation is in conformance with MPEP 609; draw line through citation if not in conformance and not considered. Include copy of this form for next communication to Applicant.			