



US007234747B2

(12) **United States Patent**
Rasmussen

(10) **Patent No.:** **US 7,234,747 B2**
(45) **Date of Patent:** **Jun. 26, 2007**

(54) **SLIDING MECHANISMS AND SYSTEMS**

(75) Inventor: **C. Martin Rasmussen**, Fruit Heights, UT (US)

(73) Assignee: **Lippert Components, Inc.**, Goshen, IN (US)

(*) Notice: Subject to any disclaimer, the term of this patent is extended or adjusted under 35 U.S.C. 154(b) by 0 days.

- 1,536,518 A 5/1925 Osborn
- 1,948,150 A 2/1934 Whitted
- 2,136,130 A 11/1938 Gorlenko
- 2,150,615 A 3/1939 Sword
- 2,177,394 A 10/1939 Pierce
- 2,201,826 A 5/1940 Ditchfield
- 2,225,319 A 12/1940 Rollo
- 2,306,084 A 12/1942 Rollo
- 2,477,466 A 7/1949 Richardson
- 2,519,517 A 8/1950 Van Tassel

(21) Appl. No.: **11/112,427**

(22) Filed: **Apr. 22, 2005**

(65) **Prior Publication Data**

US 2005/0184547 A1 Aug. 25, 2005

Related U.S. Application Data

(60) Continuation of application No. 10/308,646, filed on Dec. 2, 2002, now Pat. No. 6,981,728, which is a continuation-in-part of application No. 10/044,481, filed on Jan. 11, 2002, now abandoned, which is a division of application No. 09/448,410, filed on Nov. 23, 1999, now Pat. No. 6,338,523.

(51) **Int. Cl.**
B60P 3/34 (2006.01)

(52) **U.S. Cl.** **296/26.01; 296/26.13; 296/165; 296/171**

(58) **Field of Classification Search** **296/26.01, 296/26.09, 26.13, 165, 171, 175; 52/67**
See application file for complete search history.

(56) **References Cited**

U.S. PATENT DOCUMENTS

- 981,113 A 1/1911 Richards
- 1,039,960 A 10/1912 Klein et al.
- 1,275,971 A 8/1918 Michelin
- 1,284,967 A 11/1918 Anderson
- 1,419,475 A 6/1922 Smith
- 1,447,603 A 3/1923 Runner

(Continued)

FOREIGN PATENT DOCUMENTS

CH 663 586 A5 12/1987

(Continued)

OTHER PUBLICATIONS

U.S. Appl. No. 60/132,397, filed May 4, 1999, Schneider.

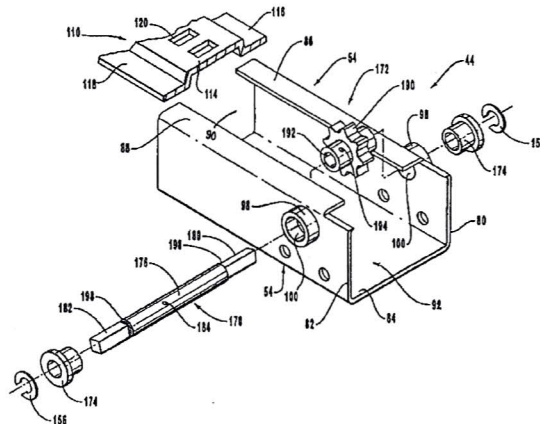
(Continued)

Primary Examiner—Dennis H. Pedder
(74) *Attorney, Agent, or Firm*—Barnes & Thornburg, LLP

(57) **ABSTRACT**

A sliding mechanism for moving a slide-out compartment of a vehicle includes a guide member, a sliding member, and a gear. The gear is used to move the sliding member relative to the guide member. The sliding member and the guide member cooperate with each other to move the slide-out compartment between an extended position and a retracted position.

44 Claims, 23 Drawing Sheets



U.S. PATENT DOCUMENTS							
2,535,613	A	12/1950	Vanderbeek	4,139,229	A	2/1979	Cooper
2,581,192	A	1/1952	Fleur	4,169,581	A	10/1979	Thurmond, Jr.
2,583,923	A	1/1952	Anschuetz	4,192,544	A	3/1980	Patterson
2,597,709	A	5/1952	Dath et al.	4,253,283	A	3/1981	May
2,606,057	A	8/1952	Johnson	4,257,570	A	3/1981	Rasmussen
2,704,223	A	3/1955	Houdart	4,270,319	A	6/1981	Spasojevic
2,732,251	A	1/1956	Meaker	4,270,791	A	6/1981	Tann
2,744,781	A	5/1956	Black	4,277,919	A	7/1981	Artweger et al.
2,757,418	A	8/1956	Bergstrom	4,295,679	A	10/1981	Artweger et al.
2,813,747	A	11/1957	Rice, Jr.	4,312,159	A	1/1982	Paul
2,820,666	A	1/1958	Grochmal	4,316,601	A	2/1982	Osborne et al.
2,822,212	A	2/1958	Frey	4,326,615	A	4/1982	Powell
2,842,972	A	7/1958	Houdart	4,351,135	A	9/1982	Freller
2,850,320	A	9/1958	Grochmal	4,358,133	A	11/1982	Stucky
2,857,197	A	10/1958	Hogg	4,413,855	A	11/1983	Flanagan
2,876,035	A	3/1959	Houdart	4,480,866	A	11/1984	Komatsu
2,877,509	A	3/1959	Klibanow	4,500,132	A	2/1985	Yoder
2,886,856	A	5/1959	Suk Kun Che	RE32,262	E	10/1986	Stewart
2,893,780	A	7/1959	Ervine	4,652,041	A	3/1987	Barber et al.
2,894,775	A	7/1959	Harless	4,689,924	A	9/1987	Jurgensen
2,898,143	A	8/1959	Ferrera	4,723,931	A	2/1988	Allen et al.
2,898,144	A	8/1959	Ferrera	4,759,582	A	7/1988	Kutzner
2,901,282	A	8/1959	Meaker	4,842,252	A	6/1989	McMahan
2,902,312	A	9/1959	Ferrera	4,869,030	A	9/1989	Clark
2,913,775	A	11/1959	Sailor	4,872,903	A	10/1989	Periou
2,987,342	A	6/1961	Meaker et al.	4,883,306	A	11/1989	Stucky
2,995,398	A	8/1961	Davenport	4,912,892	A	4/1990	Jurgensen
3,080,185	A	3/1963	Walker	4,930,270	A	6/1990	Bevacqua
3,106,750	A	10/1963	Jarman	4,930,837	A	6/1990	Marsh et al.
3,107,116	A	10/1963	Meaker	4,943,106	A	7/1990	Hunt
3,116,085	A	12/1963	Uttley	4,945,780	A	8/1990	Bosma
3,137,041	A	6/1964	Mullen	4,955,661	A	9/1990	Mattice
3,148,795	A	9/1964	Leach	5,050,927	A	9/1991	Montanari
3,169,280	A	2/1965	Jarman	5,061,001	A	10/1991	Madden et al.
3,181,910	A	5/1965	Thomas	5,069,471	A	12/1991	Van Der Linden et al.
3,212,810	A	10/1965	Bass	5,090,749	A	2/1992	Lee
3,288,518	A	11/1966	Oliver	5,127,697	A	7/1992	St. Marie
3,300,914	A	1/1967	Stewart et al.	5,154,469	A	10/1992	Morrow
3,330,574	A	7/1967	Kulyk	5,185,973	A	2/1993	Oldani
3,338,554	A	8/1967	Gostomski	5,193,878	A	3/1993	Weaver
3,341,986	A	9/1967	Brosig	5,199,738	A	4/1993	Vandenbergh
3,368,839	A	2/1968	Stewart	5,237,782	A	8/1993	Cooper
3,482,716	A	12/1969	Leadley	5,248,180	A	9/1993	Hussaini
3,512,315	A	5/1970	Vitalini	5,273,256	A	12/1993	Chambers
3,549,027	A	12/1970	Batson	5,291,701	A	3/1994	Delacollette et al.
3,560,043	A	2/1971	Harter	5,295,430	A	3/1994	Dewald, Jr. et al.
3,572,809	A	3/1971	Buland	5,332,276	A	7/1994	Blodgett, Jr.
3,592,443	A	7/1971	Budrow et al.	5,333,420	A	8/1994	Eden
3,596,416	A	8/1971	Hojka	5,345,730	A	9/1994	Jurgensen
3,640,502	A	2/1972	Bargman, Jr.	5,374,094	A	12/1994	Smith et al.
3,695,472	A	10/1972	Rasmussen	5,384,992	A	1/1995	Robertson
3,709,467	A	1/1973	Mann	5,398,986	A	3/1995	Koob
3,719,386	A	3/1973	Puckett et al.	5,491,933	A	2/1996	Miller et al.
3,740,088	A	6/1973	Ratcliff	5,511,459	A	4/1996	Hanser et al.
3,758,074	A	9/1973	Jeffries et al.	5,553,825	A	9/1996	Rasmussen
3,763,979	A	10/1973	Goodman et al.	5,560,444	A	10/1996	Tiedge
3,797,880	A	3/1974	Pezzaglia	5,560,667	A	10/1996	Edry
3,815,949	A	6/1974	Ulert	5,567,003	A	10/1996	Gill
3,819,077	A	6/1974	Rasmussen et al.	5,570,924	A	11/1996	Few et al.
3,850,470	A	11/1974	Trelle	5,577,351	A	11/1996	Dewald, Jr. et al.
3,874,244	A	4/1975	Rasmussen et al.	5,586,802	A	12/1996	Dewald, Jr. et al.
3,897,044	A	7/1975	Tallman	5,607,134	A	3/1997	Corning et al.
3,915,492	A	10/1975	Agnese	5,620,224	A	4/1997	DiBiagio et al.
3,921,843	A	11/1975	Rasmussen et al.	5,628,541	A	5/1997	Gardner
3,934,688	A	1/1976	Sides et al.	5,634,683	A	6/1997	Young
3,944,277	A	3/1976	Cyphert	5,639,139	A	6/1997	Rush
4,015,822	A	4/1977	Rasmussen	5,658,032	A	8/1997	Gardner
4,049,310	A	9/1977	Yoder	5,673,962	A	10/1997	Maieli et al.
4,103,462	A	8/1978	Freller	5,706,612	A	1/1998	Tillet
4,128,269	A	12/1978	Stewart	5,711,566	A	1/1998	Lesmeister et al.
4,133,571	A	1/1979	Fillios	5,732,839	A	3/1998	Schimmang et al.
				5,758,918	A	6/1998	Schneider et al.
				5,765,316	A	6/1998	Kavarsky

US 7,234,747 B2

5,772,270 A	6/1998	Hanser et al.	6,568,734 B2	5/2003	Buls et al.
5,785,373 A	7/1998	Futrell et al.	6,572,170 B2	6/2003	McManus et al.
5,787,650 A	8/1998	Miller et al.	6,575,514 B2	6/2003	McManus et al.
5,788,306 A	8/1998	DiBiagio et al.	6,592,163 B1	7/2003	Nebel
5,791,715 A	8/1998	Nebel	6,598,354 B2	7/2003	McManus et al.
5,800,002 A	9/1998	Tiedge et al.	6,601,896 B1	8/2003	Nye et al.
5,815,988 A	10/1998	Molina	6,619,713 B2	9/2003	Eichhorn
5,829,822 A	11/1998	Tiedge	6,619,714 B2	9/2003	Schneider et al.
5,833,296 A	11/1998	Schneider	6,623,058 B1	9/2003	Crean
5,853,215 A	12/1998	Lowery	6,623,066 B2	9/2003	Garceau et al.
5,857,733 A	1/1999	Dewald, Jr. et al.	6,637,794 B2	10/2003	McManus et al.
5,860,686 A	1/1999	Tiedge	6,637,804 B1	10/2003	Crean
5,894,698 A	4/1999	Dewald, Jr. et al.	6,644,235 B2	11/2003	Haynes
5,902,001 A	5/1999	Schneider	6,644,719 B2	11/2003	Young, Sr.
5,908,215 A	6/1999	Hanser et al.	6,655,723 B2	12/2003	Meijer et al.
5,915,774 A	6/1999	Tiedge	6,658,798 B1	12/2003	Frerichs et al.
5,971,471 A	10/1999	Gardner	6,679,541 B1	1/2004	Hanser et al.
5,983,576 A	11/1999	Hanser et al.	6,679,543 B2	1/2004	Messano
5,984,353 A	11/1999	Rasmussen	6,681,531 B2	1/2004	McManus
5,984,396 A	11/1999	Schneider	6,685,249 B2	2/2004	Schneider
5,997,074 A	12/1999	Alexander	6,696,813 B2	2/2004	McManus et al.
6,003,919 A	12/1999	Shook	6,698,818 B2	3/2004	Crean
6,007,142 A	12/1999	Gehman et al.	6,702,353 B1	3/2004	Blodgett, Jr.
6,017,080 A	1/2000	Gill	6,708,454 B1	3/2004	Frerichs et al.
6,048,016 A	4/2000	Futrell et al.	6,729,669 B2	5/2004	McManus et al.
6,048,167 A	4/2000	Lesmeister et al.	6,729,670 B1	5/2004	Buls et al.
6,052,952 A	4/2000	Frerichs et al.	6,729,677 B2	5/2004	Gurdjian et al.
6,067,756 A	5/2000	Frerichs et al.	6,735,909 B1	5/2004	Gardner
6,094,870 A	8/2000	Stacy	6,805,391 B2	10/2004	Schneider
6,098,346 A	8/2000	Miller et al.	6,857,689 B2	2/2005	Dodgen
6,108,983 A	8/2000	Dewald, Jr. et al.	6,871,897 B1	3/2005	Snyder
6,109,683 A	8/2000	Schneider	2001/0002758 A1	6/2001	Hanser et al.
6,116,671 A	9/2000	Schneider	2001/0004159 A1	6/2001	Crean
6,152,520 A	11/2000	Gardner	2001/0008059 A1	7/2001	McManus et al.
6,170,903 B1	1/2001	Crean	2001/0030437 A1	10/2001	Hiebert et al.
6,176,045 B1	1/2001	McManus et al.	2002/0023393 A1	2/2002	McManus
6,182,401 B1	2/2001	McManus et al.	2002/0041104 A1	4/2002	Graf et al.
6,202,362 B1	3/2001	McManus et al.	2002/0043813 A1	4/2002	McManus et al.
6,224,126 B1	5/2001	Martin et al.	2002/0047286 A1	4/2002	Nye et al.
6,227,607 B1	5/2001	Dewald, Jr. et al.	2002/0056329 A1	5/2002	Rasmussen
6,234,566 B1	5/2001	Cyr et al.	2002/0057000 A1	5/2002	McManus
6,250,701 B1	6/2001	Vance	2002/0060467 A1	5/2002	McManus et al.
6,254,171 B1	7/2001	Young, Sr.	2002/0063441 A1	5/2002	Young, Sr.
6,257,638 B1	7/2001	Graber	2002/0070700 A1	6/2002	McManus et al.
6,266,931 B1	7/2001	Erickson et al.	2002/0074815 A1	6/2002	McManus et al.
6,286,883 B1	9/2001	Schneider et al.	2002/0074816 A1	6/2002	McManus et al.
6,290,284 B1	9/2001	Crean	2002/0078634 A1	6/2002	McManus et al.
6,293,611 B1	9/2001	Schneider et al.	2002/0084661 A1	7/2002	McManus et al.
6,293,612 B1	9/2001	Crean	2002/0084663 A1	7/2002	McManus et al.
6,299,229 B1	10/2001	Becenas Nieto	2002/0084664 A1	7/2002	McManus et al.
6,302,475 B1	10/2001	Anderson	2002/0084665 A1	7/2002	McManus et al.
6,305,739 B1	10/2001	Corona	2002/0089212 A1	7/2002	Garceau et al.
6,325,437 B2	12/2001	Hiebert et al.	2002/0089213 A1	7/2002	Gehman et al.
6,338,523 B1	1/2002	Rasmussen	2002/0093213 A1	7/2002	Kreil et al.
6,345,854 B1	2/2002	McManus	2002/0093214 A1	7/2002	McManus et al.
6,345,855 B2	2/2002	Hanser et al.	2002/0140245 A1	10/2002	Coleman, II et al.
6,354,646 B1	3/2002	McManus et al.	2002/0153745 A1	10/2002	Messano
6,402,216 B1	6/2002	McManus et al.	2002/0171255 A1	11/2002	Eichhorn
6,415,675 B1	7/2002	Schneider et al.	2002/0180232 A1	12/2002	Schneider et al.
6,422,628 B1	7/2002	Bortell	2003/0080576 A1	5/2003	Buls et al.
6,428,073 B1	8/2002	Blodgett, Jr.	2003/0089296 A1	5/2003	Haynes
6,447,048 B2	9/2002	Crean	2003/0107229 A1	6/2003	Meijer et al.
6,454,336 B1	9/2002	Nye et al.	2003/0141732 A1	7/2003	Nye et al.
6,471,275 B1	10/2002	Kunz et al.	2003/0155791 A1	8/2003	Gurdjian et al.
6,494,518 B2	12/2002	Kreil et al.	2003/0193213 A1	10/2003	Gehman et al.
6,497,449 B2	12/2002	Graf et al.	2004/0007890 A1	1/2004	Blodgett, Jr.
6,505,873 B1	1/2003	Crean	2004/0017096 A1	1/2004	Crean
6,527,324 B2	3/2003	McManus et al.	2004/0066060 A1	4/2004	Rasmussen
6,533,338 B1	3/2003	Frerichs et al.	2004/0104698 A1	6/2004	Blodgett, Jr.
6,536,821 B1	3/2003	Gardner	2004/0124651 A1	7/2004	Huffman et al.
6,536,823 B2	3/2003	McManus	2004/0130172 A1	7/2004	Yoder et al.
6,561,570 B2	5/2003	Gehman et al.	2004/0130173 A1	7/2004	Meijer et al.
6,565,144 B1	5/2003	Crean	2004/0150241 A1	8/2004	Nye et al.

2004/0174031 A1 9/2004 Rasmussen
2005/0006924 A1 1/2005 Rasmussen

GB 2 344 317 A 6/2000
WO WO 80/01669 8/1980

FOREIGN PATENT DOCUMENTS

DE	944 657	12/1955
DE	1 092 318	11/1960
DE	1 138 648	10/1962
DE	1 925 258	11/1970
DE	2 026 360	12/1971
DE	2 309 551	9/1973
DE	24 44 545 A1	4/1976
DE	25 34 154 A1	2/1977
DE	26 01 609 A1	7/1977
DE	26 41 142 A1	3/1978
DE	27 12 270 A1	9/1978
DE	44 29 927 A1	11/1995
EP	0 006 072 A1	7/1981
EP	0 083 317 A2	6/1982
EP	0 089 133 A1	9/1983
EP	1 093 964 A2	9/2000
FR	1 015 333	9/1952
FR	1 088 640	3/1955
FR	1 089 977	3/1955
FR	1 107 260	12/1955
FR	1 129 557	1/1957
FR	1 157 924	6/1958
FR	1 211 834	3/1960
FR	1 562 197	4/1969
FR	1 570 553	6/1969
FR	1 574 680	7/1969
FR	2 360 444	3/1978
FR	2 573 016 A1	5/1986
GB	304 802	1/1929
GB	485330	5/1938
GB	882 258	11/1961
GB	1 212 711	11/1970
GB	1 265 003	3/1972
GB	2 001 589 A	7/1978
GB	2 244 959 A	6/1990

OTHER PUBLICATIONS

"Electric Slide-Out System Operations and Service Manual," multiple dates, 111 pages, Power Gear®.
Fleetwood Terry 27', Nov. 2000, 14 pages (each page is stamped "FLTSLD"), Kennedale Camper Sales, Inc., Kennedale, Texas.
"King of the Road, Perfecting the art of fifth wheel technology," Oct. 1996, 12 pages, Chief Industries, Inc., Russell, Kansas.
"King of the Road, Perfecting the art of fifth wheel technology," Owner's Manual, 1996, 67 pages, King of the Road, Russell, Kansas.
"Rollout EZ Slide Customer Specification Form," 1998, 2 pages, H&H Braund Manufacturing Company Limited, Canada.
"Rollout EZ Slide," Jul. 28, 1997, 1 page, Model No. 23360, Barker Manufacturing Co., Battle Creek, Michigan.
Rollout EZ Slide, Jun. 24, 1998, 1 page, Model No. 24905, Barker Manufacturing Co., Battle Creek, Michigan.
"Rollout EZ Slide," May 11, 1995, 1 page, Model No. 23360, Barker Manufacturing Co., Battle Creek, Michigan.
Royallite by King of the Road, Aug. 16, 1996, 31 pages (each page is stamped "1997RKR"), Texas RV Center, Inc.
"RV Parts and Accessories," 2002, 5 pages, H&H Braund Manufacturing Company Limited, Canada.
"The HWH SpaceMaker®; 'Pivotal Level Out Floor,'" Room Extension, May 6, 2002, 1 page.
Atwood Industries, Inc., Product Brochure, Form No. TS-2000, 1993 (Estimated).
Happijac Company Product Brochure, 1993 (Estimated).
Rieco, Inc., Ball Screw Camper Jacks Product Brochure, 1993 (Estimated).
Rieco, Inc., Camper Jacks Product Brochure, 1980 (Estimated).
Rieco, Inc., Remote Controller Electric Camper Jacks Product Brochure, 1993 (Estimated).
Rieco, Inc., Swing-A-Way Bracket Product Brochure, 1980 (Estimated).
Titan Jack, Inc., 4-Corner Camper Jack Product Brochure, 1993 (Estimated).

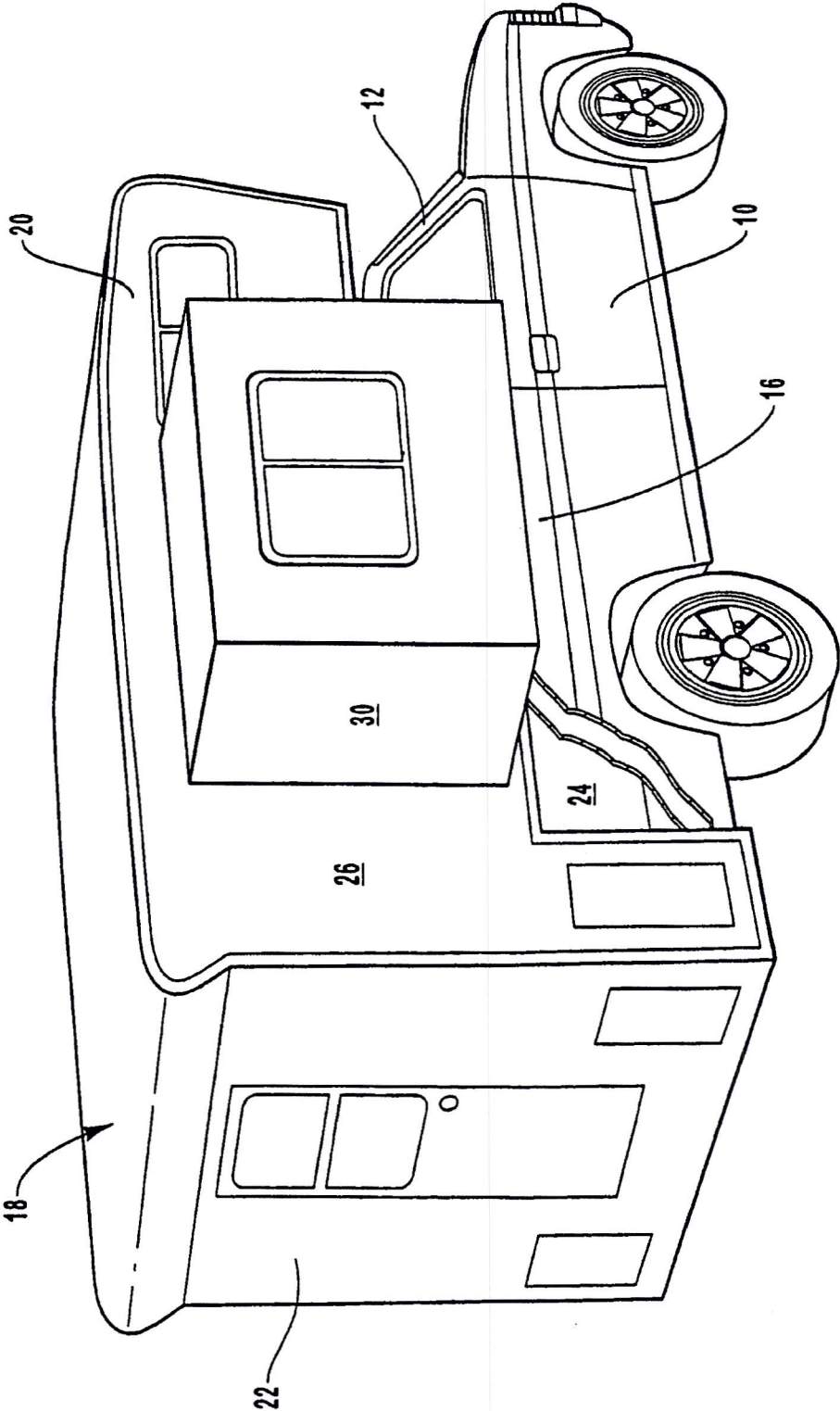


FIG. 1