

June 29, 1943.

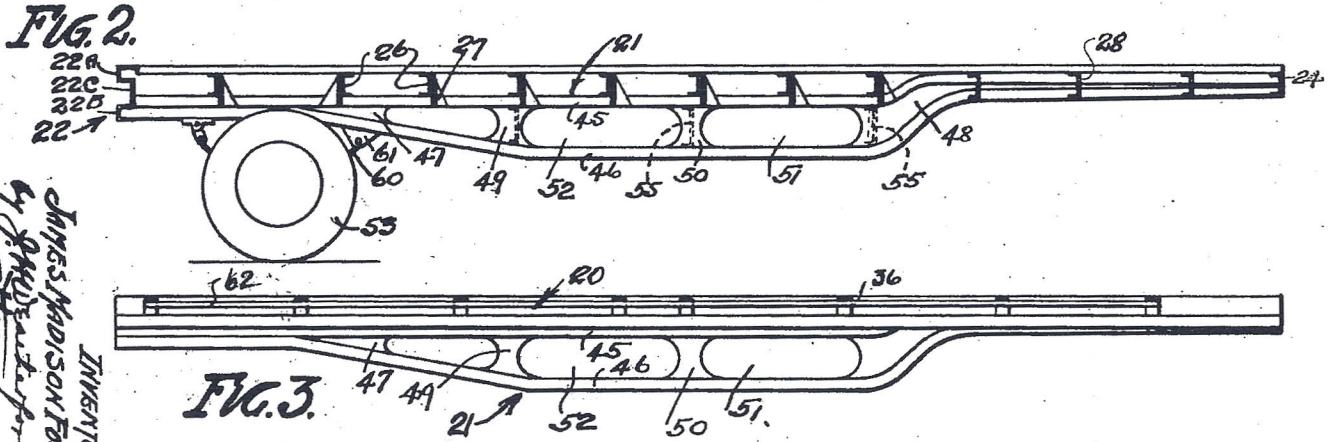
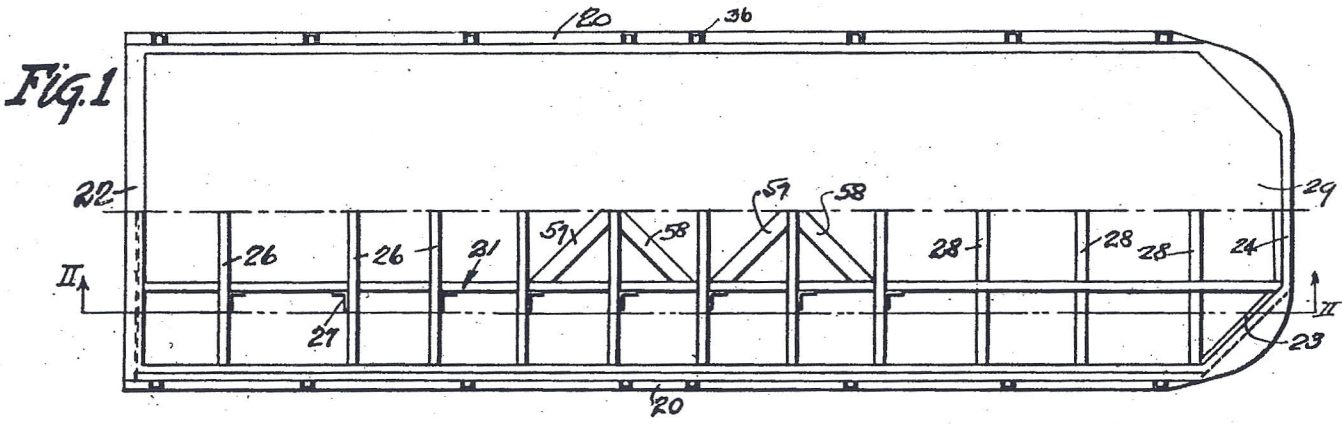
J. M. FOSTER

2,322,841

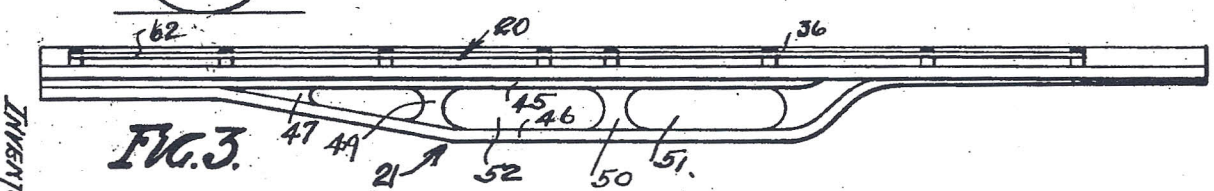
VEHICLE FRAME

Filed July 8, 1940

4 Sheets-Sheet 1



JAMES MADISON FOSTER
BY J. M. FOSTER
ATTY.



June 29, 1943.

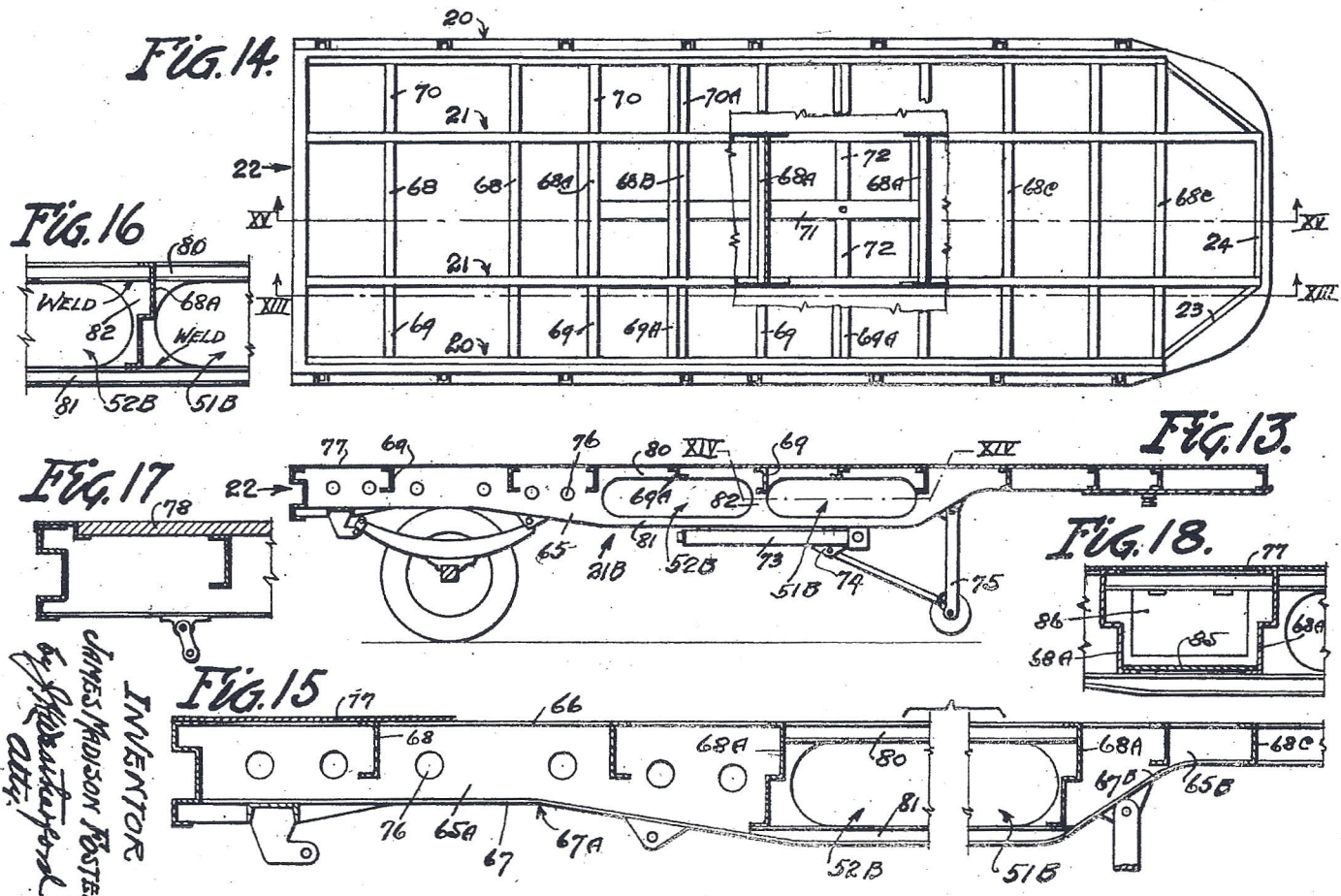
J. M. FOSTER

2,322,841

VEHICLE FRAME

Filed July 8, 1940

4 Sheets-Sheet 4



INVENTOR
 JAMES MADISON FOSTER
 by *Frederick J. Ford*
 ATT.