



US007350850B2

(12) **United States Patent**
Rasmussen

(10) **Patent No.:** **US 7,350,850 B2**
(45) **Date of Patent:** ***Apr. 1, 2008**

(54) **BED THAT MOVES VERTICALLY AND CONVERTS INTO A COUCH**

(58) **Field of Classification Search** 296/170, 296/169, 168, 164, 156, 24.33, 69; 297/92, 297/93, 354.13; 5/37.1

(75) **Inventor:** **C. Martin Rasmussen**, Fruit Heights, UT (US)

See application file for complete search history.

(73) **Assignee:** **Lippert Components, Inc.**, Goshen, IN (US)

(56) **References Cited**

U.S. PATENT DOCUMENTS

(*) **Notice:** Subject to any disclaimer, the term of this patent is extended or adjusted under 35 U.S.C. 154(b) by 0 days.

- 520,760 A 5/1894 Poor
- 527,095 A 10/1894 Wowra
- 533,031 A 1/1895 Breed
- 534,756 A 2/1895 Pearson
- 544,547 A 8/1895 Pearson
- 549,391 A 11/1895 Pearson
- 549,527 A 11/1895 Osgood
- 567,708 A 9/1896 Goodwin

This patent is subject to a terminal disclaimer.

(Continued)

(21) **Appl. No.:** **11/255,165**

FOREIGN PATENT DOCUMENTS

(22) **Filed:** **Oct. 19, 2005**

AT 24607 6/1906

(65) **Prior Publication Data**

US 2006/0181110 A1 Aug. 17, 2006

(Continued)

Related U.S. Application Data

OTHER PUBLICATIONS

(63) Continuation-in-part of application No. PCT/US2004/025360, filed on Jul. 31, 2004.

Sandpiper Toy Hauler, Mar. 2005, 34 pages (each page is marked "LKNOFF3A"), Forest River, Inc.

(60) Provisional application No. 60/639,676, filed on Dec. 27, 2004, provisional application No. 60/621,606, filed on Oct. 21, 2004, provisional application No. 60/560,872, filed on Apr. 9, 2004, provisional application No. 60/544,000, filed on Feb. 12, 2004, provisional application No. 60/534,092, filed on Jan. 2, 2004, provisional application No. 60/510,270, filed on Oct. 9, 2003, provisional application No. 60/492,440, filed on Aug. 4, 2003, provisional application No. 60/491,448, filed on Jul. 31, 2003.

(Continued)

Primary Examiner—Jason S. Morrow
(74) *Attorney, Agent, or Firm*—Holland & Hart LLP

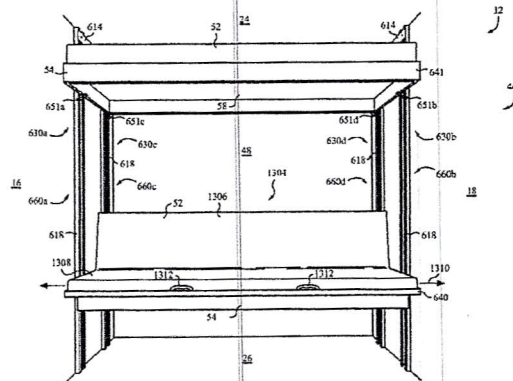
(51) **Int. Cl.**
B60P 3/42 (2006.01)

(57) **ABSTRACT**

A vehicle includes a bed that is configured to move between a sleeping configuration and a seating configuration. The bed is also configured to move vertically between a use position and a stowed position.

(52) **U.S. Cl.** 296/170; 296/24.33; 296/69; 5/37.1

22 Claims, 222 Drawing Sheets



US 7,350,850 B2

Page 2

U.S. PATENT DOCUMENTS

579,005 A	3/1897	Osgood	3,695,472 A	10/1972	Rasmussen
737,403 A	8/1903	Harris	3,745,595 A	7/1973	Nagy
829,469 A	8/1906	Harris	3,760,436 A	9/1973	Zach et al.
835,905 A	11/1906	Harris	3,763,979 A	10/1973	Goodman et al.
867,409 A	10/1907	Poor	3,765,648 A	10/1973	Rasmussen et al.
904,717 A	11/1908	Palmer	3,772,716 A	11/1973	Ratcliff
931,962 A	8/1909	Rountree	3,790,207 A	2/1974	Anderson
1,065,287 A	6/1913	Welch	3,811,138 A	5/1974	Del Missier
1,197,035 A	9/1916	Knudtson et al.	3,828,374 A	8/1974	Del Missier
1,284,936 A	11/1918	Shine	3,829,907 A	8/1974	Brunner
1,417,719 A	5/1922	Covington	3,829,912 A	8/1974	Quakenbrush
1,527,105 A	2/1925	Zagelmeyer	3,830,466 A	8/1974	Rasmussen et al.
1,542,766 A	6/1925	Hall	3,858,254 A	1/1975	Coomes
1,604,837 A	10/1926	Morden	3,874,009 A	4/1975	Nosaka et al.
1,628,418 A	5/1927	Monroe et al.	3,882,554 A	5/1975	Glass
1,696,412 A	12/1928	Price	3,902,205 A	9/1975	Bell
1,714,613 A	5/1929	Montgomery	3,921,843 A	11/1975	Rasmussen et al.
1,720,116 A	7/1929	Broome et al.	3,961,716 A	6/1976	Renaud
1,841,992 A	1/1932	Thompson	4,018,166 A	4/1977	Guttridge et al.
1,945,875 A	2/1934	Woller	4,044,410 A	8/1977	Klingler
2,052,790 A	9/1936	Norton	4,058,860 A	11/1977	Daidone
2,098,825 A	11/1937	Hills	4,107,797 A	8/1978	Maxwell, Sr.
2,112,355 A	3/1938	Archer	4,141,093 A	2/1979	Marsden
2,216,243 A	10/1940	Kreidler	4,144,601 A	3/1979	Anderson et al.
2,323,620 A	7/1943	Parke et al.	4,196,483 A	4/1980	Lefler et al.
2,358,546 A	9/1944	Tully et al.	4,197,600 A	4/1980	Slabic
2,371,482 A	3/1945	Tully et al.	4,215,899 A	8/1980	Schmidt et al.
2,391,051 A	12/1945	Windsor	4,243,260 A	1/1981	Giesecking
2,432,228 A	12/1947	Lano	4,279,203 A	7/1981	Marulic
2,492,362 A	12/1949	Hopeman, Jr. et al.	4,294,484 A	10/1981	Robertson
2,492,829 A	12/1949	Baker	4,355,834 A	10/1982	Alford
2,526,562 A	10/1950	Kelly, Jr. et al.	4,360,936 A	11/1982	Keller
2,541,288 A	2/1951	Rice	4,420,182 A	12/1983	Kaneshiro
2,544,980 A	3/1951	Brown	4,462,127 A	7/1984	Schmidt et al.
2,550,599 A	4/1951	Reed	4,589,152 A	5/1986	Pakosh
2,565,417 A	8/1951	Woller	4,589,612 A	5/1986	Halim
2,588,785 A	3/1952	Will	4,620,335 A	11/1986	Dodgen
2,592,166 A	4/1952	McLean et al.	4,631,763 A	12/1986	Singer
2,592,924 A	4/1952	Lyon	4,668,142 A	5/1987	Fity et al.
2,596,291 A	5/1952	Thor	4,826,235 A	5/1989	Zwick
2,609,112 A	9/1952	McKenzie	4,837,877 A	6/1989	Hamada et al.
2,632,183 A	3/1953	Patton et al.	4,853,989 A	8/1989	Garcia
2,663,446 A	12/1953	Romain	4,869,545 A	9/1989	Notermann
2,673,353 A	3/1954	Dean et al.	4,940,277 A	7/1990	Buell
2,730,213 A	1/1956	Mason et al.	4,958,391 A	9/1990	Egeland
2,731,924 A	1/1956	Norby et al.	4,966,510 A	10/1990	Johnson, Jr.
2,746,063 A	5/1956	Osner	4,979,248 A	12/1990	Kelley
2,783,717 A	3/1957	Meldrum	4,993,773 A	2/1991	Lange
2,968,048 A	1/1961	Roberge	5,020,169 A	6/1991	Hamada et al.
3,028,606 A	4/1962	Boutet	5,031,563 A	7/1991	Matre
3,043,454 A	7/1962	Butler et al.	5,056,170 A	10/1991	Kronshagen
3,067,437 A	12/1962	Campbell	5,067,862 A	11/1991	Andre
3,119,350 A	1/1964	Bellingher	5,092,650 A	3/1992	Perlot
3,184,766 A	5/1965	Mortrude	5,106,246 A	4/1992	Chance
3,193,321 A	7/1965	Rose	5,108,065 A	4/1992	Puerner
3,266,062 A	8/1966	Rogers	5,110,250 A	5/1992	Kuo
3,282,566 A	11/1966	Clarke	5,218,728 A	6/1993	Lloyd et al.
3,310,289 A	3/1967	Burke	5,230,406 A	7/1993	Poon
3,317,005 A	5/1967	Kehoe	5,363,520 A	11/1994	Lyne, Jr.
3,353,861 A	11/1967	Froitzheim et al.	5,377,787 A	1/1995	Chabrier
3,397,909 A	8/1968	Gossman	5,433,293 A	7/1995	Sager
3,399,922 A	9/1968	Burton	5,446,932 A	9/1995	Voorhis
3,466,082 A	9/1969	Branch	5,454,686 A	10/1995	Gearin et al.
3,480,975 A	12/1969	Racine et al.	5,461,735 A	10/1995	Danton
3,494,656 A	2/1970	McIntire	5,483,707 A	1/1996	Meyer et al.
3,560,043 A	2/1971	Harter	5,502,850 A	4/1996	Lyne, Jr.
3,588,168 A	6/1971	Froitzheim et al.	5,505,581 A	4/1996	Gearin et al.
3,623,168 A	11/1971	Rouch	5,553,825 A	9/1996	Rasmussen
3,648,304 A	3/1972	Ogui	5,567,111 A	10/1996	Gearin et al.
3,665,527 A	5/1972	Gonzalez	5,598,591 A	2/1997	Kelley
3,680,718 A	8/1972	Miyachi	5,621,933 A	4/1997	Knapp et al.
			5,638,559 A	6/1997	Natri et al.
			5,638,560 A	6/1997	Rigdon et al.

US 7,350,850 B2

Page 3

5,701,616	A	12/1997	Rosenquist	
5,713,091	A	2/1998	Houchin	
5,768,724	A	6/1998	Buell	
5,797,712	A	8/1998	Gearin et al.	
5,822,813	A	10/1998	Powell	
5,842,586	A	12/1998	Melby	
5,943,714	A	8/1999	Dignam	
5,984,353	A	11/1999	Rasmussen	
5,984,404	A	11/1999	Novoa et al.	
6,082,805	A *	7/2000	Gray et al.	296/65 09
6,134,724	A	10/2000	Brown	
6,135,532	A	10/2000	Martin	
6,163,900	A	12/2000	Stevenson	
6,212,710	B1	4/2001	Jones	
6,231,114	B1	5/2001	Warmoth	
6,263,527	B1	7/2001	Ross et al.	
6,283,422	B1	9/2001	Stoelinga	
6,338,523	B1	1/2002	Rasmussen	
6,401,276	B1	6/2002	Sherman	
6,485,237	B1	11/2002	Sandwith	
6,493,886	B1	12/2002	Vanpage et al.	
6,505,363	B2	1/2003	Davis	
6,507,962	B2	1/2003	Thurston	
6,550,081	B2	4/2003	Vilsmeier	
6,557,190	B2	5/2003	Bailey	
6,629,322	B1	10/2003	Monroe	
6,651,273	B2	11/2003	Vilsmeier	
6,691,342	B2	2/2004	Sherman	
6,692,062	B1	2/2004	Woodard et al.	
6,698,040	B1	3/2004	Acevedo	
6,739,000	B2	5/2004	Bailey	
6,829,791	B2	12/2004	Roepke	
6,857,689	B2	2/2005	Dodgen	
6,983,980	B2 *	1/2006	Rasmussen	296/156
6,988,760	B2 *	1/2006	Rasmussen	296/156
7,121,612	B2 *	10/2006	Rasmussen	296/156
7,121,613	B1 *	10/2006	Rasmussen	296/156
2001/0030446	A1	10/2001	Lambright	
2002/0030147	A1	3/2002	Stoelinga	
2002/0046423	A1	4/2002	Vilsmeier	
2002/0056329	A1	5/2002	Rasmussen	
2002/0078500	A1	6/2002	Davis	
2002/0088052	A1	7/2002	Vilsmeier	
2002/0148041	A1	10/2002	Sherman	
2002/0178497	A1	12/2002	Thurston	
2003/0041377	A1	3/2003	Bailey	
2003/0192120	A1	10/2003	Bailey	
2004/0026958	A1	2/2004	Condino	
2004/0066060	A1	4/2004	Rasmussen	
2004/0143901	A1	7/2004	Roepke	
2004/0174031	A1	9/2004	Rasmussen	
2004/0178399	A1	9/2004	Blodgett, Jr. et al.	
2004/0262946	A1	12/2004	Rasmussen	
2004/0262947	A1	12/2004	Rasmussen	
2004/0262949	A1	12/2004	Rasmussen	
2005/0001449	A1	1/2005	Rasmussen	
2005/0015875	A1	1/2005	Dodgen	
2005/0184547	A1	8/2005	Rasmussen	
2005/0189777	A1	9/2005	Rasmussen	
2005/0217021	A1	10/2005	Gardner	
2005/0239586	A1	10/2005	Nebel	
2006/0066131	A1	3/2006	Nebel	
2006/0107458	A1	5/2006	Stevenson	

DE	1 654 268	4/1971
DE	2 040 878	5/1972
DE	2 227 174	12/1973
DE	2 228 898	1/1974
DE	23 47 275 A1	4/1975
DE	27 50 276 A1	5/1979
DE	29 23 223 A1	12/1980
DE	29 27 166 A1	1/1981
DE	32 25 758 A1	1/1984
DE	32 33 569 A1	3/1984
DE	32 34 687 A1	3/1984
DE	34 43 334 A1	6/1986
DE	87 00 158 U1	8/1987
DE	89 03 045 U1	7/1989
DE	38 30 980 A1	3/1990
DE	89 13 590 U1	8/1990
DE	91 08 135 U1	10/1991
DE	42 21 516 A1	1/1993
DE	43 04 175 C1	2/1994
DE	94 02 102 U1	6/1994
DE	94 10 592 U1	1/1995
DE	44 25 680 A1	1/1996
DE	298 16 657 U1	5/1999
DE	198 56 039 A1	9/1999
DE	200 03 872 U1	11/2000
DE	101 53 448 A1	5/2003
EP	0 418 415 B1	3/1991
EP	0 469 212 A1	2/1992
EP	0 732 070 B1	9/1996
FR	2 206 212	6/1974
FR	2 244 660 A1	4/1975
FR	2 420 946 A1	10/1979
FR	2 456 493 A1	12/1980
FR	2 482 536 A3	11/1981
FR	2 556 947 A1	6/1985
FR	2 584 283 A1	1/1987
FR	2 616 309 A1	12/1988
FR	2 633 814 A1	1/1990
FR	2 659 005 A1	9/1991
FR	2 668 347 A1	4/1992
FR	2 668 348 A1	4/1992
FR	2 670 100 A1	6/1992
FR	2 675 360 A1	10/1992
FR	2 675 986 A1	11/1992
FR	2 680 087 A1	2/1993
FR	2 689 741 A1	10/1993
FR	2 713 898 A1	6/1995
FR	2 720 243 A1	12/1995
FR	2 729 062 A1	7/1996
FR	2 826 844 A1	1/2003
GB	167984	8/1921
GB	2 147 500 A	5/1985
GB	2 276 315 A	9/1994
GB	2 356 134 A	5/2001
JP	54-61718	5/1979
WO	WO 88/05734 A1	8/1988
WO	WO 88/09271 A1	12/1988
WO	WO 91/10385 A1	7/1991
WO	WO 92/05728 A1	4/1992
WO	WO 92/10120 A1	6/1992
WO	WO 96/41558 A1	12/1996
WO	WO 00/40123 A1	7/2000
WO	WO 02/096241 A1	12/2002
WO	WO 03/092442 A1	11/2003
WO	WO 2004/107922 A1	12/2004

FOREIGN PATENT DOCUMENTS

BE	1009736 A6	7/1997
CA	1069225 A	1/1980
CA	2 351 214 A1	12/2002
CH	671 868 A5	10/1989
CH	674 128 A5	5/1990
DE	81968	9/1894
DE	1 708 191	10/1955

OTHER PUBLICATIONS

Sandpiper Sport F32SP Toy Hauler, Jan. 21, 2005, 9 pages (each page is marked "LKNOFF2B"), Forest River, Inc.
 Sandpiper Sport T27RDSP Toy Hauler, Jul. 2005, 6 pages (each page is marked "FRDNBD2"), Forest River, Inc.

US 7,350,850 B2

Page 4

Aluminum Boat Hoist with Stainless Steel Hardware, Owners Manual, 1999, 16 pages, Midwest Industries, Inc., Ida Grove, Iowa.
 Bed Lift for a Toy Hauler, Jul. 8, 2004, 10 pages (each page is marked "LKNOFF2"), Lippert Components, Inc.
 Bed Lift Specs, 960001 Bed Lift System, Dec. 2, 2003, 1 page, Liftco Inc.
 Camper Bunk Option, see IDS for date, 1 page, Northwood Manufacturing.
 Cargo/Bed Lift, Jan. 12, 2005, 1 page, Race Trailer Products.
 Continuous Vertical Conveyors, Dec. 31, 2001, 5 pages, Omni Metalcraft Corp.
 Desert Fox Toy Hauler, Feb. 26, 2004, 22 pages (each page is marked "LKNOFF1"), Northwood Manufacturing.
 Desert Fox Toy Hauler, Jan. 2004, 13 pages (each page is marked "LSTR"), Northwood Manufacturing.
 Dual Electric Rear Bunks In '06, need a exact measurement, first post dated Sep. 27, 2004, 5 pages, www.glamisdunes.com.
 East Lift Bed, see IDS for date, 2 pages (each page is marked "FRELB"), Forest River, Inc.
 Genetics J500, May 5, 2005, 9 pages, Caravan.it.
 Genetics, Serie Genetics J500/X700/K900, Mar. 16, 2005, 15 pages, Giottiline.
 Installation Manual, SS7000, SS7000XLT, SS7000N, Jan. 2002, 56 pages, Eagle Equipment Inc.
 International Search Report for PCT/US04/025360, Nov. 30, 2005, 5 pgs.
 K-Z Sportster 33SPL, May 6, 2004, 8 pages (each page is marked "KZ33SPL"), Terry Vaughn RVs, Texas.
 Reciprocating Vertical Conveyors, Dec. 31, 2001, 5 pages, Omni Metalcraft Corp.
 RTS3688TE Stacker Trailer, see IDS for date, 12 pages (each page is marked "RTS3688TE"), Classic Manufacturing Inc.

Sandpiper Sport Toy Hauler, Sep. 2005, 19 pages (each page is marked "FRDNBD"), Forest River, Inc.
 ShoreStation Aluminum V-Frame Hoist, Oct. 9, 2003, 23 pages, Midwest Industries Inc., Ida Grove, Iowa.
 Super Trick Options from RTP, Nov. 2, 2004, 3 pages, Toyhauler Magazine.
 Tahoe, Nov. 2002, 12 pages, Thor California, Moreno Valley, California.
 The Futon Primer, 2000, 31 pages, FutonLife.
 Toy Hauler with Bed Lift, Oct. 10, 2003, 12 pages (each page is marked "MSTR"), Monaco Coach Corporation.
 Toy Hauler with Bed Lift, Oct. 15, 2004, 10 pages (each page is marked "LKNOFF2A").
 Toy Hauler with Bed Lift, Oct. 15, 2004, 20 pages (each page is marked "WWSTRCB"), Weekend Warrior, Inc.
 Toy Hauler with Bed Lift, Oct. 15, 2004, 5 pages (each page is marked "MBBSTR"), Monaco Coach Corporation.
 Toy Hauler with Bed Lift, Oct. 15, 2004, 8 pages (each page is marked "ACTCAB"), Edge RV.
 Toy Hauler with Couch/Bed, Nov. 2004, 12 pages (each page is marked "EFSCB"), EFS Industries, Inc.
 Toy Hauler with Couch/Bed, Sep. 2005, 14 pages (each page is marked "SETECB"), Seating Technology, Inc.
 Toy Hauler(s) with Bed Lift, Mar. 2005, 26 pages (each page is marked "LKNOFF3").
 Work and Play, DB Model, see IDS for date, 1 page, Forest River, Inc.
 Work and Play, FK Model, see IDS for date, 1 page, Forest River, Inc.

* cited by examiner

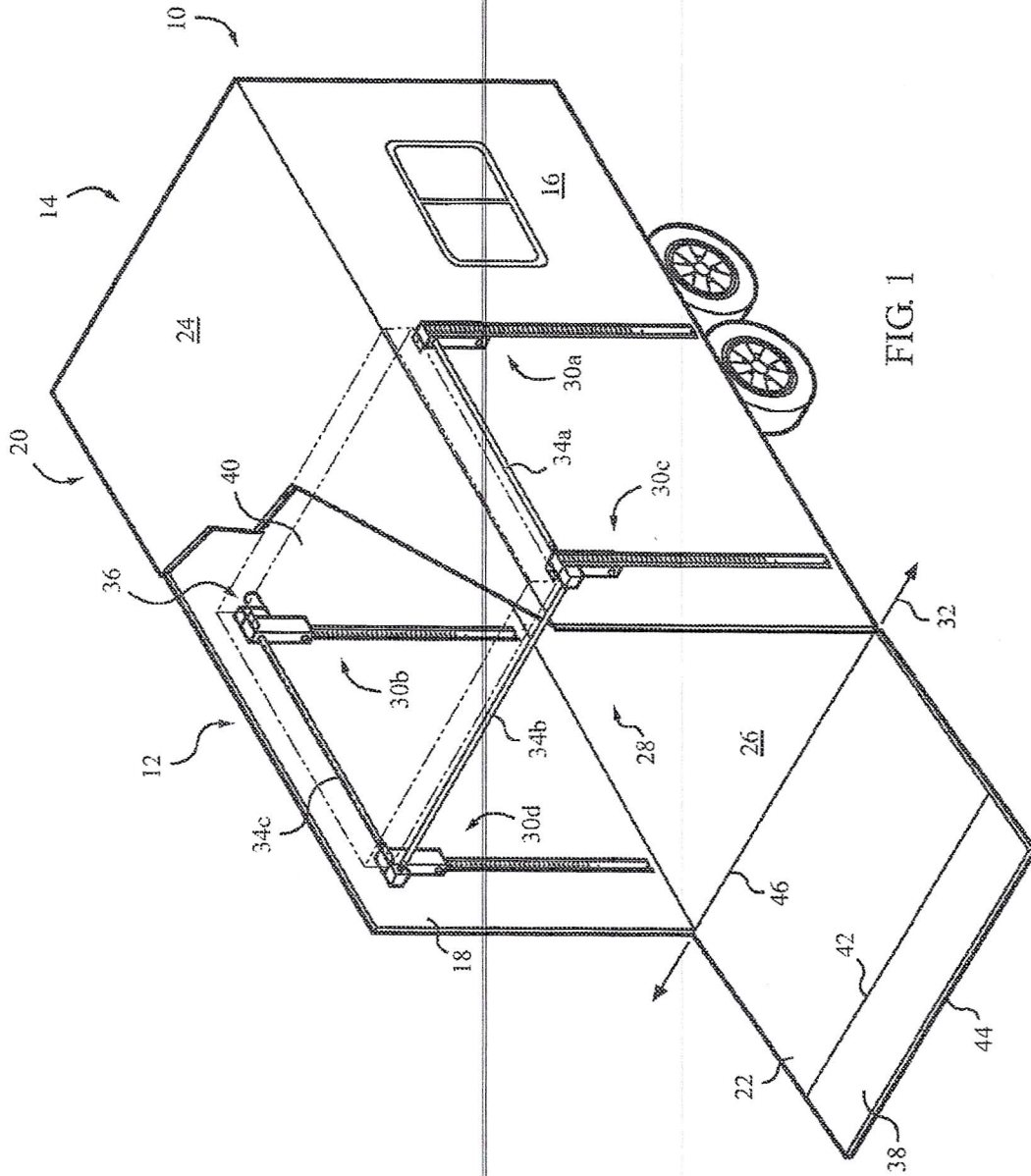


FIG. 1