

EXHIBIT 31 c

568,551
08 235605

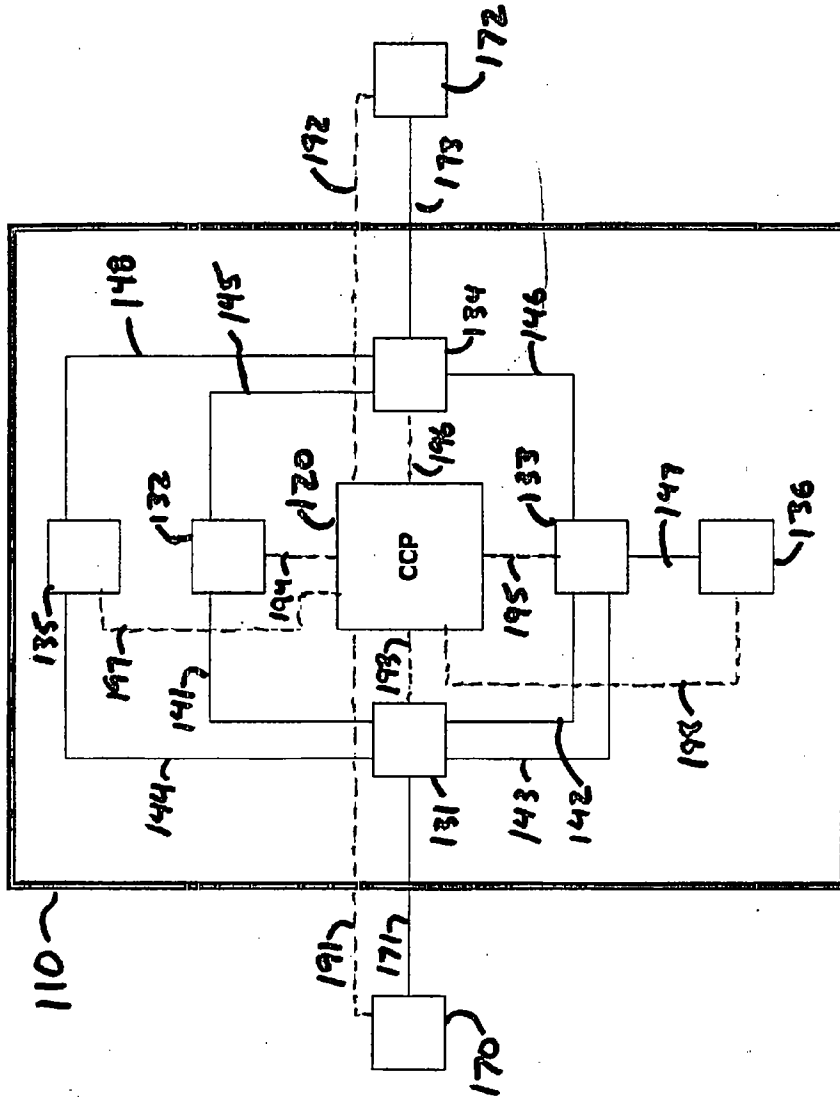


FIGURE 1

1

568,551
08 22816215

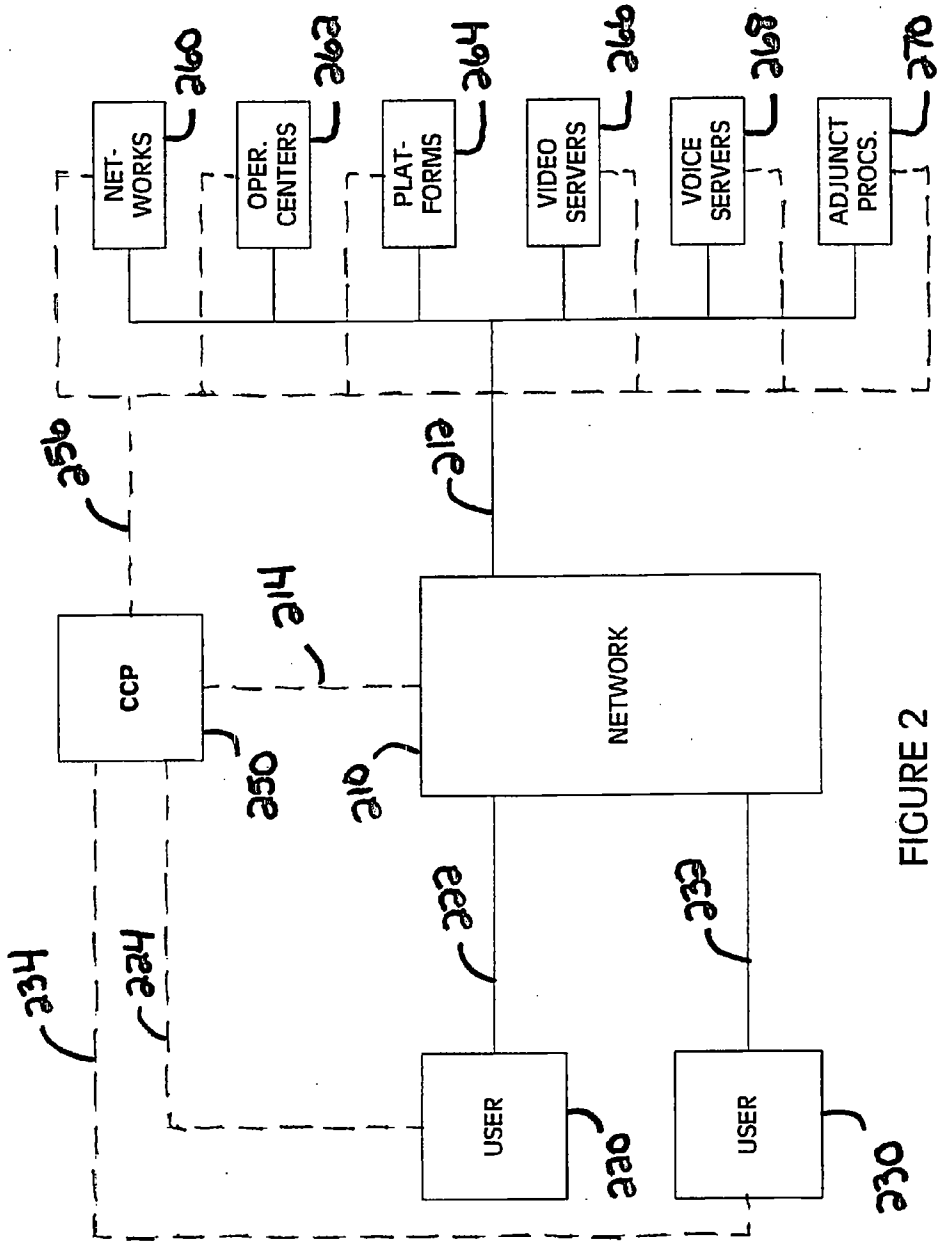


FIGURE 2

568,551
~~568,551~~

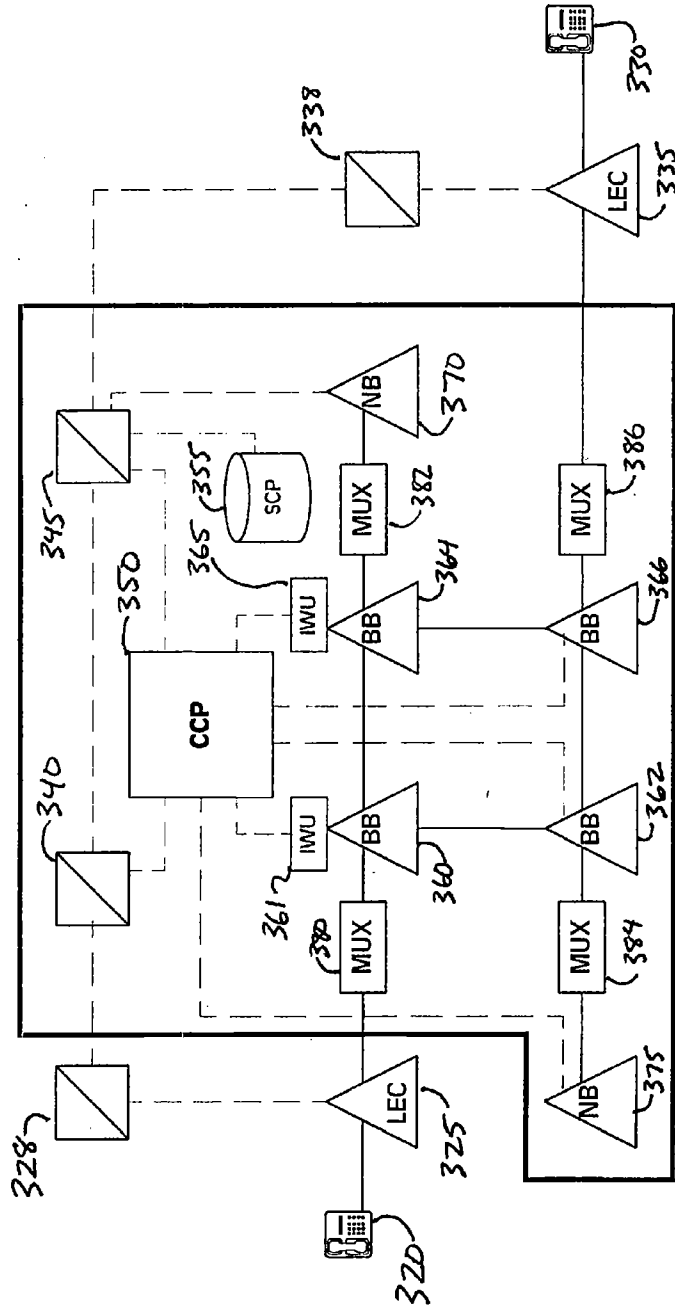


FIGURE 3

568,551
08 ~~236-12~~

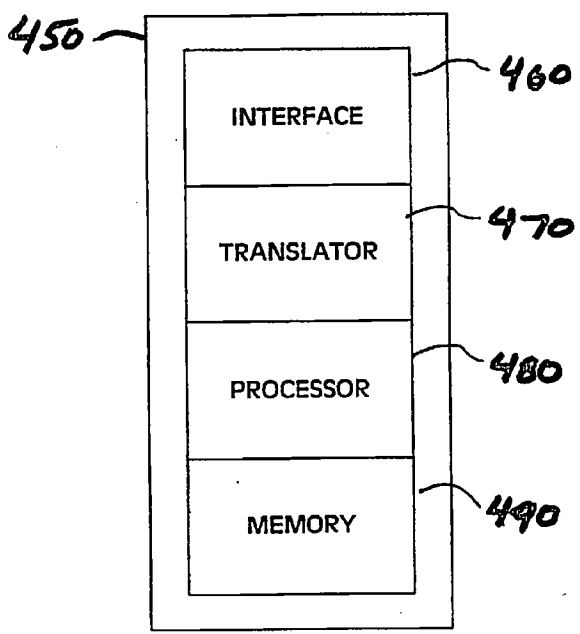


FIGURE 4

DB 200803
568,551

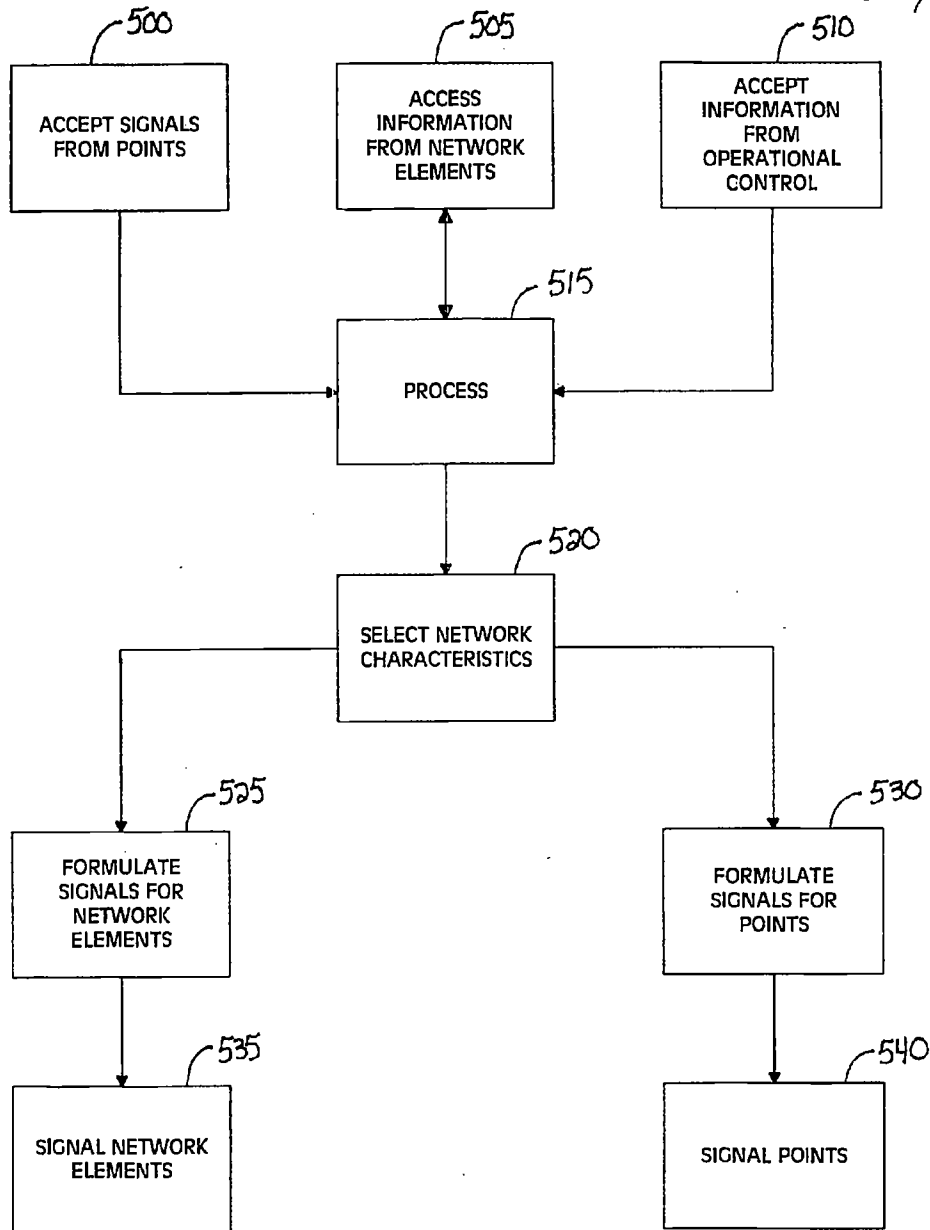


FIGURE 5

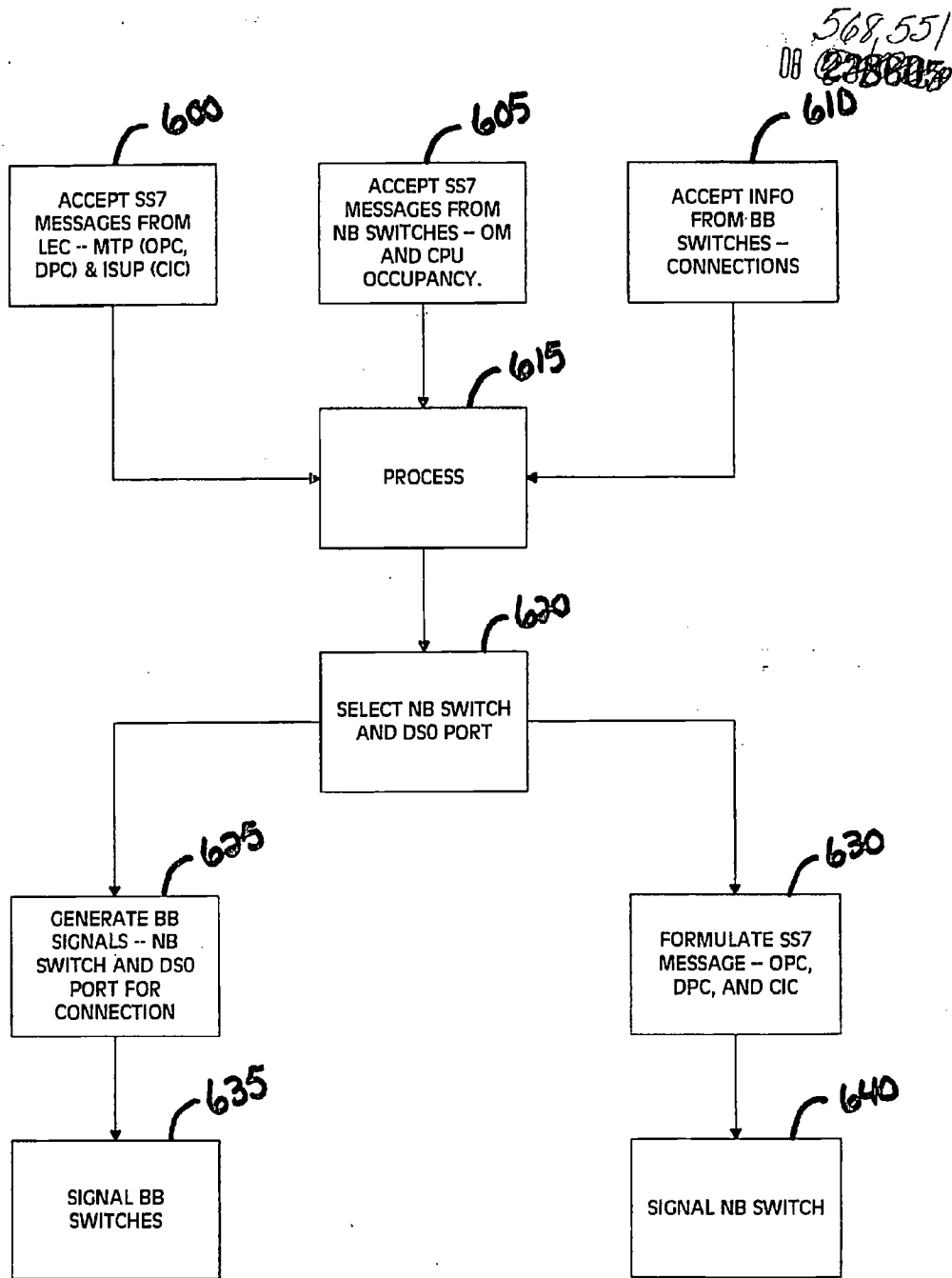


FIGURE 6

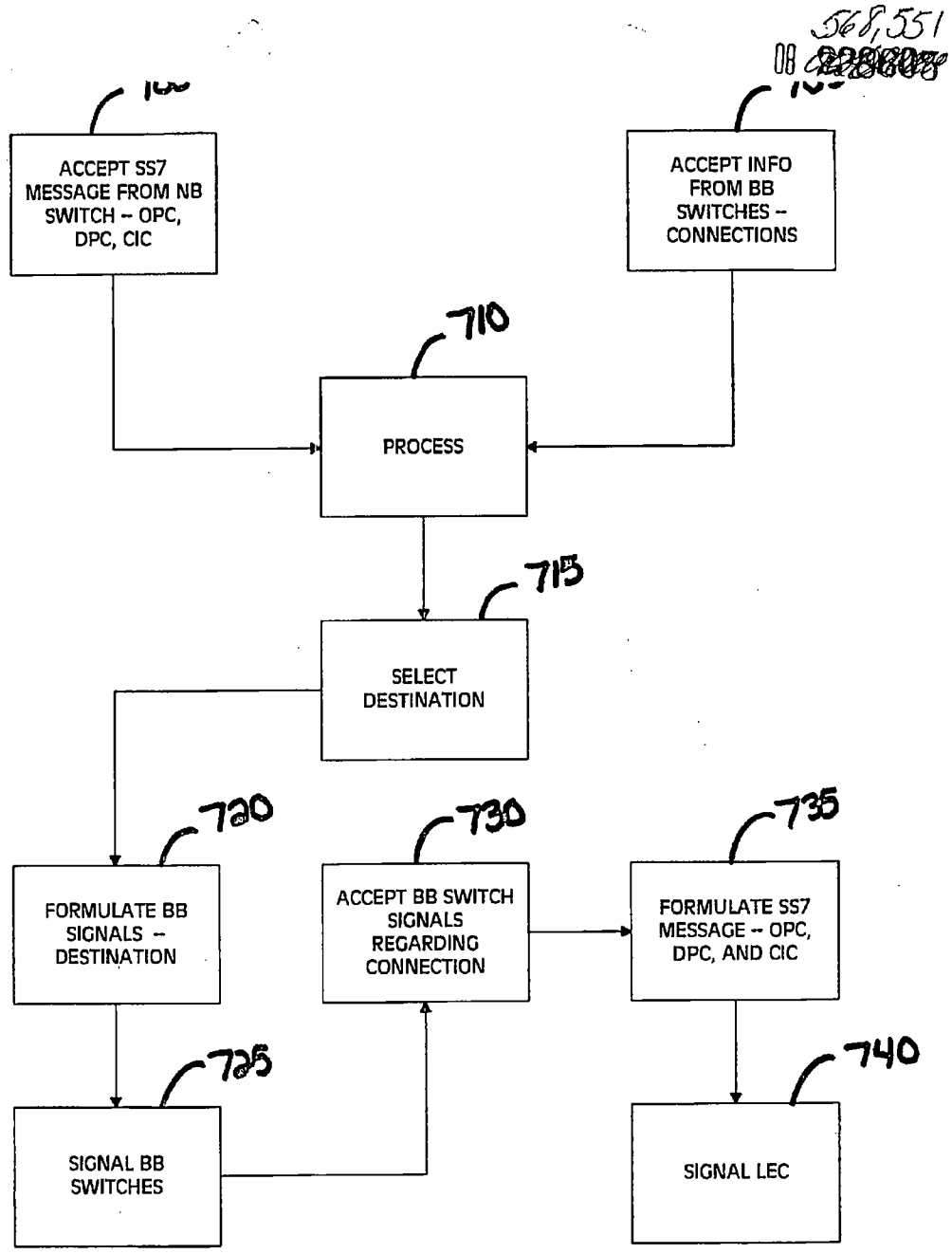


FIGURE 7

08 ~~028005~~
568,551

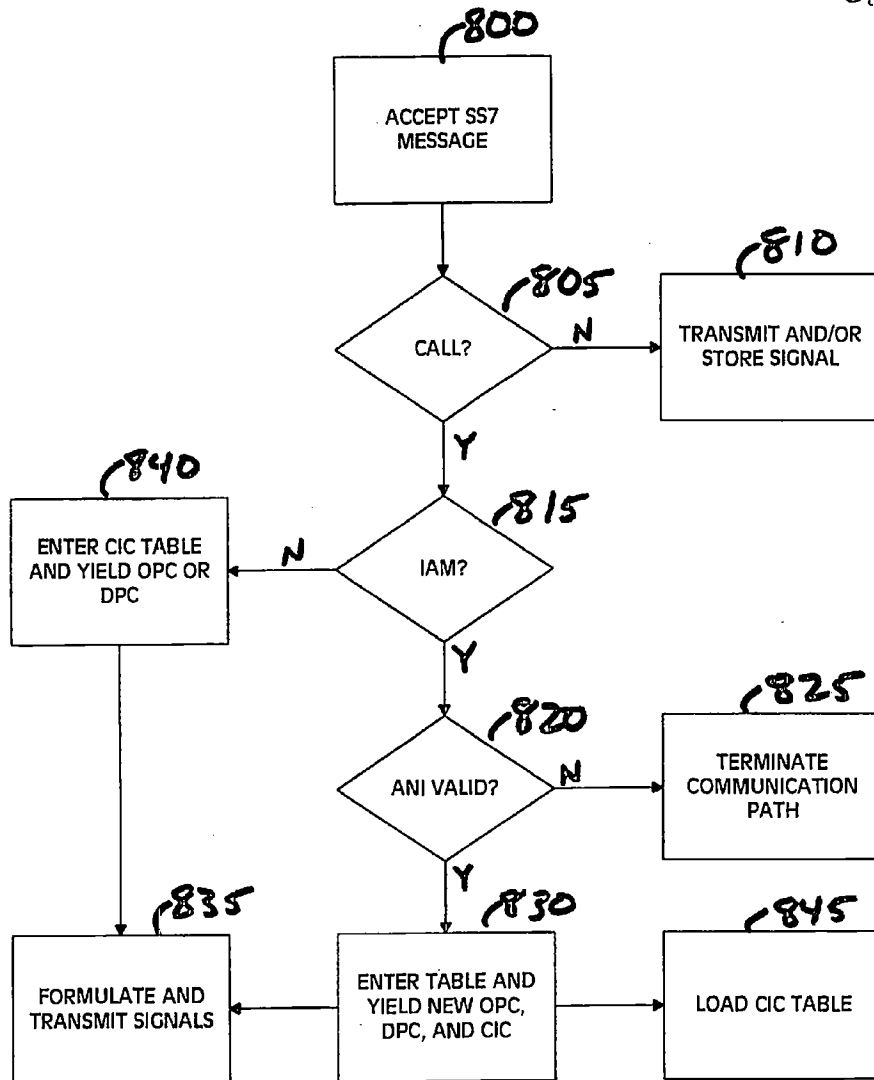


FIGURE 8

PRINT OF DRAWINGS
AS ORIGINALLY FILED

370/58.2
Blum

568,551
OR ~~238802~~

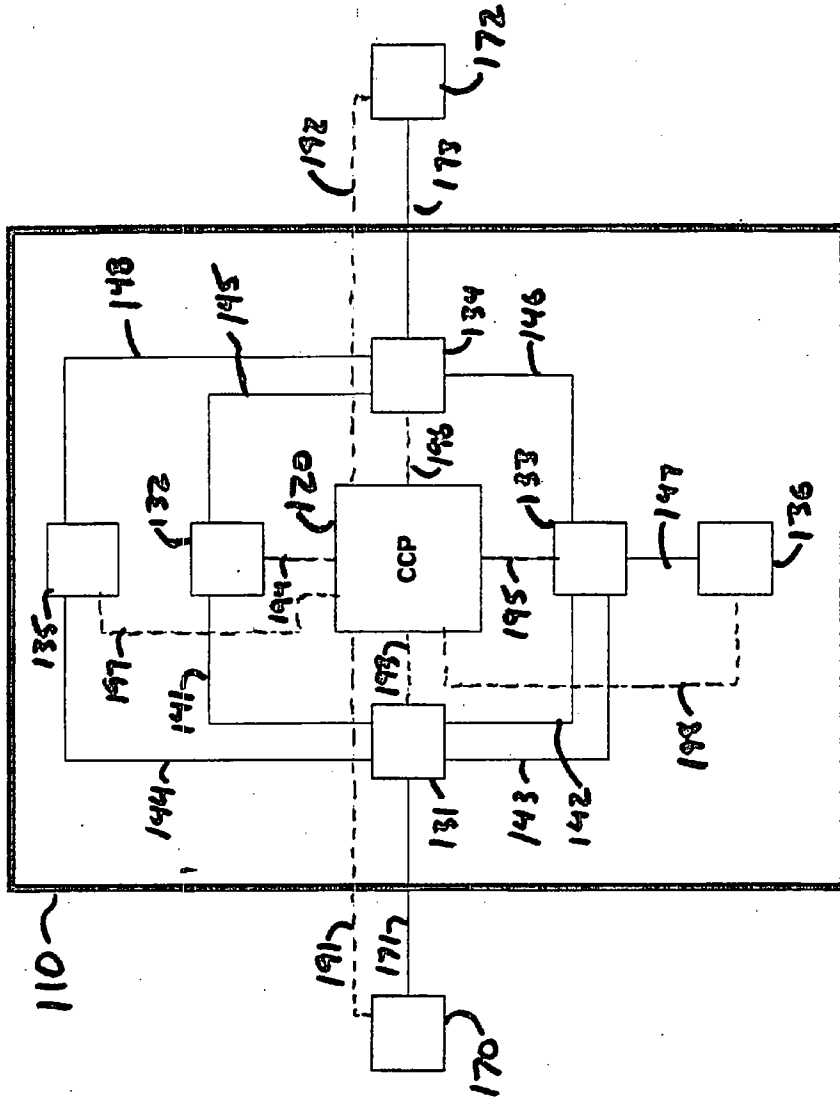


FIGURE 1

PRINT OF DRAWINGS
AS ORIGINALLY FILED

568,551
08 ~~2007~~

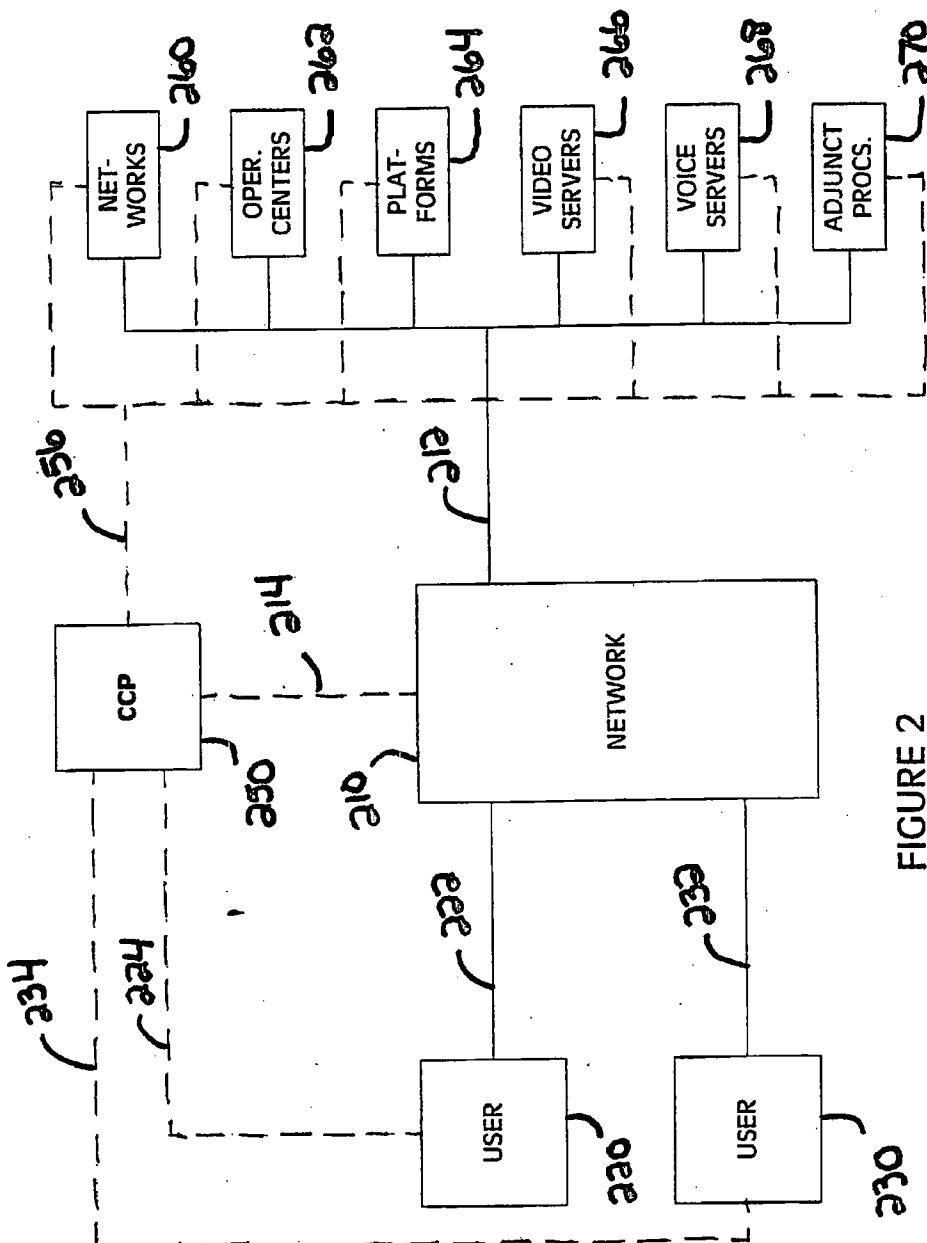


FIGURE 2

PRINT OF DRAWINGS
AS ORIGINALLY FILED

08 2/18/05
568,551

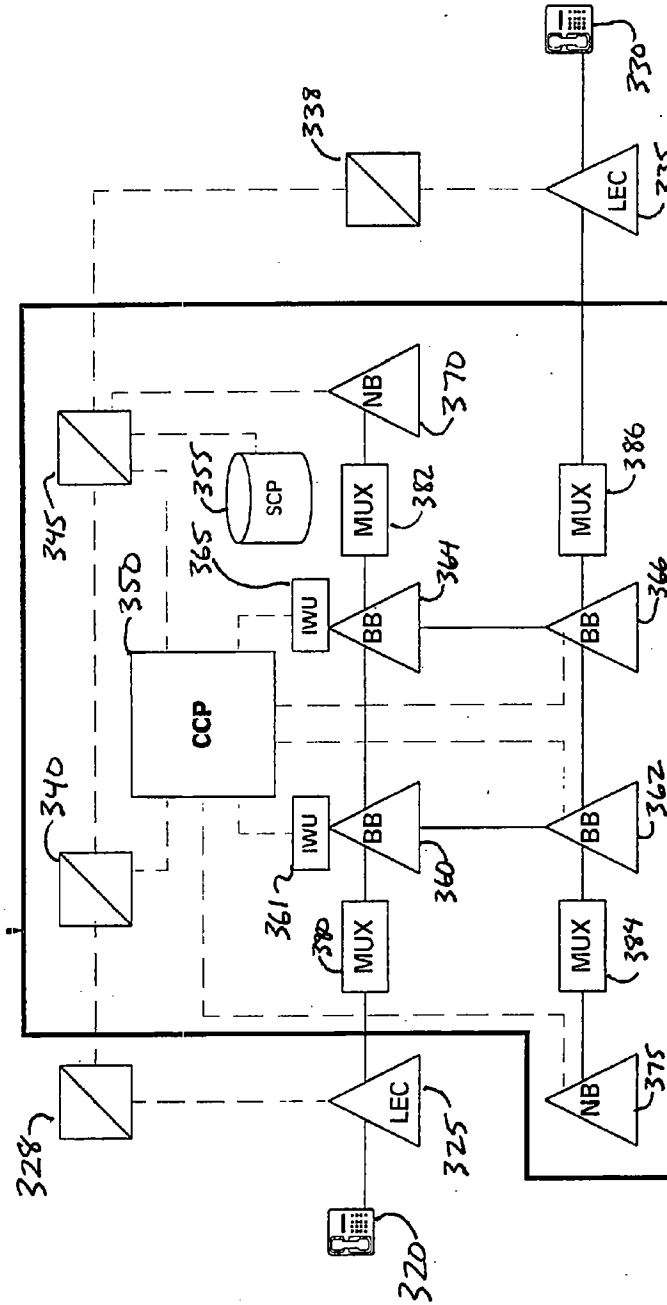


FIGURE 3

PRINT OF DRAWINGS
AS ORIGINALLY FILED

08 ~~088003~~
568, 551

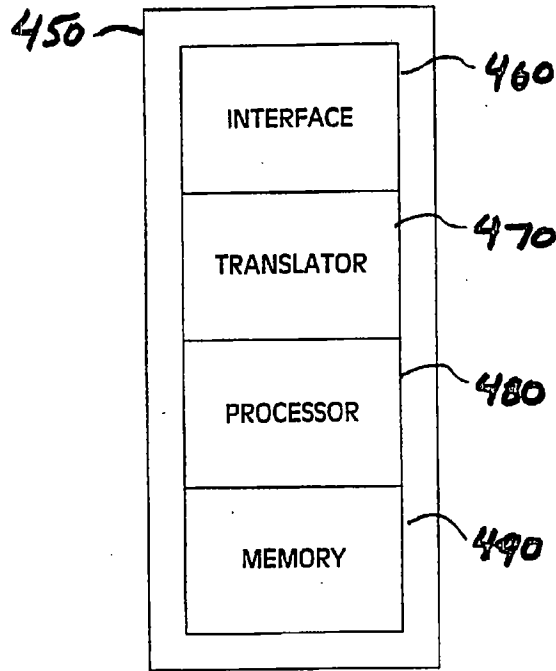


FIGURE 4

PRINT OF DRAWINGS
AS ORIGINALLY FILED

DB 200807
568,551

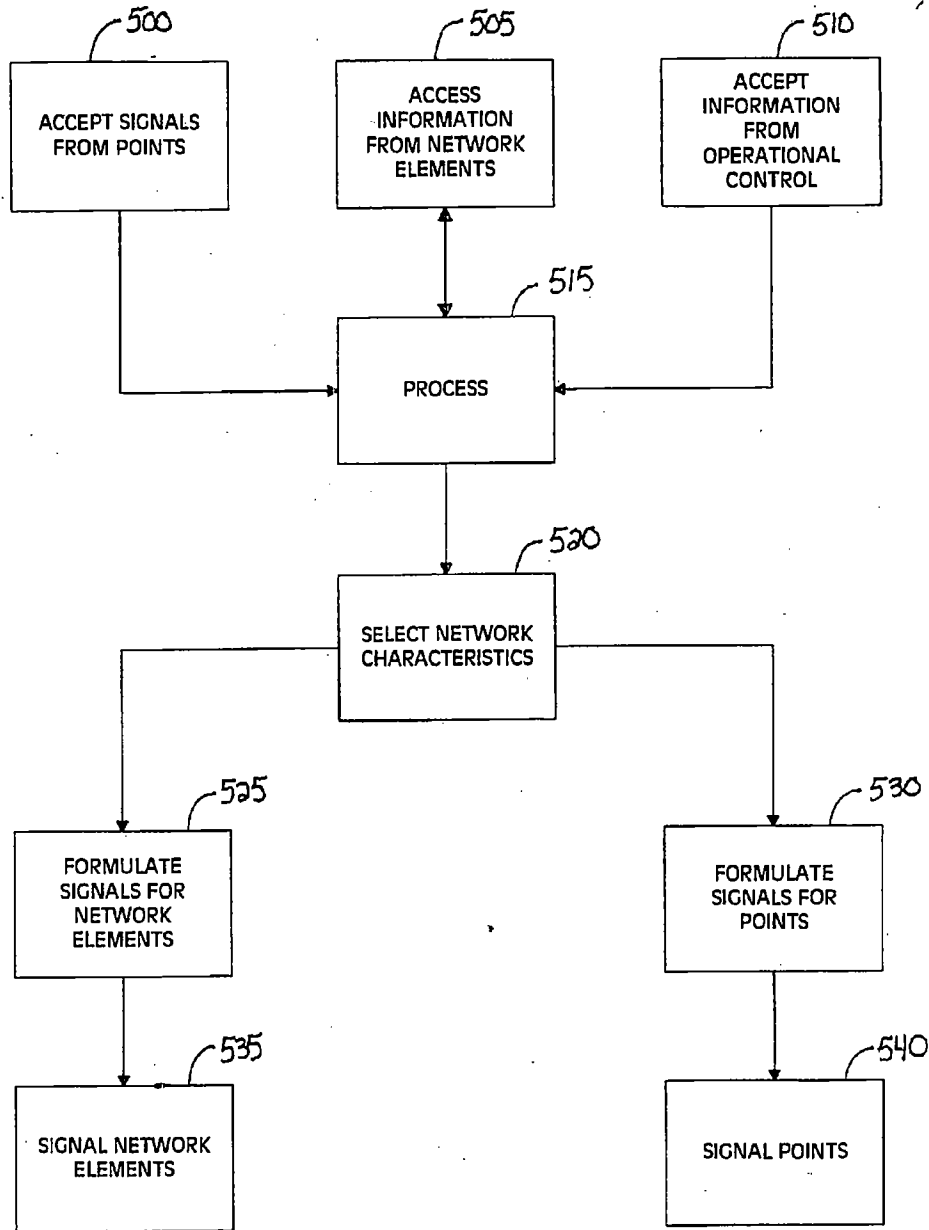


FIGURE 5

PRINT OF DRAWINGS
AS ORIGINALLY FILED

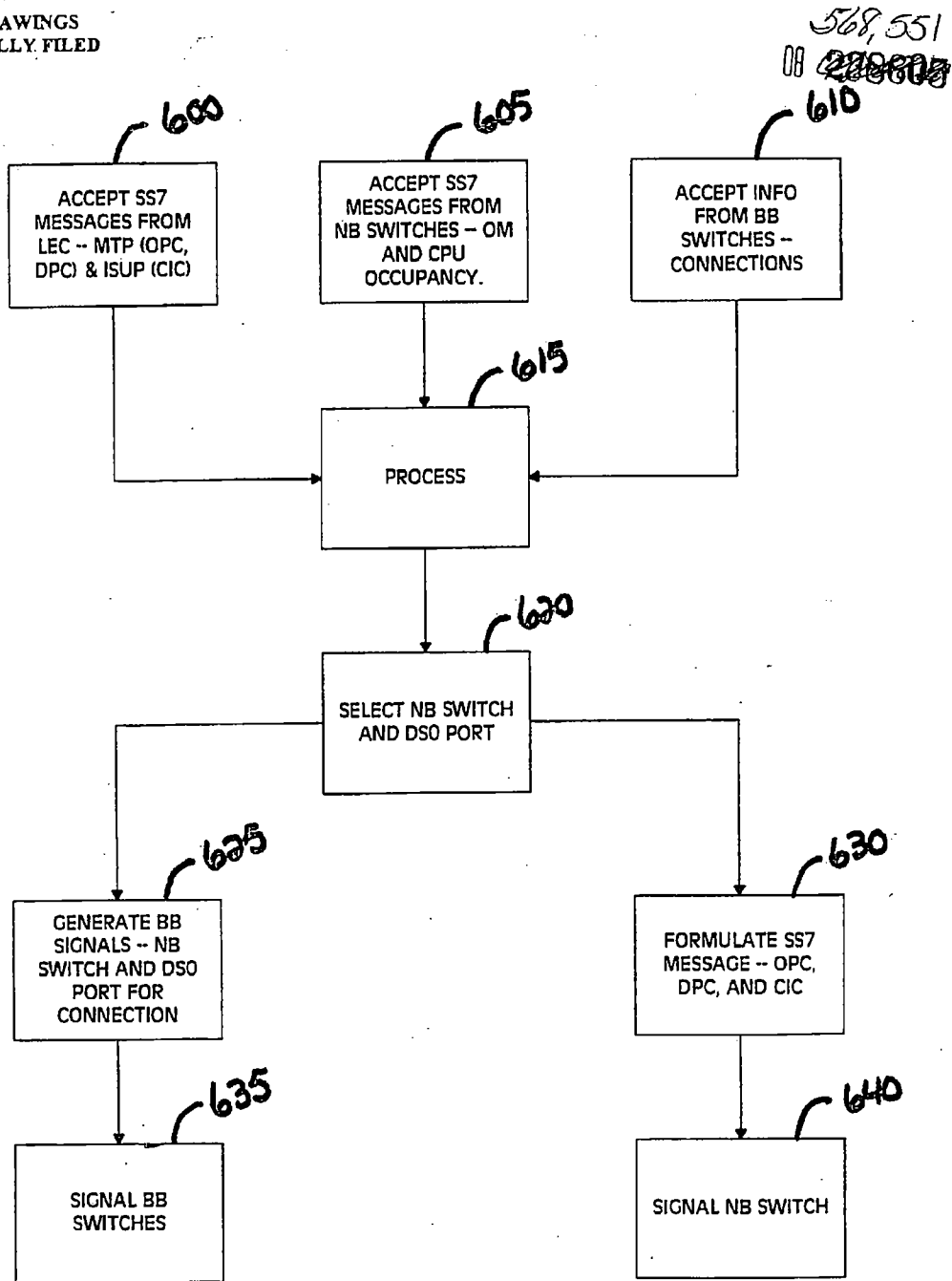


FIGURE 6

PRINT OF DRAWINGS
AS ORIGINALLY FILED

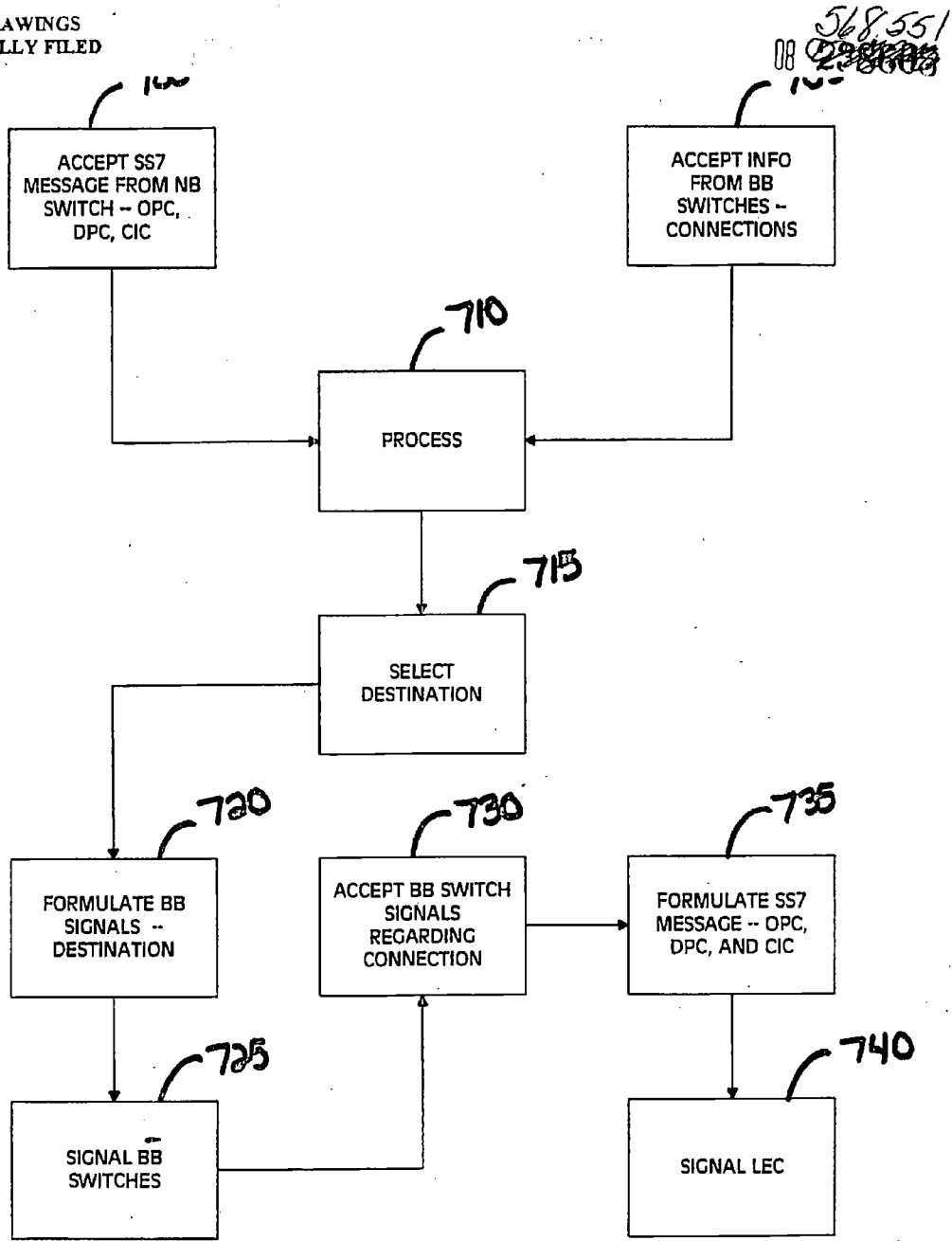


FIGURE 7

PRINT OF DRAWINGS
AS ORIGINALLY FILED

08 ~~28805~~
568,551

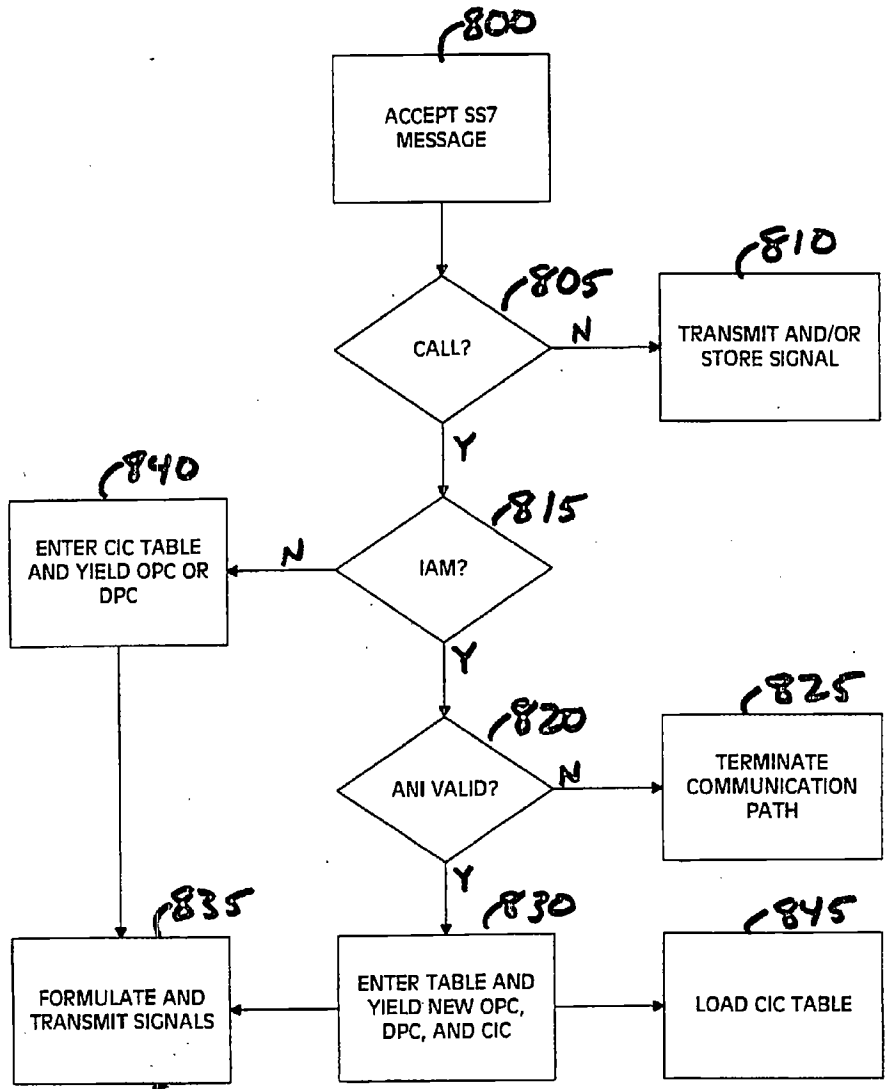


FIGURE 8

Docket SPT-1057

CERTIFICATION UNDER 37 C.F.R. 1.10

08 238605

I hereby certify that this Patent Application transmittal and the documents referred to as enclosed therein is being deposited with the United States Postal Service on this date (May 5, 1994) in an envelope known as "Express Mail," Mailing Label Number G8533201086US, addressed to: Box Patent Application, Commissioner of Patents and Trademarks, Washington, D.C. 20231.



Michael J. Setter
Harley R. Ball, Reg. No. 31,733
Michael J. Setter, Reg. No. 37,936

PATENT APPLICATION TRANSMITTAL

Hon. Commissioner of Patents and Trademarks
Washington, D.C. 20231

Transmitted herewith for filing is the following patent application:

Applicant: JOSEPH MICHAEL CHRISTIE

For: METHOD, SYSTEM AND APPARATUS FOR TELECOMMUNICATIONS CONTROL

Enclosed is:

- 8 sheets of drawing
- 41 pages of specification
- 13 pages of claims
- 1 page of abstract
- 1 Assignment
- 1 Declaration

X Please charge the required fees (calculated as follows) or any additional fees required for the filing of this application to Deposit Account No. 21-0765, US Sprint Communications Company. Three copies of this letter is enclosed for this purpose.

Basic Filing Fee		\$ 710.00
Total number of claims, (less 20)	<u>43</u> x \$22.00 =	<u>946.00</u>
Number of independent claims, (less 3)	<u>6</u> x \$74.00 =	<u>444.00</u>
Total Filing Fee		\$ <u>2,100.00</u>
Fee for Recording Assignment		\$ <u>40.00</u>

Total: \$ 2,140.00

Respectfully submitted,

Harley R. Ball
Harley R. Ball
Registration No. 31,733
Ph. (913) 624-6668

Michael J. Setter
Registration No. 37,936
Ph. (913) 624-5194

V.S.
7-29-94

08 238605

PATENT APPLICATION SERIAL NO. _____

U.S. DEPARTMENT OF COMMERCE
PATENT AND TRADEMARK OFFICE
FEE RECORD SHEET

NH20171 05/20/94 08238605 21-0765 020 101 2,100.00CH SPT-1057

PTO-1556
(5/87)



**UNITED STATES DEPARTMENT OF COMMERCE
Patent and Trademark Office**

Address: COMMISSIONER OF PATENTS AND TRADEMARKS
Washington, D.C. 20231

APPLICATION NUMBER	FILING DATE	FIRST NAMED APPLICANT	ATTORNEY DOCKET NO.
--------------------	-------------	-----------------------	---------------------

08/568,551	12/07/95	CHRISTIE	J SPT-1057
------------	----------	----------	------------

EXAMINER

LM61/0217

SPRINT COMMUNICATIONS COMPANY
8140 WARD PARKWAY FIFTH FLOOR
MS MOKCMP0506
KANSAS CITY MO 64114

ART UNIT	DATE	PAPER NUMBER
		24

2732

DATE MAILED:

02/17/98

This is a communication from the examiner in charge of your application.
COMMISSIONER OF PATENTS AND TRADEMARKS

NOTICE OF ALLOWABILITY

All claims being allowable, PROSECUTION ON THE MERITS IS (OR REMAINS) CLOSED in this application. If not included herewith (or previously mailed), a Notice of Allowance and Issue Fee Due or other appropriate communication will be mailed in due course.

- This communication is responsive to the amendment filed 12/9/97.
- The allowed claim(s) is/are 121-146, 149, 171-218 renumbered 1-115 respectively
- The drawings filed on _____ are acceptable.
- Acknowledgement is made of a claim for foreign priority under 35 U.S.C. § 119(a)-(d).
 - All Some* None of the CERTIFIED copies of the priority documents have been
 - received.
 - received in Application No. (Series Code/Serial Number) _____
 - received in this national stage application from the International Bureau (PCT Rule 17.2(a)).

*Certified copies not received: _____

- Acknowledgement is made of a claim for domestic priority under 35 U.S.C. § 119(e).

A SHORTENED STATUTORY PERIOD FOR RESPONSE to comply with the requirements noted below is set to EXPIRE **THREE MONTHS** FROM THE "DATE MAILED" of this Office action. Failure to timely comply will result in ABANDONMENT of this application. Extensions of time may be obtained under the provisions of 37 CFR 1.136(a).

- Note the attached EXAMINER'S AMENDMENT or NOTICE OF INFORMAL APPLICATION, PTO-152, which discloses that the oath or declaration is deficient. A SUBSTITUTE OATH OR DECLARATION IS REQUIRED.
- Applicant **MUST** submit **NEW FORMAL DRAWINGS**
 - because the originally filed drawings were declared by applicant to be informal.
 - Including changes required by the Notice of Draftperson's Patent Drawing Review, PTO-948, attached hereto or to Paper No. 2.
 - Including changes required by the proposed drawing correction filed on 4/19/99, which has been approved by the examiner.
 - including changes required by the attached Examiner's Amendment/Comment.

Identifying indicia such as the application number (see 37 CFR 1.84(c)) should be written on the reverse side of the drawings. The drawings should be filed as a separate paper with a transmittal letter addressed to the Official Draftperson.

- Note the attached Examiner's comment regarding REQUIREMENT FOR THE DEPOSIT OF BIOLOGICAL MATERIAL.

Any response to this letter should include, in the upper right hand corner, the APPLICATION NUMBER (SERIES CODE/SERIAL NUMBER). If applicant has received a Notice of Allowance and Issue Fee Due, the ISSUE BATCH NUMBER and DATE of the NOTICE OF ALLOWANCE should also be included.

Attachment(s)

- Notice of References Cited, PTO-892
- Information Disclosure Statement(s), PTO-1449, Paper No(s). 23
- Notice of Draftperson's Patent Drawing Review, PTO-948
- Notice of Informal Patent Application, PTO-152
- Interview Summary, PTO-413
- Examiner's Amendment/Comment
- Examiner's Comment Regarding Requirement for Deposit of Biological Material
- Examiner's Statement of Reasons for Allowance



UNITED STATES DEPARTMENT OF COMMERCE
Patent and Trademark Office

NOTICE OF ALLOWANCE AND ISSUE FEE DUE

LM61/0217

SPRINT COMMUNICATIONS COMPANY
8140 WARD PARKWAY FIFTH FLOOR
MS MOKCMP0506
KANSAS CITY MO 64114

APPLICATION NO.	FILING DATE	TOTAL CLAIMS	EXAMINER AND GROUP	ART UNIT	DATE MAILED
08/568,551	12/07/95	115	PATEL, A		2732 02/17/98

First Named Applicant	CHRISTIE, JOSEPH M.
-----------------------	---------------------

TITLE OF INVENTION: METHOD, SYSTEM AND APPARATUS FOR TELECOMMUNICATIONS CONTROL

ATTY'S DOCKET NO.	CLASS-SUBCLASS	BATCH NO.	APPLN. TYPE	SMALL ENTITY	FEE DUE	DATE DUE
2	SPT-1057	370-522,000	ASE UTILITY	NO	\$1320.00	05/18/98

THE APPLICATION IDENTIFIED ABOVE HAS BEEN EXAMINED AND IS ALLOWED FOR ISSUANCE AS A PATENT. PROSECUTION ON THE MERITS IS CLOSED.

THE ISSUE FEE MUST BE PAID WITHIN THREE MONTHS FROM THE MAILING DATE OF THIS NOTICE OR THIS APPLICATION SHALL BE REGARDED AS ABANDONED. THIS STATUTORY PERIOD CANNOT BE EXTENDED.

HOW TO RESPOND TO THIS NOTICE:

I. Review the SMALL ENTITY status shown above.

If the SMALL ENTITY is shown as YES, verify your current SMALL ENTITY status:

- A. If the status is changed, pay twice the amount of the FEE DUE shown above and notify the Patent and Trademark Office of the change in status, or
- B. If the status is the same, pay the FEE DUE shown above.

If the SMALL ENTITY is shown as NO:

- A. Pay FEE DUE shown above, or
- B. File verified statement of Small Entity Status before, or with, payment of 1/2 the FEE DUE shown above.

II. Part B-Issue Fee Transmittal should be completed and returned to the Patent and Trademark Office (PTO) with your ISSUE FEE. Even if the ISSUE FEE has already been paid by charge to deposit account, Part B Issue Fee Transmittal should be completed and returned. If you are charging the ISSUE FEE to your deposit account, section "4b" of Part B-Issue Fee Transmittal should be completed and an extra copy of the form should be submitted.

III. All communications regarding this application must give application number and batch number. Please direct all communications prior to issuance to Box ISSUE FEE unless advised to the contrary.

IMPORTANT REMINDER: Utility patents issuing on applications filed on or after Dec. 12, 1980 may require payment of maintenance fees. It is patentee's responsibility to ensure timely payment of maintenance fees when due.



UNITED STATES DEPARTMENT OF COMMERCE
Patent and Trademark Office
Address: COMMISSIONER OF PATENTS AND TRADEMARKS
Washington, D.C. 20231

APPLICATION NUMBER	FILING DATE	FIRST NAMED APPLICANT	ATTORNEY DOCKET NO.
--------------------	-------------	-----------------------	---------------------

08/568,551 12/07/95 CHRISTIE J SPT-1057

EXAMINER

LM61/0316
SPRINT COMMUNICATIONS COMPANY
8140 WARD PARKWAY FIFTH FLOOR
MS MOKCMPOS06
KANSAS CITY MO 64114

PATENT	PAPER NUMBER
--------	--------------

ART UNIT PAPER NUMBER
2732

DATE MAILED: 07/06/98
PATENT EXAMINER

This is a communication from the examiner in charge of your application.
COMMISSIONER OF PATENTS AND TRADEMARKS

supplemental NOTICE OF ALLOWABILITY

All claims being allowable, PROSECUTION ON THE MERITS IS (OR REMAINS) CLOSED in this application. If not included herewith (or previously mailed), a Notice of Allowance and Issue Fee Due or other appropriate communication will be mailed in due course.

- This communication is responsive to _____
- The allowed claim(s) is/are 121-146, 149, 171-212 remembered 1-115 respectively
- The drawings filed on _____ are acceptable.
- Acknowledgement is made of a claim for foreign priority under 35 U.S.C. § 119(a)-(d).
 - All Some* None of the CERTIFIED copies of the priority documents have been
 - received.
 - received in Application No. (Series Code/Serial Number) _____
 - received in this national stage application from the International Bureau (PCT Rule 17.2(a)).

*Certified copies not received: _____

- Acknowledgement is made of a claim for domestic priority under 35 U.S.C. § 119(e).

A SHORTENED STATUTORY PERIOD FOR RESPONSE to comply with the requirements noted below is set to EXPIRE THREE MONTHS FROM THE "DATE MAILED" of this Office action. Failure to timely comply will result in ABANDONMENT of this application. Extensions of time may be obtained under the provisions of 37 CFR 1.136(a).

- Note the attached EXAMINER'S AMENDMENT or NOTICE OF INFORMAL APPLICATION, PTO-152, which discloses that the oath or declaration is deficient. A SUBSTITUTE OATH OR DECLARATION IS REQUIRED.
- Applicant MUST submit NEW FORMAL DRAWINGS
 - because the originally filed drawings were declared by applicant to be informal.
 - including changes required by the Notice of Draftperson's Patent Drawing Review, PTO-948, attached hereto or to Paper No. 2
 - including changes required by the proposed drawing correction filed on 4/12/97, which has been approved by the examiner.
 - including changes required by the attached Examiner's Amendment/Comment.

Identifying indicia such as the application number (see 37 CFR 1.84(c)) should be written on the reverse side of the drawings. The drawings should be filed as a separate paper with a transmittal letter addressed to the Official Draftperson.

- Note the attached Examiner's comment regarding REQUIREMENT FOR THE DEPOSIT OF BIOLOGICAL MATERIAL.

Any response to this letter should include, in the upper right hand corner, the APPLICATION NUMBER (SERIES CODE/SERIAL NUMBER). If applicant has received a Notice of Allowance and Issue Fee Due, the ISSUE BATCH NUMBER and DATE of the NOTICE OF ALLOWANCE should also be included.

Attachment(s)

- Notice of References Cited, PTO-892
- Information Disclosure Statement(s), PTO-1449, Paper No(s). _____
- Notice of Draftperson's Patent Drawing Review, PTO-948
- Notice of Informal Patent Application, PTO-152
- Interview Summary, PTO-413
- Examiner's Amendment/Comment
- Examiner's Comment Regarding Requirement for Deposit of Biological Material
- Examiner's Statement of Reasons for Allowance