

Exhibit B

(Reexamination Certificate for
TimeBase's U.S. Patent No. 6,233,592 C1)

to

TimeBase's Response to Defendants'
Motion for Summary Judgment



US006233592C1

(12) **EX PARTE REEXAMINATION CERTIFICATE** (6801st)
United States Patent
Schnelle et al.

(10) **Number:** **US 6,233,592 C1**
(45) **Certificate Issued:** **May 5, 2009**

- (54) **SYSTEM FOR ELECTRONIC PUBLISHING**
- (75) Inventors: **Christoph Schnelle**, New South Wales (AU); **Abha Lessing**, New South Wales (AU); **Peter Mariani**, New South Wales (AU)
- (73) Assignee: **Time Base Pty Limited**, Sydney, New South Wales (AU)

5,740,425 A	4/1998	Povilus
5,835,087 A	11/1998	Herz et al.
5,892,513 A	4/1999	Fay
5,935,210 A	8/1999	Stark
5,963,208 A	10/1999	Dolan et al.
6,026,388 A	2/2000	Liddy et al.
6,144,962 A	11/2000	Weinberg et al.
6,185,576 B1	2/2001	McIntosh
6,189,019 B1	2/2001	Blumer et al.
6,421,656 B1	7/2002	Cheng et al.
6,502,101 B1	12/2002	Verprauskus et al.
6,529,905 B1	3/2003	Bray et al.
6,542,911 B2	4/2003	Chakraborty et al.
6,581,062 B1	6/2003	Draper et al.
6,584,459 B1	6/2003	Chang et al.
6,584,480 B1	6/2003	Ferrel et al.
6,601,065 B1	7/2003	Nelson et al.

Reexamination Request:
No. 90/008,450, Jan. 29, 2007

Reexamination Certificate for:
Patent No.: **6,233,592**
Issued: **May 15, 2001**
Appl. No.: **09/108,999**
Filed: **Jul. 1, 1998**

(Continued)

Related U.S. Application Data

- (63) Continuation of application No. PCT/AU98/00050, filed on Jan. 30, 1998.
- (51) **Int. Cl.**
G06F 17/30 (2006.01)
G06F 17/21 (2006.01)
- (52) **U.S. Cl.** **715/205; 707/E17.013; 715/848**
- (58) **Field of Classification Search** **715/205, 715/848; 707/E17.013**
See application file for complete search history.

References Cited

U.S. PATENT DOCUMENTS

4,558,413 A	12/1985	Schmidt et al.
4,627,019 A	12/1986	Ng
4,714,992 A	12/1987	Gladney et al.
4,853,843 A	8/1989	Ecklund
4,875,159 A	10/1989	Cary et al.
5,287,496 A	2/1994	Chen et al.
5,302,660 A	4/1994	Klinksiek et al.
5,355,472 A	10/1994	Lewis
5,732,257 A	3/1998	Atkinson et al.

OTHER PUBLICATIONS

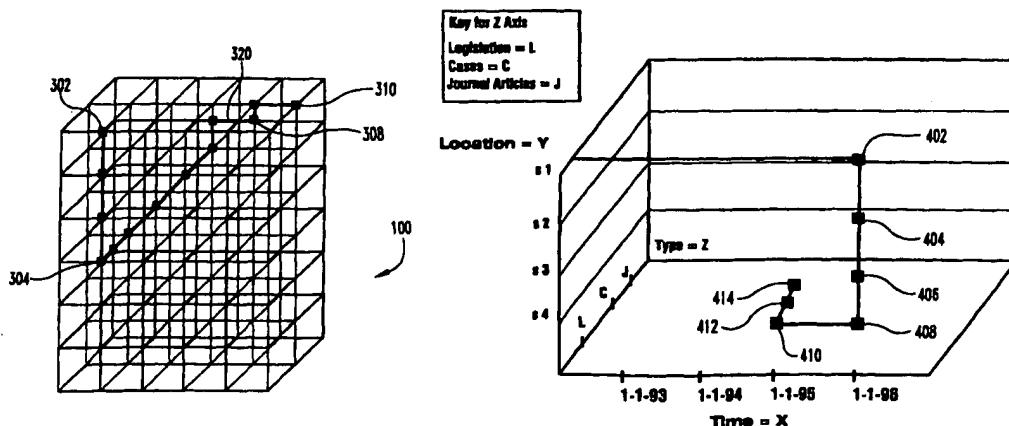
Kim, H. et al., "OOHS: An Object-Oriented Hypermedia System", 20th Annual International Computer Software and Applications Conference (Compsac), Seoul, Korea, Aug. 21-23, 1996, pp. 496-501, XP000684382 IEEE Comp. Soc. Los Alamitos, California, US ISBN: 0-8186-7579-9.

(Continued)

Primary Examiner—Majid A. Banankhah

(57) **ABSTRACT**

The present invention relates to a method, apparatus and system for publishing electronic information. The system includes a plurality of predefined portions of data with each predefined portion being encoded with at least one linking means. For each predefined portion, each predefined portion is stored and, where such predefined portion has been modified, each such modified predefined portion is stored. Further, the system has a plurality of attributes. Each attribute is a point on an axis of a multidimensional space for organizing the data. The plurality of predefined portions of the data may be encoded using Standard Generalized Markup Language (SGML) OR XML. Still further, the data is encoded using one or more Document Type Definitions (DTD) or Style Sheet Mechanisms (SSM).



U.S. PATENT DOCUMENTS

6,606.653	B1	8/2003	Ackermann, Jr. et al.
6,636.845	B2	10/2003	Chau et al.
6,643.633	B2	11/2003	Chau et al.
6,708.186	B1	3/2004	Claborn et al.
6,721.727	B2	4/2004	Chau et al.
6,772.139	B1	8/2004	Smith, III
6,823.495	B1	11/2004	Vedula et al.
6,826.726	B2	11/2004	Hsing et al.
6,832.219	B2	12/2004	Lal
6,836.778	B2	12/2004	Manikutty et al.
6,853.997	B2	2/2005	Wotring et al.
6,886.005	B2	4/2005	Davis
6,944.817	B1	9/2005	Danneels
6,947.945	B1	9/2005	Carey et al.
7,075.536	B1	7/2006	Goldschmidt
7,281.206	B2	10/2007	Schnelle et al.
7,293.228	B1	11/2007	Lessing et al.
7,363.310	B2	4/2008	Schnelle et al.
2001/0047372	A1	11/2001	Gorelik et al.
2002/0010700	A1	1/2002	Wotring et al.
2002/0010711	A1	1/2002	Nakanishi et al.
2002/0023091	A1	2/2002	Silberberg et al.
2002/0116371	A1	8/2002	Dodds et al.
2002/0120630	A1	8/2002	Christianson et al.
2002/0129052	A1	9/2002	Glazer et al.
2002/0133484	A1	9/2002	Chau et al.
2002/0133497	A1	9/2002	Draper et al.
2002/0156811	A1	10/2002	Krupa
2002/0169788	A1	11/2002	Lee et al.
2002/0194357	A1	12/2002	Harris et al.
2003/0041305	A1	2/2003	Schnelle et al.
2003/0070144	A1	4/2003	Schnelle et al.
2003/0140308	A1	7/2003	Murthy et al.
2003/0167456	A1	9/2003	Sabharwal
2003/0177443	A1	9/2003	Schnelle et al.
2003/0226108	A1	12/2003	Oezgen
2004/0139327	A1	7/2004	Brown et al.
2004/0183831	A1	9/2004	Ritchy et al.
2004/0220927	A1	11/2004	Murthy et al.
2005/0278475	A1	12/2005	Karatal et al.
2006/0181531	A1	8/2006	Goldschmidt
2007/0192246	A1	8/2007	Futamase

OTHER PUBLICATIONS

- Arnold-Moore, T. et al., "The ELF Data Model and SGQL Query Language for Structured Document Databases", 6th Australasian Database Conference, ADC '95, Adelaide, AU, vol. 17, No. 2, Jan. 30-31, 1995, pp. 17-26, XP002204886 Australian Computer Science Communications ISSN: 0157-3055.
- Promenschenkel, G., "Steps Toward a New Era in Electronic Publishing", OCLC Newsletter No. 216, published by OCLC, MC104, 6565 Frantz Road, Dublin, Ohio 43017-3395 Jul./Aug. 1995.
- "DB2 Universal database XML extender: Web-Enabling you Data with XML", IBM product information sheet 200, 2pages.
- ActiveText Datasheet, available at: <http://web.archive.org/web/19970630042435/www.ais.co.uk/atds.html>, 1997.
- Arnold-Moore et al. "Connected to the Law: Tasmanian Legislation Using EnAct", InQuirion Pty Ltd., 2002.
- Arnold-Moore et al. "Models for Structured Document Database Systems", Royal Melbourne Institute of Technology, 1998.
- Arnold-Moore, "Automatic Generation of Amendment Legislation", ACM 1997.
- Arnold-Moore, "Automatically Processing Amendments to Legislation", ACM 1995.
- Search Report of Corresponding European Appl. No. 98 901 249.7-1527.
- Shanmugasundaram et al., Efficiently Publishing Relational Data as XML Documents, Google Apr. 2001, pp. 133-154.
- Arnold-Moore, Timothy and Sacks-Davis, Ron; Databases of Legislation: the Problems of Consolidations, Collaborative Information Technology Research Institute, May 15, 1994.
- Azaria, "SGML: A Lifesaver in a Sea of Electronic Documents," Network World, 11/50, Dec. 12, 1994, 67.
- Baru, Chaitanya, "Xviews: XML Views of Relational Schemas" San diego Supercomputer Center Technical Report, SDSC TR-100-3, Oct. 1999, 18 pages.
- Communication pursuant to Article 115(2) and responsive to "WR Communication pursuant to Article 115(c) EPC, Nov. 30, 2006" EPC, Jan. 26, 2007.
- Davis, "Hypertext Link Integrity", Dec. 1999, pp. 1-6.
- Dayen, Igor, "Storing XML is Relational Databases", XML.com, www.xml.com/lpt/a/803, Jun. 20, 2001, pp. 1-13. Also Available at: <http://www.xml.com/pub/a/2001/06/20/databases.html>.
- DeRose et al., XML.Xlink Requirements Version 1.0, Feb. 1999, W3C, pp. 1-15.
- Office Action of Corresponding European Appl. No. 98 901 249.7-1527, Jan. 25, 2007.
- Office Action of Corresponding European Appl. No. 98 901 249.7-1527, Jan. 28, 2005.
- DeRose, W3C: XML Linking Language Xlink, Dec. 20, 2000, W3C, Version 1.0 pp. 1-27.
- Duchame, "Links that are More Valuable than the Information they Link", Jul. 25, 1998, xml.com, pp. 1-3.
- Duhig, "Separating Links from Content using XML, Xlink and Xpointer", May 2001, Internationales Congress Centrum (ICC), pp. 1-19.
- Eisenberg et al., "SQL/XML is Making Good Progress", SIGMOD Record, vol. 31, No. 2, Jun. 2002, pp. 101-108.
- Eckert, "Processing Hypertext Links after Xlink", 2004, pp.1-58.
- Fong et al., "Converting Relational Databases into XML Document", IEEE 2001, pp. 61-65.
- Freeman, Simon and Callum, Euan; A Brief History of Time Travel; Legal Information Management 4 (2004) pp. 28-30.
- Harold, Elliotte Rusty, XML: Extensible Markup Language, IDG Boks Worldwide Inc., Foster City 1198, pp. 32-39, 57-59, 66-70 and 96-99.
- <http://www.butterworths.com/about/index.htm>, 2006.
- <http://www.complinet.com/home/about>, 2006.
- http://www.complinet.com/home/news_rules/, 2006.
- http://www.complinet.com/home/share/pdf/news_rules/uk_companylaw_NR_insert.pdf, 2006.
- <http://www.pendragon.co.uk/perspective>, 2001.
- <http://www.pendragon.co.uk/perspective/perspective2.htm>, 2001.
- <http://www.pendragon.co.uk/perspective/perspective3.htm>, 2001.
- <http://www.sweetandmaxwell.co.uk/about/history.html>, 2006.
- <http://www.sweetandmaxwell.co.uk/westlaw/about.htm>, 2006.
- http://www.sweetandmaxwell.co.uk/westlaw/pdfs/user_guide.pdf, 2006.

- Jan. 18, 2007 letter enclosing website entitled "The Information Society Creative Awards 1996", available at: <http://met.open.ac.uk/isca/>, 1996.
- Jan. 19, 2007 letter in response to Jan. 18, 2007 letter enclosing website entitled "The Information Society Creative Awards 1996", available at: <http://met.open.ac.uk/isca/>, 1996.
- Khan et al., "A performance Evaluation of Storing XML Data in Relational Database Management Systems", ACM 2001, pp. 31-38.
- Legal Database program entitled Status utilizing Folio Bound Views, Pub 1994.
- Lim et al., "An Automated Approach for Retrieving Hierarchical Data from HTML Tables", CIKM '99, Nov. 1999, Kansas City, MO, USA, pp. 466-474.
- Lowe et al., "Improving Web Linking Using Xlink", Jul. 2001, pp. 1-19.
- Maioli C. et al., "Versioning Issues in a Collaborative Distributed Hypertext System" Technical Report Universita Di Bologna, Apr. 1993.
- Maler, "XML and Broken Links (How can the XML Pointer Language, Xlink and Xpointer help Solve the Problem of Broken Links on the Net?)" Mar. 1998, p. 1.
- McFall et al. "Automatically Finding and Repairing Broken Links Between XML Documents", Dec. 1998, Department of Computer Science, Michigan State University, pp. 1-18.
- Morrison Michael et al. XML Unleashed, Sam's Publishing Indianapolis, IN, Dec. 1999, pp. 398-415, 482-489, 506-507 and 518-519.
- Nambiar et al., "Current Approaches to XML Management", IEEE 2002, pp. 43-51.
- Office Action of Corresponding European Appl. No. 98 901 249.7-1527, Feb. 27, 2008.
- P. Francois, "Generalized SGML repositories: Requirements and modeling", Computer Standards and Interfaces, vol. 18, No. 1, 1996 pp. 11-24, XP004006104, Elsevier Sequoia, Lausanne, CH ISSN: 0920-5489.
- Sacks-Davis et al. "Database Systems for Structured Documents", International Symposium on Advanced Database Technologies and Their Integration, Japan, 2002.
- Sacks-Davis et al., "A Standards-Based Approach to Combining Information Retrieval and Database Functionality", International Journal of information Technology, 1(1):1-15, 1995.
- Simpson, "Top Ten Tips to using Xpath and Xpointer", Aug. 21, 2002, xml.com, pp. 1-12.
- Sturm, Jake Developing XML Solutions, Microsoft Press, Redmond, WA 2000, pp. 287-289, 347-348 and 359-366.
- Third Party Observation Under Article 115 EPC filed Apr. 11, 2007 in EP 98901249.7.
- Third Party Observation Under Article 115 EPC filed Nov. 23, 2006 in EP 98901249.7.
- Wang, Wen Qiang et al., "XstorM: A Scalable Mapping Scheme for XML Data", World Wide Web, vol. 4, Nos. 1-2, Mar. 2001, pp. 101-119.
- XML-Sitemaps, Find and Fix Broken Links, 2005-2005, XML-Sitemaps, pp. 1-8.
- Xsoft Astoria—<http://www.architag.com/tag/Article.asp?v=10&i=4&p=8&s=1>.
- Xsoft Premieres Astoria: A simpler Way to Manage "Mega-Documents" dated Mar. 12, 1996—<http://www.highbeam.com/doc/1G1-18079234.html>.
- Xsoft, A division of Xerox updated Jul. 12, 1996—<http://xml.coverpages.org/duCharme-sgmlbms.html>.
- Zhu, Yan et al., "Data Transformation for Warehousing Web Data", WECWIS, Jun. 21-22, 2001, pp. 74-85.
- Communication from Applicant Responsive to Jul. 25, 2002 Search Report in in EP 98901249.7., Oct. 1, 2002.
- Communication from Applicant Responsive to Sep. 8, 2005 Communication in in EP 98901249.7., Sep. 19, 2005.
- Communication from Applicant Responsive to Jan. 25, 2007 Communication in in EP 98901249.7., Apr. 5, 2007.
- Communication from Applicant Responsive to Apr. 23, 2007 Communication in in EP 98901249.7., Jun. 25, 2007.
- Arnold-Moore T. et al: ("The ELF data Model and SGQL Query Language for Structured Document Databases", Sixth Australasian Database Conference, ADC '95, Adelaide, AU, vol. 17, No. 2, Jan. 30, 1995-Jan. 31, 1995, pp. 17-26—with annotations.
- Rule 26(f) Report dated Jun. 21, 2007 for *Timebase Pty Ltd. v. The Thomson Corp.*, Case No. 07 CV 1687 (D. Minn.).
- Electronic Discovery Protocol filed with Rule 26(f) Report dated Jun. 21, 2007 for *Timebase Pty Ltd. v. The Thomson Corp.*, Case No. 07 CV 1687 (D. Minn.).
- Plaintiff's Proposed Protective Order filed with Rule 26(f) Report dated Jun. 21, 2007 for *Timebase Pty Ltd. v. The Thomson Corp.*, Case No. 07 CV 1687 (D. Minn.).
- Defendant's Proposed Protective Order filed with Rule 26(f) Report dated Jun. 21, 2007 for *Timebase Pty Ltd. v. The Thomson Corp.*, Case No. 07 CV 1687 (D. Minn.).
- Transcript of Proceedings filed Feb. 26, 2008 for *Timebase Pty Ltd. v. The Thomson Corp.*, Case No. 07 CV 1687 (D. Minn.).
- Letter from Grey Plant & Moody dated Jun. 1, 2007 for *Timebase Pty Ltd. v. The Thomson Corp.*, Case No. 07 CV 1687 (D. Minn.).
- Letter from Niro, Scavone, Haller & Niro dated Dec. 21, 2007 for *Timebase Pty Ltd. v. The Thomson Corp.*, Case No. 07 CV 1687 (D. Minn.).
- Letter from Faegre and Benson dated Dec. 20, 2007 for *Timebase Pty Ltd. v. The Thomson Corp.*, Case No. 07 CV 1687 (D. Minn.).
- Letter from Faegre and Benson dated Apr. 1, 2008 for *Timebase Pty Ltd. v. The Thomson Corp.*, Case No. 07 CV 1687 (D. Minn.).
- Letter from Niro, Scavone, Haller & Niro dated Apr. 17, 2008 for *Timebase Pty Ltd. v. The Thomson Corp.*, Case No. 07 CV 1687 (D. Minn.).
- Motion to Stay Litigation Pending Reexamination Proceedings dated Jun. 14, 2007 for *Timebase Pty Ltd. v. The Thomson Corp.*, Case No. 07 CV 1687 (D. Minn.).
- Defendant's Memorandum in Support of Motion to Stay Litigation Pending Reexamination Proceedings dated Jun. 14, 2008 for *Timebase Pty Ltd. v. The Thomson Corp.*, Case No. 07 CV 1687 (D. Minn.).
- Exhibit 1 for Defendant's Memorandum in Support of Motion to Stay Litigation Pending Reexamination Proceedings dated Jun. 14, 2008 for *Timebase Pty Ltd. v. The Thomson Corp.*, Case No. 07 CV 1687 (D. Minn.).
- Exhibit 2 for Defendant's Memorandum in Support of Motion to Stay Litigation Pending Reexamination Proceedings dated Jun. 14, 2008 for *Timebase Pty Ltd. v. The Thomson Corp.*, Case No. 07 CV 1687 (D. Minn.).
- Exhibit 3 for Defendant's Memorandum in Support of Motion to Stay Litigation Pending Reexamination Proceedings dated Jun. 14, 2008 for *Timebase Pty Ltd. v. The Thomson Corp.*, Case No. 07 CV 1687 (D. Minn.).

Stipulation to Plaintiff's Amended Complaint dated Jun. 1, 2007 for *Timebase Pty Ltd. v. The Thomson Corp.*, Case No. 07 CV 1687 (D. Minn.).

Order dated Jun. 6, 2007 for *Timebase Pty Ltd. v. The Thomson Corp.*, Case No. 07 CV 1687 (D. Minn.).

Amended Complaint dated Jun. 18, 2007 for *Timebase Pty Ltd. v. The Thomson Corp.*, Case No. 07 CV 1687 (D. Minn.).

Defendants' Joint Answer and Defenses to Plaintiff's Amended Complaint dated Jun. 18, 2007 for *Timebase Pty Ltd. v. The Thomson Corp.*, Case No. 07 CV 1687 (D. Minn.).

Notice of Motion dated Feb. 9, 2007 for *Timebase Pty Ltd. v. The Thomson Corp.*, Case No. 07 CV 1687 (D. Minn.).

Defendant Thompson Corporation's Motion to Transfer Venue to the District of Minnesota and for a More Definite Statement dated Feb. 9, 2007, for *Timebase Pty Ltd. v. The Thomson Corp.*, Case No. 07 CV 1687 (D. Minn.).

Declaration of Andrew Martens dated Feb. 9, 2007 for *Timebase Pty Ltd. v. The Thomson Corp.*, Case No. 07 CV 1687 (D. Minn.).

Declaration of Chad Drown dated Feb. 9, 2007 for *Timebase Pty Ltd. v. The Thomson Corp.*, Case No. 07 CV 1687 (D. Minn.).

Exhibits A–D for Defendant Thompson Corporation's Motion to Transfer Venue to the District of Minnesota and for a More Definite Statement dated Feb. 9, 2007 for *Timebase Pty Ltd. v. The Thomson Corp.*, Case No. 07 CV 1687 (D. Minn.).

Exhibits E–H for Defendant Thompson Corporation's Motion to Transfer Venue to the District of Minnesota and for a More Definite Statement dated Feb. 9, 2007 for *Timebase Pty Ltd. v. The Thomson Corp.*, Case No. 07 CV 1687 (D. Minn.).

Exhibit I for Defendant Thompson Corporation's Motion to Transfer Venue to the District of Minnesota and for a More Definite Statement dated Feb. 9, 2007 for *Timebase Pty Ltd. v. The Thomson Corp.*, Case No. 07 CV 1687 (D. Minn.).

Timebase's Response to The Thompson Corporation's Motion to Transfer dated Feb. 26, 2007 for *Timebase Pty Ltd. v. The Thomson Corp.*, Case No. 07 CV 1687 (D. Minn.).

Exhibits 1–5 for Timebase's Response to The Thompson Corporation's Motion to Transfer dated Feb. 26, 2007 for *Timebase Pty Ltd. v. The Thomson Corp.*, Case No. 07 CV 1687 (D. Minn.).

Defendant Thompson Corporation's Reply Brief in Support of its Motion to Transfer Venue to the District of Minnesota and for a More Definite Statement dated Mar. 5, 2007 for *Timebase Pty Ltd. v. The Thomson Corp.*, Case No. 07 CV 1687 (D. Minn.).

Second Declaration of Andrew Martens dated Mar. 5, 2007 for *Timebase Pty Ltd. v. The Thomson Corp.*, Case No. 07 CV 1687 (D. Minn.).

Certificate of Service dated Mar. 5, 2007 for *Timebase Pty Ltd. v. The Thomson Corp.*, Case No. 07 CV 1687 (D. Minn.).

Court Docket Entry dated Mar. 9, 2007 for *Timebase Pty Ltd. v. The Thomson Corp.*, Case No. 07 CV 1687 (D. Minn.).

Memorandum Opinion and Order dated Mar. 9, 2007 for *Timebase Pty Ltd. v. The Thomson Corp.*, Case No. 07 CV 1687 (D. Minn.).

Document 19–1 Copy of Memorandum Opinion and Order dated Mar. 28, 2007 for *Timebase Pty Ltd. v. The Thomson Corp.*, Case No. 07 CV 1687 (D. Minn.).

Cover Letter for Transfer of Case dated Mar. 26, 2007 for *Timebase Pty Ltd. v. The Thomson Corp.*, Case No. 07 CV 1687 (D. Minn.).

Rule 26(f) Report (Patent Cases) for *Timebase Pty Ltd. v. The Thomson Corp.*, Case No. 07 CV 4551 (D. Minn.).

Timebase's First Set of Requests for the Production of Documents (Nos. 1–40) to The Thompson Corporation dated Mar. 3, 2008 for *Timebase Pty Ltd. v. The Thomson Corp.*, Case No. 07 CV 4551 (D. Minn.).

Timebase's First Set of Requests for the Production of Documents (Nos. 1–40) to West Publishing Corporation dated Mar. 3, 2008 for *Timebase Pty Ltd. v. The Thomson Corp.*, Case No. 07 CV 4551 (D. Minn.).

Timebase's First Set of Requests for the Production of Documents (Nos. 1–40) to West Services Inc. dated Mar. 3, 2008 for *Timebase Pty Ltd. v. The Thomson Corp.*, Case No. 07 CV 4551 (D. Minn.).

Defendant The Thompson Corporation's Objections to Plaintiff Timebase's First Set of Requests for Production of Documents (Nos. 1–40) dated Apr. 7, 2008 for *Timebase Pty Ltd. v. The Thomson Corp.*, Case No. 07 CV 4551 (D. Minn.).

Defendants' First Set of Requests for Production of Documents and Things to Plaintiff Timebase Pty Ltd. dated Apr. 3, 2008 for *Timebase Pty Ltd. v. The Thomson Corp.*, Case No. 07 CV 4551 (D. Minn.).

Defendant Thompson Corporation's Objections and Responses to Plaintiff Timebase's First Set of Requests for Production of Documents (Nos. 1–40) dated Apr. 24, 2008 for *Timebase Pty Ltd. v. The Thomson Corp.*, Case No. 07 CV 4551 (D. Minn.).

Defendant West Corporation's Objections and Responses to Plaintiff Timebase's First Set of Requests for Production of Documents (Nos. 1–40) dated Apr. 24, 2008 for *Timebase Pty Ltd. v. The Thomson Corp.*, Case No. 07 CV 4551 (D. Minn.).

Defendant West Services, Inc.'s Objections and Responses to Plaintiff Timebase's First Set of Requests for Production of Documents (Nos. 1–40) dated Apr. 24, 2008 for *Timebase Pty Ltd. v. The Thomson Corp.*, Case No. 07 CV 4551 (D. Minn.).

Timebase's Response to Defendant's First Set of Requests for Production of Documents (Nos. 1–49) dated May 5, 2008 for *Timebase Pty Ltd. v. The Thomson Corp.*, Case No. 07 CV 4551 (D. Minn.).

Transcript of Proceedings Re. Defendants' Motion to Consolidate dated Jan. 24, 2008 for *Timebase Pty Ltd. v. The Thomson Corp.*, Case No. 07 CV 4551 (D. Minn.).

Transcript of Proceedings Re. Defendants' Motion to Consolidate (filed Feb. 26, 2008) dated Jan. 24, 2008 for *Timebase Pty Ltd. v. The Thomson Corp.*, Case No. 07 CV 4551 (D. Minn.).

Transcript of Proceedings Re. Defendants' Motion to Stay (filed Feb. 26, 2008) for *Timebase Pty Ltd. v. The Thomson Corp.*, Case No. 07 CV 4551 (D. Minn.).

Timebase's Interrogatories Nos. 1–5 for the Defendant, The Thompson Corporation dated Mar. 24, 2008 for *Timebase Pty Ltd. v. The Thomson Corp.*, Case No. 07 CV 4551 (D. Minn.).

Timebase's Interrogatories Nos. 1-5 for the Defendant. West Publishing Corporation dated Mar. 24, 2008 for *Timebase Pty Ltd. v. The Thomson Corp.*, Case No. 07 CV 4551 (D. Minn.).

Timebase's Interrogatories Nos. 1-5 for the Defendant. West Services, Inc. dated Mar. 24, 2008 for *Timebase Pty Ltd. v. The Thomson Corp.*, Case No. 07 CV 4551 (D. Minn.).

Defendant West Publishing Corporation's Objections to Plaintiff Timebase's First Set of Requests for Production of Documents (Nos. 1-40) dated Apr. 7, 2008 for *Timebase Pty Ltd. v. The Thomson Corp.*, Case No. 07 CV 4551 (D. Minn.).

Defendant West Services Inc.'s Objections to Plaintiff Timebase's First Set of Requests for Production of Documents (Nos. 1-40) dated Apr. 7, 2008 for *Timebase Pty Ltd. v. The Thomson Corp.*, Case No. 07 CV 4551 (D. Minn.).

The Thompson Corporation's Objections and Answers to Timebase's First Set of Interrogatories (Nos. 1-5) dated Apr. 28, 2008 for *Timebase Pty Ltd. v. The Thomson Corp.*, Case No. 07 CV 4551 (D. Minn.).

West Publishing Corporation's Objections and Answers to Timebase's First Set of Interrogatories (Nos. 1-5) dated Apr. 28, 2008 for *Timebase Pty Ltd. v. The Thomson Corp.*, Case No. 07 CV 4551 (D. Minn.).

West Services Inc.'s Objections and Answers to Timebase's First Set of Interrogatories (Nos. 1-5) dated Apr. 28, 2008 for *Timebase Pty Ltd. v. The Thomson Corp.*, Case No. 07 CV 4551 (D. Minn.).

Letter from Faegre and Benson enclosing Verification Pages dated May 5, 2008 for *Timebase Pty Ltd. v. The Thomson Corp.*, Case No. 07 CV 4551 (D. Minn.).

Letter from David J. F. Gross dated Apr. 1, 2008 for *Timebase Pty Ltd. v. The Thomson Corp.*, Case No. 07 CV 4551 (D. Minn.).

Letter from Niro, Scavone, Haller & Niro dated Apr. 17, 2008 for *Timebase Pty Ltd. v. The Thomson Corp.*, Case No. 07 CV 4551 (D. Minn.).

Defendants' Memorandum in Support of Motion to Consolidate with Case No. 07-CV-1687 and Stay Pending Reexamination of U.S. Patent No. 6,233,592 dated Jan. 10, 2008 for *Timebase Pty Ltd. v. The Thomson Corp.*, Case No. 07 CV 4551 (D. Minn.).

Timebase's Response to Thompson's Motion to Stay and Consolidate dated Jan. 17, 2008 for *Timebase Pty Ltd. v. The Thomson Corp.*, Case No. 07 CV 4551 (D. Minn.).

Order (filed Feb. 12, 2008) dated Feb. 7, 2008 for *Timebase Pty Ltd. v. The Thomson Corp.*, Case No. 07 CV 4551 (D. Minn.).

Defendant's Appeal of and Objections to Orders Denying a Stay of the '228 Case (No. 07-4551) and Lifting the Stay of the '592 Case (No. 07-1687) dated Feb. 26, 2008 for *Timebase Pty Ltd. v. The Thomson Corp.*, Case No. 07 CV 4551 (D. Minn.).

Defendant's Memorandum in Support of Appeal of and Objections to Orders Denying a Stay of the '228 Case (No. 07-4551) and Lifting the Stay of the '592 Case (No. 07-1687) dated Feb. 26, 2008 for *Timebase Pty Ltd. v. The Thomson Corp.*, Case No. 07 CV 4551 (D. Minn.).

Order (Exhibit 1) dated Feb. 7, 2008 for *Timebase Pty Ltd. v. The Thomson Corp.*, Case No. 07 CV 4551 (D. Minn.).

Order (Exhibit 2) dated Feb. 7, 2008 for *Timebase Pty Ltd. v. The Thomson Corp.*, Case No. 07 CV 4551 (D. Minn.).

Timebase's Response to Defendant's Memorandum in Support of Appeal of and Objections to Orders Denying a Stay of the '228 Case (No. 07-4551) and Lifting the Stay of the '592 Case (No. 07-1687) dated Mar. 11, 2008 for *Timebase Pty Ltd. v. The Thomson Corp.*, Case No. 07 CV 4551 (D. Minn.).

Order dated Apr. 18, 2008 for *Timebase Pty Ltd. v. The Thomson Corp.*, Case No. 07 CV 4551 (D. Minn.).

Defendant's Memorandum Addressing Issues Related to the Reconsideration of the Orders Denying a Stay of the '228 Case (No. 07-4551) and Lifting the Stay of the '592 Case (No. 07-1687) dated Apr. 25, 2008 for *Timebase Pty Ltd. v. The Thomson Corp.*, Case No. 07 CV 4551 (D. Minn.).

Order dated May 6, 2008 for *Timebase Pty Ltd. v. The Thomson Corp.*, Case No. 07 CV 4551 (D. Minn.).

Complaint dated Nov. 7, 2007 for *Timebase Pty Ltd. v. The Thomson Corp.*, Case No. 07 CV 4551 (D. Minn.).

Defendant's Answer to Plaintiff's Complaint dated Nov. 29, 2007 for *Timebase Pty Ltd. v. The Thomson Corp.*, Case No. 07 CV 4551 (D. Minn.).

Order of Direction to the Clerk of the Court for Reassignment of Related Case dated Nov. 28, 2007 for *Timebase Pty Ltd. v. The Thomson Corp.*, Case No. 07 CV 4551 (D. Minn.).

Defendant's Motion to Consolidate with Case No. 07-CV-1687 and Stay Pending Reexamination of U.S. Patent No. 6,233,592 dated Jan. 10, 2008 for *Timebase Pty Ltd. v. The Thomson Corp.*, Case No. 07 CV 4551 (D. Minn.).

Defendant's Memorandum in Support of Motion to Consolidate with Case No. 07-CV-1687 and Stay Pending Reexamination of U.S. Patent No. 6,233,592 dated Jan. 10, 2008 for *Timebase Pty Ltd. v. The Thomson Corp.*, Case No. 07 CV 4551 (D. Minn.).

**EX PARTE
REEXAMINATION CERTIFICATE
ISSUED UNDER 35 U.S.C. 307**

THE PATENT IS HEREBY AMENDED AS
INDICATED BELOW.

Matter enclosed in heavy brackets [] appeared in the patent, but has been deleted and is no longer a part of the patent; matter printed in italics indicates additions made to the patent.

AS A RESULT OF REEXAMINATION, IT HAS BEEN DETERMINED THAT:

The patentability of claims 1–58 is confirmed.

New claims 59–61 are added and determined to be patentable.

59. A computer-implemented system for publishing an electronic publication using text-based data, comprising:

a plurality of predefined portions of text-based data with each predefined portion being stored;

at least one predefined portion being modified and stored so that the at least one predefined portion and a corresponding modified predefined portion are both stored;

a plurality of linking means of a markup language, each predefined portion of said text-based data and said at least one modified predefined portion of text-based data being encoded with at least one linking means; and

a plurality of attributes, each attribute being a point on an axis of an multidimensional space for organizing and retrieving said plurality of predefined portions and said at least one modified predefined portion of said text-based data;

wherein said plurality of predefined portions and said at least one modified predefined portion can be directly retrieved using said plurality of attributes to define the point in said multidimensional space that corresponds to one of said plurality of predefined portions or said at least one modified predefined portion.

60. A computer readable recording medium for publishing an electronic publication using text-based data, comprising:

a plurality of predefined portions of text-based data with each predefined portion being stored;

at least one predefined portion being modified and stored so that the at least one predefined portion and a corresponding modified predefined portion are both stored;

a plurality of linking means of a markup language, each predefined portion of said text-based data and said at least one modified predefined portion of text-based data being encoded with at least one linking means;

a plurality of attributes, each attribute being a point on an axis of a multidimensional space for organizing and retrieving said plurality of predefined portions and said at least one modified predefined portion of said text-based data;

wherein said plurality of predefined portions and said at least one modified predefined portion can be directly retrieved using said plurality of attributes to define the point in said multidimensional space that corresponds to one of said plurality of predefined portions or said at least one modified predefined portion.

61. A computer-implemented method for publishing an electronic publication using text-based data, comprising the steps of:

providing a plurality of predefined portions of text-based data with each predefined portion being stored;

encoding each predefined portion of said text-based data with at least one linking means of a markup language;

providing at least one predefined portion that is modified and stored so that the at least one predefined portion and a corresponding modified predefined portion are both stored; and

providing a plurality of attributes, each attribute being a point on an axis of a multidimensional space for organizing and retrieving said plurality of predefined portions and said at least one modified predefined portion of said text-based data;

wherein said plurality of predefined portions and said at least one modified predefined portion can be directly retrieved using said plurality of attributes to define the point in said multidimensional space that corresponds to one of said plurality of predefined portions or said at least one modified predefined portion.

* * * * *