

**Exhibit 5**  
**Part 15**  
**To Third Declaration of**  
**Joseph N. Hosteny**

## 25

at least one second local area network for transmitting data within a corresponding one of said at least one data collection subsystem;

at least one third local area network for transmitting data within a corresponding one of said at least one data processing subsystem; and

at least one wide area network for transmitting data between said one or more remote data access subsystems, said at least one data collection subsystem and said at least one data processing subsystem.

**23.** A system as in claim **22** wherein said at least one communication network further comprises:

at least one first modem for connecting said at least one first local area network of said one or more data access subsystems to a corresponding one of said at least one second local area network through said at least one wide area network;

at least one bank of modems for connecting said at least one second local area network of said at least one data collection subsystem to a corresponding some of said at least one first local area network of said one or more data access subsystems through said at least one wide area network;

at least one first wide area network router for connecting a corresponding one of said at least one second local area network of said at least one data collecting subsystem to said at least one wide area network; and

at least one second wide area network router for connecting a corresponding one of said at least one third local area network of said at least one data processing subsystem to said at least one wide area network.

**24.** A system as in claim **23** wherein said at least one first wide area network and said at least one second wide area network comprises a carrier cloud, said carrier cloud using a frame relay method for transmitting the transaction data.

**25.** A system as in claim **22** wherein said at least one second local area network and said at least one third local area network further comprises a corresponding one of at least one network switch for routing transaction data within said at least one second local area network and said at least one third local area network.

**26.** A method for central management, storage and verification of remotely captured paper transactions from checks comprising the steps of:

capturing an image of the paper transaction data at one or more remote locations said transaction data including a payer bank's identification number, a payer bank's routing number, a payer bank's routing information, a payer's account number, a payer's check, a payer bank's draft, a check amount, a payee bank's identification number, a payee bank's routing information, and a payee's account number; and sending a captured image of the paper transaction data;

managing the capturing and sending of the transaction data;

collecting, processing, sending and storing the transaction data at a central location;

managing the collecting, processing, sending and storing of the transaction data;

encrypting subsystem identification information and the transaction data; and

transmitting the transaction data and the subsystem identification information within and between the remote location(s) and the central location.

**27.** The method as in claim **26** wherein said managing the capturing and sending step comprises the steps of:

## 26

successively transforming the captured transaction data to a bitmap image, a compressed bitmap image, an encrypted, compressed bitmap image and an encrypted, compressed bitmap image tagged with information identifying a location and time of the transaction data capturing; and

storing the tagged, encrypted, compressed bitmap image.

**28.** The method as in claim **27** wherein said managing the capturing and sending step also captures electronic transactions from credit cards, smart cards and debit cards, signature data or biometric data, further comprising the steps of: initiating an electronic transaction;

capturing signature data;

capturing biometric data; and

printing a paper transaction with data glyphs for the initiated electronic transaction.

**29.** A method as in claim **26** wherein:

said capturing and sending step occurs at a plurality of remote locations; and

said collecting, processing, sending and storing step occurs at a plurality of central locations.

**30.** A method as in claim **29** wherein said collecting, processing, sending and storing step comprises the steps of: polling the remote locations for transaction data with servers at the central locations;

storing the transaction data at the central location in a memory hierarchy, said storing maintains recently accessed transaction data in a primary memory and other transaction data in a secondary memory; and

dynamically assigning the servers at the central location to receive portions of the transaction data for balancing the transaction data among the servers; and

generating reports from the transaction data and providing data to software applications.

**31.** A method as in claim **30** wherein said storing the transaction data step comprises the steps of:

partitioning the stored transaction data with predefined templates into panels; and

identifying locations of the panels.

**32.** A method as in claim **31** wherein said managing the collecting, processing, sending and storing of the transaction data step comprises correcting errors in the panels of stored transaction data.

**33.** A method as in claim **32** further comprising the steps of:

polling the remote locations for captured electronic data, captured signature data and captured biometric data with servers at the central locations; and

comparing the captured signature data and the captured biometric data to stored signature data and stored biometric data respectively for identification verification.

**34.** A method as in claim **32** wherein said transmitting the transaction data step comprises the steps of:

transmitting data within the remote locations;

transmitting data from each remote location to a corresponding central location; and

transmitting data within the central locations.

**35.** A method as in claim **34** wherein said transmitting data from each remote location to a corresponding central location step comprises the steps of:

connecting each remote location to a corresponding central location; and

connecting each central location to corresponding remote locations.

27

36. A method as in claim 29 further comprising the steps of:

- collecting and sending the electronic or paper transaction data at intermediate locations;
- managing the collecting and sending of the transaction data; and
- transmitting the transaction data within the intermediate location and between the intermediate locations and the remote locations and the central locations.

37. A method as in claim 36 wherein said managing the collecting and sending step comprises the steps of:

- polling the remote locations for transaction data with servers in the intermediate locations;
- storing the transaction data in the intermediate locations in a useful form, said storing maintains the transaction data in a primary memory of a memory hierarchy and performs backup storage of the transaction data into a secondary memory of the memory hierarchy; and
- dynamically assigning the servers to receive portions of the transaction data for balancing the transaction data among the servers.

38. The method as in claim 36 wherein said transmitting the transaction data step comprises the steps of:

- transmitting data within the remote locations;
- transmitting data from each remote location to a corresponding intermediate location;
- transmitting data within the intermediate locations;
- transmitting data from each intermediate location to corresponding central locations; and
- transmitting data within the central locations.

39. A method as in claim 38 wherein said transmitting data from each remote location to corresponding intermediate locations step comprises the steps of:

- connecting each remote location to a corresponding intermediate location; and
- connecting the intermediate locations to corresponding remote locations.

40. A method as in claim 38 wherein said transmitting data from each intermediate location to corresponding central locations comprises the steps of:

- connecting each intermediate location to an external communication network; and
- connecting the corresponding central locations to the communication network.

28

41. A method as in claim 40 wherein said transmitting data from each intermediate location to corresponding central locations step further comprises the steps of: packaging the transaction data into frames; and transmitting the frames through the external communication network.

42. A system for central management, storage and report generation of remotely captured paper transactions from checks comprising:

- one or more remote data access subsystems for capturing and sending paper transaction data and verifying transaction data from the checks comprising at least one imaging subsystem for capturing the checks and at least one data access controller for managing the capturing and sending of the transaction data;
- at least one central data processing subsystem for processing, sending, verifying and storing the paper transaction data and the subsystem identification information comprising a management subsystem for managing the processing, sending and storing of the of the transaction data; and
- at least one communication network for the transmission of the transaction data within and between said one or more data access subsystems and said at least one data processing subsystem, with the data access subsystem providing encrypted subsystem identification information and encrypted paper transaction data to the data processing subsystem.

43. A method for central management, storage and verification of remotely captured paper transactions from checks comprising the steps of:

- capturing an image of the check at one or more remote locations and sending a captured image of the check;
- managing the capturing and sending of the transaction data;
- collecting, processing, sending and storing the transaction data at a central location;
- managing the collecting, processing, sending and storing of the transaction data;
- encrypting subsystem identification information and the transaction data;
- verifying the transaction data from the check; and
- transmitting the transaction data and the subsystem identification information within and between the remote location(s) and the central location.

\* \* \* \* \*



US006032137C1

(12) **EX PARTE REEXAMINATION CERTIFICATE** (6063rd)  
**United States Patent**  
**Ballard**

(10) **Number:** **US 6,032,137 C1**  
(45) **Certificate Issued:** **Dec. 25, 2007**

(54) **REMOTE IMAGE CAPTURE WITH CENTRALIZED PROCESSING AND STORAGE**

(75) **Inventor:** **Claudio R. Ballard**, Lloyd Harbor, NY (US)

(73) **Assignee:** **Datatreasury Corporation**, Melville, NY (US)

**FOREIGN PATENT DOCUMENTS**

CA	2131667	6/1995
EP	0593209 A	4/1994
EP	0661654 A2	7/1995
WO	WO 90/04837 A	5/1990
WO	WO 91/06058 A	5/1991
WO	WO 97/07468	2/1997
WO	WO 97/22060	6/1997
WO	WO 98/47100 A	10/1998
WO	WO 98/58356 A	12/1998

**Reexamination Request:**

No. 90/007,830, Nov. 25, 2005

**Reexamination Certificate for:**

Patent No.: **6,032,137**  
Issued: **Feb. 29, 2000**  
Appl. No.: **09/081,012**  
Filed: **May 19, 1998**

**OTHER PUBLICATIONS**

BancTec's Proposal to the Federal Reserve Bank of Boston, "Technical Volume: Check Image Processing Archive and Retrieval System," Jul. 8, 1994, JPMC-BANCT 002960-003299.

(Continued)

**Related U.S. Application Data**

(63) Continuation-in-part of application No. 08/917,761, filed on Aug. 27, 1997, now Pat. No. 5,910,988.

(51) **Int. Cl.**

**G06Q 20/00** (2006.01)  
**G06K 9/00** (2006.01)  
**G06K 17/00** (2006.01)  
**H04L 9/00** (2006.01)

(52) **U.S. Cl.** ..... **705/75**

(58) **Field of Classification Search** ..... None  
See application file for complete search history.

*Primary Examiner*—Peter C. English

(57) **ABSTRACT**

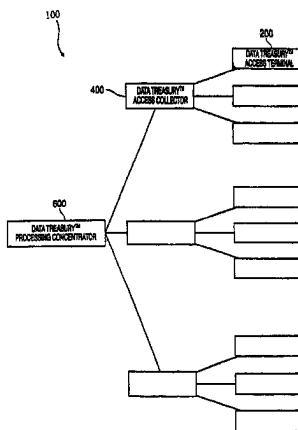
A system for remote data acquisition and centralized processing and storage is disclosed called the Data Treasury™ System. The DataTreasury™ System provides comprehensive support for the processing of documents and electronic data associated with different applications including sale, business, banking and general consumer transactions. The system retrieves transaction data such as credit card receipts checks in either electronic or paper form at one or more remote locations, encrypts the data, transmits the encrypted data to a central location, transforms the data to a usable form, performs identification verification using signature data and biometric data, generates informative reports from the data and transmits the informative reports to the remote locations(s). The DataTreasury™ System has many advantageous features which work together to provide high performance, security, reliability, fault tolerance and low cost. First, the network architecture facilitates secure communication between the remote location(s) and the central processing facility. A dynamic address assignment algorithm performs load balancing among the system's servers for faster performance and higher utilization. Finally, a partitioning scheme improves the error correction process.

(56) **References Cited**

**U.S. PATENT DOCUMENTS**

4,205,780 A	6/1980	Burns et al.
4,264,808 A	4/1981	Owens et al.
4,268,715 A	5/1981	Atalla
4,321,672 A	3/1982	Braun et al.
4,404,649 A	9/1983	Nunley et al.
4,500,750 A	2/1985	Elander et al.

(Continued)



(Amended)

## U.S. PATENT DOCUMENTS

4,578,530	A	3/1986	Zeidler	5,621,797	A	4/1997	Rosen
4,602,936	A	7/1986	Green et al.	5,623,547	A	4/1997	Jones et al.
4,652,990	A	3/1987	Pailen et al.	5,625,694	A	4/1997	Lee et al.
4,675,815	A	6/1987	Kuroki et al.	5,629,981	A	5/1997	Nerlikar
4,723,283	A	2/1988	Nagasawa et al.	5,633,930	A	5/1997	Davis et al.
4,745,267	A	5/1988	Davis et al.	5,642,419	A	6/1997	Rosen
4,748,557	A	5/1988	Tamada et al.	5,659,616	A	8/1997	Sudia
4,755,940	A	7/1988	Brachtl et al.	5,668,897	A	9/1997	Stolfo
4,757,543	A	7/1988	Tamada et al.	5,682,549	A	10/1997	Tanaka et al.
4,771,460	A	9/1988	Tamada et al.	5,708,810	A	1/1998	Kern et al.
4,882,779	A	11/1989	Rahtgen	5,754,673	A	5/1998	Brooks et al.
4,910,774	A	3/1990	Barakat	5,760,916	A	6/1998	Dellert et al.
4,912,762	A	3/1990	Lee et al.	5,784,610	A	7/1998	Copeland, III et al.
4,922,503	A	5/1990	Leone	5,790,260	A	8/1998	Myers
4,941,125	A	7/1990	Boyne	5,832,463	A	11/1998	Funk
4,961,142	A	10/1990	Elliott et al.	5,832,464	A	11/1998	Houvener et al.
4,962,531	A	10/1990	Sipman et al.	5,857,034	A	1/1999	Tsuchiya et al.
4,977,595	A	12/1990	Ohta et al.	5,870,725	A	2/1999	Bellinger et al.
4,985,921	A	1/1991	Schwartz	5,884,271	A	3/1999	Pitroda
5,003,594	A	3/1991	Shinagawa	5,926,288	A	7/1999	Dellert et al.
5,014,311	A	5/1991	Schrenk	5,973,731	A	10/1999	Schwab
5,016,277	A	5/1991	Hamilton	6,032,137	A	2/2000	Ballard
5,053,607	A	10/1991	Carlson et al.	6,108,104	A	8/2000	Tesavis
5,054,096	A	10/1991	Beizer	6,115,509	A	9/2000	Yeskel
5,081,680	A	1/1992	Bennett	6,145,738	A	11/2000	Stinson et al.
5,123,047	A	6/1992	Rosenow				
5,159,548	A	10/1992	Caslavka				
5,163,098	A	11/1992	Dahbura				
5,168,444	A	12/1992	Cukor et al.				
5,170,466	A	12/1992	Rogan et al.				
5,175,766	A	12/1992	Hamilton				
5,185,798	A	2/1993	Hamada et al.				
5,195,133	A	3/1993	Kapp et al.				
5,200,993	A	4/1993	Wheeler et al.				
5,214,697	A	5/1993	Saito				
5,233,656	A	8/1993	Landgrand et al.				
5,235,433	A	8/1993	Clarkson et al.				
5,241,600	A	8/1993	Hillis				
5,256,863	A	10/1993	Ferguson et al.				
5,259,025	A	11/1993	Monroe et al.				
5,274,567	A	12/1993	Kallin				
5,287,497	A	2/1994	Behera				
5,317,637	A	5/1994	Pichlmaier et al.				
5,321,816	A	6/1994	Rogan et al.				
5,337,358	A	8/1994	Axelrod et al.				
5,341,428	A	8/1994	Schatz				
5,343,529	A	8/1994	Goldfine et al.				
5,373,550	A	12/1994	Campbell et al.				
5,396,558	A	3/1995	Ishiguro et al.				
5,408,531	A	4/1995	Nakajima				
5,440,634	A	8/1995	Jones et al.				
5,446,796	A	8/1995	Ishiguro et al.				
5,454,575	A	10/1995	Del Buono				
5,473,143	A	12/1995	Vak et al.				
5,502,765	A	3/1996	Ishiguro et al.				
5,506,691	A	4/1996	Bednar et al.				
5,524,073	A	6/1996	Stambler				
5,528,705	A	6/1996	Reasoner, Jr. et al.				
5,539,822	A	7/1996	Lett				
5,539,825	A	7/1996	Akiyama et al.				
5,544,043	A	8/1996	Miki et al.				
5,544,255	A	8/1996	Smithies et al.				
5,557,518	A	9/1996	Rosen				
5,577,121	A	11/1996	Davis et al.				
5,596,642	A	1/1997	Davis et al.				
5,602,936	A	2/1997	Green et al.				
5,604,802	A	2/1997	Holloway				
5,608,800	A	3/1997	Hoffmann et al.				
5,615,269	A	3/1997	Micali				
5,621,796	A	4/1997	Davis et al.				

## OTHER PUBLICATIONS

BancTec's Proposal to the Federal Reserve Bank of Boston, "Technical Volume: Total Solution Overview" Jul. 8, 1994, JPMC-BANCT 001017-001144.

Federal Reserve Bank of Boston, "Request for Proposal for Check Image Processing and Archival and Retrieval Systems for The Federal Reserve," Apr. 21, 1994, JPMC 152558-152803.

IBM's Proposal to the Federal Reserve Bank of Boston, Nov. 7, 1991, "IBM Proposal For FRB Phase Four: Image Archive System," JPMC 279955-280128, Yeskel Exhibit 1. "Interbank Check Imaging," FSTC General Meeting, Orlando, FL, Apr. 17th, 1997 (Exhibit 20).

"MAGTEK® Company Background & Product Guide," date unknown (Exhibit MagTek D-7).

"MagTek Unveils Excella, a Dual-side Scanner for Check 21 Applications," May 10, 2004 (Exhibit MagTek D-8).

"PACES Models—FSTC Project," presentation by Mariano Roldan on Jul. 17, 1997 (Exhibit 21).

"PACES Paperless Automated Check Exchange & Settlement NEXT STEP," presentation by John Fricke at New York, NY on August 12, 1997 (Exhibit 19).

Press Release "MagTek Adds Enhanced Reading to MicrimageTM," Jan. 9, 2003 (Exhibit MagTek D-11).

Press Release "MagTek Upgrades Its MicrimageTM Check Reader/Scanner," Jun. 12, 2002 (Exhibit MagTek D-9).

Press Release "MagTek's MICRImage Transmits Check Images at Speed of Ethernet," Feb. 14, 2002 (Exhibit D-10).

"The New Era of Check Scanning Technology," 2005 (Exhibit MagTek D-6).

Unisys, New York Clearing House, "A Proposal for an Image-Based Return Item Processing System," Jun. 1991, Unisys Document No. PDC 1010-16, JPMC-NYCH018091-018216.

"About FSTC: FSTC History," FSTC, 2003.

American National Standard For Financial Image Interchange ("ANSI"): Architecture, Overview and System Design Specification, X9,xx 0.7, dated: 1994.

Anderson, "Electronic Check and Check Law," letter to Robert Ballen, Apr. 8, 1996.

- Ansi6v4[1].ppt—PowerPoint Presentation—FSTC—Financial Services Technology Consortium, Sep. 30 to Oct. 1, 1996.
- “AT&T Global offers one-step imaging,” *American Banker*, vol. 159, No. 39, p. 14A(1), Feb. 28, 1994.
- “AT&T Partners with Fiserv to Form Single Source Provider for Leading Image Item Processing Solutions,” *PR Newswire*, at 913CL011, Sep. 13, 1995.
- ATZEL, (email to Hambro, Oct. 9, 2001).
- “At Your Service. . .,” *Federal Reserve Bank of Kansas City*, 1995.
- “Baby boomers, Generation X are both addicted to ATM,” *AT&T News Release*, Feb. 28, 1995.
- “BancTec Inc. has received another order for its image statement processing product (First National Bank of Chicago orders),” Nov. 13, 1991.
- BancTec’s Proposal to the Federal Reserve Bank of Boston, “Technical Volume: Check Image Processing Archive and Retrieval System,” Jul. 8, 1994, JPMC–BANCT 002960–003299 and JPMC–BANCT 001017–001144.
- Banet, B., “Document image processing, 1991: The imaging edge,” *Seybold Rep. on Publishing Sys.*, vol. 20, No. 19, Jun. 24 1991.
- “Bank Automation News,” *Finance & Banking Newsletter*, vol. 9, Iss. 6, Apr. 2, 1997.
- “Banks to Check Out Imaging (Solutions),” *Communications Week International*, 1992, No. 093, p. 46, Oct. 19, 1992.
- Barhel, M., “NCR and Unisys exchange check images in a pivotal test (computer makers test compatibility of check imaging systems),” *American Banker*, vol. 158, No. 67, p. 3(1), Apr. 8, 1993.
- Barthel, Matt, “Unisys, Bancotec offer PC-based imaging: high-tech check statements produced; community banks are market,” *American Banker*, vol. 157, No. 195, p. 3(1), Oct. 8, 1992.
- Bartholomew, D., “More Checks on Checks—Bank of America plan to convert to an IBM imaging system that screens checks faster and more thoroughly (spotlight),” *Informationweek*, 1994, No. 504, p. 32, Dec. 5, 1994.
- “Bill Processing: US West Re-Engineers with \$7.2 Million Unisys Image-based Remittance Processing Solution,” *EDGE, on & about AT&T*, vol. 10, No. 378, Oct. 23, 1995.
- Blankenhorn, D., “Cincinnati Bell and Unisys go into bank imaging,” *Newsbytes*, p. NEW10240020, Oct. 24, 1990.
- Block, V., “USAA Federal gets imaging system,” *American Banker*, vol. 159, No. 49, p. 6A(1), Mar. 14, 1994.
- Booker, E., “Bank to test scalable NCR imaging for check processing,” *Computerworld*, pp. 66, Dec. 14, 1992.
- Brown, J., “Imaging may dramatically alter bank data networks,” *Network World*, vol. 6, No. 19, p. 6(2), May 15, 1989.
- Buchok, J., “OCR gets processing credit,” *Computing Canada*, vol. 19, No. 26, Dec. 20, 1993.
- “Chase’s New Image,” *Information Week*, No. 517, at 14, Mar. 16, 1995.
- Check[1].ppt—Powerpoint Presentation—Current Check Flow, Dec. 12, 1995.
- “Check Image Exchange Project (a.k.a. Interbank Check Imaging Project,” at [www.fstc.org/projects/imaging/index.cfm](http://www.fstc.org/projects/imaging/index.cfm).
- “Check-Image Interchange Inches Closer,” *Bank Technology News*, vol. 10, No. 1, p. 19+, Jan. 1997.
- “Checks & Checking: Check Imaging at the Teller Station (Alliance Integration & Services Introduces Imaging System that can be Installed at Bank Teller Stations),” *Bank Technology News*, vol. 9, No. 10, at 37, Oct. 1996.
- “Chemical Chooses IBM Check Imaging (Chemical Banking Corp to install IBM’s ImagePlus High Performance Transaction System to process 9 mil checks daily,” *Bank Technology News*, vol. 8, No. 9, p. 11, Sep. 1995.
- “Cincinnati Bell: CBIS & Unisys in Major Imaging Agreement,” *EDGE, on & about AT&T*, vol. 5, No. 118, Oct. 29, 1995.
- “Cincinnati Bell Information Systems (Integrator Briefs),” *Computer Reseller News*, 1993, No. 534, p. 129, Jul. 12, 1993.
- Complaint in *Data Treasury Corp. v. Bank One Corp.*, Cause No. 3–03CV0059–K, In the United States District Court for the Northern District of Texas, Dallas Division.
- Complaint in *Data Treasury Corp. v. First Data Corporation, et al.*, Cause No. 502CV094, In the United States District Court for the Eastern District of Texas, Texarkana Division.
- Complaint in *Data Treasury Corp. v. RDM Corp., a.k.a. Research Development and Manufacturing Corp.*, Cause No. 3–02CV2641–M, in the United States District Court for the Northern District of Texas, Dallas Division.
- Complaint in *Data Treasury Corp. v. Ingenico S.A., et al.*, Cause No. 502CV095, In the United States District Court for the Eastern District of Texas, Texarkana Division.
- Complaint in *Data Treasury Corp. v. J.P. Morgan Chase & Co., et al.*, Cause No. 502CV124, In the United States District Court for the Eastern District of Texas, Texarkana Division.
- “Computerm Announces Remote Check Imaging Support for VMC 8200 High-Speed Channel Extension System,” *PR Newswire* at 408LAM012, Apr. 8, 1996.
- “Computerm Eases Remote Imaging,” *American Banker*, vol. 158, No. 156, at 13A(1), August 16, 1993.
- “Computerm Enables Boatmen’s Bancshares to Execute Remote Check Imaging,” *PR Newswire* at 408LAM013, Apr. 8, 1996.
- Cooney, M., “Frame relay comes to Computer extenders,” *Network World*, Jun. 28, 1993.
- Cortese, Amy, “Image Yields Interest at Banks (Collaboration Results in Imaging System to Automate Check Processing,” *ComputerWorld*, at 6, Mar. 19, 1990.
- Costanzo, C., “As Banks Cling to the Conventional, Check-Imaging Struts Its Stuff,” *Bank Technology News*, p. 1, Mar. 1994.
- Crockett, B., “Systematics to use deposited-check imaging: installation at firm’s N.J. center would be the first to outsource,” *American Banker*, vol. 158, No. 95, p. 3(1), May 19, 1993.
- Crone, “Reducing Data Processing Costs with a Remote Item Processing System,” *Bank Administration*, Oct. 1986, pp. 44–46.
- Daly, B., “Unisys Acquires Visual Impact Solution for Check Processing, Archive and Image Delivery,” *Business Wire*, p. 9181204, Sep. 18, 1997.
- Daly, B., “Unisys provides services to Bank of the West to support retail banking,” *Business Wire*, p. 9180098, Sep. 18, 1995.
- “Data Compression Over Frame Relay Implementation Agreement FRF.9,” Jan. 22, 1996, downloaded at <http://www.frforum.com/5000/Approved/FRF.9/frf9.pdf>.

- "Defendants' Final Invalidity Construction Pursuant to Fourth Amended Docket Control Order and Patent Local Rules 3-3 and 3-6," pp. 1-21, Civil Action No. 5:03-CV-039 (DF), Dec. 13, 2005.
- "Defendants Ingenico S.A. and Ingenico, Inc.'s Preliminary Invalidity Contentions," in *Data Treasury Corp. v. Ingenico S.A. et al.*, Cause No. 502CV095, In the United States District Court of Texas, Texarkana Division.
- "Defendants' Preliminary Invalidity Construction Pursuant to Patent Local Rules 3-3 and 3-4," in *Data Treasury Corp. v. First Data Corporation, et al.* Cause No. 502CV094, In the United States District Court of Texas, Texarkana Division.
- Depompa, Barbara, "IBM Adds Image-Based Check Processing," *MIS Week*, vol. 11, No. 12, at 12(1), Mar. 19, 1990.
- Description of the IBM "3174 Network Processor," Oct. 7, 1992, found on the web at the URL: <http://ecc400.com/ibm/controllers/314prod.htm> and <http://www.commercecomputer.com/3174.html>.
- Dinan, Painter & Rodite, "ImagePlus High Performance Transaction System," *IBM Systems Journal*, vol. 29, No. 3, 1990, pp. 421-434.
- Document Image Report, IntraFed Touts Remote Services, vol. 6, Issue 25, Dec. 11, 1996.
- Dowell, "Security," email to fstc-image, Apr. 27, 1996.
- Durham, D., "Broadway & Seymour to Invest in Two Strategic Initiatives," *Business Ire*, p. 03151248, Mar. 15, 1995.
- eCheck: Homepage, 2003.
- Electronic Imaging '88—Advanced Printing of Paper Summaries, vol. 1, Anaheim, California, Mar. 1998.
- Electronic Imaging '88—Advanced Printing of Paper Summaries, vol. 1, Oct. 3-6, 1988, Boston, MA.
- E-mail of May 10, 2006 titled "USPTO Reexam. C.N 90/007,829, Requested Date: Nov. 25, 2005" from "PT" <admin@patenttraker.com>.
- "Entrust Encryption and Digital Signature Explained," date unknown.
- Evankovits, S., "Computer earns MCI 'Level' approval; Computer's industry exclusive native Frame Relay interface passes test for interoperability with MCI's Frame Relay services," *Business Wire*, Apr. 12, 1995.
- Evans, J., "The end of the paper wait: document imaging (includes related articles on successful document imaging implementations at Borgess Medical Center, the Huntington Internal Medicine Group, the University of Alabama Health Services Foundation and Quest Diagnostic) (Industry Trend or Event)," *Health Management Technology*, vol. 18, No. 2, p. 16(5), Feb. 1997.
- Fassett, W., "Impact of Imaging," *Bank Management*, vol. 67, No. 11, p. 56, Nov. 1991.
- Federal Reserve Bank of Boston, "Request for Proposal for Check Image Processing and Archival and Retrieval Systems For The Federal Reserve," Apr. 21, 1994, JPMC 152558-152803.
- Feighery, M., "NCR demonstrates systems for Insurance and accounting industry," *AT&T News Release*, May 31, 1992.
- Feihery, M. and Brochonko, K., "NCR demonstrates full line of retail products at NRF conference," *AT&T News Release*, Jan. 18, 1993.
- FileNet Product Brochure, "Introducing the Age Document-Image Processing," The PC Connection, and Wide-Area Image Communication and System Networking, 1998, 14 pages.
- "Financial EDI over the Internet," Bank of America, 1996.
- Financial Services Technology Consortium ("FSTC") Interbank Check Imaging Project White Paper, dated: Jun. 20, 1994.
- Fisher, M., "IBM, Consumers continue work on document image processor," *Datamation*, vol. 34, No. 19, Oct. 1, 1988.
- Fitch, "Digital image system speed return items, exceptions," *Corporate Cashflow*, May 1996.
- Fitch, T., "Check image capture speeds up positive pay reconciliation," *Corporate Cashflow*, Feb. 1995.
- Friedman, D., "Nixdorf Computer Introduces DCPA Image—A Sophisticated Document Image Processing System with Unique Capabilities," *PR Newswire*, Aug. 15, 1989.
- FSTC Check Image Interchange Project, dated: May 25, 1995.
- FSTC Check Image Interchange Project Pilot Phase 1A: Preliminary Architecture and Project Plan, dated: Jun. 30, 1995.
- "FSTC Check Image Quality Subproject," date unknown.
- FSTC Compilation of ANSI X9.46, Data Structure Reference, dated: Jul. 31, 1995.
- FSTC Demonstrates Interbank Check Image Pilot; Multi-Vendor System Speeds check Clearing, Cuts Fraud—FSTC Pilot Lays Foundation for "Paper Check Truncation," [www.ftsc.org/projects/imaging/public/information.cfm](http://www.ftsc.org/projects/imaging/public/information.cfm), Dec. 12, 1995.
- "FSTC Image Exchange," May 21, 1996.
- FSTC Image Quality Functional Requirements, dated: Jul. 26, 1995.
- FSTC Interbank Check Imaging: Unisys Monthly Status Report, Jun. 26, 1996.
- "FSTC Interbank Check Imaging: Unisys Monthly Status Report," Jul. 22, 1996.
- FSTC Pilot Overview, dated: Apr. 3, 1995.
- "FSTC: Projects—Check Image Exchange Project—Project Participants," at [www.ftsc.org/projects/imaging/participants/cfm](http://www.ftsc.org/projects/imaging/participants/cfm).
- FSTC Projects: The Bank Internet Payment System (BIPS): Leading the Way to Electronic Commerce, FSTC, 2003.
- Garvey, M., "Check Processing Goes Digital—Chase Manhattan Bank to store checks electronically, saving time and money," *Informationweek*, 1997, No. 648, p. 20, Sep. 15, 1997.
- Gawen, "PC Based Document Image Processing and Signature Verification," *Proceedings of the Information & Image Management Conference*, 1991, pp. 389-391.
- "Global Concepts—Payment Systems Consulting," at [www.global-concepts.com/image\\_archive.htm](http://www.global-concepts.com/image_archive.htm).
- Griffith, M. and Mazzola, J., "National City, NCR form strategic imaging partnership," *AT&T News Release*, Nov. 9, 1992.
- Gullo, K., "NCR, Unisys plan check imaging for IBM Systems," *American Banker*, vol. 156, No. 249, p. 1(2), Dec. 30, 1991.
- Haig, J., "Unisys integrates retail/wholesale lockbox solution for remittance processors," *Business Wire*, p. 03251075, Mar. 25, 1997.

- Haig, J., "Unisys solution will support check processing at Vermont Federal," *Business Wire*, p. 5201185, May 20, 1996.
- Helm, Sylvia, "Banks check into image processing," *Computers in Banking*, vol. 7, No. 3, p. 25(7), Mar. 1, 1990.
- Helm, S., "Who's doing what in image processing (includes definition of image processing)," *ABA Banking Journal*, vol. 83, No. 1, p. 31(3), Jan. 1991.
- "High Volume Data Capture Sans Paper" in *Bank Systems Technology*, May, 1996, p. 35.
- Homa, "MICR Technology Helps Eliminate POS Check Fraud," *Chain Store Age Executive*, Sep. 1991.
- Horine, J., "AT&T and Fiserv team to offer imaging solutions," Sep. 13, 1995.
- "Huntington BancShares in the Forefront of Technology with Purchase of Unisys Check Imaging System," *PR Newswire*, p. 1, Oct. 11, 1989.
- IBM Electronic Payment System Support/Check Processing Control Systems: Progress Reference and Operations Manual, dated: Jun. 1986.
- "IBM FSTC Pilot Status".
- IBM Product Announcement 190-040, (IBM 3898 Image Processor), dated: Mar. 13, 1990.
- IBM Systems Journal, vol. 29, No. 3, 1990 (entire journal).
- "IBM X9.46 Pilot Status—Summary," date unknown.
- "Ibnamed, A Load Balancing Name Server Written in Perl," Sep. 17, 1995, located at the web at URL [www.stanford.edu/~schemers/docs/Ibnamed/Ibnamed.html](http://www.stanford.edu/~schemers/docs/Ibnamed/Ibnamed.html).
- "Ibnamed, A Load Balancing Name Server Written in Perl," Oct. 15, 2002, found on the web at the URL [www.stanford.edu/~schemers/docs/Ibnamed/Ibnamed.html](http://www.stanford.edu/~schemers/docs/Ibnamed/Ibnamed.html).
- "ICI Project Security Work Session," May 10, 1996.
- Image Archive Forum Flow Nos. 1-13, Sep. 1997.
- Image Archive Forum Methodology and Value, Sep. 19, 1997.
- Image Archive Forum, "Payment System Task Force Economic Framework," Jan. 27, 1998.
- ImagePlus brochure by IBM, 1991.
- "Image Processing Survival Guide, vol. 11; Sure-Fire Strategies for Implementing Image Remittance," Philips Business Information, Inc., 1996.
- "Image systems garner NOAC spotlight (American Bankers' Association's National Operations and Automation Conference)," *Computer in Banking*, vol. 6, No. 7, p. 8(4), Jul. 1989.
- "Imaging products. Check Processing—IBM's ImagePlus High Performance Transaction System," *United States Banker*, vol. 100, No. 8, p. 23(3), Aug. 1990.
- "Imaging vendors shape processing," *Banking Management*, vol. 69, No. 4, p. 29, Apr. 1993.
- Imwalle, C. and Pratt, J., "250 U.S. banks to use NCR, Cincinnati Bell financial systems," *AT&T News Release*, May 4, 1993.
- "Industry Security Leader Racial Supports Visa/Mastercard Proposal for Internet," *PR Newswire* Apr. 17, 1996.
- INSPEC search with abstracts.
- "Item processing leaps ahead with VisualImpact and Windows NT (Sponsored Supplement: Unlock Your Back Office with Microsoft Back Office)," *US Banker*, vol. 105, No. 6, p. S4(3), Jun. 1995.
- Janusky, "FSTC Interbank Check Imaging," Apr. 29, 1996.
- Janusky, "FSTC Interbank Check Imaging," May 22, 1996.
- Joint Marketing & Referral Agreement Between ACS Image Solutions, Inc. and JPMorgan Chase Bank.
- Jones, J., "Broadway & Seymour Announces Client/Server Product for Item and Image Processing," *Business Wire*, p. 03201186, Mar. 20, 1995.
- Jones, J., "Broadway & Seymour announces new VISUAL-IMPACT release," *Business Wire*, p. 3291274, Mar. 29, 1996.
- Klein, M., "Terminal Data to supply NCR with document microfilmers," *AT&T News Release*, Oct. 13, 1993.
- Kraynak Maxfield, J., "Signet Processes Over 2,500 Documents/Hour in Unisys Check Imaging Tests," *PR Newswire*, p. 0409P8428, Apr. 9, 1991.
- Kriskern, J., "Engineering a visionary solution," *Datamation*, vol. 36, No. 8, Apr. 15, 1990.
- Kutler, J., "AT&T, IBM, Unisys join bank research group," *American Banker*, vol., 159, No. 124, p. 14(1), Jun. 29, 1994.
- Lubetkin, S., "Unisys enters image processing market with two new products and major financial and industrial customers (product announcement)," *PR Newswire*, p. 1011PH009, Oct. 11, 1989.
- Mantel, K., "Notes Gets in the Picture," *Datamation*, Jul. 15, 1992.
- Marjanovic, "Payment Groups Square Off Over Electronic Check Plan," *American Banker*, date unknown.
- Marjanovic, S., "Mich. National streamlines imaging with IBM system (check imaging)," *American Banker*, vol. 160, No. 176, Sep. 13, 1995.
- Marjanovic, Steven, "Home Loan Bank to Offer Check-Image Statements to Members' Customers," *American Banker*, vol. 159, No. 248, at(1), Dec. 29, 1994.
- Mazzola, J., "NCR and NYCH to develop image-based check notification system," *AT&T News Release*, Aug. 24, 1992.
- Mazzola, J. and Hendrickson, L., "NCR deposit processing technology speeds banking operations," *AT&T News Release*, Dec. 7, 1992.
- Mazzola, J. and Hendrickson, L., "Wachovia tests NCR's new imaging item processing system," *AT&T News Release*, Nov. 15, 1991.
- Mazzola, J., Hendrickson, L. and Gatati, G., "NCR signs DSI alliance for imaging statement processing," *AT&T News Release*, Jul. 20, 1992.
- Mazzola, J., Hendrickson, L. and Waters, R., "NCR, CKI to market image-based credit card chargeback system," Jan. 6, 1993.
- Mazzola, J. and O'Donohue, M., "Frost National Bank selects NCR over old mainframe environment," *AT&T News Release*, Apr. 28, 1993.
- McGinn, Janice, "IBM ImagePlus High Performance Transaction System (IBM Harness Image Processing to Make its 389x/XP Cheque Processor More Efficient)," *Computergram International*, No. 1389, at CG103210008, Mar. 21, 1990.
- McKee, K., and Gundlach, D., "Retail Banking Solution enhanced," *AT&T News Release*, May 21, 1990.
- Messmer, K., "Hurdles stand in way of electronic banking," *Network World*, p. 33, Sep. 4, 1995.
- "Microsoft Introduces SNA Server Version 3.0, Begins Beta Testing," *Microsoft Press Release*, Aug. 29, 2006, found at: <http://www.microsoft.com/presspass/press/1996/jun96/sna30pr.msp>.
- Moore, J., "IBM, Unisys test check systems for Fed Reserve," *Federal Computer Week*, vol. 6, No. 21, p. 6(2), Jul. 27, 1992.



- Moreau, Thierry, "Payment by Authenticated Facsimile Transmission, a Check Replacement Technology for Small and Medium Enterprises," Nov. 25, 2006, found at: <http://www.connotech.com/PAYPROC.HTM>.
- Morris, H.M. and Orth, R.H., Image system communications, IBM Systems Journal, vol. 29, No. 3, 1990, pp. 371-383.
- Murphy, P., "POD Check Imaging Faces Challenges (In 1995, vs. 1996, banks raised Investment in check imaging by 9% from \$198 mil and \$215 mil; new lost cost POD technology keeps costs down)," Bank Technology News, vol. 10, No. 3, p. 23, Mar. 1997.
- "NCRReports: Financial Services Trends and Technologies," Issue 1, NCR, Jan. 1997.
- "NCRReports: Financial Services Trends and Technologies," Issue 2, NCR, Jan. 1997.
- "NCRReports: Financial Services Trends and Technologies," Issue 3, NCR, Jan. 1997.
- "NCRReports: Financial Services Trends and Technologies," Issue 4, NCR, Jan. 1997.
- "NCRReports: Financial Services Trends and Technologies," Issue 5, NCR, Jan. 1997.
- "NCRReports: Financial Services Trends and Technologies," vol. 1, Issue 6, NCR, Jan. 1997.
- "NCRReports: Financial Services Trends and Technologies," vol. 1, Issue 7, NCR, Jan. 1997.
- "NCRReports: Financial Services Trends and Technologies," vol. 1, Issue 8, NCR, 1999.
- NCR 7780 Brochure, copyrighted 1989.
- "NCR—Hardware—7780 Mid-Range Item Processing Transport," at [www.ncr.com/products/hardware/hw\\_7780\\_product.htm](http://www.ncr.com/products/hardware/hw_7780_product.htm).
- "NCR—Hardware—7780, Technical Specifications," at [www.ncr.com/products/hardware/nw\\_7780\\_ts\\_product.htm](http://www.ncr.com/products/hardware/nw_7780_ts_product.htm).
- "NCR offers new image-based Document Management System," AT&T News Release, Jun. 23, 1992.
- "NCR Unveils Client-Server Check Imaging," Bank Technology News, vol. 9, No. 3, p. 23, Mar. 1, 1996.
- Nixon, B., "Is check imaging for you? (automation in banking) (includes related article)," Savings & Community Banker, vol. 2, No. 10, p. 28(6), Oct. 1993.
- No1016v4[1].ppt—PowerPoint Presentation—FSTC—Interbank Check Image Project, Sep. 30 to Oct. 1, 1996.
- "NSSDC's Mass Storage System Evolves," Mar. 1995, found on the web at the URL: [http://nssdc.gsfc.nasa.gov/nssdc\\_news.march95/09\\_i\\_behnke\\_0395.html](http://nssdc.gsfc.nasa.gov/nssdc_news.march95/09_i_behnke_0395.html).
- O'Haney, S., "Prepare for the image revolution (Banker and Vendors) (image processing: includes related article listing image processing products) (buyers guide)," Computers in Banking, vol. 6, No. 10, p. 24(6), Oct. 1989.
- "On the imaging technology front," American Banker, vol. CLXI, No. 68, p. 26, Apr. 10, 1996.
- PACESBusReq3[1].doc—Microsoft Word Doc—"PACES Paperless Automated Check Exchange & Settlement—Business Requirement," Apr. 3, 1998.
- PacesOverview40[1].ppt.—PowerPoint Presentation.
- PACESPRO[1].doc—Microsoft Word Doc—"PACES Paperless Automated Check Exchange & Settlement—Project Proposal," Apr. 23, 1998.
- PACESRequirements[1].doc—Microsoft Word Doc—"PACES Paperless Automated Check Exchange & Settlement—Requirements Document," Apr. 23, 1998.
- Plesums, C.A. and Bartels, R.W., Large Scale Image Systems: USAA Case Study, IBM Systems Journal, vol. 29, No. 3, 1990, pp. 343-355.
- "Preliminary Invalidity Contentions of Defendant's J.P. Morgan Chase & Co. and JPMorgan Chase Bank," in *Data Treasury Corp. v. J.P. Morgan Chase & Co., et al.*, Cause No. 502CV124, In the United States District Court for the Eastern District of Texas, Texarkana Division.
- "Press Release, Cisco Partners with AT&T on Network Switch Manufacturing," Sep. 26, 1995, found on the web at <http://www.lucent.com/press/0995/950926.mma.html>.
- Press Release, "NCR Document Management System Includes Kodak, Ricoh Products," Apr. 6, 1993.
- Press Release, "NCR Introduces Scalable Image Item Processing Solution," Jan. 19, 1996.
- "Regions Bank Selects ImageSoft to Provide Image Solutions," Business Wire, at 9161220, Sep. 16, 1997.
- Rivest, R.L., Shamir, A., Adleman, L., "A Method for Obtaining Digital Signatures and Public-Key Cryptosystems," date unknown.
- Robinson, G., "Universal Card purchases BancTec Image-FIRST system," AT&T News Release, Dec. 22, 1992.
- Roldan, Jr., "Image Quality White Paper," FSTC, 1999.
- Roldan, M., "Paperless Automated Check Exchange and Settlement (PACBS) (status update) (PACES completes specification and design of image exchange environment and is accepted as part of SVPCO Image Strategy)," FSTC, at [www.fstc.org/project/paces/index.cfm](http://www.fstc.org/project/paces/index.cfm), Jun. 22, 2000.
- Roldan, Mariano, Financial Services Technology Consortium, "PACES Paperless Automated Check Exchange & Settlement Project Overview, PACES Planning Meeting, New York City," Dec. 19, 1997.
- Schwartz, J., "Banks to Test Imaging for Clearing Checks," Communications Week, No. 420, p. 35, Sep. 14, 1992.
- Search Report for PCT/US00/33010, Jun. 21, 2002.
- Softchec Licenses 'Envision' Image Solution to West Suburban Bank, PR Newswire, at 116SETU002, Jan. 16, 1996.
- "Special Report: Fire Tuning of the Terminal Picture," Computerworld, Aug. 1983.
- Spencer, H., "Scanning goes vertical: a big future for specialized check scanning; check scanning technology," Advanced Imaging, No. 10, vol. 12, p. 54, Oct. 1997.
- Stellwag, C., "New ATM from AT&T GIS features automated document processing," AT&T News Release, Nov. 29, 1994.
- Stellwag, C. and Bochonko, K., "NCR and Cincinnati Bell offer image processing service," AT&T News Release, Jan. 11, 1994.
- Stellwag, C. and Bochonko, K., "Norwest Bank selects NCR item processing systems for lockbox," AT&T News Release, Aug. 2, 1993.
- Stellwag, C., Graves, T., and Brochonko, K., "New Mexico uses NCR imaging systems for tax, revenue processing," AT&T News Release, Jul. 12, 1993.
- Stellwag, C., Proto, J., and Bochonko, K., "CashFlex selects NCR item processing system for lockbox," AT&T News Release, Jul. 12, 1993.
- Stellwag, C., Roedel, R., and Bochonko, K., NCR and Arkansas Systems announce strategic alliance, AT&T News Release, Jul. 12, 1993.
- Stellwag, C., Sanders, G., and Bochonko, K., "NCR and Signet Banking to provide item processing services," AT&T News Release, Jul. 13, 1993.

“SurePOS ACE Electronic Payment Support PRPQ for 4690 OS,” Version 1, Release 5, IBM, 1998, 2002.

“The Check Information Age: Vision Executive Summary Image Archive Forum, Payment System Task Force,” Jan. 27, 1998.

“The Wachovia Story,” Research, Development Manufacturing Corporation, 1993.

Tracey, Brian, “IBM Unveils First Stage of Image-Check System,” Computers in Banking, vol. 7, No. 4, at 12(3), Apr. 1990.

Tucker, T., “Broadway rolls out check imaging system for community banks,” American Banker, vol. 160, No. 61, p. 14(1), Mar. 30, 1995.

“Understanding EDI,” 1996.

“Unisys Enhances Check Imager (Unisys Corp makes effort to appeal to wider range of financial institutions),” American Banker, vol. CLIX, No. 205, p. 15A, Oct. 24, 1994.

“Unisys Wins Contract to Supply Imaging Solution to Chase Manhattan/FISER V Check Processing Alliance,” Business Wire, at 6121175, Jun. 12, 1995.

“Unix-Based Image Statement Software,” ABA Banking Journal, vol. 85, No. 2, at 80(1), Feb. 1993.

“Verifone Software Links PCs to the Point of Sale,” American Banker, vol. 158, No. 156, at 13A(1), Aug. 16, 1993.

Vermeire, “Prosecution of Check Image Patent,” letter to Hanna, Jul. 11, 1997.

Wagner, M., “Banc One checks out Web,” Computerworld, vol. 30, No. 35, p. 69, Aug. 26, 1996.

Western Bank purchases NCR’s Document Managing system, AT&T News Release, Aug. 31, 1993.

“Imaging in Corporate Environments: Technology and Communication,” Daniel Minoli, McGraw Hill, 1994.

“ANSI/ABA X9.46-1995, Draft version 0.13, American National Standard For Financial Image Interchange: Architecture, Overview and System Design Specification.”

“ANSI/ABA X9.46-1997, American National Standard For Financial Image Interchange, Architecture, Overview and System Design Specification.” Copyright 1996.

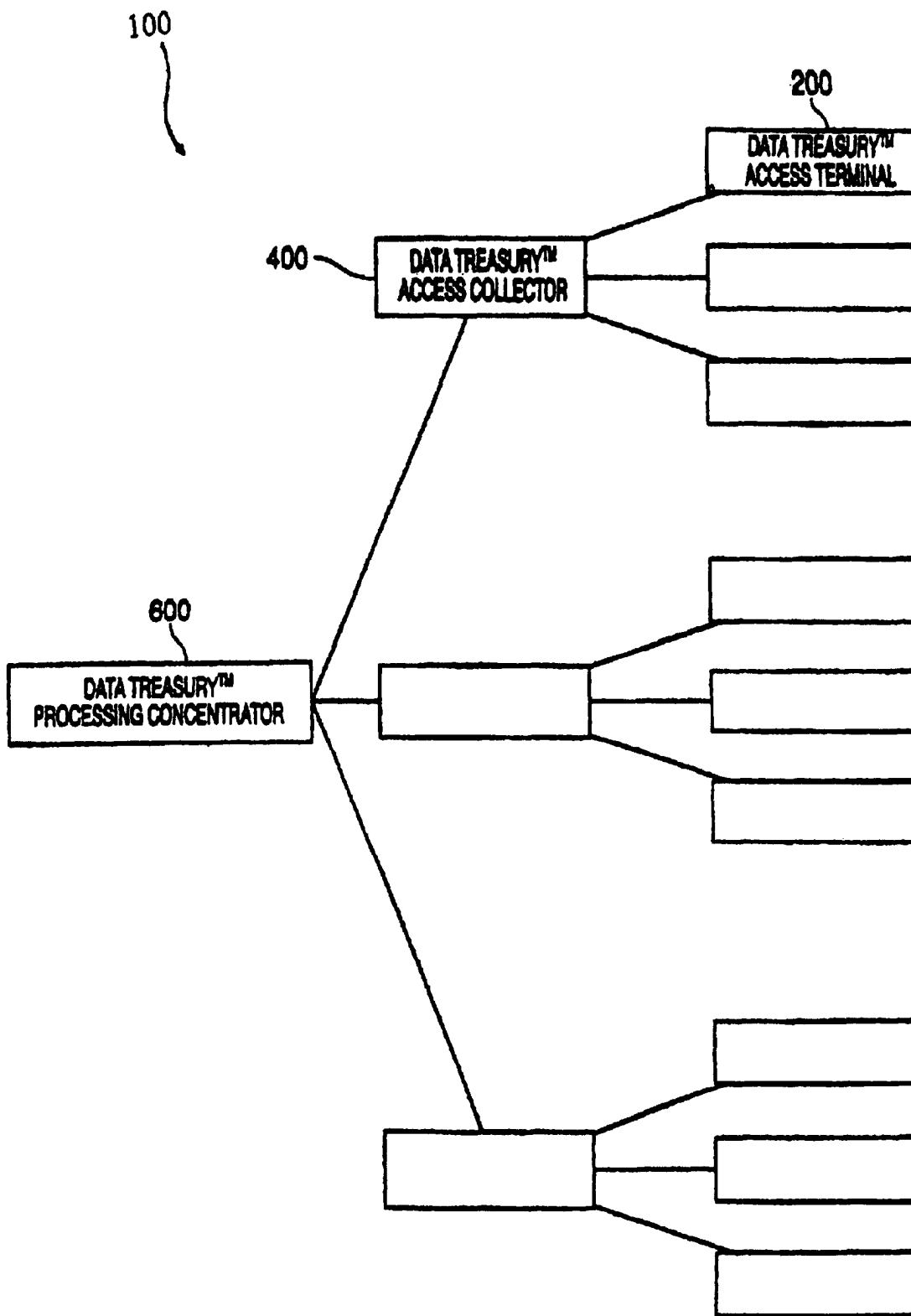


FIG. 1 (Amended)

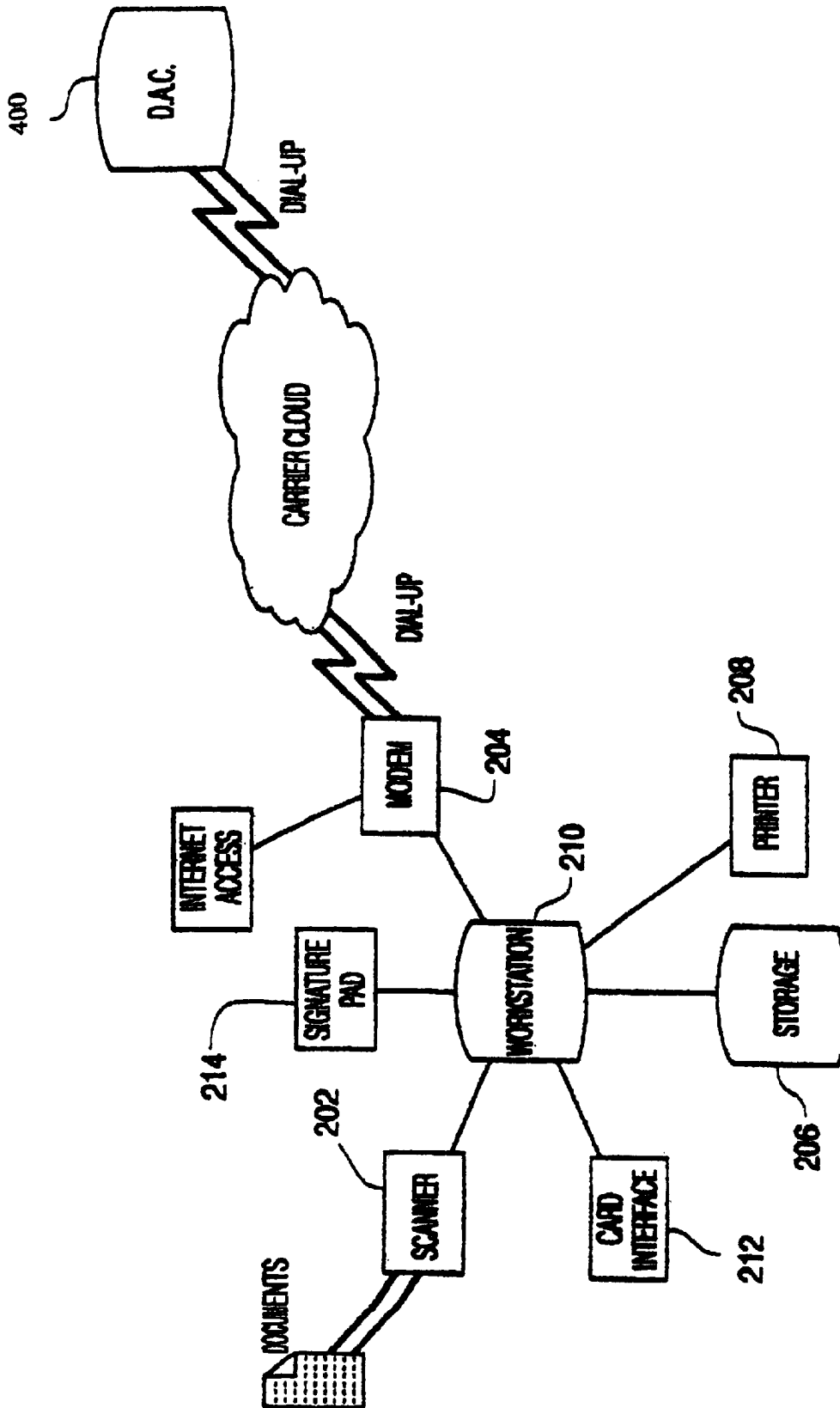


FIG. 2 (Amended)

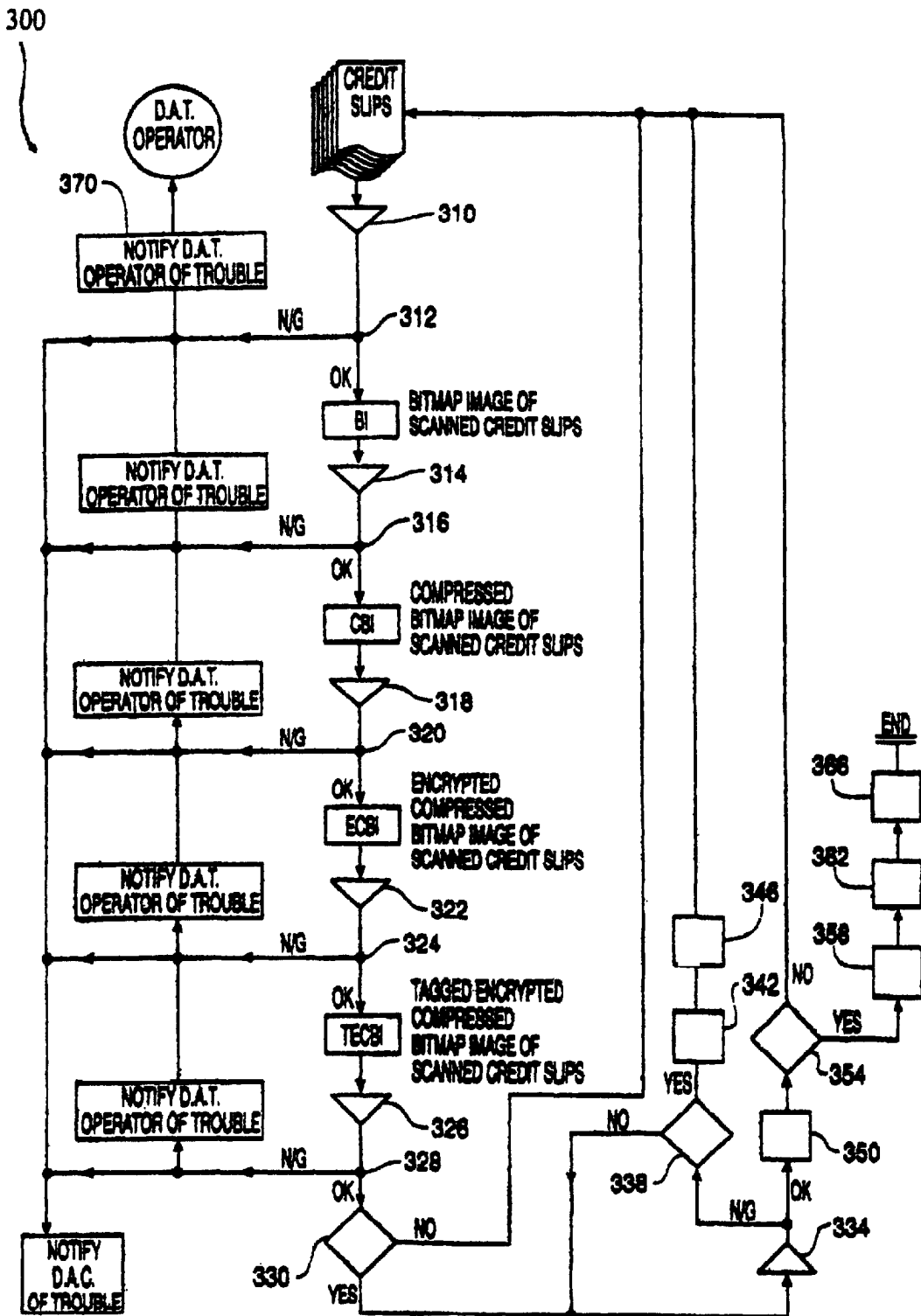


FIG. 3A (Amended)

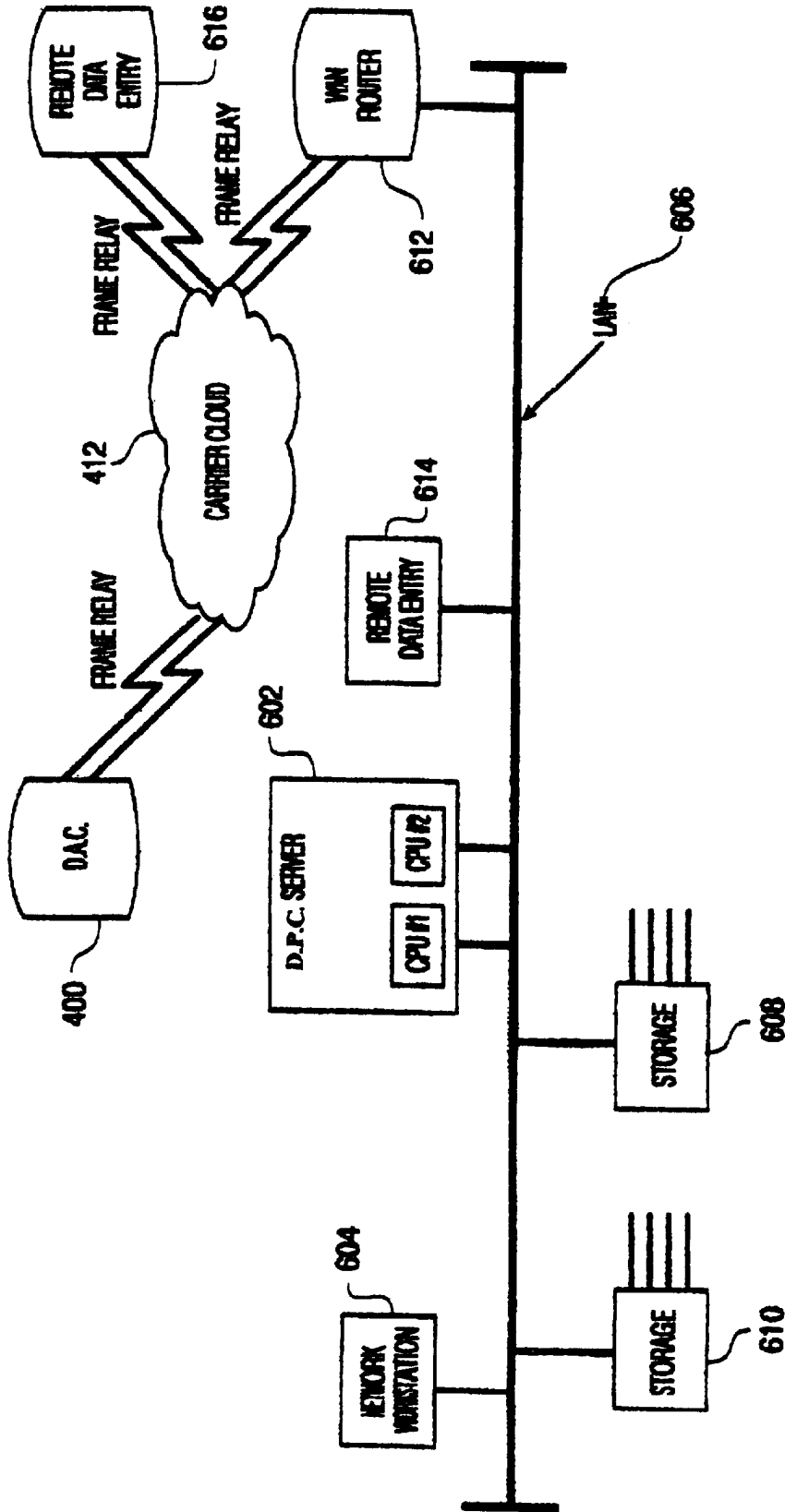


FIG. 6 (Amended)

**1**

**EX PARTE**  
**REEXAMINATION CERTIFICATE**  
**ISSUED UNDER 35 U.S.C. 307**

THE PATENT IS HEREBY AMENDED AS  
INDICATED BELOW.

**Matter enclosed in heavy brackets [ ] appeared in the patent, but has been deleted and is no longer a part of the patent; matter printed in italics indicates additions made to the patent.**

ONLY THOSE PARAGRAPHS OF THE  
SPECIFICATION AFFECTED BY AMENDMENT  
ARE PRINTED HEREIN.

Column 6, lines 23–26:

Since [DataGlyph] *DataGlyph*<sup>TM</sup> elements represent a large amount of information in a small amount of space, the DAT scanner [100] 202 will require a small amount of time to input a large amount of information.

Column 19, lines 59–63:

FIG. 7 is a flow chart 700 describing the polling of the DACs [300] 400 by a DPC 600 and the transmission of the TECBIs from the DACs [300] 400 to the DPC 600. In step 702, the DPC 600 reads the address of the first DAC [300] 400 in its region for polling.

Column 19, line 64 to column 20, line 2:

In step 704, the DPC 600 connects with a DAC [300] 400 for transmission. The DPC 600 determines whether the connection to the DAC [300] 400 was successful in step 706. If the call to the DAC [300] 400 was unsuccessful, the DPC 600 will record the error condition in the session summary report and will report the error to the DPC 600 manager in step 722.

Column 20, lines 3–7:

If the connection to the DAC [300] 400 was successful, the DPC 600 will verify that the DAC [300] 400 is ready to transmit in step 708. If the DAC [300] 400 is not ready to transmit, the DPC 600 will record the error condition in the session summary report and will report the error to the DPC 600 manager in step 722.

Column 20, lines 8–15:

If the DAC [300] 400 is ready to transmit in step 708, the DAC [300] 400 will transmit a TECBI packet header to the DPC 600 in step 710. The DPC 600 will determine whether the transmission of the TECBI packet header was successful in step 712. If the transmission of the TECBI packet header was unsuccessful, the DPC 600 will record the error condition in the session summary report and will report the error to the DPC 600 manager in step 722.

Column 20, lines 16–23:

If the transmission of the TECBI packet header was successful in step 712, the DAC [300] 400 will transmit a TECBI packet to the DPC 600 in step 714. The DPC 600 will determine whether the transmission of the TECBI packet was successful in step 716. If the transmission of the TECBI packet header was unsuccessful, the DPC 600 will record the error condition in the session summary report and will report the error to the DPC 600 manager in step 722.

Column 20, lines 31–41:

If the TECBI packet header matched the TECBI packet in step 718, the DPC 600 will set the status of the TECBI packet to indicate that it was received at the DPC 600 in step 720. The DPC 600 will also transmit the status to the DAC

**2**

[300] 400 to indicate successful completion of the polling and transmission session in step 720. Next, the DPC 600 will determine whether TECBIs have been transmitted from all of the DACs [300] 400 in its region in step 724. If all DACs [300] 400 in the DPC's 600 region have transmitted TECBIs to the DPC 600, the DPC 600 will compile a DAC [300] 400 status report in step 728 before terminating the session.

Column 20, lines 42–47:

If one or more DACs [300] 400 in the DPC's 600 region have not transmitted TECBIs to the DPC 600, the DPC 600 will get the address of the next DAC [300] 400 in the region in step 726. Next, control returns to step 704 where the next DAC [300] 400 in the DPC's 600 region will be polled as previously discussed.

Column 22, lines 8–17:

In step 1006, the DataTreasury<sup>TM</sup> system captures the check and the payer's biometric data at the payee's remote location. In an alternate embodiment, the DataTreasury<sup>TM</sup> system sends electronic transaction data representing the check from the payer's remote location to the [payer's] payee's remote location. In step 1008, the DataTreasury<sup>TM</sup> system performs verification of the check and biometric data by comparing the remotely captured data with the data stored at a central location. The validation further includes checking the courtesy amount and the payer's signature.

THE DRAWING FIGURES HAVE BEEN  
CHANGED AS FOLLOWS:

FIG. 1, reference number 100 added; FIG. 2, reference number 300 changed to 400; FIG. 3A, reference number 300 added; FIG. 6 "D.A.C." changed to "D.P.C." in box 602.

AS A RESULT OF REEXAMINATION, IT HAS BEEN DETERMINED THAT:

The patentability of claims 1–43 is confirmed.

New claims 44–67 are added and determined to be patentable.

44. A system as in claim 1 wherein said one or more remote data access subsystems also capture electronic transactions from at least one of credit cards and debit cards.

45. A system as in claim 1 further comprising at least one card interface for capturing electronic transaction data.

46. A system as in claim 1 further comprising at least one signature interface for capturing an electronic signature.

47. A system as in claim 1 further comprising at least one biometric interface for capturing biometric data.

48. A system as in claim 1 wherein the system automatically generates at least one of credit card statements, bank statements, and tax reports.

49. A system as in claim 1 wherein said at least one central data processing subsystem polls said one or more remote data access subsystems for transaction data.

50. A system as in claim 1 wherein said transaction data comprises more than one type of transaction data.

51. A method as in claim 26 further comprising capturing electronic transaction data.

52. A method as in claim 26 further comprising capturing an electronic signature.

53. A method as in claim 26 further comprising capturing biometric data.

54. A method as in claim 26 further comprising automatically generating at least one of credit card statements, bank statements, and tax reports.

3

55. A method as in claim 26 wherein said transaction data comprises more than one type of transaction data.

56. A system as in claim 42 wherein said one or more remote data access subsystems also capture electronic transactions from at least one of credit cards and debit cards.

57. A system as in claim 42 further comprising at least one card interface for capturing electronic transaction data.

58. A system as in claim 42 further comprising at least one signature interface for capturing an electronic signature.

59. A system as in claim 42 further comprising at least one biometric interface for capturing biometric data.

60. A system as in claim 42 wherein the system automatically generates at least one of credit card statements, bank statements, and tax reports.

61. A system as in claim 42 wherein said at least one central data processing subsystem polls said one or more remote data access subsystems for transaction data.

4

62. A system as in claim 42 wherein said transaction data comprises more than one type of transaction data.

63. A method as in claim 43 further comprising capturing electronic transaction data.

64. A method as in claim 43 further comprising capturing an electronic signature.

65. A method as in claim 43 further comprising capturing biometric data.

66. A method as in claim 43 further comprising automatically generating at least one of credit card statements, bank statements, and tax reports.

67. A method as in claim 43 wherein said transaction data comprises more than one type of transaction data.

\* \* \* \* \*