

Exhibit A

Int. Cl.: 25

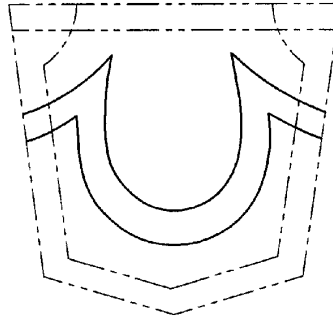
Prior U.S. Cls.: 22 and 39

United States Patent and Trademark Office

Reg. No. 3,147,244

Registered Sep. 26, 2006

**TRADEMARK
PRINCIPAL REGISTER**



GURU DENIM INC. (CALIFORNIA CORPORATION)

1525 RIO VISTA AVENUE
LO ANGELES, CA 90023

FOR: PANTS, JEANS, JACKETS, SHORTS AND SKIRTS, IN CLASS 25 (U.S. CLS. 22 AND 39).

FIRST USE 12-0-2002; IN COMMERCE 12-0-2002.

THE MARK CONSISTS OF A STITCHING DESIGN ON A GARMENT WHICH IS A STYLIZED REPRESENTATION OF THE LETTER "U". THE BROKEN LINES ARE USED TO INDICATE THE POSITIONING OF THE MARK ON THE GOODS AND ARE NOT A FEATURE OF THE MARK.

SER. NO. 76-633,022, FILED 3-9-2005.

BILL DAWE, EXAMINING ATTORNEY

Int. Cl.: 25

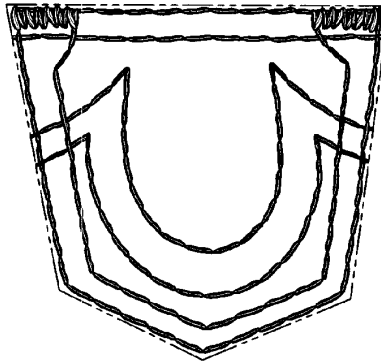
Prior U.S. Cls.: 22 and 39

United States Patent and Trademark Office

Reg. No. 3,561,465

Registered Jan. 13, 2009

TRADEMARK
PRINCIPAL REGISTER



GURU DENIM INC. (CALIFORNIA CORPORATION)
2263 EAST VERNON AVENUE
VERNON, CA 90058

FOR: PANTS, JEANS, IN CLASS 25 (U.S. CLS. 22 AND 39).

FIRST USE 12-1-2007; IN COMMERCE 12-1-2007.

OWNER OF U.S. REG. NO. 3,147,244.

THE MARK CONSISTS OF A STITCHING DESIGN CONSISTING OF THE ONE-HALF INCH STITCH PATTERN USED TO OUTLINE THE POCKET AND TO DEPICT THE "U" SHAPE.

SEC. 2(F).

SN 76-658,114, FILED 4-10-2006.

CHERYL CLAYTON, EXAMINING ATTORNEY

Int. Cl.: 25

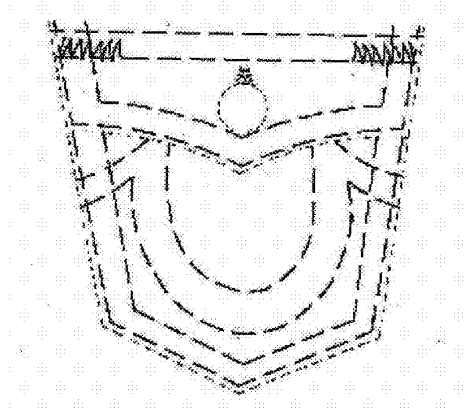
Prior U.S. Cls.: 22 and 39

United States Patent and Trademark Office

Reg. No. 3,561,466

Registered Jan. 13, 2009

TRADEMARK
PRINCIPAL REGISTER



GURU DENIM INC. (CALIFORNIA CORPORATION)
2263 EAST VERNON AVENUE
VERNON, CA 90058

FOR: PANTS, JEANS AND JACKETS; SHORTS, IN CLASS 25 (U.S. CLS. 22 AND 39),

FIRST USE 12-0-2005; IN COMMERCE 12-0-2005.

OWNER OF U.S. REG. NO. 3,147,244.

THE MARK CONSISTS OF A STITCHING DESIGN CONSISTING OF THE ONE-HALF INCH

STITCH PATTERN USED TO OUTLINE THE POCKET AND THE CHEVRON FLAP AND TO DEPICT THE "U" SHAPE AS WELL AS THE ZIGZAGGED STITCHING ON THE CHEVRON FLAP.

SEC. 2(F).

SN 76-658,121, FILED 4-10-2006.

CHERYL CLAYTON, EXAMINING ATTORNEY

Int. Cl.: 25

Prior U.S. Cls.: 22 and 39

United States Patent and Trademark Office

Reg. No. 3,565,138

Registered Jan. 20, 2009

**TRADEMARK
PRINCIPAL REGISTER**



GURU DENIM INC. (CALIFORNIA CORPORATION)
2263 EAST VERNON AVENUE
VERNON, CA 90058

OWNER OF U.S. REG. NO. 3,147,244.

FOR: APPAREL, NAMELY, CAPS, COATS, FOOTWEAR, HATS, HEADWEAR, JACKETS, JEANS, LOUNGEWEAR, PANTS, SHIRTS, SHORTS, SKIRTS, SWEATSHIRTS, SWEATERS, T-SHIRTS, TANK TOPS, IN CLASS 25 (U.S. CLS. 22 AND 39).

THE MARK CONSISTS OF A STYLIZED REPRESENTATION OF THE LETTER "U".

SN 77-092,495, FILED 1-26-2007.

FIRST USE 9-1-2007; IN COMMERCE 9-1-2007.

LESLIE RICHARDS, EXAMINING ATTORNEY

Int. Cl.: 25

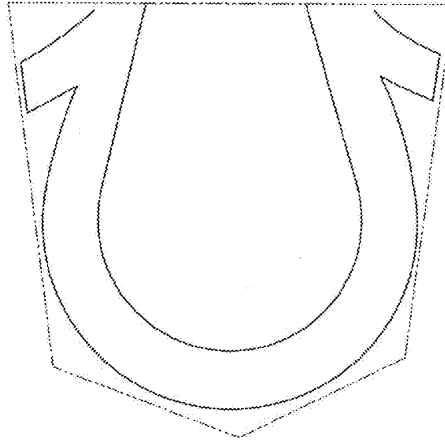
Prior U.S. Cls.: 22 and 39

United States Patent and Trademark Office

Reg. No. 3,565,180

Registered Jan. 20, 2009

**TRADEMARK
PRINCIPAL REGISTER**



GURU DENIM INC. (CALIFORNIA CORPORATION)
2263 EAST VERNON AVENUE
VERNON, CA 90058

FOR: APPAREL, NAMELY, JEANS, PANTS, SKIRTS, SHORTS AND JACKETS, IN CLASS 25 (U.S. CLS. 22 AND 39).

FIRST USE 3-1-2007; IN COMMERCE 3-1-2007.

OWNER OF U.S. REG. NO. 3,147,244.

THE MARK CONSISTS OF A STITCHING DESIGN ON THE POCKET OF A GARMENT WHICH INCLUDES A STYLIZED REPRESENTATION OF THE LETTER "U." THE BROKEN LINES ARE USED TO INDICATE THE POSITIONING OF THE MARK ON THE GOODS AND ARE NOT A FEATURE OF THE MARK.

SN 77-112,885, FILED 2-21-2007.

LINDA M. KING, EXAMINING ATTORNEY

Int. Cl.: 25

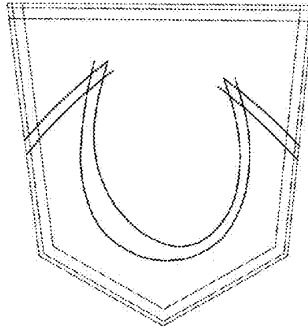
Prior U.S. Cls.: 22 and 39

United States Patent and Trademark Office

Reg. No. 3,568,127

Registered Jan. 27, 2009

**TRADEMARK
PRINCIPAL REGISTER**



GURU DENIM INC. (CALIFORNIA CORPORATION)
2263 EAST VERNON AVENUE
VERNON, CA 90058

FOR: APPAREL, NAMELY, JEANS, PANTS, SKIRTS, JACKETS, IN CLASS 25 (U.S. CLS. 22 AND 39).

FIRST USE 7-1-2007; IN COMMERCE 7-1-2007.

OWNER OF U.S. REG. NO. 3,147,244.

THE MARK CONSISTS OF A POCKET STITCHING DESIGN ON A GARMENT WHICH IS A STYLIZED REPRESENTATION OF THE LETTER "U." THE BROKEN LINES ARE USED TO INDICATE THE POSITIONING OF THE MARK ON THE GOODS AND ARE NOT A FEATURE OF THE MARK.

SN 77-113,843, FILED 2-22-2007.

LINDA M. KING, EXAMINING ATTORNEY

Int. Cl.: 25

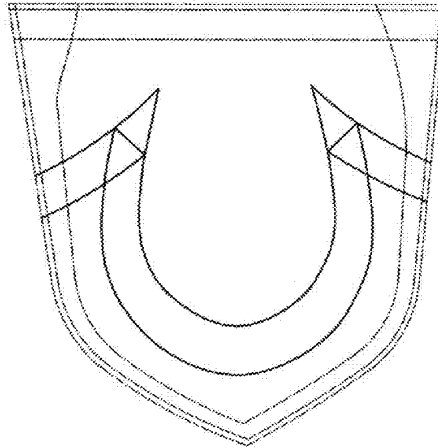
Prior U.S. Cls.: 22 and 39

United States Patent and Trademark Office

Reg. No. 3,561,705

Registered Jan. 13, 2009

**TRADEMARK
PRINCIPAL REGISTER**



GURU DENIM INC. (CALIFORNIA CORPORATION)
2263 EAST VERNON AVENUE
VERNON, CA 90058

FOR: APPAREL, NAMELY, JEANS, PANTS, SKIRTS, SHORTS, JACKETS, IN CLASS 25 (U.S. CLS. 22 AND 39).

FIRST USE 7-1-2007; IN COMMERCE 7-1-2007.

OWNER OF U.S. REG. NO. 3,147,244.

THE MARK CONSISTS OF A POCKET STITCHING DESIGN ON A GARMENT WHICH IS A STYLIZED REPRESENTATION OF THE LETTER "U." THE BROKEN LINES ARE USED TO INDICATE THE POSITIONING OF THE MARK ON THE GOODS AND ARE NOT A FEATURE OF THE MARK.

SN 77-114,126, FILED 2-22-2007.

LINDA M. KING, EXAMINING ATTORNEY

Int. Cl.: 25

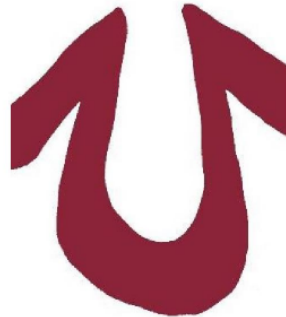
Prior U.S. Cls.: 22 and 39

United States Patent and Trademark Office

Reg. No. 3,561,710

Registered Jan. 13, 2009

**TRADEMARK
PRINCIPAL REGISTER**



GURU DENIM INC. (CALIFORNIA CORPORATION)
2263 EAST VERNON AVENUE
VERNON, CA 90058

FOR: APPAREL, NAMELY, JEANS, PANTS, SKIRTS, SHORTS, HATS, FOOTWEAR, IN CLASS 25 (U.S. CLS. 22 AND 39).

FIRST USE 3-1-2007; IN COMMERCE 3-1-2007.

OWNER OF U.S. REG. NO. 3,127,244.

THE COLOR(S) RED IS/ARE CLAIMED AS A FEATURE OF THE MARK.

THE MARK CONSISTS OF A STYLIZED REPRESENTATION OF THE LETTER "U" IN THE COLOR RED.

SN 77-116,587, FILED 2-26-2007.

LINDA M. KING, EXAMINING ATTORNEY

Int. Cl.: 25

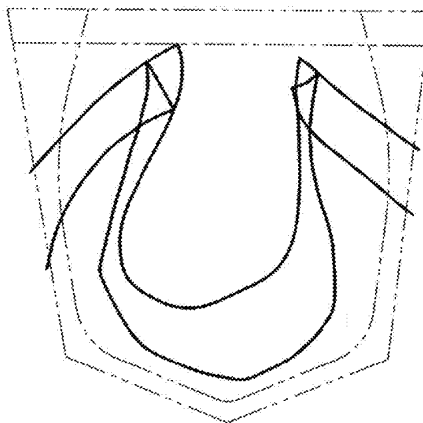
Prior U.S. Cls.: 22 and 39

United States Patent and Trademark Office

Reg. No. 3,565,332

Registered Jan. 20, 2009

TRADEMARK
PRINCIPAL REGISTER



GURU DENIM INC. (CALIFORNIA CORPORATION)
2263 EAST VERNON AVENUE
VERNON, CA 90058

FOR: APPAREL, NAMELY, JEANS, PANTS, IN CLASS 25 (U.S. CLS. 22 AND 39).

FIRST USE 7-1-2008; IN COMMERCE 7-1-2008.

OWNER OF U.S. REG. NO. 3,147,244.

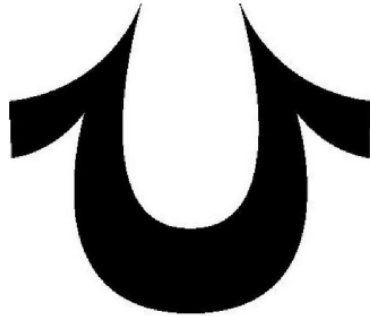
THE MARK CONSISTS OF A STITCHING DESIGN ON THE POCKET OF A GARMENT WHICH INCLUDES A STYLIZED REPRESENTATION OF THE LETTER "U". THE BROKEN LINES IN THE DRAWING ARE USED TO INDICATE THE POSITION OF THE MARK ON THE GOODS AND ARE NOT A FEATURE OF THE MARK.

SN 77-173,532, FILED 5-4-2007.

LINDA M. KING, EXAMINING ATTORNEY

United States of America

United States Patent and Trademark Office



Reg. No. 3,774,711

Registered Apr. 13, 2010

Int. Cl.: 25

TRADEMARK

PRINCIPAL REGISTER

GURU DENIM, INC. (CALIFORNIA CORPORATION), DBA TRUE RELIGION BRAND JEANS
LEGAL DEPARTMENT
2263 EAST VERNON AVENUE
VERNON, CA 90058

FOR: HOSIERY; LEGGINGS; SOCKS; TIGHTS, IN CLASS 25 (U.S. CLS. 22 AND 39).

FIRST USE 12-1-2002; IN COMMERCE 4-7-2009.

OWNER OF U.S. REG. NO. 3,482,001.

THE MARK CONSISTS OF A "U" DESIGN.

SER. NO. 77-817,393, FILED 9-1-2009.

CHERYL CLAYTON, EXAMINING ATTORNEY



David J. Kappas

Director of the United States Patent and Trademark Office

United States of America

United States Patent and Trademark Office

TRUE RELIGION DRIFTER

Reg. No. 3,959,347

Registered May 10, 2011

Int. Cl.: 3

TRADEMARK

PRINCIPAL REGISTER

GURU DENIM, INC. (CALIFORNIA CORPORATION), DBA TRUE RELIGION BRAND JEANS,
LEGAL DEPARTMENT
2263 E. VERNON AVENUE
VERNON, CA 90058

FOR: AFTER-SHAVE; AFTER-SHAVE EMULSIONS; AFTER-SHAVE LOTIONS; BATH
SOAPS; BODY LOTIONS; DEODORANT FOR PERSONAL USE; EAU DE COLOGNES;
FRAGRANCES; SHOWER GELS, IN CLASS 3 (U.S. CLS. 1, 4, 6, 50, 51 AND 52).

FIRST USE 4-1-2010; IN COMMERCE 11-1-2010.

THE MARK CONSISTS OF STANDARD CHARACTERS WITHOUT CLAIM TO ANY PAR-
TICULAR FONT, STYLE, SIZE, OR COLOR.

OWNER OF U.S. REG. NOS. 3,162,614, 3,628,973, AND OTHERS.

SN 77-961,262, FILED 3-17-2010.

MARLENE BELL, EXAMINING ATTORNEY



David J. Kappas

Director of the United States Patent and Trademark Office

Int. Cl.: 25

Prior U.S. Cls.: 22 and 39

United States Patent and Trademark Office

Reg. No. 2,917,187

Registered Jan. 11, 2005

TRADEMARK
PRINCIPAL REGISTER



GURU DENIM, INC. (CALIFORNIA CORPORATION)
1525 RIO VISTA AVENUE
LOS ANGELES, CA 90023

OWNER OF U.S. REG. NO. 2,761,793.

FOR: LABEL FOR CLOTHING, NAMELY MEN'S, WOMEN'S, AND CHILDREN'S PANTS, SLACKS, JEANS, SHORTS, OVERALLS, SHIRTS, T-SHIRTS, BLOUSES, VESTS, SKIRTS, JACKETS, COATS, SWEATERS, SWEATSHIRTS, SWEATPANTS, AND HATS, IN CLASS 25 (U.S. CLS. 22 AND 39).

NO CLAIM IS MADE TO THE EXCLUSIVE RIGHT TO USE "BRAND JEANS", APART FROM THE MARK AS SHOWN.

SER. NO. 78-168,436, FILED 9-26-2002.

FIRST USE 10-1-2002; IN COMMERCE 10-1-2002.

PRISCILLA MILTON, EXAMINING ATTORNEY

Int. Cl.: 25

Prior U.S. Cls.: 22 and 39

United States Patent and Trademark Office

Reg. No. 3,490,283

Registered Aug. 19, 2008

TRADEMARK
PRINCIPAL REGISTER



GURU DENIM INC. (CALIFORNIA CORPORATION)
2263 EAST VERNON AVENUE
VERNON, CA 90058

FOR: PANTS, JEANS, SHORTS, OVERALLS, SHIRTS, T-SHIRTS, VESTS, SKIRTS, JACKETS, SWEATSHIRTS, SWEATPANTS, DRESSES, HOODED SWEATSHIRTS, TOPS, BLOUSES AND FOOTWEAR, IN CLASS 25 (U.S. CLS. 22 AND 39).

FIRST USE 12-0-2002; IN COMMERCE 12-0-2002.

OWNER OF U.S. REG. NOS. 2,761,793 AND 2,917,187.

NO CLAIM IS MADE TO THE EXCLUSIVE RIGHT TO USE "BRAND JEANS", APART FROM THE MARK AS SHOWN.

THE COLOR(S) RED AND BLUE IS/ARE CLAIMED AS A FEATURE OF THE MARK.

THE MARK CONSISTS OF THE WORDS "TRUE RELIGION BRAND JEANS" AND THE DESIGN SHOWN IN THE ATTACHED DRAWING. THE COLOR RED APPEARS IN THE HORSESHOE DESIGN AND THE WORD "TRUE RELIGION" AND THE COLOR BLUE APPEARS IN THE WORDS "BRAND JEANS".

SN 78-685,079, FILED 8-3-2005.

BONNIE LUKEN, EXAMINING ATTORNEY

Int. Cl.: 25

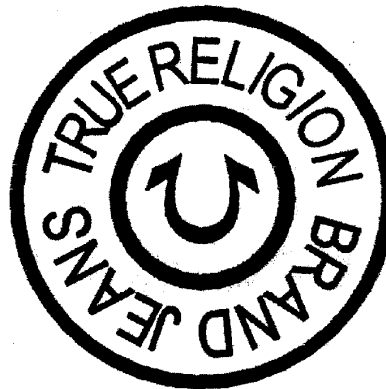
Prior U.S. Cls.: 22 and 39

United States Patent and Trademark Office

Reg. No. 3,282,490

Registered Aug. 21, 2007

TRADEMARK
PRINCIPAL REGISTER



GURU DENIM INC. (CALIFORNIA CORPORATION)

2263 EAST VERNON AVENUE
VERNON, CA 90058

FOR: PANTS, JEANS, SHORTS, OVERALLS, SHIRTS, T-SHIRTS, VESTS, SKIRTS, JACKETS, SWEATSHIRTS, SWEATPANTS, IN CLASS 25 (U.S. CLS. 22 AND 39).

FIRST USE 12-0-2002; IN COMMERCE 12-0-2002.

OWNER OF U.S. REG. NOS. 2,761,793 AND 2,917,187.

NO CLAIM IS MADE TO THE EXCLUSIVE RIGHT TO USE "BRAND JEANS", APART FROM THE MARK AS SHOWN.

THE MARK CONSISTS OF THE WORDS TRUE RELIGION BRAND JEANS AND DESIGN.

SER. NO. 78-685,223, FILED 8-3-2005.

BONNIE LUKEN, EXAMINING ATTORNEY

Int. Cl.: 25

Prior U.S. Cls.: 22 and 39

United States Patent and Trademark Office

Reg. No. 3,120,797

Registered July 25, 2006

**TRADEMARK
PRINCIPAL REGISTER**

TRUE RELIGION BRAND JEANS

GURU DENIM, INC. (CALIFORNIA CORPORATION)
1525 RIO VISTA AVENUE
LOS ANGELES, CA 90023

OWNER OF U.S. REG. NOS. 2,761,793 AND
2,917,187.

FOR: CLOTHING, NAMELY, PANTS, JEANS,
JACKETS, SKIRTS, SHORTS, SWEATPANTS,
SWEATSHIRTS, AND VESTS, IN CLASS 25 (U.S.
CLS. 22 AND 39).

NO CLAIM IS MADE TO THE EXCLUSIVE
RIGHT TO USE "BRAND JEANS", APART FROM
THE MARK AS SHOWN.

FIRST USE 8-1-2002; IN COMMERCE 8-1-2002.

SER. NO. 78-769,345, FILED 12-8-2005.

THE MARK CONSISTS OF STANDARD CHAR-
ACTERS WITHOUT CLAIM TO ANY PARTICULAR
FONT, STYLE, SIZE, OR COLOR.

BONNIE LUKEN, EXAMINING ATTORNEY

Int. Cl.: 35

Prior U.S. Cls.: 100, 101 and 102

Reg. No. 3,120,798

United States Patent and Trademark Office

Registered July 25, 2006

**SERVICE MARK
PRINCIPAL REGISTER**

TRUE RELIGION BRAND JEANS

GURU DENIM, INC. (CALIFORNIA CORPORATION)
1525 RIO VISTA AVENUE
LOS ANGELES, CA 90023

OWNER OF U.S. REG. NOS. 2,761,793 AND
2,917,187.

FOR: ON-LINE RETAIL STORE SERVICES FEATURING CLOTHING; RETAIL STORE SERVICES FEATURING CLOTHING, IN CLASS 35 (U.S. CLS. 100, 101 AND 102).

NO CLAIM IS MADE TO THE EXCLUSIVE RIGHT TO USE "BRAND JEANS", APART FROM THE MARK AS SHOWN.

FIRST USE 4-26-2005; IN COMMERCE 4-26-2005.

SER. NO. 78-769,347, FILED 12-8-2005.

THE MARK CONSISTS OF STANDARD CHARACTERS WITHOUT CLAIM TO ANY PARTICULAR FONT, STYLE, SIZE, OR COLOR.

BONNIE LUKEN, EXAMINING ATTORNEY

Int. Cl.: 25

Prior U.S. Cls.: 22 and 39

United States Patent and Trademark Office

Reg. No. 3,162,614

Registered Oct. 24, 2006

**TRADEMARK
PRINCIPAL REGISTER**

TRUE RELIGION

GURU DENIM, INC. (CALIFORNIA CORPORATION)
1525 RIO VISTA AVENUE
LOS ANGELES, CA 90023

FOR: CLOTHING, NAMELY, PANTS, JEANS, JACKETS, SKIRTS, SHORTS, SWEATPANTS, SWEATSHIRTS, AND VESTS, IN CLASS 25 (U.S. CLS. 22 AND 39).

FIRST USE 8-1-2002; IN COMMERCE 8-1-2002.

THE MARK CONSISTS OF STANDARD CHARACTERS WITHOUT CLAIM TO ANY PARTICULAR FONT, STYLE, SIZE, OR COLOR.

OWNER OF U.S. REG. NOS. 2,761,793 AND 2,917,187.

SER. NO. 78-769,351, FILED 12-8-2005.

MICHAEL WEBSTER, EXAMINING ATTORNEY

Int. Cl.: 35

Prior U.S. Cls.: 100, 101 and 102

United States Patent and Trademark Office

Reg. No. 3,162,615

Registered Oct. 24, 2006

**SERVICE MARK
PRINCIPAL REGISTER**

TRUE RELIGION

GURU DENIM, INC. (CALIFORNIA CORPORATION)
1525 RIO VISTA AVENUE
LOS ANGELES, CA 90023

FOR: ON-LINE RETAIL STORE SERVICES FEATURING CLOTHING; RETAIL STORE SERVICES FEATURING CLOTHING, IN CLASS 35 (U.S. CLS. 100, 101 AND 102).

FIRST USE 4-26-2005; IN COMMERCE 4-26-2005.

THE MARK CONSISTS OF STANDARD CHARACTERS WITHOUT CLAIM TO ANY PARTICULAR FONT, STYLE, SIZE, OR COLOR.

OWNER OF U.S. REG. NOS. 2,761,793 AND 2,917,187.

SER. NO. 78-769,353, FILED 12-8-2005.

MICHAEL WEBSTER, EXAMINING ATTORNEY

United States of America

United States Patent and Trademark Office



Reg. No. 3,862,183

Registered Oct. 12, 2010

Int. Cls.: 24 and 25

TRADEMARK

PRINCIPAL REGISTER

GURU DENIM INC. (CALIFORNIA CORPORATION)
2263 E. VERNON AVENUE
LEGAL DEPARTMENT
VERNON, CA 90058

FOR: TOWELS, IN CLASS 24 (U.S. CLS. 42 AND 50).

FIRST USE 1-4-2010; IN COMMERCE 2-16-2010.

FOR: UNDERWEAR, IN CLASS 25 (U.S. CLS. 22 AND 39).

FIRST USE 5-1-2010; IN COMMERCE 5-1-2010.

OWNER OF U.S. REG. NO. 2,917,187.

THE MARK CONSISTS OF A BUDDHA-LIKE FIGURE CRADLING A GUITAR WITH HIS LEFT HAND AND WITH HIS RIGHT ARM OUTSTRETCHED WITH HIS THUMB POINTING UP.

SN 78-918,251, FILED 6-27-2006.

CHERYL CLAYTON, EXAMINING ATTORNEY



David J. Kappas

Director of the United States Patent and Trademark Office

United States of America

United States Patent and Trademark Office

TRUE RELIGION

Reg. No. 3,963,295

Registered May 17, 2011

Int. Cl.: 25

TRADEMARK

PRINCIPAL REGISTER

GURU DENIM INC. (CALIFORNIA CORPORATION)
LEGAL DEPARTMENT
2263 EAST VERNON AVENUE
VERNON, CA 90058

FOR: LOUNGEWEAR, APPAREL AND OUTERWEAR, NAMELY, BLAZERS, DUNGAREES, OVERALLS, SWEATERS, TROUSERS, IN CLASS 25 (U.S. CLS. 22 AND 39).

FIRST USE 7-1-2005; IN COMMERCE 9-1-2005.

THE MARK CONSISTS OF STANDARD CHARACTERS WITHOUT CLAIM TO ANY PARTICULAR FONT, STYLE, SIZE, OR COLOR.

OWNER OF U.S. REG. NOS. 2,761,793 AND 2,917,187.

SN 78-918,258, FILED 6-27-2006.

CHERYL CLAYTON, EXAMINING ATTORNEY



David J. Kyfos

Director of the United States Patent and Trademark Office

Int. Cl.: 25

Prior U.S. Cls.: 22 and 39

Reg. No. 3,607,799

United States Patent and Trademark Office

Registered Apr. 14, 2009

**TRADEMARK
PRINCIPAL REGISTER**



GURU DENIM INC. (CALIFORNIA CORPORATION)
LEGAL DEPARTMENT
2263 EAST VERNON AVENUE
VERNON, CA 90058

FIRST USE 10-1-2002; IN COMMERCE 10-1-2002.

OWNER OF U.S. REG. NO. 2,917,187.

FOR: BATHING SUITS, BATHING TRUNKS, BEACHWEAR, BIKINIS, BLOUSES, BOOTS, CAPS, COATS, DRESSES, FOOTWEAR, HATS, HEADWEAR, JACKETS, JEANS, NECKWEAR, PANTS, SANDALS, SCARVES, SHAWLS, SHIRTS, SHOES, SHORTS, SKIRTS, SNEAKERS, SWEAT PANTS, SWEATSHIRTS, SWIMWEAR, T-SHIRTS, TOPS, TANK TOPS, VESTS, IN CLASS 25 (U.S. CLS. 22 AND 39).

THE MARK CONSISTS OF A BUDDHA-LIKE FIGURE CRADLING A GUITAR WITH HIS LEFT HAND AND WITH HIS RIGHT ARM OUTSTRETCHED WITH HIS THUMB POINTING UP.

SN 78-980,963, FILED 6-27-2006.

CHERYL CLAYTON, EXAMINING ATTORNEY

Int. Cls.: 3, 18, and 25

Prior U.S. Cls.: 1, 2, 3, 4, 6, 22, 39, 41, 50, 51, and 52

United States Patent and Trademark Office

Reg. No. 3,628,973

Registered May 26, 2009

**TRADEMARK
PRINCIPAL REGISTER**

TRUE RELIGION

GURU DENIM INC. (CALIFORNIA CORPORATION)
2263 EAST VERNON AVENUE
VERNON, CA 90058

FOR: FRAGRANCES FOR PERSONAL USE, EAU DE TOILETTE, PERFUME, FACE AND BODY LOTIONS AND CREAMS, BODY AND BEAUTY CARE PREPARATIONS, NON-MEDICATED SKIN CARE PREPARATIONS, IN CLASS 3 (U.S. CLS. 1, 4, 6, 50, 51 AND 52).

FIRST USE 9-1-2008; IN COMMERCE 10-1-2008.

FOR: HANDBAGS, WALLETS AND PURSES; BAGS, NAMELY, TOTE BAGS, SHOULDER BAGS, CLUTCH BAGS, LEATHER GOODS, NAMELY, LUGGAGE BAGS AND TRAVEL BAGS; CASES, NAMELY, KEY CASES AND LEATHER KEY CHAINS, IN CLASS 18 (U.S. CLS. 1, 2, 3, 22 AND 41).

FIRST USE 8-1-2007; IN COMMERCE 3-1-2008.

FOR: BELTS, FOOTWEAR, SWIMWEAR, HATS, CAPS, APPAREL AND OUTERWEAR, NAMELY, BATHING SUITS, BATHING TRUNKS, BEACHWEAR, BIKINIS, BLOUSES, BOOTS, BOTTOMS, COATS, DRESSES, GLOVES, HEADWEAR, JACKETS, JEANS, NECKWEAR, PANTS, SANDALS, SCARVES, SHAWLS, SHIRTS, SHOES, SHORTS, SKIRTS, SNEAKERS, SWEAT PANTS, SWEATSHIRTS, T-SHIRTS, TOPS, TANK TOPS, VESTS, IN CLASS 25 (U.S. CLS. 22 AND 39).

FIRST USE 10-1-2002; IN COMMERCE 12-1-2002.

THE MARK CONSISTS OF STANDARD CHARACTERS WITHOUT CLAIM TO ANY PARTICULAR FONT, STYLE, SIZE, OR COLOR.

OWNER OF U.S. REG. NOS. 2,761,793 AND 2,917,187.

SN 78-981,010, FILED 6-27-2006.

CHERYL CLAYTON, EXAMINING ATTORNEY

United States of America

United States Patent and Trademark Office



Reg. No. 3,720,222 GURU DENIM INC. (CALIFORNIA CORPORATION)
Registered Dec. 1, 2009 LEGAL DEPARTMENT
2263 EAST VERNON AVENUE
VERNON, CA 90058

Int. Cls.: 3, 9, 18, and 25

**TRADEMARK
PRINCIPAL REGISTER**

FOR: FRAGRANCES FOR PERSONAL USE, EAU DE TOILETTE, FACE AND BODY LOTIONS AND CREAMS, BODY AND BEAUTY CARE PREPARATIONS, NON-MEDICATED SKIN CARE PREPARATIONS, IN CLASS 3 (U.S. CLS. 1, 4, 6, 50, 51 AND 52).

FIRST USE 12-1-2002; IN COMMERCE 9-1-2008.

FOR: EYEWEAR, NAMELY, EYEGASS FRAMES, LENSES AND CASES, AND SUNGLASSES, IN CLASS 9 (U.S. CLS. 21, 23, 26, 36 AND 38).

FIRST USE 12-1-2002; IN COMMERCE 7-1-2009.

FOR: HANDBAGS, WALLETS AND PURSES; BAGS, NAMELY, TOTE BAGS, SHOULDER BAGS, CLUTCH BAGS, CASES, NAMELY, KEY CASES AND LEATHER KEY CHAINS, IN CLASS 18 (U.S. CLS. 1, 2, 3, 22 AND 41).

FIRST USE 12-1-2002; IN COMMERCE 9-1-2007.

FOR: BELTS, HOSIERY, SOCKS, IN CLASS 25 (U.S. CLS. 22 AND 39).

FIRST USE 12-1-2002; IN COMMERCE 7-1-2009.

OWNER OF U.S. REG. NO. 2,917,187.

THE MARK CONSISTS OF A BUDDHA-LIKE FIGURE CRADLING A GUITAR WITH HIS LEFT HAND AND WITH HIS RIGHT ARM OUTSTRETCHED WITH HIS THUMB POINTING UP.

SN 78-981,254, FILED 6-27-2006.

CHERYL CLAYTON, EXAMINING ATTORNEY



David J. Kyros

Director of the United States Patent and Trademark Office

United States of America

United States Patent and Trademark Office

TRUE RELIGION

Reg. No. 3,884,465

Registered Nov. 30, 2010

Int. Cls.: 9 and 24

TRADEMARK

PRINCIPAL REGISTER

GURU DENIM INC. (CALIFORNIA CORPORATION)
LEGAL DEPARTMENT
2263 EAST VERNON AVENUE
VERNON, CA 90058

FOR: EYEWEAR, NAMELY, EYEGLASS FRAMES, CASES, AND SUNGLASSES, IN CLASS 9 (U.S. CLS. 21, 23, 26, 36 AND 38).

FIRST USE 7-1-2009; IN COMMERCE 7-1-2009.

FOR: TOWELS, IN CLASS 24 (U.S. CLS. 42 AND 50).

FIRST USE 1-4-2010; IN COMMERCE 2-16-2010.

THE MARK CONSISTS OF STANDARD CHARACTERS WITHOUT CLAIM TO ANY PARTICULAR FONT, STYLE, SIZE, OR COLOR.

OWNER OF U.S. REG. NOS. 2,761,793 AND 2,917,187.

SN 78-981,807, FILED 6-27-2006.

CHERYL CLAYTON, EXAMINING ATTORNEY



David J. Kyffers

Director of the United States Patent and Trademark Office

United States of America

United States Patent and Trademark Office

HIPPIE CHIC

Reg. No. 3,975,909

Registered June 7, 2011

Int. Cl.: 3

TRADEMARK

PRINCIPAL REGISTER

GURU DENIM, INC. (CALIFORNIA CORPORATION), DBA TRUE RELIGION BRAND JEANS,
2263 E. VERNON AVENUE
LEGAL DEPARTMENT
VERNON, CA 90058

FOR: BATH GELS; BODY CREAMS; BODY LOTIONS; BODY WASH; EAU DE PARFUM;
FRAGRANCES; PERFUME; SHOWER GELS, IN CLASS 3 (U.S. CLS. 1, 4, 6, 50, 51 AND 52).

FIRST USE 9-1-2010; IN COMMERCE 3-1-2011.

THE MARK CONSISTS OF STANDARD CHARACTERS WITHOUT CLAIM TO ANY PAR-
TICULAR FONT, STYLE, SIZE, OR COLOR.

SN 85-061,026, FILED 6-11-2010.

CHERYL CLAYTON, EXAMINING ATTORNEY



David J. Kyros

Director of the United States Patent and Trademark Office

United States of America

United States Patent and Trademark Office



Reg. No. 3,978,250

Registered June 14, 2011

Int. Cl.: 35

SERVICE MARK

PRINCIPAL REGISTER

GURU DENIM, INC. (CALIFORNIA CORPORATION), DBA TRUE RELIGION BRAND JEANS
LEGAL DEPARTMENT
2263 E. VERNON AVENUE
VERNON, CA 90058

FOR: ADVERTISING VIA ELECTRONIC MEDIA AND SPECIFICALLY THE INTERNET;
ON-LINE RETAIL STORE SERVICES FEATURING APPAREL, FOOTWEAR AND FASHION
ACCESSORIES; WHOLESALE AND RETAIL STORE SERVICES FEATURING APPAREL,
FOOTWEAR AND FASHION ACCESSORIES, IN CLASS 35 (U.S. CLS. 100, 101 AND 102).

FIRST USE 4-26-2005; IN COMMERCE 4-26-2005.

OWNER OF U.S. REG. NOS. 3,607,799, 3,720,222, AND 3,862,183.

THE MARK CONSISTS OF A MAN CRADLING A GUITAR WITH HIS LEFT HAND AND
WITH HIS RIGHT ARM OUTSTRETCHED WITH HIS THUMB POINTING UP.

SER. NO. 85-192,668, FILED 12-7-2010.

JOHN GARTNER, EXAMINING ATTORNEY



David J. Kyffers

Director of the United States Patent and Trademark Office

Int. Cl.: 25

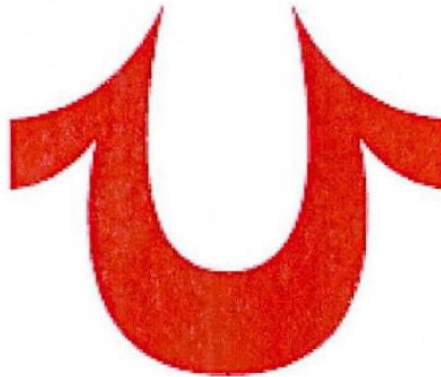
Prior U.S. Cls.: 22 and 39

United States Patent and Trademark Office

Reg. No. 3,397,067

Registered Mar. 18, 2008

**TRADEMARK
PRINCIPAL REGISTER**



GURU DENIM INC. (CALIFORNIA CORPORATION)
2263 EAST VERNON AVENUE
VERNON, CA 90058

FOR: PANTS, JEANS, SHORTS, OVERALLS, SHIRTS, T-SHIRTS, BLOUSES, VESTS, SKIRTS, JACKETS, COATS, SWEATSHIRTS, SWEATPANTS, IN CLASS 25 (U.S. CLS. 22 AND 39).

FIRST USE 12-0-2002; IN COMMERCE 12-0-2002.

OWNER OF U.S. REG. NO. 3,147,244.

THE COLOR(S) RED IS/ARE CLAIMED AS A FEATURE OF THE MARK.

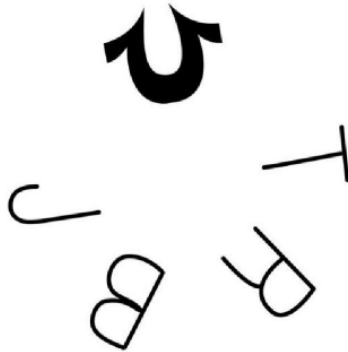
THE MARK CONSISTS OF A STYLIZED REPRESENTATION OF THE LETTER "U" IN THE COLOR RED.

SER. NO. 77-044,078, FILED 11-14-2006.

LESLIE RICHARDS, EXAMINING ATTORNEY

United States of America

United States Patent and Trademark Office



Reg. No. 3,692,039 GURU DENIM, INC. (CALIFORNIA CORPORATION), DBA TRUE RELIGION BRAND JEANS
Registered Oct. 6, 2009 LEGAL DEPARTMENT
2263 E. VERNON AVENUE
VERNON, CA 90058

Int. Cl.: 25

FOR: BOTTOMS; COATS; JACKETS; JEANS; PANTS; SHIRTS; SHORTS; SKIRTS; SWEAT PANTS; SWEAT SHIRTS; TOPS; VESTS, IN CLASS 25 (U.S. CLS. 22 AND 39).

**TRADEMARK
PRINCIPAL REGISTER**

FIRST USE 9-26-2002; IN COMMERCE 12-1-2002.

OWNER OF U.S. REG. NO. 3,482,001.

THE MARK CONSISTS OF THE CAPITAL LETTERS "TRBJ" ARRANGED IN A CIRCULAR FORMATION ALONG WITH A STYLIZED "U" DESIGN.

SER. NO. 77-692,179, FILED 3-16-2009.

HEATHER SAPP, EXAMINING ATTORNEY



David J. Kyros

Director of the United States Patent and Trademark Office

Int. Cl.: 25

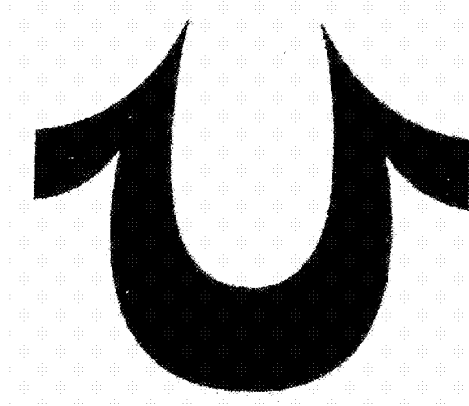
Prior U.S. Cls.: 22 and 39

United States Patent and Trademark Office

Reg. No. 3,482,001

Registered Aug. 5, 2008

**TRADEMARK
PRINCIPAL REGISTER**



GURU DENIM INC. (CALIFORNIA CORPORATION)
2263 EAST VERNON AVENUE
VERNON, CA 90058

FOR: CLOTHING, NAMELY, MEN'S, WOMEN'S, AND CHILDREN'S PANTS, JEANS, SHORTS, OVERALLS, SHIRTS, T-SHIRTS, BLOUSES, VESTS, SKIRTS, JACKETS, COATS, SWEATERS, SWEATSHIRTS, SWEATPANTS, HATS, BELTS AND SHOES, IN CLASS 25 (U.S. CLS. 22 AND 39).

FIRST USE 9-1-2002; IN COMMERCE 9-1-2002.

OWNER OF U.S. REG. NO. 3,147,224.

THE MARK CONSISTS OF A STYLIZED REPRESENTATION OF THE LETTER "U".

SN 78-168,317, FILED 9-26-2002.

CYNTHIA SLOAN, EXAMINING ATTORNEY

Int. Cl.: 25

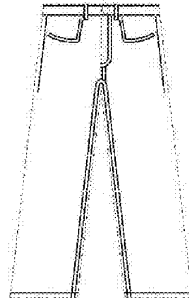
Prior U.S. Cls.: 22 and 39

United States Patent and Trademark Office

Reg. No. 3,219,110

Registered Mar. 13, 2007

**TRADEMARK
SUPPLEMENTAL REGISTER**



TRUE RELIGION APPAREL, INC. (NEVADA CORPORATION)
1525 RIO VISTA AVENUE
LOS ANGELES, CA 90023

FOR: CLOTHING, NAMELY, PANTS, IN CLASS 25 (U.S. CLS. 22 AND 39).

FIRST USE 1-12-2005; IN COMMERCE 1-12-2005.

THE MARK CONSISTS OF AN OVERALL STITCHING PATTERN AFFIXED TO THE FRONT

SIDE OF A PANT CONSISTING OF A ONE HALF INCH STITCHING PATTERN THAT INCLUDES THE WAIST BAND, BELT LOOPS, POCKETS, FLY, HIP AND INSEAM PORTION OF THE FRONT OF THE JEANS, ALONG WITH THE BOTTOM PORTION OF THE LEGS.

SER. NO. 78-769,338, FILED P.R. 12-8-2005; AM. S.R. 12-13-2006.

TARAH HARDY, EXAMINING ATTORNEY