



UNITED STATES DEPARTMENT OF COMMERCE
Patent and Trademark Office
 Address: COMMISSIONER OF PATENTS AND TRADEMARKS
 Washington, D.C. 20231

APPLICATION NUMBER	FILING/RECEIPT DATE	FIRST NAMED APPLICANT	ATTORNEY DOCKET NO./TITLE
--------------------	---------------------	-----------------------	---------------------------

02/12/2001 04/07/2001 *Small Value Payments Company* 2000-005

02/02/0114

NOT ASSIGNED

PERKIE & BORDONE
 1637 K STREET NW
 WASHINGTON DC 20005

DATE MAILED: 0643

01/14/98

NOTICE TO FILE MISSING PARTS OF APPLICATION
Filing Date Granted

An Application Number and Filing Date have been assigned to this application. However, the items indicated below are missing. The required items and fees identified below must be timely submitted ALONG WITH THE PAYMENT OF A SURCHARGE for items 1 and 3-6 only of \$ 150 for large entity small entity in compliance with 37 CFR 1.27. The surcharge is set forth in 37 CFR 1.16(e). Applicant is given TWO MONTHS FROM THE DATE OF THIS NOTICE within which to file all required items and pay any fees required above to avoid abandonment. Extensions of time may be obtained by filing a petition accompanied by the extension fee under the provisions of 37 CFR 1.136(a).

If all required items on this form are filed within the period set above, the total amount owed by applicant as a large entity small entity (verified statement filed), is \$ 1662.

The statutory basic filing fee is:

missing. insufficient. Applicant must submit \$ 790 to complete the basic filing fee and/or file a verified small entity statement claiming such status (37 CFR 1.27).

2. Additional claim fees of \$ 742 including any multiple dependent claim fees, are required. Applicant must either submit the additional claim fees or cancel additional claims for which fees are due.

3. The oath or declaration:

- is missing.
- does not cover the newly submitted items.
- does not identify the application to which it applies.
- does not include the city and state or foreign country of applicant's residence.

An oath or declaration in compliance with 37 CFR 1.63, including residence information and identifying the application by the above Application Number and Filing Date is required.

4. The signature(s) to the oath or declaration is/are:

- missing.
- by a person other than inventor or person qualified under 37 CFR 1.42, 1.43, or 1.47.

A properly signed oath or declaration in compliance with 37 CFR 1.63, identifying the application by the above Application Number and Filing Date, is required.

5. The signature of the following joint inventor(s) is missing from the oath or declaration:
 An oath or declaration listing the names of all inventors and signed by the omitted inventor(s), identifying this application by the above Application Number and Filing Date, is required.

6. A \$ _____ processing fee is required since your check was returned without payment (37 CFR 1.211(m)).

7. Your filing receipt was mailed in error because your check was returned without payment.

8. The application does not comply with the Sequence Rules. See attached "Notice to Comply with Sequence Rules 37 CFR 1.821-1.825."

9. OTHER:

A copy of this notice MUST be returned with the response.

Beatty
 Customer Service Center
 Initial Patent Examination Division (703) 308-1202



**DECLARATION
AND POWER OF ATTORNEY**

As a below named inventor, I hereby declare that:

My residence, post office address and citizenship are as stated below at 201 et seq. underneath my name.

I believe I am the original, first and sole inventor if only one name is listed at 201 below, or an original, first and joint inventor if plural names are listed at 201 et seq. below, of the subject matter which is claimed and for which a patent is sought on the invention entitled

REMOTE IMAGE CAPTURE WITH CENTRALIZED PROCESSING AND STORAGE

and for which a patent application:

was filed in the United States on August 27, 1997

I hereby state that I have reviewed and understand the contents of the above identified application, including the claims, as amended by any amendment referred to above.

I acknowledge the duty to disclose information known to me to be material to patentability as defined in Title 37, Code of Federal Regulations, §1.56.

I hereby claim foreign priority benefits under Title 35, United States Code, §119(a)-(d) of any foreign application(s) for patent or inventor's certificate listed below and have also identified below any foreign application for patent or inventor's certificate having a filing date before that of the application on which priority is claimed:

EARLIEST FOREIGN APPLICATION(S), IF ANY, FILED PRIOR TO THE FILING DATE OF THE APPLICATION			
APPLICATION NUMBER	COUNTRY	DATE OF FILING (day, month, year)	PRIORITY CLAIMED YES <input type="checkbox"/> NO <input type="checkbox"/> YES <input type="checkbox"/> NO <input type="checkbox"/>

I hereby claim the benefit under Title 35, United States Code, §119(e) of any United States provisional application(s) listed below.

APPLICATION NUMBER	FILING DATE

I hereby claim the benefit under Title 35, United States Code, §120 of any United States application(s) listed below and, insofar as the subject matter of each of the claims of this application is not disclosed in the prior United States application in the manner provided by the first paragraph of Title 35, United States Code §112, I acknowledge the duty to disclose information which is material to patentability as defined in Title 37, Code of Federal Regulations, §1.56 which became available between the filing date of the prior application and the national or PCT international filing date of this application:

APPLICATION SERIAL NO.	FILING DATE	STATUS		
		PATENTED	PENDING	ABANDONED

POWER OF ATTORNEY: As a named inventor, I hereby appoint S. Leslie Mironik (Reg. No. 18872), Harry C. Jones, III (Reg. No. 20280), Berg A. Terzian (Reg. No. 20060), Gerald J. Flinnoff (Reg. No. 20823), David Weid, III (Reg. No. 21094), Jonathan A. Marshall (Reg. No. 24614), Barry D. Reih (Reg. No. 22411), Stanton T. Lawrence, III (Reg. No. 23736), Isaac Jankovsky (Reg. No. 22713), Joseph V. Colmann (Reg. No. 20019), Charles E. McKenney (Reg. No. 22793), Philip T. Shannon (Reg. No. 24273), Francis E. Morris (Reg. No. 24615), Charles E. Miller (Reg. No. 24570), Gordon D. Stern (Reg. No. 27469), John J. Lauter, Jr. (Reg. No. 27814), Brian M. Peasant (Reg. No. 28462), Brian D. Coggin (Reg. No. 27624), Rory J. Radding (Reg. No. 28749), Stephen J. Herbulek (Reg. No. 29166), Donald J. Goodell (Reg. No. 19766), James N. Palko (Reg. No. 25510), Thomas E. Fitchel (Reg. No. 29258), Laura A. Coruzzi (Reg. No. 30742), Jennifer Gordon (Reg. No. 30753), Jon R. Stark (Reg. No. 30111), Allen A. Fannuci (Reg. No. 30256), Geraldine F. Baldwin (Reg. No. 31232), Victor N. Balaneta (Reg. No. 31231), Samuel B. Abrams (Reg. No. 30685), Steven J. Walsh (Reg. No. 35402), Marisa H. Sundeen (Reg. No. 30893), Paul J. Zeigler (Reg. No. 33821), Edmund R. Bunton (Reg. No. 32110), Bruce J. Barker (Reg. No. 33291), Adriane M. Auiler (Reg. No. 32605), Ann L. Ghioff (Reg. No. 31956), Sarah Lynn Minkel (Reg. No. 31853), Mark A. Farley (Reg. No. 33170), and James G. Markey (Reg. No. 31639), all of Pennie & Edwards LLP, whose addresses are 1155 Avenue of the Americas, New York, New York 10036, 1667 K Street N.W., Washington, DC 20006 and 3380 Hillview Avenue, Palo Alto, CA 94304, and each of them, my attorneys, to prosecute this application, and to transact all business in the Patent and Trademark Office connected therewith.

SEND CORRESPONDENCE TO: PENNIE & EDMONDS LLP
 1667 K STREET, N.W.
 WASHINGTON, D.C. 20006
 DIRECT TELEPHONE CALLS TO:
 PENNIE & EDMONDS LLP DOCKETING
 (202) 496-4400

		LAST NAME	FIRST NAME	MIDDLE NAME		
2	FULL NAME OF INVENTOR	BALLARD	Claudio	R.		
0	RESIDENCE & CITIZENSHIP	CITY	STATE OR FOREIGN COUNTRY	United States		
1	POST OFFICE ADDRESS	STREET	CITY	STATE OR COUNTRY	ZIP CODE	
		16 West Neck Court	Lloyd Harbor	New York	11743	
2	FULL NAME OF INVENTOR	LAST NAME	FIRST NAME	MIDDLE NAME		
0	RESIDENCE & CITIZENSHIP	CITY	STATE OR FOREIGN COUNTRY			
2	POST OFFICE ADDRESS	STREET	CITY	STATE OR COUNTRY	ZIP CODE	
2	FULL NAME OF INVENTOR	LAST NAME	FIRST NAME	MIDDLE NAME		
0	RESIDENCE & CITIZENSHIP	CITY	STATE OR FOREIGN COUNTRY			
3	POST OFFICE ADDRESS	STREET	CITY	STATE OR COUNTRY	ZIP CODE	
2	FULL NAME OF INVENTOR	LAST NAME	FIRST NAME	MIDDLE NAME		
0	RESIDENCE & CITIZENSHIP	CITY	STATE OR FOREIGN COUNTRY			
4	POST OFFICE ADDRESS	STREET	CITY	STATE OR COUNTRY	ZIP CODE	
2	FULL NAME OF INVENTOR	LAST NAME	FIRST NAME	MIDDLE NAME		
0	RESIDENCE & CITIZENSHIP	CITY	STATE OR FOREIGN COUNTRY			
5	POST OFFICE ADDRESS	STREET	CITY	STATE OR COUNTRY	ZIP CODE	
2	FULL NAME OF INVENTOR	LAST NAME	FIRST NAME	MIDDLE NAME		
0	RESIDENCE & CITIZENSHIP	CITY	STATE OR FOREIGN COUNTRY			
6	POST OFFICE ADDRESS	STREET	CITY	STATE OR COUNTRY	ZIP CODE	

I hereby declare that all statements made herein of my own knowledge are true and that all statements made on information and belief are believed to be true; and further that these statements were made with the knowledge that willful false statements and the like so made are punishable by fine or imprisonment, or both, under Section 1001 of Title 18 of the United States Code and that such willful false statements may jeopardize the validity of the application or any patent issuing thereon.

SIGNATURE OF INVENTOR	DATE	SIGNATURE OF INVENTOR	DATE	SIGNATURE OF INVENTOR	DATE
<i>Cludio R Ballard</i>	8/27/97				
SIGNATURE OF INVENTOR	DATE	SIGNATURE OF INVENTOR	DATE	SIGNATURE OF INVENTOR	DATE

MAR 03 1998



UNITED STA. DEPARTMENT OF COMMERCE
Patent and Trademark Office
Address: COMMISSIONER OF PATENTS AND TRADEMARKS
Washington, D.C. 20231

APPLICATION NUMBER: 08/917,761 FILING/RECEIPT DATE: 03/03/98 FIRST NAMED APPLICANT: BALLARD, JIF ATTORNEY DOCKET NO./TITLE: 2009 005

RENDELLE S. ALPHEUS
1667 K STREET NW
WASHINGTON DC 20005

0892/0114

NOT ASSIGNED

DATE MAILED: 3/3/98

01/14/98

NOTICE TO FILE MISSING PARTS OF APPLICATION
Filing Date Granted

An Application Number and Filing Date have been assigned to this application. However, the items indicated below are missing. The required items and fees identified below must be timely submitted ALONG WITH THE PAYMENT OF A SURCHARGE for Items 1 and 3-6 only of \$ 130 for large entity small entity in compliance with 37 CFR 1.27. The surcharge is set forth in 37 CFR 1.16(e). Applicant is given TWO MONTHS FROM THE DATE OF THIS NOTICE within which to file all required items and pay any fees required above to avoid abandonment. Extensions of time may be obtained by filing a petition accompanied by the extension fee under the provisions of 37 CFR 1.136(a).

If all required items on this form are filed within the period set above, the total amount owed by applicant as a

large entity small entity (verified statement filed), is \$ 1662.

The statutory basic filing fee is:

missing.

insufficient.

Applicant must submit \$ 790 to complete the basic filing fee and/or file a verified small entity statement claiming such status (37 CFR 1.27).

Additional claim fees of \$ 242, including any multiple dependent claim fees, are required. Applicant must either submit the additional claim fees or cancel additional claims for which fees are due.

The oath or declaration:

is missing.

does not cover the newly submitted items.

does not identify the application to which it applies.

does not include the city and state or foreign country of applicant's residence.

An oath or declaration in compliance with 37 CFR 1.63, including residence information and identifying the application by the above Application Number and Filing Date is required.

The signature(s) to the oath or declaration is/are:

missing.

by a person other than inventor or person qualified under 37 CFR 1.42, 1.43, or 1.47.

A properly signed oath or declaration in compliance with 37 CFR 1.63, identifying the application by the above Application Number and Filing Date, is required.

The signature of the following joint inventor(s) is missing from the oath or declaration:

An oath or declaration listing the names of all inventors and signed by the omitted inventor(s), identifying this application by the above Application Number and Filing Date, is required.

6. A \$ _____ processing fee is required since your check was returned without payment (37 CFR 1.21(m)).

7. Your filing receipt was mailed in error because your check was returned without payment.

8. The application does not comply with the Sequence Rules.

See attached "Notice to Comply with Sequence Rules 37 CFR 1.821-1.825."

9. OTHER:

Direct the response and any questions about this notice to "Attention: Box Missing Parts."

A copy of this notice MUST be returned with the response.

Renelle S. Alpheus
Customer Service Center
Initial Patent Examination Division (703) 308-1202

IN THE UNITED STATES PATENT AND TRADEMARK OFFICE



In re: Application of:

Group Art Unit: Unassigned

Claudio R. BALLARD

Filed: August 27, 1997

Examiner: Unassigned

For: **REMOTE IMAGE CAPTURE WITH
CENTRALIZED PROCESSING AND
STORAGE**

Attorney Docket No.: 2269-003

VERIFIED STATEMENT (DECLARATION) CLAIMING SMALL ENTITY STATUS
[37 CFR 1.9(f) and 1.27(b)] - Independent Inventor

Assistant Commissioner for Patents
Washington, D. C. 20231

Sir:

As a below named inventor, I hereby declare that I qualify as an independent inventor as defined in 37 CFR 1.9(c) for purposes of paying reduced fees under section 41(a) and (b) of Title 35, United States Code, to the Patent and Trademark Office with regard to the invention entitled **REMOVE IMAGE CAPTURE WITH CENTRALIZED PROCESSING AND STORAGE** described in

the specification filed herewith

I have not assigned, granted, conveyed or licensed and am under no obligation under contract or law to assign, grant, convey or license, any rights in the invention to any person who could not be classified as an independent inventor under 37 CFR 1.9(c) if that person had made the invention, or to any concern which would not qualify as a small business concern under 37 CFR 1.9(d) or a nonprofit organization under 37 CFR 1.9(e).

Each person, concern or organization to which I have assigned, granted, conveyed, or licensed or am under an obligation under contract or law to assign, grant, convey, or license any rights in the invention is listed below:

- no such person, concern, or organization
 persons, concerns or organizations listed below*

*NOTE: Separate verified statements are required from each named person, concern, or organization having rights to the invention averring to their status as small entities.
(37 CFR 1.27)

FULL NAME CSP Holdings, LLC

ADDRESS 16 West Neck Court
Lloyd Harbor, New York 11743

INDIVIDUAL SMALL BUSINESS CONCERN NONPROFIT ORGANIZATION

FULL NAME _____
ADDRESS _____

INDIVIDUAL SMALL BUSINESS CONCERN NONPROFIT ORGANIZATION

FULL NAME _____
ADDRESS _____

INDIVIDUAL SMALL BUSINESS CONCERN NONPROFIT ORGANIZATION

FULL NAME _____
ADDRESS _____

INDIVIDUAL SMALL BUSINESS CONCERN NONPROFIT ORGANIZATION

I acknowledge the duty to file, in this application or patent, notification of any change in status resulting in loss of entitlement to small entity status prior to paying, or at the time of paying, the earliest of the issue fee or any maintenance fee due after the date on which status as a small entity is no longer appropriate. [37 CFR 1.28 (b)]

I hereby declare that all statements made herein of my own knowledge are true and that all statements made on information and belief are believed to be true; and further that these statements were made with the knowledge that willful false statements and the like so made are punishable by fine or imprisonment, or both, under Section 1001 of Title 18 of the United States Code, and that such willful false statements may jeopardize the validity of the application, and patent issuing thereon, or any patent to which this verified statement is directed.

Send correspondence to: PENNIE & EDMONDS LLP Direct Telephone calls to:
1667 K Street, N.W. PENNIE & EDMONDS LLP
Washington, D.C. 20006 (202) 496-4400

NAME OF INVENTOR	NAME OF INVENTOR	NAME OF INVENTOR
Claudio R. Ballard		
SIGNATURE OF INVENTOR <i>Claudio R. Ballard</i>	SIGNATURE OF INVENTOR	SIGNATURE OF INVENTOR
DATE 8/27/97	DATE	DATE
NAME OF INVENTOR	NAME OF INVENTOR	NAME OF INVENTOR
SIGNATURE OF INVENTOR	SIGNATURE OF INVENTOR	SIGNATURE OF INVENTOR
DATE	DATE	DATE

COPY



IN THE UNITED STATES PATENT AND TRADEMARK OFFICE

In re Application of:

C. BALLARD

Application No.: 08/917,761

Group Art Unit: 3642

Filed: August 27, 1997

Examiner:

For: REMOTE IMAGE CAPTURE WITH
CENTRALIZED PROCESSING AND
STORAGE

Attorney Docket No.:
2269-003

**RESPONSE TO NOTICE TO FILE MISSING PARTS OF
APPLICATION, FILING DATE GRANTED and
SUBMISSION OF VERIFIED STATEMENT CLAIMING SMALL ENTITY STATUS**

BOX MISSING PARTS

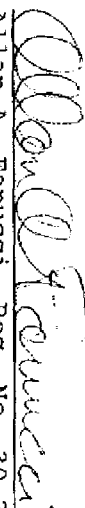
Assistant Commissioner for Patents
Washington, D.C. 20231

Sir:

In response to the Notice to File Missing Parts dated January 14, 1998, enclosed is the Declaration and Power of Attorney signed by the inventor Claudio R. BALLARD and Form PTO-1533. Also enclosed is the Verified Statement Claiming Small Entity Status which has been signed by the inventor.

It is believed that a fee of \$831.00 is due for this submission (\$766.00 filing fee for small entity and \$65.00 surcharge). Please charge the required fee to Pennie & Edmonds LLP Deposit Account No. 16-1150. A copy of this sheet is enclosed.

Respectfully submitted,


Allan A. Fanucci, Reg. No. 30,256

PENNIE & EDMONDS LLP
1667 K Street, N.W.
Washington, D.C. 20006

(202) 496-4400

03/17/1998 TULLIUM OPERATIONS INC. 08511761
01 FC:201 Date: 08/29/97
02 FC:202 41.00 CH
03 FC:203 330.00 CH
04 FC:205 85.00 CH



0360
#5
PATENT

IN THE UNITED STATES PATENT AND TRADEMARK OFFICE

Applicants : Karen Gross et al.

Application No. : 08/925,447

Filed : September 8, 1997

For : SINGLE TELEPHONE NUMBER ACCESS TO MULTIPLE COMMUNICATIONS

Docket No. : CDR-096-013

Date : February 2, 1998

Assistant Commissioner for Patents
 2011 Jefferson Davis Highway
 Washington, DC 20231

GENERAL AUTHORIZATION UNDER 37 C.F.R. § 1.136(a)(3)

Sir:

With respect to the above-identified application, the Assistant Commissioner is authorized to treat any concurrent or future reply requiring a petition for an extension of time under 37 C.F.R. § 1.136(a)(3) for its timely submission as incorporating a petition therefor for the appropriate length of time. The Assistant Commissioner is also authorized to charge any fees which may be required, or credit any overpayment, to Deposit Account No. 19-1090.

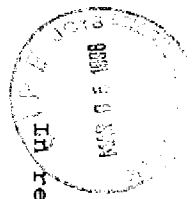
Respectfully submitted,
 Karen Gross et al.
 SEED and BERRY LLP

Christopher J. Daley-Watson
 Registration No. 34,807

CJD:kh

SEED and BERRY LLP
 6300 Columbia Center
 701 Fifth Avenue
 Seattle, Washington 98104-7092
 (206) 622-4900
 FAX: (206) 682-6031

UNChtrSD:5836



IN THE UNITED STATES PATENT AND TRADEMARK OFFICE

the Application of:

C. BALLARD

Application No.: 08/917761

Group Art Unit: 3642

Filed: August 27, 1997

Examiner: Unassigned

For: REMOTE IMAGE CAPTURE WITH
CENTRALIZED PROCESSING AND
STORAGE

Attorney Docket No.:
2269-003

#6/EDS.
CO/ATI
7-23-
5-4-98

INFORMATION DISCLOSURE STATEMENT UNDER
37 C.F.R. § 1.97 AND 1.98

Assistant Commissioner for Patents
Washington, D.C. 20231

Sir:

Pursuant to Applicant's duty of disclosure under 37 C.F.R. § 1.97 and 1.98, enclosed is a list of 22 references on Form PTO-1449 entitled "List of References Cited by Applicant". The references are listed in reverse chronological order, copies of which are enclosed for the Examiner's convenience.

It is respectfully requested that these references be made of record in this application by the Examiner's completion and return of the Form PTO-1449.

No fee is believed to be due for this submission, since it is being made prior to issuance of a first Office Action on the merits of the application identified above. Should any fee be required, however, please charge such fee to Pennie & Edmonds LLP Deposit Account No. 16-1150.

Respectfully submitted,

Date

3-5-98


Allan A. Fannuci, Reg. No. 30,256

PENNIE & EDMONDS LLP
1667 K Street, N.W., Suite 1000
Washington, DC 20006

(202) 496-4400

Enclosures

PBDC-10592.1

DTC000107

D 066810

LIST OF REFERENCES CITED BY APPLICANT

(Use several sheets if necessary)

8901 5 0 (23)

ATTY. DOCKET NO. 2269-003	APPLICATION NO. 08/917,761
APPLICANT C. BALLARD	
FILED DATE August 27, 1997	GROUP sect 2746

U.S. PATENT DOCUMENTS

EXAMINER INITIAL	DOCUMENT NUMBER	DATE	NAME	CLASS	SUBCLASS	FILED DATE IF APPROPRIATE
ME	AA 5,657,396	08/1997	Rudolph et al.	382	190	
ME	AB 5,657,389	08/1997	Houvenier	380	23	
ME	AC 5,647,017	07/1997	Smithies et al.	382	119	
ME	AD 5,613,001	03/1997	Bakhoun	380	4	
ME	AE 5,604,640	02/1997	Zopf et al.	359	803	
ME	AF 5,602,933	02/1997	Blackwell et al.	382	116	
ME	AG 5,590,038	12/1996	Pitroda	395	241	
ME	AH 5,479,510	12/1995	Olsen et al.	380	24	
ME	AI 5,457,747	10/1995	Drexler et al.	380	24	
ME	AJ 5,436,970	07/1995	Ray et al.	380	23	
ME	AK 5,434,928	07/1995	Wagner et al.	382	187	
ME	AL 5,321,751	06/1994	Ray et al.	380	23	
ME	AM 5,283,829	02/1994	Anderson	380	24	
ME	AN 5,220,501	06/1993	Lawlor et al.	364	408	
ME	AO 5,173,594	12/1992	McCure	235	380	
ME	AP 5,144,115	09/1992	Yoshida	235	379	
ME	AQ 5,122,950	06/1992	Benton et al.	364	408	
ME	AR 4,960,981	10/1990	Benton et al.	235	379	
ME	AS 4,926,325	05/1990	Benton et al.	364	408	
ME	AT 4,843,220	06/1989	Haun	235	380	
ME	AU 4,750,201	06/1988	Hodgson et al.	379	144	
ME	AV 4,694,147	09/1987	Ameniya et al.	235	379	

FOREIGN PATENT DOCUMENTS

AW	DOCUMENT NUMBER	DATE	COUNTRY	CLASS	SUBCLASS	TRANSLATION
						YES NO

OTHER REFERENCES (Including Author, Title, Date, Pertinent Pages, Etc.)

EXAMINER S. *Carpia/051* DATE CONSIDERED 12/98

*EXAMINER: Initial if reference considered, whether or not citation is in conformance with MPEP 609. Draw line through citation if not in conformance and not considered. Include copy of this form with next communication to applicant.

COIPE
78 MAY 20 1998
U.S. TRADEMARK

RECEIVED
TECHNOLOGY CENTER 3600
98 MAY 26 PM 5:39E

Topical
Print.
Small Entity
Copy
5-29-98

In re Application of:
C. BALLARD
Application No.: 08/917,761
Filed: August 27, 1997
For: REMOTE IMAGE CAPTURE WITH
CENTRALIZED PROCESSING AND
STORAGE

Group Art Unit: 3642
Examiner:
Attorney Docket No.:
2269-003

SUBMISSION OF VERIFIED STATEMENT CLAIMING SMALL ENTITY STATUS

Assistant Commissioner for Patents
Washington, D.C. 20231

Sir:

Further to applicant's Response to Notice to File
Missing Parts of Application, enclosed is a Verified Statement
Claiming Small Entity Status which has been signed by the
assignee to complete the file of this application.

Respectfully submitted,

Allan A. Fanucci
Date 5/20/98
Allan A. Fanucci, Reg. No. 30,256

PENNIE & EDMONDS LLP
1667 K Street, N.W.
Washington, D.C. 20006
(202) 496-4400

IN THE UNITED STATES PATENT AND TRADEMARK OFFICE

In re Application of:

Claudio R. BALLARD

Application No.: 08/917,761

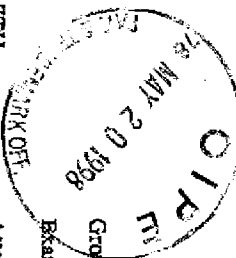
Group Art Unit: 3642

Filed: August 27, 1997

Examiner:

For: REMOTE IMAGE CAPTURE WITH
CENTRALIZED PROCESSING AND
STORAGE

Attorney Docket No.:
2269-003



VERIFIED STATEMENT (DECLARATION) CLAIMING SMALL ENTITY STATUS

[37 CFR 1.9(f) and 1.27(c)] - Small Business Concern

Assistant Commissioner for Patents
Washington, D.C. 20231

Sir:

I hereby declare that I am an official of the small business concern empowered to act in behalf of the concern identified below:

CSP Holdings, LLC
16 West Neck Court
Lloyd Harbor, New York 11743

I hereby declare that the above identified small business concern qualifies as a small business concern as defined in 37 CFR 1.9(d), for purposes of paying reduced fees under section 41(a) and (b) of Title 35, United States Code, in that the number of employees of the concern, including those of its affiliates, does not exceed 500 persons. For purposes of this statement, (1) the number of employees of the business concern is the average over the previous fiscal year of the concern of the person employed on a full-time, part-time or temporary basis during each of the pay periods of the fiscal year, and (2) concerns are affiliates of each other when either, directly or indirectly, one concern controls or has the power to control the other, or a third party or parties controls or has the power to control both.

I hereby declare that rights under contract or law have been conveyed to and remain with the small business concern and/or there is an obligation under contract or law by the inventor(s) to convey rights to the small business concern with regard to the invention, entitled REMOTE IMAGE CAPTURE WITH CENTRALIZED PROCESSING AND STORAGE by Claudio R. BALLARD described in Application No. 08/917,761 filed August 27, 1997.

If the rights held by the above identified small business concern are not exclusive, each individual, concern or organization having rights to the invention is listed below and no rights to the invention are held by any person, other than the inventor, who could not qualify as an independent inventor under 37 CFR 1.9(c) if that person made the invention, or by any concern which would not qualify as a small business concern under 37 CFR 1.9(d), or a nonprofit organization under 37 CFR 1.9(e).

FULL NAME:
ADDRESS:

INDIVIDUAL SMALL BUSINESS CONCERN NONPROFIT ORGANIZATION

PTDC-12291.1

B-2-P

SDNQKCE & JINNEB WZSC:EE 96, 81 AM

DTC000110

D 066813

I acknowledge the duty to file, in this application or patent, notification of any change in status resulting in loss of entitlement to small entity status prior to paying, or at the time of paying, the earliest of the issue fee or any maintenance fee due after the date on which status as a small entity is no longer appropriate. [37 CFR 1.28 (b)]

I hereby declare that all statements made herein of my own knowledge are true and that all statements made on information and belief are believed to be true; and further that these statements were made with the knowledge that willful false statements and the like so made are punishable by fine or imprisonment, or both, under Section 1001 of Title 18 of the United States Code, and that such willful false statements may jeopardize the validity of the application, and patent issuing thereon, or any patent to which this verified statement is directed.

Send correspondence to:

PENNIE & EDMONDS LLP
1667 K Street, N.W.
Washington, D.C. 20006

Direct telephone calls to:

PENNIE & EDMONDS LLP
(202) 496-4400

Name:

PRESIDENT

Title:

Address:

Signature:

Charles R. Ballard

Date: May 18, 1998

REC-12591.1

8/9'D

SNMONDS & SINNED W2E:00 85, 81 AYW

DTC000111

D 066814



THE UNITED STATES PATENT AND TRADEMARK OFFICE

#805
TDD
9/14/98

In re Application of:

Claudio R. BALLARD

Application No.: 08/917,761

Group Art Unit: 3642

Filed: August 27, 1997

Examiner:

For: REMOTE IMAGE CAPTURE WITH
CENTRALIZED PROCESSING AND
STORAGE

Attorney Docket No.:
2269-003

SUPPLEMENTAL INFORMATION DISCLOSURE STATEMENT

Assistant Commissioner for Patents
Washington, D.C. 20231

Sir:

Pursuant to applicant's duty of disclosure under 37 C.F.R. 1.56, enclosed are copies of 29 references for the Examiner's review and consideration. The references are listed on the enclosed Form PTO-1449. It is respectfully requested that the references be made of record in this application by the Examiner's completion and return of Form PTO-1449.

No fee or certification is believed to be due for this submission since the references are being submitted prior to a first Office Action being issued in the case. Should any fees be required, however, please charge such fees to Pennie & Edmonds LLP Deposit Account No. 16-1150.

Respectfully submitted,

Date

9/3/98

Allan A. Fanucci, Reg. No. 30,256

PENNIE & EDMONDS LLP
1667 K Street, N.W.
Washington, D.C. 20006

(202) 496-4400

RECEIVED
SEP 10 AM 7:23
GROUP 2700

PERC-132348.1

LIST OF REFERENCES CITED BY APPLICANT

(Use several sheets if necessary)

SEP 03 1998

PATENT & TRADEMARK OFFICE

ATTN: DOCKET NO. 2289-003 APPLICATION NO. 09/917,761
 APPLICANT: Claudio R. BALLARD
 FILING DATE: August 27, 1997 GROUP: 22746
 Patent # 22746

EXAMINER INITIAL	DISCUSSION NUMBER	DATE	NAME	CLASS	SUBCLASS	FILING DATE IF APPROPRIATE
me	AA 4,201,978	05/1980	Nally	340	146.3	
me	AB 4,264,808	04/1981	Owens et al.	235	379	
me	AC 4,326,258	04/1982	de la Guardia	364	515	
me	AD 4,417,136	11/1983	Rushby et al.	235	379	
me	AE 4,457,015	06/1984	Nally et al.	382	45	
me	AF 4,523,330	06/1985	Cain	382	75	
me	AG 4,555,617	11/1985	Brooks et al.	235	379	
me	AH 4,680,803	07/1987	Dilella	382	9	
me	AI 4,747,058	05/1988	Ho	364	478	
me	AJ 4,888,812	12/1989	Dinan et al.	382	7	
me	AK 5,091,968	02/1992	Higgins et al.	382	30	
me	AL 5,159,548	10/1992	Castlavka	364	408	
me	AM 5,175,682	12/1992	Higashiyama et al.	354	408	
me	AN 5,187,750	02/1993	Bahera	382	7	
me	AO 5,204,811	04/1993	Bednar et al.	364	406	
me	AP 5,237,158	08/1993	Kern et al.	235	379	
me	AQ 5,274,567	12/1993	Kallin et al.	364	478	
me	AR 5,321,238	06/1994	Kamata et al.	235	379	
me	AS 5,345,090	09/1994	Hludzinski	250	566	
me	AT 5,444,794	08/1995	Uhland, Sr.	382	137	
me	AU 5,506,691	04/1996	Bednar et al.	358	402	
me	AV 5,544,043	08/1996	Miki et al.	364	406	
me	AW 5,602,936	02/1997	Green et al.	382	140	
me	AX 5,673,333	09/1997	Johnston	382	137	
me	AY 5,751,842	05/1998	Riach et al.	382	137	
me	AZ 5,754,673	05/1998	Brooks et al.	382	112	
me	BA 5,781,654	07/1998	Carney	382	137	
me	BB 5,784,503	07/1998	Blecker, III et al.	382	137	
me	BC 5,787,403	07/1998	Randle	705	433	

EXAMINER S. Campa/GSI

DATE CONSIDERED 1998

*EXAMINER: Initial if reference considered, whether or not citation is in conformance with MPEP 609. Draw line through citation if not in conformance and not considered. Include copy of this form with next communication to applicant.

GROUP 2700
SEP 10 AM '98
REFERENCED

MMBB, LLP

10/2/98

2:10

PAGE 001/8

RIGHTFAX

2761

Official

**MCGUIRE WOODS
BATTLE & BOOTH LLP**

FAX RECEIVED 2766
OCT 02 1998
GROUIN 2700

No. of Pages (including fax cover sheet): 06

Date: Friday, October 02, 1998 4:02:04 PM

If all pages are not received, please call the Fax Operator indicated below.

TO: Sai Cangialosi, Examiner

OFFICE/COMPANY/FIRM: U.S. Patent & Trademark Office

PHONE NUMBER:

FAX NUMBER: 1-703-308-9031

FROM: Linda L. Buchanan

OFFICE: RICHMOND

FAX OPERATOR: (804)775-7456

FAX NUMBER:

SENDER'S DIRECT DIAL PHONE NUMBER: 1-804-775-1104

REMARKS:

This Fax is intended for the recipient indicated above. It may be confidential or protected from disclosure by the attorney-client privilege or work-product doctrine. If you have received this Fax in error, please mail it to: McGuire, Woods, Battle and Boothe, L.L.P., One James Center, 901 East Cary Street, Richmond, VA 23219. We will reimburse you for your postage. Thank you.

DTC000114

D 066817

**MCGUIRE WOODS
BATTLE & BOOTH LLP**

**FAX RECEIVED
OCT 02 1998
GROTON 2700**

Official

One James Center
901 East Cary Street
Richmond, Virginia 23219-4030
Telephone/TDD (804) 775-1000 • Fax (804) 775-1061

Mark A. Taylor
Direct Dial: (804) 775-4388

October 2, 1998

VIA FASCIMILE (703) 308-9051
Assistant Commissioner for Patents
Box Non-Fee Amendment
Washington, D.C. 20231

Dear Sir:

Transmitted herewith for filing is a Submission in connection with the patent application of:

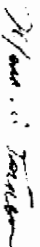
Inventors: Claudio R. Ballard
For: REMOTE IMAGE CAPTURE WITH
CENTRALIZED PROCESSING AND STORAGE
Filing Date: August 27, 1997
Serial No.: 08/917,761
Examiner: Cangialosi, Sal
Art Unit: ~~3642~~ 2766
Attorney Docket No.: 2000976-0009

Enclosed are:

- Submission;
- Supplemental Power of Attorney;
- Statement Under 37 CFR 3.73(b);

The Commissioner is hereby authorized to charge any additional fees which may be required, or credit any over payment to Account No. 13-0437.

Respectfully submitted,



Mark A. Taylor
Registration No. 35,706

cc: J. Michael Martinez

\\SRCS11104\home\jmm\Legal\Trans for Submission 10-2-98.doc

www.ambb.com

IN THE UNITED STATES PATENT AND TRADEMARK OFFICE

FAX RECEIVED

Official

OCT 02 1998

Groun 2700

In the patent application of: Claudio R. Ballard

Serial No.: 08/917,761

Filed: August 27, 1997

Art Unit: 3642

Examiner: Cangialosi, Sal

Attorney Docket No.: 2000976-0009

For: REMOTE IMAGE CAPTURE WITH CENTRALIZED PROCESSING AND STORAGE

Assistant Commissioner for Patents
Box Non-Fee Amendment
Washington, D.C. 20231

October 2, 1998

SUBMISSION

Sir:

The undersigned herein respectfully submits the enclosed Supplemental Power of Attorney and accompanying Statement Under 37 CFR 3.73(b) for entry into the above captioned application. The enclosed Supplemental Power of Attorney does not revoke the present power of attorney assigned in the present application. Rather, the document is intended to supplement the presently assigned attorney powers by granting power of attorney to the attorneys listed in the enclosed Supplemental Power of Attorney.

The assignee's right to present the enclosed documents for entry in the present application is established by the enclosed Statement Under 37 CFR 3.73(b).

It will be noted that the enclosed documents are facsimile copies reflecting a true, original signature. The original documents will be filed once they are received from the applicant.

It is therefore respectfully requested that the enclosed documents be entered in the present application.

Respectfully submitted,



Mark A. Taylor
Attorney for Applicant
Registration No. 35,706

Assistant Commissioner for Patents

Serial No.: 08/917,761

October 2, 1998

Page No. 2

Correspondence directed to:

Mark A. Taylor, Esquire

McGuire Woods Bartle & Booth LLP

One James Center

901 East Cary Street

Richmond, Virginia 23219-4030

Telephone: (804) 775-4338

Facsimile: (804) 698-2244

cc: J. Michael Martinez, Esq.

WRCS1104\jacobson\A\Meta\Submission 10-2-98.doc

DTC000117

D 066820

From: Claudio R. Ballard to: Mark A. Taylor, Esquire, Esq.

Official *ae* Official *ae*

10/7

IN THE UNITED STATES PATENT AND TRADEMARK OFFICE

FAX RECEIVED

OCT 02 1998
Group 2700

In the patent application of Claudio R. Ballard
Serial No. 08/ 917,761
Filed: August 27, 1997
Art Unit 1642
Examiner Carter, M.
Attorney/ Dockets No.: 2000975-0009
For: REMOTE IMAGE CAPTURE WITH CENTRALIZED PROCESSING AND STORAGE

Commissioner for Patents
Washington, D. C. 20231

SUPPLEMENTAL POWER OF ATTORNEY

Sir
I hereby appoint J. Michael Martinez de Arizono, Reg. No. 37,178; Mark A. Taylor, Reg. No. 35,760; Philip D. Lane, Reg. No. 41,140 and David E. Baker, 42,285, all attorneys of the firm of McGuire Woods Battle & Boothe LLP, One James Center, 901 East Cary Street, Richmond, Virginia 23219, telephone number (804) 775-0331, as supplemental attorneys to prosecute the application identified above and transact all business in the Patent and Trademark Office connected therewith.

I represent the assignee of record of the entire interest. A certificate under 37 CFR Section 3.73(b) is enclosed.

Respectfully submitted,

Claudio R. Ballard

Claudio R. Ballard
President
CSP Holdings, LLC

Correspondence directed to:
J. Michael Martinez de Arizono, Esquire
McGuire Woods Battle & Boothe LLP
One James Center
901 East Cary Street
Richmond, Virginia 23219-4030
Telephone: (804) 775-1033
ATTORNEY AT LAW

Official

Approved for use through electronic filing (E-file) by the Patent and Trademark Office, U.S. Department of Commerce. Patent and Trademark Office, U.S. Department of Commerce, Washington, DC 20591. Do not send fees on CD-ROMS FORMS TO THIS ADDRESS. SEND TO APPROPRIATE FIELD OFFICE NUMBER.

STATEMENT UNDER 37 CFR 3.73(b)

FAX RECEIVED

Application/Parent Owner: Claudio R. Ballard
Application No./Parent No.: 08/917,762
Filing Date: August 27, 1997
Evident: RDNOTE DEVICE CAPTURE WITH CENTRALIZED PROCESSING AND STORAGE
GSP Holdings, LLC
Groun P700
Date: OCT 02 1998

Name of Assignee

GSP HOLDINGS, LLC

(Type of Assignee, i.e., assignee, inventor, attorney, government agency, etc.)

status that is:

- 1. the assignee of the entire right, title, and interest; or
- 2. an assignee of an undivided part interest

In the patent application/patent identified above by virtue of either:

A. (x) An assignment from the inventor(s) of the patent application/patent identified above. The assignment was recorded in the Patent and Trademark Office at Reel 9202, Frame 0976 or for which a copy thereof is attached

OR

B. [] A chain of title from the inventor(s) of the patent application/patent identified above to the current assignee as shown below:

- 1. From: _____ To: _____
The document was recorded in the Patent and Trademark Office at Reel _____ Frame _____ or for which a copy thereof is attached
- 2. From: _____ To: _____
The document was recorded in the Patent and Trademark Office at Reel _____ Frame _____ or for which a copy thereof is attached
- 3. From: _____ To: _____
The document was recorded in the Patent and Trademark Office at Reel _____ Frame _____ or for which a copy thereof is attached.

[] Additional documents in the chain of title are listed on a supplemental sheet.

[] Copies of assignments or other documents in the chain of title are attached

NOTE: A separate copy file, the original assignment document or a true copy of the original document must be submitted to Assignment Division in accordance with 37 CFR Part 3, if the assignment is to be recorded in the records of the PTO. See MPEP 307-307.81

The undersigned (whose title is specified below) is empowered to sign this statement on behalf of the assignee

September 30, 1998
Date
Signature

Claudio R. Ballard

Typed or printed name

President

Title

Under the Signature Required Act of 1996, to generate an electronic signature, the inventor or assignee must sign the document in the presence of a Notary Public or a Commissioner of a State or the District of Columbia. The inventor or assignee must also sign the document in the presence of a Notary Public or a Commissioner of a State or the District of Columbia. The inventor or assignee must also sign the document in the presence of a Notary Public or a Commissioner of a State or the District of Columbia. The inventor or assignee must also sign the document in the presence of a Notary Public or a Commissioner of a State or the District of Columbia.

Mark A. Taylor
9/29/08 2 of 3



IN THE UNITED STATES PATENT AND TRADEMARK OFFICE

In the patent application of **Claudio R. Ballard**

Serial No.: 08/ 917,761
Filed: August 27, 1997
Art Unit: 3642
Examiner: Carter, M.
Attorney Docket No.: 2000976-0009
For: **REMOTE IMAGE CAPTURE WITH CENTRALIZED PROCESSING AND STORAGE**

Commissioner for Patents
Washington, D.C. 20231

SUPPLEMENTAL POWER OF ATTORNEY

Sir:

I hereby appoint J. Michael Martinez de Andino, Reg. No. 37,178; Mark A. Taylor, Reg. No. 35,796; Philip D. Lane, Reg. No. 41,140 and David E. Baker, 42,285, all attorneys of the firm of McGuire, Woods, Battle & Boothe LLP, One James Center, 901 East Cary Street, Richmond, Virginia 23219, telephone number (804) 775-0333, as supplemental attorneys to prosecute the application identified above and transact all business in the Patent and Trademark Office connected therewith.

I represent the assignee of record of the entire interest. A certificate under 37 CFR Section 3.73(b) is enclosed.

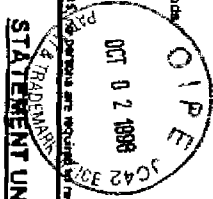
Respectfully submitted,

Claudio R. Ballard

Claudio R. Ballard
President
CSP Holdings, LLC

Correspondence directed to:
J. Michael Martinez de Andino, Esquire
McGuire Woods Battle & Boothe LLP
One James Center
901 East Cary Street
Richmond, Virginia 23219-4030
Telephone: (804) 775-1033
Article 1647a-1647a-2 Supplemental Power of Attorney

RECEIVED
98 OCT -9 PM 2:42
GROUP 2100



STATEMENT UNDER 37 CFR 3.73(b)

Under the Paperwork Reduction Act of 1995, no persons are required to respond to a collection of information on this form unless it displays a valid OMB control number. Approved for use through 04/22/2002. OMB No. 0401-0201. Patent and Trademark Office, U.S. DEPARTMENT OF COMMERCE. If you have any comments on this form, please write them on this form and send them to the Assistant Commissioner for Patents, Washington, DC 20231. DO NOT SEND TESTS ON COMPLETED FORMS TO THIS ADDRESS. SEND TO ASSISTANT COMMISSIONER FOR PATENTS, WASHINGTON, DC 20231.

Applicant/Parent Owner: Claudio R. Ballard
 Application No./Patent No.: 08/917,766 Filed/Issue Date: August 27, 1997

Entitled: RD-CYTE IMAGE CAPTURE WITH CENTRALIZED PROCESSING AND STORAGE

CSP Holdings, LLC
 (Name of Assignee) corporation
 (Type of Assignee, e.g., corporation, partnership, university, government agency, etc.)

states that it is:

- 1. the assignee of the entire right, title, and interest; or
- 2. an assignee of an undivided part interest.

In the patent application/patent identified above by virtue of either:

A. An assignment from the inventor(s) of the patent application/patent identified above. The assignment was recorded in the Patent and Trademark Office at Reel 9202, Frame 0976 or for which a copy thereof is attached.

OR

B. A chain of title from the inventor(s) of the patent application/patent identified above, to the current assignee as shown below:

1. From: _____ To: _____
 The document was recorded in the Patent and Trademark Office at
 Reel: _____, Frame: _____ or for which a copy thereof is attached.

2. From: _____ To: _____
 The document was recorded in the Patent and Trademark Office at
 Reel: _____, Frame: _____ or for which a copy thereof is attached.

3. From: _____ To: _____
 The document was recorded in the Patent and Trademark Office at
 Reel: _____, Frame: _____ or for which a copy thereof is attached.

4. Additional documents in the chain of title are listed on a supplemental sheet.

Copies of assignments or other documents in the chain of title are attached.

NOTE: A separate copy (i.e., the original assignment document) or a true copy of the original document must be submitted to Assignment Division in accordance with 37 CFR Part 2. If the assignment is to be recorded in the records of the PTO, See MPEP 302-302.81.

The undersigned (whose title is supplied below) is empowered to sign this statement on behalf of the assignee

September 30, 1998 Date
Claudio R. Ballard Signature

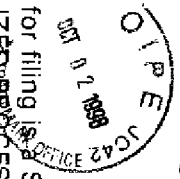
Claudio R. Ballard Typed or printed name
President Title

Under Paperwork Reduction Act of 1995, no persons are required to respond to a collection of information on this form unless it displays a valid OMB control number. Approved for use through 04/22/2002. OMB No. 0401-0201. Patent and Trademark Office, U.S. DEPARTMENT OF COMMERCE. If you have any comments on this form, please write them on this form and send them to the Assistant Commissioner for Patents, Washington, DC 20231. DO NOT SEND TESTS ON COMPLETED FORMS TO THIS ADDRESS. SEND TO ASSISTANT COMMISSIONER FOR PATENTS, WASHINGTON, DC 20231.

RECEIVED
 98 OCT -9 PM 2:42
 GROUP 2/00

Certification Under 37 C.F.R. 3.73(b)

EXPRESS MAIL



Enclosed for filing is a Submission for REMOTE IMAGE CAPTURE WITH CENTRALIZED PROCESSING AND STORAGE, Supplemental Power of Attorney, and Statement Under 37 CFR 3.73(b), along with a transmittal letter and a self-addressed return postcard.

"Express Mail" mailing Label No. EM395358920US

Date of Deposit 10/2/98

I hereby certify that this paper or fee is being deposited with the United States Postal Service "Express Mail Post Office to Addressee" service under 37 C.F.R. 1.10 on the date indicated above and is addressed to the Assistant Commissioner for Patents, Box Non-Fee Amendment, Washington, D.C. 20231.

Diane F. Petree

(Name of Person Mailing Paper or Fee)

Diane F. Petree
Signature of person mailing or fee

10/02/98 10:12 AM
RECEIVED

\\ERIC5\1104\buhauser\LaMela\Submission expmail.doc

RECEIVED
98 OCT -9 PM 2:42
GROUP 2700

DTC000122

D 066825



IN THE UNITED STATES PATENT AND TRADEMARK OFFICE

In the patent application of: Claudio R. Ballard

Serial No.: 08/917,761
Filed: August 27, 1997
Art Unit: 3642

Examiner: Carter, M.

Attorney Docket No.: 2000976-0009

For: REMOTE IMAGE CAPTURE WITH CENTRALIZED PROCESSING AND STORAGE

Commissioner for Patents
Washington, D.C. 20231

RECEIVED

OCT 15 1998

GROUP 2100

SUPPLEMENTAL POWER OF ATTORNEY

Sir:

I hereby appoint J. Michael Martinez de Arдино, Reg. No. 37,178, Mark A. Taylor, Reg. No. 35,706, Philip D. Lane, Reg. No. 41,140 and David E. Baker, 42,285, all attorneys of the firm of McGuire, Woods, Battle & Boothe LLP, One James Center, 901 East Cary Street, Richmond, Virginia 23219, telephone number (804) 775-1033, as supplemental attorneys to prosecute the application identified above and transact all business in the Patent and Trademark Office connected therewith.

I represent the assignee of record of the entire interest. A certificate under 37 CFR Section 3.73(b) is enclosed.

Respectfully submitted,

Claudio R. Ballard
Claudio R. Ballard
President

CSP Holdings, LLC

Correspondence directed to:

J. Michael Martinez de Arдино, Esquire
McGuire Woods Battle & Boothe LLP
One James Center
901 East Cary Street
Richmond, Virginia 23219-4030
Telephone: (804) 775-1033
FIC 51104 Subchapter S Supplemental Power of Atty. Jov

RECEIVED
OCT 16 PM 1:06
GROUP 2700

RECEIVED
OCT 22 AM 9:34
GROUP 2100

DTC000123

D 066826



Certification Under 37 C.F.R. 3.73(b)

EXPRESS MAIL

Enclosed for filing is a Submission for REMOTE IMAGE CAPTURE WITH CENTRALIZED PROCESSING AND STORAGE, original signed Supplemental Power of Attorney, and Statement Under 37 CFR 3.73(b), along with a transmittal letter and a self-addressed return postcard.

"Express Mail" mailing Label No. EM395358686US

Date of Deposit 10/8/98

I hereby certify that this paper or fee is being deposited with the United States Postal Service "Express Mail Post Office to Addressee" service under 37 C.F.R. 1.110 on the date indicated above and is addressed to the Assistant Commissioner for Patents, Box Non-Fee Amendment, Washington, D.C. 20231.

Linda L. Buchanan

(Name of Person Mailing Paper or Fee)

Linda L. Buchanan
Signature of person mailing or fee



PTO/5878 (5-88)
Approved for use through 04/22/2006 OMB 055-1001
Patent and Trademark Office U.S. DEPARTMENT OF COMMERCE
Under the Paperwork Reduction Act of 1995, no person are required to respond to a collection of information unless it displays a valid OMB control number.

STATEMENT UNDER 37 CFR 3.73(b)

Applicant/Parent Owner: Claudio R. Ballard
Application No./Patent No.: 08/917,761 Filed/Issue Date: August 27, 1997
Entitled: REMOTE IMAGE CAPTURE WITH CENTRALIZED PROCESSING AND STORAGE
CSP Holdings, LLC a corporation
(Name of Assignee) (Type of Assignee, e.g., corporation, partnership, university, government agency, etc.)

states that it is:

- 1. the assignee of the entire right, title, and interest; or
- 2. an assignee of an undivided part interest

In the patent application/patent identified above by virtue of either:

A. An assignment from the inventor(s) of the patent application/patent identified above. The assignment was recorded in the Patent and Trademark Office at Reel 9203 Frame 0976 or for which a copy thereof is attached.
OR

B. A chain of title from the inventor(s) of the patent application/patent identified above, to the current assignee as shown below:

- 1. From: _____ To: _____
The document was recorded in the Patent and Trademark Office at
Reel _____ Frame _____ or for which a copy thereof is attached
- 2. From: _____ To: _____
The document was recorded in the Patent and Trademark Office at
Reel _____ Frame _____ or for which a copy thereof is attached
- 3. From: _____ To: _____
The document was recorded in the Patent and Trademark Office at
Reel _____ Frame _____ or for which a copy thereof is attached.

Additional documents in the chain of title are listed on a supplemental sheet.

Copies of assignments or other documents in the chain of title are attached.

NOTE: A separate copy (e.g., the original assignment document or a true copy of the original document) must be submitted to Assignment Division in accordance with 37 CFR Part 3, if the assignment is to be recorded in the records of the PTO. See MPEP 302-302.81

The undersigned (whose title is supplied below) is empowered to sign this statement on behalf of the assignee.

September 30, 1998 Date
Claudio R. Ballard Signature
Claudio R. Ballard Typed or printed name
President Title

Burden Hour Statement: This form is estimated to take 0-2 hours to complete. Time will vary depending upon the needs of the individual case. Any comments on the amount of time you are required to complete this form should be sent to the Chief Information Officer, Patent and Trademark Office, Washington, DC 20231. DO NOT SEND FEES OR COMPLETED FORMS TO THIS ADDRESS. SEND TO: Assistant Commissioner for Patents, Washington, DC 20231.



**MCGUIRE WOODS
BATTLE & BOOTH LLP**

One James Center
901 East Cary Street
Richmond, Virginia 23219-4030
Telephone/TDD (804) 775-1000 • Fax (804) 775-1061

Mark A. Taylor
Direct Dial: (804) 775-4388

October 8, 1998

27/16/98 AMU 3642

3/6/98

1/2

1/1/97

2701

RECEIVED

OCT 15 1998

GROUP 2100

Assistant Commissioner for Patents
Box Non-Fee Amendment
Washington, D.C. 20231

Dear Sir:

Transmitted herewith for filing is a Submission in connection with the patent application
of:

Inventors: Claudio R. Ballard
For: REMOTE IMAGE CAPTURE WITH
CENTRALIZED PROCESSING AND STORAGE
Filing Date: August 27, 1997
Serial No.: 08/917,761
Examiner: Cangialosi, Sal
Art Unit: 3642
Attorney Docket No.: 2000976-0009

Enclosed are:

- Submission;
- Supplemental Power of Attorney;
- Statement Under 37 CFR 3.73(b);
- Express Mail Certificate; and
- a self-addressed stamped return postcard.

The Commissioner is hereby authorized to charge any additional fees, which may be required, or credit any over payment to Account No. 13-0437.

Respectfully submitted,

Mark A. Taylor

Mark A. Taylor
Registration No. 35,706

VERICSI1104BuchananUAMelizaTrans for Submission 10-8-98.doc

www.mwbl.com

ALBANY • BALTIMORE • BRUSSELS • CHARLOTTE • CHARLOTTEVILLE • CHICAGO • JACKSONVILLE • MEMPHIS • NEWPORT • RICHMOND • TISSOT CORNER • WASHINGTON • ZURICH (ON COURSE)

RECEIVED 98 OCT 16 PM 1:06
RECEIVED 98 OCT 22 AM 9:34
GROUP 2700

DTC000126

D 066829



IN THE UNITED STATES PATENT AND TRADEMARK OFFICE

application of:

Claudio R. Ballard

Serial No.: 08/917,761
Filed: August 27, 1997

Art Unit: 3642

Examiner: Cangialosi, Sai

Attorney Docket No.: 2000976-0009

For:

REMOTE IMAGE CAPTURE WITH CENTRALIZED
PROCESSING AND STORAGE

RECEIVED
OCT 15 1998
GROUP 2100

Assistant Commissioner for Patents
Box Non-Fee Amendment
Washington, D.C. 20231

October 8, 1998

SUBMISSION

Sir:

In furtherance of my Submission of October 2, 1998, of Supplemental Power of Attorney documents and an accompanying Statement Under 37 CFR 3.73(b), the undersigned herein respectfully submits the original signed documents that have been received from the applicant.

It is respectfully requested that the enclosed be entered in the present application.

Respectfully submitted,

Mark A. Taylor

Mark A. Taylor
Attorney for Applicant
Registration No. 35,706

RECEIVED
98 OCT 22 AM 9:34
GROUP 2700

Correspondence directed to:
Mark A. Taylor, Esquire
McGuire Woods Bartle & Boothe LLP
One James Center
901 East Cary Street
Richmond, Virginia 23219-4030
Telephone: (804) 775-4338
Facsimile: (804) 698-2244

RECEIVED
98 OCT 16 PM 1:06
GROUP 2100

DTC000127

D 066830

QAM 3642

#11

Received

NOV 5 - 1998



**MCGUIRE WOODS
BATTLE & BOOTH LLP**

One James Center
901 East Cary Street
Richmond, Virginia 23219-4030
Telephone/TDD (804) 775-1000 • Fax (804) 775-1061

J. MICHAEL MARTINEZ DE ANDINO
Direct Dial No.:
(804) 775-1033

Director's Office
E-mail Address: Gmun@77m
jmartin@mwdb.com

October 23, 1998

Assistant Commissioner for Patents
Washington, D.C. 20231

Received

OCT 30 1998

Group 2700

Transmitted herewith is information regarding patent application of:
Claudio R. Ballard
Serial No.: 08/917,761
Filed: August 27, 1997
Art Unit: 3642
Examiner: Cangialosi, Sal
Title: REMOTE IMAGE CAPTURE WITH CENTRALIZED PROCESSING AND STORAGE

Enclosed herewith are:

- * Copy of Supplemental Power of Attorney as originally filed;
- * Petition to Make Special under 37 CFR § 1.182 and § 1.183;
- * Information Disclosure Statement with References;
- * PTO-1449 (modified);
- * Check in the amount of \$130.00;
- * Certificate of Express Mail;
- * and a Self-addressed, stamped return postcard.

The Commissioner is hereby authorized to charge any additional fees, which may be required, or credit any overpayment to Account No. 13-0437. Two additional copies of this sheet are attached.

Respectfully submitted,

By: J. Michael Martinez de Andino
J. Michael Martinez de Andino
Attorney for Applicants
Registration No. 37,178

Dated: October 23, 1998

10/27/1998 SLUANG 00000063 08917761
01 FC:122 130.00 0P



IN THE UNITED STATES PATENT AND TRADEMARK OFFICE

the patent
application of:

Claudio R. Ballard

Received

NOV 5 1998

#11

Serial No.: 08/ 917,761

Filed: August 27, 1997

Art Unit: 3642

Examiner: Cangialosi, Sai

Attorney Docket No.: 2000976-0009

Director's Office
Group 2700

For: REMOTE IMAGE CAPTURE WITH CENTRALIZED
PROCESSING AND STORAGE

Assistant Commissioner for Patents
Washington, D.C. 20231

October 23, 1998

PETITION TO MAKE SPECIAL AND ACCELERATE EXAMINATION
UNDER 37 CFR SECTION 1.102(d)

Sir:

The applicant herein respectfully petitions under 37 CFR § 1.102(d) and in accordance with MPEP § 708.02 VIII for the accelerated examination of the above captioned application. Applicant herewith encloses the fee set forth in 37 CFR § 1.17(i) of \$130.00.

It is believed that all claims are directed to a single invention. Nevertheless, if the Office determines that all the claims are not directed to a single invention, the applicant will make an election without traverse. Since the applicant believes that all claims are directed to a single invention, should the Office determine otherwise, the applicant respectfully requests that established telephone restriction practice be followed and that the undersigned be contacted regarding an election.

A pre-examination search was conducted including the following classes/subclasses:

- 235/379; 235/380; 379/91; 379/96; 382/112; 382/115; 382/119; 382/137; 382/140;
- 382/284; 382/306; 382/395; 395/216; 395/217; 395/224; 395/226; 395/235; 395/236;
- 395/237; 395/238; 395/239; 395/240; 395/241; 395/242; 395/243; 395/244; 395/245; and
- 705/45.

One copy each of the references deemed most closely related to the subject matter encompassed by the claims of the above captioned application are included in an Information Disclosure Statement, including PTO Form 1449, and in accordance with 37 CFR 1.97 and 1.98, filed concurrently herewith. The following is a detailed discussion of the references which points out with the particularity required by 37 CFR Section 111(b) and (c) how the claimed subject matter is patentable over the references.

Nally, U.S. Patent No. 4,201,978 is directed to a document processing system which provides the automatic reading of handwritten amount characters located on bank checks for use in processing checks through the banking system. Included within the system are an optical character reader, a magnetic image character reader and a central processor. The device is configured to read handwritten images from checks and store information in a bank computer. Nally '978 does not include any form of data access subsystem that is remote from a central data processing subsystem and linked by communication network.

Owens et al., U.S. Patent No. 4,264,808 is directed to a method and apparatus for electronic image processing of documents for accounting purposes, especially in a banking environment. This patent does not teach or disclose a communication network for the transmission of transactional data within or between one or more data access subsystems and at least one data processing subsystem. Owens et al. '808 is also limited to check processing and does not teach any form of electronic transaction or signature or biometric data capture.

Amemiya et al. U.S. Patent No. 4,694,147 is directed to a terminal for use in a bank in processing transaction slips at a teller station. There, a terminal installed for use by a customer reads a writing image on a deposit or withdrawal slip, recognizes certain items on the slip and a master unit installed for teller use receives and recognizes image data and transmits part of the data to a host system after the teller has confirmed and corrected the display data. The Amemiya et al. '147 patent provides no arrangements for capturing electronic data from credit cards, smart cards or biometric or signature data and does not provide any systems for polling remote data access subsystems nor does it generate any reports. Further, the system provides no data management nor any data access controller.

Yoshida U.S. Patent No. 5,144,115 is directed toward a transaction-inquiring apparatus that allows a user to inquire about various transactions from an ATM machine and conduct transactional steps based on information retrieved, such as paying power bills or other bills. This device provides no remote data access subsystem for capturing and sending paper transaction data nor does it include any central data process system for processing, sending, verifying or storing the paper transaction data. Further, there is no signature interface nor any biometric information interface and the device does not verify and store such data in a central location.

McClure U.S. Patent No. 5,173,594 is directed to a receipt generator to produce written receipts at remote locations. This system is activated by charge cards and includes a telecommunications service and maintains billing records which are supplied at predetermined intervals to a receipt transmission computer. The primary use for the McClure '594 device is to provide a written receipt to credit card customers that is available after the card is used at a location convenient to the consumer. This device does not include any form of a paper transaction data capture apparatus nor does it include any arrangement for capturing signature data or biometric data. The McClure '594 device is limited in operation to provide a credit card receipt remote from the point of credit card use and does not provide the central identity data processing, verification and storage capabilities of the present invention.

Higashiyama et al. U.S. Patent No. 5,175,682 is directed to an apparatus and method for processing checks received by a merchant. The device is intended to speed up the process that a check goes through in "clearing" an issuing bank. The device provides a point of sale terminal such as cash register that reads certain information from the check. This information is stored and the check information verified. A return transmission allows a check, once it has been put into a printer at the point of sale terminal, to be cancelled by the merchant. This device does not include any form of signature capture apparatus nor does it include any electronic or biometric data capture apparatus. The teaching of Higashiyama et al. '682 device is limited to its ability to verify and cancel checks at a point of sale.

Ray et al. U.S. Patent No. 5,321,751 is directed to a method and apparatus for credit card verification. There, a digital image of the credit card holder is encoded into the magnetic strip or into smart cards. This information can be read by a data input device known as a "reader" in Ray et al. '751. This device sends the information to a processor which includes a display to display the encoded image of the card holder. Additionally, the image may be verified by a remote facility. This device does not capture paper transaction data nor does it store the data obtained beyond the verification process. Further, there is no provision in Ray et al. '751 for providing a signature interface or biometric interface. Nor is there any provision for a paper scanner to capture signatures and other printed matter.

Ray et al. U.S. Patent No. 5,436,970 is directed to the same type of image verification for credit cards that is the subject of Ray et al. '751 patent, and the comments directed to the Ray et al. '751 patent are equally valid when applied to the Ray et al. '970 patent.

Drexler et al. U.S. Patent No. 5,457,747 is directed to a system for deterring fraud in the use of magnetic stripe cards for electronic benefit transfer system such as welfare programs, state entitlement programs or the like. The Drexler et al. card includes two data storage areas with one of the data storage areas including biometric identifying information of an individual authorized to use the card. The second area is used to write data authorizing limited use of the card to obtain benefits. The Drexler et al. is for use with a reader that can read the biometric data from the card and compare the data with data stored in a library. This device does not include any form of device for capturing and sending paper transaction data to a central data processing system to verify and store the data.

Bedmar et al. U.S. Patent No. 5,506,691 patent discloses a method and apparatus for processing checks at remote sites. Included is a system for processing documents where images are captured and stored at the remote site while the codeline from a check is captured by a document processor and is concurrently transmitted to a central location where financial records are kept. According to Bedmar et al. this has the advantageous effect of avoiding huge communication system requirements that would be necessary if images were to be passed from the remote site to the central site. In substantial contrast, the present application provides a communication network for transmitting images to a central data processing subsystem for processing, sending and verifying paper transaction data which is captured at remote locations.

Smithies et al. U.S. Patent No. 5,647,017 patent discloses a computer-based method and system for capturing and verifying a handwritten signature. This device uses an image capture apparatus that takes certain measurements known as "act of signing measurements" at the time that the user signs the check. The result of this is that the signature capture module creates a checksum of the document that was signed which can be used at a later date to verify the document. The Smithies et al. system does not include any form of data management subsystem for maintaining various forms of captured data, such as biometric data or smart card data and does not maintain a central data processing subsystem for processing, sending, verifying and storing paper transaction data.

However U.S. Patent No. 5,657,389 patent is directed to a system for positive identification of an individual primarily in the field of credit card use. A point of identity verification terminal is provided that includes an arrangement for inputting data presented by a particular individual. A database storage and retrieval site includes a plurality of digital image data unique to persons being identified. An arrangement for exchanging data between the point of verification and the database site is provided. This device does not include any form of arrangement for capturing and sending paper transaction data nor does it include any means for processing, sending, verifying and storing any paper transaction data.

The undersigned has Power of Attorney in the present application. A copy of the Supplemental Power of Attorney document filed August 27, 1997 is enclosed for your reference. Based on the above, it is respectfully requested that the present petition be allowed and that the present application be designated for accelerated examination.

Respectfully submitted,



J. Michael Martinez de Andino
Attorney for Applicant
Registration No. 37,178

Correspondence directed to:
J. Michael Martinez de Andino, Esq.
McGuire Woods Bantle & Boothe LLP
One James Center
901 East Cary Street
Richmond, Virginia 23219-4030
Telephone: (804) 775-1033
Facsimile: (804) 698-2106



IN THE UNITED STATES PATENT AND TRADEMARK OFFICE

In the patent application of: Claudio R. Ballard

Serial No.: 08/917,761

Filed: August 27, 1997

Art Unit: 3642

Examiner: Carter, M.

Attorney Docket No.: 2000976-0009

For: REMOTE IMAGE CAPTURE WITH CENTRALIZED PROCESSING AND STORAGE

Commissioner for Patents
Washington, D.C. 20231

SUPPLEMENTAL POWER OF ATTORNEY

Sir:

I hereby appoint J. Michael Martinez de Andino, Reg. No. 37,178; Mark A. Taylor, Reg. No. 35,706; Philip D. Lane, Reg. No. 41,140 and David E. Baker, 42,285, all attorneys of the firm of McGuire, Woods, Battle & Booth LLP, One James Center, 901 East Cary Street, Richmond, Virginia 23219, telephone number (804) 775-1033, as supplemental attorneys to prosecute the application identified above and transact all business in the Patent and Trademark Office connected therewith.

I represent the assignee of record of the entire interest. A certificate under 37 CFR Section 3.73(b) is enclosed.

Respectfully submitted,

Claudio R. Ballard
President
CSP Holdings, LLC

Correspondence directed to:
J. Michael Martinez de Andino, Esquire
McGuire Woods Battle & Booth LLP
One James Center
901 East Cary Street
Richmond, Virginia 23219-4030
Telephone: (804) 775-1033
MICHAEL MARTINEZ DE ANDINO, Supplemental Power of Atty. Law

1998 OCT 23 10 09 AM '98

IN THE UNITED STATES PATENT AND TRADEMARK OFFICE

In the patent application of: **Orlando R. Ballard**

Serial No. **001 23 1898**

Filed: **August 27, 1997**

Art Unit: **3642**

Examiner: **Cangialosi, Sai**

Attorney Docket No.: **2000976-0009**

For: **REMOTE IMAGE CAPTURE WITH CENTRALIZED PROCESSING AND STORAGE**

Assistant Commissioner for Patents and Trademarks
Washington, D.C. 20231

October 23, 1998

INFORMATION DISCLOSURE STATEMENT

Sir:

In accordance with the applicant's duty of disclosure under 37 CFR § 1.97, enclosed is Form PTO-1449 listing patents discussed in the accompanying Petition to Make Special. Copies of the references listed on the Form PTO-1449 are enclosed herewith.

No fees are believed to be due for the submission of this Information Disclosure Statement. Nevertheless, any fees required should be charged to the undersigned's deposit account, namely, Account No. 13-0437.

Respectfully submitted,



J. Michael Martinez de Andino
Registration No. 37,178

Correspondence directed to:
J. Michael Martinez de Andino, Esq.
McGuire Woods Bartle & Boothé LLP
One James Center
901 East Cary Street
Richmond, Virginia 23219-4030
Telephone: (804) 775-1033
Facsimile: (804) 698-2106

U:\7555\CSRHOLD\INQUIN\FODISCL\OSTPAT 0009.doc

10 OCT 23 AM 9:22

DTC000134

D 066837

Express Mail No. EM35 19236US

Docket Number: 2000976-0009

Form PTO-1449
(Modified)

U.S. DEPT. OF COMMERCE
PATENT AND TRADEMARK OFFICE

Serial Number: 08/917,761

INFORMATION DISCLOSURE STATEMENT BY
APPLICANT

Applicant(s): Claudio R. Ballard

OCT 23 1998
19236US

Title: REMOTE IMAGE CAPTURE WITH
CENTRALIZED PROCESSING AND
STORAGE

(Use several sheets if necessary)
(37 CFR 1.98 (b))

Filing Date: August 27, 1997

Group: 3642

Sheet 1 of 2 Sheets

Examiner: Cangialosi, Sal

U.S. PATENT DOCUMENTS

EXAM INT.	REF.	PATENT NUMBER	ISSUE DATE	PATENTEE	CLASS	SUBCLASS	FLING DATE IF APPRO- PRIATE
	AA	4 2 0 1 9 7 8	05/06/80	Nally	340	146.3	
	AB	4 2 6 4 8 0 8	04/28/81	Owens et al.	235	379	
	AC	4 6 9 4 1 4 7	09/15/87	Armeniya et al.	235	379	
	AD	5 1 4 4 1 1 5	09/01/92	Yoshida	235	379	
	AE	5 1 7 3 5 9 4	12/22/92	McClure	235	380	
	AF	5 1 7 5 6 8 2	12/29/92	Higashiyama et al.	364	408	
	AG	5 3 2 1 7 5 1	01/14/94	Ray et al.	380	23	
	AH	5 4 3 6 9 7 0	07/25/95	Ray et al.	380	23	
	AI	5 4 5 7 7 4 7	10/10/95	Drexler et al.	380	24	
	AJ	5 5 0 6 9 6 1	04/09/96	Bednar et al.	358	402	
	AK	5 6 4 7 0 1 7	07/08/97	Smithies et al.	382	119	
	AL	5 6 5 7 3 8 9	08/12/97	Houvenner	380	23	

FOREIGN PATENT OR PUBLISHED FOREIGN PATENT APPLICATION

DOCUMENT NUMBER	PUBL. DATE	COUNTRY OR PATENT OFFICE	CLASS	SUBCLASS	TRANSLATION COSTS NO.
AM					11
AN					11
AO					23

Express Mail No. EM 359236US

Dock. Number: 2000976-0009

Form PTO-1449 (Modified)	U.S. DEPT. OF COMMERCE PATENT AND TRADEMARK OFFICE	Serial Number: 08/917,761
INFORMATION DISCLOSURE STATEMENT BY APPLICANT OCT 23 1998 PATENT & TRADEMARK OFFICE (JC27)		Applicant(s): Claudio R. Ballard
(Use several sheets if necessary) (37 CFR 1.98 (b))		Title: REMOTE IMAGE CAPTURE WITH CENTRALIZED PROCESSING AND STORAGE
Sheet 2 of 2 Sheets		Filing Date: August 27, 1997 Group: 3642 Examiner: Cangialosi, Sal

OTHER DOCUMENTS (Including Author, Title, Date*, Relevant Pages, Place of Publication)**

AP	
AQ	

EXAMINER	DATE CONSIDERED
----------	-----------------

EXAMINER: Initial if reference considered, whether or not citation is in conformance with MPEP 609. Draw line through citation if not in conformance and not considered. Include copy of this form with next communication to applicant.

* The date should include at least the month and year for a foreign application.

** Place of Publication refers to name of publication in which the information being submitted was published.

DTC000136

D 066839



Certification Under 37 C.F.R. 1.10

EXPRESS MAIL

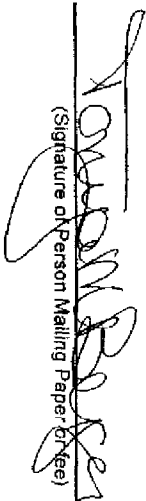
Enclosed herewith for application serial number 08/9171761 for Claudio R. Ballard for a REMOTE IMAGE CAPTURE WITH CENTRALIZED PROCESSING AND STORAGE (Attorney Docket No. 2000976-0009), Petition to Make Special under 37 CFR § 1.182 and § 1.183; Information Disclosure Statement with references; Form PTO-1449 (modified); Self-addressed, stamped return postcard; express mail certificate and check in the amount of \$130.00.

"Express Mail" mailing Label No. EM395359236US

Date of Deposit 10/23/1998

I hereby certify that this paper or fee is being deposited with the United States Postal Service "Express Mail Post Office to Addressee" service under 37 CFR 1.10 on the date indicated above and is addressed to the Assistant Commissioner of Patents, Washington, D.C. 20231.

Tonya M. Berger
(Name of Person Mailing Paper or Fee)


(Signature of Person Mailing Paper or Fee)



UNITED STATES DEPARTMENT OF COMMERCE
Patent and Trademark Office
ASSISTANT COMMISSIONER FOR PATENTS
Washington, D.C. 20231

Mailed

NOV 10 1998

Director's Office
Group 2700

Paper No. 12

J. MICHAEL MARTINEZ de ANDINO, ESQ.
McGUIRE, WOODS, BATTLE & BOOTHE, LLP
ONE JAMES CENTER
901 EAST CARY ST.
RICHMOND, VA. 23219-4030

In re Application of Ballard
Appl. No.: 08/917,761
Filed: August 27, 1997
For: REMOTE IMAGE CAPTURE WITH CENTRALIZED
PROCESSING AND STORAGE

.....
DECISION ON PETITION TO
MAKE SPECIAL
.....
37 CFR 1.102
.....

This is a decision on the petition under 37 CFR 1.102, filed October 23, 1998, to make the above-identified application special.

Petitioner requests that this application be made special under the accelerated examination procedure set forth in MPEP 708.02, Section VIII: Accelerated Examination

A grantable petition to make an application special under 37 CFR 1.102 and in accordance with MPEP 708.02, Section VIII, must be accompanied by:

- (a) the required fee pursuant to 37 CFR 1.17(i),
- (b) a statement that all claims are directed to a single invention or an offer to make an oral election without traverse should the PTO hold that the claims are not directed to a single invention,
- (c) a statement that a pre-examination search has been made, listing the field of search,
- (d) one copy of each of the references deemed most closely related to the subject matter encompassed by the claims, and
- (e) a detailed description of the submitted references and discussions pointing out how the claimed subject matter distinguishes over these references.

The petition meets the requirements for special status.

DTC000138

D 066841

For the above stated reasons, the petition is Granted.

If the examiner can make this application special without prejudice to any possible interfering application, and the examiner should make a rigid search for such, the examiner is authorized to do so for the next action. Should the application be rejected, the application will not be considered special for the subsequent action unless the applicant promptly makes a bona fide effort to place the application in condition for allowance, even if necessary to have an interview with the examiner to accomplish this purpose.

If the examiner finds any intervening application for the same subject matter, the examiner should consider such application simultaneously with this application and should state in the official letter of such application that the examiner has taken it out of turn because of a possible interference.

Should an appeal be taken in this application or should this application become involved in an interference, consideration of the appeal and the interference will be expedited by all PTO officials concerned, contingent like upon diligent prosecution by applicant.

Upon allowance, this application will be given priority for printing. See MPEP 1309.

The petition is granted to the extent indicated.



James J. Groody (703) 308-5461
Special Program Examiner
Technology Center 2700
Communications and Information Processing



**UNITED STATES DEPARTMENT OF COMMERCE
Patent and Trademark Office**

Address: COMMISSIONER OF PATENTS AND TRADEMARKS
Washington, D.C. 20231

yw

APPLICATION NO.	08/917,761	FILING DATE	08/27/97	FIRST NAMED INVENTOR	BALLARD	ATTORNEY DOCKET NO.	0	2269-003
						EXAMINER	LM01/1229	
						CANDIDALOSI, S		
						ART UNIT	PAPER NUMBER	
						2746	13	
						DATE MAILED:	12/29/98	

J. MICHAEL MARTINEZ DE ANDINO, ESQ.
MCQUIRE, WOODS, BATTLE & BOOTH, LLP
ONE JAMES CENTER
901 EAST CARY STREET
RICHMOND VA 23219-4043

Please find below and/or attached an Office communication concerning this application or proceeding.

Commissioner of Patents and Trademarks

Office Action Summary

Application No.	917761	Applicant(s)	Baliga
Examiner	S. Campbell	Group Art Unit	2746

--The MAILING DATE of this communication appears on the cover sheet beneath the correspondence address--

Period for Reply
 SHORTENED STATUTORY PERIOD FOR REPLY IS SET TO EXPIRE 3 MONTH(S) FROM THE MAILING DATE OF THIS COMMUNICATION.

- Extensions of time may be available under the provisions of 37 CFR 1.136(a). In no event, however, may a reply be timely filed after SIX (6) MONTHS from the mailing date of this communication.
- If the period for reply specified above is less than thirty (30) days, a reply within the statutory minimum of thirty (30) days will be considered timely.
- If NO period for reply is specified above, such period shall, by default, expire SIX (6) MONTHS from the mailing date of this communication.
- Failure to reply within the set or extended period for reply will, by statute, cause the application to become ABANDONED (35 U.S.C. § 133).

Status

- Responsive to communication(s) filed on 10/23/98
- This action is FINAL.
- Since this application is in condition for allowance except for formal matters, prosecution as to the merits is closed in accordance with the practice under *Ex parte Quayle*, 1935 C.D. 114, 453 O.G. 213.

Disposition of Claims

- Claim(s) 1-50 is/are pending in the application.
- Of the above claim(s) _____ is/are withdrawn from consideration.
- Claim(s) _____ is/are allowed.
- Claim(s) 1-50 is/are rejected.
- Claim(s) _____ is/are objected to.
- Claim(s) _____ are subject to restriction or election requirement.

Application Papers

- See the attached Notice of Draftsperson's Patent Drawing Review, PTO-948.
- The proposed drawing correction, filed on _____ is approved disapproved.
- The drawing(s) filed on _____ is/are objected to by the Examiner.
- The specification is objected to by the Examiner.
- The oath or declaration is objected to by the Examiner.

Priority under 35 U.S.C. § 119 (a)-(d)

- Acknowledgment is made of a claim for foreign priority under 35 U.S.C. § 119(a)-(d).
- All Some None of the CERTIFIED copies of the priority documents have been received.
- received in Application No. (Series Code/Serial Number) _____
- received in this national stage application from the International Bureau (PCT Rule 17.2(a)).

*Certified copies not received: _____

Attachment(s)

- Information Disclosure Statement(s), PTO-1449, Paper No(s). 6, 8 but NOT 5 since no copies of these were provided.
- Notice of Reference(s) Cited, PTO-892 Interview Summary, PTO-413
- Notice of Draftsperson's Patent Drawing Review, PTO-948 Notice of Informal Patent Application, PTO-152
- Other _____

Office Action Summary

Art Unit: 2746

1. The following is a quotation of 35 U.S.C. § 103 which forms the basis for all obviousness rejections set forth in this Office action:

A patent may not be obtained though the invention is not identically disclosed or described as set forth in section 102 of this title, if the differences between the subject matter sought to be patented and the prior art are such that the subject matter as a whole would have been obvious at the time the invention was made to a person having ordinary skill in the art to which said subject matter pertains. Patentability shall not be negatived by the manner in which the invention was made.

Subject matter developed by another person, which qualifies as prior art only under subsection (f) or (g) of section 102 of this title, shall not preclude patentability under this section where the subject matter and the claimed invention were, at the time the invention was made, owned by the same person or subject to an obligation of assignment to the same person.

2. Claims 1-50 are rejected under 35 U.S.C. § 103 as being unpatentable over Owens et al, Lawlor et al or Pitroda in view of Blander et al or Zeidler or Lee et al.

Each of Owens et al(See Figs. 1, 7, and 9), Lawlor et al(See Figs. 1,2) or Pitroda(See Figs. 1,2,30, and 31) disclose a process and apparatus for image based e commerce including verification at the point of sale by a remote host substantially as claimed. The differences between the above and the claimed invention is a specific network structure and a key based comparison. It is noted the broad independent claims appear to be readable on all forms of electronic point of sale systems and methods available in the last several decades. For example, each

Serial Number: 08/917,761

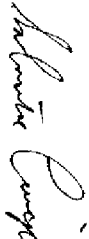
-3-

Art Unit: 2746

of Elander et al(See Figs. 1, 5a and 5b) or Zeidler(See Figs.1-9) or Lee et al(See Figs. 1-3) show encrypted financial networks employing some type of key based comparison for authorization of a specific transaction. It would have been obvious to the person having ordinary skill in this art to provide a similar arrangement for Owens et al, Lawlor et al or Piltroda modified by Elander et al or Zeidler or Lee et al because it is conventional and standard practice to provide some remote authorization based on a key-type comparison and they are no more than the conventional equivalents of what is disclosed, suggested and intended in the primary item of evidence. The deficiencies of the art with respect to the dependent claims deal with the conventional cryptographic digital signal protocols. It is noted that the claims as now drafted are overly broad with respect to the wide body of prior art.

Information disclose dated 2/4/98 was not considered since no copies of the references are supplied.

Any inquiry concerning this communication should be directed to Salvatore Cangialosi at telephone number (703) 305-1837.


SALVATORE CANGIALOSI
PRIMARY EXAMINER
ART UNIT 222

DTC000143

D 066846

**NOTICE OF DRAFTERPERSON'S
PATENT DRAWING REVIEW**

The drawing filed (insert date) 08/27/97 are:

not objected to by the Drafterperson under 37 CFR 1.84 or 1.152.
 objected to by the Drafterperson under 37 CFR 1.84 or 1.152 as indicated below. The Examiner will require submission of new, corrected drawings, where necessary. Corrected drawings must be submitted according to the instructions on the back of this notice.

<p>1. DRAWINGS. 37 CFR 1.84(f): Acceptable categories of drawings: Black ink. Color. Color drawing are not acceptable until petition is granted. Fig.(s) _____ Pencil and non black ink is not permitted. Fig.(s) _____ 2. PHOTOGRAPHS. 37 CFR 1.84(i): Photographs are not acceptable until petition is granted. 3 full-tone sets are required. Fig.(s) _____ Photographs not properly mounted (must be on rigid board or photographic double-weight paper). Fig.(s) _____ Poor quality (half-tone). Fig.(s) _____ 3. TYPE OF PAPER. 37 CFR 1.84(j): Paper not flexible, strong, white and durable. Fig.(s) _____ Erasures, alterations, over-writings, interlineations, folds, copy machine marks not acceptable. (too thin) Mylar, vellum paper is not acceptable (too thin). Fig.(s) _____ 4. SIZE OF PAPER. 37 CFR 1.84(f): Acceptable sizes: 21.0 cm by 29.7 cm (DIN size A4) 21.6 cm by 27.9 cm (8 1/2 x 11 inches) All drawings sheets not the same size. Sheet(s) _____ 5. MARGINS. 37 CFR 1.84(g): Acceptable margins: Top 2.5 cm Left 2.5 cm Right 1.5 cm Bottom 1.0 cm SIZE: A4 Size Top 2.5 cm Left 2.5 cm Right 1.5 cm Bottom 1.0 cm SIZE: 8 1/2 x 11 Margins not acceptable. Fig.(s) _____ Top (T) _____ Left (L) _____ Right (R) _____ Bottom (B) _____ 6. VIEWS. CFR 1.84(d): REMINDER: Specification may require revision to correspond to drawing changes. Views connected by projection lines or lead lines. Fig.(s) _____ Partial views. 37 CFR 1.84(h)(2): Brackets needed to show figure as one entity. Fig.(s) _____ Views not labeled separately or properly. Fig.(s) _____ Enlarged view not labeled separately or properly. Fig.(s) _____</p>	<p>7. SECTIONAL VIEWS. 37 CFR 1.84(h)(3): Hatching not indicated for sectional portions of an object. Fig.(s) _____ Sectional designation should be noted with Arabic or Roman numbers. Fig.(s) _____ 8. ARRANGEMENT OF VIEWS. 37 CFR 1.84(i): Words do not appear on a horizontal, left-to-right fashion when page is either upright or turned, so that the top becomes the right side, except for graphs. Fig.(s) _____ Views not on the same plane or drawing sheet. Fig.(s) _____ 9. SCALE. 37 CFR 1.84(k): Scale not large enough to show mechanism without crowding when drawing is reduced in size to two-thirds in reproduction. Fig.(s) _____ 10. CHARACTER OF LINES, NUMBERS, & LETTERS. 37 CFR 1.84(l): Lines, numbers & letters not uniformly thick and well defined, clean, durable and black (poor line quality). Fig.(s) _____ 11. SHADING. 37 CFR 1.84(m): Solid black areas pale. Fig.(s) _____ Solid black shading not permitted. Fig.(s) _____ Shade lines, pale, rough and blurred. Fig.(s) _____ 12. NUMBERS, LETTERS, & REFERENCE CHARACTERS. 37 CFR 1.84(p): Numbers and reference characters not plain and legible. Fig.(s) _____ Figure legends are poor. Fig.(s) _____ Numbers and reference characters not oriented in the same direction as the view. 37 CFR 1.84(p)(3) Fig.(s) _____ English alphabet not used. 37 CFR 1.84(p)(3) Fig.(s) _____ Numbers, letters and reference characters must be at least .32 cm (.18 inch) in height. 37 CFR 1.84(p)(3) Fig.(s) _____ 13. LEAD LINES. 37 CFR 1.84(q): Lead lines cross each other. Fig.(s) _____ Lead lines missing. Fig.(s) _____ 14. NUMBERING OF SHEETS OF DRAWINGS. 37 CFR 1.84(r): Sheets not numbered consecutively, and in Arabic numerals beginning with number 1. Fig.(s) _____ 15. NUMBERING OF VIEWS. 37 CFR 1.84(u): Views not numbered consecutively, and in Arabic numerals, beginning with number 1. Fig.(s) _____ 16. CORRECTIONS. 37 CFR 1.84(w): Corrections not made from PTO-948 dated _____ 17. DESIGN DRAWINGS. 37 CFR 1.152: Surface shading shown not appropriate. Fig.(s) _____ Solid black shading not used for color contrast. Fig.(s) _____</p>
---	---

COMMENTS

REVIEWER LOD KOEHL DATE 09/29/98 TELEPHONE NO. 703 385 8404
 ATTACHMENT TO PAPER NO. 13
 PTO COPY

REMINDER

Drawing changes may also require changes in the specification, e.g., if Fig. 1 is changed to Fig. 1A, Fig. 1B, Fig. 1C, etc., the specification, at the Brief Description of the Drawings, must likewise be changed. Please make such changes by 37 CFR 1.312 Amendment at the time of submitting drawing changes.

INFORMATION ON HOW TO EFFECT DRAWING CHANGES

1. Correction of Informalities--37 CFR 1.85

File new drawings with the changes incorporated therein. The application number or the title of the invention, inventor's name, docket number (if any), and the name and telephone number of a person to call if the Office is unable to match the drawings to the proper application, should be placed on the back of each sheet of drawings in accordance with 37 CFR 1.84(e). Applicant may delay filing of the new drawings until receipt of the Notice of Allowability (PTOL-37). Extensions of time may be obtained under the provisions of 37 CFR 1.136. The drawing should be filed as a separate paper with a transmittal letter addressed to the Drawing Review Branch.

2. Timing of Corrections

Applicant is required to submit **acceptable** corrected drawings within the three-month shortened statutory period set in the Notice of Allowability (PTOL-37). If a correction is determined to be unacceptable by the Office, applicant must arrange to have acceptable correction resubmitted within the original three-month period to avoid the necessity of obtaining an extension of time and paying the extension fee. Therefore, applicant should file corrected drawings as soon as possible.

Failure to take corrective action within set (or extended) period will result in **ABANDONMENT** of the Application.

3. Corrections other than Informalities Noted by the Drawing Review Branch on the Form PTO 948

All changes to the drawings, other than informalities noted by the Drawing Review Branch, **MUST** be approved by the examiner before the application will be allowed. No changes will be permitted to be made, other than correction of informalities, unless the examiner has approved the proposed changes.

Notice of References Cited

Application No. 917761 Applicant(s) Ballemo
 Examiner S. Campalossi Group Art Unit 2746

Page of

U.S. PATENT DOCUMENTS

* DOCUMENT NO.	DATE	NAME	CLASS	SUBCLASS
A 4,500,750	2/19/85	Elander et al	380	24
B 4,578,530	3/25/86	Reidler	380	24
C 4,912,762	3/29/90	Lee et al	380	24
D				
E				
F				
G				
H				
I				
J				
K				
L				
M				

FOREIGN PATENT DOCUMENTS

* DOCUMENT NO.	DATE	COUNTRY	NAME	CLASS	SUBCLASS
N					
O					
P					
Q					
R					
S					
T					

NON-PATENT DOCUMENTS

* DOCUMENT (Including Author, Title, Source, and Pertinent Pages)	DATE
U	
V	
W	
X	

* A copy of this reference is not being furnished with this Office action.
 (See Manual of Patent Examining Procedure, Section 707.06(a).)

GP 3642



**MCGUIRE WOODS
BATTLÉ & BOOTHÉ LLP**

One James Center
901 East Cary Street
Richmond, Virginia 23219-4030
Telephone/TDD (804) 775-1000 • Fax (804) 775-1061

Mark A. Taylor
Direct Dial: (804) 775-4388

October 2, 1998

Assistant Commissioner for Patents
Box Non-Fee Amendment
Washington, D.C. 20231

Dear Sir:

Transmitted herewith for filing is a Submission in connection with the patent application of:

Inventors: Claudio R. Ballard
For: REMOTE IMAGE CAPTURE WITH
CENTRALIZED PROCESSING AND STORAGE
Filing Date: August 27, 1997
Serial No.: 08/917,761
Examiner: Cangialosi, Sal
Art Unit: 3642
Attorney Docket No.: 2000976-0009

Enclosed are:

- Submission;
- Supplemental Power of Attorney;
- Statement Under 37 CFR 3.73(b);
- Express Mail Certificate; and
- a self-addressed stamped return postcard.

The Commissioner is hereby authorized to charge any additional fees, which may be required, or credit any over payment to Account No. 13-0437.

Respectfully submitted,

Mark A. Taylor
Registration No. 35,706

cc: J. Michael Martinez
WRC51194\buchananL\Melzer\Trans for Submission 10-2-98.doc

www.mwbb.com

ALBANY • BALTIMORE • BRISBANE • CHARLOTTE • CHARLOTTEVILLE • CHICAGO • JACKSONVILLE • MASSOW • NORFOLK • RICHMOND • TYSONS CORNER • WASHINGTON • ZÜRICH (OF COURSE)

RECEIVED
98 OCT -9 PM 2:42
GROUP 2100



From: Claudio R. Ballard For: Mark A Taylor - McGuire Woods

Date: 9/29/99

1:50 PM

SEARCHED INDEXED
SERIALIZED FILED
OCT 29 1999
FBI - MEMPHIS
Page 2 of 3
[Handwritten initials]

IN THE UNITED STATES PATENT AND TRADEMARK OFFICE RECEIVED

In the patent application of: Claudio R. Ballard

JAN 14 1999

Group 2700

Serial No. 08/ 917,761
Filed: August 27, 1997
Att Unit ~~3647~~ 2742
Examiner: Carter, M
Attorney Docket No.: 2000976-0009
FOR: REMOTE IMAGE CAPTURE WITH CENTRALIZED PROCESSING AND STORAGE

Commissioner for Patents
Washington, D.C. 20231

SUPPLEMENTAL POWER OF ATTORNEY

Sir

I hereby appoint J. Michael Martinez de Audino, Reg. No. 37,178; Mark A Taylor, Reg. No. 35,706; Philip D. Lane, Reg. No. 41,140 and David E. Baker, 42,285, all attorneys of the firm of McGuire, Woods, Battle & Booth LLP, One James Center, 901 East Cary Street, Richmond, Virginia 23219, telephone number (804) 775-1033, as supplemental attorneys to prosecute the application identified above and transact all business in the Patent and Trademark Office connected therewith.

I represent the assignee of record of the entire interest. A certificate under 37 CFR Section 3.73(e) is enclosed.

Respectfully submitted,

Claudio R. Ballard

Claudio R. Ballard
President
CSP Holdings, LLC

Correspondence directed to:
J. Michael Martinez de Audino, Esquire
McGuire Woods Battle & Booth LLP
One James Center
901 East Cary Street
Richmond, Virginia 23219-4030
Telephone: (804) 775-1033
FBI/USPTO Mailroom/Supplemental Power of Att. div.

DTC000148

D 066851



R Ballard To Mark A Taylor - MScout Woods

Date: 9/29/98 Time

1:30 PM

Page 3 of 3

Approved for use through 2012/2500 OMB 0543-011
Patent and Trademark Office U.S. DEPARTMENT OF COMMERCE
Under the Espionage Reduction Act of 1994, no person may disclose to anyone in a collection of information in case 1, a serial, a series, a value, OMB control number.

STATEMENT UNDER 37 CFR 3.72(b)

Applicant/Parent Owner: Claudio R. Ballard

Application No./Parent No.: 08/917,761 Filing Issue Date: August 27, 1997

Entitled: REMOTE IMAGE CAPTURE WITH CENTRALIZED PROCESSING AND STORAGE

CSP Holdings, LLC a corporation

(Name of Assignee) (Type of Assignee, e.g. corporation, partnership, university, government agency, etc.)

states that it is:

- 1. the assignee of the entire right, title, and interest; or
- 2. an assignee of an undivided part interest

In the patent application/patent identified above by virtue of either:

A. An assignment from the inventor(s) of the patent application/patent identified above. The assignment was recorded in the Patent and Trademark Office at Reel 9203, Frame 0975, or for which a copy thereof is attached.

OR

B. A chain of title from the inventor(s) of the patent application/patent identified above, to the current assignee as shown below:

1. From: _____ To: _____
 The document was recorded in the Patent and Trademark Office at
 Reel _____, Frame _____, or for which a copy thereof is attached.

2. From: _____ To: _____
 The document was recorded in the Patent and Trademark Office at
 Reel _____, Frame _____, or for which a copy thereof is attached.

3. From: _____ To: _____
 The document was recorded in the Patent and Trademark Office at
 Reel _____, Frame _____, or for which a copy thereof is attached.

Additional documents in the chain of title are listed on a supplemental sheet.

Copies of assignments or other documents in the chain of title are attached.

NOTE: A separate copy (e.g., the original assignment document or a true copy of the original document) must be submitted to Assignment Division in accordance with 37 CFR Part 2, if the assignment is to be recorded in the records of the PTO. See MPEP 302-302.81.

The undersigned (whose title is supplied below) is empowered to sign this statement on behalf of the assignee.

September 30, 1998 _____
Date Signature

Claudio R. Ballard
Typed or printed name

President

Title

Burden Hour Statement: This form is estimated to take 0.2 hours to complete. Time will vary depending upon the nature of the individual case. Any comments on the amount of time you are required to complete this form should be sent to the Chief Information Officer, Patent and Trademark Office, Washington, DC 20231. DO NOT SEND FEES OR COMPLETED FORMS TO THIS ADDRESS. SEND TO: Assistant Commissioner for Patents, Washington, DC 20231.

DTC000149

D 066852



Certification Under 37 C.F.R. 3.73(b)

EXPRESS MAIL

RECEIVED
JAN 14 1999
Group 2700

Enclosed for filing is a Submission for NITROGEN OXIDES REDUCING
AFTERCOOLER FOR TURBOCHARGED ENGINES, Supplemental Power of
Attorney, and Statement Under 37 CFR 3.73(b), along with a transmittal letter
and a self-addressed return postcard.

"Express Mail" mailing Label No. EM39538947US

Date of Deposit 1 0/1/98

I hereby certify that this paper or fee is being deposited with the United States
Postal Service "Express Mail Post Office to Addressee" service under 37 C.F.R.
1.10 on the date indicated above and is addressed to the Commissioner for
Patents, Washington, D.C. 20231.

Diane F. Petree

(Name of Person Mailing Paper or Fee)

Diane F. Petree
Signature of person mailing or fee

IN THE UNITED STATES PATENT AND TRADEMARK OFFICE

In the patent application of:

Claudio R. Ballard

Serial No.:

08/917,761

Filed:

August 27, 1997

Art Unit:

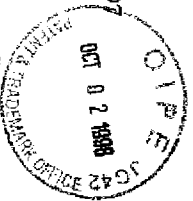
3642

Examiner:

Cangialosi, Sal

Attorney Docket No.: 2000976-0009

For: REMOTE IMAGE CAPTURE WITH CENTRALIZED PROCESSING AND STORAGE



1000-7 10012

Assistant Commissioner for Patents

Box Non-Fee Amendment

Washington, D.C. 20231

October 2, 1998

SUBMISSION

Sir:

The undersigned herein respectfully submits the enclosed Supplemental Power of Attorney and accompanying Statement Under 37 CFR 3.73(b) for entry into the above captioned application. The enclosed Supplemental Power of Attorney does not revoke the present power of attorney assigned in the present application. Rather, the document is intended to supplement the presently assigned attorney powers by granting power of attorney to the attorneys listed in the enclosed Supplemental Power of Attorney.

The assignee's right to present the enclosed documents for entry in the present application is established by the enclosed Statement Under 37 CFR 3.73(b).

It will be noted that the enclosed documents are facsimile copies reflecting a true, original signature. The original documents will be filed once they are received from the applicant.

It is therefore respectfully requested that the enclosed documents be entered in the present application.

Respectfully submitted,

Mark A. Taylor

Mark A. Taylor
Attorney for Applicant
Registration No. 35,706

RECEIVED
98 OCT -9 PM 2:42
GROUP 2700

DTC000151

D 066854

Assistant Commissioner for Patents
Serial No.: 08/917761
October 2, 1998
Page No. 2



Correspondence directed to:
Mark A. Taylor, Esquire
McGuire Woods Battle & Boothe LLP
One James Center
901 East Cary Street
Richmond, Virginia 23219-4030
Telephone: (804) 775-4338
Facsimile: (804) 698-2244

cc: J. Michael Martinez, Esq.

MRCS\1104\Buchanan\A\Meza\Submission 10-2-98.doc

RECEIVED
98 OCT -9 PM 2:42
GROUP 2700

DTC000152

D 066855



**MCQUIREWOODS
BATTLE & BOOTH LLP**

One James Center
501 East Cary Street
Richmond, Virginia 23219-4030
Telephone/1DD (804) 775-1000 • Fax (804) 775-1061

Mark A. Taylor
Direct Dial: (804) 775-4338

February 5, 1999

RECEIVED
FEB 11 1999
GROUP 2700

Via Express Mail, Receipt #EM395855898US
Assistant Commissioner for Patents
Box NON-FEE AMENDMENT
Washington, D.C. 20231

Dear Sir:

Transmitted herewith for filing is an Amendment and Response to the Office Action dated December 29, 1998 in connection with the patent application of:

Inventors: Claudio R. Ballard
For: REMOTE IMAGE CAPTURE WITH
CENTRALIZED PROCESSING AND STORAGE
Filing Date: August 27, 1997
Serial No.: 08/917,761
Examiner: Cangialosi, S.
Art Unit: 2746
Attorney Docket No.: 2000976-0009

Enclosed are:

- Amendment and Response;
- Express Mail Certificate; and
- a self-addressed stamped return postcard.

The Commissioner is hereby authorized to charge any additional fees, which may be required, or credit any over payment to Account No. 13-0437.

Respectfully submitted,

Mark A. Taylor
Registration No. 35,706

cc: J. Michael Martinez
VRCS\1104\buchanan\J.Melva\Amend respns trans.doc

www.mwh.com

ALABAMA • BALTIMORE • BRISBANE • CHARLOTTE • CHATTANOOGA • CHICAGO • JACKSONVILLE • MOSCOW • NORFOLK • RICHMOND • TISSONS CORNER • WASHINGTON • ZÜRICH (OF COURSE)

GAU 2746



IN THE UNITED STATES PATENT AND TRADEMARK OFFICE

In the US Patent Application of:

Claudio R. Ballard

Serial No.: 08/917,761

Filed: August 27, 1997

Art Unit: 2746

Examiner: S. Cangialosi

For: REMOTE IMAGE CAPTURE

WITH CENTRALIZED

PROCESSING AND STORAGE

Att. Docket No.: 2000976-0009

February 5, 1999

#15/19
2/12/99
98

RECEIVED
FEB 11 1999
Group 2700

AMENDMENT AND RESPONSE

Assistant Commissioner for Patents
BOX NON-FEE AMENDMENT
Washington, D.C. 20231

Sir:

Responsive to the Office Action dated December 29, 1998, it is respectfully requested that the following amendments be entered in the present application:

In The Claims:

Please amend the claims as follows:

1. (Amended) A system for central management, storage and report generation of remotely captured paper transactions from documents and receipts comprising:
 - one or more remote data access subsystems for capturing and sending paper transaction data and subsystem identification information comprising at least one imaging subsystem for capturing the documents and receipts and at least one data access controller for managing the capturing and sending of the transaction data; at least one central data processing subsystem for processing, sending, verifying and storing the paper transaction data and the subsystem identification

AI
CNT

57

A
information comprising a management subsystem for managing the processing, sending and storing of the of the transaction data; and
at least one communication network for the transmission of the transaction data within and between said one or more data access subsystems and said at least one data processing subsystem, with the data access subsystem providing encrypted subsystem identification information and encrypted paper transaction data to the data processing subsystem.

RS
26. (Amended) A method for central management, storage and verification of remotely captured paper transactions from documents and receipts comprising the steps of:
capturing an image of [and sending] the paper transaction data at one or more remote locations and sending a captured image of the paper transaction data;
managing the capturing and sending of the transaction data;
collecting, processing, sending and storing the transaction data at a central location;
managing the collecting, processing, sending and storing of the transaction data;
encrypting subsystem identification information and the transaction data, and transmitting the transaction data and the subsystem identification information within and between the remote location(s) and the central location.

RS
cast
42. (Amended) A communication network for the transmission of data within and between one or more remote data processing subsystems, at least one intermediate data collecting subsystem and at least one central subsystem forming a tiered architecture wherein each of said at least one central data processing subsystem communicate with a corresponding some of said at least one data collecting subsystem and each of said at least one data collecting subsystem communicate with a corresponding some of said one or more data processing subsystems, said data processing subsystem including an imaging subsystem for capturing images of documents and receipts, comprising:

at least one first local area network for transmitting data within a corresponding one of said one or more remote subsystems;
at least one second local area network for transmitting data within a corresponding one of said at least one intermediate subsystem;
at least one third local area network for transmitting data within a corresponding one of said at least one central subsystem; and
at least one wide area network for transmitting data between said one or more remote subsystems, said at least one intermediate subsystem and said at least one central subsystem.

46. (Amended) A method for transmitting data within and between one or more remote subsystems, at least one intermediate subsystem and at least one central subsystem in a tiered manner wherein each of the central subsystems communicate with at least one [a corresponding some of the] intermediate subsystem[s] and each of the intermediate subsystems communicate with at least one [a corresponding some of the] remote subsystem[s] comprising the steps of:
capturing an image of documents and receipts and extracting data therefrom;
transmitting data within the remote locations;
transmitting data from each remote location to a corresponding intermediate location;
transmitting data within the intermediate locations;
transmitting data from each intermediate location to corresponding central locations; and
transmitting data within the central locations.

REMARKS

Reconsideration of the present application is respectfully requested in light of the foregoing amendments and the following remarks.

Claims 1-50, are presented in the present application. By the Office Action of December 28, 1998, claims 1-50 stand rejected. More specifically, claims 1-50

were rejected under 35 U.S.C. § 103 as being obvious over Owens et al., Lawlor et al., or Pitroda in view of Elander et al. or Zeidler or Lee et al.

Applicant respectfully traverses this rejection and asserts to the contrary that the claims of the present application are patentably distinct over these references, taken individually or in combination.

Applicant appreciates the courtesy extended to him by the Examiner in granting and participating in a telephonic interview on February 2, 1999. A greater understanding of the issues was achieved and this amendment is in accordance with the Examiner's suggestions during the interview.

As discussed, none of the cited references disclose, teach or suggest a secure network for document processing based on a remote image capture of paper transaction data, with encrypted communication between subsystems. Therefore, the present application presents amended claims 1, 26, 42 and 46 that clearly define the present invention over any of Owens et al., Lawlor et al., Pitroda, Elander et al., Zeidler or Lee et al, taken individually or in any combination.

Claims 2-25, 27-41, 43-45 and 47-50 are dependent claims which are now considered allowable since they depend from allowable independent claims.

Applicant respectfully asserts that the present application is now in condition for allowance and it is respectfully requested that the present application be allowed and passed to issue.

Nevertheless, should the Examiner have any further issues to discuss, it is respectfully requested that the Examiner telephone the undersigned to resolve those issues in a timely manner.

Respectfully submitted,



Mark A. Taylor
Attorney for Applicant
Registration No. 35,706
Telephone: (804) 775-4338
Fax: (804) 698-2244

Please direct all correspondence to:
J. Michael Martinez de Andino, Esquire
McGuire Woods Battle & Booth LLP
One James Center
901 East Cary Street
Richmond, VA 23219-4030
Telephone: (804) 775-1033
Fax: (804) 698-2106

\\R1C5U1\gar\buchanan\law\elzard\JCResponse3.doc



Certification Under 37 C.F.R. 1.10

EXPRESS MAIL

Enclosed for filing is an Amendment and Response to the Office Action dated December 29, 1998 in connection with the patent application of Claudio R. Ballard for a REMOTE IMAGE CAPTURE WITH CENTRALIZED PROCESSING AND STORAGE (Attorney Docket No. 2000976-0009), along with a transmittal letter, express mail certificate and a self-addressed stamped return postcard.

"Express Mail" mailing Label No. EM395855898US

Date of Deposit 02/05/1999

I hereby certify that this paper or fee is being deposited with the United States Postal Service "Express Mail Post Office to Addressee" service under 37 CFR 1.10 on the date indicated above and is addressed to the Assistant Commissioner of Patents, Box NON-FEE AMENDMENT, Washington, D.C. 20231.

Tonya M. Berger

(Name of Person Mailing Paper or Fee)


Signature of person mailing



UNITED STATES DEPARTMENT OF COMMERCE
Patent and Trademark Office

NOTICE OF ALLOWANCE AND ISSUE FEE DUE

LM41/0223

J. MICHAEL MARTINEZ DE ANDINO, ESQ.
MCQUIRE, WOODS, BATTLE & BOOTHIE, LLP
ONE JAMES CENTER
901 EAST CARY STREET
RICHMOND VA 23219-4043

APPLICATION NO.	FILING DATE	TOTAL CLAIMS	EXAMINER AND GROUP ART UNIT	DATE MAILED
08/917,761	08/27/97	050	CANGIALOSI, S	2/24/98
First Named Applicant: BALLARD, 35 USD 154(b) term ext. 0 Days.				

TITLE OF INVENTION: REMOTE IMAGE CAPTURE WITH CENTRALIZED PROCESSING AND STORAGE

ATTY'S DOCKET NO.	CLASS-SUBCLASS	BATCH NO.	APPL. TYPE	SMALL ENTITY	FEE DUE	DATE DUE
2	2269-903	380-024,009	299	UTILITY	YES \$605.00	05/24/98

THE APPLICATION IDENTIFIED ABOVE HAS BEEN EXAMINED AND IS ALLOWED FOR ISSUANCE AS A PATENT. PROSECUTION ON THE MERITS IS CLOSED.

THE ISSUE FEE MUST BE PAID WITHIN THREE MONTHS FROM THE MAILING DATE OF THIS NOTICE OR THIS APPLICATION SHALL BE REGARDED AS ABANDONED. THIS STATUTORY PERIOD CANNOT BE EXTENDED.

HOW TO RESPOND TO THIS NOTICE:

I. Review the SMALL ENTITY status shown above. If the SMALL ENTITY is shown as YES, verify your current SMALL ENTITY status:

- A. If the status is changed, pay twice the amount of the FEE DUE shown above and notify the Patent and Trademark Office of the change in status, or
- B. If the status is the same, pay the FEE DUE shown above.

If the SMALL ENTITY is shown as NO:

- A. Pay FEE DUE shown above, or
- B. File verified statement of Small Entity Status before, or with, payment of 1/2 the FEE DUE shown above.

II. Part B-Issue Fee Transmittal should be completed and returned to the Patent and Trademark Office (PTO) with your ISSUE FEE. Even if the ISSUE FEE has already been paid by charge to deposit account, Part B Issue Fee Transmittal should be completed and returned. If you are charging the ISSUE FEE to your deposit account, section "4b" of Part B-Issue Fee Transmittal should be completed and an extra copy of the form should be submitted.

III. All communications regarding this application must give application number and batch number. Please direct all communications prior to issuance to Box ISSUE FEE unless advised to the contrary.

IMPORTANT REMINDER: Utility patents issuing on applications filed on or after Dec. 12, 1980 may require payment of maintenance fees. It is patentee's responsibility to ensure timely payment of maintenance fees when due. PATENT AND TRADEMARK OFFICE COPY

**McGURE WOODS
BATTLE & BOOTH LLP**

One James Center
901 East Cary Street
Richmond, Virginia 23219-4030
Telephone/FDD (804) 775-1000 • Fax (804) 775-1061
J. MICHAEL MARTINEZ DE ANDINO
(804) 775-1033



BFB

February 25, 1999

VIA EXPRESS MAIL
LABEL NO.: EM395358244US
Assistant Commissioner for Patents
Box ISSUE FEE
Washington, D. C. 20231

Re: Issue Fee Payment – CSP Holdings, LLC
Claudio R. Ballard - Serial No. 08/917, 761
C/M #: 2000976-0009

Dear Sir:

Transmitted herewith for filing is the Issue Fee for the Patent Application of:

Inventor: Claudio R. Ballard

For: REMOTE IMAGE CAPTURE WITH CENTRALIZED PROCESSING
AND STORAGE

Filed: August 27, 1997

Serial No: 08/917,761

Enclosed are:

- ✘ Issue Fee Transmittal;
- ✘ Check number 628214 in the amount of \$605.00 for fees;
- ✘ self-addressed stamped return postcard; and
- ✘ a Certificate of Mailing.

Respectfully submitted,

J. Michael Martinez de Andino

J. Michael Martinez de Andino
Reg. No. 37,178

tmb
Enclosures

MAR 5 1999

www.mwb.com

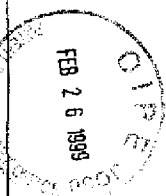
ALBANY • BALTIMORE • BRISBANE • CHARLOTTE • CHICAGO • CINCINNATI • DENVER • HOUSTON • LOS ANGELES • MEMPHIS • MIAMI • MINNEAPOLIS • NEW YORK • OMAHA • PHOENIX • RICHMOND • ST. LOUIS • TAMPA • WASHINGTON, DC • WASHINGTON, DC (BY COURSE)

DTC000161

D 066864

PART B—ISSUE FEE TRANSMITTAL

Complete and mail this form, together with applicable fees, to: **Box ISSUE FEE**
Assistant Commissioner for Patents
 Washington, D.C. 20231



MAILING INSTRUCTIONS: This form should be used for transmitting the ISSUE FEE. Blocks 1 through 4 should be completed where appropriate. All further correspondence including the Issue Fee Receipt, the Patent, advance orders and notification of maintenance fees will be mailed to the current correspondence address as indicated unless corrected below or directed otherwise in Block 1, by (a) specifying a new correspondence address; and/or (b) indicating a separate "FEE ADDRESS" for maintenance fee notifications.
 CURRENT CORRESPONDENCE ADDRESS (Note: Legibly mark-up with any corrections or use Block 1)

Note: The certificate of mailing below can only be used for domestic mailings of the Issue Fee Transmittal. This certificate cannot be used for any other accompanying papers. Each additional paper, such as an assignment or formal drawing, must have its own certificate of mailing.
Certificate of Mailing
 I hereby certify that this Issue Fee Transmittal is being deposited with the United States Postal Service with sufficient postage for *Express* mail in an envelope addressed to the Box Issue Fee address above on the date indicated below.

EM41/0223
 J. MICHAEL MARTINEZ DE ANDINO, ESQ.
 MCGUIRE, WOODS, BATTLE & BOOTHE, LLP
 ONE JAMES CENTER
 901 EAST CARY STREET
 RICHMOND VA 23219-4043

Tonya M. Berger (Depositor's name)
Tonya M. Berger (Signature)
 2/25/99

APPLICATION NO.	FILED DATE	TOTAL CLAIMS	EXAMINER AND GROUP ART UNIT	DATE MAILED
08/917,761	08/27/97	050	CANGIALOSI, S	02/23/99
First Named Applicant: BALLARD, 35 USC 154(b) term ext. = 0 Days.				

TITLE OF INVENTION: REMOTE IMAGE CAPTURE WITH CENTRALIZED PROCESSING AND STORAGE

ATTY'S DOCKET NO.	CLASS-SUBCLASS	BATCH NO.	APPL. TYPE	SMALL ENTITY	FEE DUE	DATE DUE
2	2269-003	380-024,003	799	UTILITY	\$605.00	05/24/99

1. Change of correspondence address or indication of "Fee Address" (37 CFR 1.363). Use of PTO forms and Customer Number are recommended, but not required.
 Change of correspondence address (or Change of Correspondence Address form PTO/SB/122) attached.
 "Fee Address" indication (or "Fee Address" indication form PTO/SB/47) attached.

2. For printing on the patent front page, list (1) the names of up to 3 registered patent attorneys or agents OR, alternatively, (2) the name of a single firm (having as a member a registered attorney or agent) and the names of up to 2 registered patent attorneys or agents; if no names is listed, no name will be printed.

McGuire, Woods, Battle & Boothe LLP

3. ASSIGNEE NAME AND RESIDENCE DATA TO BE PRINTED ON THE PATENT (print or type). PLEASE NOTE: Unless an assignee is identified below, no assignee data will appear on the patent. Inclusion of assignee data is only appropriate when an assignment has been previously submitted to the PTO or is being submitted under separate cover. Completion of this form is NOT a substitute for filing an assignment.
 (A) NAME OF ASSIGNEE: CSP Holdings, Inc.

- 4a. The following fees are enclosed (make check payable to Commissioner of Patents and Trademarks):
 Issue Fee
 Advance Order - # of Copies _____

4b. The following fees or deficiency in these fees should be changed to:
 DEPOSIT ACCOUNT NUMBER 13-0437
 (ENCLOSE AN EXTRA COPY OF THIS FORM)

Please check the appropriate assignee category indicated below (will not be printed on the patent)
 Individual corporation or other private group entity government

Advance Order - # of Copies _____

The COMMISSIONER OF PATENTS AND TRADEMARKS IS requested to apply the Issue Fee to the application identified above.
 (Authorized Signatures) *William A. Blair* (Date) 2/25/99
 NOTE: The Issue Fee will not be accepted from anyone other than the applicant, a registered attorney or agent, or the assignee or other party in interest as shown by the records of the Patent and Trademark Office.

Burden Hour Statement: This form is estimated to take 0.2 hours to complete. Time will vary depending on the needs of the individual case. Any comments on the amount of time required to complete this form should be sent to the Chief Information Officer, Patent and Trademark Office, Washington, D.C. 20231. DO NOT SEND FEES OR COMPLETED FORMS TO THIS ADDRESS. SEND FEES AND THIS FORM TO: Box Issue Fee, Assistant Commissioner for Patents, Washington D.C. 20231

Under the Paperwork Reduction Act of 1995, no persons are required to respond to a collection of information unless it displays a valid OMB control number.

TRANSMIT THIS FORM WITH FEE

PTO-658 (REV 10-96) Approved for use through 08/20/99 OMB 0651-0003

Patent and Trademark Office: U.S. DEPARTMENT OF COMMERCE

DTIC000162

D 066865

PART B - ISSUE FEE TRANSMITTAL

Complete and mail this form, together with applicant fee, to: **Box ISSUE FEE Assistant Commissioner for Patents Washington, D.C. 20231**

OK

7560



MAILING INSTRUCTIONS: This form should be used for transmitting the ISSUE FEE. Blocks 1 through 4 should be completed where appropriate. All further correspondence including the Issue Fee Receipt, the Patent, advance orders and notification of maintenance fees will be mailed to the current correspondence address as indicated unless corrected below or directed otherwise in Block 1. By (a) specifying a new correspondence address; and/or (b) indicating a separate "TEE ADDRESS" for maintenance fee notifications.

CURRENT CORRESPONDENCE ADDRESS (Note: Legibly mark-up with any corrections or use Block 1)

LM41102223

J. MICHAEL MARTINEZ DE ANDINO, ESQ.
MCGUIRE, WOODS, BATTLE & BOOTHE, LLP
ONE JAMES CENTER
901 EAST CARY STREET
RICHMOND VA 23219-4048

Note: The certificate of mailing below can only be used for domestic mailings of the Issue Fee Transmittal. This certificate cannot be used for any other accompanying papers. Each additional paper, such as an assignment or formal drawing, must have its own certificate of mailing.

Certificate of Mailing

I hereby certify that this Issue Fee Transmittal is being deposited with the United States Postal Service with sufficient postage for **First-class Express** mail in an envelope addressed to the Box Issue Fee address above on the date indicated below.

Tonya M. Berger (Depositor's Name)
Tonya M Berger (Signature)
2/25/99

APPLICATION NO.	FILING DATE	TOTAL CLAIMS	EXAMINER AND GROUP ART UNIT	DATE MAILED
08/917,761	08/27/97	050	CANGIALOSI, S	02/23/99
First Named Applicant	BALLARD,	35 USC 154(b) term ext. = 0 Days.		

TITLE OF INVENTION REMOTE IMAGE CAPTURE WITH CENTRALIZED PROCESSING AND STORAGE

ATTY'S DOCKET NO.	CLASS-SUBCLASS	BATCH NO.	APPL. TYPE	SMALL ENTITY	FEE DUE	DATE DUE
2	2269-003	390-024,000	799 UTILITY	YES	\$605.00	05/24/99

- Change of correspondence address or indication of "Fee Address" (37 CFR 1.363). Use of PTO form(s) and Customer Number are recommended, but not required.
 - Change of correspondence address (or Change of Correspondence Address form PTO/SB/122) attached.
 - "Fee Address" indication (or "Fee Address" indication form PTO/SB/47) attached.
- For printing on the patent from page, list:
 - (1) the names of up to 3 registered patent attorneys or agents OR, alternatively, (2) the name of a single firm (having as a member a registered attorney or agent) and the names of up to 2 registered patent attorneys or agents. If no name is listed, no name will be printed.

- ASSIGNEE NAME AND RESIDENCE DATA TO BE PRINTED ON THE PATENT (print or type)

PLEASE NOTE: Unless an assignee is identified below, no assignee data will appear on the patent. Inclusion of assignee data is only appropriate when an assignment has been previously submitted to the PTO or is being submitted under separate cover. Completion of this form is NOT a substitute for filing an assignment.

(A) NAME OF ASSIGNEE **CSP Holdings, Inc.**

(B) RESIDENCE (CITY & STATE OR COUNTRY) **Lloyd Harbor, NY**

Please check the appropriate assignee category indicated below (will not be printed on the patent)

Individual corporation or other private group entity government

The COMMISSIONER OF PATENTS AND TRADEMARKS IS requested to apply the Issue Fee to the application identified above.

(Assigned Signatures)

 J. Michael Martinez de Andino (Date) 2/25/99

03/02/1999 TLWJ22 00000024 08917761
 01 FC:242 \$605.00 0P

Burden Hour Statement: This form is estimated to take 0.2 hours to complete. Time will vary depending on the needs of the individual case. Any comments on the amount of time required to complete this form should be sent to the Chief Information Officer, Patent and Trademark Office, Washington, D.C. 20231. DO NOT SEND FEES OR COMPLETED FORMS TO THIS ADDRESS. SEND FEES AND THIS FORM TO: Box Issue Fee Assistant Commissioner for Patents, Washington D.C. 20231

Under the Paperwork Reduction Act of 1995, no persons are required to respond to a collection of information unless it displays a valid OMB control number.

TRANSMIT THIS FORM WITH FEE

PTOL-85B (REV. 10-96) Approved for use through 06/30/99. OMB 0651-0033

Patent and Trademark Office, U.S. DEPARTMENT OF COMMERCE

DTC000163

D 066866

PTO UTILITY GRANT
Paper Number 17

The Commissioner of Patents and Trademarks

Has received an application for a patent for a new and useful invention. The title and description of the invention are enclosed. The requirements of law have been complied with, and it has been determined that a patent on the invention shall be granted under the law.

Therefore, this

United States Patent

Grants to the person(s) having title to this patent the right to exclude others from making, using, offering for sale, or selling the invention throughout the United States of America or importing the invention into the United States of America for the term set forth below, subject to the payment of maintenance fees as provided by law.

If this application was filed prior to June 8, 1995, the term of this patent is the longer of seventeen years from the date of grant of this patent or twenty years from the earliest effective U.S. filing date of the application, subject to any statutory extension.

If this application was filed on or after June 8, 1995, the term of this patent is twenty years from the U.S. filing date, subject to an statutory extension. If the application contains a specific reference to an earlier filed application or applications under 35 U.S.C. 120, 121 or 365(c), the term of the patent is twenty years from the date on which the earliest application was filed, subject to any statutory extension.

Bruce Lehman
Commissioner of Patents and Trademarks

Angelo Henry W. Deane



Form PTO-1044 (Rev. 2/87)

(RIGHT INSIDE)

PH/DM

DTIC000164

D 066967

APPROVED	OG. FIG.
BY	CLASS / SUBCLASS
DRAFTSMAN	

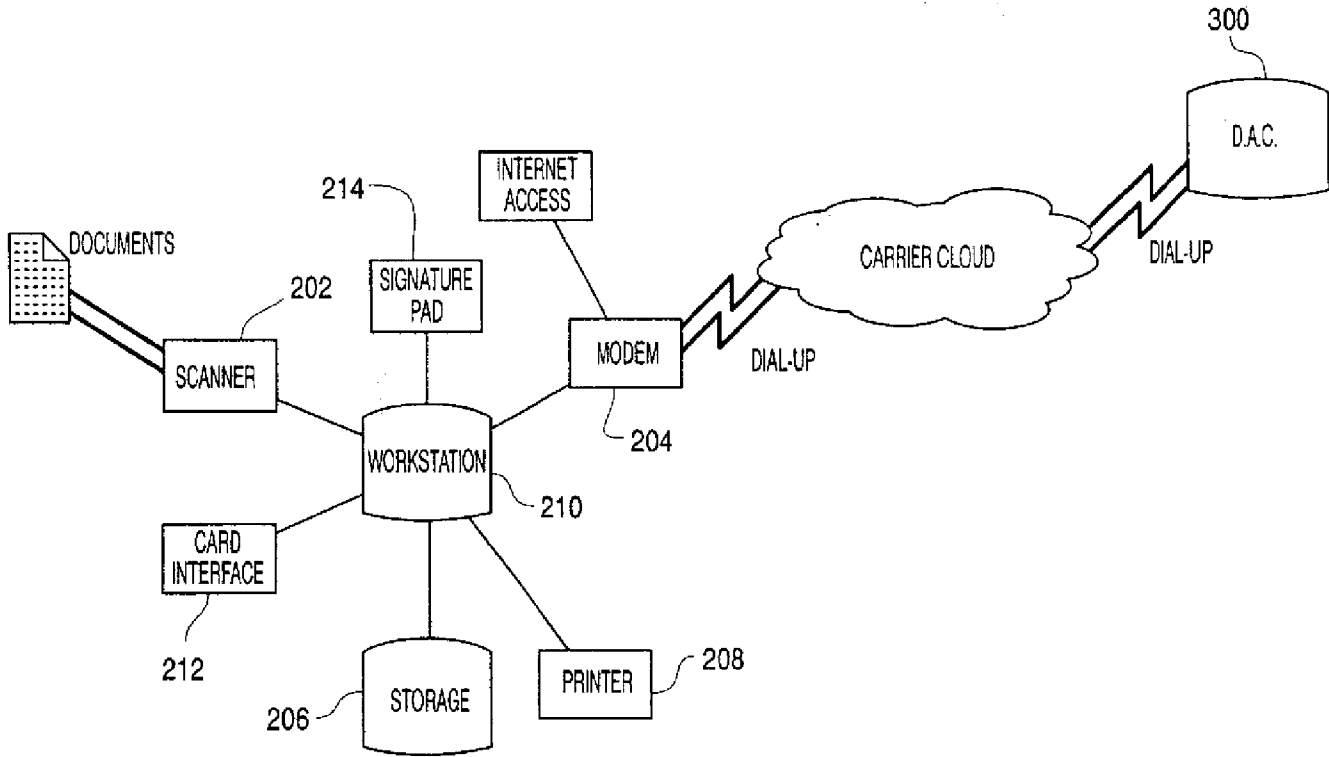


FIG. 2

APPROVED	O.G. FIG. 3A
BY	CLASS / SUBCLASS
DRAFTSMAN	580 / 24

08947347 19427680

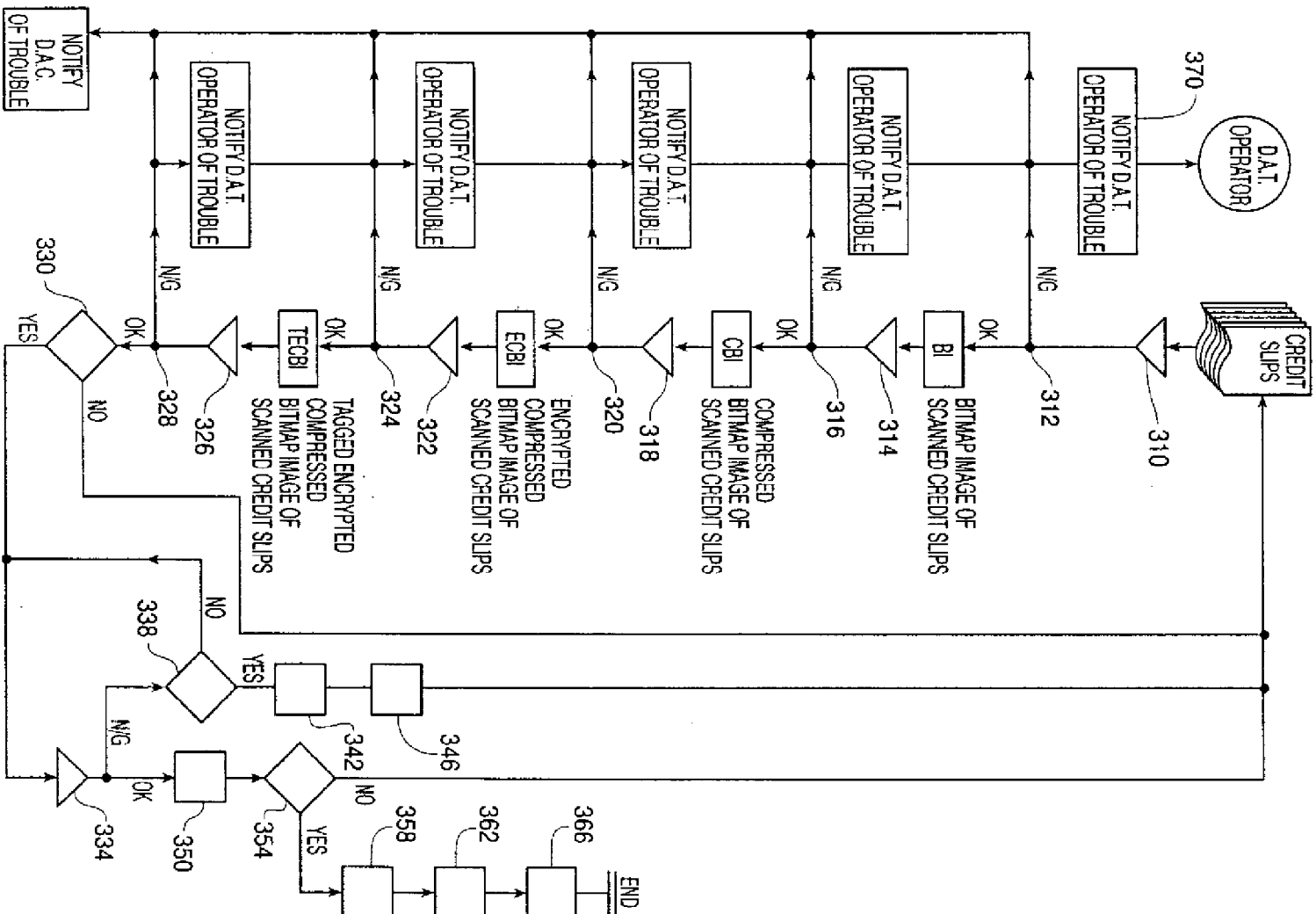
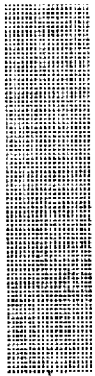


FIG. 3A

APPROVED	O.G. FIG.
BY	CLASS SUBCLASS
DRAFTSMAN	



XEROX DATAGLYPH

OFFICE DEPOT
 2110 BROAD HOLLOW ROAD
 FARMINGDALE, NY 11735
 516-844-0444

216D	9464	3305	0373 001	
SALE	06/18/97	16.42		
75608700053 BUSINESS PLAN PRO 89.99				
MFG. LIST	\$95.00			
SUBTOTAL 89.99				
TX 8.225% SALES TAX		7.42		
TOTAL 97.41				

ACCOUNT NUMBER	999988887776666
EXPIRATION DATE	01/98
VISA	97.41
CHANGE	0.00

THANK YOU FOR SHOPPING AND SAVING AT
 OFFICE DEPOT

08947394 .0882757

FIG. 3B

APPROVED	FIG.
BY	CLASS
DRAFTSMAN	SUBCLASS

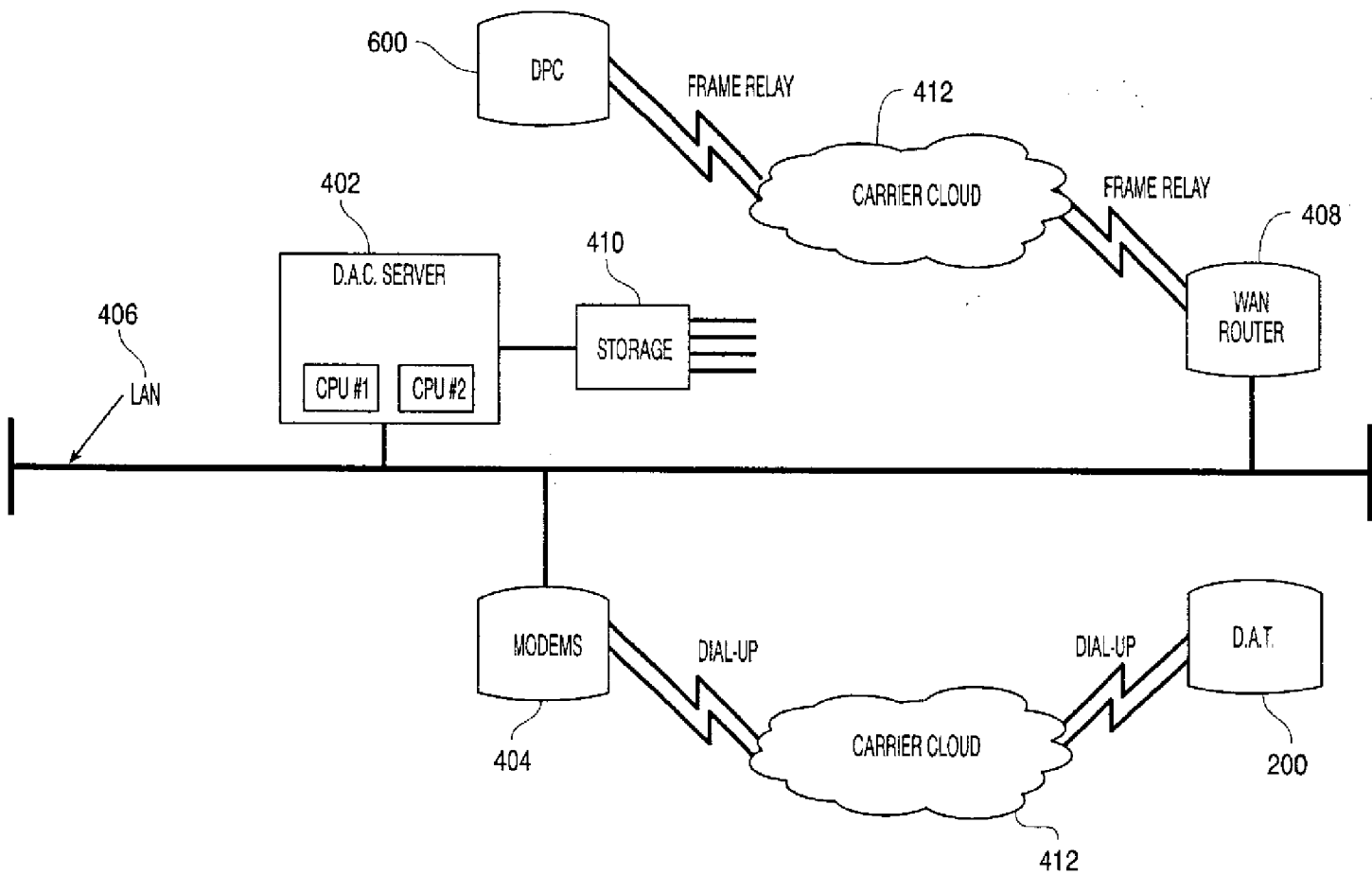


FIG. 4

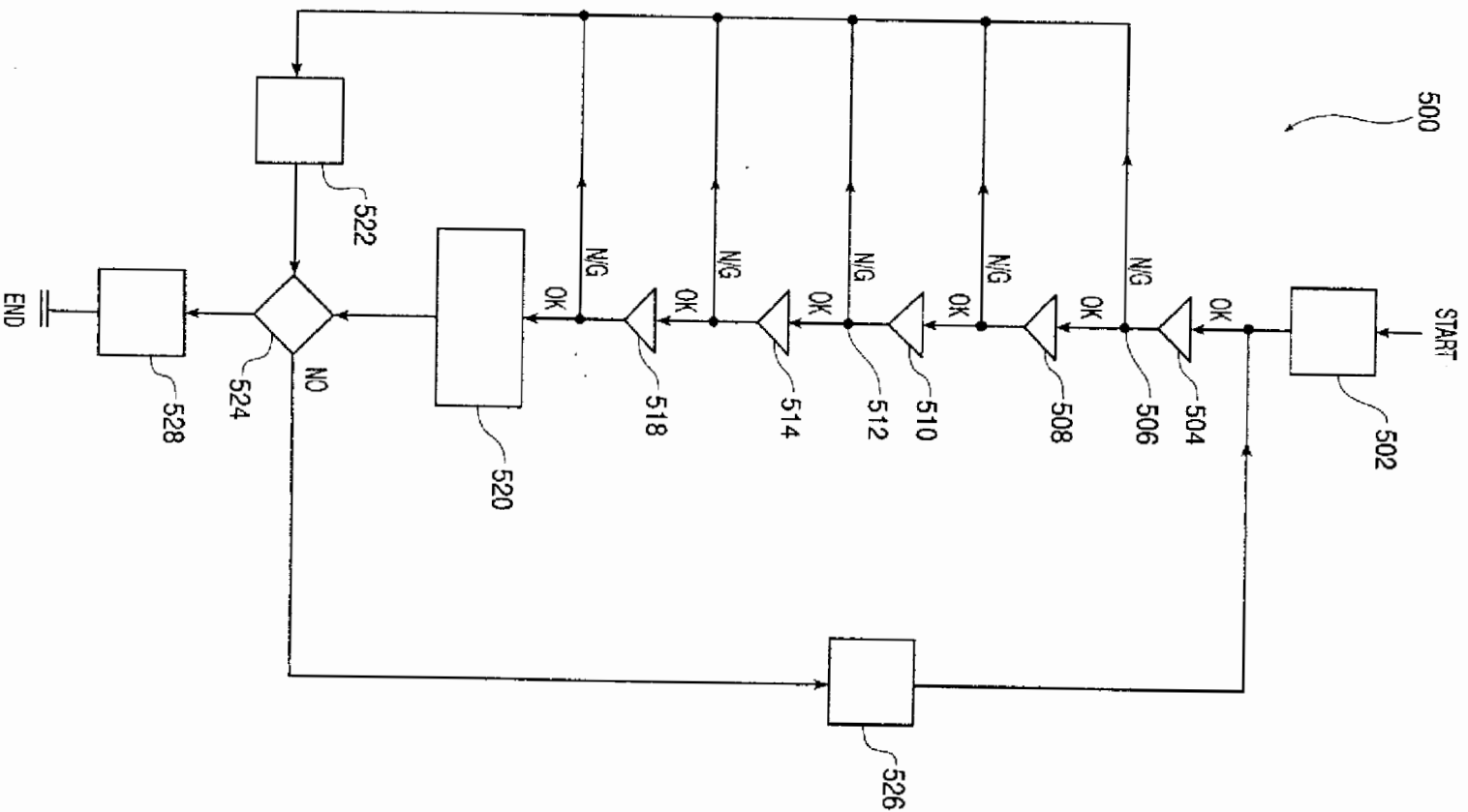


FIG. 5

DRAFTSMAN

APPROVED	O.G. FIG.	
BY	CLASS	SUBCLASS
DRAFTSMAN		

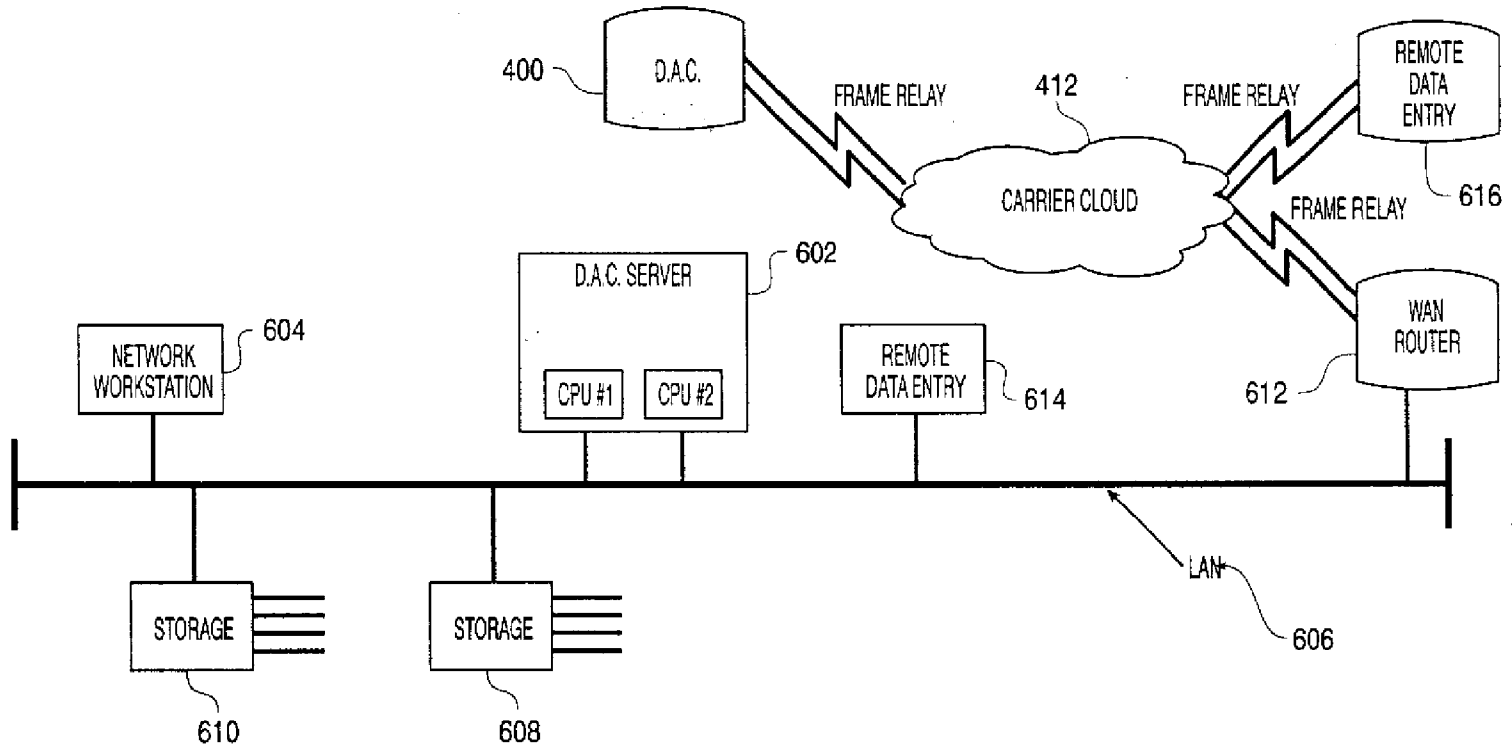


FIG. 6

APPROVED	O.G. FIG.
BY	CLASS / SUBCLASS
DRAFTSMAN	

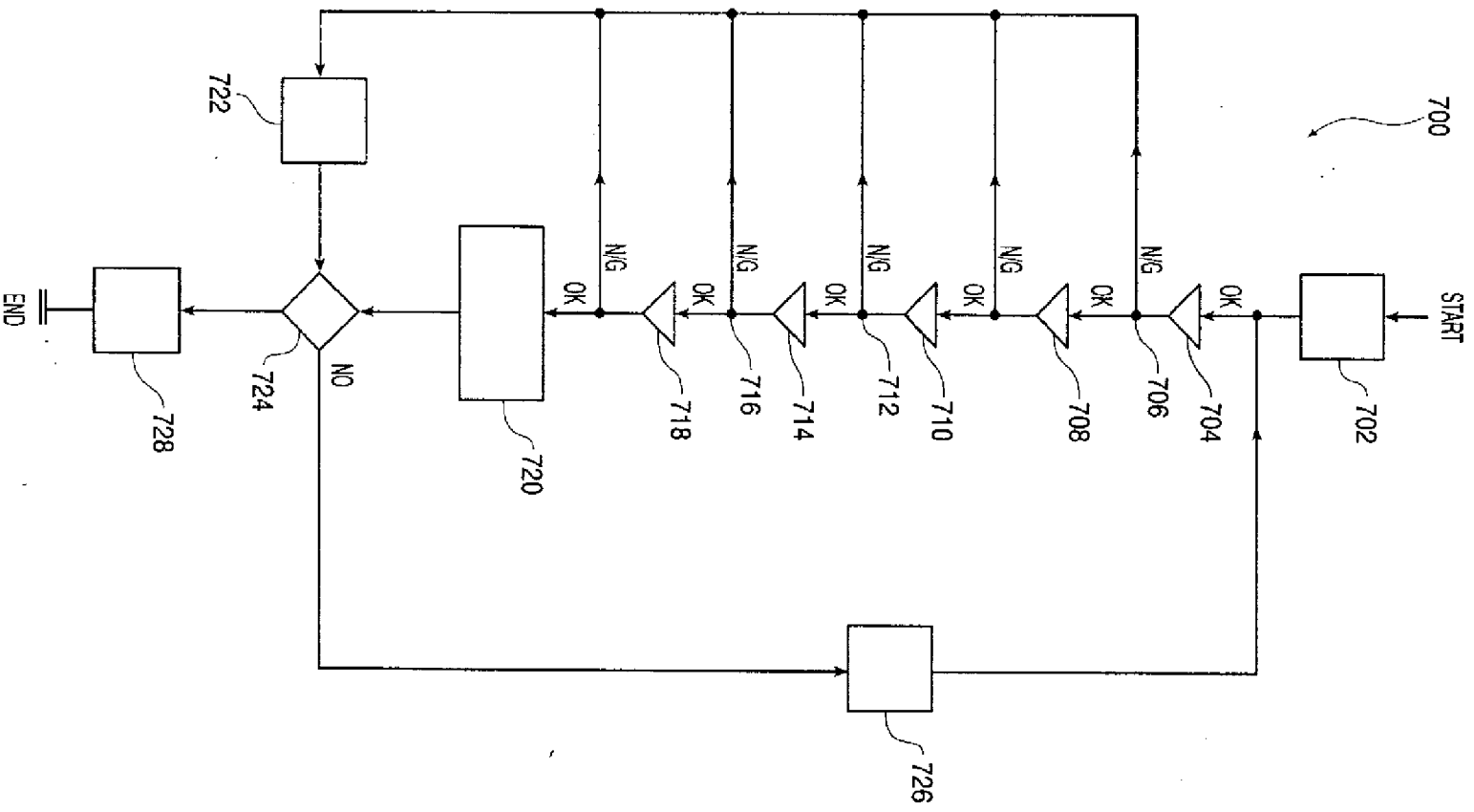
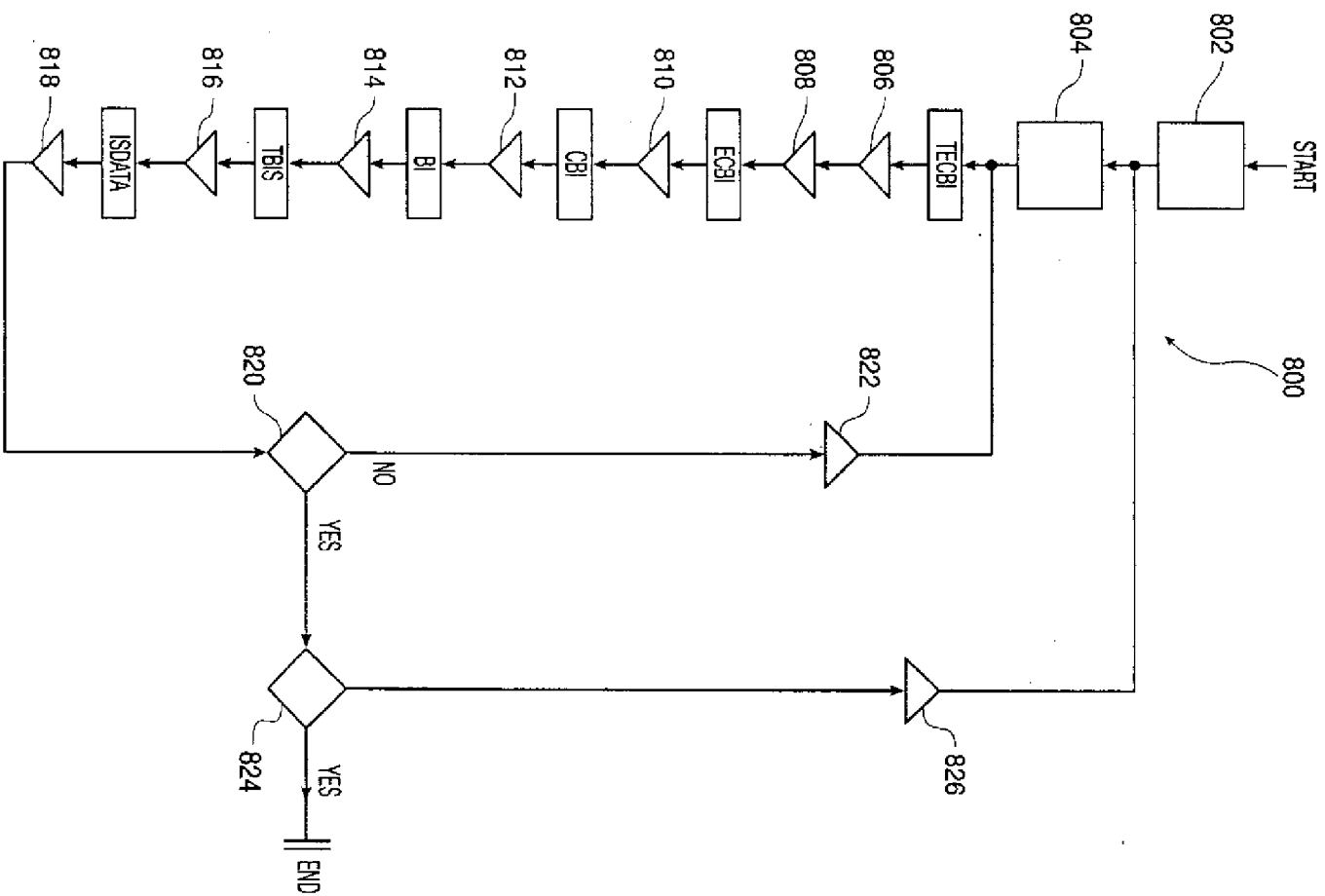


FIG. 7

08913751-082797

APPROVED	O.G. FIG.	
By	CLASS	SUBCLASS
DRAFTSMAN		



085477594 082797

FIG. 8

APPROVED	O.G. FIG.	
BY	CLASS	SUBCLASS
DRAFTSMAN		

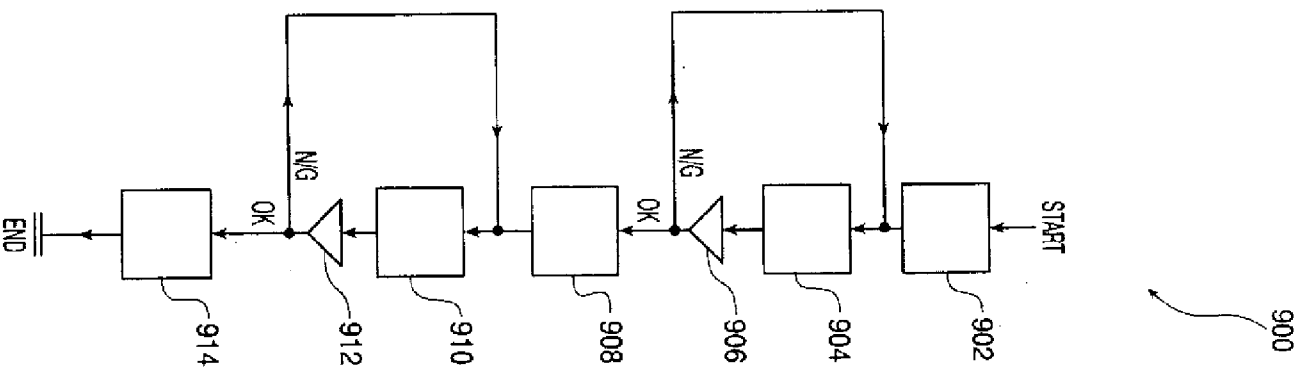


FIG. 9

066877-000000



[Handwritten signature]

CERTIFICATE OF CORRECTION OF OFFICE MISTAKE

IN THE UNITED STATES PATENT AND TRADEMARK OFFICE

In re U.S. Patent No.: 5,910,988

Inventors: Claudio R. Ballard

Serial No.: 08/917,761

Issued: June 8, 1999

For: REMOTE IMAGE CAPTURE WITH CENTRALIZED PROCESSING AND STORAGE

Examiner: S. Cangialosi
Group Art Unit: 2746

[Handwritten signature]
APPROVE

SEP 15 1999

Commissioner for Patents and Trademarks
Washington, D.C. 20231

REQUEST FOR CERTIFICATE OF CORRECTION PURSUANT TO 37 C.F.R. 1.322

[Handwritten signature]
OFFICE

Dear Sir:

JUN 28 1999

Transmitted herewith is a Certificate of Correction for U.S. Patent 5,910,988 issued on June 8, 1999. Upon reviewing the issued patent, the following errors were noted and should be corrected as follows:

On the title page, section marked [56] References Cited: Delete "4,602,936 and insert --5,602,936--.

On the title page, section marked [57] Abstract: Delete "Locations" after the words more remote and insert --location--.

Page 4, Line 26: Delete "(DACs)" after the word Collectors and insert --(DACs)--.

Page 9, Line 35: Delete "3i band" after the word FIG. and insert --3b and--.

Page 28, Line 23: Delete "subsystems" after the word remote and insert --subsystem--.

Commissioner for Patents & Trademarks

Page 2

June 16, 1999

Since this information was included with the original application as filed on August 27, 1997, this omission is the result of a Patent and Trademark Office error and no fee is due (35 U.S.C. §254).

Respectfully submitted,



Michael Martinez de Armino
Attorney for Applicant
Reg. No.: 37,178

McGuire, Woods, Bantle and Boothe LLP
One James Center
901 East Cary Street
Richmond, VA 23219-4030

DTC000176

D 066879



WGC

**McGUIRE WOODS
BATTLE & BOOTHE LLP**

One James Center
901 East Cary Street
Richmond, Virginia 23219-4030
Telephone/TDD (804) 775-1000 • Fax (804) 775-1661

J. Michael Martinez de Andino

Direct Fax No.:
(804) 698-2106

Direct Dial No.:
(804) 775-1033

E-mail Address:
jmmartin@mwbb.com

June 16, 1999

Express Mail EL190712203US

Commissioner for Patents and Trademarks
Washington, D.C. 20231

Dear Sir:

Transmitted herewith for filing is a Request for Certificate of Correction for the patent of

**RECEIVED
JUN 23 1999
OFFICE OF CERTIFICATION**

Inventor: Claudio R. Ballard
For: REMOTE IMAGE CAPTURE WITH CENTRALIZED
PROCESSING AND STORAGE

Patent No.: 5,910,988
Date of Issue: June 8, 1999
Serial No.: 08/917,761
Examiner: S. Cangialosi
Art Unit: 2746
Atty. Docket No.: 2000976-0009

Enclosed are:

- 1 Certificate of Correction of Office Mistake;
- 1 Certificate of Correction;
- 1 Express Mail Certificate; and
- 1 a self-addressed stamped return postcard.

Respectfully submitted,

CLAUDIO R. BALLARD

By: McGuire, Woods, Battle & Boothe LLP

By: *J. Michael Martinez de Andino*
J. Michael Martinez de Andino
Attorney Reg. No. 37,178

11b
Enclosures

www.mwbb.com

ALABAMA • ATLANTA • BALTIMORE • BIRMINGHAM • CHARLOTTE • CHICAGO • JACKSONVILLE • MOBILE • NORFOLK • RICHMOND • TAMPA • WASHINGTON

DTC000177

D 066880

UNITED STATES PATENT AND TRADEMARK OFFICE
CERTIFICATE OF CORRECTION

PATENT NO. : 5,910,988
DATED : June 8, 1999
INVENTOR(S) : Claudio R. Ballard

It is certified that error appears in the above-identified patent and that said Letters Patent are hereby corrected as shown below:

On the title page: Section (56) References Cited Delete "4,602,936" and insert --5,602,936--
On the title page: Abstract Delete "Locations" after the words more remote and insert --location--.

Page 4, Line 26: Delete "(DACS)" after the word Collectors and insert --(DACS)--

Page 9, Line 35: Delete "3i band" after the word in FIG. and insert --3b and--

Page 28, Line 23: Delete "subsystems" after the word remote and insert --subsystem--.

MAILING ADDRESS OF SENDER:

J. Michael Martinez de Andino
McGuire, Woods, Battle & Bouthe LLP
901 East Cary Street
Richmond, Virginia 23219

PATENT NO. 5,910,988

107

PATENT APPLICATION FEE DETERMINATION RECORD
Effective October 1, 1997

Application or Docket Number

CLAIMS AS FILED - PART I		
	(Column 1)	(Column 2)
FOR	NUMBER FILED	NUMBER EXTRA
BASIC FEE		
TOTAL CLAIMS	50	30
INDEPENDENT CLAIMS	4	1
MULTIPLE DEPENDENT CLAIM PRESENT		

* If the difference in column 1 is less than zero, enter "0" in column 2

SMALL ENTITY		OTHER THAN SMALL ENTITY	
RATE	FEE	RATE	FEE
	395.00		790.00
X\$11=		X\$22=	660
X41=		X82=	82
+135=		+270=	
TOTAL		TOTAL	1532

CLAIMS AS AMENDED - PART II			
	(Column 1)	(Column 2)	(Column 3)
CLAIMS REMAINING AFTER AMENDMENT		HIGHEST NUMBER PREVIOUSLY PAID FOR	PRESENT EXTRA
Total	*	Minus	**
Independent	*	Minus	***
FIRST PRESENTATION OF MULTIPLE DEPENDENT CLAIM			

SMALL ENTITY		OTHER THAN SMALL ENTITY	
RATE	ADDITIONAL FEE	RATE	ADDITIONAL FEE
X\$11=		X\$22=	
X41=		X82=	
+135=		+270=	
TOTAL		TOTAL	

AMENDMENT B			
	(Column 1)	(Column 2)	(Column 3)
CLAIMS REMAINING AFTER AMENDMENT		HIGHEST NUMBER PREVIOUSLY PAID FOR	PRESENT EXTRA
Total	*	Minus	**
Independent	*	Minus	***
FIRST PRESENTATION OF MULTIPLE DEPENDENT CLAIM			

SMALL ENTITY		OTHER THAN SMALL ENTITY	
RATE	ADDITIONAL FEE	RATE	ADDITIONAL FEE
X\$11=		X\$22=	
X41=		X82=	
+135=		+270=	
TOTAL		TOTAL	

AMENDMENT C			
	(Column 1)	(Column 2)	(Column 3)
CLAIMS REMAINING AFTER AMENDMENT		HIGHEST NUMBER PREVIOUSLY PAID FOR	PRESENT EXTRA
Total	*	Minus	**
Independent	*	Minus	***
FIRST PRESENTATION OF MULTIPLE DEPENDENT CLAIM			

SMALL ENTITY		OTHER THAN SMALL ENTITY	
RATE	ADDITIONAL FEE	RATE	ADDITIONAL FEE
X\$11=		X\$22=	
X41=		X82=	
+135=		+270=	
TOTAL		TOTAL	

* If the entry in column 1 is less than the entry in column 2, write "0" in column 3.
 ** If the "Highest Number Previously Paid For" in THIS SPACE is less than 20, enter "20."
 *** If the "Highest Number Previously Paid For" in THIS SPACE is less than 3, enter "3."
 The "Highest Number Previously Paid For" (Total or Independent) is the highest number found in the appropriate box in column 1.

PAGE DATA ENTRY CODING SHEET

U.S. DEPARTMENT OF COMMERCE
Patent and Trademark Office

1ST EXAMINER	DATE
2ND EXAMINER	DATE

88698 U.S. PTO
08/917761
08/27/97

APPLICATION NUMBER

TYPE APPL

FILING DATE MONTH DAY YEAR

SPECIAL HANDLING

GROUP ART UNIT

CLASS

SHEETS OF DRAWING

TOTAL CLAIMS

INDEPENDENT CLAIMS

SMALL ENTITY?

FILING FEE

FOREIGN LICENSE

ATTORNEY DOCKET NUMBER

CONTINUITY DATA

CONT STATUS CODE	PARENT APPLICATION SERIAL NUMBER	PCT APPLICATION SERIAL NUMBER	PARENT PATENT NUMBER	PARENT FILING DATE MONTH DAY YEAR
		P C T / /		
		P C T / /		
		P C T / /		
		P C T / /		
		P C T / /		

PCT/FOREIGN APPLICATION DATA

FOREIGN PRIORITY CLAIMED	COUNTRY CODE	PCT/FOREIGN APPLICATION SERIAL NUMBER	FOREIGN FILING DATE MONTH DAY YEAR

Case 2:04-cv-00085-DF Document 58 Filed 08/27/20 Page 82 of 93

LIST OF REFERENCES CITED BY APPLICANT
(Use several sheets if necessary)

SEP 03 1998
PATENT & TRADEMARK OFFICE

ATTY. DOCKET NO. 2259-003
APPLICANT Claudio R. BALLARD
FILED DATE August 27, 1997
CLASSIFICATION NO. 08/917,781
GROUP 38272746

EXAMINER INITIAL	REFERENCE NUMBER	DATE	NAME	CLASS	SUBCLASS	FIELD DATE IF APPROPRIATE
me	AA 4,201,978	05/1980	Nally	340	146.3	
me	AB 4,264,808	04/1981	Owens et al.	235	379	
me	AC 4,326,258	04/1982	de la Guardia	364	515	
me	AD 4,417,136	11/1983	Rushby et al.	235	379	
me	AE 4,457,015	06/1984	Nally et al.	382	45	
me	AF 4,523,330	06/1985	Cain	382	7	
me	AG 4,555,617	11/1985	Brooks et al.	235	379	
me	AH 4,680,803	07/1987	Dilella	382	9	
me	AI 4,747,058	05/1988	Ho	364	478	
me	AJ 4,888,812	12/1989	Dinan et al.	382	7	
me	AK 5,091,968	02/1992	Higgins et al.	382	30	
me	AL 5,159,548	10/1992	Castavka	364	408	
me	AM 5,176,682	12/1992	Higashiyama et al.	364	406	
me	AN 5,187,750	02/1993	Behara	382	7	
me	AO 5,204,811	04/1993	Bednar et al.	364	406	
me	AP 5,237,158	08/1993	Kern et al.	235	379	
me	AQ 5,274,567	12/1993	Kellin et al.	364	478	
me	AR 5,321,238	06/1994	Kamata et al.	235	379	
me	AS 5,345,090	09/1994	Hludzinski	250	566	
me	AT 5,444,794	08/1995	Uhland, Sr.	382	137	
me	AU 5,506,691	04/1996	Bednar et al.	358	402	
me	AV 5,544,043	08/1996	Miki et al.	364	406	
me	AW 5,602,936	02/1997	Green et al.	382	140	
me	AX 5,673,333	09/1997	Johnston	382	137	
me	AY 5,751,842	05/1998	Riach et al.	382	137	
me	AZ 5,754,673	05/1998	Brooks et al.	382	112	
me	BA 5,781,654	07/1998	Carney	382	137	
me	BB 5,784,503	07/1998	Blecker, III et al.	382	206	
me	BC 5,787,403	07/1998	Randle	705	43	

EXAMINER S.

Camila GSI

DATE CONSIDERED

12/98

EXAMINER: Initial if reference considered, whether or not citation is in conformance with MPEP 608; Draw line through citation if not in conformance and not considered. Include copy of this form with next communication to applicant.

SEP 10 2700 AM '98
RECEIVED



**MCGUIRE WOODS
BATTLE & BOOTH LLP**

One James Center
901 East Cary Street
Richmond, Virginia 23219-4030
Telephone/TDD (804) 775-1000 • Fax (804) 775-1061

Direct Fax No.:
(804) 698-2106

J MICHAEL MARTINEZ DE ANDINO
Direct Dial No.:
(804) 775-1033

E-mail Address:
jmmartin@mwb.com

October 23, 1998

Assistant Commissioner for Patents
Washington, D.C. 20231

Dear Sir:

Transmitted herewith is information regarding patent application of:

Inventor:	Claudio R. Ballard	Received
Serial No.:	08/917,761	OCT 30 1998
Filed:	August 27, 1997	Group 2700
Art Unit:	3642	
Examiner:	Cangialosi, Sal	
Title:	REMOTE IMAGE CAPTURE WITH CENTRALIZED PROCESSING AND STORAGE	

Enclosed herewith are:

- * Copy of Supplemental Power of Attorney as originally filed;
- * Petition to Make Special under 37 CFR \$ 1.182 and \$ 1.183;
- * Information Disclosure Statement with References;
- * PTO-1449 (modified);
- * Check in the amount of \$130.00;
- * Certificate of Express Mail;
- * and a Self-addressed, stamped return postcard.

The Commissioner is hereby authorized to charge any additional fees, which may be required, or credit any overpayment to Account No. 13-0437. Two additional copies of this sheet are attached.

Respectfully submitted,

By: J. Michael Martinez de Andino

J. Michael Martinez de Andino
Attorney for Applicants
Registration No. 37,178

Dated: October 23, 1998

www.mwb.com

ALABAMA • BALTIMORE • BRASSARD • CHARLOTTE • CHARLOTTESVILLE • CHICAGO • JACKSONVILLE • KANSAS • NORFOLK • RICHMOND • TYONE CORNER • WASHINGTON • ZION (in course)

DTC000184

D 066887



**McGUIRE WOODS
BATTLE & BOOTH LLP**

One James Center
901 East Cary Street
Richmond, Virginia 23219-4030
Telephone/TDD (804) 775-1000 • Fax (804) 775-1061

Direct Fax No.:
(804) 698-2106

J. MICHAEL MARTINEZ DE ANDINO
Direct Dial No.:
(804) 775-1033

E-mail Address:
jmmartine@mwbb.com

October 23, 1998

Assistant Commissioner for Patents
Washington, D.C. 20231

Dear Sir:

Transmitted herewith is information regarding patent application of **Received**

Inventor:	Claudio R. Ballard	OCT 30 1998
Serial No.:	08/917,761	Group 2700
Filed:	August 27, 1997	
Art Unit:	3642	
Examiner:	Cangialosi, Sai	
Title:	REMOTE IMAGE CAPTURE WITH CENTRALIZED PROCESSING AND STORAGE	

Enclosed herewith are:

- * Copy of Supplemental Power of Attorney as originally filed;
- * Petition to Make Special under 37 CFR § 1.182 and § 1.183;
- * Information Disclosure Statement with References;
- * PTO-1449 (modified);
- * Check in the amount of \$130.00;
- * Certificate of Express Mail;
- * and a Self-addressed, stamped return postcard.

The Commissioner is hereby authorized to charge any additional fees, which may be required, or credit any overpayment to Account No. 13-0437. Two additional copies of this sheet are attached.

Respectfully submitted,

By: 

J. Michael Martinez de Andino
Attorney for Applicants
Registration No. 37,178

Dated: October 23, 1998



PATENT

I hereby certify that on the date specified below, this correspondence is being deposited with the United States Postal Service as first-class mail in an envelope addressed to the Assistant Commissioner for Patents, Washington, DC 20231.

Date 2/2/98  Christopher J. Daley-Watson

IN THE UNITED STATES PATENT AND TRADEMARK OFFICE

Applicants : Karen Gross et al.
Application No. : 08/925,447
Filed : September 8, 1997
For : SINGLE TELEPHONE NUMBER ACCESS TO MULTIPLE COMMUNICATIONS

Docket No. : CDR-096-013
Date : February 2, 1998

Assistant Commissioner for Patents
Washington, DC 20231

INFORMATION DISCLOSURE STATEMENT

Sir:
In accordance with 37 C.F.R. §§ 1.56 and 1.97 through 1.98, applicants wish to make known to the Patent and Trademark Office the references set forth on the attached form PTO-1449 (copies of the cited references are enclosed). Although the aforesaid references are made known to the Patent and Trademark Office in compliance with applicants' duty to disclose all information they are aware of which is believed relevant to the examination of the above-identified application, applicants believe that the invention is patentable.

Applicants wish to disclose and have officially considered the following co-pending applications by the same assignee which have either the same or different inventors as the present application:

Application No.	Filing Date	Title
08/924,928	09/08/97	<i>Multiple Routing Options In A Telecommunications Service Platform</i>
08/925,520	09/08/97	<i>Outbound Calling Services On A Telecommunications Service Platform</i>

Application No.	Filing Date	Title
08/925,370	09/08/97	<i>Internet-Based Subscriber Profile Management Of A Communications System</i>
08/925,926	09/08/97	<i>Integrated Messaging Platform</i>
08/924,924	09/08/97	<i>Integrated Voicemail And Faxmail Platform For A Communications System</i>
08/925,925	09/08/97	<i>Virtual Private Network Access To The Communications Platform</i>
08/925,371	09/08/97	<i>Direct Distance Dialing (DDD) Access To A Communications Services Platform</i>

As to any noted reference, applicants do not admit that it is "prior art" under 35 U.S.C. §§ 102 or 103, and specifically reserve the right to antedate any such document, such as by a showing under 37 C.F.R. § 1.131 or other method.

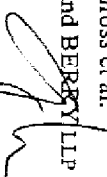
Applicants do not believe that any fee is due with this communication and no fee is being submitted. The Assistant Commissioner is hereby authorized to charge a fee in accordance with Section 1.97(c) and any other fees which may be required, or credit any overpayment to Deposit Account No. 13-2491.

Please acknowledge receipt of this Information Disclosure Statement and kindly make the cited references of record in the above-identified application.

Respectfully submitted,

Karen Gross et al.

SEED and BERRY LLP



Christopher J. Paley-Watson

Registration No. 34,807

CJD:kh

Enclosures:

2 Postcards
Form, PTO-1449

Cited References (75)

6300 Columbia Center
701 Fifth Avenue
Seattle, Washington 98104-7092
(206) 622-4900
Fax: (206) 682-6031

U:\ChrisD\5837

POSITION	ID NO.	DATE
CLASSIFIER	<i>29</i>	<i>11/8/97</i>
EXAMINER		
TYPIST	68975	
VERIFIER		
CORPS CORR.		
SPEC. HAND	<i>1013000</i>	
FILE MAINT.		
DRAFTING		

INDEX OF CLAIMS

Claim	Date
Final	
Original	
3	
4	
5	
6	
7	
8	
9	
10	
11	
12	
13	
14	
15	
16	
17	
18	
19	
20	
21	
22	
23	
24	
25	
26	
27	
28	
29	
30	
31	
32	
33	
34	
35	
36	
37	
38	
39	
40	
41	
42	
43	
44	
45	
46	
47	
48	
49	
50	

Sum →

SYMBOLS
 ✓ Rejected
 ✗ Answered
 * (through initials) Canceled
 N Non-related
 I Interference
 A Appeal
 O Obsolete

Claim	Date
Final	
Original	
51	
52	
53	
54	
55	
56	
57	
58	
59	
60	
61	
62	
63	
64	
65	
66	
67	
68	
69	
70	
71	
72	
73	
74	
75	
76	
77	
78	
79	
80	
81	
82	
83	
84	
85	
86	
87	
88	
89	
90	
91	
92	
93	
94	
95	
96	
97	
98	
99	
100	

(LEFT INSIDE)



SEARCHED

Class	Sub.	Date	Exmr.
380	25, 24	7/1998	SW
	<i>Class searched</i>	7/1999	<i>SW</i>

INTERFERENCE SEARCHED

Class	Sub.	Date	Exmr.
380	24	2/1999	<i>SW</i>

SW

SEARCH NOTES

	Date	Exmr.

(RIGHT OUTSIDE)



68998 U.S. PTO
08/917761
08/27/97

PATENT APPLICATION

08917761

APPROVED FOR LICENSE

INITIALS _____

Date Entered or Counted

CONTENTS

Date Received or Mailed

Application	papers.	Date
1. Application		
2. NOISON, EE2		1/14/98
3. SURFICE, DAVID, CRUIS, VEC.		3-5-98
4. Small Cells		2-5-98
5. ISSUED/ATT		2-4-98
6. Handbook		3-5-98
7. Verified Patent Eligibility		5-26-98
8. Handbook Patent Eligibility		September 2, 1998
9. Supp. Power of Attorney		10-2-98
10. Submission		10-8-98
11. Pet. to MK Sp. Avail. Exam.		10/23/98
12. Pet to MK Sp. Avail. Exam. Revised		11/10/98
13. Req (3) omos		12-29-98
14. Supp. P/A		10/2/98
15. Amend A		2-11-99
16. Notice of allowance		2-23-99 SA
17. PTO Grant JUN 0 8 1999		
18. Req for EJC		6-16-99
19.		
20.		
21.		
22.		
23.		
24.		
25.		
26.		
27.		
28.		
29.		
30.		
31.		
32.		

(FRONT)

A COVERBINDER COVER 1-505-003-0050
3/4" PTC-1550 for 100-150 sheets

DTC000191

D 066894