

EXHIBIT A

[Faint, illegible text, likely bleed-through from the reverse side of the page]



US006446045B1

(12) **United States Patent**
Stone et al.

(10) **Patent No.:** US 6,446,045 B1
(45) **Date of Patent:** Sep. 3, 2002

(54) **METHOD FOR USING COMPUTERS TO FACILITATE AND CONTROL THE CREATING OF A PLURALITY OF FUNCTIONS**

6,324,519 B1 * 11/2001 Eldering 705/14
2001/0011226 A1 * 8/2001 Greer et al 705/14

FOREIGN PATENT DOCUMENTS

JP 408249426 A * 9/1996 G06F1/724

OTHER PUBLICATIONS

"Groups set to unveil Web ad guidelines" Dec 9, 1996, Advertising Age, vol 67, No 50, p 1.*
"ABC formally launches Reader Profile Service as NAA unveils the NICC's silhouette" Aug 2, 1999, NewsInc, vol 11, NO 1.*
Hamblen, Matt, "Shell protects brand via net" Jan. 10, 2000, Computerworld, vol 34, No 2, p 39 *

* cited by examiner

Primary Examiner—Robert P. Olszewski

Assistant Examiner—Bryan Jaketic

(74) Attorney, Agent, or Firm—Henry Croskell, Esq

(76) Inventors: **Lucinda Stone**, 6610 Regalbluff, Dallas, TX (US) 75240; **Michael A. Dean**, 6610 Regalbluff, Dallas, TX (US) 75240

(*) Notice: Subject to any disclaimer, the term of this patent is extended or adjusted under 35 U.S.C. 154(b) by 0 days

(21) Appl. No.: 09/480,303

(22) Filed: Jan. 10, 2000

(51) Int. Cl.⁷ C06F 17/60

(52) U.S. Cl. 705/26

(58) Field of Search 705/14, 26, 27

(57) **ABSTRACT**

The present invention is a method and apparatus that allows competing as well as complementing suppliers, vendors, service providers, purveyors, and other types of sellers internal inventory management as well as controlled design and publication of presentations for external near real-time interactive access to buyer-centered presentation, sales, distribution, and confirmation systems as well as other traditional media advertising and outreach. The Automated Media Presentation Generator including a Publication and Placement Control Engine, integrates a Distributed Sales and Inventory Control structure with Processing and Communications Resource Saver, and further provides a Reservation, Access, and Verification System replacing traditional ticket and confirmation methods

23 Claims, 35 Drawing Sheets

(56) **References Cited**

U.S. PATENT DOCUMENTS

5,193,056 A	3/1993	Boes	
5,581,461 A	12/1996	Coll et al	
5,724,520 A	3/1998	Goheen	
5,794,207 A	8/1998	Walker et al	
5,797,126 A	8/1998	Helbling et al	
5,845,261 A	12/1998	McAbian	
5,878,141 A	3/1999	Daly et al	
5,884,277 A	3/1999	Khosla	
5,893,076 A	4/1999	Hafner et al.	
5,946,646 A	8/1999	Schena	
6,026,371 A *	2/2000	Beck et al	705/14
6,038,545 A *	3/2000	Mandenberg et al	705/27
6,064,967 A *	5/2000	Speicher	705/14
6,119,101 A *	9/2000	Peckover	705/14

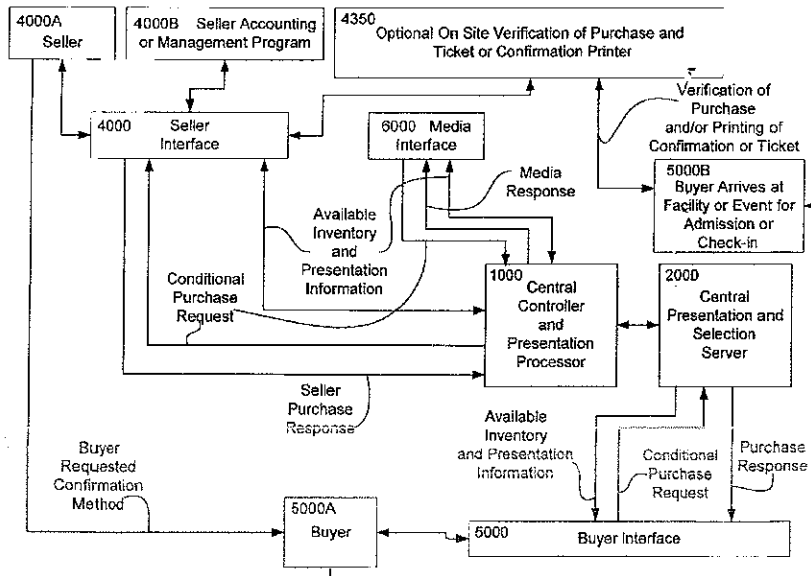


Fig. 1a

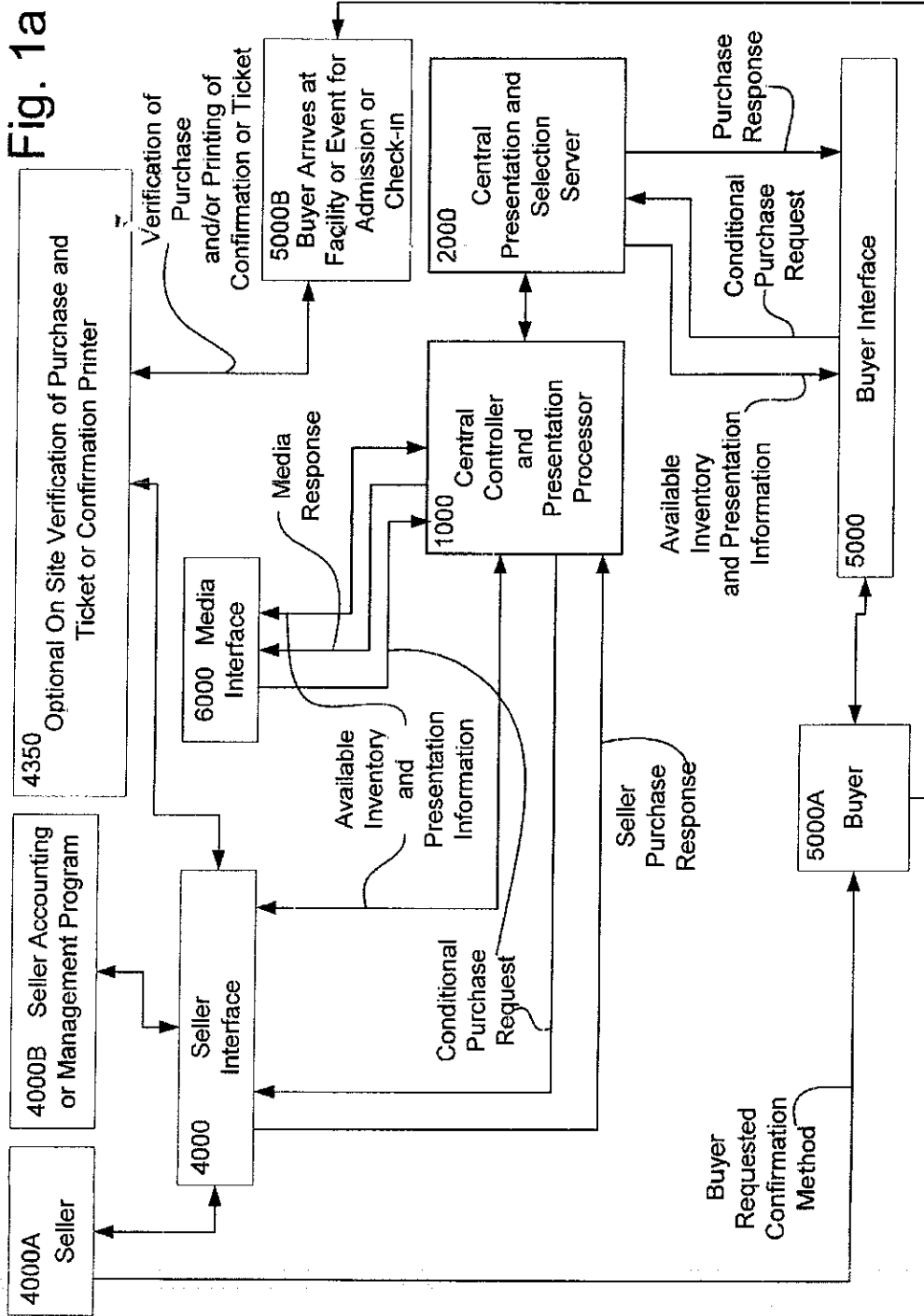


Fig. 1b

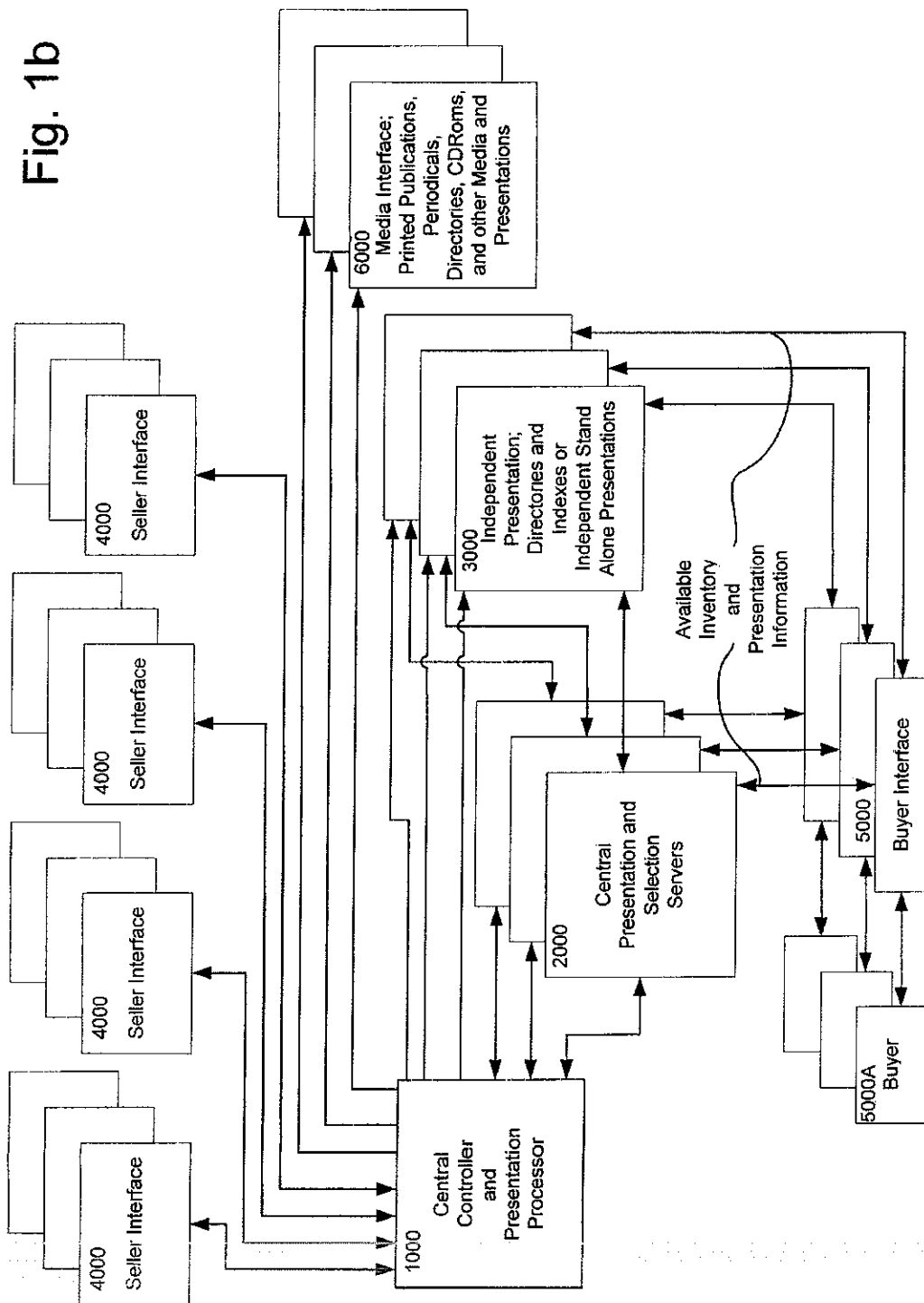


Fig. 2a

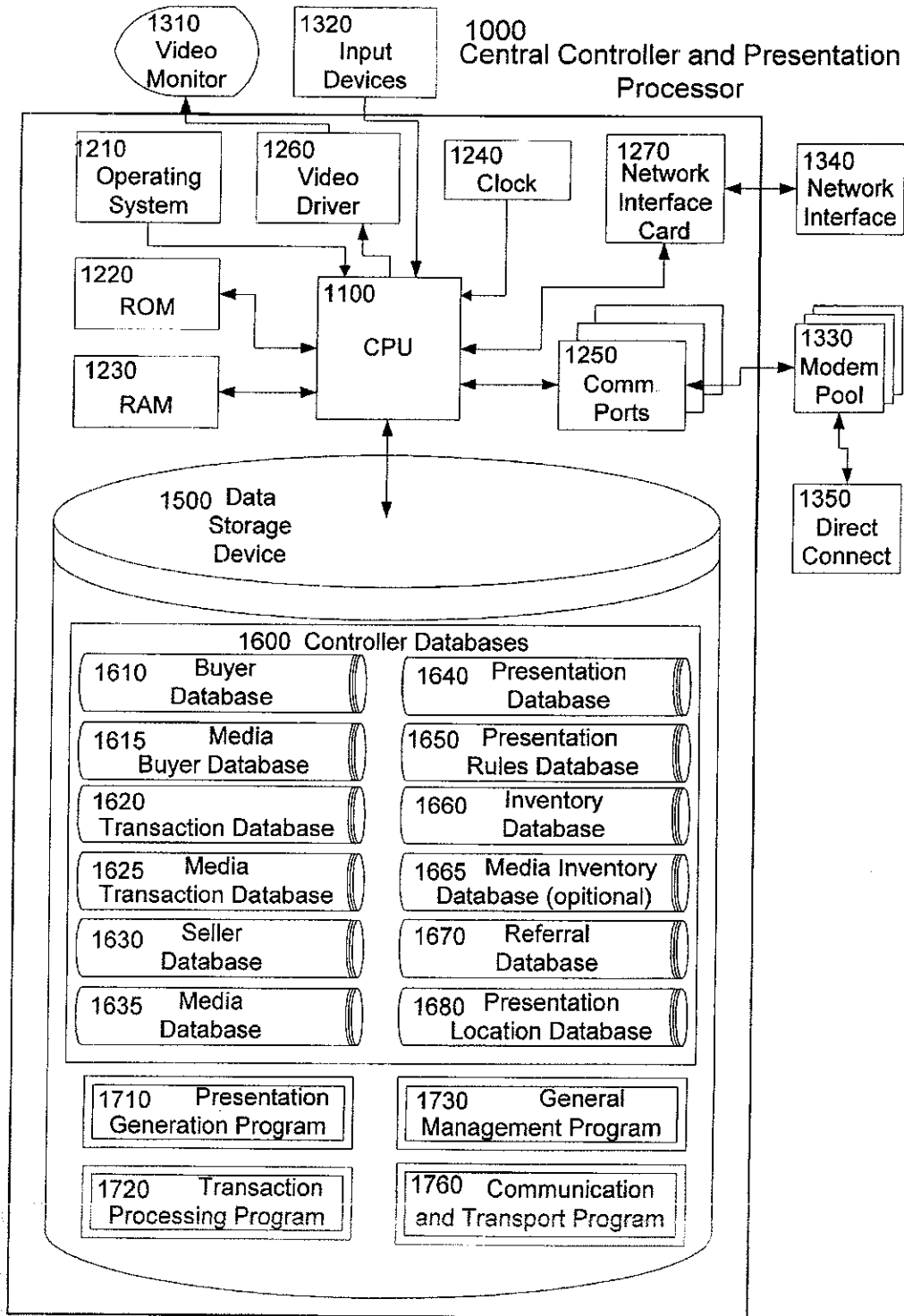


Fig. 2b

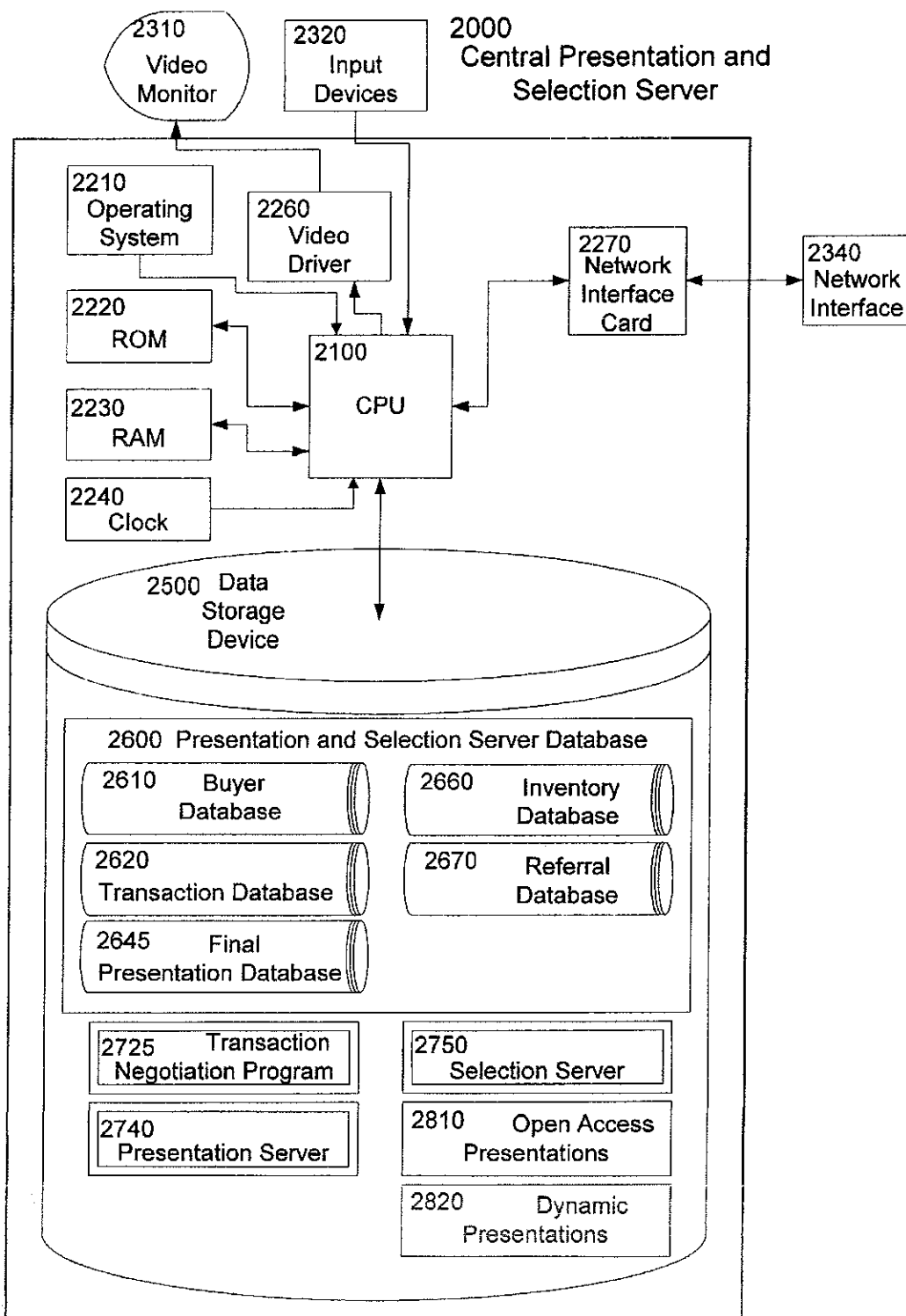


Fig. 2c

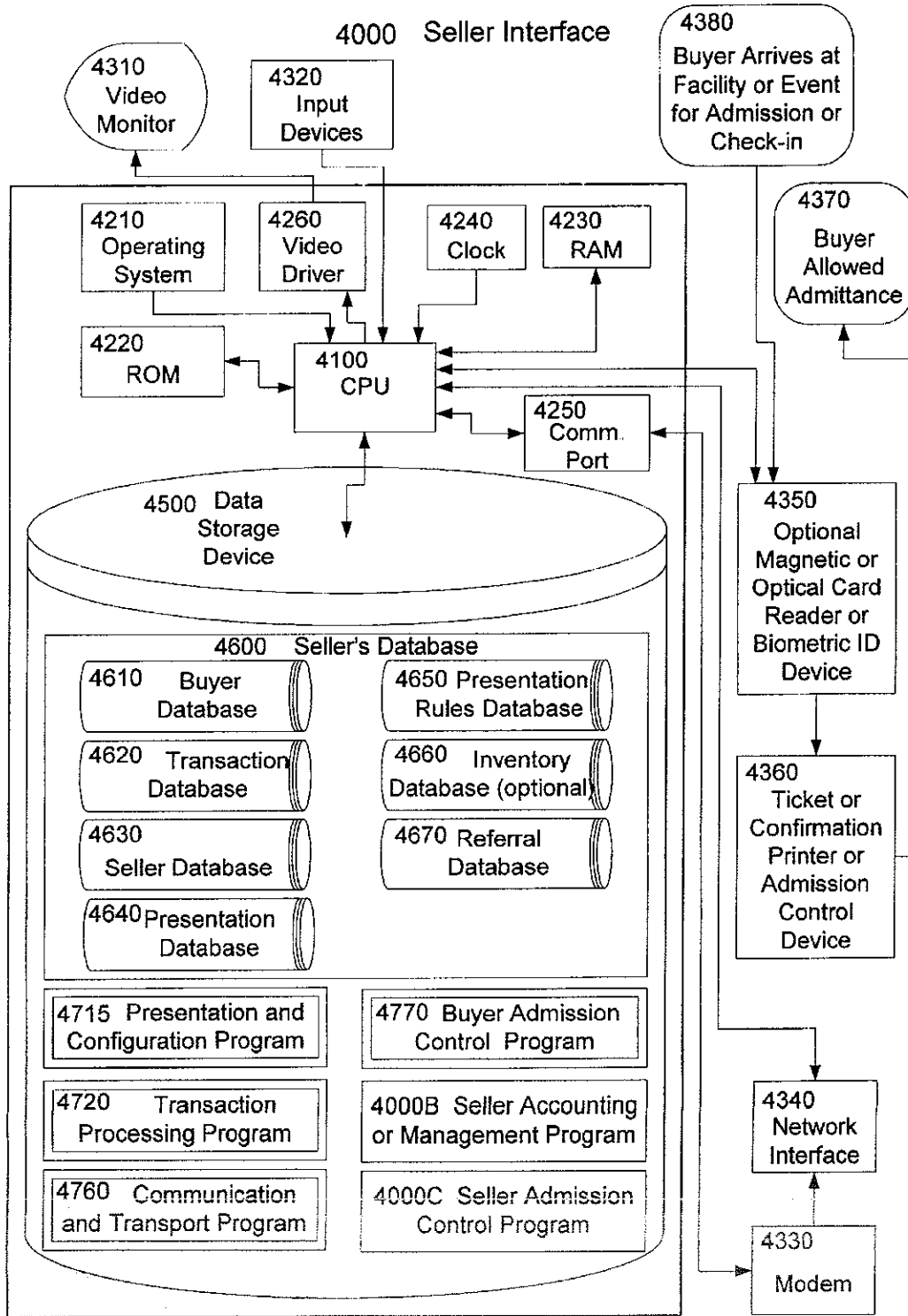


Fig. 2d

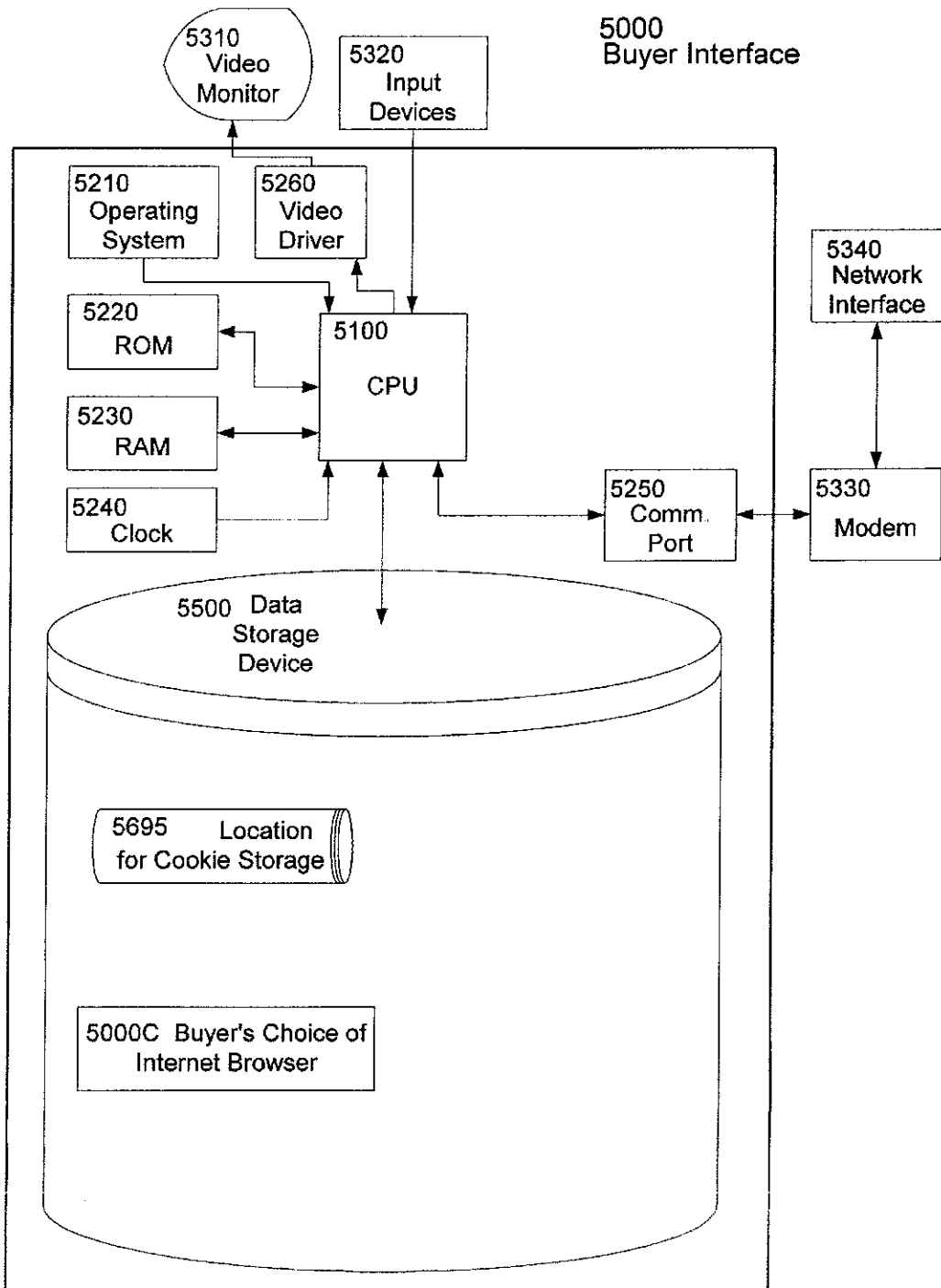


Fig. 2e

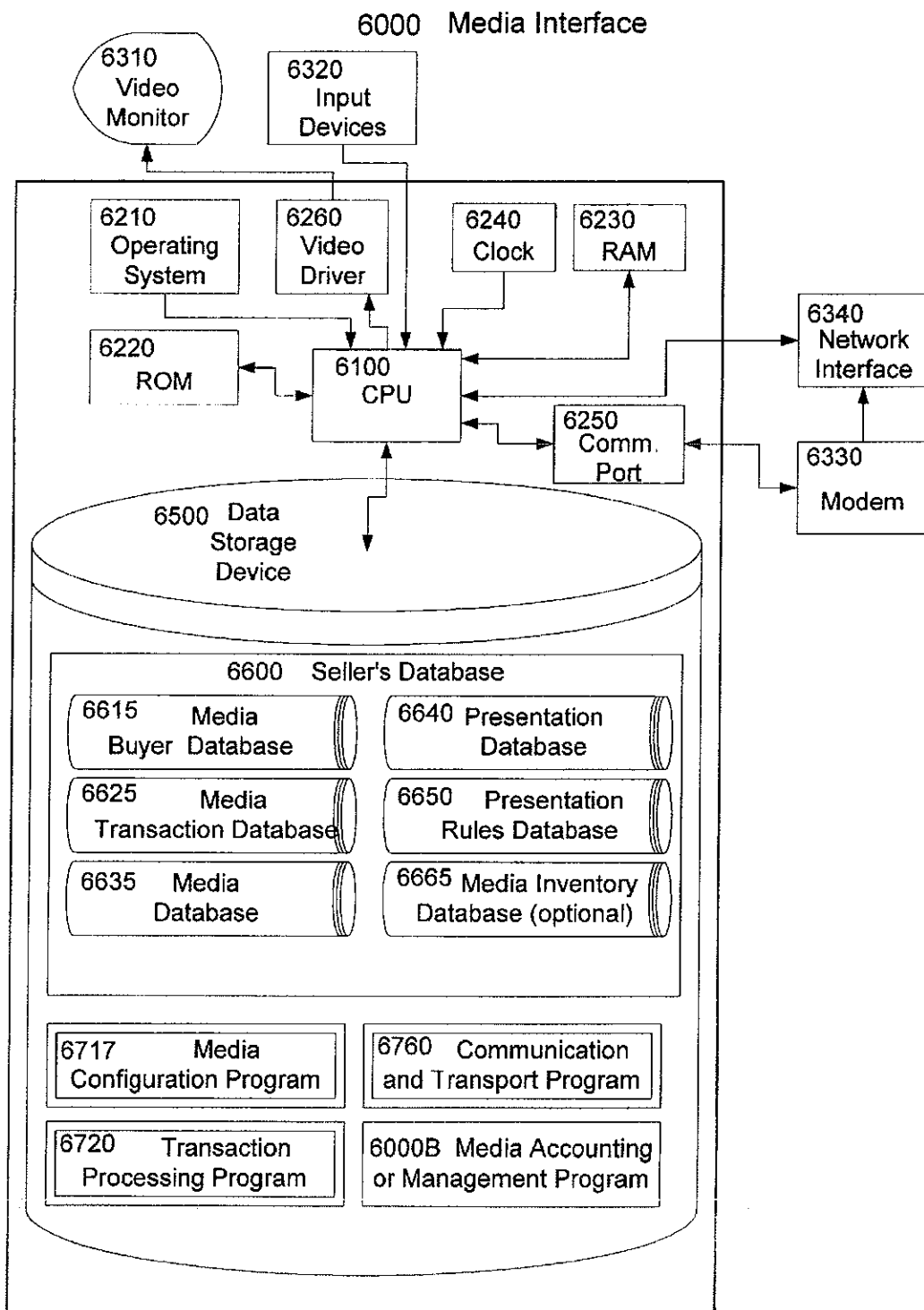


Fig. 3a

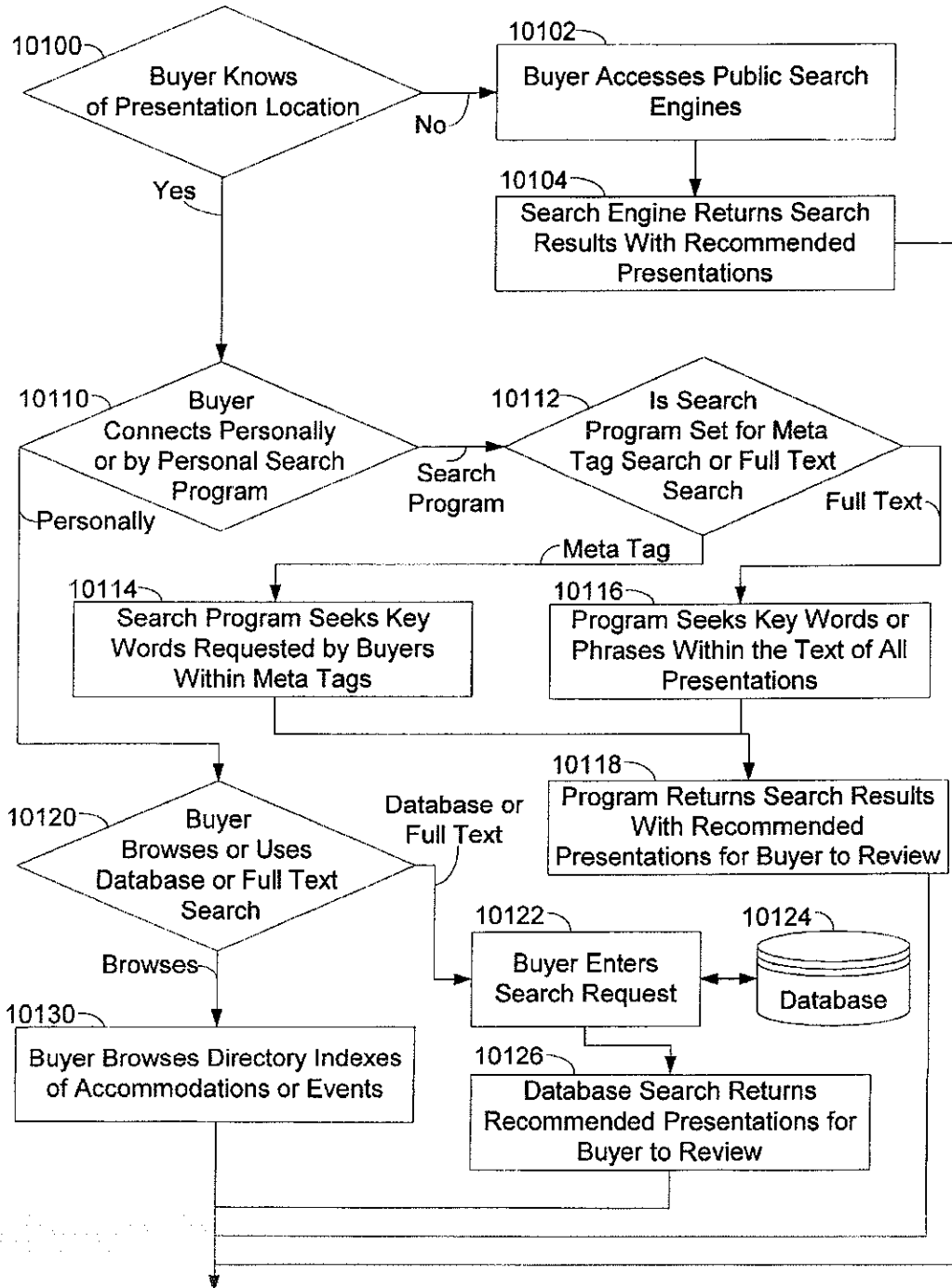


Fig. 3b

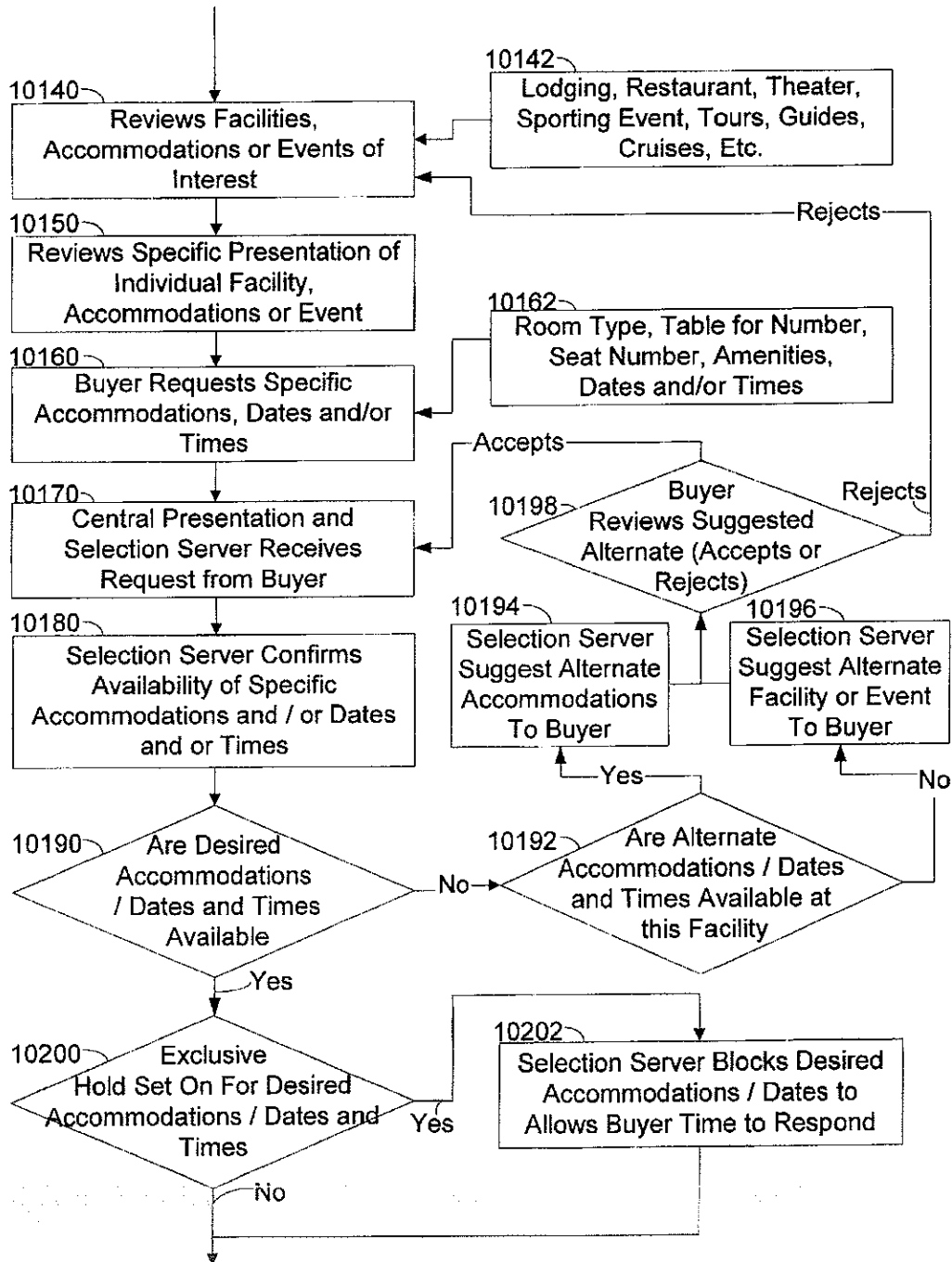


Fig. 3c

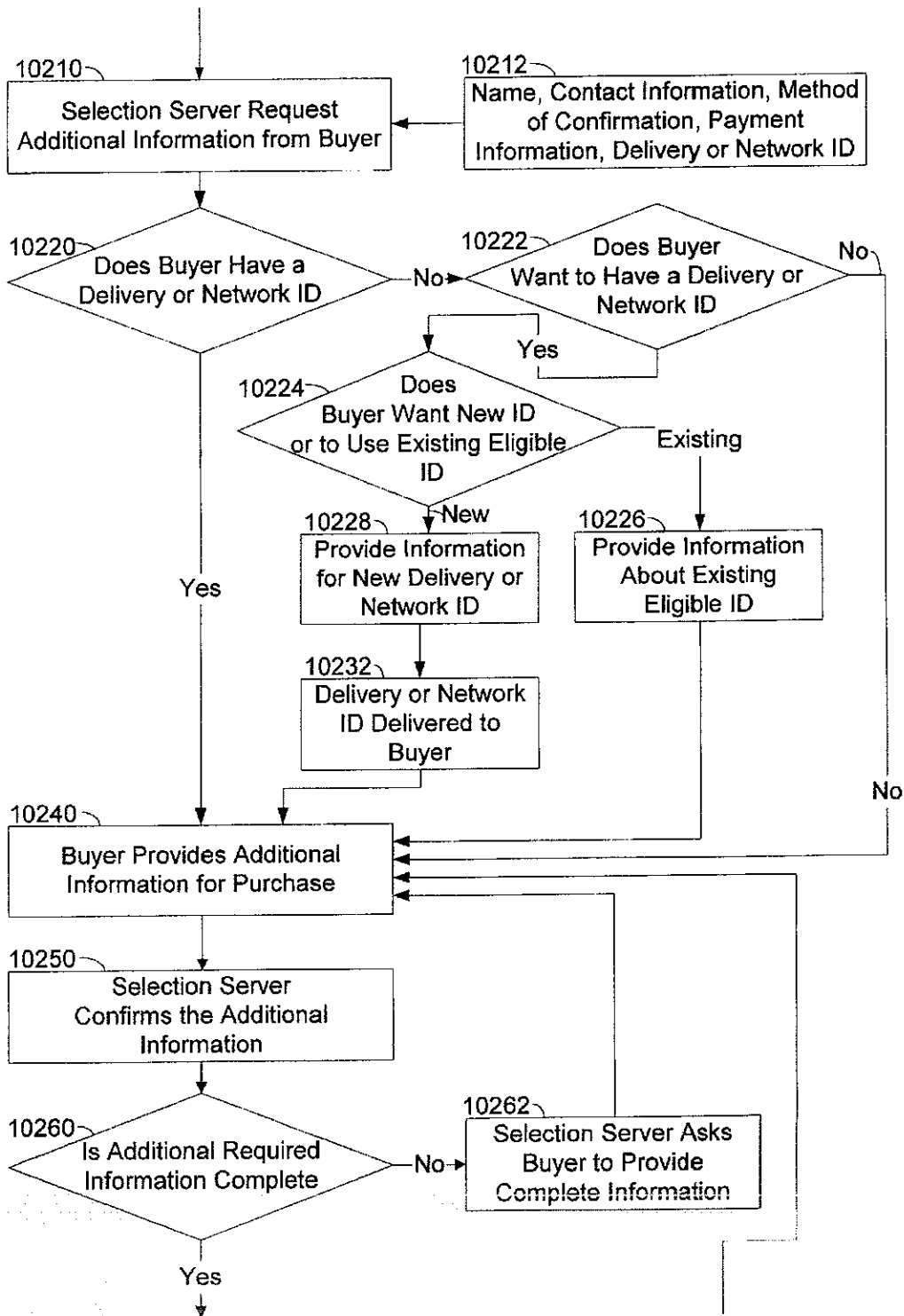


Fig. 3d

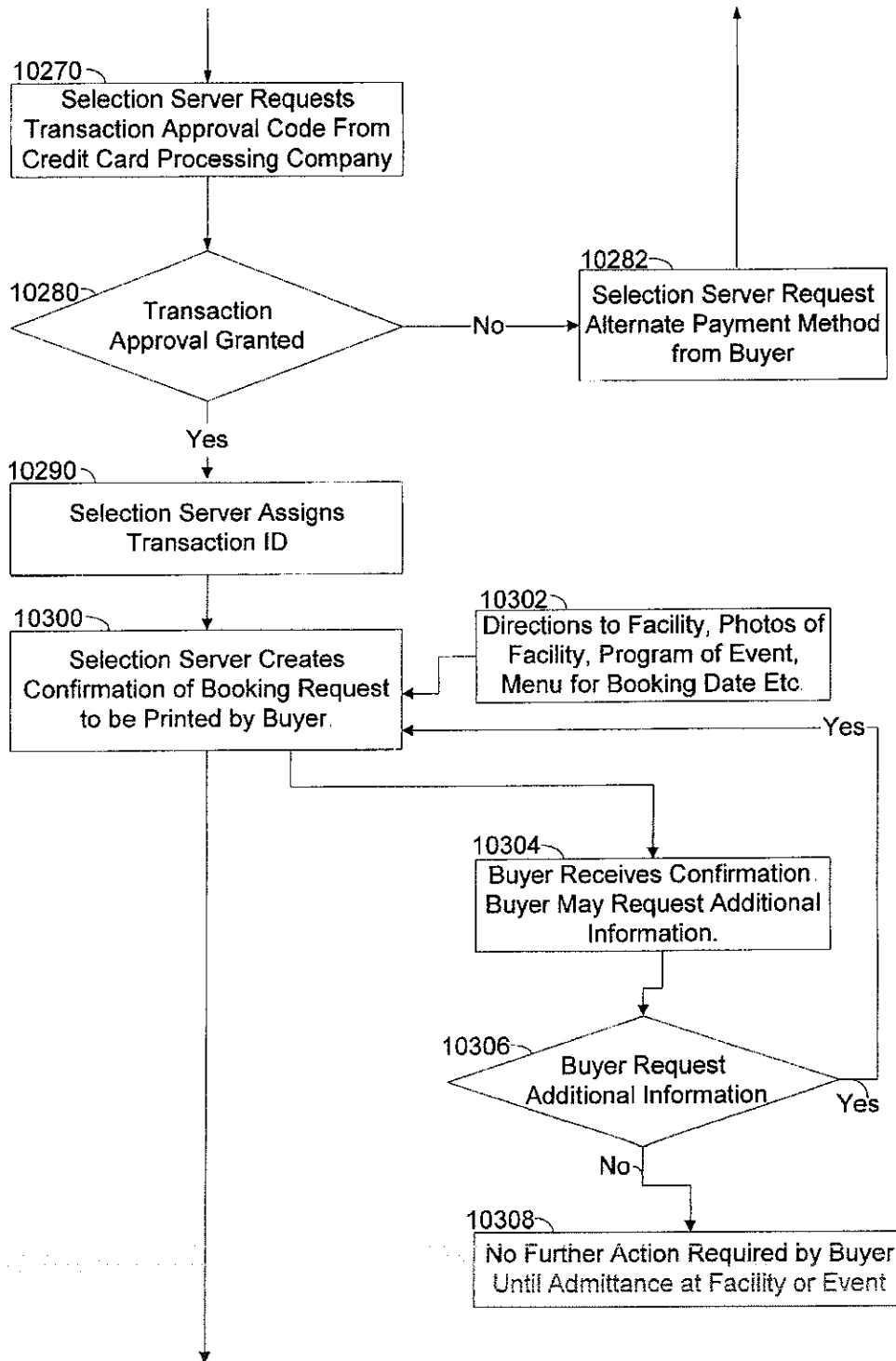


Fig. 3e

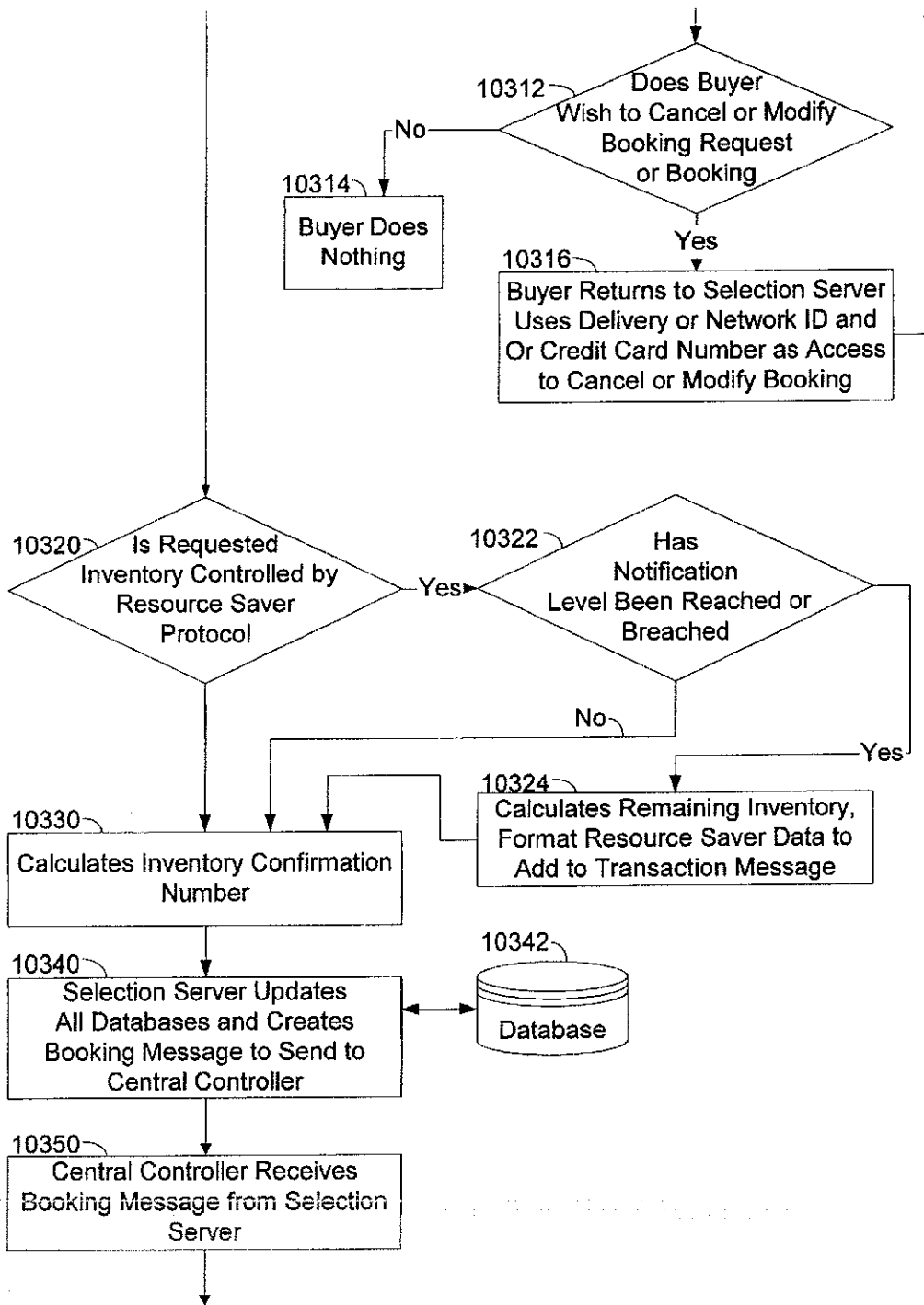


Fig. 3f

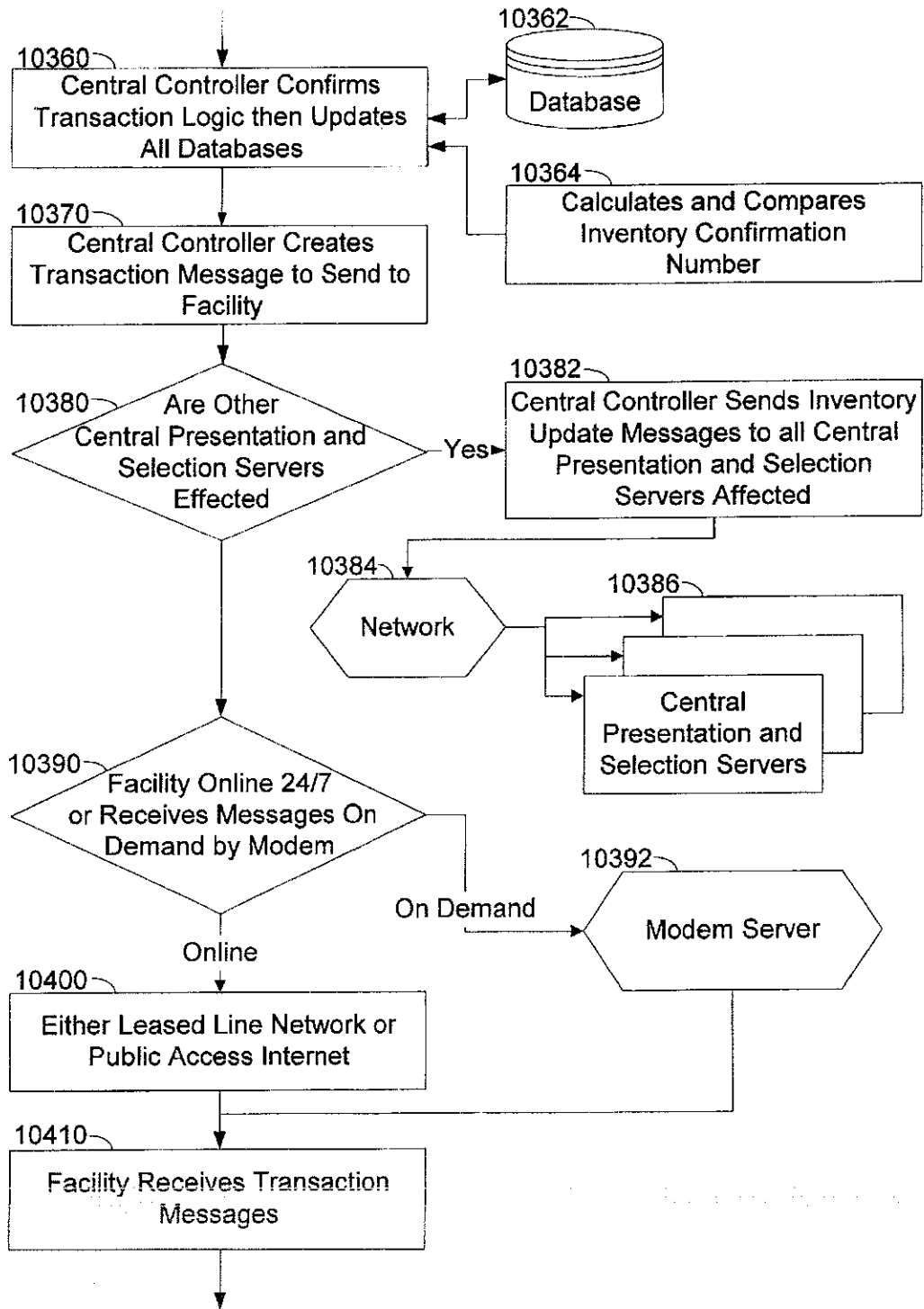


Fig. 3g

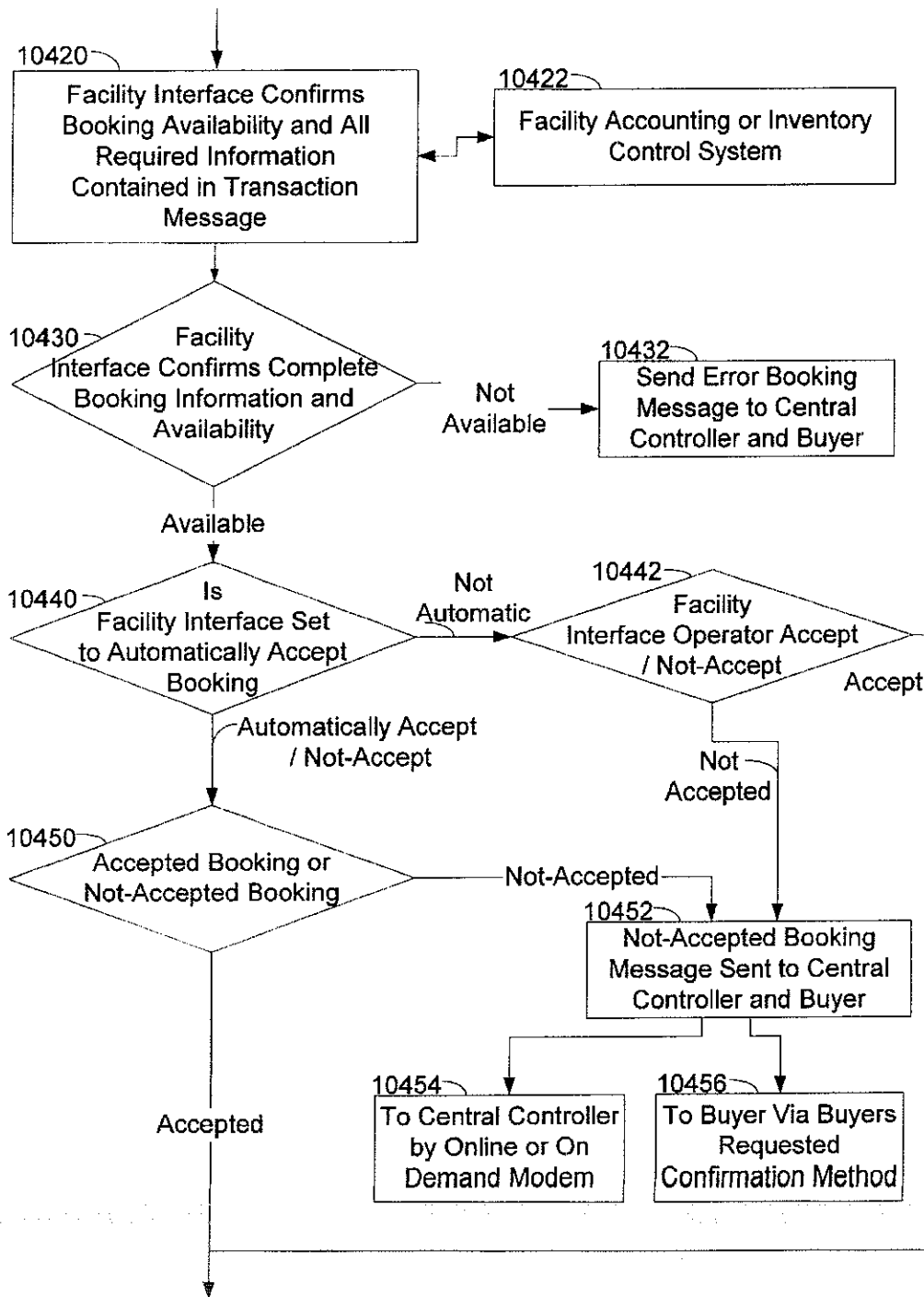


Fig. 3h

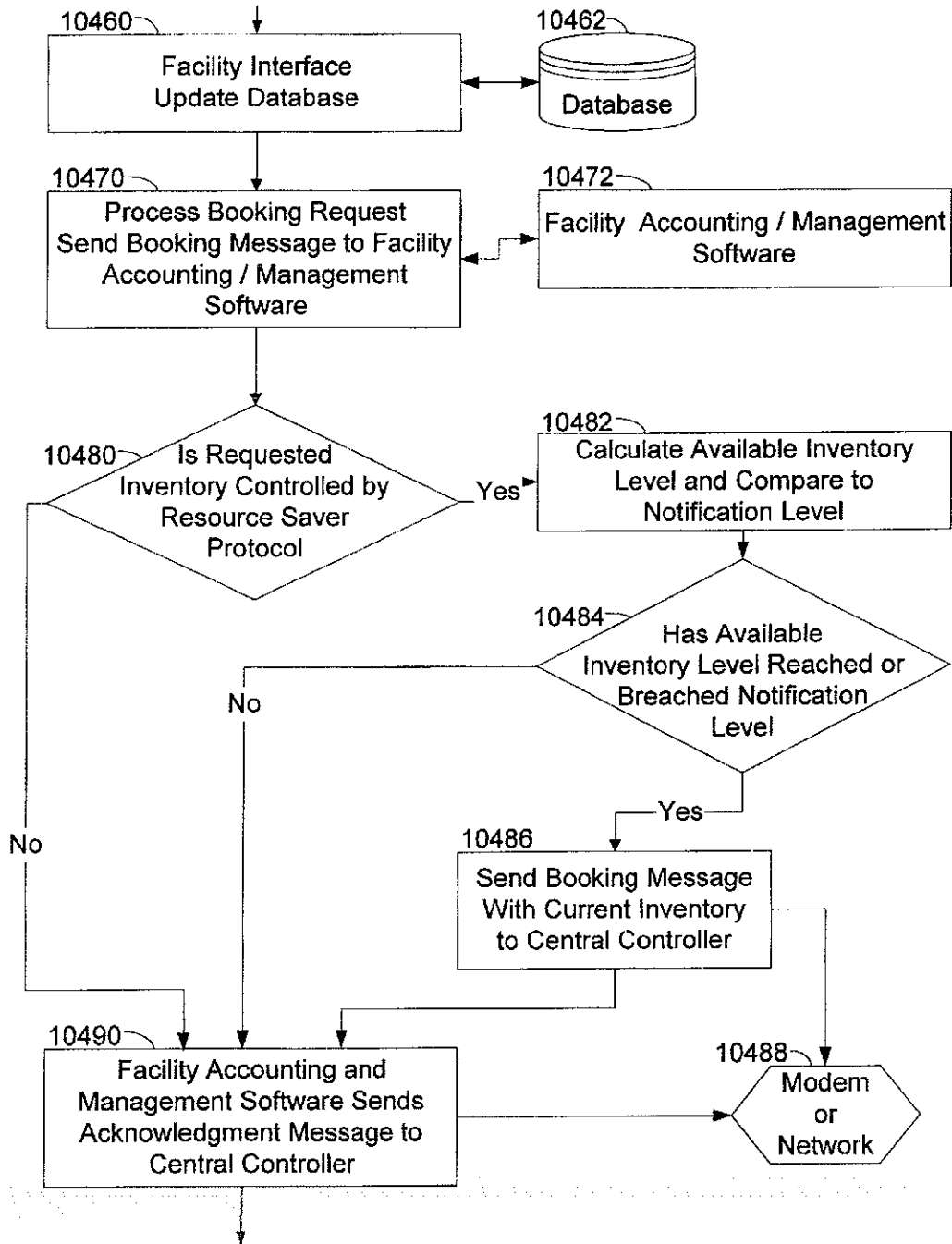


Fig. 3i

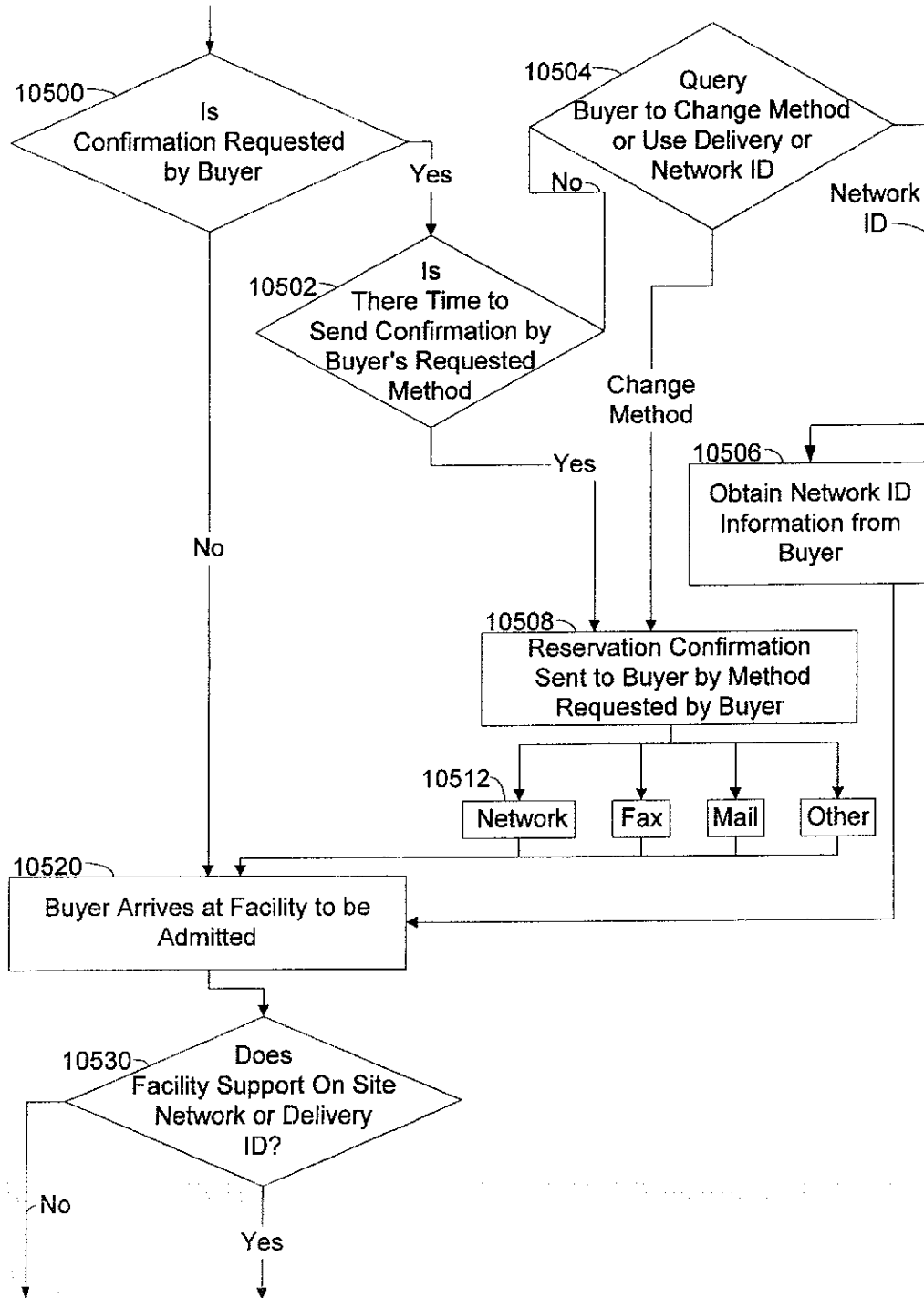


Fig. 3j

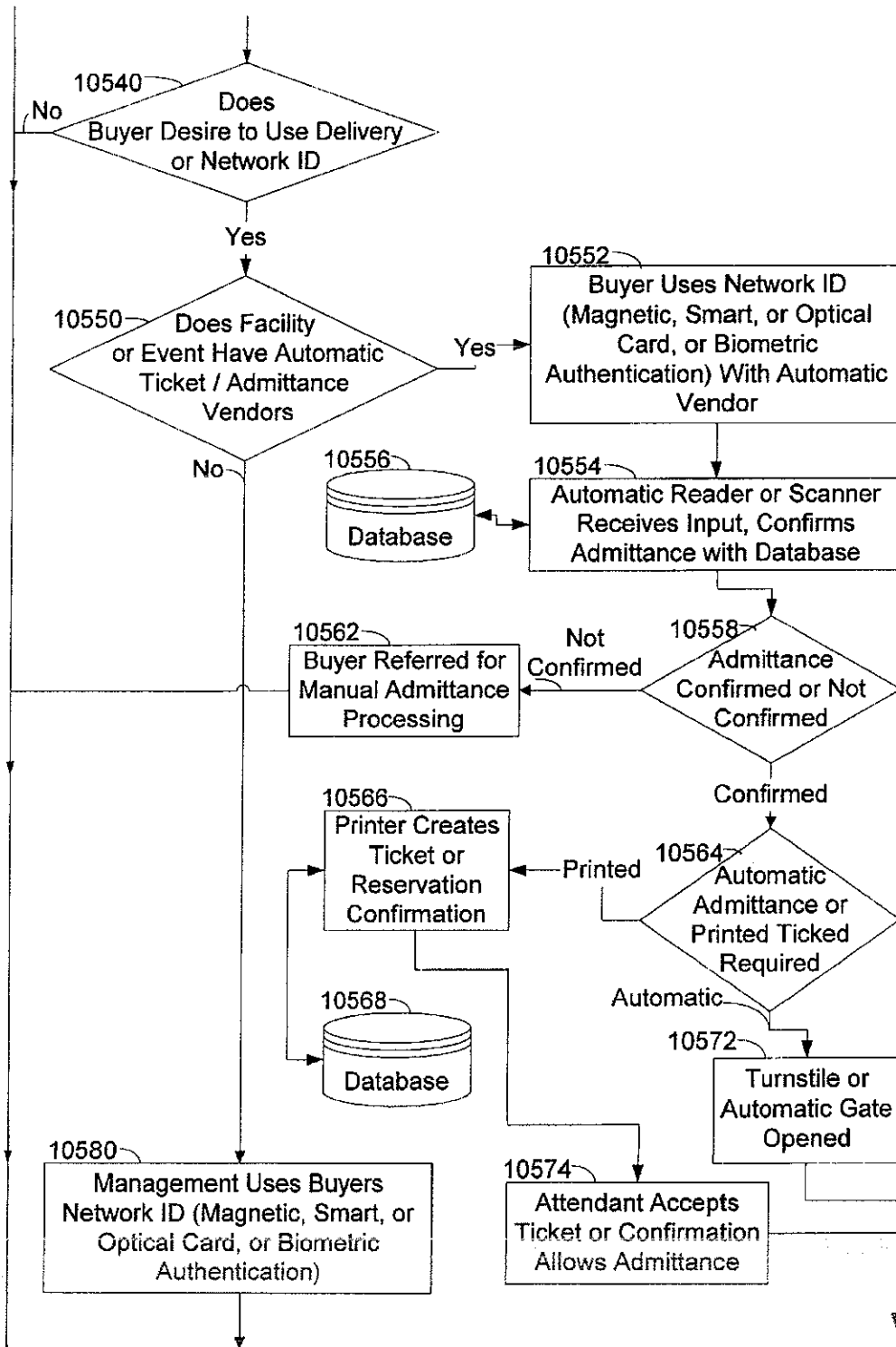


Fig. 3k

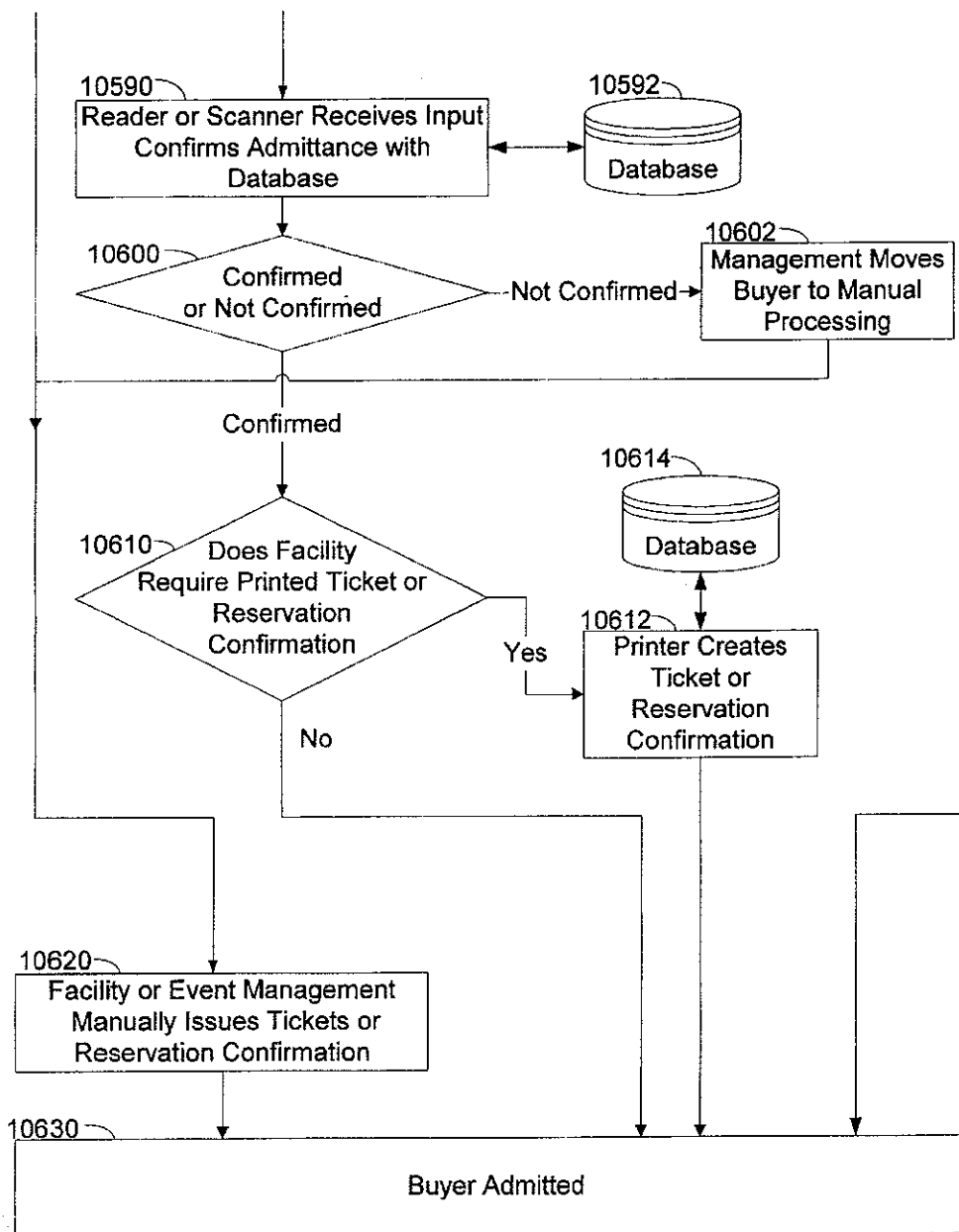


Fig. 3i-a

