

EXHIBIT 5

Richard H. Dolan (RD-2212)
SCHLAM STONE & DOLAN LLP
26 Broadway
New York, NY 10004
Telephone: (212) 344-5400
Facsimile: (212) 344-7677

John M. Desmarais (JD-6460)
KIRKLAND & ELLIS LLP
153 East 53rd Street
New York, New York 10022
Telephone: (212) 446-4800
Facsimile: (212) 446-4900

Leonard Charles Suchyta
Caren K. Khoo (CK-2972)
Verizon Corporate Services Group Inc.
Basking Ridge, NJ 07920
Telephone: (908) 559-5623
Facsimile: (908) 766-6974

*Attorneys for Cellco Partnership d/b/a Verizon Wireless
and Verizon Data Services LLC*

UNITED STATES DISTRICT COURT
EASTERN DISTRICT OF NEW YORK

Cellco Partnership d/b/a Verizon)
Wireless,)
and)
Verizon Data Services LLC,)
)
Plaintiffs,)
)
-against-)
)
Klausner Technologies, Inc.,)
)
Defendant,)
)

FILED
IN CLERK'S OFFICE
U.S. DISTRICT COURT E.D.N.Y.
★ AUG 13 2008 ★
BROOKLYN OFFICE

Civil Action No. _____

COMPLAINT FOR DECLARATORY
RELIEF

DEMAND FOR JURY TRIAL

DEARIE, CH. J.

LEWY, M.J.

COMPLAINT

Plaintiffs Cellco Partnership d/b/a Verizon Wireless (“Verizon Wireless”) and Verizon Data Services LLC (“Verizon Data”), for their Complaint against Defendant Klausner Technologies, Inc. (“Klausner”), allege as follows:

Nature Of The Action

1. This is an action for declaratory relief arising under the patent laws of the United States, 35 U.S.C. §§ 100 *et seq.*, and the Declaratory Judgment Act, 28 U.S.C. §§ 2201 and 2202. As described below, Verizon Wireless and Verizon Data seek a declaratory judgment that their proprietary visual voicemail services and system do not infringe any valid claim of United States Patent Nos. 5,283,818 (“the ‘818 Patent”) and 5,572,576 (“the ‘576 Patent”) and that the claims of these patents are invalid under one or more provisions of 35 U.S.C. §§ 101, 102, 103, and/or 112. An actual controversy over the validity of the patents at issue and their alleged infringement exists between Verizon Wireless and Verizon Data, and Klausner as explained below.

The Parties

2. Verizon Wireless is a Delaware general partnership having its principal place of business in Basking Ridge, New Jersey. Verizon Wireless does business in this District.

3. Verizon Data is a Delaware limited liability company having its principal place of business in Temple Terrace, Florida.

4. Upon information and belief, Klausner is an entity organized under the laws of New York having a principal place of business in Sagaponack, New York. Judah Klausner is, on information and belief, a resident of New York and sole owner of Klausner.

Jurisdiction And Venue

5. These claims arise under the patent laws of the United States, 35 U.S.C. §§ 100 *et seq.*, and the Declaratory Judgment Act, 28 U.S.C. §§ 2201 and 2202. Jurisdiction is conferred upon this Court by 28 U.S.C. §§ 1331, 2201 and 2202.

6. Venue is proper in this District pursuant to 28 U.S.C. § 1391(b) and (c).

Facts Underlying Declaratory Jurisdiction

7. Verizon Wireless provides wireless communication services for business and personal subscribers, including in this District.

8. Verizon Data designs, develops, and supplies communication systems and technology for use by its affiliated companies, including Verizon Wireless, that provide wireline and wireless communications services, including in this District.

9. Verizon Data designed and developed a proprietary system that permits a wireline or wireless subscriber to visually review selected attributes of voicemail messages received by the subscriber on their communications device, including the identity of the caller. The system also permits the subscriber to select a voicemail message for review from the visual display on the communications device. The service using this type of system is commonly known in the industry as “visual voicemail.” Verizon Data or its affiliates own the intellectual property rights in its proprietary visual voicemail system.

10. Verizon Data’s visual voicemail system was used by Verizon Wireless to introduce this month its new visual voicemail service for certain wireless telephones provided by Verizon Wireless to its subscribers.

11. Klausner is in the business of licensing and enforcing patents related to visual voicemail systems and services. Klausner asserts that it owns one or more patents that cover the use of visual notification of new voicemail messages, including caller identification information, and that provide the option of selectively retrieving a voicemail message from the display. Klausner has publicly declared his intention of enforcing his patents against companies that provide this visual voicemail service.

12. Since 2006, Klausner has launched a well publicized enforcement campaign against telephone companies, cable companies, VoIP providers, and internet service providers, seeking hundreds of millions of dollars in royalties for alleged infringing visual voicemail systems. To date, Klausner has brought suit for infringement against AT&T Mobility, Apple Computer, Vonage, AOL, Comcast, Cablevision, Ebay and other companies that provide communications devices that permit a user to visually review identification information regarding received voice messages and selectively retrieve them. On information and belief, Klausner has also obtained royalties/payments through patent license agreements from companies that offer visual voicemail services, including AT&T Mobility, Apple Computer, Vonage and Sprint. On further information and belief, Klausner has settled and dismissed all suits relating to visual voicemail.

13. Klausner is the alleged owner of United States Patent No. 5,283,818 (the "'818 patent"). The '818 patent entitled "Telephone Answering Device Linking Displayed Data With Recorded Audio Message" was filed on March 31, 1992. The face of the '818 patent indicates that it was issued on February 1, 1994. A copy of the '818 patent is attached hereto as Exhibit A.

14. Klausner is the alleged owner of United States Patent No. 5,572,576 (the "'576 patent"). The '576 patent entitled "Telephone Answering Device Linking Displayed Data With Recorded Audio Message" was filed on March 15, 1994. The face of the '576 patent indicates that it was issued on November 5, 1996. A copy of the '576 patent is attached hereto as Exhibit B.

15. In particular, Klausner has sought to enforce the '818 and '576 patents against service providers who offer visual voicemail services.

16. Verizon Wireless's proprietary visual voicemail service using Verizon Data's proprietary visual voicemail system will compete with the visual voicemail offerings already accused of infringement by Klausner. In view of Klausner's litigious actions, including its public campaign to extract hundreds of millions in licensing royalties from visual voicemail services and its serial litigations alleging infringement of the '818 and '576 patents by companies that offer such services, and in view of Verizon Wireless's present introduction of visual voicemail services using Verizon Data's visual voicemail system to wireless applications of the type accused of infringement by other companies, there exists a substantial and real controversy between Verizon Wireless and Verizon Data, and Klausner, whose adverse legal interests can only be remedied by declaratory relief.

FIRST CLAIM FOR RELIEF

(Declaratory Judgment of Invalidity and Noninfringement of the '818 Patent)

17. Verizon Wireless and Verizon Data re-allege and incorporate herein Paragraphs 1 through 16 of this Complaint.

18. Klausner has vigorously enforced the '818 patent by consistently bringing infringement suits against telecom service providers and telecom equipment manufacturers that have deployed technology known as "visual voicemail" in their services and products. Klausner has alleged that visual voicemail technology infringes the '818 patent. Klausner has publicly expressed its intent to continue to enforce the '818 patent against the telecom industry.

19. Upon information and belief, Klausner intends to enforce the '818 Patent against Verizon Wireless, Verizon Data, and/or their affiliates with respect to their visual voicemail system and service now being made available to subscribers.

20. Under all the circumstances, there is a substantial controversy between Verizon Wireless and Verizon Data, and Klausner of sufficient immediacy and reality within the meaning of 28 U.S.C. § 2201 to warrant the issuance of a declaratory judgment, without which Verizon Wireless and Verizon Data would be forced to risk immediate and ongoing liability for alleged unauthorized use of the '818 patent.

21. Verizon Wireless and Verizon Data and their affiliates do not directly or indirectly infringe any valid and enforceable claim of the '818 patent, either literally or under the doctrine of equivalents.

22. The '818 patent is invalid because of its failure to comply with one or more of the requirements of the patent laws of the United States, including, without limitation, 35 U.S.C. §§ 101, 102, 103, and/or 112.

23. A judicial declaration of noninfringement and invalidity is necessary and appropriate in order to resolve this controversy.

SECOND CLAIM FOR RELIEF

(Declaratory Judgment of Invalidity and Noninfringement of the '576 Patent)

24. Verizon Wireless and Verizon Data re-allege and incorporate herein Paragraphs 1 through 23 of this Complaint.

25. Klausner has vigorously enforced the '576 patent by consistently bringing infringement suits against telecom service providers and telecom equipment manufacturers that have deployed technology known as "visual voicemail" in their services and products. Klausner has alleged that visual voicemail technology infringes the '576 patent. Klausner has publicly expressed its intent to continue to enforce the '576 patent against the telecom industry.

26. Upon information and belief, Klausner intends to enforce the '576 patent against Verizon Wireless, Verizon Data and/or their affiliates with respect to its visual voicemail system and service now being made available to subscribers.

27. Under all the circumstances, there is a substantial controversy between Verizon Wireless and Verizon Data, and Klausner of sufficient immediacy and reality within the meaning of 28 U.S.C. § 2201 to warrant the issuance of a declaratory judgment, without which Verizon Wireless and Verizon Data would be forced to risk immediate and ongoing liability for unauthorized use of the '576 patent.

28. Verizon Wireless and Verizon Data and their affiliates do not directly or indirectly infringe any valid and enforceable claim of the '576 patent, either literally or under the doctrine of equivalents.

29. The '576 patent is invalid because of its failure to comply with one or more of the requirements of the patent laws of the United States, including, without limitation, 35 U.S.C. §§ 101, 102, 103, and/or 112.

30. A judicial declaration of noninfringement and invalidity is necessary and appropriate in order to resolve this controversy.

PRAYER FOR RELIEF

WHEREFORE, Verizon Wireless and Verizon Data pray:

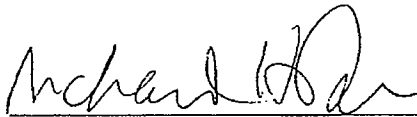
- A. That it be declared that Verizon Wireless, Verizon Data and their affiliates do not directly or indirectly infringe, either literally or under the doctrine of equivalents, any valid and enforceable claims of U.S. Patent Nos. 5,283,818 and 5,572,576 under any subsection of 35 U.S.C. § 271;
- B. That it be declared that U.S. Patent Nos. 5,283,818 and 5,572,576 are invalid;
- C. That Verizon Wireless and Verizon Data be awarded their costs and disbursements in this action, including reasonable attorney's fees; and

D. That Verizon Wireless and Verizon Data be awarded such other and further relief as the Court deems just and proper.

DEMAND FOR JURY TRIAL

Verizon Wireless and Verizon Data hereby demand trial by jury as to all issues in this action triable by a jury.

Respectfully submitted,



Richard H. Dolan (RD-2212)
SCHLAM STONE & DOLAN LLP
26 Broadway
New York, NY 10004
Telephone: (212) 344-5400
Facsimile: (212) 344-7677

John M. Desmarais (JD-6460)
KIRKLAND & ELLIS LLP
153 East 53rd Street
New York, New York 10022
Telephone: (212) 446-4800
Facsimile: (212) 446-4900

Leonard Charles Suchyta
Caren K. Khoo (CK-2972)
Verizon Corporate Services Group Inc.
Basking Ridge, NJ 07920
Telephone: 908-559-5623
Fax: 908-766-6974

*Attorneys for Cellco Partnership d/b/a
Verizon Wireless and Verizon Data
Services LLC*

Dated: August 13, 2008

Exhibit A



US005283818A

United States Patent [19]

[11] Patent Number: 5,283,818

Klausner et al.

[45] Date of Patent: Feb. 1, 1994

- [54] TELEPHONE ANSWERING DEVICE
LINKING DISPLAYED DATA WITH
RECORDED AUDIO MESSAGE
- [75] Inventors: Judah Klausner, Sagaponack, N.Y.;
Robert Hotto, La Jolla, Calif.
- [73] Assignee: Klausner Patent Technologies,
Sagaponack, N.Y.
- [21] Appl. No.: 860,699
- [22] Filed: Mar. 31, 1992
- [51] Int. Cl.³ H04M 1/64; H04M 11/00;
H04M 15/06
- [52] U.S. Cl. 379/67; 379/88;
379/89; 379/96; 379/142; 379/199
- [58] Field of Search 379/67, 88, 89, 96,
379/97, 70, 142, 74, 199, 77

- 4,894,861 1/1990 Fujioka .
- 4,916,730 4/1990 Hashimoto .
- 4,924,496 5/1990 Figa et al. .
- 4,930,152 5/1990 Miller .
- 4,935,954 6/1990 Thompson et al. .
- 4,961,216 10/1990 Bachr et al. .
- 5,003,575 3/1991 Chamberlin et al. .
- 5,050,206 9/1991 Shimanuki .
- 5,163,082 11/1992 Karnowski .

Primary Examiner—James L. Dwyer
 Assistant Examiner—Fan Tsang
 Attorney, Agent, or Firm—Darby & Darby

[57] ABSTRACT

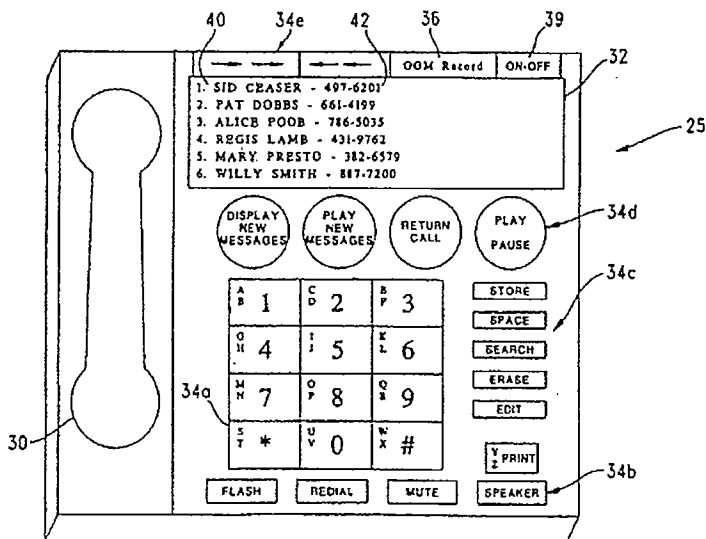
A telephone answering device (TAD) which includes a means of intelligently organizing voice messages, associated entered codes such as personal IDs and home telephone numbers, and information stored in the memory of the TAD. These codes or numbers are decoded by means of the caller entering DTMF signals into the telephone which are recognized, recorded and processed by the TAD. When processed with codes and personal information previously entered into the device's memory, the TAD displays the identity of the callers for each message, thus providing a menu of choices, i.e., a list of callers. This enables the user to access messages in a selective manner based on the identity of the caller. The need to listen to the actual voice messages to determine the caller's identity and the need to listen to the messages sequentially or chronologically is obviated, saving both time and effort. Additionally, because the voice message is also linked to pre-stored additional data in the data base, when hearing a message, one also can view relevant associated information, such as a fax number, etc., that might not have been left in the audio message but might be important.

[56] References Cited

U.S. PATENT DOCUMENTS

- D. 299,716 2/1989 Weisz et al. .
- D. 316,024 4/1991 Sharbaugh .
- D. 327,063 6/1992 Panzer .
- 4,241,238 12/1980 Strand .
- 4,304,968 12/1981 Klausner 379/142
- 4,477,807 10/1984 Nakajima et al. .
- 4,511,764 4/1985 Nakayama et al. .
- 4,517,410 5/1985 Williams et al. .
- 4,600,809 6/1986 Tatsumi et al. .
- 4,612,416 9/1986 Emerson et al. .
- 4,776,002 10/1988 Kammerl .
- 4,782,510 11/1988 Szlam .
- 4,790,003 12/1988 Kepley et al. .
- 4,802,202 1/1989 Takahashi et al. .
- 4,803,717 2/1989 Marui .
- 4,805,207 2/1989 McNutt et al. .
- 4,829,559 5/1989 Izawa et al. .
- 4,850,005 7/1989 Hashimoto 379/88
- 4,853,952 8/1989 Jachmann et al. 379/88
- 4,860,339 8/1989 D'Agosto, III et al. 379/67

14 Claims, 7 Drawing Sheets



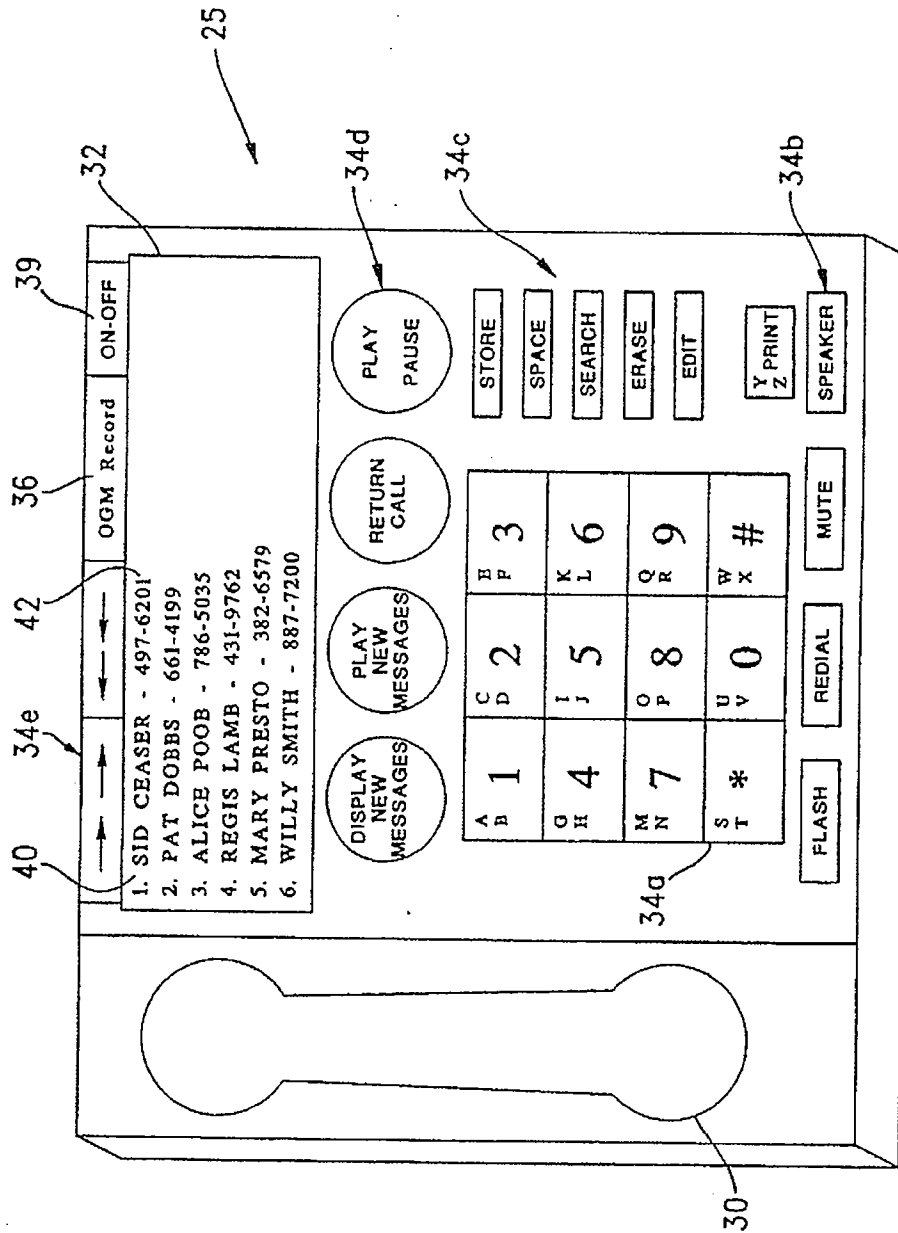


Fig. 1

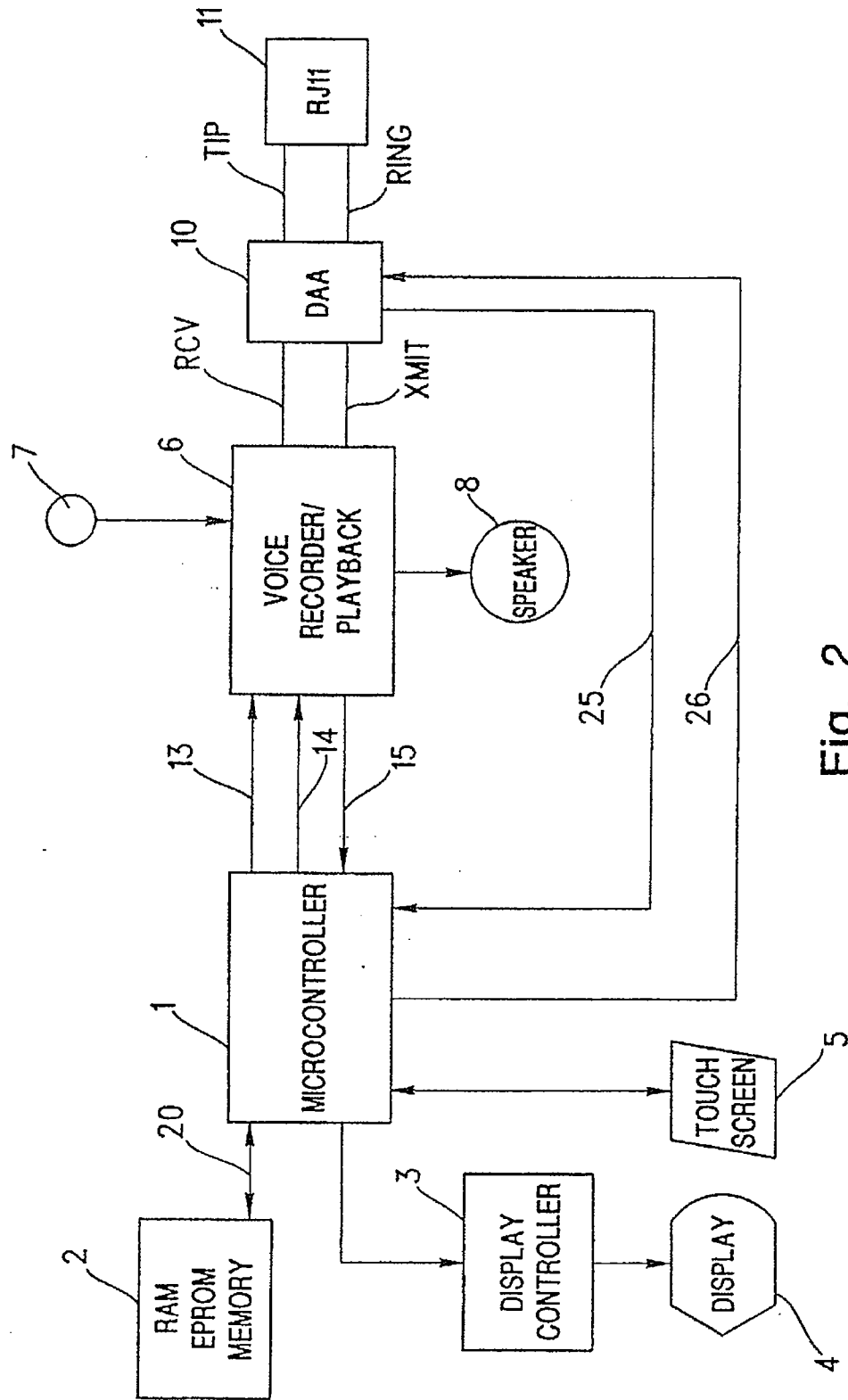


Fig. 2

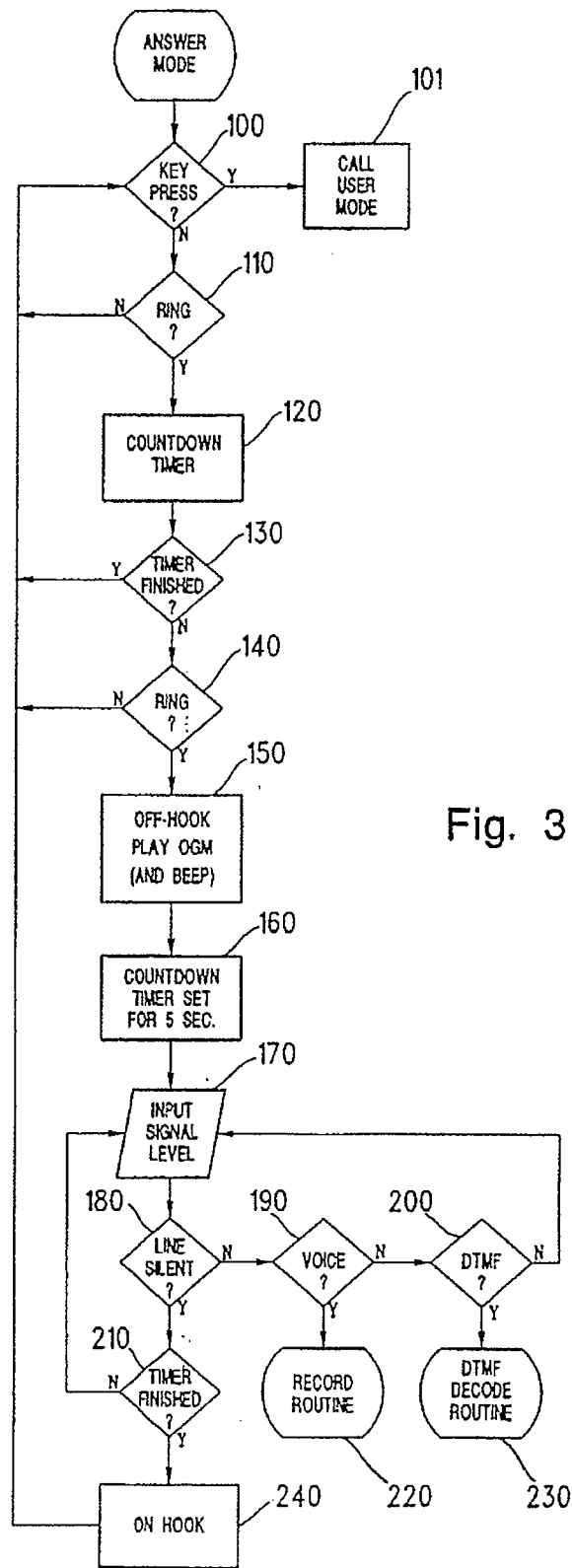
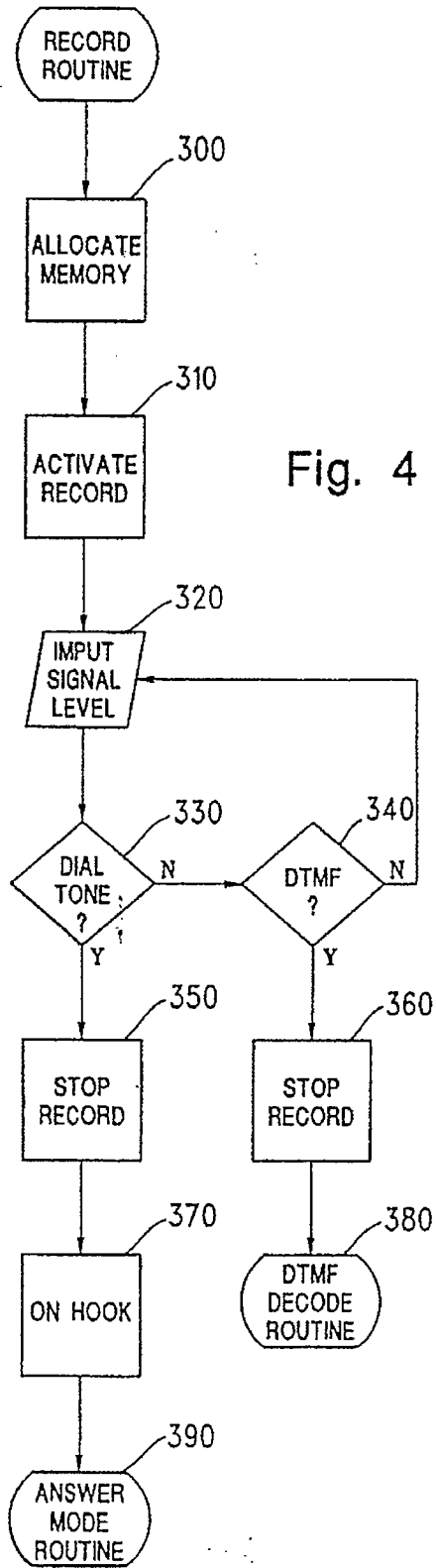


Fig. 3



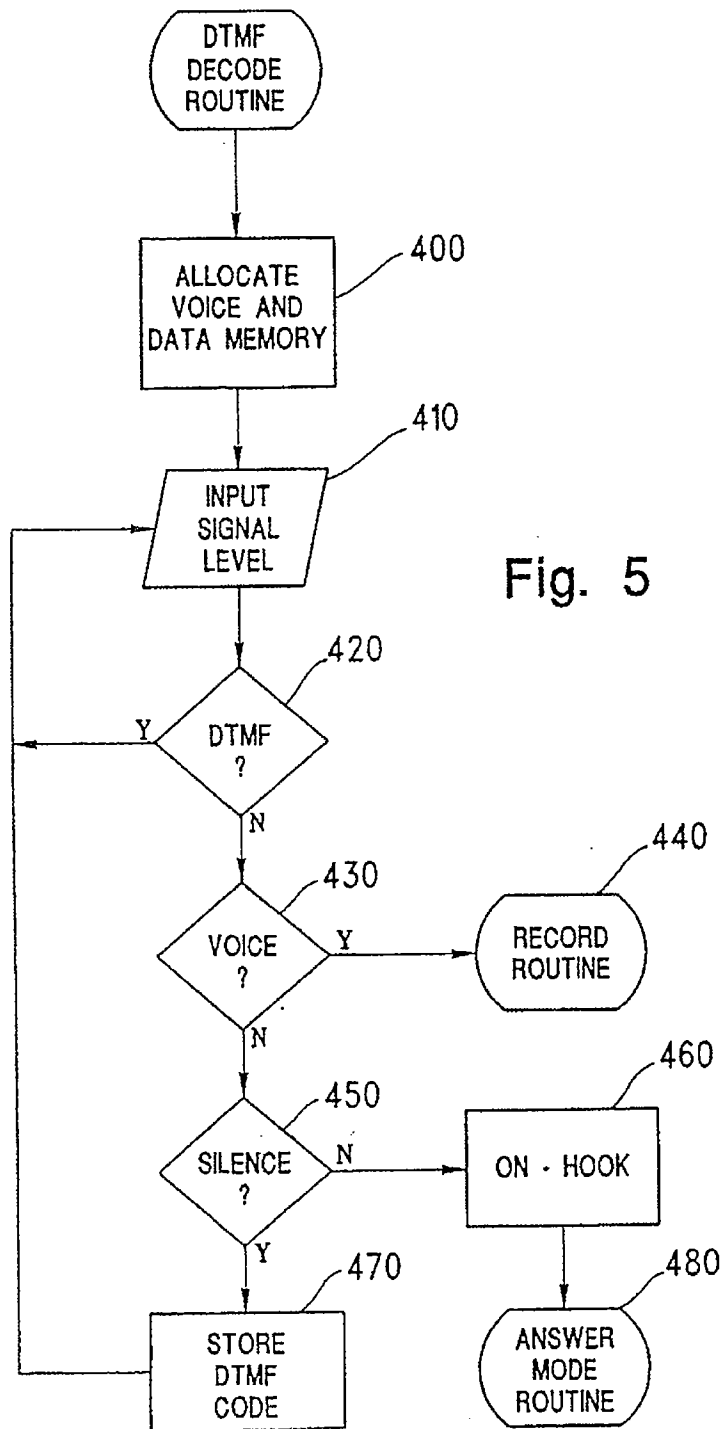


Fig. 5

MEMORY SECTION 1

1. THORNTON ALUCKETT -
417-6832(H), 371-6288(O), 230
WEST RD., FAIRVIEW CITY,
VICE PRESIDENT RLB CORP.
2. SID CAESER - 497-6201(H)
331-2677 (P), ROCKWELL
DRIVE #34, PISTON LAKES,
BIRTHDAY 11/17/16
3. PAT DOBBS - 661-4199(O),
817-312(H)
4. LUCY FROCK - 637-4064(H), 12
E 9 ST. N.Y.C., 229-8019(F)
5. FRAN GRILLARD - 729-6555(H),
219-8663(O), 919-3342(F) 407
NEWTON LANE, PIANO TUNER
6. REGIS LAMB - 431-9762(H)
211-0162(M), 431-2400(O),
684-3199(F), 34 E. 6 ST.

Fig. 6

MEMORY SECTION 2

- 497-6201 (2)
- 661-4199 (3)
- 786-5035 (4)
- 431-9762 (5)
- .
- .
- .
- .
- .

Fig. 7

MEMORY SECTION 3

1. "PLEASE DIAL IN YOUR
PHONE NUMBER ON A TOUCH
TONE PHONE AND THEN LEAVE
A MESSAGE. THANK YOU."
2. "HI, THIS IS SID; PLEASE
BRING THE YELLOW
BALLOONS WHEN YOU COME
OVER TONIGHT."
3. "MS DOBBS HERE. I'LL BE IN
MY OFFICE TILL 5:30, THEN AT
HOME."
4. "YOUR FRIEND ALICE. SEE
YOU LATER TONIGHT."
5. "THIS IS MR. LAMB I'LL BE IN
MY CAR UNTOL ABOUT 4:00
P.M.
.....

Fig. 8

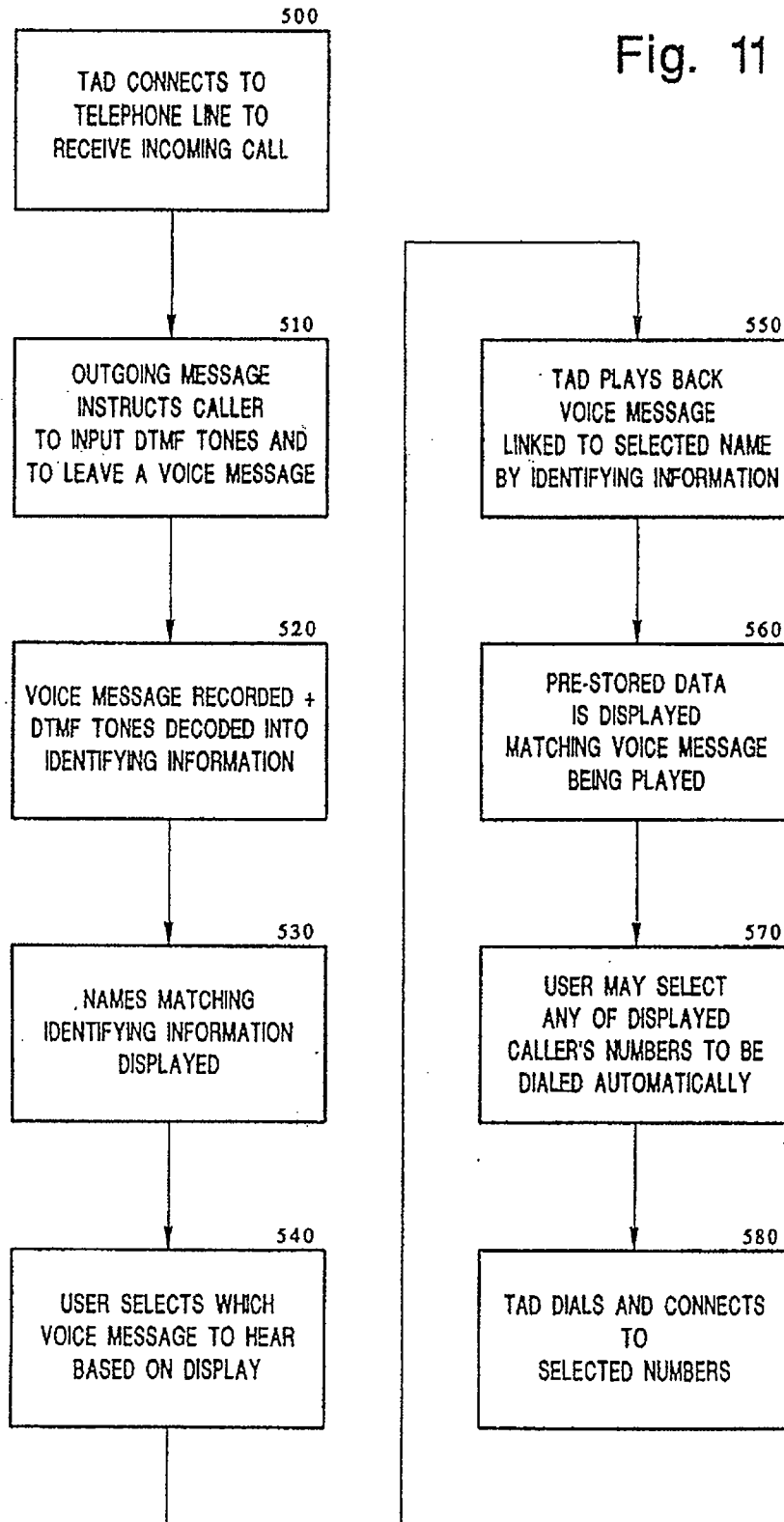
1. SID CAESER - 497-6201
2. PAT DOBBS - 661-4199
3. ALICE POOB - 786-5035
4. REGIS LAMB - 431-9762
5. MARY PRESTO - 382-6579
6. WILLY SMITH - 887-7200

Fig. 9

REGIS LAMB
HOME # 431-9762
MOBILE # 211-9762
OFFICE # 431-2400
FAX # 684-3199
34 E. 6 ST.

Fig. 10

Fig. 11



TELEPHONE ANSWERING DEVICE LINKING DISPLAYED DATA WITH RECORDED AUDIO MESSAGE

FIELD OF THE INVENTION

The present invention relates to a device for recording and recalling messages received through telecommunication. More specifically, the invention relates to a telephone answering device that displays information about messages recorded within the device and provides selective access to those messages based on the displayed information.

BACKGROUND OF THE INVENTION

Most everyone is well acquainted with the standard telephone answering machine. Such a machine is hooked up to a telephone and by means of a tape recorder device and magnetic tape, it records oral messages from the caller. While such a machine has the advantage of allowing the user to receive messages when he is not present and cannot answer the phone, it has several disadvantages:

- (1) The owner of the machine must play back many minutes of taped voice messages just to know who has called.
- (2) The owner can not intelligently search for a specific caller's recorded message.
- (3) To retain a list for later callback after listening to messages, the owner must either keep tape un-erased, or must copy down the list with a pen and paper.
- (4) The caller must speak his name, phone number, etc. into his phone in order for the message to be transmitted through the phone system and recorded on the answering machine on the other end of the line. Since many callers feel uncomfortable talking to machines, some callers don't leave messages and merely hang up the phone.
- (5) An additional inconvenience occurs when the user wishes to retrieve stored messages by phone. He must on occasion hang on the phone for many minutes for all recorded voice messages to be played in their entirety and must copy with pen and paper in order to have a hard copy. This is not only inconvenient, but may be quite costly, particularly if the call to retrieve messages is a long distance call and the user is interested in a particular message that is preceded by a number of lengthy, less interesting, voice messages.

A partial solution to many of these disadvantages was offered by the "Telephone Electronic Answering Device" (TEAD) by the present inventors, disclosed in U.S. Pat. No. 4,304,968, which is incorporated herein by reference. The TEAD is capable of receiving and storing messages such as the callers' names and telephone numbers and times of receipt of such messages by converting dual tone-touch tone frequencies (DTMF) or rotary dial pulses, generated by the caller dialing his own phone number, into proper digital data representing the caller's phone number and indicating the caller's name if pre-stored in memory by the user. The entire pre-stored message could then be retrieved and displayed on command on a display provided on the TEAD or printed out to provide a permanent record.

The message stored by the TEAD, however, is limited. It only includes information pre-stored in its internal memory that is associated with a caller's phone number, or, in some instances, only the caller's number and the time of day. It is known that in many environ-

ments, caller's wish to leave more information in their messages, such as the urgency of the call. In many cases, a return call is not necessary if a simple descriptive message is left. With the TEAD, the user would have to call back the caller to get any such message in person, wasting effort and telephone line charges. The TEAD does provide some mechanism for leaving slightly more information by selecting from a limited menu of messages, such as "Urgent," but playing that menu for the caller takes time and the menu choices will only cover a very few limited choices of the messages that callers actually want to leave.

Also currently available are voice mail systems, which organize voice messages according to the called party. Each stored message is associated with one or more persons that are service members of the voice mail system. Each voice message to a called party is then organized sequentially in a chronological order as in the prior art sequential tape recording answering devices. These voice mail systems lack the ability to access a voice message selectively by name, since there is no way a user can determine the identity of any of the callers without listening to the messages.

It is also known that digital recording of voice messages can be used to replace the magnetic tape, but again selective accessing of a particular individual's messages in selective order is not possible.

SUMMARY OF THE INVENTION

Thus, it is an object of the invention to provide a telephone answering device ("TAD") that allows visual identification of callers, identities and selective access to their linked recorded voice messages.

It is a further object that the TAD provide a link between each recorded voice message and personal information pre-stored in data base memory related to that caller.

It is a further object of the invention to provide a TAD that displays a list of all caller displays such list so that the user may selectively access the voice message associated with a given caller without having to listen to all preceding voice messages.

In accordance with the objects of the invention, a telephone answering device is provided which includes a means of intelligently organizing voice messages, associated entered codes such as personal IDs and home telephone numbers, and information stored in the memory of the TAD. These codes or numbers are decoded by means of the caller entering DTMF signals into the telephone which are recognized, recorded and processed by the TAD. When processed with codes and personal information previously entered into the device's memory, the TAD displays the identity of the caller for each message, thus providing a menu of choices in the form of a list of the callers names. This enables the user to access individual messages in a selective manner based on the identity of the caller. The need to listen to the actual voice messages to determine the caller's identity and the need to listen to the messages sequentially or chronologically is obviated, saving time and effort. Additionally, the voice message is also linked to pre-stored additional data in the data base. Thus, when hearing a message, one also can view relevant associated information, such as a fax number, alternate phone number, etc., that might not have been left in the audio message but might be important.

BRIEF DESCRIPTION OF THE DRAWINGS

The above and other objects and advantages will become apparent to those skilled in the art upon reviewing the detailed description of the preferred embodiments in conjunction with a review of the appended drawings, in which:

FIG. 1 is a front perspective view of a telephone answering device according to the present invention;

FIG. 2 is a block diagram illustrating the major functional circuit blocks and their connections of the TAD;

FIG. 3 is a flowchart illustrating the answer mode of the present invention;

FIG. 4 is a flowchart illustrating the record mode of the present invention;

FIG. 5 is a flowchart illustrating the DTMF decode routine of the present invention;

FIG. 6 is a chart illustrating the contents of a first memory section of the invention;

FIG. 7 is a chart illustrating the contents of a second memory section;

FIG. 8 is a chart illustrating the contents of a third memory section;

FIG. 9 is an illustration of the display of the invention, listing received calls;

FIG. 10 is an illustration of the display recalling information linked to one of the callers; and

FIG. 11 is a flowchart illustrating a typical operation of the present invention.

DETAILED DESCRIPTION OF THE PREFERRED EMBODIMENTS

FIG. 1 illustrates the front perspective view of a telephone answering device (TAD) 25 according to the invention. The TAD preferably includes a standard telephone handset 30 having a microphone and speaker for audio communication with a user. The remainder of the TAD preferably includes a display/touch screen 32 and various keys 34 used to activate functions of the TAD. Some of the keys 34a are arranged as a numeric keypad, similar to standard touch-tone telephones. This allows the TAD to be used as a standard telephone, as well as providing access to alphanumeric input by the user. Another set of keys 34b below the numeric keypad includes other standard telephone functions, such as flash, redial, mute and speaker, which allows audio communication without the handset, as is known.

A third set of keys 34c are used for access to a stored database within the TAD that contains information about callers, as described more fully below. Inputting the information to the database is accomplished similarly to the disclosure of the inventor's above-mentioned U.S. Pat. No. 4,304,968. A fourth and fifth set of keys 34d, 34e are used for accessing identification data about recorded messages and then accessing and retrieving those messages. A key 36 for recording the outgoing message of the TAD is included, as is a standard "on-off" key 38. All of these keys 34a-e, 36, 38 and their functions are described more fully below with respect to the preferred embodiment.

The display/touch screen 32 is shown in a state when several messages have been received and recorded by the TAD. The display preferably indicates the identity 40 and phone number 42 of the callers who recorded the messages, this information preferably being retrieved from the database as described more fully below. Through actuation of the touch screen 32 or keys 34d, 34e, it is possible to playback any of the voice mes-

sages left by the displayed callers, in any sequence, and to perform other functions, such as automatically dialing the particular caller's number to return the call, as described more fully below.

By creating an internal link between the recorded voice message and stored digital database data, an intelligent organized voice/data message (IOVDM) is formed that can be displayed with alphanumeric information, played back as analog recorded voice, processed in a database, etc.

FIG. 2 illustrates the block diagram of the circuit elements comprising an embodiment of the present invention.

The microcontroller 1 is preferably a 68HC11, manufactured by Motorola Semiconductor. The microcontroller internally is comprised of memory 2 containing RAM memory and EPROM memory circuits that are known to those skilled in the art. The RAM memory functions as read/write memory used for string data and temporary system status events of the microcontroller. In the present invention, the RAM memory of the microcontroller 1 is also used for the storage of telephone numbers, names, user identification codes and voice messages. Similarly, the EPROM memory stores the program instructions for the control and operation of the microcontroller. These circuit elements are organized and connected in a data/address and control circuit bus structure 20, the general structure of which is known in the art.

The display controller 3 is a known circuit that converts data and control signals from the microcontroller unit into video signals that produce character and graphic information on the display unit 4. The display controller 3 is preferably a circuit comprising the Signetics 2670, 2672 and 2673 CRT controller integrated circuit set. The display controller 3 drives the display unit 4 to produce visual display output with character and/or graphic indicia to be presented to the user.

The display unit 4 is overlaid with a touch screen 5, such as that available from Microtouch, Wilmington, Mass. The touch screen 5 is an input device that presents an X-Y positional coordinate pair to the microcontroller 1 indicating the position touched on the screen 5. Through the use of software within the microcontroller memory, the touch screen is positionally mapped onto the underlying indicia, allowing the user to select or indicate information and functions displayed on the display unit 4.

The speech recorder/playback and DTMF transceiver circuit 6 is preferably comprised of the DS2271DK speech recorder/playback board manufactured by Dallas Semiconductor, Dallas, Tex. Illustrated in FIG. 2 is the microphone input 7 and the speaker output 8 interfaced to the speech recorder/playback circuit 6 which enables the user to record and playback voice messages.

The function of the voice record/playback circuit 6 is to record voice messages into and from the memory 2, and to later play back these voice messages. Other functions of the circuit 6 include DTMF decoding, line status determination and DTMF generation. The messages are recorded either through the microphone unit 7, which is intended for the recording of the outgoing message, or through the data access arrangement circuit (DAA) 10 that interfaces tip and ring lines to a standard RJ11 jack 11, which is preferably connected to a line on the public telephone line. The voice playback function provides an output voice signal either through the

speaker 8 or through the DAA 10 connected to the telephone line. The DAA 10 is preferably the CH1840 manufactured by Cernetek Microelectronic Company, Sunnyvale, Calif.

The DAA 10 also provides a signal indicating the incoming ring signal status to the microcontroller 1 via wire connection 25 as illustrated. After a preprogrammed number of ring signals, which may be adjustable, the TAD answers the call by providing a signal on line 26. This line, which is connected to the DAA 10 causes the DAA 10 to put the telephone line in the off-hook state, thereby causing the TAD to answer the call.

Voice signals are transmitted to and from the telephone line through the RJ11 connector 11 and pass through the DAA 10 to the voice recorder/playback circuit on RCV and XMIT lines. This voice signal is in analog form when inputted to the voice recorder/playback circuit 6. As illustrated, these connections RCV and XMIT are capacitively coupled between the DAA 10 and the voice recorder/playback circuit. The voice signal is preferably digitized and stored in the voice memory section of the memory 2 by means of the recorder/playback circuit 6, although other storage means, such as analog memory circuits, are possible.

The microcontroller 1 controls the functioning of the voice/playback circuit such as with PLAY, RECORD, ERASE, and STOP signals along with the signals corresponding to message numbers.

The PLAY, RECORD, ERASE, and STOP signals to the recorder/playback circuit 6 are received from the microcontroller via the output bus 13 as illustrated. These control functions are activated by means of the microcontroller toggling pins connected to bus 13, and selecting the desired message number through an output port on the microcontroller 1 via the bus connection 14 as illustrated.

The DTMF signals received from the telephone network are decoded as is known by the voice recorder/playback circuit 6. Through the same circuit, the energy level on the telephone line can be detected, indicating to the microcontroller if there is voice signals on the line (varying energy level), DTMF signals (steady, known energy levels), or a dial tone or silence on the line (steady high or low energy level). The determination of the status of the line, in conjunction with the user setup mode provides input to the decision of the next machine operation, as will be illustrated.

System Operation

FIG. 3 is a flowchart illustrating the answer program mode of the present invention, in which the TAD loops and checks for an incoming call on the telephone line or for the user to activate a key.

As illustrated in FIG. 3, the TAD first determines if the user has pressed a key on the TAD (Decision block 100). This is done by means of the microcontroller reading its RS232 serial data port connected to the touch screen 5 through connection 20 to determine if the screen has been touched. The microcontroller 1 is also connected to monitors the other keys 34a-e on the TAD. If an X-Y coordinate pair is read and the parameters of the X-Y pair map onto the boundaries of a known key, a true key has been depressed and the microcontroller 1 calls the user mode routine (block 101).

If no key has been pressed, the system next tests if a ring signal is available (block 110). If a ring signal is available, determined by reading the state of the DAA

10, the microcontroller then proceeds to block 120 in which it reads the variable stored in memory indicating the number of rings to wait before answering the incoming call (INC). The microcontroller then preferably multiplies this number by 6 (a standard ring is 2 seconds with a 4 second silence gap) and counts down that number of seconds before answering.

As illustrated, during this delay, the microcontroller checks every 6 seconds to determine if the ringing has stopped. If no ring is present, this indicates that the caller hung up. The microcontroller would then return to block 100. If the timer successfully counts down, the system progresses into the outgoing message state (block 150).

The microcontroller causes the DAA to create an off-hook state and then causes the voice/recorder playback circuit 6 to transmit the pre-recorded outgoing message (OGM) through the DAA to the telephone line. The OGM is preferably stored as message #1 in memory 2. As described below, the OGM would include instructions for the caller to enter a home phone number or other caller identifying information.

When the playing of the OGM is completed, the microcontroller preferably waits 5 seconds (block 160). This 5 second grace period prevents malfunction of the TAD due to silence by the natural pause or hesitation of a caller before or during enunciation of a message. At block 170, the microcontroller determines if voice or DTMF signals are being transmitted. The microcontroller can distinguish three states—voice signals, DTMF signals, or silence—by reading the level and modulation of the signals on the telephone line. The DS2271DK voice recorder/playback unit can distinguish between the tones of DTMF signals and the signal level ranges associated with human speech detected on the telephone line. If voice signals are transmitted, the microcontroller executes the voice record routine. If no voice is present on the line, but DTMF signals are being transmitted, the microcontroller executes the DTMF decode routine.

If, however, there is silence on the telephone line for 5 seconds, the microcontroller then causes the DAA to go into the on-hook mode (block 240), thereby hanging up from the call. The TAD now returns to its initial state in the answer mode routine of looping and checking for a user key touch and waiting for a ring signal.

The process for determining line silence, voice energy or DTMF signaling is illustrated in blocks 180, 190 and 200. If block 190 is true (voice energy present), program execution follows to block 220, the record routine. If, however, there is a DTMF tone present, execution follows to block 230, the DTMF decode routine.

Block 220, the record function, is illustrated in FIG. 4 and begins with the allocation of voice memory and data memory at block 300. This function increments a memory variable stored in EPROM that points to the next memory position allocated in the voice memory and data memory stored in memory circuit 2. This process is required in order to organize the data and voice memory and link them together. Memory organization of the TAD is described more fully below.

At block 310, the voice message memory is accessed. The record function is then executed and voice recorder/playback circuit begins digitizing the analog voice and stores this data sequentially in the voice memory 2. The record function is now in process and operating as a parallel task to the task of determining the line status.

At block 320, data is then analyzed at block 330 (is there a dial tone). If this test is false, the block 340 (is there a DTMF tone) is executed.

If both these blocks (330 and 340) generate a false, then control is looped back to block 320, input signal levels, and allows the voice record routine to continue. This looping back will compensate for momentary silence or gaps in the voice message. If block 330 is true, i.e., there is a dial tone, then the voice recording routine is stopped at block 350 and the telephone line is put on-hook at block 370. The TAD then returns to answer mode (shown in FIG. 3) at block 390.

If block 340 is true, then there is a DTMF signal and the record routine is stopped at block 36 and block 380 calls the DTMF decode routine shown in FIG. 5. This routine decodes the DTMF signals keyed into the telephone by the caller and stores the code in memory of the TAD and links it to the voice memory if a voice message is recorded.

Operation is entered to the DTMF decode routine when a DTMF signal is sensed via the input function and begins at block 400 (allocate voice and data memory). This process sets up data memory for receiving the DTMF signaling and links the data memory to voice message memory if a voice message has already been recorded. If a voice message has not yet been recorded it allocates an available message number in case a voice message is left later. This allows the system to be flexible and will allow the user to key in a DTMF I.D. code anytime during the message sequence.

Control proceeds to block 410 to read the levels of the telephone line. At block 420, the microcontroller determines if there is still a DTMF signal on the line.

If block 420 is true, control is looped back to input block 410. This input and test loop continues until the DTMF signal stops indicating either the standard silent interval between DTMF digits or perhaps that the DTMF signaling has been completed and a voice message has been initiated. If decision block 420 generates a false, it is determined at block 430 if a voice signal is present. If a voice signal is present, block 440 passes control back to the record function routine of FIG. 4.

If no voice signal is on the line, block 430 generates a false, and control passes to block 450 in which it is determined if silence or a dial tone is present on the line. Silence indicates an inter-digit silence and control passes to block 470, which stores the decoded DTMF digit and passes control back to block 410 to read the next DTMF digit.

If, however, there is dial tone on the line, indicating that the caller has disconnected, block 450 instead passes control to block 460, which puts the TAD in the on-hook mode and proceeds to block 480. Block 480 passes control to the answer mode routine of FIG. 3. Now, the TAD is ready for a new incoming call or for the user to activate a key function by pressing the touch screen.

Memory Organization

The memory circuit block 2 (FIG. 2) connected to the microcontroller 1 as further illustrated in FIGS. 6, 7 and 8 is the storage means where the user options, commands, data and voice messages are stored and interact with the microcontroller unit 1 and the voice record/playback circuit 6 in order to accomplish the features as taught in the present invention.

The data entered by the user for the functioning of the present invention are textual names of the callers as

they would appear on the display 4. For example, "Sid Ceaser" with the user's identification code, i.e. 497-6201 as well as additional related data. This data is stored in the memory and organized by the database portion of the programming in memory section illustrated in FIG. 6. The address or relative position of this data in the memory section can change as new names are entered or deleted as controlled and organized by database functions in the microcontroller.

The recorded messages which are entered by the caller can be composed either of 1 or 2 parts, a digital data part and a digitized analog part. The first part, which is the digital data portion, is composed of the data acquired by the DTMF decoding function as illustrated in the flowchart of FIG. 4 and is stored as binary numbers in memory section 2 as illustrated in FIG. 7. As explained, this digital data, which is composed of the translated code as entered by the caller from DTMF keypad, also contains an address link byte to the voice message if the user had also recorded a voice message along with this data message.

The voice message memory as required by the voice record/playback circuit 6 is a separate section of the memory, i.e. memory section 3 as illustrated in FIG. 8.

The voice recorder/playback circuit 6 preferably digitizes and compresses the voice message and presents it to the microcontroller which stores it in a specific format in a separate section (section 3) of memory. The format is preferably composed of 128 byte speech records of which each voice message is composed of an integral number of records. The first byte of each record contains a number specifying which message number it is part of. The valid message numbers are preferably 1 to 254 although more, of course, are possible. Therefore, a preferred maximum of 253 messages exists with message 1 being the OGM. This message number in the record is used to link to the digital data message which contains the same message number.

Therefore, as explained, there are three sections of memory which can be linked together by the database program function to form an intelligent organized voice/data message IOVDM) as taught in the present invention.

These memory sections are:

Memory Section 1) The database entry by the user of the names with the associated data, such as telephone number and address, and the caller's ID which could be the caller's home or business telephone number or any unique code. (FIG. 6)

Memory Section 2) The message memory containing caller entered I.D. code data and linked message numbers. (FIG. 7)

Memory Section 3) The message memory containing voice message data recorded by the caller. (FIG. 8)

A message as recorded by the caller can be composed of any of the following types:

1) A voice message alone.

2) A data message alone as described in U.S. Pat. No. 4,304,968 by the inventors of the present invention.

3) A voice message as described in (1) linked to a data message as described in (2) that are linked together into an intelligent organized voice data message (IOVIDM) as taught by the present invention.

The linking together of these separate data memory and voice memory elements in an IOVDM is performed by the database function and displayed on the display. To perform this linking, a reserved byte of memory attached to the data message is stored which indicates

the voice message number it is linked to. The database program code then searches the database entry section in which the user entered the data such as name, address and phone number. If a match is found between these, the information is presented to the user as an IOVDM.

Other ways of linking the voice messages and data messages are possible. In one alternate configuration, each data message precedes its corresponding voice message in contiguous memory bytes.

Example of Operation

For proper functioning of the TAD, it is preferred that database information, such as names, phone numbers and address, personal and/or business reference notes, etc. is entered by the user. Using keys 34c for accessing the database, information, such as "Regis Lamb" and his associated phone number "431-9762" plus other additional information may be entered. As seen in FIG. 6, several telephone numbers can be stored for an individual. Preferably, they would be coded, for example, with an "O", "H", "M" or other letters, signifying "office", "home", "mobile", etc. The database can have as many entries as the user desires and the specific memory size will allow. The user preferably also records the OGM, which would preferably include instructions for the caller to enter his home phone number or caller identifying number on a touch tone phone and then to record a voice message.

It is to be understood that any incoming signals over the telephone line with a voice message that is recognizable by the TAD and is generally unique to the caller may be used instead of DTMF tones.

The unit is then left in the answer mode. Upon receiving a call (detecting rings), the TAD puts the telephone line in an off-hook state (Block 500, FIG. 11) and plays the outgoing message to the caller (Block 510).

If, for example, Regis Lamb were the fourth caller since the messages were last cleared, he would enter his home phone number, as requested by the OGM (Block 520). The microcontroller records the decoded identifying information in memory section 2, along with the available message number, in this case "5", as shown in FIG. 7. The microcontroller then searches all of the phone numbers stored in the database and matches the received phone number to the stored data record and recalls Mr. Lamb's for display as message 4 (Block 530). This is shown on the example display in FIG. 9. The microcontroller also records Mr. Lamb's voice message as message number 5 (FIG. 8), linking that voice message with the recalled data record through the list in memory section 2.

Later, the user would come home and press, for example, the "Display New Messages" key to see a list of the messages as shown in FIG. 9. By pressing on Mr. Lamb's name on the touch screen or the corresponding keypad number, only the fourth message would be played back from the proper location in memory, avoiding having to hear any other unwanted messages (block 540, 550). Simultaneously, the entire data record matching Mr. Lamb could also be displayed on the display while the voice message is being played back (Block 560), as shown in FIG. 10.

By merely pressing, "Return Call," the microprocessor would retrieve the phone number from the data record and produce the DTMF tones on the telephone line to dial Mr. Lamb. If more than one phone number appears on Mr. Lamb's data display, the touch screen or

corresponding keypad number could be used to select and then dial any of the numbers (Block 570, 580).

While the embodiments shown and described are fully capable of achieving the objects of the invention, it is to be understood that these embodiments are shown only for the purpose of illustration and not for the purpose of limitation.

What is claimed is:

1. A telephone answering device coupled to a telephone line for automatically answering incoming telephone calls and storing and retrieving information from the incoming telephone calls comprising:

means for storing a predetermined list of names and associated stored identifying information;

means for receiving first signals from said telephone line, each of said first signals specifying a particular one of a plurality of callers;

means for receiving a voice message from each of said callers on said telephone line and storing said voice message.

means for converting each of said received first signals into received identifying information;

means for linking each received identifying information with the corresponding voice message;

means for comparing each received identifying information with said predetermined list;

means cooperating with said comparing means for simultaneously displaying a plurality of callers' names whose respective received identifying information matches stored identifying information in said list; and

means for allowing a user to select any one of the plurality of simultaneously displayed callers' names from said display means, said selecting means also automatically directly audibly retrieving the voice message associated with the selected caller's name without scrolling individually through either the displayed names or voice messages.

2. The telephone answering device as in claim 1, wherein said means for displaying is also adapted to simultaneously display the corresponding caller's name and associated stored identifying information when the voice message associated with the selected caller is audibly retrieved.

3. The telephone answering device as in claim 1 further comprising input means with a plurality of alphanumeric and function keys for controlling the inputting and retrieval of information from said device.

4. The telephone answering device as in claim 3 including means cooperating with said input means for automatically dialling a caller's number in response to being actuated by the user.

5. The telephone answering device as in claim 4 wherein said number is automatically retrieved from said stored identifying information.

6. The telephone answering device as in claim 3 in which said device is incorporated in a telephone instrument, said input means performing the combined functions of dialling telephone numbers and controlling said device.

7. The telephone answering device as in claim 1 in which said device contains a display means for visually displaying stored identifying information and received identifying information.

8. The telephone answering device as in claim 1 including means for printing out callers' names.

9. The telephone answering device as in claim 1 including means for storing the time of incoming calls.

11

10. The method of automatically answering incoming telephone calls and storing and retrieving information from the incoming telephone calls with a telephone answering device having a memory which is coupled to a telephone instrument comprising the steps of:

- 5 storing a predetermined list of names and associated stored identifying information in said memory;
- receiving signals specifying the caller of each incoming call;
- 10 receiving a voice message from the caller and storing it in said memory;
- converting said received signals into received identifying information;
- 15 comparing said received identifying information with said predetermined list and displaying the caller's name if the received identifying information matches any stored identifying information identical in said predetermined list;
- 20 displaying simultaneously a plurality of callers' names whose respective received identifying information matches stored identifying information in said list;
- linking each displayed caller's name with its corresponding voice message;
- 25 selectively directly retrieving the voice message corresponding to any one of the displayed caller's names by selecting that caller's name without scrolling through either said displayed names or voice messages.

11. A method as in claim 10, further comprising the step of simultaneously displaying the corresponding caller's name and stored identifying information when the voice message associated with the selected caller's name is audibly retrieved.

12. A telephone answering device coupled to a telephone line for automatically answering incoming telephone calls and storing and retrieving information from the incoming telephone calls, comprising:

- 35 means for receiving a signal having an identifier from said telephone line identifying the caller of an incoming call;
- means for receiving a voice message from said caller and storing said voice message;
- means for linking said identifier with the corresponding voice message;
- 45 means for displaying the identifiers for a plurality of incoming calls; and
- means for selecting any one of the identifiers from said display and audibly directly retrieving the voice message linked to the selected identifier without scrolling through individual displayed identifiers.

13. A telephone answering device coupled to a telephone line for automatically answering incoming tele-

12

phone calls and storing and retrieving information from the incoming telephone calls comprising:

- a microcomputer having a read only member (ROM) for providing a program for said microcomputer, a random access memory (RAM) with a plurality of storage sections therein and peripheral interface means for coupling peripheral means to said microcomputer;
- a keyboard means having a plurality of alphanumeric and function keys coupled to said microcomputer by said peripheral interface means;
- an alphanumeric display means mounted on said device and coupled to said microcomputer by said peripheral interface means;
- said RAM having a predetermined list of names and associated identifying information stored therein in a first memory section thereof;
- an analogue telephone interface system coupled between said telephone line and said microcomputer having a line seizing means for connecting said device to said telephone line after a predetermined number of rings;
- a telephone signal converter means coupled between said telephone line and said microcomputer for converting a telephone number transmitted over the telephone line into digital form understandable by said microcomputer;
- a voice recording means coupled between said telephone line and said microcomputer for receiving and storing in digital form a voice message in a second memory section of said RAM;
- said microcomputer comparing converted incoming telephone numbers with said list stored in said first memory section of said RAM;
- means for displaying a caller's name and said incoming telephone numbers which the caller's transmitted telephone number corresponds to a telephone number previously stored in said first memory section, said means for displaying cooperating with said microcomputer and simultaneously displaying a plurality of caller's names;
- means for linking each caller's name to its associated voice message;
- means for allowing a user to select any one of the simultaneously displayed caller's names and for simultaneously audibly retrieving the voice message associated with the selected caller's name from said second memory section without scrolling through individual displayed names or stored voice messages.

14. A telephone answering device as in claim 13 wherein said means for displaying is also adapted to display a caller's name and stored identifying information when the linked voice message is audibly retrieved.

* * * * *

Exhibit B

United States Patent [19]
Klausner et al.

[11] **Patent Number:** 5,572,576
 [45] **Date of Patent:** * Nov. 5, 1996

[54] **TELEPHONE ANSWERING DEVICE
 LINKING DISPLAYED DATA WITH
 RECORDED AUDIO MESSAGE**

[75] **Inventors:** Judah Klausner, Sagaponack, N.Y.;
 Robert Hotto, La Jolla, Calif.

[73] **Assignee:** Klausner Patent Technologies,
 Sagaponack, N.Y.

[*] **Notice:** The portion of the term of this patent
 subsequent to Feb. 1, 2011, has been
 disclaimed.

[21] **Appl. No.:** 188,200

[22] **Filed:** Mar. 15, 1994

Related U.S. Application Data

[63] **Continuation of Ser. No. 881,949, May 12, 1992, Pat. No. 5,390,236, which is a continuation-in-part of Ser. No. 860,699, Mar. 31, 1992, Pat. No. 5,283,818.**

[51] **Int. Cl.⁶** H04M 1/64; H04M 11/00

[52] **U.S. Cl.** 379/67; 379/76; 379/77;
 379/96; 379/97; 379/104; 379/58; 379/354;
 379/357

[58] **Field of Search** 379/67, 88, 89,
 379/58, 96, 142, 199, 97, 70, 74, 77

[56] **References Cited**

U.S. PATENT DOCUMENTS

D. 266,716	2/1989	Weisz et al.	D14/141
D. 309,901	8/1990	Caesar	D14/244
D. 316,024	4/1991	Sharbaugh	D14/141
D. 327,063	6/1992	Panzer	D14/141
4,241,238	12/1980	Strand	179/5.5
4,304,968	12/1981	Klausner et al.	179/6.02
4,469,919	9/1984	Nakamura et al.	179/6.06
4,477,807	10/1984	Nakajima et al.	340/825.44

(List continued on next page.)

FOREIGN PATENT DOCUMENTS

0399520 11/1990 European Pat. Off. H04M 1/72

OTHER PUBLICATIONS

Antonio Ruiz, *Voice and Telephony Applications For The Office Workstation*, IEEE Proceedings 1st International Conference on Computer Workstations, Nov. 11-14, 1985, pp. 158-163.

C. Schmandt and B. Arons, *Phone Slave: A Graphical Telecommunications Interface*, Proceedings of the Society For Information Display (SID) vol. 26, No. 1, 1985, pp. 79-82.

Donald Clysdale and Rudic de Hoog, *Designing Terminals For The Evolving Network*, IEEE International Conference on Communications ICC '90, Apr. 15-19, 1990, pp. 118-122.

Primary Examiner--Jeffery Hofsass

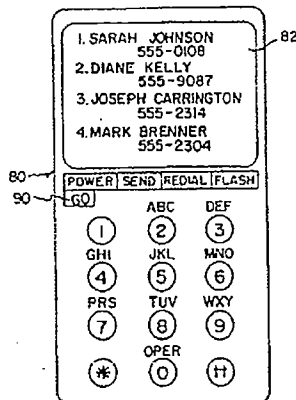
Assistant Examiner--Fan Tsang

Attorney, Agent, or Firm--Darby & Darby, P.C.

[57] **ABSTRACT**

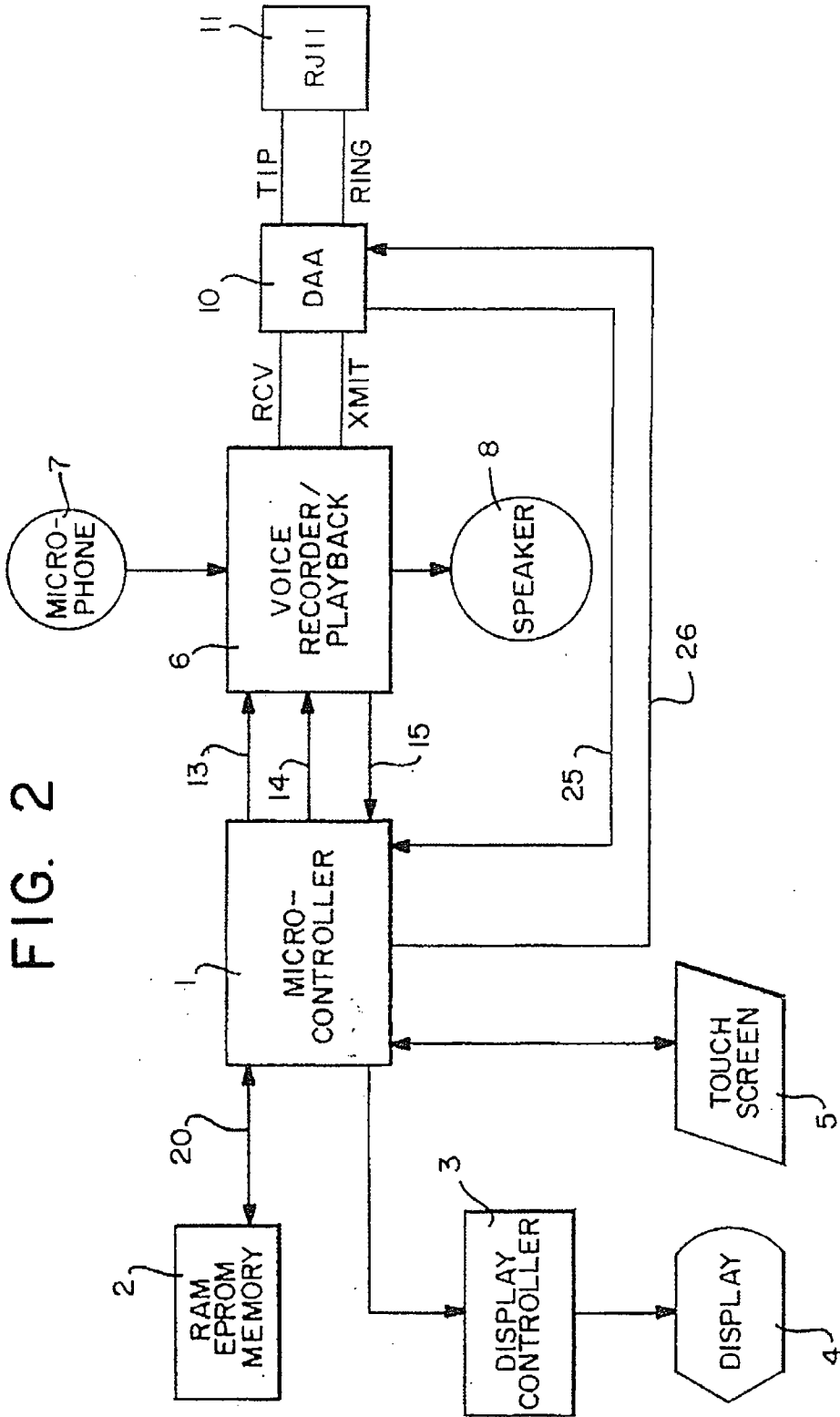
A telephone answering device (TAD) which includes a means of intelligently organizing voice messages, associated entered codes such as personal IDs and home telephone numbers, and information stored in the memory of the TAD. These codes or numbers are decoded by means of the caller entering DTMF signals into the telephone which are recognized, recorded and processed by the TAD. When processed with codes and personal information previously entered into the device's memory, the TAD displays the identity of the callers for each message, thus providing a menu of choices, i.e., a list of callers. This enables the user to access messages in a selective manner based on the identity of the caller. The need to listen to the actual voice messages to determine the caller's identity and the need to listen to the messages sequentially or chronologically is obviated, saving both time and effort. Additionally, because the voice message is also linked to pre-stored additional data in the data base, when hearing a message, one also can view relevant associated information, such as a fax number, etc., that might not have been left in the audio message but might be important. A remote access device is also provided that allows the user to retrieve and display the callers' identities and select a message to be played back from a remote location.

21 Claims, 13 Drawing Sheets



U.S. PATENT DOCUMENTS

4,511,764	4/1985	Nakayama et al.	179/90 AN	4,850,005	7/1989	Hashimoto	379/51
4,517,410	5/1985	Williams et al.	179/6.04	4,853,952	8/1989	Jachmann et al.	379/88
4,600,809	7/1986	Tatsumi et al.	179/2 EA	4,860,339	8/1989	D'Agosto, III et al.	379/67
4,608,460	8/1986	Carter et al.	179/6.11	4,879,743	11/1989	Burke et al.	379/142
4,612,416	9/1986	Emerson et al.	179/6.11	4,894,861	1/1990	Fujioka	379/374
4,720,846	1/1988	Hatton	379/79	4,916,730	4/1990	Hashimoto	379/70
4,759,056	7/1988	Akiyama	379/197	4,924,496	5/1990	Figa et al.	379/142
4,776,002	10/1988	Kammerl	379/88	4,930,152	5/1990	Miller	379/214
4,782,510	11/1988	Szlam	379/88	4,935,954	6/1990	Thompson et al.	379/89
4,790,003	12/1988	Kepley et al.	379/88	4,961,216	10/1990	Bachr et al.	379/57
4,800,582	1/1989	D'Agosto, III et al.	379/216	4,985,913	1/1991	Shalom et al.	379/76
4,802,202	1/1989	Takahashi et al.	379/67	5,003,575	3/1991	Chamberlin et al.	379/89
4,803,717	2/1989	Marui	379/67	5,050,206	9/1991	Shimanuki	379/67
4,805,207	2/1989	McNutt et al.	379/89	5,097,502	3/1992	Suzuki et al.	379/356
4,829,559	5/1989	Izawa et al.	379/96	5,163,082	11/1992	Karnowski	379/88
				5,301,227	4/1994	Kamei et al.	379/58



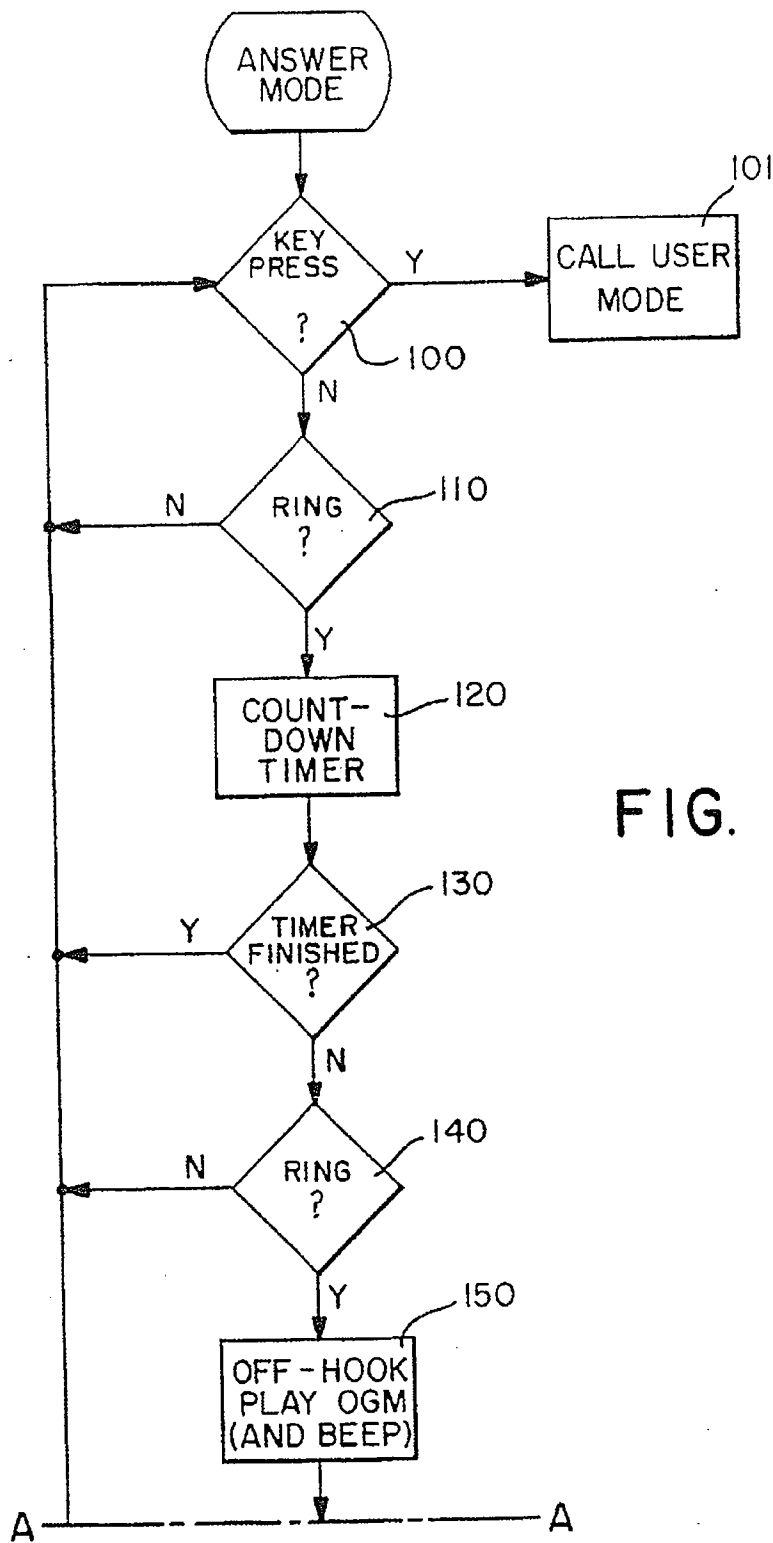


FIG. 3A

FIG. 3B

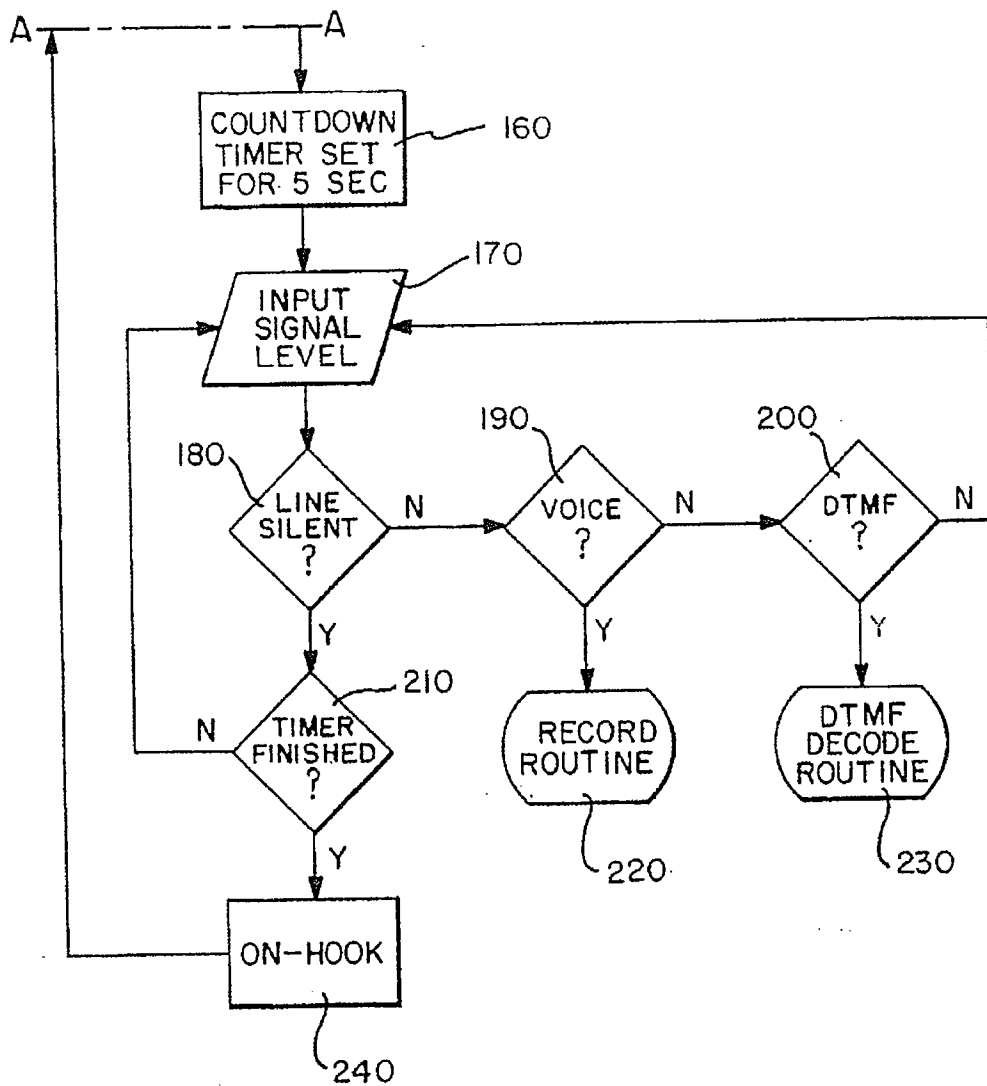
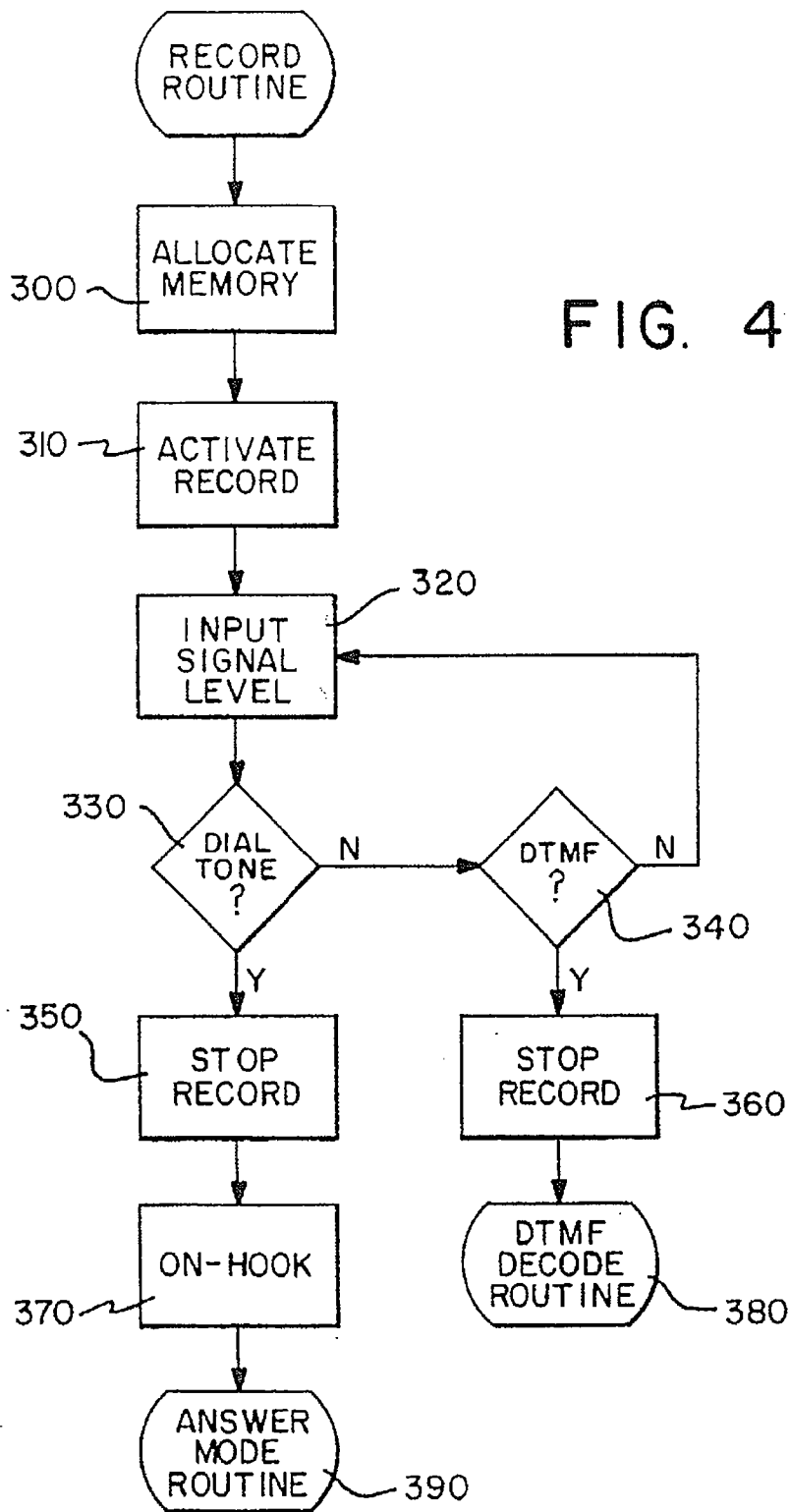


FIG. 4



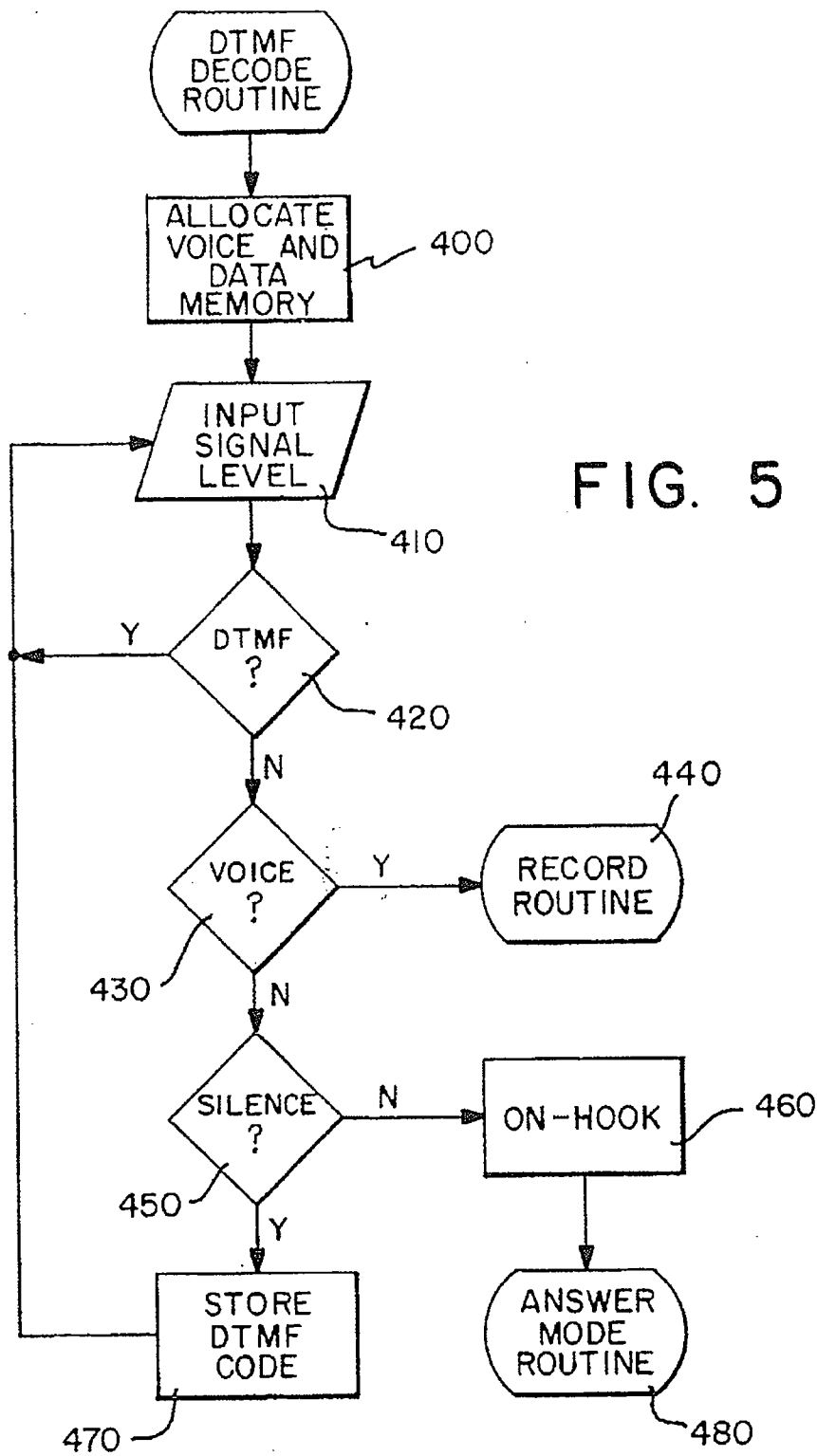


FIG. 5

FIG. 6 FIG. 7 FIG. 8

MEMORY SECTION 1

1. THORNTON ALUCKET -
 417-6832(H), 371-6288(O), 230
 WEST RD., FAIRVIEW CITY,
 VICE PRESIDENT RLB CORP.
 2. SID CEASER - 497-6201(H)
 331-2677(P), ROCKWELL
 DRIVE #34, PISTON LAKES,
 BIRTHDAY 11/17/16
 3. PAT DOBBS - 661-4199(O)
 817-3121(H)
 4. LUCY FROCK - 637-4064(H),
 12 E9ST. N.Y.C., 229-8019 (F)
 5. FRAN GRILLARD - 729-6555
 (H), 219-8663(O), 919-3342(F), 407
 NEWTON LANE, PIANO TUNER
 6. REGIS LAMB - 431-9762(H),
 211-0162(M), 431-2400(O),
 684-3199(F), 34 E. 6 ST.

MEMORY SECTION 2

497-6201 (2)
 661-4199 (3)
 786-5035 (4)
 431-9762(5)

MEMORY SECTION 3

1. "PLEASE DIAL IN YOUR
 PHONE NUMBER ON A TOUCH
 TONE PHONE AND THEN
 LEAVE A MESSAGE. THANK
 YOU."
 2. "HI, THIS IS SID. PLEASE
 BRING THE YELLOW
 BALLOONS WHEN YOU COME
 OVER TONIGHT."
 3. "MS. DOBBS HERE. I'LL BE
 IN MY OFFICE TILL 5:30,
 THEN AT HOME."
 4. "YOUR FRIEND ALICE, SEE
 YOU LATER TONIGHT."
 5. "THIS IS MR. LAMB. I'LL BE
 IN MY CAR UNTIL ABOUT
 4:00 P.M."

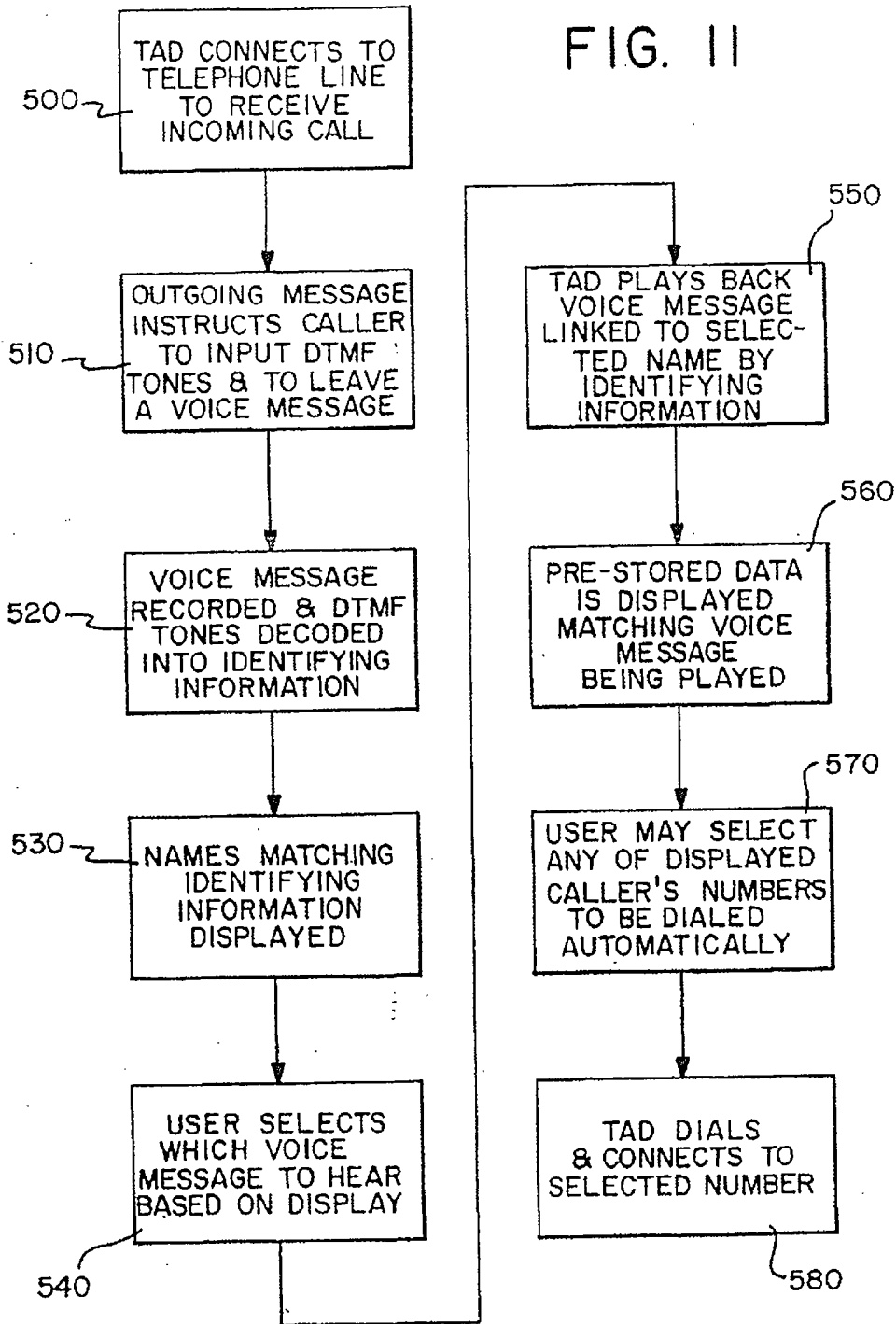
FIG. 9

1. SID CEASER - 497-6201
2. PAT DOBBS - 661-4199
3. ALICE POOB - 786-5035
4. REGIS LAMB - 431-9762
5. MARY PRESTO - 382-6579
6. WILLY SMITH - 887-7200

FIG. 10

REGIS LAMB
HOME # 431-9762
MOBILE # 211-0162
OFFICE # 431-2400
FAX # 684-3199
34 E. 6 ST.

FIG. 11



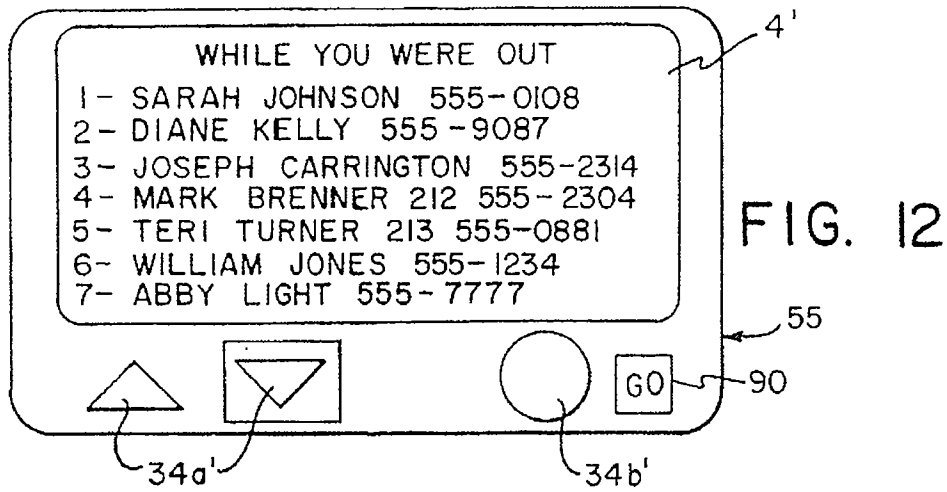
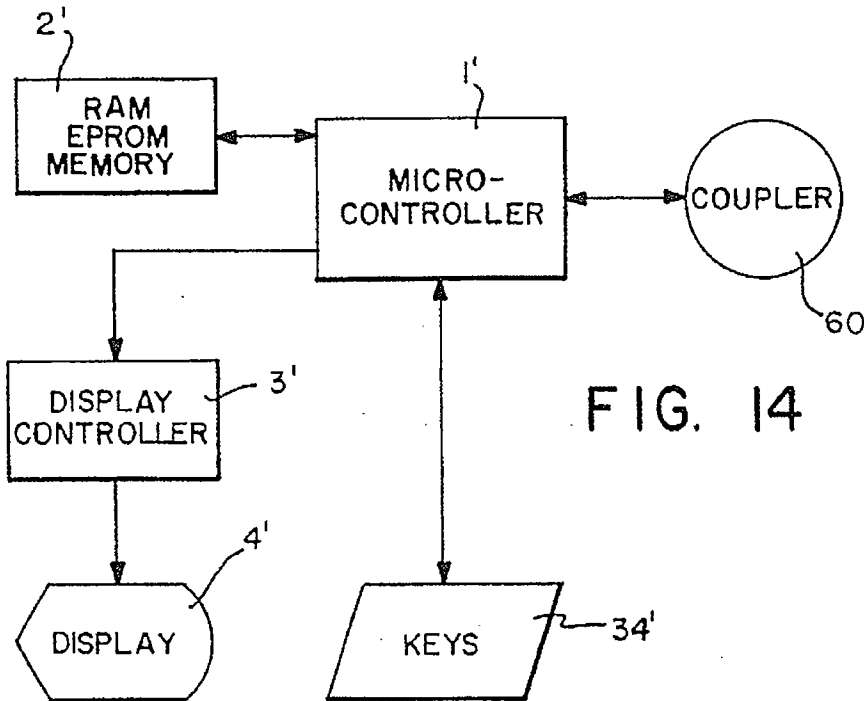
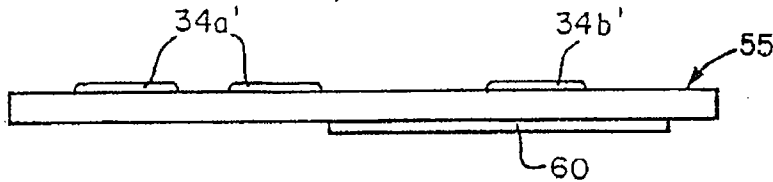


FIG. 13



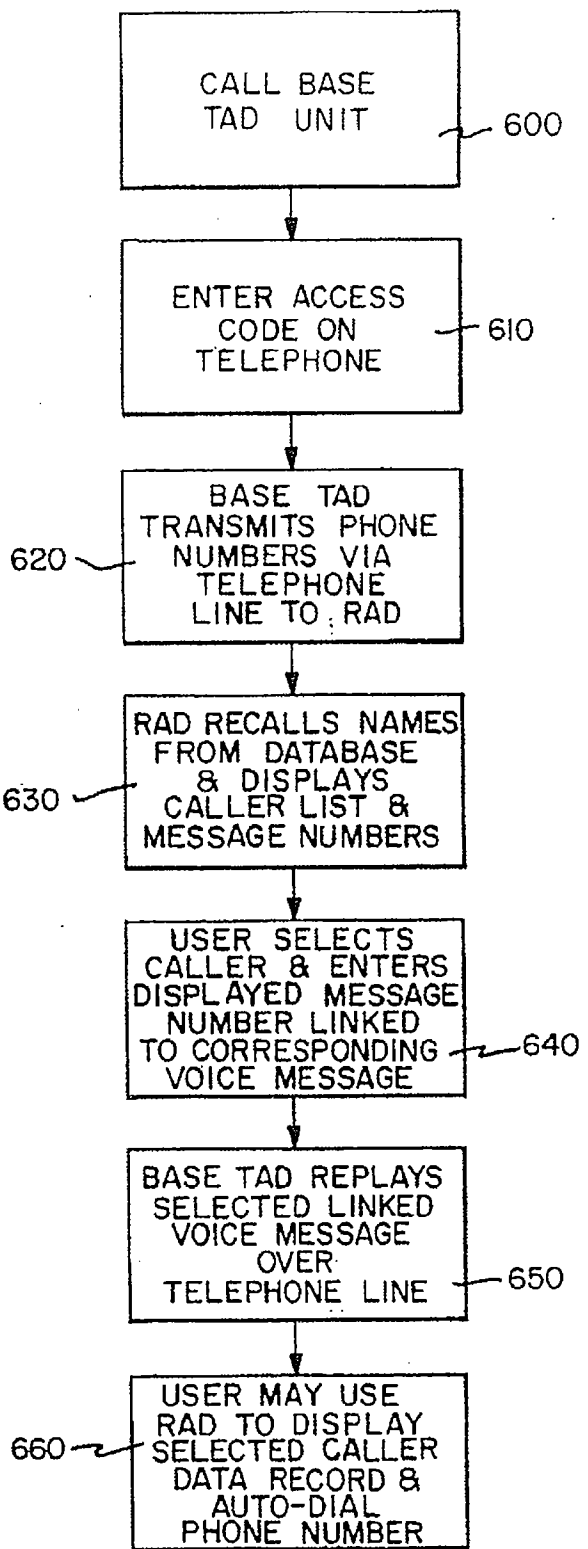


FIG. 15

FIG. 16

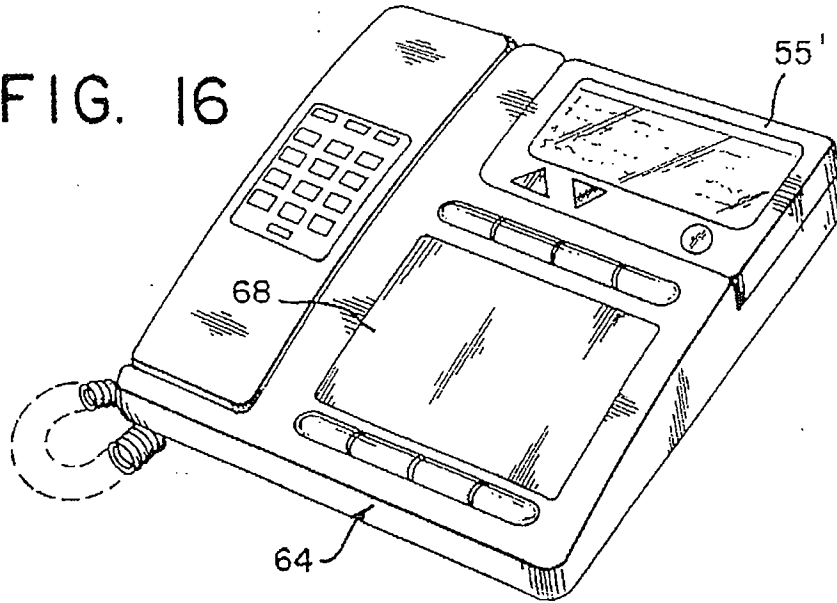


FIG. 17

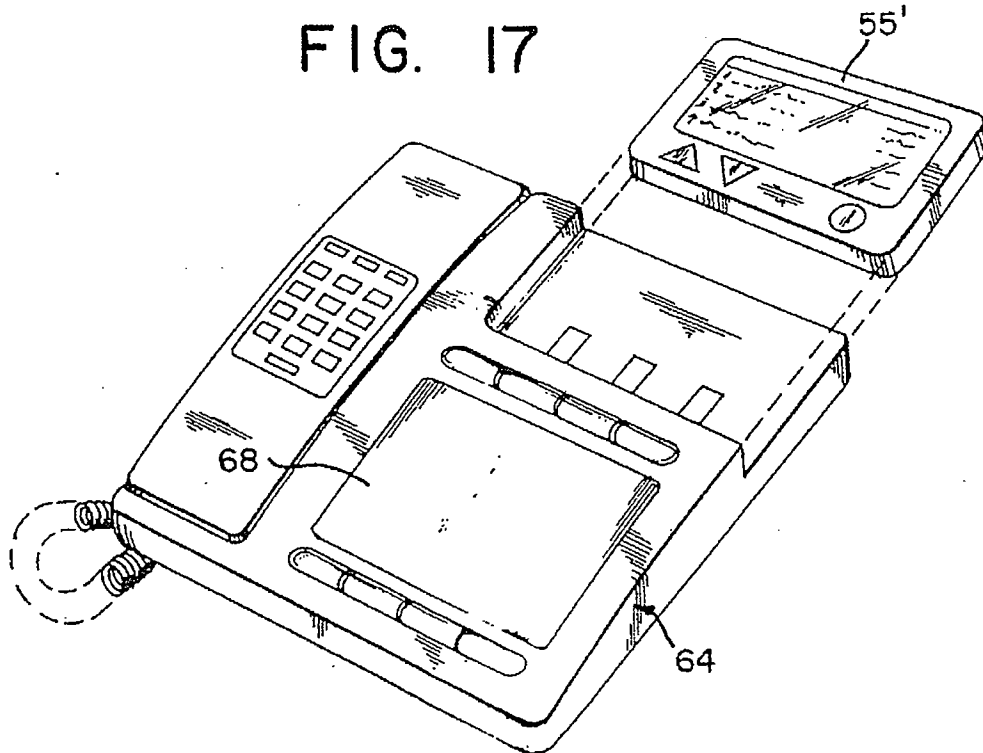


FIG. 19

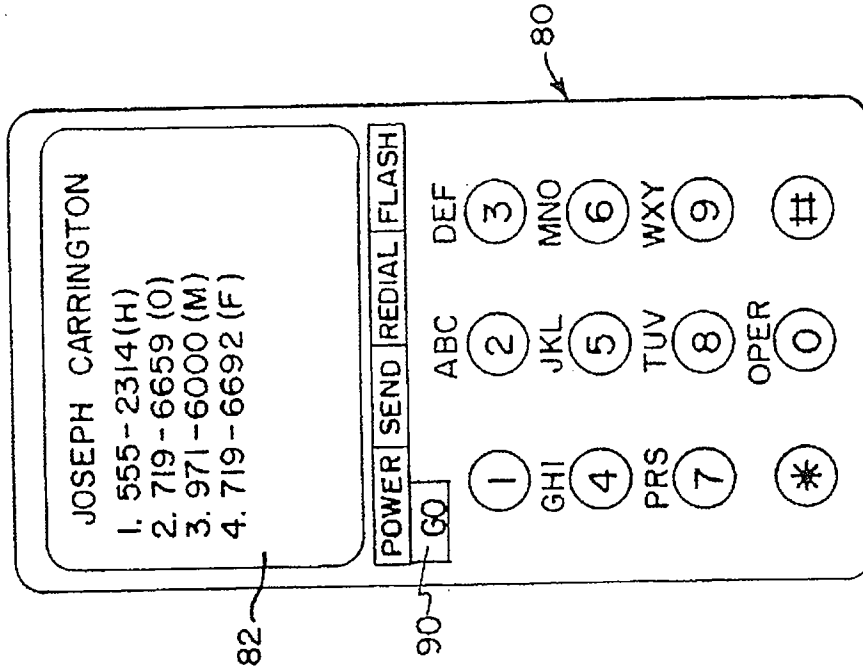
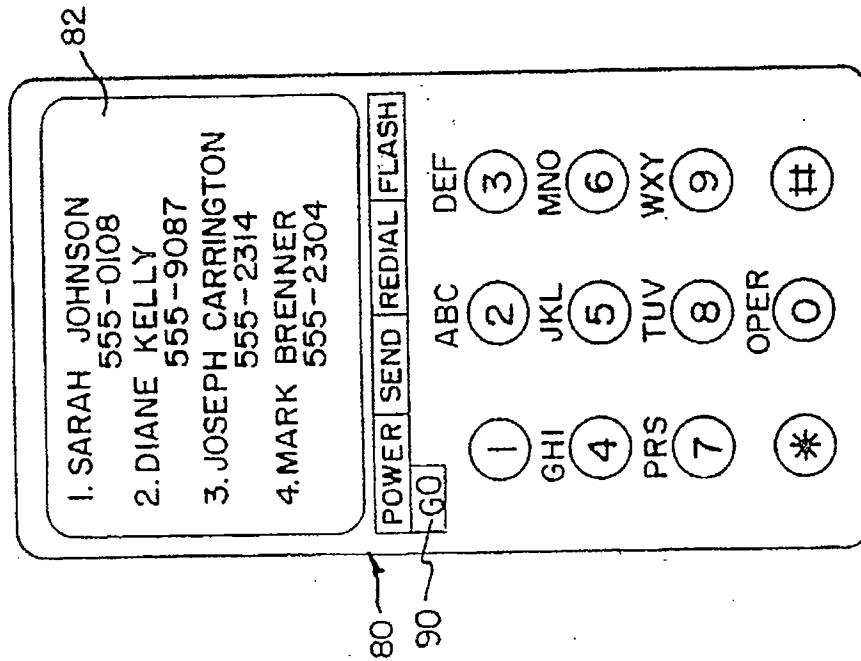


FIG. 18



**TELEPHONE ANSWERING DEVICE
LINKING DISPLAYED DATA WITH
RECORDED AUDIO MESSAGE**

This application is a continuation of our application Ser. No. 07/881,949, filed May 12, 1992, which is now U.S. Pat. No. 5,390,236, issued Feb. 14, 1995, which is a continuation-in-part application of our application Ser. No. 07/860,699, filed Mar. 31, 1992, which is now U.S. Pat. No. 5,283,818, issued Feb. 1, 1994.

FIELD OF THE INVENTION

The present invention relates to a device for recording and recalling messages received through telecommunication. More specifically, the invention relates to a telephone answering device that displays information about messages recorded within the device and provides selective access to those messages based on the displayed information.

BACKGROUND OF THE INVENTION

Most everyone is well acquainted with the standard telephone answering machine. Such a machine is hooked up to a telephone and by means of a tape recorder device and magnetic tape, it records oral messages from the caller. While such a machine has the advantage of allowing the user to receive messages when he is not present and cannot answer the phone, it has several disadvantages:

- (1) The owner of the machine must play back many minutes of taped voice messages just to know who has called.
- (2) The owner can not intelligently search for a specific caller's recorded message.
- (3) To retain a list for later callback after listening to messages, the owner must either keep tape uneraser, or must copy down the list with a pen and paper.
- (4) The caller must speak his name, phone number, etc. into his phone which is then transmitted through the phone system and recorded on the answering machine on the other end of the line. Since many callers feel uncomfortable talking to machines, some callers don't leave messages and merely hang up the phone.
- (5) An additional inconvenience occurs when the user wishes to retrieve stored messages by phone. He must on occasion hang on the phone for many minutes for all recorded voice messages to be played in their entirety and must copy with pen and paper in order to have a hard copy. This is not only inconvenient, but may be quite costly, particularly if the call to retrieve messages is a long distance call and the user is interested in a particular message that is preceded by a number of lengthy, less interesting, voice messages.

A partial solution to many of these disadvantages was offered by the "Telephone Electronic Answering Device" (TEAD) by the present inventors, disclosed in U.S. Pat. No. 4,304,968, which is incorporated herein by reference. The TEAD is capable of receiving and storing messages such as the callers' names and telephone numbers and times of receipt of such messages by converting dual tone touch tone frequencies (DTMF) or rotary dial pulses, generated by the caller dialing his own phone number, into proper digital data representing the caller's phone number and indicating the caller's name if pre-stored in memory by the user. The entire pre-stored message could then be retrieved and displayed on command on a display provided on the TEAD or printed out to provide a permanent record.

The message stored by the TEAD, however, is limited. It only includes information pre-stored in its internal memory that is associated with a caller's phone number, or, in some instances, only the caller's number and the time of day. It is known that in many environments, caller's wish to leave more information in their messages, such as the urgency of the call. In many cases, a return call is not necessary if a simple descriptive message is left. With the TEAD, the user would have to call back the caller to get any such message in person, wasting time, effort and telephone line charges. The TEAD does provide some mechanism for leaving slightly more information by selecting from a limited menu of messages, such as "Urgent," but playing that menu for the caller takes time and the menu choices will only cover a very few limited choices of the messages that callers actually want to leave.

To retrieve messages over the phone, a similar TEAD can be used from a remote telephone. The user can call his own "base" TEAD and cause it to output the DTMF tones for all the received calls in rapid succession over the phone line. These are received acoustically by the remote TAD and converted, as with the base TEAD, and displayed. Of course, the displayed messages have only the same limited information as the base unit's display.

Also currently available are voice mail systems, which organize voice messages according to the called party. Each stored message is associated with one or more persons that are service members of the voice mail system. Each voice message to a called party is then organized sequentially in chronological order as in the prior art sequential tape recording answering devices. These voice mail systems lack the ability to access a voice message selectively by name, since there is no way a user can determine the identity of any of the callers without listening to the messages.

It is also known that digital recording of voice messages can be used to replace the magnetic tape, but again selective accessing of a particular individual's messages in selective order is not possible.

SUMMARY OF THE INVENTION

Thus, it is an object of the invention to provide a telephone answering device ("TAD") that allows visual identification of callers' identities and selective access to their linked recorded voice messages.

It is a further object that the TAD provide a link between each recorded voice message and personal information prestored in data base memory related to that caller.

It is a further object of the invention to provide a TAD that displays a list of all caller's identities and that displays such list so that the user may selectively access the voice message associated with a given caller without having to listen to all preceding voice messages.

It is another object of the invention that visual identification of the callers' identities and the ability to selectively access their linked recorded messages is possible remotely over the telephone lines.

In accordance with the objects of the invention, a telephone answering device (TAD) is provided which includes a means of intelligently organizing voice messages, associated entered codes such as personal IDs and home telephone numbers, and information stored in the memory of the TAD. These codes or numbers are decoded by means of the caller entering DTMF signals into the telephone which are recognized, recorded and processed by the TAD. When processed with codes and personal information previously entered into

the device's memory, the TAD displays the identity of the caller for each message, thus providing a menu of choices in the form of a list of the callers' names. This enables the user to access individual messages in a selective manner based on the identity of the caller. The need to listen to the actual voice messages to determine the caller's identity and the need to listen to the messages sequentially or chronologically is obviated, saving time and effort. Additionally, the voice message is also linked to pre-stored additional data in the data base. Thus, when hearing a message, one also can view relevant associated information, such as a fax number, alternate phone number, etc., that might not have been left in the audio message but might be important.

A remote access device is also provided that allows the user to retrieve and display the callers' identities and select a message to be played back from a remote location.

BRIEF DESCRIPTION OF THE DRAWINGS

The above and other objects and advantages will become apparent to those skilled in the art upon reviewing the detailed description of the preferred embodiments in conjunction with a review of the appended drawings, in which:

FIG. 1 is a front perspective view of a telephone answering device according to the present invention;

FIG. 2 is a block diagram illustrating the major functional circuit blocks and their connections of the TAD;

FIGS. 3A-3B are a flowchart illustrating the answer mode of the present invention;

FIG. 4 is a flowchart illustrating the record mode of the present invention;

FIG. 5 is a flowchart illustrating the DTMF decode routine of the present invention;

FIG. 6 is a chart illustrating the contents of a first memory section of the invention;

FIG. 7 is a chart illustrating the contents of a second memory section;

FIG. 8 is a chart illustrating the contents of a third memory section;

FIG. 9 is an illustration of the display of the invention, listing received calls;

FIG. 10 is an illustration of the display recalling information linked to one of the callers;

FIG. 11 is a flowchart illustrating a typical operation of the present invention; and

FIG. 12 is a front view of a remote access device according to the invention;

FIG. 13 is a side view of a remote access device;

FIG. 14 is a schematic of the components and their interconnections in the remote access device according to the invention;

FIG. 15 is a flowchart illustrating operation of the remote access device;

FIG. 16 is a perspective view of a modified telephone answering device including a remote access device;

FIG. 17 is a perspective view of a modified telephone answering device with the remote access device detached; and

FIGS. 18-19 are front views of a mobile telephone including a remote access device according to the invention.

DETAILED DESCRIPTION OF THE PREFERRED EMBODIMENTS

FIG. 1 illustrates the front perspective view of a telephone answering device (TAD) 25 according to the invention. The

TAD preferably includes a standard telephone handset 30 having a microphone and speaker for audio communication with a user. The remainder of the TAD preferably includes a display/touch screen 32 and various keys 34 used to activate functions of the TAD. Some of the keys 34a are arranged as a numeric keypad, similar to standard touch-tone telephones. This allows the TAD to be used as a standard telephone, as well as providing access to alphanumeric input by the user. Another set of keys 34b below the numeric keypad includes other standard telephone functions, such as flash, redial, mute and speaker, which allows audio communication without the handset, as is known.

A third set of keys 34c are used for access to a stored database within the TAD that contains information about callers, as described more fully below. Inputting the information to the database is accomplished similarly to the disclosure of the inventor's above-mentioned U.S. Pat. No. 4,304,968 or in any fashion known in the art. A fourth and fifth set of keys 34d, 34e are used for accessing identification data about recorded messages and then accessing and retrieving those messages. A key 36 for recording the outgoing message of the TAD is included, as is a standard "on-off" key 38. All of these keys 34a-e, 36, 38 and their functions are described more fully below with respect to the preferred embodiment. Of course, other arrangements of keys and input devices are contemplated by the invention.

The display/touch screen 32 is shown in a state when several messages have been received and recorded by the TAD. The display preferably indicates the identity 40 and phone number 42 of the callers who recorded the messages, the identity information preferably being retrieved from the database as described more fully below. Through actuation of the touch screen 32 or keys 34d, 34e, it is possible to playback any of the voice messages left by the displayed callers, in any sequence, and to perform other functions, such as automatically dialing the particular caller's number to return the call, as described more fully below.

By creating an internal link between the recorded voice message and stored digital database data, an intelligent organized voice/data message (IOVDM) is formed that can be displayed with alphanumeric information, played back as analog recorded voice, processed in a database, etc.

FIG. 2 illustrates the block diagram of the circuit elements comprising an embodiment of the present invention.

The microcontroller 1 is preferably a 68HC11, manufactured by Motorola Semiconductor. The microcontroller internally is comprised of memory 2 containing RAM memory and EPROM memory circuits that are known to those skilled in the art. The RAM memory functions as read/write memory used for storing data and temporary system status events of the microcontroller. In the present invention, the RAM memory of the microcontroller 1 is also used for the storage of telephone numbers, names, user identification codes, other information about callers, and voice messages. Similarly, the EPROM memory stores the program instructions for the control and operation of the microcontroller. These circuit elements are organized and connected in a data/address and control circuit bus structure 20, the general structure of which is known in the art.

The display controller 3 is a known circuit that converts data and control signals from the microcontroller unit into video signals that produce character and graphic information on the display unit 4. The display controller 3 is preferably a circuit comprising the Signetics 2670, 2672 and 2673 CRT controller integrated circuit set. The display controller 3 drives the display unit 4 to produce visual display output;

with character and/or graphic indicia to be presented to the user.

The display unit 4 is overlaid with a touch screen 5, such as that available from Microtouch, Wilmington, Mass. The touch screen 5 is an input device that presents an X-Y positional coordinate pair to the microcontroller 1 indicating the position touched on the screen 5. Through the use of software within the microcontroller memory, the touch screen is positionally mapped onto the underlying indicia, allowing the user to select or indicate information and functions displayed on the display unit 4.

The speech recorder/playback and DTMF transceiver circuit 6 is preferably comprised of the DS2271DK speech recorder/playback board manufactured by Dallas Semiconductor, Dallas, Tex. Illustrated in FIG. 2 is the microphone input 7 and the speaker output 8 interfaced to the speech recorder/playback circuit 6 which enables the user to record and playback voice messages.

The function of the voice record/playback circuit 6 is to record speech messages into and from the memory 2, and to later play back these voice messages. Other functions of the circuit 6 include DTMF decoding, line status determination and DTMF generation. The messages are recorded either through the microphone unit 7, which is intended for the recording of the outgoing message, or through the data access arrangement circuit (DAA) 10 that interfaces tip and ring lines to a standard RJ11 jack 11, which is preferably connected to a line on the public telephone network. The voice playback function provides an output voice signal either through the speaker 8 or through the DAA 10 connected to the telephone line. The DAA 10 is preferably the CH1840 manufactured by Cermetek Microelectronic Company, Sunnyvale, Calif.

The DAA 10 also provides a signal indicating the incoming ring signal status to the microcontroller 1 via wire connection 25 as illustrated. After a preprogrammed number of ring signals, which may be adjustable, the TAD answers the call by providing a signal on line 26 to the DAA 10, which causes the DAA 10 to put the telephone line in the off-hook state, thereby causing the TAD to answer the call.

Voice signals are transmitted to and from the telephone line through the RJ11 connector 11 and pass through the DAA 10 to the voice recorder/playback circuit on RCV and XMIT1 lines. Voice signals are in analog form when inputted to the voice recorder/playback circuit 6. As illustrated, these connections RCV and XMIT1 are capacitively coupled between the DAA 10 and the voice recorder/playback circuit. The voice signal is preferably digitized and stored in the voice memory section of the memory 2 by means of the recorder/playback circuit 6, although other storage means, such as analog memory circuits, are possible.

The microcontroller 1 controls the functioning of the voice/playback circuit such as with PLAY, RECORD, ERASE, and STOP signals along with the signals corresponding to message numbers.

The PLAY, RECORD, ERASE, and STOP signals to the recorder/playback circuit 6 are received from the microcontroller via the output bus 13 as illustrated. These control functions are activated by means of the microcontroller toggling pins connected to bus 13, and selecting the desired message number through an output port on the microcontroller 1 via the bus connection 14 as illustrated.

The DTMF signals received from the telephone network are decoded as is known by the voice recorder/playback circuit 6. Through the same circuit, the energy level on the telephone line can be detected, indicating to the microcon-

troller if there is voice signals on the line (varying energy level), DTMF signals (steady, known energy levels), or a dial tone or silence on the line (steady high or low energy level). The determination of the status of the line, in conjunction with the user setup mode provides input to the decision of the next machine operation, as will be illustrated.

System Operation

FIG. 3 is a flowchart illustrating the answer program mode of the present invention, in which the TAD loops and checks for an incoming call on the telephone line or for the user to activate a key.

As illustrated in FIG. 3, the TAD first determines if the user has pressed a key on the TAD (Decision block 100). This is done by means of the microcontroller reading its RS232 serial data port connected to the touch screen 5 through connection 20 to determine if the screen has been touched. The microcontroller 1 is also connected to and monitors the other keys 34a-e on the TAD. If an X-Y coordinate pair is read and the parameters of the X-Y pair map onto the boundaries of a known key, a true key has been depressed and the microcontroller 1 calls the user mode routine (block 101).

If no key has been pressed, the system next tests if a ring signal is available (block 110). If a ring signal is available, determined by reading the state of the DAA 10, the microcontroller then proceeds to block 120 in which it reads the variable stored in memory indicating the number of rings to wait before answering the incoming call (INC). The microcontroller then preferably multiplies this number by 6 (a standard ring is 2 seconds with a 4 second silence gap) and counts down that number of seconds before answering.

As illustrated, during this delay, the microcontroller checks every 6 seconds to determine if the ringing has stopped. If no ring is present, this indicates that the caller hung up. The microcontroller would then return to block 100. If the timer successfully counts down, the system progresses into the outgoing message state (block 150).

The microcontroller causes the DAA to create an off-hook state and then causes the voice/recorder playback circuit 6 to transmit the pre-recorded outgoing message (OGM) through the DAA to the telephone line. The OGM is preferably stored as message #1 in memory 2. As described below, the OGM includes instructions for the caller to enter a home phone number or other caller identifying information.

When the playing of the OGM is completed, the microcontroller preferably waits 5 seconds (block 160). This 5 second grace period prevents malfunction of the TAD due to silence by the natural pause or hesitation of a caller before or during enunciation of a message. At block 170, the microcontroller determines if voice or DTMF signals are being transmitted. The microcontroller can distinguish three states during a call—voice signals, DTMF signals, or dial tone/silence—by reading the level and modulation of the signals on the telephone line. The DS2271DK voice recorder/playback unit can distinguish between the tones of DTMF signals and the signal level ranges associated with human speech detected on the telephone line. If voice signals are detected, the microcontroller immediately executes the voice record routine. If no voice is present on the line, but DTMF signals are being transmitted, the microcontroller executes the DTMF decode routine.

If, however, there is dial tone/silence on the telephone line for 5 seconds, the microcontroller causes the DAA to go into the on-hook mode (block 240), which hangs up the phone

and terminates the call. The TAD now returns to its initial state in the answer mode routine of looping and checking for a user key touch and waiting for a ring signal.

The process for determining line silence, voice energy or DTMF signaling is illustrated in blocks 180, 190 and 200. If block 190 is true (voice energy levels present), program execution follows to block 220, the record routine. If, however, there is a DTMF tone present, execution follows to block 230, the DTMF decode routine.

Block 220, the record function, is illustrated in FIG. 4 and begins with the allocation of voice memory and data memory at block 300. This function increments a memory variable stored in EPROM that points to the next memory position allocated in the voice memory and data memory stored in memory circuit 2. This process is a preferred way to help organize the data and voice memory and link them together. Memory organization of the TAD is described more fully below.

At block 310, the voice message memory is accessed. The record function is then executed and voice recorder/playback circuit begins digitizing the analog voice and stores this data sequentially in the voice memory 2. The record function is now in process and operating as a parallel task to the task of determining the line status. At block 320, data is then analyzed at block 330 (is there a dial tone). If this test is false, the block 340 (is there a DTMF tone) is executed.

If both these blocks (330 and 340) generate a false, then control is looped back to block 320, input signal levels, and allows the voice record routine to continue. This looping back will compensate for momentary silence or gaps in the voice message. If block 330 is true, i.e., there is a dial tone, then the voice recording routine is stopped at block 350 and the telephone line is put on-hook at block 370. The TAD then returns to answer mode (shown in FIG. 3) at block 390.

If block 340 is true, which means there is a DTMF signal, the record routine is stopped at block 360 and block 380 calls the DTMF decode routine shown in FIG. 5. This routine decodes the DTMF signals keyed into the telephone by the caller and stores the code in memory of the TAD and links it to the voice memory if a voice message is recorded.

Operation is transferred to the DTMF decode routine when a DTMF signal is sensed on the telephone line, the routine begins at block 400 (allocate voice and data memory). This process sets up data memory for receiving the DTMF signaling and links the data memory to voice message memory if a voice message has already been recorded. If a voice message has not yet been recorded it allocates an available message number in case a voice message is left later. This allows the system to be flexible and will allow the caller to key in a DTMF I.D. code anytime during the message sequence.

Control proceeds to block 410 to read the levels of the telephone line. At block 420, the microcontroller determines if there is still a DTMF signal on the line.

If block 420 is true, control is looped back to input block 410. This input and test loop continues until the DTMF signal stops indicating either the standard silent interval between DTMF digits or perhaps that the DTMF signaling has been completed and a voice message has been initiated. If decision block 420 generates a false, it is determined at block 430 if a voice signal is present. If a voice signal is present, block 440 passes control back to the record function routine of FIG. 4.

If no voice signal is on the line, block 430 generates a false, and control passes to block 450 in which it is determined if silence or a dial tone is present on the line. Silence

indicates an inter-digit silence and control passes to block 470, which stores the decoded DTMF digit and passes control back to block 410 to read the next DTMF digit.

If, however, there is dial tone on the line, indicating that the caller has disconnected, block 450 instead passes control to block 460, which puts the TAD in the on-hook mode and proceeds to block 480. Block 480 passes control to the answer mode routine of FIG. 3. Now, the TAD is ready for a new incoming call or for the user to activate a key function by pressing the touch screen.

Memory Organization

The memory circuit block 2 (FIG. 2) connected to the microcontroller 1 as further illustrated in FIGS. 6, 7 and 8 is the storage means where the user options, commands, data and voice messages are stored and interact with the microcontroller unit 1 and the voice record/playback circuit 6 in order to accomplish the features as taught in the present invention.

The data entered by the user for the functioning of the present invention includes textual names of the callers as they would appear on the display 4, for example, "Sid Ceaser," as well as user's identification code, i.e., 497-6201, and additional related data. This data is stored in the memory and organized by the database portion of the programming in memory section 1 illustrated in FIG. 6. The address or relative position of this data in the memory section can change as new names are entered or deleted as controlled and organized by database functions in the microcontroller.

The recorded messages which are entered by the caller can be composed either of 1 or 2 parts, a digital data part and a digitized analog part. The first part, which is the digital data portion, is composed of the data acquired by the DTMF decoding function as illustrated in the flowchart of FIG. 4 and is stored as binary numbers in memory section 2 as illustrated in FIG. 7. As explained, this digital data, which is composed of the translated code as entered by the caller from DTMF keypad, preferably also contains an address link byte to the voice message if the user had also recorded a voice message along with this data message.

The voice message memory as required by the voice record/playback circuit 6 is a separate section of the memory, i.e. memory section 3 as illustrated in FIG. 8.

The voice recorder/playback circuit 6 preferably digitizes and compresses the voice message and presents it to the microcontroller which stores it in a specific format in a separate section (section 3) of memory. The format is preferably composed of 128 byte speech records of which each voice message is composed of an integral number of records. The first byte of each record contains a number specifying which message number it is part of. The valid message numbers are preferably 1 to 254 although more, of course, are possible. Therefore, a preferred maximum of 253 incoming messages exists with message 1 being the OGM. The message number in the record is used to link to the digital data message which contains the same message number.

Therefore, as explained, there are three sections of memory which can be linked together by the database program function to form an intelligent organized voice/data message (IOVDM) as taught in the present invention.

These memory sections are:

Memory Section 1) The database entry by the user of the names with the associated data, such as telephone number and address, and the caller's I.D. which could be the caller's

home or business telephone number or any unique code. (FIG. 6)

Memory Section 2) The message memory containing caller entered I.D. code data and linked message numbers. (FIG. 7)

Memory Section 3) The message memory containing voice message data recorded by the caller. (FIG. 8)

A message as recorded by the caller can be composed of any of the following types:

- 1) A voice message alone.
- 2) A data message alone as described in U.S. Pat. No. 4,304,968 by the inventors of the present invention.
- 3) A voice message as described in (1) linked to a data message as described in (2) that are linked together into an intelligent organized voice data message (IOVDM) as taught by the present invention.

The linking together of these separate data memory and voice memory elements in an IOVDM is performed by the database function and displayed on the display. To perform this linking, a reserved byte of memory attached to the data message is stored which indicates the voice message number it is linked to. The database program code then searches the database entry section in which the user entered the data such as name, address and phone number. If a match is found between these, the information is presented to the user as an IOVDM.

Other ways of linking the voice messages and data messages are possible. In one alternate configuration, each data message precedes its corresponding voice message in contiguous memory bytes.

Example of Operation

For proper functioning of the TAD, it is preferred that database information, such as names, phone numbers and address, personal and/or business reference notes, etc. is entered by the user. Using keys 34c for accessing the database, information, such as "Regis Lamb" and his associated phone number "431-9762" plus other additional information may be entered. As seen in FIG. 6, several telephone numbers can be stored for an individual. Preferably, they would be coded, for example, with an "O", "H", "M" or other letters, signifying "office", "home", "mobile" etc. The database can have as many entries as the user desires and the specific memory size will allow. The user preferably also records the OGM, which would preferably include instructions for the caller to enter his home phone number or caller identifying number on a touch tone phone and then to record a voice message.

It is to be understood that any incoming signals over the telephone line with a voice message that is recognizable by the TAD and is generally unique to the caller may be used instead of DTMF tones.

The unit is then left in the answer mode. Upon receiving a call (detecting rings), the TAD puts the telephone line in an off-hook state (Block 500, FIG. 11) and plays the outgoing message to the caller (Block 510).

If, for example, Regis Lamb were the fourth caller since the messages were last cleared, he would enter his home phone number, as requested by the OGM (Block 520). The microcontroller records the decoded identifying information in memory section 2, along with the available message number, in this case "5", as shown in FIG. 7. The microcontroller then searches all of the phone numbers stored in the database and matches the received phone number to the

stored data record and recalls Mr. Lamb's for display as message 4 (Block 530). This is shown on the example display in FIG. 9. The microcontroller also records Mr. Lamb's voice message as message number 5 (FIG. 8), linking that voice message with the recalled data record through the list in memory section 2.

Later, the user would come home and press, for example, the "Display New Messages" key to see a list of the messages as shown in FIG. 9. By pressing on Mr. Lamb's name on the touch screen or the corresponding keypad number, only the fourth message would be played back from the proper location in memory, avoiding having to hear any other unwanted messages (block 540, 550). Simultaneously, the entire data record matching Mr. Lamb could also be displayed on the display while the voice message is being played back (Block 560), as shown in FIG. 10.

By merely pressing, "Return Call," the microprocessor would retrieve the phone number from the data record and produce the DTMF tones on the telephone line to dial Mr. Lamb. If more than one phone number appears on Mr. Lamb's data display, the touch screen or corresponding keypad number could be used to select and then dial any of the numbers (Block 570, 580).

If a caller does not enter any identifying code during the phone call, the TAD will display "No ID" or another message in place of the caller's name on the display list.

Remote Access

Messages stored in the TAD can be accessed from a remote telephone by using a portable remote access device (RAD) 55, which is hand held and not directly interfaced to a phone, and in which the same list of telephone numbers and names have preferably been stored as in the user's base TAD.

The preferred embodiment of the RAD 55 is shown in FIG. 12 and 13, in which it can be seen that the RAD includes a display 4', selection keys 34' and a telephone coupler 60, such as an acoustic coupler or an induction coil coupler. The internal components of the RAD are shown in FIG. 14, including the coupler 60 connected to a microcontroller 1'. The microcontroller 1' also receives input from the selection keys 34', as described in more detail below. Memory circuits 2' are also included that are similar to those described above in the TAD, except there is preferably no memory section reserved for recorded voice messages, significantly decreasing the memory requirements. The display 4' and display controller 3' are similar to those described above. There is preferably no touch screen in the RAD, although it is contemplated that it could be used similarly.

The preferred remote operation using the RAD 55 is shown schematically in FIG. 15. The user first dials the telephone number (block 600) of the phone connected to the base TAD, whether it be a home or other number, and waits for the base TAD to pick up and play the OGM as described above. The user then preferably dials a code (block 610), for instance "1-1-1-1," on the phone. The audio signal generated by his dialing is received by the base TAD through the telephone line and converted by the microprocessor 1 into digital information, as discussed above. This particular code instructs the microprocessor 1 of the base TAD to feed out in rapid succession all the stored phone numbers from memory section 2 as the appropriate touch-tone frequencies (block 620), and outputs these frequencies through the telephone line to the phone the user is dialing from. The user places the hand-held RAD on the phone receiver and, via the

11

telephone coupler 60, the DTMF tones outputted by the base TAD are received into the microprocessor 1' of the RAD 55 and converted into digital form. In this manner, the identifying phone numbers of all the callers stored in the base TAD are quickly transferred to the RAD 55 via the telephone line. The microprocessor 1' then preferably matches the received phone numbers with its internal database (block 630) and displays the list of names and numbers of the callers (see FIG. 12), as described above with respect to the TAD. Alternatively, in accordance with another embodiment of the invention, if there is no stored database within the RAD, the phone numbers alone are displayed.

Next to the names and/or numbers of the callers, the RAD displays a linking code that corresponds to message numbers, as can be seen in FIG. 12. This alerts the user to and specifies the linked recorded voice messages stored in the base TAD. It is also contemplated that the linking code might not be directly displayed, but would instead determine the order of display for the names, thus indicating the linking code for each message. The linking code is preferably transmitted indirectly by the base TAD via the order in which the DTMF phone numbers are sent to the RAD 55, i.e., the order itself being representative of the linking code.

At this point, the user may now select the message or messages that he wants to hear from the displayed list. For example, if he chooses to hear Mark Brenner's message first, he would merely press the number 4 on the telephone (block 640). The base TAD receives the DTMF signal, decode it, and proceed to playback voice message number 4 (block 650). Other messages may be played back by pressing other message numbers on the telephone. When the user is finished listening to the message, he can either press a code, such as "#", to cause the base TAD to hang up, or hang up the telephone he has been using. The TAD is preferably equipped with a timer that causes it to hang up after a predetermined period of silence during the message retrieval function. It is also contemplated that the linking codes could be completely internal to the RAD and not displayed. The user selects the voice message to be played back with the selection keys 34', using the displayed list of names as a menu. The RAD then outputs appropriate DTMF signals to the base TAD to cause it to playback the voice message. The link between the voice message and the displayed names could also be completely within the base TAD. Then, for example, the R could transmit entire DTMF phone numbers back to the base TAD after the user selects a particular displayed name or number. The base TAD would then playback the voice message linked to the phone number. In any case, it is important that the RAD or the user be able to communicate with the base TAD to select which voice messages it is to playback and the sequence of such playback.

After hearing the messages, the user may wish to return the call of one or several of the callers. Since the RAD is preferably pre-stored with a complete database of names and phone numbers, a particular caller on the list could be selected with the arrow keys 34a' and the entire data record retrieved with the select button 34b'. A particular number in the record could then be similarly highlighted. By pressing the select button 34b' again, while holding the RAD to the microphone of the telephone, the RAD performs as an auto-dialer, outputting the DTMF frequencies for the selected number. Other features, such as credit card calling, could also be incorporated into the RAD.

Since the RAD is separate from the base TAD, it is possible that the databases may not always be completely identical. For example, if a phone number is transmitted by

12

the TAD to the RAD, the name of a caller matching that number might not be stored. In this case, the RAD simply displays the phone number on the screen, allowing for the possibility that the number might be recognized by the user.

It is also contemplated that the features and components of the RAD could be incorporated into existing pocket databank organizers that are known. The database for the RAD system could be shared with the other organizer functions.

In an alternate embodiment, the RAD 55' could be a detachable part of a modified base TAD 64 as shown in FIGS. 16 and 17. When mounted in the TAD 64, the RAD 55' is electrically connected to the TAD 64 and serves as the display and database for the TAD 64. When the RAD 55' is removed for mobile use as shown in FIG. 17, the modified base TAD 64 is only left with components sufficient to allow it to pick up the phone, play the OGM, record voice messages, decode and store DTMF signals, and link the DTMF signals to the voice messages. Through the linking codes in the RAD, the link between the caller's identity and the voice messages could be entirely within the RAD, such as if the linking code corresponded to the stored voice message number. Additionally, the modified TAD 64 has programming to allow it to interface with the RAD 55 or 55' as described above. Communication between a RAD and the modified TAD 64 would be identical to communication with a full-feature TAD. However, this modified base TAD 64 has no display once the RAD 55' is removed, nor a duplicate database to that stored in the RAD, and thus could not function identically to the preferred stand-alone TAD. This combination of a modified TAD and RAD would be a less expensive alternative to a full-function TAD and a separate RAD. The modified TAD 64 preferably includes other keys for inputting database information, etc., although these are shown covered with cover 68,

In FIG. 18, a modified mobile telephone 80, such as a cellular phone, is shown, which has a RAD incorporated within. The RAD functions as mentioned above, except the connection between the RAD and the remote telephone (now the cellular phone) is electrical and the selection buttons may be shared between them. Additionally, the telephone is constructed with a larger display 82 than is conventional to allow for the display of caller identities. In this construction, the voice message transmitted by the base unit may be heard over the cellular telephone simultaneously with display of the additional information for the caller in question. Additionally, the mobile telephone could be programmed such that, through actuation of a single function key, such as GO button 90, the telephone would call the base TAD, establish a telephone connection, and automatically interact with the base TAD to retrieve the callers' identities for the stored messages.

As seen in FIG. 19, the display 82 may also be used to display additional information for a selected caller. Then, through selection of a displayed phone number, the cellular telephone automatically dials the number and provides a telephone connection.

Of course, several RADs could be used to access a single TAD, although preferably not simultaneously.

While the embodiments shown and described are fully capable of achieving the objects of the invention, it is to be understood that these embodiments are shown only for the purpose of illustration and not for the purpose of limitation.

What is claimed is:

1. A telephone message system coupled to a telephone line for automatically answering incoming telephone calls and

13

storing and retrieving information from the incoming telephone calls, comprising:

- (a) a telephone answering device, which comprises:
 means for receiving first signals from said telephone line, each of said first signals specifying a particular one of a plurality of callers;
 means for receiving and storing voice messages, each voice message corresponding to a particular one of said plurality of callers;
 means for linking each of said first signals with a corresponding one of said voice messages;
 means for transmitting said first signals to a user remote access device for assisting in the selective retrieval of at least one of said stored voice messages;
 means for transmitting to a user of said user remote access device at least one of said voice messages linked to a corresponding one of said first signals; and
- (b) a user remote access device, which comprises:
 means for receiving said first signals from said telephone answering device such that said first signals are available upon user demand;
 means for providing caller identities related to said first signals;
 means for displaying caller identities associated with said stored voice messages;
 user actuatable preprogrammed means for automatically establishing communication with said telephone answering device by calling said telephone answering device and automatically transmitting a user code selection means associated with said displaying means for allowing selection of the displayed caller identities; and
 means for controlling said telephone answering device, said means for controlling being operatively connected with said selection means for transmitting a second signal to said telephone answering device to cause said telephone answering device to play back a selected stored voice message in response to the selection of a displayed caller identity.
2. A remote access device according to claim 1, wherein said user actuatable preprogrammed means includes a key.
3. A method of automatically answering incoming telephone calls and storing and retrieving information from the incoming telephone calls with a telephone answering device having a memory and being coupled to a telephone, comprising the steps of:
- receiving first signals specifying each caller of each incoming call;
 receiving a voice message from each caller and storing each said received voice message as a stored voice message in said memory;
 linking each of said received first signals with a corresponding voice message;
 transmitting said received first signals to a user remote access device such that said first signals are available upon user demand for assisting in the selective retrieval of at least one of said stored voice messages using displayed first signals; and
 transmitting to a user remote access device at least one specific voice message linked to a specific one of said received first signals in response to selection of said at least one of said stored voice messages.
4. The method of automatically answering incoming telephone calls according to claim 3, said method further using a user remote access device and comprising the steps of:

14

- receiving at said user remote access device said first signals specifying the caller of each incoming call, said first signals being transmitted from said telephone answering device to said user remote access device;
 displaying at said user remote access device caller identities related to said first signals, said caller identities being associated with said stored voice messages for user selection of at least one of said caller identities; and
 controlling said telephone answering device by transmitting a second signal from said user remote access device to said telephone answering device to cause said telephone answering device to play back a selected stored voice message in response to the selection of a specific caller identity from among the displayed caller identities.
5. A telephone message system coupled to a telephone line for automatically storing and later retrieving information from incoming telephone calls, comprising:
- (a) a telephone answering device, which comprises:
 means for receiving and storing first signals from said telephone line, each of said first signals specifying a particular one of a plurality of callers;
 means for receiving and storing voice messages, each voice message corresponding to a particular one of said plurality of callers on said telephone line;
 means for linking each of said first signals with a corresponding one of said voice messages;
 means for transmitting said first signals to a user remote access device for assisting in the selective retrieval of at least one of said stored voice messages; and
- (b) a remote access device, which comprises:
 means for storing a predetermined list of names and associated stored identifying information;
 means for receiving said first signals from said telephone answering device, said first signals specifying the identities of said plurality of callers;
 means for comparing said first signals with said predetermined list;
 means for displaying a respective caller's name if the comparing means matches said first signals with any stored identifying information in said list; and
 means for selectively receiving, using at least one of said first signals and said respective caller name, at least one specific voice message linked to a specific transmitted first signal.
6. A remote access device communicating with a telephone answering device for the selective retrieval of stored voice messages on said telephone answering device each of said messages being vocalized by a caller, comprising:
- means for receiving first signals from said telephone answering device, such that said first signals are available upon user demand and said first signals identifying the callers of said stored messages;
 means for displaying the caller identities for said stored messages;
 selection means associated with said display means for allowing selection of the displayed identities;
 user actuatable preprogrammed means for automatically establishing communication with said telephone answering device by calling said telephone answering device and automatically transmitting a user code; and
 means for controlling said telephone answering device, said means for controlling being operatively connected with said selection means, for transmitting a second

signal to said telephone answering device to cause said telephone answering device to play back a selected stored voice message in response to the selection of a displayed identity.

7. A remote access device according to claim 6, wherein said user actuatable preprogrammed means includes a key.

8. A remote access device according to claim 6, wherein the remote access device is provided as part of a mobile telephone.

9. A remote access device communicating with a telephone answering device for assisting in the selective retrieval of stored voice messages from each respective caller on said telephone answering device, each of said caller messages being recorded by said answering device, comprising:

means for receiving at least one signal from said telephone answering device, such that said signal is available upon user demand and each of said at least one signal indicating a respective caller of at least one of said stored messages;

means for displaying the caller identity for at least one of said stored voice messages in a predetermined order corresponding to the chronological order in which said at least one stored voice messages were stored in said answering device, whereby the position of each selected caller identity within the predetermined order allows a user to retrieve the stored voice message corresponding to each selected caller identity; and

user actuatable preprogrammed means for automatically establishing communication with said telephone answering device by calling said telephone answering device and automatically transmitting a user code.

10. A remote access device according to claim 9, wherein the means for displaying the caller identity displays the caller identity for at least two of said stored voice messages in a predetermined order corresponding to the chronological order in which said voice messages were stored in said answering device, whereby the position of each selected caller identity within the predetermined order allows the user to retrieve the stored voice message corresponding to the selected caller identity.

11. A remote access device according to claim 9, wherein said user actuatable preprogrammed means includes a key.

12. A remote access device according to claim 9, wherein the remote access device is provided as part of a mobile telephone.

13. A remote access device for retrieving at least one recorded voice message left by at least one of a plurality of callers on a base telephone answering machine, comprising:

means for storing a predetermined list of names and associated stored identifying information;

means for transferring information between said remote access device and said base answering machine;

means for receiving identifying information from the base answering machine identifying said at least one of a plurality of callers;

means for comparing the received identifying information with said predetermined list;

means for displaying the respective caller's name if the comparing means matches the received identifying information with any stored identifying information in said list; and

means for displaying the caller identity for each stored voice message in a predetermined order corresponding to the chronological order in which each voice message was stored in said answering device, whereby the

position of a selected caller identity allows the user to retrieve the stored voice message corresponding to the selected caller identity.

14. A mobile telephone for retrieving at least one recorded voice message left by at least one of a plurality of callers on a base telephone answering device, comprising:

means for storing a predetermined list of names and associated stored identifying information;

means for transferring information between said mobile telephone and said base answering device;

means for receiving identifying information from the base answering device identifying said at least one of a plurality of callers;

means for comparing the received identifying information with said predetermined list;

means for displaying the respective caller's name if the comparing means matches the received identifying information with any stored identifying information in said list; and

means for displaying the caller identity for each stored voice message in a predetermined order corresponding to the chronological order in which each voice message was stored in said answering device, whereby the position of a selected caller identity from among the predetermined order allows the user to retrieve the stored voice messages corresponding to the selected caller identity.

15. A mobile telephone for use with a telephone answering device which receives and stores voice messages, each voice message corresponding to a particular one of a plurality of callers, said mobile telephone comprising:

means for receiving first signals from said telephone answering device, each of said first signals specifying a particular one of a plurality of callers;

means for providing caller identities related to said first signals;

means for displaying caller identities associated with said stored voice messages;

user actuatable preprogrammed means for automatically establishing communication with said telephone answering device by calling said telephone answering device and automatically transmitting a user code;

selection means associated with said displaying means for allowing selection of the displayed caller identities; and

means for controlling said telephone answering device, said means for controlling being operatively connected with said selection means for transmitting a second signal to said telephone answering device to cause said telephone answering device to play back a selected stored voice message in response to the selection of a displayed caller identity.

16. A mobile telephone according to claim 15, wherein said user actuatable preprogrammed means includes a key.

17. A telephone answering device coupled to a telephone line for automatically answering incoming telephone calls and storing and retrieving information from the incoming telephone calls comprising:

means for storing a predetermined list of names and associated stored identifying information;

means for receiving identifying information from said telephone line, each received identifying information specifying a particular one of a plurality of callers;

means for receiving a voice message from each of said callers on said telephone line and storing each said voice message;

17

means for linking each received identifying information with a corresponding one of said voice messages;
 means for comparing each received identifying information with said predetermined list;
 means cooperating with said comparing means for simultaneously displaying a plurality of caller's names whose respective received identifying information matches stored identifying information in said list; and
 means for allowing a user to select any one of the plurality of simultaneously displayed callers names from said display means, said selecting means also automatically directly audibly retrieving the voice message associated with the selected caller's name without scrolling individually through either the displayed names or the voice messages.

18. A method of automatically answering incoming telephone calls and storing and retrieving information from the incoming telephone calls with a telephone answering device, said telephone answering device having a memory and being coupled to a telephone, said method comprising the steps of:

storing a predetermined list of names and associated stored identifying information in said memory;
 receiving identifying information specifying a particular one of a plurality of callers for each incoming call;
 receiving a voice message from at least one of said plurality of callers and storing said voice message in said memory;
 comparing said received identifying information with said predetermined list and displaying the caller's name if the received identifying information matches any stored identifying information identical in said predetermined list;
 displaying simultaneously a plurality of callers' names whose respective received identifying information matches stored identifying information in said list;
 linking each displayed caller's name with its corresponding voice message; and
 selectively directly retrieving the voice message corresponding to any one of the displayed caller's names by selecting that caller's name without scrolling through either said displayed names or said voice messages.

19. The method according to claim 18, further comprising the step of simultaneously displaying the corresponding caller's name and stored identifying information when the voice message associated with the selected caller's name is audibly retrieved.

20. A telephone message system coupled to a telephone line for automatically storing and later retrieving information from incoming telephone calls, comprising:

(a) a telephone answering device, which comprises:
 means for receiving and storing first signals from said telephone line, each of said first signals specifying a particular one of a plurality of callers;

18

means for receiving and storing voice messages, each voice message corresponding to a particular one of said plurality of callers on said telephone line;
 means for linking each of said first signals with a corresponding one of said voice messages;
 means for storing a predetermined list of names and associated stored identifying information;
 means for comparing said first signals with said predetermined list;
 means for identifying one or more caller names if the comparing means matches said first signals with any stored identifying information in said list; and
 means for transmitting said identified caller names to a user remote access device for assisting in the selective retrieval of at least one of said stored voice messages;

(b) a remote access device which comprises:
 means for receiving said identified caller names;
 means for displaying the received identified caller names; and
 means for selectively receiving, using at least one of said received identified caller names, at least one specific voice message linked to said at least one of said received identified caller names.

21. A telephone message system for use with a telephone line for automatically storing and later retrieving information from incoming telephone calls, comprising:

(a) a telephone answering device coupled to a telephone line, which comprises:
 means for receiving and storing first signals from said telephone line, each of said first signals specifying a caller;
 means for receiving and storing a voice message from each caller on said telephone line;
 means for converting each received first signal into received identifying information;
 means for linking each received identifying information with the corresponding stored voice message;
 means for storing a predetermined list of names and associated stored identifying information;
 means for comparing the received identifying information with said predetermined list of stored identifying information;
 means for identifying one or more caller names if the comparing means matches said first signals with any stored identifying information in said list; and
 means for transmitting at least one identified caller name to a user of said telephone message system for assisting in the selective retrieval of at least one of said stored messages;

(b) a remote access device, which comprises: means for receiving and displaying one or more respective caller names.

* * * * *

UNITED STATES DISTRICT COURT
EASTERN DISTRICT OF NEW YORK

X-----X

CELLCO PARTNERSHIP, d/b/a VERIZON WIRELESS,
and VERISON DATA SERVICES, LLC,

Plaintiffs,

-against-

KLAUSNER TECHNOLOGIES, INC.,

Defendant.

X-----X

Civil Action No. 08 CV _____

SUMMONS AND COMPLAINT

X-----X

SCHLAM STONE & DOLAN LLP
26 Broadway
New York, New York 10004
(212) 344-5400

KIRKLAND & ELLIS LLP
153 East 53rd Street
New York, New York 10022
(212) 446-4800

Attorneys for Plaintiffs