

EXHIBIT J



US006400303B2

(12) **United States Patent**
Armstrong

(10) **Patent No.:** **US 6,400,303 B2**
(45) **Date of Patent:** ***Jun. 4, 2002**

(54) **REMOTE CONTROLLER WITH ANALOG PRESSURE SENSOR (S)**

(76) **Inventor:** **Brad A. Armstrong, P.O. Box 2048, Carson City, NV (US) 89702**

(*) **Notice:** Subject to any disclaimer, the term of this patent is extended or adjusted under 35 U.S.C. 154(b) by 0 days.

This patent is subject to a terminal disclaimer.

- 5,311,779 A 5/1994 Teruo
- 5,315,204 A 5/1994 Park
- 5,364,108 A 11/1994 Esnouf
- 5,365,494 A 11/1994 Lynch
- 5,376,913 A 12/1994 Pine et al.
- 5,396,235 A 3/1995 Maeshima et al.
- 5,440,237 A 8/1995 Brown et al.
- 5,457,478 A 10/1995 Frank
- 5,565,891 A 10/1996 Armstrong

(List continued on next page.)

FOREIGN PATENT DOCUMENTS

- EP 0579448 1/1994
- WO WO9718508 5/1997

(21) **Appl. No.:** **09/815,898**

(22) **Filed:** **Mar. 22, 2001**

Related U.S. Application Data

(63) Continuation of application No. 09/148,806, filed on Sep. 4, 1998, now Pat. No. 6,208,271.

(51) **Int. Cl.⁷** **G08C 19/12; H04L 17/02**

(52) **U.S. Cl.** **341/176; 341/34; 200/511; 345/169; 348/734**

(58) **Field of Search** **341/176, 34; 345/159, 345/167, 169; 200/511; 348/734**

(56) **References Cited**

U.S. PATENT DOCUMENTS

- 3,611,068 A 10/1971 Fujita
- 3,806,471 A 4/1974 Mitchell
- 3,952,173 A 4/1976 Tsuji
- 3,988,556 A 10/1976 Hyodo
- 4,224,602 A 9/1980 Anderson
- 4,313,113 A 1/1982 Thornburg
- 4,315,238 A 2/1982 Eventoff
- 4,552,360 A 11/1985 Bromley
- 4,673,919 A 6/1987 Kataoka
- 4,786,895 A 11/1988 Castaneda
- 4,866,542 A 9/1989 Shimada
- 5,164,697 A 11/1992 Kramer
- 5,200,597 A 4/1993 Eastman
- 5,207,426 A 5/1993 Inoue et al.
- D342,740 S 12/1993 Parker
- 5,287,089 A 2/1994 Parsons

OTHER PUBLICATIONS

S. F. Kambic, IBM Technical Disclosure Bulletin, vol. 20 No. 5 Oct. 1977 Questel-Orbit QWEB pp. 1-24 (submitted herewith).

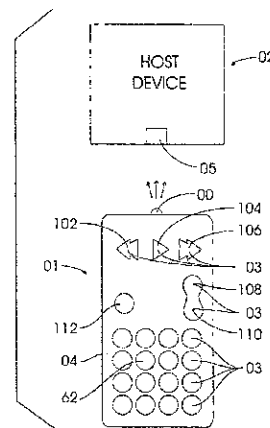
IBM technical Disclosure Bulletin; vol. 20 No. 5 Oct. 1977 Person: S.F. Kambic pp. 1833-1834, Sep. 1998.

Primary Examiner—Timothy Edwards, Jr.

(57) **ABSTRACT**

A remote controller, methods of use and manufacture thereof, for controlling electronic devices or host devices, the controller including a housing, electronic circuitry, power source and structuring for communicating with the electronic device to be controlled. A plurality of finger depressible buttons are exposed and interfacing with sensors associated with the circuitry. The buttons are for user selection of communication information sent to the host. At least one sensor is a pressure-sensitive analog sensor structured for varying electrical conductance through at least three readable states dependent upon user selected varying depressive pressure levels applied to the associated button. The circuitry reads the states of the analog sensor and information representing the state or value of the sensor is communicated to the host. A user can select any of a plurality of selectable pressure levels associated with analog sensor.

23 Claims, 14 Drawing Sheets



US 6,400,303 B2

Page 2

U.S. PATENT DOCUMENTS

5,589,828 A	12/1996	Armstrong	5,889,236 A	3/1999	Gillespie et al.
5,640,566 A	6/1997	Victor et al.	5,895,471 A	4/1999	King et al.
5,670,955 A	9/1997	Thorne III et al.	5,910,798 A	6/1999	Kim
5,673,237 A	9/1997	Blank	5,943,044 A	8/1999	Martinelli et al.
5,675,329 A	10/1997	Barker et al.	5,948,066 A	9/1999	Whalen et al.
5,689,285 A	11/1997	Asher	5,974,238 A	10/1999	Chase, Jr.
5,764,219 A	6/1998	Rutledge et al.	5,995,026 A	11/1999	Sellers
5,778,404 A	7/1998	Capps et al.	5,999,084 A	12/1999	Armstrong
5,790,102 A	8/1998	Nassima	6,020,884 A	2/2000	MacNaughton et al.
5,847,305 A	12/1998	Yoshikawa et al.	6,049,812 A	4/2000	Bertram et al.
5,854,624 A	12/1998	Grant	6,118,979 A	9/2000	Powell
5,883,619 A	3/1999	Ho et al.	6,102,802 A	12/2000	Armstrong
			6,185,158 B1	2/2001	Ito et al.
			6,198,473 B1	3/2001	Armstrong

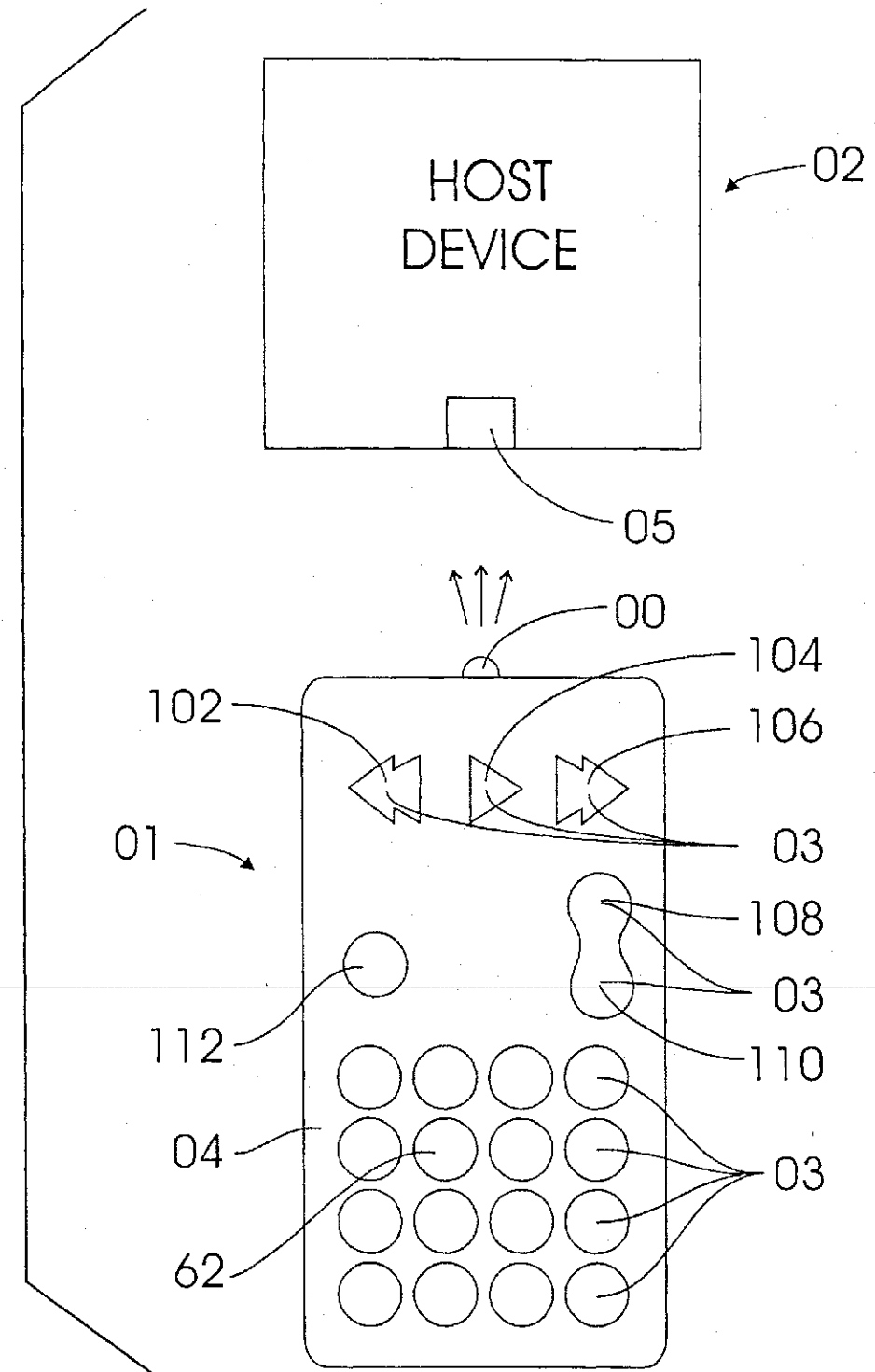


Fig. 1

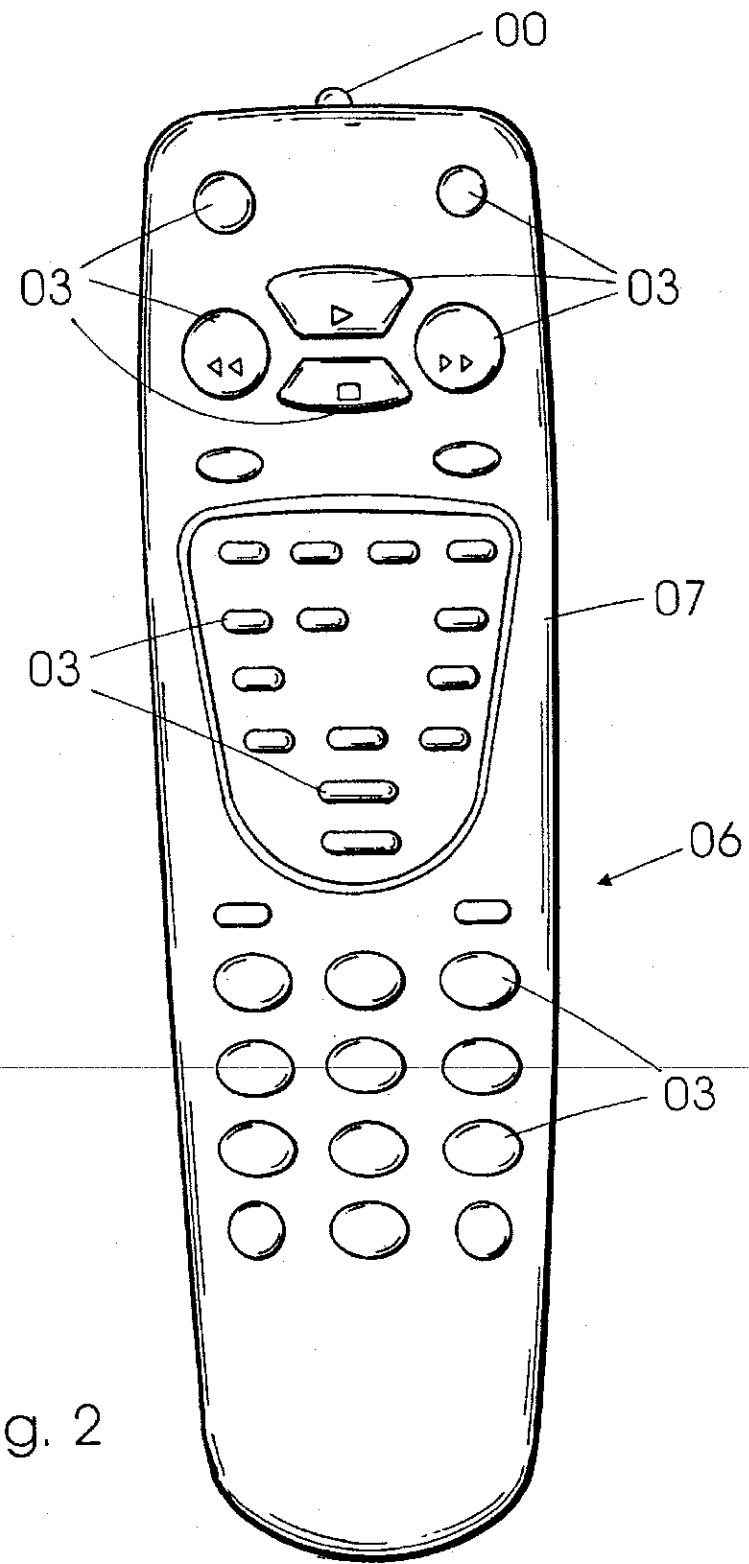


Fig. 2

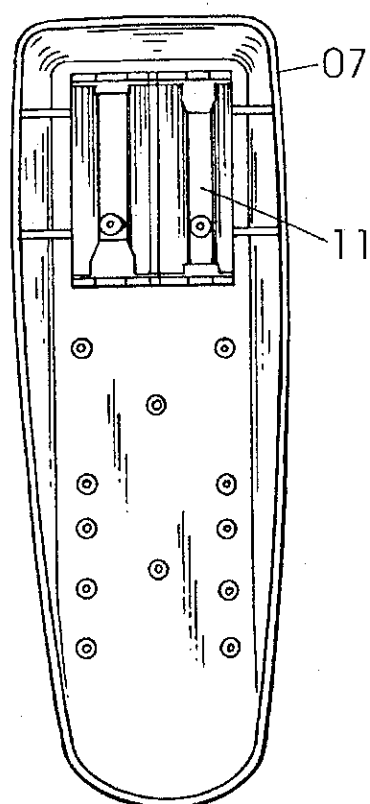


Fig. 5

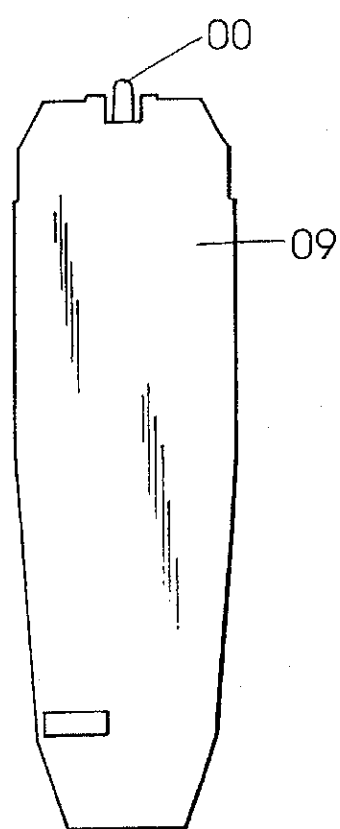


Fig. 4

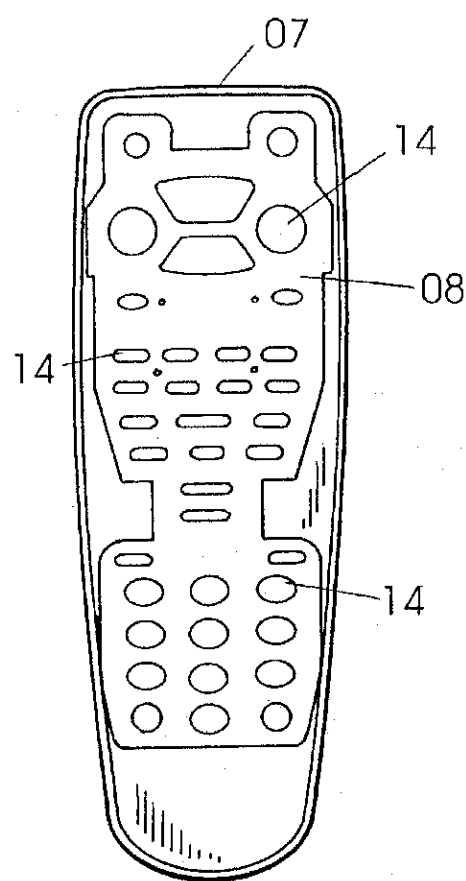


Fig. 3

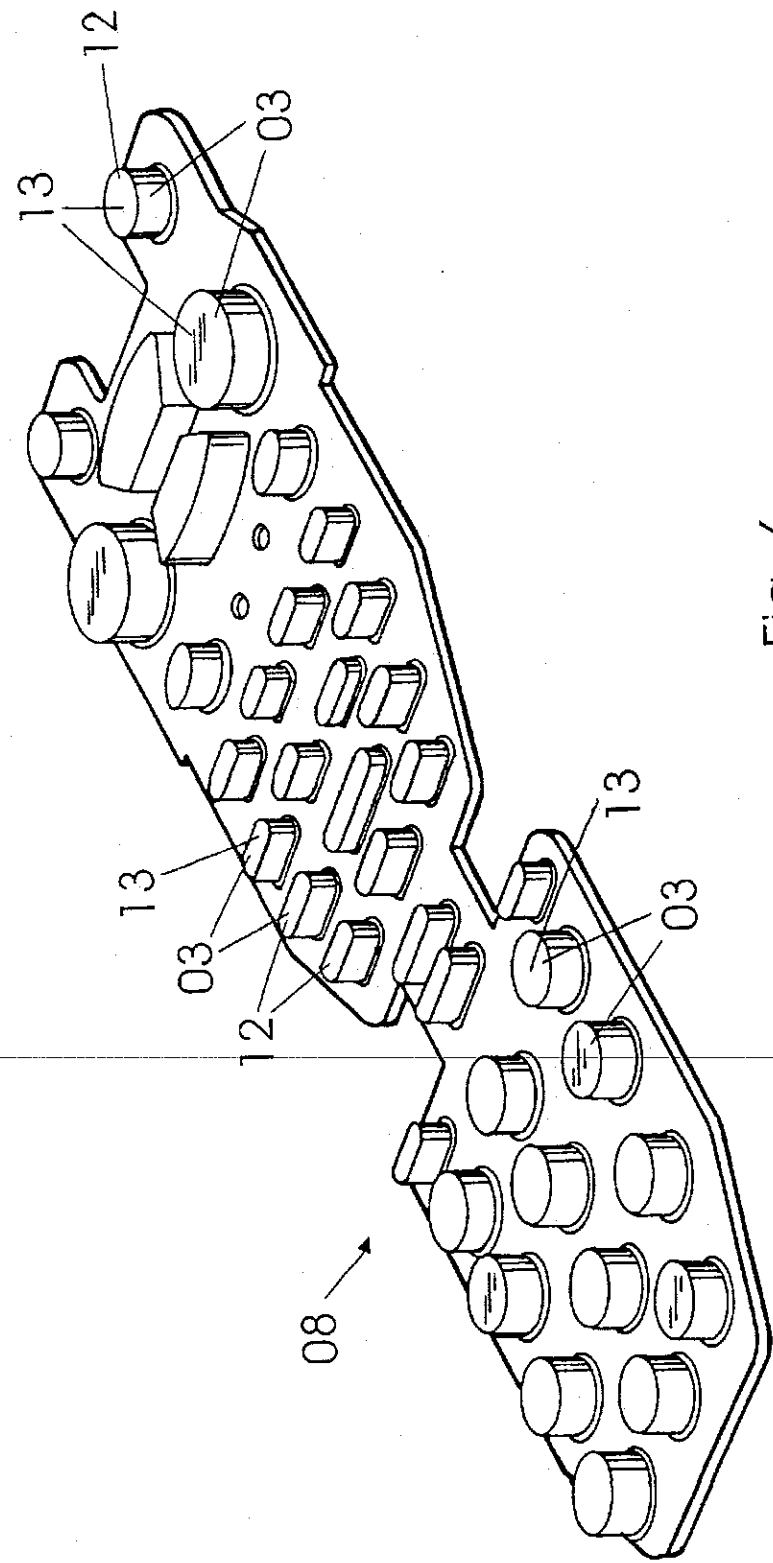
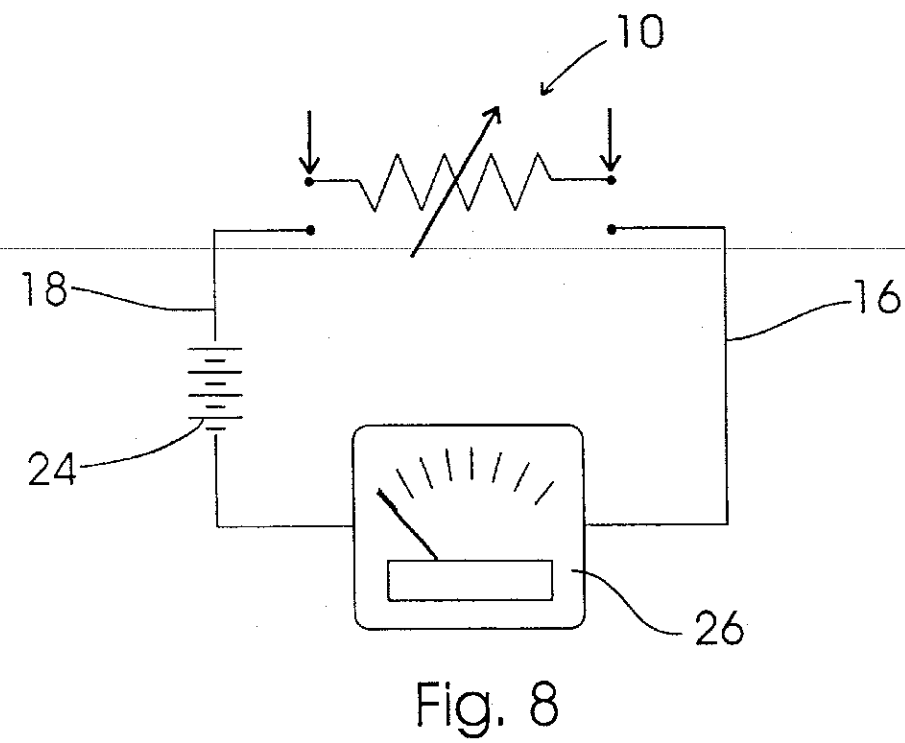
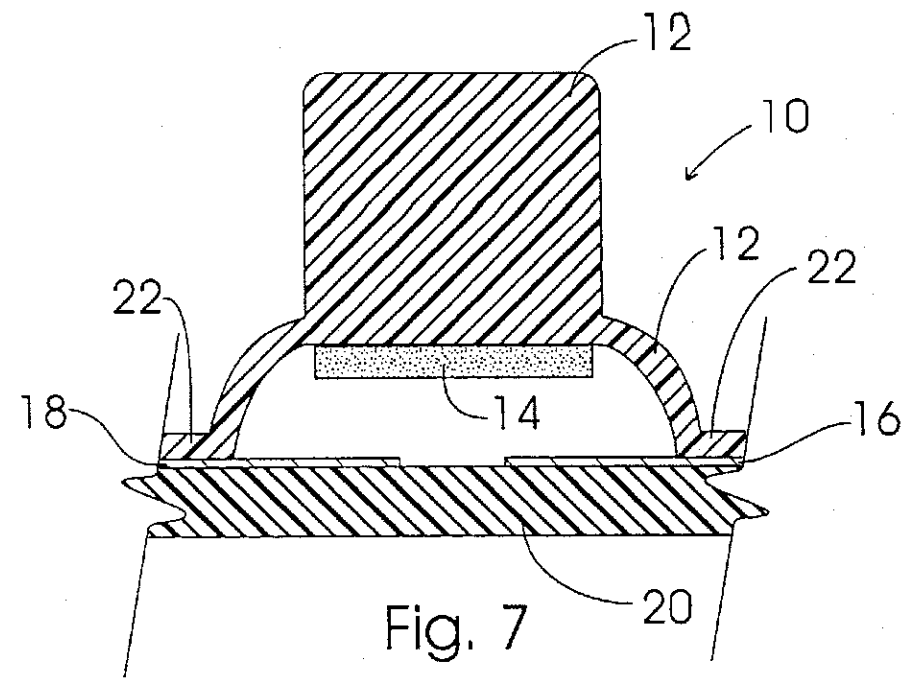


FIG. 6

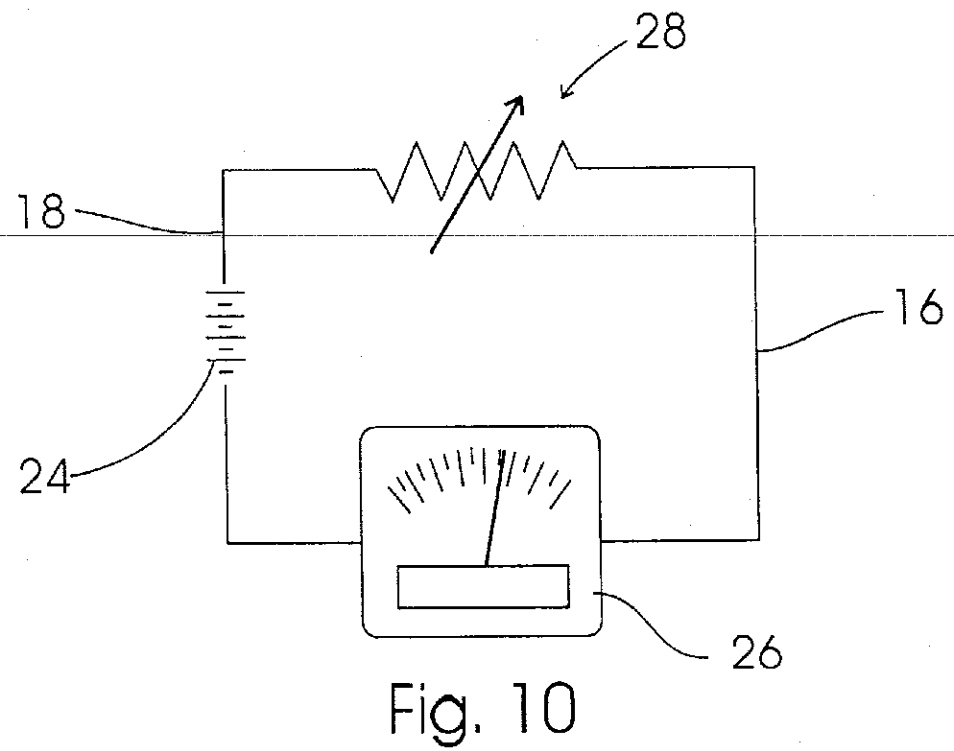
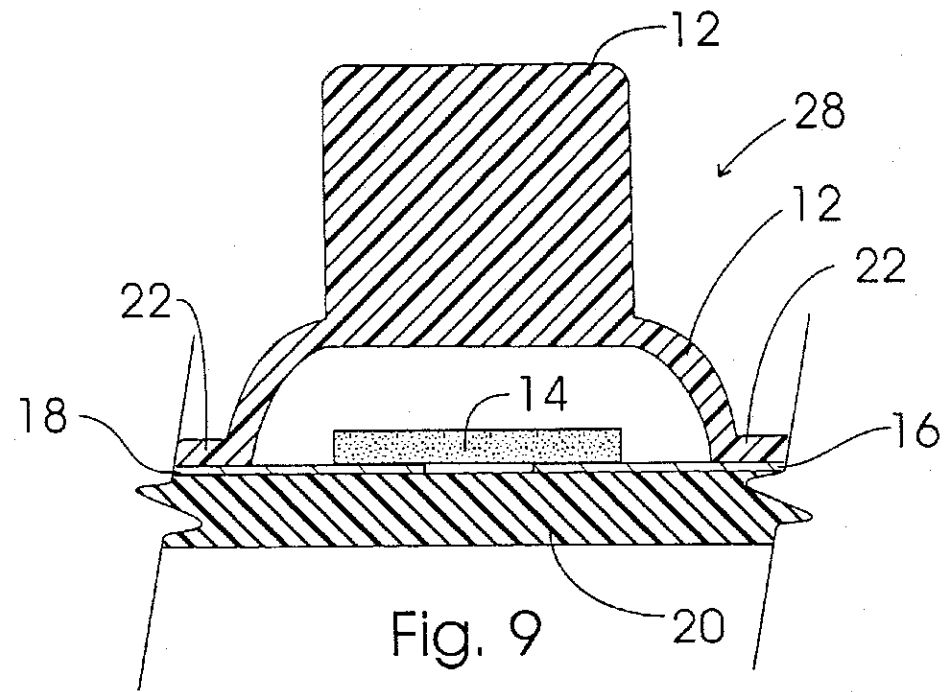


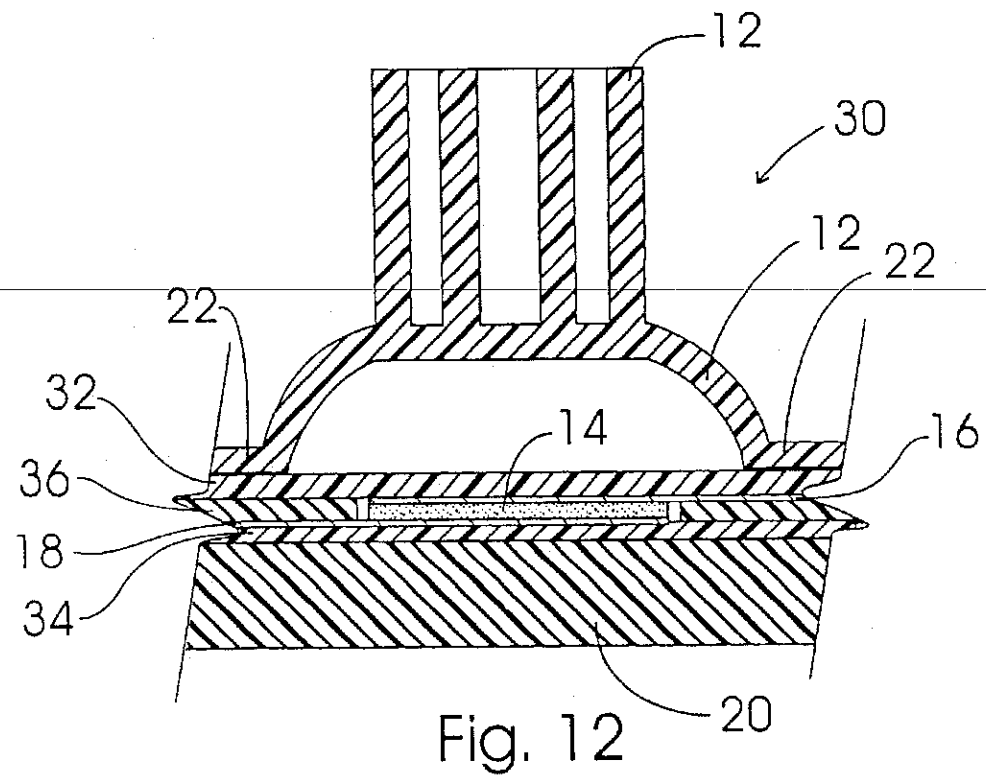
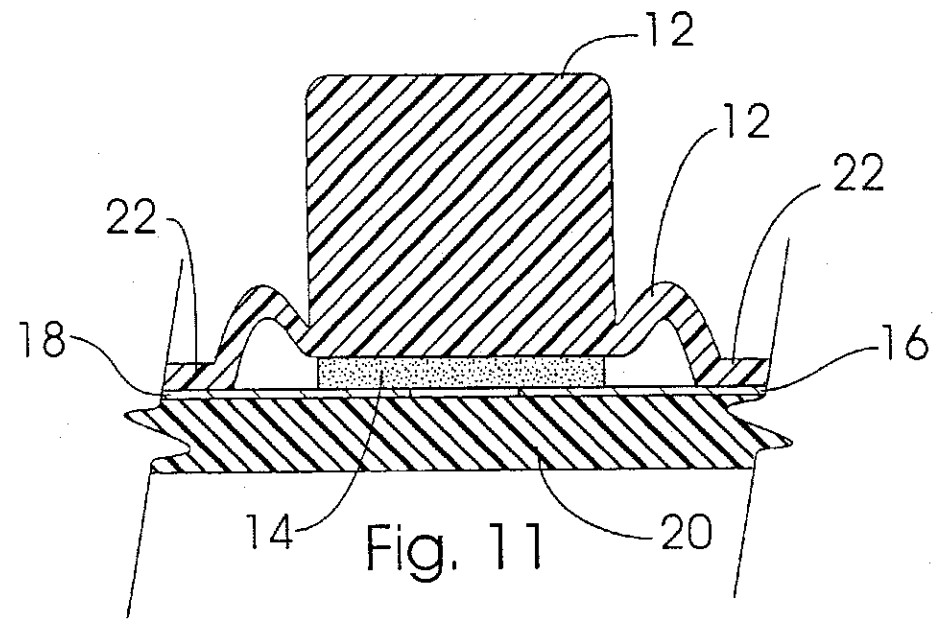
U.S. Patent

Jun. 4, 2002

Sheet 6 of 14

US 6,400,303 B2





U.S. Patent

Jun. 4, 2002

Sheet 8 of 14

US 6,400,303 B2

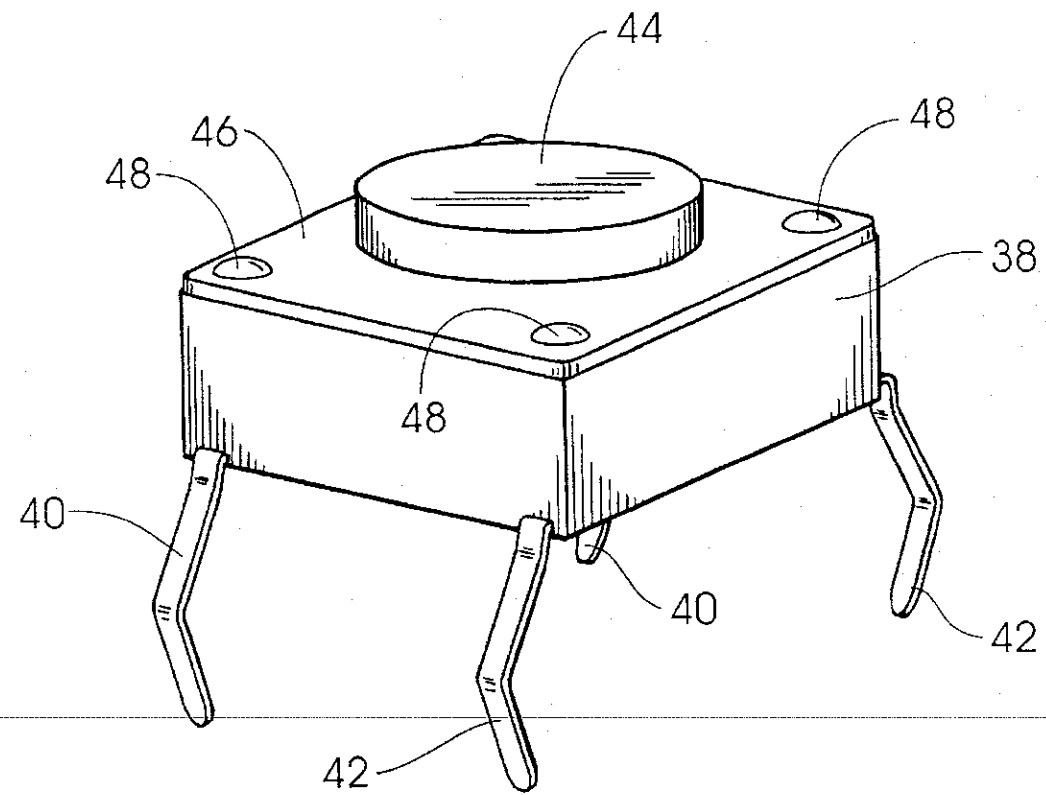


Fig. 13

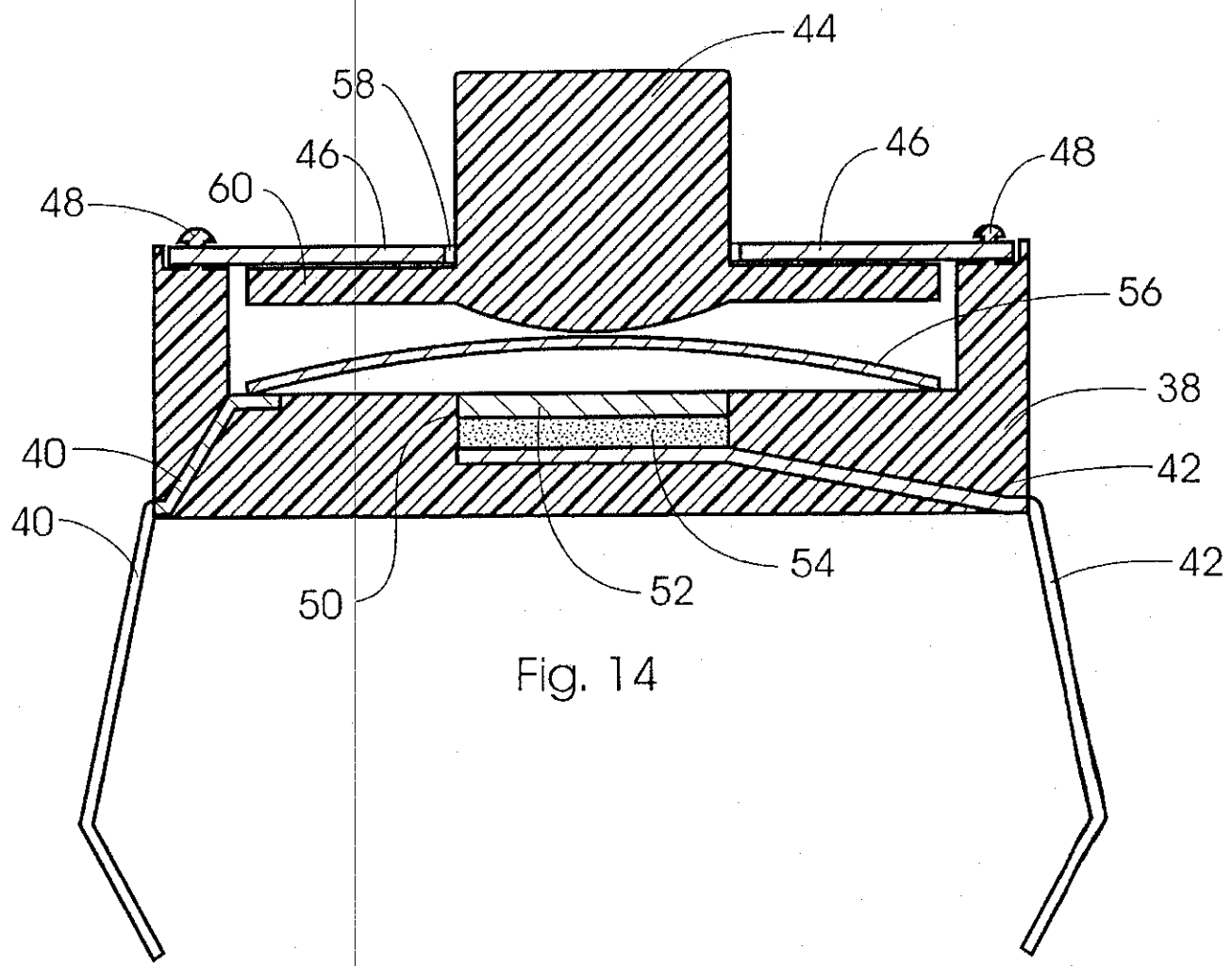


Fig. 14

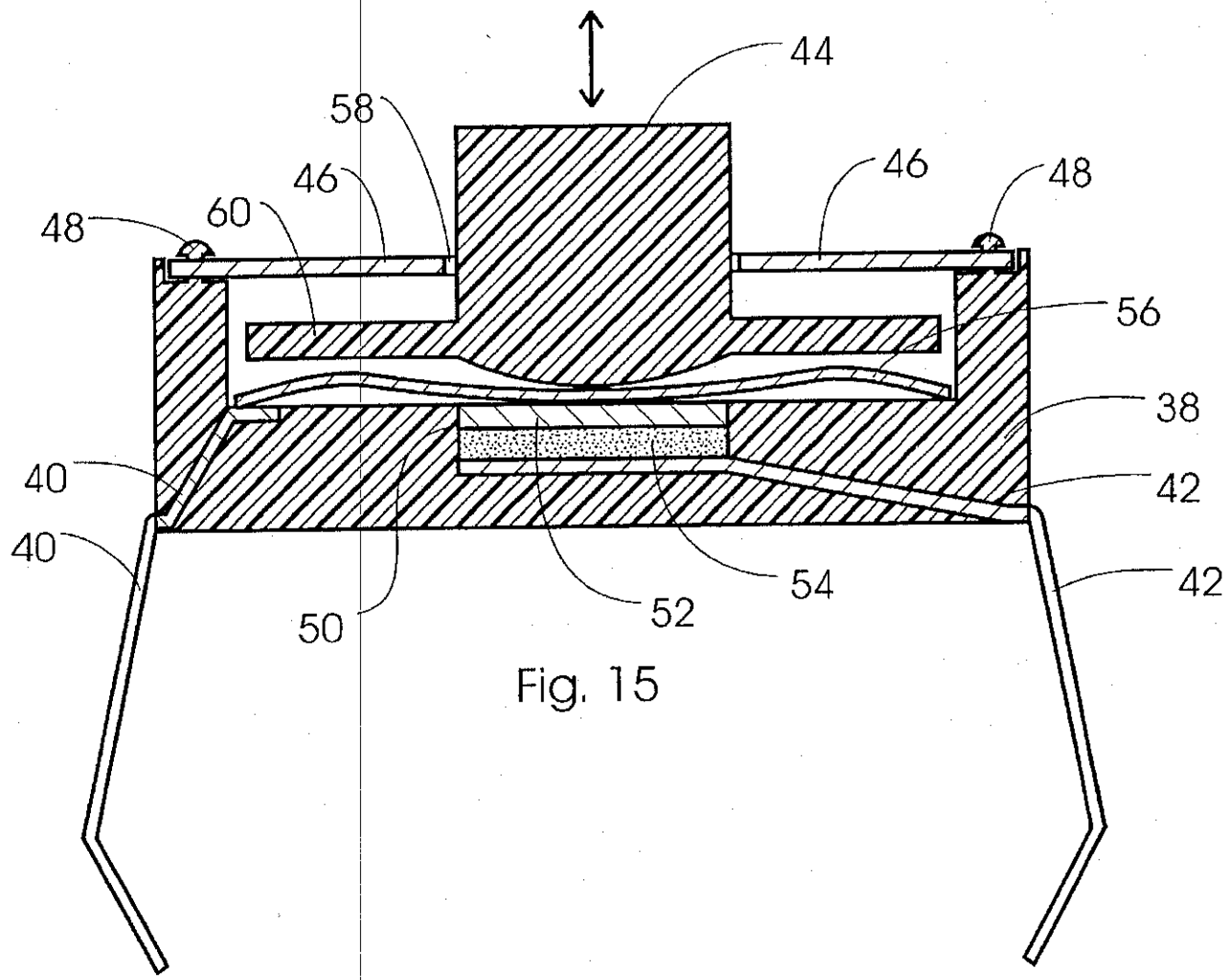


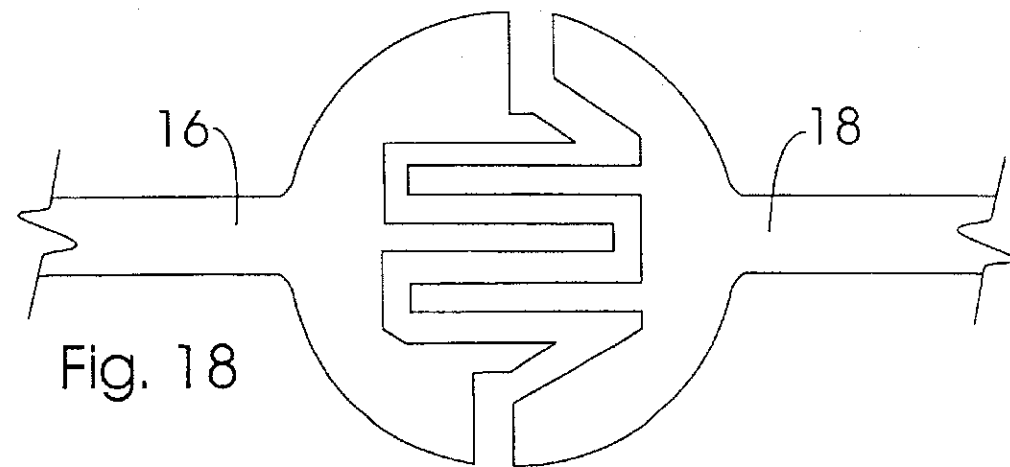
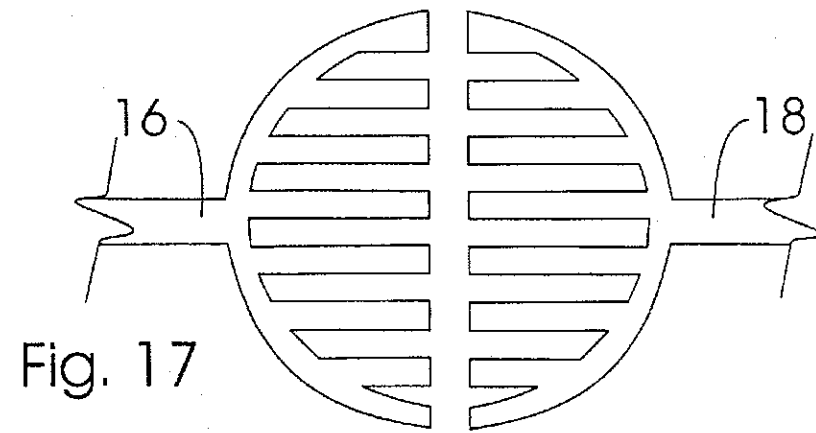
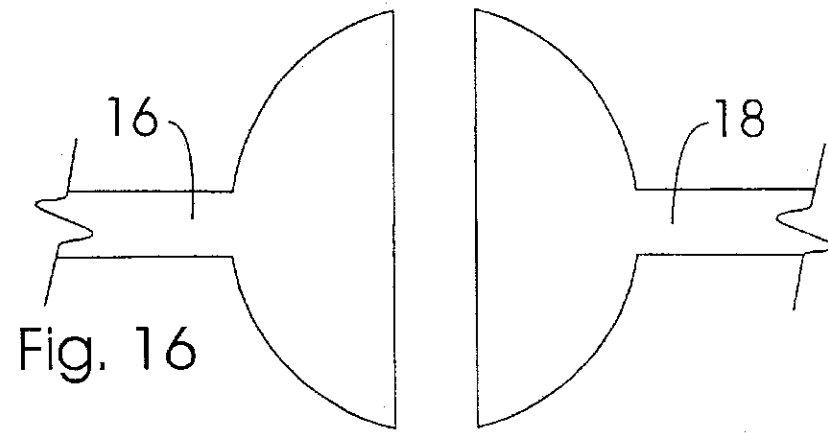
Fig. 15

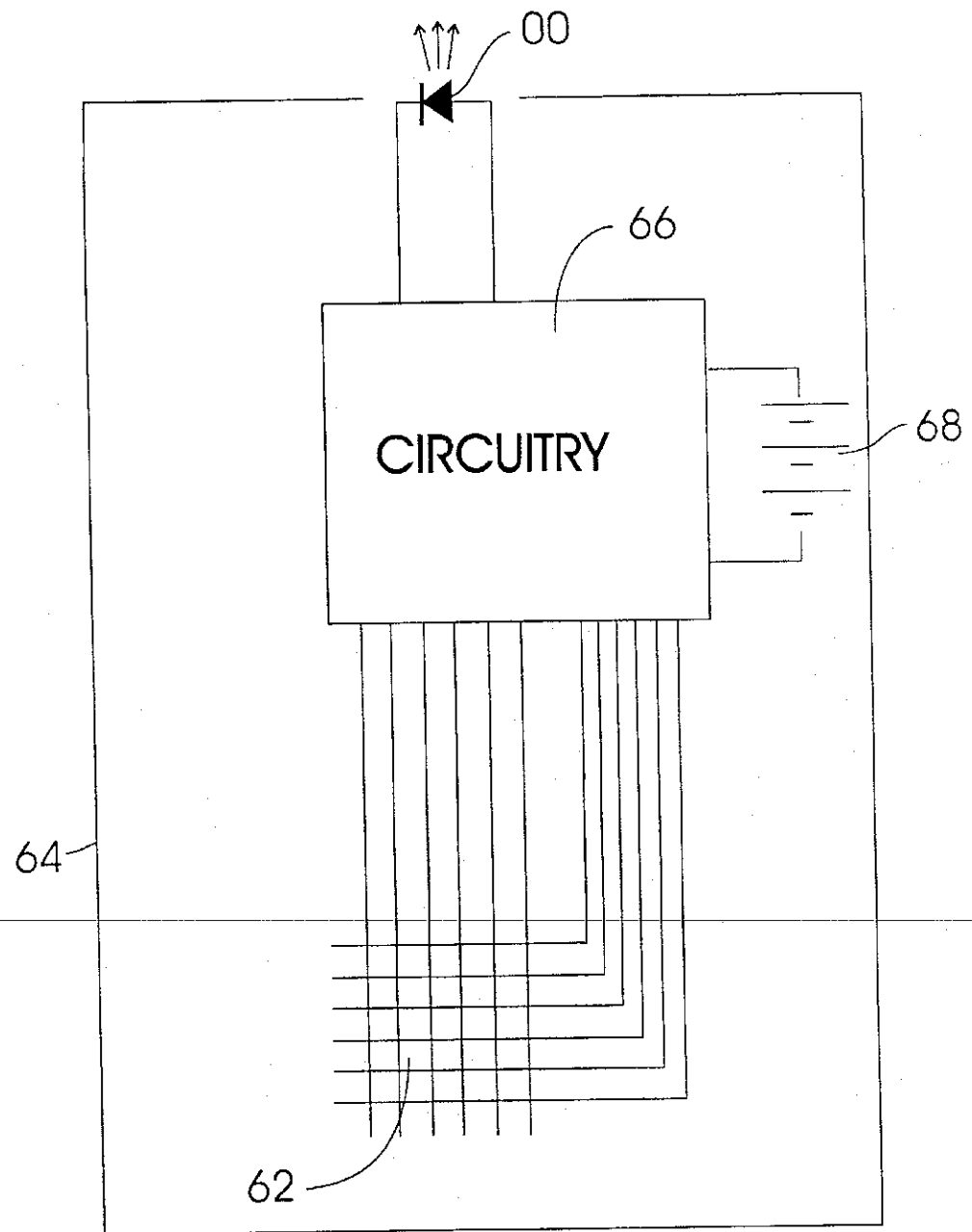
U.S. Patent

Jun. 4, 2002

Sheet 11 of 14

US 6,400,303 B2





PRIOR ART

Fig. 19

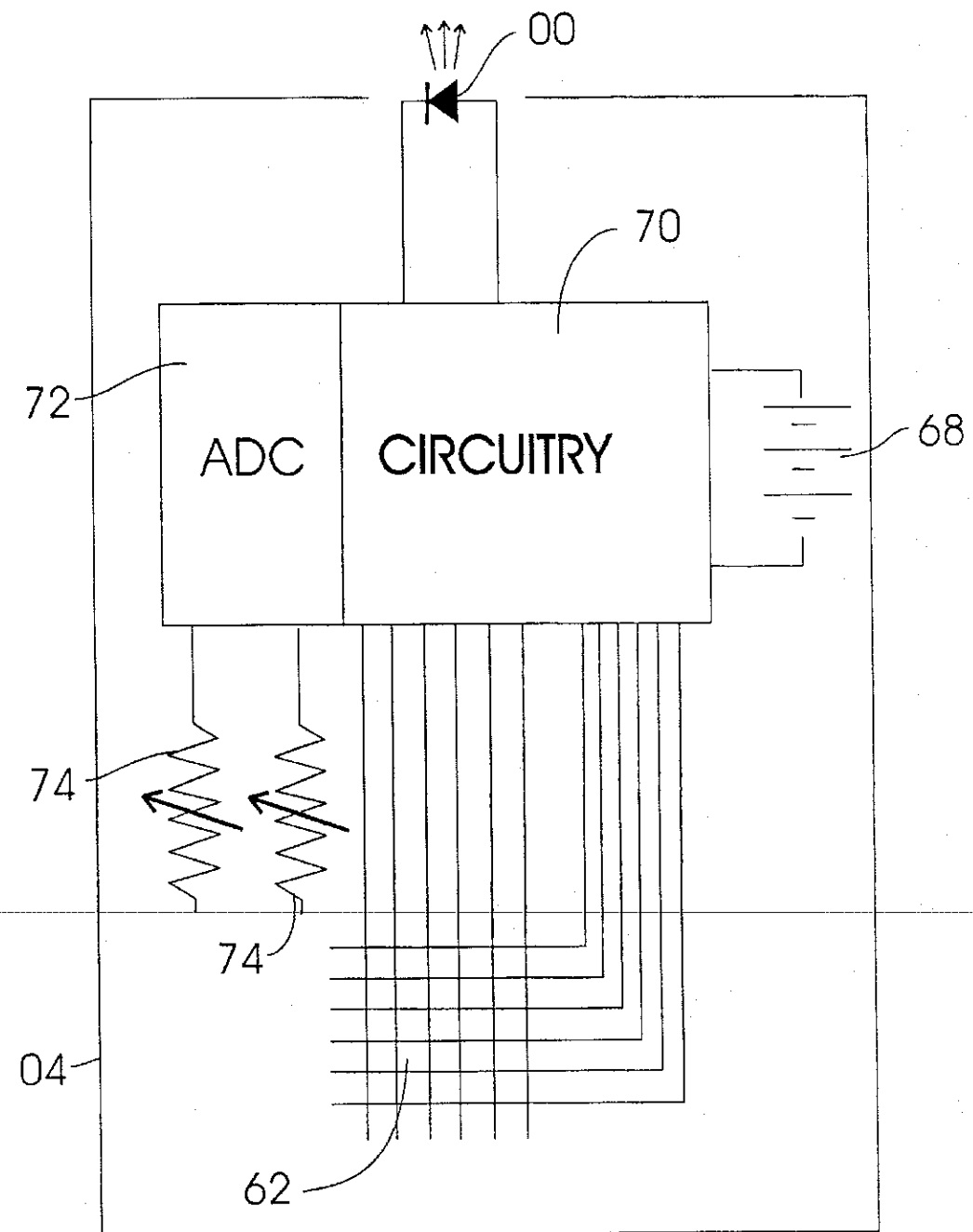


Fig. 20

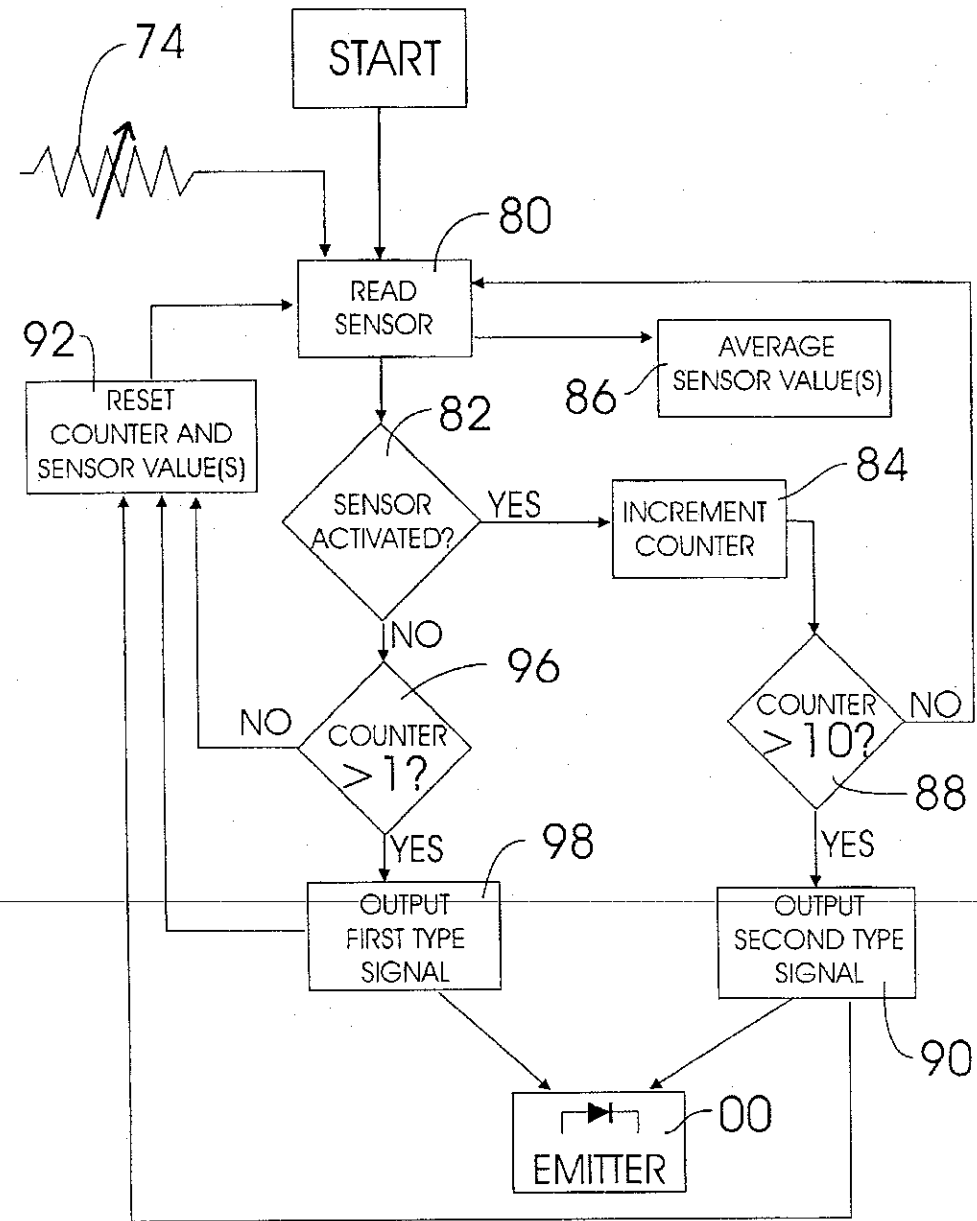


Figure 21

US 6,400,303 B2

1

REMOTE CONTROLLER WITH ANALOG PRESSURE SENSOR (S)

This is a Rule 1.53(b) continuation application of my U.S. application Ser No. 09/148,806 filed Sep. 4, 1998, now U.S. Pat. No. 6,208,271 issued Mar. 27, 2001 to which the benefit of the earlier filing date is claimed.

BACKGROUND OF THE INVENTION

1. Field of the Invention

The present invention relates to hand-held electronic remote controller or remote commander devices such as are used to control host devices such as televisions, video players, audio players and cable boxes, and the like.

2. Description of the Related Prior Art

All of the prior art of record in prior U.S. application Ser. No. 09/148,806 is hereby considered disclosed, copies of the disclosures are present and publicly available in the prior Application file.

Prior art hand-holdable remote controllers for remotely controlling host devices such as televisions, cable boxes and satellite receivers therefor, video and audio players and the like have been used for many years. A typical prior art remote controller comprises a housing usually small enough to hold in a single hand. With wireless hand-held remote controllers, by far the most common today, a battery power source is contained within the housing. Wireless remote controllers are most commonly used directly or indirectly for controlling televisions, video and audio players due to the added convenience and safety of not having an electrical cord extending from the remote controller to the host device and one which a person could trip over. Within the typical remote controller housing is an electrical power source connected to electronic circuitry. The circuitry is for generating specific function-control signals for instructing the host device to perform a desired function. A radiation emitter, most commonly an infrared light emitter, is supported by the housing and connected to the circuitry to be controlled thereby. The radiation emitter, from one viewpoint, is typically considered a part of the circuitry. The radiation emitter emits radiation representative of or carrying a function-control signal from the circuitry of the remote controller to the host device. Exposed on the exterior of the housing is a plurality of finger depressible buttons which interface with momentary-on sensors of the controller. The momentary-On sensors are simple On/Off switches which assume a normally off or open position, and which interface between the exposed buttons and the circuitry of the remote controller. The momentary-On sensors typically are positioned between the exposed button portions and the circuitry which is typically on a circuit board. As will be detailed, the exposed portions of the buttons are often integral components of the sensors, or at least can be viewed as such particularly when elastomeric dome-caps sensors are employed. The exposed buttons allow interfacing of a human digit such as a finger or thumb with the electrical switches to close the switches in order to control the circuitry to actuate (or deactivate) a function of the host device via a function-control signal released electronically in the circuitry and sent via the radiation emitter to the host device. Typically each push button is associated with the circuitry such that each button is associated with only one of many function-control signals which the remote controller can output, and this explains the many buttons commonly on prior art remote controllers.

As those skilled in the art understand, host devices structured for remote control include a control-function

2

signal receiver and circuitry for reading and processing the received control-function signals from the remote control, and for acting upon a received signal.

Host devices such as televisions, satellite receiver tuners or cable boxes for televisions and VCRs and DVDs which include tuners for selecting channels and which are structured for remote control, typically function with remote controllers which include a depressible channel-up button for scrolling or tuning upward through the channels at a predetermined rate for as long as the button is depressed, and a separate channel-down button for scrolling or tuning downward through the available channels at a predetermined rate as long as the button is depressed. When the channel-up or channel-down button is depressed, a function-control signal is sent from the remote controller to the host device, and is repeated at a predetermined rate until the depression of the button is released. The specific function-control signal, typically being a repeating digital bit stream, is such that it contains information which informs the host device as to which button is depressed, i.e., channel up or down, and the host device initiates the requested action. If the requested action is to move upward through the available channels, scrolling upward through the channels occurs for as long as the button is depressed, and the rate of scrolling is a predetermined rate. If the channel scroll down button is depressed by the user, the scrolling downward through the channel occurs for as long as the button is depressed, and the rate of downward scrolling is also a predetermined rate.

Due to the predetermined rate channel scrolling, it can require an excessive amount of time to scroll from one end of the available channels to the other end, for example, from channel 100 up to channel 555. Also, if the predetermined rate of scrolling through the channels is excessively high, it becomes difficult to stop at a particular desired channel. Therefore, many remote controllers of the type allowing channel selection, particularly those for control of televisions and associated equipment, include a keypad comprising a plurality of depressible buttons, the buttons each having an assigned number usually printed on the button, with ten buttons typically being used and each button assigned a number from 0 up to 9. A button assigned 1 can be pressed to call for channel 1, or pressed, and followed within a pre-determined brief time frame by the pressing of a 0 button to in effect call for channel 10. The 2 button pushed by itself calls for channel 2, while the 9 button calls for channel 9, and the 8 button pressed and followed by pressing the 7 button within a brief time frame calls for channel 87 as those skilled in the art as well as users of such remotes understand. With some remote controllers, pressing three channel buttons in a short interval can be used to select channels in the 100s, e.g. pressing 2 and then 3 and then 6 within an allotted time interval calls for channel 236. This procedure is at best awkward to many users.

In some prior art remote controllers associated with television channel selection, particularly modern high channel count receivers, the channel scrolling buttons when depressed to close the switch provide more than one predetermined rate scrolling speeds, i.e., when the button is first depressed, channel changing is slow, and with continued depression of the button over time, high scrolling speeds are obtained. Such multiple predetermined rate scrolling speeds are selected based on how long the normally open momentary-On switch associated with the channel up or down scrolling button has been closed. For example, if a user depresses and holds down the channel scroll up button, scrolling begins at a first predetermined rate which is relatively slow, and within a pre-determined period, a

US 6,400,303 B2

3

counter in the electronics of the host device initiates the electronics to utilize a second and faster predetermined rate of scrolling through the channels. Upon the scroll up button being released, the associated system stops scrolling and resets. Subsequent depression and holding of the scroll up button again requires the first predetermined rate to first be initiated and be held for a period of time, after which the second and faster predetermined rate of scrolling is automatically initiated. While this multi-speed predetermined rate scrolling arrangement might be considered an improvement over a single predetermined rate channel scroller, there are still shortcomings. One clear problem is that there is no ability to gradually slow down the predetermined high scroll rate. The resulting excessive scrolling speed near a desired channel renders it difficult to stop scrolling on the desired channel. Additionally, while the user can scroll through many channels quickly, and then release the scroll button prior to reaching the desired channel, the scroll button will again need to be depressed to advance further toward (or backward to) the target channel, such depression if held too long automatically engages the second faster predetermined scroll speed and rendering it again difficult to stop precisely on the target channel.

Another shortcoming of such remote controllers providing multiple predetermined channel scroll rates related to time of button depression is the significantly long time delay required to shift from a low rate to a high rate of scrolling. Many users choose to use the number keypad for individual channel input rather than wait the time required for the scroll rate to increase. Use of the keypad is less than an optimum solution.

At least one prior art remote controller for the high end Panasonic Omnimotion SVHS VCR employs, in addition to having many momentary-on switches (depressible buttons), a rotary knob linked to a rotary encoder or potentiometer coupled to the internal circuitry and used for outputting a signal via the radiation emitter to the VCR to variably control video speeds such as fast forward or reverse search modes, or the playback rate of the slow motion mode. Additional rotary knob function control technology for a remote controller or commander is taught in U.S. Pat. No. 4,866,542, assigned to Sony Corp. of Tokyo, Japan, and issued Sep. 12, 1989 and reissued as U.S. Pat. No. RE35343 Oct. 1, 1996. While an encoder or potentiometer can be used to control the rate of play of a recorded video in forward or reverse directions, and for controlling certain other functions such as channel selection, encoders and potentiometers are relatively expensive and physically large compared to a typical prior art On/Off depressible button switch of the type used in all such remote controllers. Additionally, in order to function well with a human digit, i.e., finger or thumb, a rotary knob is best sized substantially larger than a depressible button, which leads to the controller being physically larger. Furthermore, a rotary encoder or potentiometer requires the user to apply a rotary force to the knob, and this is a completely different action than the normal, familiar and desirable push button action associated with all or most user interfaces on a hand held remote control commander. Most users of single hand remote controllers can master use of the controller with only one hand, grasping the housing to hold the remote and using either a thumb or finger of the grasping hand to depress the desired buttons. While some can master using a rotary knob on a remote controller in a similar single hand operation, most users find it easier to utilize both hands, one holding the housing and with the other hand rotating the knob.

The vast majority of prior art remote controllers, particularly those used with consumer electronics, employ only

4

depressible buttons associated only with momentary-On switches interfacing with the electronics of the remote controller. The vast majority of remote controllers having a plurality of momentary-On switches and associated depressible buttons utilizing elastomeric injection molded dome-cap type momentary-On switches, and most commonly with a plurality of dome-cap switches held in close proximity to one another in a connected sheet integrally molded with the dome-caps. Elastomeric molded dome-cap momentary-On switches (sensors) are well known and widely used in the prior art as switches incorporated in such devices as remote controllers for televisions and stereos, and in electronic game remote control devices, and some computer keyboards, etc. In all of the above mentioned devices and in all known prior art where the elastomeric dome-cap sensor is employed, the molded dome-cap is always used as a component of a sensor having a single threshold serving as a simple make or break (closed or open) electrical switch in a circuit.

The term elastomeric is used to describe any rubber-like material, whether natural or synthetic.

Structurally, the prior art elastomeric injection molded dome-cap carries a normally raised conductive element or disk referred to as a pill or a carbon pill. The conductive pill is herein sometimes referred to as the "active element". The active element in prior art elastomeric injection molded dome-cap sensors is commonly made of a binder of elastomeric or rubbery material binding carbon or carbon containing material and possibly other materials. The active element is located at the top inside of the non-conductive elastomeric dome-cap and above two proximal highly conductive elements or traces so that with depression of the dome-cap, such as with pressure applied by a finger, the active element is moved with the collapsing dome-cap into contact with both proximal conductive elements and closes an otherwise normally open circuit. Since the injection molded dome-cap is resilient, with release of pressure on the dome-cap it returns to a raised position carrying the active element with it to open the circuit. Electronic circuitry associated with the two proximal conductive elements, which are either bridged or not bridged by the active element of the elastomeric dome-cap, is circuitry which in the prior art has always been structured only to detect or read a threshold event, i.e., an open or closed, only On/Off states across the proximal conductive elements.

As those skilled in the art appreciate, most, but not all elastomeric injection molded dome-caps when depressed produce a soft snap, break-over, which is a user discernable tactile feedback. This tactile feedback occurs when the dome-cap is depressed beyond a given point; the point being where a mechanical threshold is crossed and the tactile "snap" is produced. The snap defining the tactile sensation occurs just prior to the active element being brought into contact with the two proximal conductive elements. The tactile sensation is perceived by the user as occurring at the same time the sensor is activated, which in the prior art is when the switch is closed. The switch remains closed until such time as the user releases pressure on the dome-cap, at which time the dome-cap being made of elastomeric material returns to a raised position carrying the active element with it and off of the proximal conductive elements. The elastomeric injection molded dome-cap typically again produces a tactile sensation as it moves upward crossing the mechanical snap-through threshold. Elastomeric injection molded dome-caps are typically molded primarily of thermoset rubber, are one-piece absent joints or seams, and provide excellent durability for a very low cost. The active

US 6,400,303 B2

5

element in the prior art is typically adhered to the inside top of the dome-cap during the injection molding phase of manufacturing the dome-cap.

Another type of prior art sensor, not known to be used in remote controllers, is described in U.S. Pat. No. 3,806,471 issued Apr. 23, 1974 to R. J. Mitchell for "PRESSURE RESPONSIVE RESISTIVE MATERIAL". Mitchell describes sensors which utilize pressure-sensitive variable-conductance material to produce analog outputs. Mitchell does not use or suggest an elastomeric injection molded dome-cap used to either carry variable-conductance material or to transfer finger applied pressure into variable-conductance material. Mitchell also fails to recognize any need for or suggest the use of an elastomeric injection molded dome-cap to provide tactile feedback to the user upon actuation or de-actuation of the pressure-sensitive variable-conductance sensor. U.S. Pat. No. 4,315,238 issued Feb. 9, 1982 to F. Eventoff describes a pressure-sensitive bounceless switch absent a suggestion of using an elastomeric injection molded one-piece dome-cap or providing tactile feedback, and is thus considered to be cumulative prior art to the Mitchell disclosure. Both Mitchell and Eventoff fail to suggest use of pressure-sensitive variable-conductance sensors or pressure-sensitive variable-conductance material in a remote controller, or in a dome-cap or any sensor embodiment supplying tactile feedback, and applied to a remote controller of a host device such as a television or recorded video player, etc., and in association with circuitry structured for control or manipulation by the elastomeric dome-cap sensor applied as an analog sensor.

Clearly, prior art remote control devices fail to deliver optimum user control of highly ubiquitous consumer electronic devices. Prior art remote control devices fail to deliver user determinable channel rate control. Prior art remote control devices also fail to deliver user determinable variable video rate control in a low cost, ergonomic, familiar and desirable depressible button format.

SUMMARY OF THE INVENTION

The present invention, in one preferred form, is an improved hand-holdable remote controller for providing a human user increased control over a remotely controllable host or parent device. The present improved remote controller utilizes compression or pressure-sensitive variable-conductance analog sensors in place of some or in addition to the typical momentary-On switches associated with finger depressible buttons on the remote controller. In novel combination with the analog sensors is circuitry for reading at least three readable states, analog values or conductance levels of each of the analog sensors, the states dependant upon depressive pressure applied to a finger depressible button associated with each analog sensor. The circuitry is structured to read an immediate, instant or current state or value of the analog sensors and to emit, via an emitter such as an antenna or infrared light or the like, function-control signals outward to the host device. The function-control signals can be of varied value or varied rate. The emitted signal is representative of varying electrical conductance related to the depressive pressure on the pressure sensitive analog sensors. In one embodiment of the invention, the amount of time the button associated with the analog sensor (s) is depressed is a factor determining the type of function-control signal emitted.

With the analog sensors applied as tuner channel-up and tuner channel-down sensors with depressible buttons associated therewith, and operable with a tuner channel changer

6

such as on televisions, satellite receiver/tuners for televisions, cable boxes or VCR channel tuners or the like, the user is provided variable channel change rate control dependant upon the degree of depressive pressure applied to the button associated with the analog sensor of the remote controller. Low depressive pressure on the channel-up button provides a low or slow rate of channel changing upward through the channels, and relatively high depressive pressure on the channel-up button provides a high rate of channel changing upward through the channels. Likewise, low depressive pressure on the channel-down button provides a slow rate of scrolling downward through the channels, and relatively high depressive pressure on the channel-down button provides a high rate of scrolling downward through the channels. Preferably, many different user determinable channel change rates are provided between low and high pressure on the associated channel change button so that the user is provided, for example, very slow, slow, medium, fast and very fast scroll rates. In a digital byte-stream, using 8 bits as a function-control signal representing a variable scroll rate analog sensor as herein taught, 256 different scroll rates can be provided the user through a single depressible button. Such an arrangement provides the user vastly improved channel scrolling control by allowing the user to apply low pressure to slowly move from one channel to the next, or to apply high pressure to move very rapidly through the channels, such as moving through 50 or 100 channels for example to get near a target channel, and then to reduce the applied pressure to the button to reduce the rate of scrolling in order to stop easily and precisely on the desired target channel.

When the analog sensors are applied as recorded video speed control sensors with depressible buttons associated therewith, such as being functional with VCRs, DVDs and the like, the user is provided variable video speed control dependent upon the degree of depressive pressure applied to an analog depressive button of the remote controller. Low depressive pressure on the speed control button provides a slow rate of scrolling through or playing the video, and relatively high depressive pressure on the speed control button provides a higher rate of scrolling through or playing the video. Preferably many video scroll rates or speeds are provided between low and high pressure applied to the associated button so that the user is provided for example very slow, slow, medium, fast and very fast video scroll rates. The video speed control can be applied to accelerate any of or all of the following modes commonly associated with recorded video players: the slow motion play mode, the standard play mode, the reverse or slow motion reverse modes, and forward and reverse scene search modes or the like. Such an arrangement provides the user vastly improved video viewing control by allowing the user to apply various degrees of pressure to one or more analog depressible buttons to vary the video speed.

A remote controller in accordance with the invention can be used with analog sensors also serving a dual role, one role as an On/Off switch and another role as a variable or analog sensor. For example, a recorded video device may be controlled with the dual role sensors in the following manner: pressing and immediately releasing a play button can be interpreted as activation of a simple momentary-On only On/Off switch, such activation indicating for example that normal play speed is desired. The same depressible button with the same sensor may be used in the second role by continuously holding down the play button beyond a given amount of time which can be interpreted as an analog input, for example, to play the video at a representative speed

US 6,400,303 B2

7

according to the depressive pressure. Likewise, fast forward buttons and reverse play buttons can operate in a respectively similar dual mode or dual role manner.

When the analog sensors are applied in a remote controller in accordance with the present invention for audio playback devices, the current invention offers, advantages in manipulating the audio play stream. For example, the forward play button quickly pressed and released may start normal speed audio play, pressed again quickly and released, the host device recognizes the user wishes to go to the next audio selection or song, the button pressed and held continuously beyond a given amount of time instructs the host device to fast forward the audio stream at a rate representative of the depressive pressure. Conversely, the back button may operate the same in the opposite direction. Additionally, a remote controller in accordance with the present invention offers advantage to multiple disk players having a large number of selectable CDs or DVDs or the like, wherein user determinable selection rate of disks with a single button is of significant advantage.

When the analog sensors are applied in a remote controller in accordance with the present invention for controlling Internet integrated, or like on-line computer network host devices, the current invention offers great advantage in variably controlling screen scrolling, and/or video streaming speeds, and variably and/or incrementally controlling selection of hyper-links (links) and the like.

The present invention can assume different modes of operation including modes, which may be, but are not required to be backwardly compatible with many already existing parent or host devices so as to provide users improved control. The present improved remote controller can be built as a universal remote controller capable of functioning with many existing and future host devices which are set-up to be remotely controlled.

Additionally disclosed is an improved method of controlling a host device using a hand-held remote controller, and also methods of manufacturing an improved hand-held remote controller in accordance with the present invention.

While the present improved remote controller can be structured in numerous embodiments, one or more embodiments can be achieved with few and inexpensive changes in prior art technology in order to achieve the many benefits of the present invention. For example, the prior art dome-cap sensors as described above and commonly used on remote controllers have been always used as simple momentary-On only On/Off switches or bounceless On/Off switches in associated circuitry structured to use the sensor only as such a switch. I have discovered that the active element (conductive pill or element) of such prior art dome-cap sensors is compression or pressure-sensitive and variably conductive to a useful degree, and is thus pressure-sensitive variable-conductance material. This property of the active element can be used as an analog or variable pressure sensor. With applied varying pressure changes, the active element changes its conductivity, i.e., resistivity, relative to the applied pressure or degree of compression of the active element. The active element, while a moderate to poor conductor when not under compressive force, drops in resistivity when placed under compressive force, such drop in resistivity being related to the amount of compression of the active element. This pressure-sensitive variable-conductance aspect of the active element in the elastomeric injection molded one-piece dome-cap opens many new and valuable possibilities of use, such as in remote controllers.

Such new-possibilities include very low cost pressure-sensitive variable-conductance sensors allowing integration

8

into a multitude of price sensitive consumer electronic items such as remote controllers. In the past, variable-conductance sensors incorporated into consumer electronic devices were expensive potentiometers and sliding plate resistors, or pressure-sensitive sensors which have typically been even more expensive, running from a few dollars and upward per sensor, and thus such pressure-sensitive sensors are sparingly used. Pressure sensitive variable-conductance sensors are not known to have been used as analog depressible buttons or sensors on remote controllers. On the other hand, the very low-cost elastomeric dome-cap sensors are currently manufactured in very high volume and ubiquitously used as simple only On/Off switches in the large body of currently existing remote controllers.

The elastomeric injection molded dome-cap provides an extremely low cost member capable of serving multiple functions, all of which can be advantageous and beneficial for a pressure-sensitive variable-conductance sensor in a remote controller as taught herein. Such multiple functions of the elastomeric one-piece injection molded dome-cap can include: the dome-cap serving as an inexpensive return spring for ensuring termination of pressure on the active element; the top exterior of the dome-cap providing a finger engagement surface when properly fashioned for serving as a finger placement surface on which a user can press absent a requirement of additional button caps or triggers atop the dome-cap; a seal or debris excluder over electric component surfaces such as the active element and adjacent circuit elements which could be adversely affected by the entrance of foreign matter; tactile feedback to the user upon actuation and de-actuation of the active element or sensor; an ergonomically correct depressible surface which is variably depressible through a wide range, generally absent an uncomfortable hard-stop at the bottom of the depressive stroke; and the injection molded dome-cap providing these functions can be mounted on various base materials such as flexible membrane circuit sheets, rigid circuit boards and flexible membranes supported or stiffened by rigid boards which can themselves possess circuitry.

Additionally, the injection molded dome-cap can be manufactured with multiple dome-caps in a single injection molded sheet wherein all of the dome-caps can be utilized as novel pressure sensors or some of the dome-caps can be novel pressure sensors mixed with other dome-caps used as traditional momentary-On only On/Off switches. Such multiple dome-cap sheets can be highly useful in remote control devices for controlling television, video playback and the like devices wherein many functions may be best served with momentary-on switches (e.g. power On/Off toggling) while other functions (e.g. channel selecting and/or video speed buttons) can be best served with variable-conductance pressure sensors, using the teachings herein.

Another benefit taught herein is the ease of changeover by manufacturers who currently make remote controller devices including housings with circuit boards therein, elastomeric dome-cap sensors associated with the circuit boards, openings through the housings to allow access to the dome-caps to allow depression thereof, and in some cases button covers over the injection molded dome-caps. Following the herein teachings, in the most minimal case, such manufacturers will only need to apply new or modified circuitry on the circuit boards capable of reading any one of at least three readable states (electric states or values) or many more representing depression of the dome-cap sensor. The at least three states of the dome-cap and active element can represent at least: 1) no pressure, 2) low pressure, and 3) high pressure applied to the dome-cap and thus the active element. The dome-cap

US 6,400,303 B2

9

analog sensor and circuitry arrangement as herein taught can be employed in a manner wherein not just three but many states are read, thus ensuring high resolution reading of a variably changing depressive button pressure input.

Yet another benefit of the teachings herein is that not only can a typical prior art dome-cap style switch be used as a pressure-sensitive variable-conductance sensor in a remote controller, but if desired, such a sensor can also supply the user with a tactile feedback on actuation of the sensor, and even further upon de-actuation of the sensor. Benefits of the tactile feedback include a reduction of potential confusion on the part of the user as to when the sensor is actuated and de-actuated. For example, if an analog sensor or sensor used as an analog sensor of the type not having tactile feedback is minimally activated, it is difficult for the user in many instances to determine whether the sensor is still minimally activated or is entirely de-activated.

These, and many other advantages and benefits of the present invention will become increasingly appreciated with continued reading and with a review of the drawings.

BRIEF DESCRIPTION OF THE DRAWINGS

FIG. 1 is an illustration of a hand-holdable remote controller and a host device.

FIG. 2 is a front view of another hand-holdable remote controller having a plurality of depressible buttons.

FIGS. 3-5 show the remote controller of FIG. 2 partially disassembled or not yet fully assembled such as during manufacturing wherein FIG. 3 is a view into the back half of the housing front of the controller and showing the back surface of a sheet of elastomeric dome-caps installed therein; FIG. 4 shows the circuit board of the controller and FIG. 5 shows the inside of the back half of the two piece or split housing.

FIG. 6 shows the sheet of elastomeric dome-caps of FIG. 3 removed from the housing and flipped over to show the front side with depressible buttons.

FIG. 7 shows a median cross section view of an elastomeric injection molded one-piece dome-cap sensor. The sensor is shown with the active element attached to the underside or bottom of the raised dome-cap and thus the active element is carried by and within the dome-cap.

FIG. 8 shows a simple electrical circuit arranged to be an analog sensing circuit and utilizing the elastomeric dome-cap sensor of FIG. 7 as a pressure-sensitive variable-conductance sensor.

FIG. 9 shows a median cross section view of another embodiment of elastomeric injection molded one-piece dome-cap sensor. The shown sensor is a structural arrangement wherein the active element is shown atop and spanning across two proximal conductive elements and within the injection molded dome-cap but not carried by the dome-cap. The elastomeric injection molded dome-cap is shown in a raised position above the active element.

FIG. 10 shows a simple electrical circuit arranged to be an analog sensing circuit and utilizing the elastomeric dome-cap sensor of FIG. 9 as a variable-conductance sensor.

FIG. 11 shows a median cross section view of an elastomeric dome-cap sensor with the dome-cap depressed and representing the dome-cap sensors of either FIG. 7 or FIG. 9 in a state wherein compression or force of some level or amount is applied to the active element.

FIG. 12 shows a median cross section view of a sensor which uses an elastomeric injection molded one-piece dome-cap. The active element is shown sandwiched

10

between two membrane sheets which are separated by a center membrane sheet having a hole which is filled with the active element. The active element is shown beneath the underside center of the raised one-piece injection molded elastomeric dome-cap and below or outside of the dome-cap. In this illustration, the active element is shown neither carried by the dome-cap nor within the dome-cap.

FIG. 13 shows a flat mount sensor or switch package which is structured in a novel manner inside the sensor.

FIG. 14 shows a median cross section view of the FIG. 13 flat mount sensor package structured to be a pressure-sensitive variable-conductance sensor and useful with the present invention.

FIG. 15 shows a median cross section view of the sensor embodiment of FIGS. 13-14 in a depressed or actuated condition.

FIGS. 16-18 each show a top view of varied proximal conductive elements useful generally for interfacing between the active element of an elastomeric dome-cap sensor and a circuit board or circuit bearing membrane sheet or the like circuit bearing sheet.

FIG. 19 is illustrative of some basic components of a prior art hand-holdable remote controller.

FIG. 20 is illustrative of some basic components of a hand-holdable remote controller in accordance with the present invention.

FIG. 21 shows a pressure-sensitive variable-conductance depressible button sensor such as the dome-cap sensors of FIGS. 7 or 9, or the package sensor of FIGS. 13-15 and indicated as a variable resistor connected in a battery powered circuit including a counter with analog-to-digital conversion circuitry for storing and outputting digital information such as could be used with a dual role pressure-sensitive variable-conductance depressible button sensor in an improved remote controller in accordance with the present invention.

BEST MODES FOR CARRYING OUT THE INVENTION

In elaboration of the hereinabove details of the Invention and with reference to the included drawings, best modes for carrying out the invention will now be further described.

FIG. 1 is an illustration of a hand-holdable remote controller 01 and a host device 02. Remote controller 01 physically appears as many prior art remote controllers and can be the appearance of a remote controller in accordance with the present invention, although the improved remote controller as taught herein can be shaped into many different appearances. Remote controller 01 will henceforth be treated as a remote controller structured in accordance with the present invention. Remote controller 01 is shown with a plurality of finger depressible buttons 03 exposed on the front of the case or housing 04. The housing 04 contains circuitry (not shown) such as on a circuit board for interfacing with sensors associated with the depressible buttons 03. Some of the buttons 03 are associated with momentary-On only On/Off switches which the circuitry reads only as such, i.e., On or Off, having only two readable states, while others of the buttons 03 are associated with pressure-sensitive variable-conductance sensors (analog sensors) which the circuitry reads as having at least three readable states, e.g., Off, first On state and second On state. Preferably, there is a continuum of many variable On states.

The remote controller 01 is shown for example including custom shaped variable buttons 03 such as video speed

US 6,400,303 B2

11

control buttons **03** including a reverse button **102**, a forward button **104**, and a fast forward button **106** which may be utilized as variable or dual role as herein detailed. Such variable and dual role functionality may also be applied to dual ganged button **03** having an upper component serving as a tuner channel-up selecting type button **108**, and a lower component serving as a tuner channel-down selecting type button **110**. Also shown is a On/Off power button **112** illustrating that some of the button functions are best served by an only On/Off switch which is read by the circuitry having only two states. Also shown is a numeric button keypad **62**.

Host device **02** is intended to be illustrative of a variety of host devices which include electronics allowing for remote control and which can be remotely controlled with remote controller **01** or **06** (FIG. 2) in accordance with the present invention. Such host devices include televisions, satellite receiver/tuners, video playback devices such as VCRs, DVDs and the like, audio playback devices and the like, and personal computers or the like devices for accessing and maneuvering through on-line computer networks. A signal receiver **05** is indicated on the front of the host device **02** in FIG. 1, the receiver **05** as those skilled in the art understand, typically being a window, or the like, in which an electronic receiver system is mounted to receive function-control signals emitted from a remote controller such as **01** or **06**.

FIG. 2 is a front view of hand-holdable remote controller **06** having a plurality of finger depressible buttons **03** exposed on the front of the case or housing **07**. Remote controller **06** physically appears as many prior art remote controllers and can be the appearance of a remote controller in accordance with the present invention, although the improved remote controller as taught herein can be shaped to appear substantially different. Remote controller **06** will henceforth be described as a remote controller structured in accordance with the present invention. Remote controller **06**, like that of controller **01**, contains circuitry inside housing **07** such as on a circuit board **09** (see FIG. 4) for interfacing with sensors associated with the depressible buttons **03**. Some of the buttons **03** are associated with momentary-On only On/Off switches which the circuitry reads only as such, i.e., On or Off, or as having only two readable states, while others of the buttons **03** are associated with pressure-sensitive variable-conductance sensors (analog sensors) such as in FIGS. 7, 9, **11**, **12** or **13-15** (to be described below) which the circuitry reads as having at least three readable states, e.g., Off, a first On state and a second On state which can be On low and On high. Other assignments can be made for the three readable states, as well as many On states between On low and On high which the human user can control through varied or different amounts of depressive pressure applied to the button associated with such analog sensors. Normally only one depressible button is or will be associated with only one analog sensor.

FIGS. 3-5 show remote controller **06** of FIG. 2 partially disassembled or not yet fully assembled such as during manufacturing thereof, wherein FIG. 3 is a view into the inside back half of the front of housing **07** and showing the back surface of a sheet of elastomeric dome-caps **08** installed therein; FIG. 4 shows the circuit board **09** of remote controller **06** and FIG. 5 shows the inside of the back half of the split or two piece housing **07**. FIG. 5 also shows a battery socket **11** allowing batteries to be inserted into housing **07** to serve as an electrical power source connecting to circuit board **09** to provide electrical power for operation of remote controller **06**, i.e., powering the circuitry and emitter **00** of

12

the circuitry of circuit board **09**. Circuit board **09** in FIG. 4 is shown including the emitter **00** connected thereto and which is or would be connected to the circuitry of the board allowing the circuitry of the board **09** to control or drive emitter **00**. Emitter **00** can be an antenna or infrared light or the like radiation or signal emitter capable of sending or emitting signals such as function-control signals outward from housing **07** (outward from the remote controller). Circuitry is not shown on circuit board **09** in FIG. 4 due to the small size of the drawing figure, but would appear as circuit traces connecting to the battery, extending to an ASIC microcontroller, CPU or discrete components and/or the like, extending to emitter **00**, and including, if elastomeric dome-caps sensors are used, proximal conductive circuit elements such as shown in FIGS. 16-18 located under each dome-cap for interfacing with the active element **14** (FIG. 7) of the dome-caps. If dome-cap type sensors are not used, but instead packaged switches or analog sensors are used, such as the analog sensor of FIGS. 13-15 to be described below, the circuitry of board **09** would be structured to connect conductive connecting legs **40** and **42** as will be detailed below.

FIG. 6 shows the sheet of elastomeric dome-caps **08** of FIG. 3 removed from the housing or not yet installed therein, and flipped over to show the front side with depressible buttons **03** of the individual dome-caps **12**. The depressible buttons **03** in this example are integrally molded continuations or enlarged extensions of the dome-caps **12**. The outer most surfaces **13** of the individual dome-caps **12** or more precisely the buttons **03** thereof serve as surfaces against which a finger can be placed to depress the dome-cap and actuate the associated electrical circuitry. As those skilled in the art understand, dome-caps **12** can include plastic button caps or covers which define the exposed portions of the dome-caps against which a finger can be applied to depress. Additionally sheet connected dome-caps as shown in FIG. 6 are commonly molded as single integral units making it both quick and inexpensive to manufacture a plurality of dome-caps **12** in desired patterns or positions relative to one another, and further, sheet-connected dome-caps **12** can be quickly installed as a unit in a housing having openings through which the surfaces **13** of the dome-caps **12** protrude. It should be noted that dome-caps **12** or dome-cap sensors can be made in single unit form and not connected to other dome-caps by connecting sheeting.

FIG. 7 shows a median cross section view of an elastomeric dome-cap sensor **10**, which is an electrical sensor using a dome-cap **12** as a component thereof. Dome-cap sensor **10** is in accordance with the prior art and can be used in a novel new use of such a sensor in a remote controller in accordance with the present invention, and in a novel new structural combination as herein disclosed in accordance with the present invention. Sensor **10** is shown in the deactivated state or condition with the elastomeric one-piece injection molded dome-cap **12** raised and thus the active element **14**, i.e., conductive pill is shown raised and disengaged from two proximal conductive elements **16**, **18**. The sensor **10** is in a "state" which is readable by circuitry and which could or can be considered an Off state or first state. In a remote controller in accordance with the present invention, the two proximal conductive elements **16** and **18** are or would be conductive elements of the circuitry on circuit board **09** or the like circuit bearing member. The active element **14** is attached to the underside of dome-cap **12** and is thus carried by the dome-cap, the attaching most commonly being by the dome-cap **12** being formed by injection molding to the pre-formed active element **14** which

US 6,400,303 B2

13

has been inserted into the molding cavity prior to the injecting of the thermoset rubber commonly used to make highly durable dome-caps 12. Multiple shot injection or adhesive attachment or any other suitable connection can be used to connect active element 14 to injection molded dome-cap 12. Conductive elements 16, 18 are shown attached to or supported by a typically non-conductive base 20 which is a board of a circuit board such as circuit board 09, a flexible membrane sheet, combination thereof or the like. Dome-cap 12 is shown with an outward extending flange 22 at its bottom end on base 20 extending parallel to base 20. Flange 22 is typically integrally injection molded or in one-piece with the balance of dome-cap 12. Flange 22 can be adhered in place to base 20 such as with adhesives or dome-cap 12 can be otherwise held in proper location to base 20 and conductive elements 16, 18 such as with mechanical restraints, as for example by sandwiching flange 22 between portions of a housing or the like, or by having the upper portion of dome-cap 12 positioned within a movement restricting opening in a housing which only allows the upper portion to move toward and away from base 20 and conductive elements 16, 18. Flange 22 can be a portion of the sheet connecting multiple dome-caps 12. The FIG. 7 sensor with the active element containing tungsten carbide is a highly preferred sensor embodiment for use with or in conjunction with the present invention.

FIG. 8 shows a simple electrical circuit structured to be an analog sensing circuit and utilizing the elastomeric dome-cap sensor 10 of FIG. 7 as a pressure-sensitive variable-conductance sensor. "Analog sensing circuit" is one which is structured to be at least in part manipulated or controlled by operation of an analog sensor, the analog sensor being a sensor capable of being read by analog sensing circuitry as having at least three readable states dependant upon applied depressive pressure. No applied depressive pressure can be and will normally be treated as an amount of depressive pressure and associated with one of the three readable states. Also specifically shown is a battery 24 as an example of an electrical power source in the circuit, and a meter 26 including an electromagnetic coil engaged to a moveable indicating needle adjacent a printed scale or range gauge and capable of showing varying conductivity across the elastomeric dome-cap sensor 10. The dome-cap sensor 10 is indicated in the circuit as being in what could be considered a first or open state in this example. It should be understood that depressive pressure applied to the dome-cap 12 will move the raised portion of the dome-cap 12 toward base 20 sufficiently to bring the active element 14 into contact with both conductive elements 16, 18, and with sufficient pressure, and varying pressure well within a range readily applied by a human finger, the sensor 10 will be moved to second and third, etc. states with increasing applied pressure, and the different states in this example, because this is an analog circuit, will be indicated by the needle of the meter 26 being positioned left, right or at various states in between on the scale. The scale of meter 26 in this example includes marks which the needle moves through, in this example the needle moving to the right as the resistivity of the active element 14 decreases. It can be appreciated that while the marks are only printed on the scale, each mark represents a position the needle can pass through, and an electrical state of the sensor in which each can have a digital bit assignment associated therewith. In this example, higher pressure to dome-cap 12 and active element 14 would move the needle further to the right indicating lower resistivity, i.e. greater conductivity of active element 14. As those skilled in the art can appreciate and as will be further discussed below,

14

digital bit assignments can be made for any level or state of conductivity and at least two bits of digital information are required for identifying more than two readable states. Such digital information can readily be used as function-control signals emitted from the remote control to control functions of a host device 02. It should be understood that meter 26 is only for illustrative purposes, as such a meter with needle is not anticipated as being required in a remote controller in accordance with the invention.

FIG. 9 shows a median cross section view of an elastomeric dome-cap sensor 28 structured with the active element 14 mounted atop and spanning across the two proximal conductive elements 16, 18. The dome-cap 12 is shown in a raised position above the active element 14 and the sensor is shown in what can be used as or considered as a deactivated state or first state (off or open state) since no compressive pressure or force is being applied to active element 14. The conductive pill or active element 14 of a typical prior art dome-cap sensor is a moderate to poor conductor when not compressed and becomes a much improved conductor under compression, and this means that if active element 14 of the FIG. 9 sensor is made of the same material commonly used as the active element in prior art dome-cap sensors, then when the dome-cap is raised as shown in FIG. 9, minimal current (little if any current depending upon the applied voltage) can flow between the two proximal conductive elements 16, 18. Such minimal current flow is to a lesser extent than if the active element were under compression, and so this lesser extent, if desired, can be treated as and assigned a bit assignment representing a deactivated state with the activated states being associated with the varying conductivity of the active element 14 when under varying degrees of compression. Active element 14 is shown in FIG. 9 within the dome-cap but not carried by the dome-cap 12.

FIG. 10 shows a simple electrical circuit arranged to be an analog sensing circuit and utilizing the elastomeric dome-cap sensor 28 of FIG. 9 as a pressure-sensitive variable-conductance sensor in combination with a meter 26. The needle of meter 26 is shown moved somewhat to the right to indicate compressive force being applied to active element 14 with dome-cap 12 depressed as shown in FIG. 11 wherein the sensor is in an activated state. Again, meter 26 is only for illustrative purposes, as such a meter with needle is not anticipated as being required in a remote controller in accordance with the invention.

FIG. 11 shows a median cross section view of an elastomeric dome-cap sensor with the sensor shown in the activated state or condition with the dome-cap 12 depressed and representing the dome-cap sensors of either FIG. 7 or FIG. 9 in the activated state, i.e., activated state meaning with the active element 14 under a degree of compression from the depressed dome-cap 12. Deactivated state generally meaning the active element 14 is not being compressed by the dome-cap 12.

FIG. 12 shows a median cross section view of an elastomeric dome-cap sensor 30 in the deactivated state or condition with active element 14 sandwiched between two non-conductive flexible membrane sheets 32, 34 which are separated by a center membrane sheet 36 which includes a hole therein filled with active element 14. The membrane sheets are shown atop a stiff base 20 beneath the underside center of the raised dome-cap 12 which is mounted atop the upper most membrane sheet. Two proximal conductive elements 16, 18 are shown between the membrane sheets 32, 34 and contacting opposite sides of active element 14. The proximal conductive elements 16, 18 can be printed conductive ink on membranes 32 and 34. Active element 14

US 6,400,303 B2

15

which is not carried by dome-cap 12 is shown beneath the underside center of the raised dome-cap 12 and outside of, or not within dome-cap 12, but rather is below the bottom surface of flange 22. The dome-cap 12 can be manually depressed to move toward base 20 to apply pressure on the nearest membrane sheet 32 which will flex and transfer depressive force into active element 14 which will alter its conductivity relative to the degree of compression or force thereon, thus altering the conductivity through active element 14 between proximal conductive elements 16, 18.

FIG. 12 additionally shows that dome-cap 12 can be manufactured with uniform wall thickness such as to accommodate certain materials which mold and perform in an improved manner when kept uniform in thickness, as opposed to those embodiments shown in FIGS. 7, 9 and 11 which have an upper portion of much greater thickness than the lower portion of the dome-cap 12.

The embodiment of FIG. 12 shows active element 14 sandwiched between conductive elements 16 and 18 as taught in the Mitchell patent 3,806,471 and further sandwiched between membrane sheets as shown in the Eventoff U.S. Pat. No. 4,315,238 as a bounceless On/Off switch. My addition of the elastomeric injection molded one-piece dome-cap 12 in this embodiment creates a novel sensor with some, but not all, of the above discussed advantages afforded to an injection-molded dome-cap sensor having analog or pressure sensitive properties. While the novel embodiment of FIG. 12 is or would be functional with the present invention, it is not the most preferred sensor discussed herein for certain reasons such as: this embodiment is not the lowest cost manufacturing technology discussed herein, or the easiest to manufacture, or the best performing sensor embodiment described herein.

In order to gain the benefits of the present invention, manufacturers who currently make remote controller devices (including housings with circuit boards therein, elastomeric dome-cap sensors associated with the circuit boards, openings through the housings to allow finger access to the dome-caps or to otherwise allow depression thereof, and in some cases button covers over the dome-caps) need only, in the simplest case, apply new or modified circuitry (including any necessary circuitry programming) on the circuit boards capable of reading any one of at least three readable states (electric states or values) and preferably many more readable states representing depression of the dome-cap sensor. The at least three states of the dome-cap and active element (sensor) can represent at least: 1) no pressure, 2) low pressure, and 3) high pressure applied to the dome-cap and thus the active element and different level of conductivity thereof. The three states are defined, for example, by the different levels of conductance of the active element such as when under no pressure and essentially deactivated, and when under compressive pressure at a first level and when under compressive pressure at a second level. The new or modified circuitry needs to be capable of reading any one of the at least three readable states of the dome-cap sensor 10. Such readable states, for example, can be:

- 1) a first level of electrical resistance being relatively high resistance or open across the proximal conductive elements indicating the dome-cap as raised;
- 2) a second level of electrical resistance being less than the first level but allowing current flow between the proximal conductive elements and being indicative of the dome-cap being lightly depressed and lightly compressing the active element 14; and
- 3) a third level of electrical resistance being less than the first and second levels and allowing current flow

16

between the proximal conductive elements 16, 18 and being indicative of the dome-cap being depressed and compressing (applying force) active element 14 more firmly or with greater pressure compared to the second level or state.

Each state can be associated with an individual bit or digital assignment, although if the no pressure or first pressure level of the analog sensor is treated as an open switch not requesting any action, typically there would not be a need for a function-control signal to be emitted from the remote controller 01 or 06 to a host device 02 for this first state, but second and third states would be associated with a bit or digital assignment which resulted in a function-control signal being emitted by emitter 00 from the remote controller 01 or 06 to host 02.

Analog to digital conversion connotes transferring the variable or different electrical states of the active element in a manner requiring a minimum necessary or required number of digital bits to describe a maximum possible number of variable states. The conversion requiring at least two digital bits or equivalent wording thereto, means that the active element 14, being variably conductive, i.e., variably resistive or variably rectifying, can be described as having more than only two possible states of electrical conductivity, and those states can be described with digital information (bits). The number of bits necessary (required) to describe a specific possible number of states is well known by those skilled in the art, as the possible described states is a factor of the bits required to describe such states. For example: two different states require at least one digital bit to describe, On or OFF, the bit is a zero or a one; three different states require at least two digital bits to describe; and three bits are required to describe a minimum of 5 states; to describe a somewhat smoothly variable active element having 256 states requires at least eight bits of digital information, etc. The term "storing" means that a representative value of a read state of the active element 14 is at least stored in some register at some time within the digital electronics processing the status of the active element 14.

The conductive pill or active element 14 of typical prior art elastomeric dome-cap sensors is variably conductive and pressure-sensitive to a degree quite useful in an analog sensing circuit as herein disclosed. Such prior art active elements are believed to be primarily carbon within an elastomeric or rubbery binder. However, within the scope of the invention, variable conductance can be achieved with other materials having either variable resistive properties or variable rectifying properties. For the purpose of this disclosure and the claims, variable-conductance and equivalents thereto means either variably resistive or variably rectifying. Pressure-sensitive variable-conductance material 54 as herein used particularly in reference to FIGS. 13-15 (to be described below) is such material. Active element 14 is also pressure-sensitive variable-conductance material. Material having these qualities can be achieved utilizing various chemical compounds or formulas some of which I will herein detail for example. Additional information regarding such materials can be found in U.S. Pat. No. 3,806,471 issued to R. J. Mitchell describing various feasible pressure-sensitive variable-conductance material formulas which can be utilized.

While it is generally anticipated that variable resistive type materials for defining active element 14 or material 54 are optimum for use in pressure sensor(s), variable rectifying materials are also usable within the scope of the present invention.

An example formula or compound having variable rectifying properties can be made of any one of the active

US 6,400,303 B2

17

materials copper oxide, magnesium silicide, magnesium stannide, cuprous sulfide, (or the like) bound together with a rubbery or elastomeric type binder having resilient qualities such as silicone adhesive or the like.

An example formula or compound having variable resistive properties can be made of the active material tungsten carbide powder (or other suitable material such as molybdenum disulfide, sponge iron, tin oxide, boron, and carbon powders, etc.) bound together with a rubbery or elastomeric type binder such as silicone rubber or the like having resilient qualities. The active materials may be in proportion to the binder material typically in a rich ratio such as 80% active material to 20% binder by volume, but can be varied widely from this ratio dependant on factors such as voltages to be applied, level or resistance range desired, depressive pressure anticipated, material thickness of the active element, surface contact area between the variable-conductance material and conductive elements of the circuit, binder type, manufacturing technique and specific active material used. I have found that tungsten carbide powder bound with a rubbery or elastomeric type binder such as silicone rubber or the like provides a wider range of varying resistance than the typical carbon pill or active element 14 of the prior art dome-cap switches and thus may be preferred particularly for application requiring high resolution. Also, the tungsten carbide based active element is more predictable in its pressure sensitive varying conductivity over a wider temperature range than the typical carbon based active element used in prior art dome-cap switches.

FIG. 13 shows a flat mount sensor package which outwardly appears as many prior art switches or sensors. An analog sensor used in the present invention can also appear as shown in FIG. 13. The sensor of FIG. 13 as will be shown in FIG. 14 is a novel analog sensor capable of variable conductance through at least three readable states, and such a sensor is not known to exist in the prior art. The analog sensor of FIGS. 13-15 can be used in a remote controller in accordance with the present invention. FIG. 13 shows four extensions external of housing 38 which those skilled in the art understand in regards to prior art switch packages are in effect two conductive elements 40, 42 wherein two of the extensions represent portions of first conductive element 40 external to housing 38, and the other two extensions represent portions of second conductive element 42; as is common in many prior art switch packages for allowing increased strength and options in mechanical and electrical connecting, and such multi-extensions external of housing 38 for each conductive element 40, 42 can also be used on sensors used with the present invention. Housing 38 is typically of non-conductive plastics, and the two conductive elements 40 and 42 are typically highly conductive and of fairly constant conductivity; the conductive elements 40, 42 each fixed to housing 38 and in-part within housing 38 and in-part exposed external of housing 38. Conductive elements 40, 42 are herein sometimes referred to as first conductive element 40 and second conductive element 42, and are typically formed via stamping and bending of sheet metal. Typically, housing 38 is of non-conductive plastics molded around portions of conductive elements 40 and 42 so as to retain the conductive elements in proper location to housing 38. Also shown in FIG. 13 is a housing closing plate 46 and retaining studs 48 at the corners for retaining plate 46 on the balance of housing 38, and a depressible actuator 44 extending from within housing 38 through an opening in plate 46.

FIG. 14 shows a median cross section view of the sensor package of FIG. 13 and showing pressure-sensitive variable-conductance material 54 within a recess or well 50 inside

18

housing 38 contacting second conductive element 42 and capped by an optional conductive cap 52. The FIG. 14 sensor includes the optional conductive cap 52, which can be used to define a lamination of pressure-sensitive variable-conductance material 54 onto conductive sheet material and then cut-out with a hole punch prior to insertion in to the well 50 of the housing of the sensor package. Conductive cap 52 being atop pressure-sensitive variable-conductance material 54 is effectively closing pressure-sensitive variable-conductance material 54 within well 50. Conductive cap 52 should either be flexible so as to be able to bow into pressure-sensitive variable-conductance material 54, or loose fit in well 50 so as to be able to move in its entirety into pressure-sensitive variable-conductance material 54 when pressure is applied thereto by snap-through dome-cap 16 to be detailed. Conductive elements 40, 42, are shown separated from one another within housing 38 and in a normally open state or circuit, being separated by space and the insulating material defining housing 38. An end portion of first conductive element 40 within housing 38 is shown positioned in constant contact with a side edge of dome-cap 56. Dome-cap 56 is a circular resilient disk having a domed or concavo-convex shape and typically made of electrically conductive metal. Dome-cap 56 is shown positioned within a large recess or the interior open space defined by housing 38 and between depressible actuator 44 and conductive elements 40, 42. As shown in FIG. 15, in this sensor embodiment, depression of actuator 44 sufficiently causes dome-cap 56 to bow downward causing a center portion of dome-cap 56 to contact conductive cap 52. If cap 52 is not used, dome-cap 56 would contact material 54 directly. Well 50 is also optional. The contacting of the center portion of dome-cap 56 with conductive cap 52 causes an electrical bridging or closing between conductive elements 40, 42 through pressure-sensitive variable-conductance material 54, conductive cap 52 and conductive dome-cap 56, the degree of conductivity determined by the degree, level or amount of pressure applied to pressure-sensitive variable-conductance material 54 by way of pressure applied to actuator 44, and thus at least three readable states can readily be obtained with this packaged analog sensor embodiment. Dome-cap 56 when pressed against by way of depressive pressure applied to actuator 44 bows toward conductive cap 52 with a degree of resistance to moving, the resistance begins relatively low and increases toward a snap-through threshold wherein at the snap-through threshold dome-cap 56 "snaps-through" and moves further downward. A snap or click (tactile sensation) can be felt and in some applications heard (user discernable tactile feedback) as dome-cap 56 snaps-through its threshold. The snap-through dome-cap 56 being of resilient design, returns to a raised position off of conductive cap 52 when actuator 44 is no longer depressed, and thus the sensor is a momentary-On analog type sensor capable of outputs of many different readable states. Also, the resiliency of the metal dome-cap 56 is used as the return spring for depressible actuator 44, holding the actuator 44 raised or outward when not depressed by an external force such as a human finger. Depressible actuator 44 is shown protruding through opening 58 in plate 46, and is prevented from passing completely through opening 58 by a flange 60 connected to actuator 44 and too large to pass through opening 58. The portion of depressible actuator 44 which is external of housing 38 can be of numerous sizes, shapes and lengths, for example to accommodate the attachment of or contacting of extending and/or enclosing members such as buttons, or to serve directly as a surface against which a finger can be applied to depress the actuator 44.

US 6,400,303 B2

19

FIG. 15 shows a median cross section view of the embodiment of FIG. 14 with actuator 44 depressed, such as it would be by a user's finger or thumb, to such a degree as to cause dome-cap 56 to impinge upon conductive cap 52 atop the pressure-sensitive variable-conductance material 54. The pressure applied to conductive cap 52 is transferred in pressure-sensitive variable-conductance material 54 and the conductance between circuit elements 40 and 42 is varied upon varied compressive pressure on material 54. Numerous variations of the analog sensor of FIGS. 13-15 structure can be made, and such analog sensors can be used in a remote controller in accordance with the invention which also uses elastomeric dome-cap sensors. Circuit elements 40 and 42 solder or otherwise electrically connected to circuitry of the remote controller, such as the circuitry of circuit board 09 allowing the packaged analog sensor to interface with the circuitry and electronics of the remote controller 01 or 06.

FIGS. 16-18 show a top view of two conductive elements 16, 18 in various proximal arrangements as they may be applied in sensor embodiments useful with the present invention, particularly elastomeric dome-cap sensors wherein the active element 14 (or material 54) spans the two proximal conductive circuit elements 16, 18 to bridge the elements which are extensions of the circuitry of a circuit board such as discussed above in regards to circuit board 09. In this arrangement with circuit elements 16, 18, aligned to engage active element 14, the elastomeric dome-cap sensor electrically interfaces with the associated circuitry of the circuits of circuit board 09. A human digit, i.e., finger or thumb, can interface with the sensor as a whole by pressing, and with different amounts of force, the button surface of the button associated with the balance of the sensor, and thus interface with the circuitry of the remote controller for user selection of function-control signals to be emitted to host device 02. FIG. 16 shows two conductive elements 16, 18 as two side-by-side plate-like pads. FIG. 17 shows two conductive elements 16, 18 as two side-by-side pads having opposed fingers. FIG. 18 shows two conductive elements 16, 18 as two side-by-side pads defined by interdigitated fingers.

FIG. 19 is illustrative of some basic components of a prior art hand-holdable remote controller including a keypad 62, housing 64, circuitry 66 connected to an emitter 00, a battery 68 connected to the circuitry 66. Typically, as in the prior art, keypad 62 is a grid of electrical conductors formed in a row and column pattern connected to circuitry 66 and including at the junction of each row and column is a momentary-on only On/Off switch typically associated with a depressible button for each switch. The circuitry is commonly an ASIC chip (application specific integrated circuit) or microcontroller in a surface mount or a COB package (chip on board) or the like.

FIG. 20 is illustrative of some basic components of a hand-holdable remote controller in accordance with the present invention and including a keypad 62, housing 04, a battery 68, emitter 00, circuitry 70 having an additional circuitry 72 for reading pressure-sensitive variable-conductance material 54 or active element 14 of a sensor such as a pressure-sensitive variable-conductance depressible button sensor as shown in FIGS. 7, 9, 12 or 13-15 and indicated as variable resistors 74 in the drawing. Circuitry 70 shows additional circuitry 72 for reading the analog state or value of variable resistors 74. Analog-to-digital conversion circuitry is well known in the prior art, and is typically achieved either within the microcontroller or ASIC chip by dedicated internal ADC hardware, or it is achieved external to the chip such as by charging a capacitor through a variable

20

resistor and measuring the time required to charge the capacitor as a function of immediate resistance of the variable resistor. While analog-to-digital conversion is commonly known, it is not commonly used in remote controllers and is not known to ever have been used with an analog depressible button format in a remote controller as herein taught. In use, the user depresses a button 03 (FIGS. 1, 2, 6) associated with variable resistor 74 and the state or level of depressive pressure exerted by the user's finger or thumb is read by ADC circuitry 72, and formatted by circuitry 70 into a signal representing a read state and emitted by emitter 00 as a complete function-control signal indicating which sensor has been activated and to what extent. While FIG. 20 only shows to variable sensors 74, one or many such depressible analog button sensors could clearly be applied in like manner.

In FIG. 20 the two variable resistors 74, i.e., analog depressible button sensors, can represent a channel-up and a channel-down set of buttons for channel tuner control, or video speed forward or video speed in reverse control set of buttons such as on a VCR or DVD, or audio speed forward or audio speed in reverse control set of buttons such as on an audio playback device.

FIG. 21 being primarily regarding the "dual role" of the analog sensors in a remote controller as mentioned above. Shown is a simplified flow chart, for example only, representing a program element for reading a single analog sensor and determining whether the output caused by a variable input depressible button will be either a first signal type such as an only On/Off signal type, or a second signal type such as a variable signal representative of differing levels of depressive pressure applied, both signal types being generated from a singular button on the remote controller housing, the button associated with a pressure-sensitive variable-conductance sensor for varying conductance through at least three readable states, and preferably many more states.

The flow chart demonstrates that the program first looks at variable resistor 74 of the sensor and reads 80 the sensor's current state. The program flow control then goes to decision 82 based on the question "is the sensor activated?" If the sensor is activated, a counter is incremented 84 indicating that the sensor has been read as activated. Additionally the sensor state or value is stored in a storage register(s) and averaged 86 (or equivalent) with any other previous read values. The counter value is read, and a decision 88 is made depending on the counter value, if the counter value is not sufficiently high, for example, ten reads of the sensor, then the sensor is read 80 again. If the counter value is sufficiently high, then the button has been held sufficiently long, for example, 1/4 of a second or longer, and the second type signal is output 90 to emitter 00 transmitting signal(s) representing the level of depressive pressure applied to the button and analog sensor 74. The counter and storage register(s) are then cleared or reset 92. On the branch in which a first type signal would be output, at decision 82 "is the sensor activated?" if the answer is no, then the counter value is examined 96, if the counter value is not of a sufficient value, for example, at least more than one, then any previously stored sensor activation is considered spurious and discarded, the counter and storage values are reset 92 and the sensor is read 80 again. On the other hand, at decision 96, if the counter value is greater than one for example, then the button is deemed to have been pressed and immediately released so the first type signal is output 98 to emitter 00, the counter and storage register(s) are then reset, and the sensor is read 80 again. Thus, the dual role sensor output offers advantage in for example, channel switching wherein a

US 6,400,303 B2

21

channel may be incremented by a quick press and release, and channels may be scrolled at a desired speed by continuous user selected depressive pressure on a button of the remote controller. Likewise for control of video streaming and the like.

From the drawings and above details it should be appreciated that the present invention can readily be described in numerous ways including the following descriptions provided for the sake of positive clarity and which reiterate certain details, provide, expand on and combine other details.

For example, the invention from one view point is an improved hand-holdable remote controller for controlling a host device, the remote controller of the type including a housing, an electrical power source within the housing, electronic circuitry within the housing connected to the power source and including an emitter positioned to emit function-control signals from the housing, a plurality of finger depressible buttons exposed on the housing and interfacing with sensors electrically associated with the circuitry for allowing user selection of function-control signals emitted for controlling a host device; a plurality of the sensors read by the circuitry as sensors having only two readable states;

wherein the improvements comprise:

at least one of the sensors structured as a pressure-sensitive variable-conductance sensor to provide at least three readable states of varied conductance, the states dependant upon depressive pressure applied to the variable-conductance sensor;

the circuitry including means, e.g., circuit conductors connected to electronic components such as a digital-to-analog converter coupled to a data storage register and emitter 00, for reading the at least three readable states and for emitting distinct function-control signals for each of at least two states of the at least three readable states.

The invention from another view point is an improved hand-holdable remote controller for controlling a host device, the remote controller of the type including a housing, an electrical power source within the housing, electronic circuitry within the housing connected to the power source and including an emitter positioned to emit function-control signals from the housing, a plurality of finger depressible buttons exposed on the housing and interfacing with sensors electrically associated with the circuitry for allowing user selection of function-control signals emitted for controlling a host device;

wherein the improvements comprise:

at least two of the sensors each structured to provide at least three readable states of varied conductance, the states dependant upon depressive pressure applied individually to the sensors of the at least two sensors;

the circuitry including means, e.g., circuit conductors connected to electronic components such as a digital-to-analog converter coupled to data storage registers and emitter 00, for reading the at least three readable states and for emitting function-control signals representative of each of at least two states of the at least three readable states;

a first sensor of the at least two sensors, the first sensor associated with a first button of the finger depressible buttons, the first button variably depressible to allow applying varied depressive pressure to the first sensor, the first sensor associated with means, e.g., the analog-to-digital converter coupled to a particular sector of the data storage register, of the circuitry

22

for reading the at least three readable states and emitting tuner channel-up selecting type of the function-control signals;

a second sensor of the at least two sensors, the second sensor associated with a second button of the finger depressible buttons, the second button variably depressible to allow applying varied depressive pressure to the second sensor, the second sensor associated with means, e.g., the analog-to-digital converter coupled to a particular data storage register, of the circuitry for reading the at least three readable states and emitting tuner channel-down selecting type of the function-control signals. More narrowly, wherein the first and second sensors are each elastomeric dome-cap sensors each including a pressure-sensitive variable-conductance material positioned over proximal conductive circuit elements of the circuitry.

From yet another view point, the invention is an improved hand-holdable remote controller for controlling a host device, the remote controller of the type including a housing, an electrical power source within the housing, electronic circuitry within the housing connected to the power source and including an emitter positioned to emit function-control signals from the housing, a plurality of finger depressible buttons exposed on the housing and interfacing with sensors electrically associated with the circuitry for allowing user selection of function-control signals emitted for controlling a host device; a plurality of the sensors read by the circuitry as sensors having only two readable states;

wherein the improvements comprise:

at least one of the sensors structured as a pressure-sensitive variable-conductance sensor for varying conductance through at least three readable states, the states dependant upon depressive pressure applied to an associated finger depressible button; and

the circuitry structured for reading any one state of the at least three readable states, and for emitting by the emitter a first signal type and a second signal type, emission of either one of the signal types determined by an amount of time of depression of the button, and the second signal type further including a signal representative of the level of depressive pressure applied to the button.

From another view point, the invention is an improved method of controlling a host device using a hand-held remote controller, the controller of the type including a housing, an electrical power source within the housing, electronic circuitry within the housing connected to the power source and including a radiation emitter positioned to emit radiation from the housing, a plurality of finger depressible buttons exposed on the housing and interfacing with sensors electrically associated with the circuitry for allowing user selection of function-control signals emitted as radiation by the radiation emitter for controlling a host device; at least some of the sensors being only ON/Off sensors, the controller further of the type wherein a user depresses any one of the buttons to activate a related singular function-control signal, and releases the button to deactivate the function-control signal;

wherein the improvement comprises:

depressing, by the user, one of the buttons with any user selectable pressure level of a plurality of user selectable pressure levels, the depressing of the button for activating one function-control signal of a plurality of activatable function-control signals associated

US 6,400,303 B2

23

with the button, whereby the user selects function-control signals associated with the button by way of selecting the pressure applied to the button. More narrowly, wherein the host device is a tuner for channel changing, and the method further comprises manipulating channel change rate by selecting any the user selectable pressure level of the plurality of user selectable pressure levels associated with the button, and further, wherein manipulating of channel change rate is such that channel change rate increases with increasing pressure applied to the button. Alternatively, wherein the host device is a recorded video player, and the method further comprises manipulating video play rate by selecting any the user selectable pressure level of the plurality of user selectable pressure levels associated with the button. Alternatively, wherein the host device is a recorded audio player, and the method further comprises manipulating audio play by selecting any the user selectable pressure level of the plurality of user selectable pressure levels associated with the button.

From another view point, the invention is a method of manufacturing an improved hand-held remote controller including the known prior art steps of: molding a housing; installing means for receiving a power source, e.g., battery socket, within the housing; installing electronic circuitry within the housing and connected to the means for receiving the power source; connecting a radiation emitter to the circuitry and positioned to emit radiation from the housing; installing a plurality of finger depressible buttons with sensors electrically associated with the circuitry; the circuitry for reading a plurality of the sensors as sensors having only two readable values; and

further including the novel combined steps of:

installing pressure-sensitive variable-conductance sensors activated by depression of the depressible buttons, the variable-conductance sensors structured to provide at least three readable values, the values dependant upon depressive pressure applied to the depressible buttons;

installing circuitry for reading an immediate value of the at least three readable values of the pressure-sensitive variable-conductance sensors, and for outputting from the emitter data representative of the immediate value., whereby the improved remote controller is manufactured for outputting data representative of the depressive pressure applied to the depressible buttons.

From another view point, the invention is a method of manufacturing an improved hand-held remote controller including the known prior art steps of: molding a housing; installing means for receiving a power source, e.g., battery socket, within the housing; installing electronic circuitry within the housing and connected to the means for receiving the power source, e.g., battery socket; connecting a radiation emitter to the circuitry and positioned to emit radiation from the housing; installing a plurality of finger depressible buttons with sensors electrically associated with the circuitry; the circuitry for reading a plurality of the sensors as sensors having only two readable values; and installing pressure-sensitive variable-conductance sensors activated by depression of the depressible buttons, the variable-conductance sensors structured to provide at least three readable values, the values dependant upon depressive pressure applied to the depressible buttons; and

further including the novel step of:

installing circuitry for reading a current, instant or immediate value of the at least three readable values

24

of the pressure-sensitive variable-conductance sensors, and for outputting from the emitter data representative of the current value, whereby the improved remote controller is manufactured for outputting data representative of the depressive pressure applied to the depressible buttons, the depressive pressure being variable by the human user for varying the output data.

Although I have very specifically described the preferred structures and best modes of the invention, it should be understood that the specific details are given for example to those skilled in the art. Changes in the specific structures described and shown may clearly be made without departing from the scope of the invention, and therefore it should be understood that the scope of the invention is not to be overly limited by the specification and drawings given for example, but is to be determined by the broadest possible and reasonable interpretation of the appended claims.

I claim:

1. A remote controller structure allowing a user to manipulate functions of an associated remotely positioned host device;

said remote controller including a housing, said housing having a battery socket allowing batteries to be inserted into said housing, said batteries to serve as an electrical power source for electronic circuitry within said housing;

a plurality of finger depressible buttons exposed on said housing and interfacing with sensors electrically associated with said circuitry for allowing a user selection of function-control signals communicated from said remote controller to said host device;

said circuitry including an emitter for communicating user selected function-control signals from said remote controller to the host device;

at least one of said sensors including a depressible dome shaped member and a compression-sensitive variable-conductance structure, the compression-sensitive variable-conductance structure capable of providing at least three readable states of varied electrical conductance, said states dependant upon compression levels applied to the compression-sensitive variable-conductance structure through depression of at least one of said finger depressible buttons against the dome shaped member;

means for reading said at least three readable states of said compression-sensitive variable-conductance structure and for forming distinct function-control signals for each of at least two states of said at least three readable states.

2. A remote controller structure according to claim 1 wherein,

said compression levels include:

- a) no compression applied by the user,
- b) low compression applied by the user, and
- c) high compression applied by the user wherein said high compression is greater than said low compression; and

said communicating of user selected function-control signals from said remote controller to the host device includes said emitter and a receiver on said host device.

3. A remote controller structure according to claim 2 wherein said distinct function-control signals for each of at least two states of said at least three readable states are

scroll control signals each with a rate of scroll aspect different one from the other, the scroll control signals

US 6,400,303 B2

25

with scroll rate aspects are associated with available television channels, and said host device is at least associated with a television.

4. A remote controller structure according to claim 2 wherein said distinct function-control signals for each of at least two states of said at least three readable states are control signals for variable channel change rate.

5. A hand-holdable remote controller operatively associated with an electronic remote device positioned remotely of said remote controller, said remote controller including improvements comprising:

at least one finger depressible button interfacing with a sensor electrically associated with electronic circuitry allowing a user selection of function-control signals communicated to said remote device;

said sensor including a depressible dome member and a pressure-sensitive variable-conductance structural arrangement capable of providing at least three readable states of varied conductance, at least two of said states dependant upon depressive pressure levels applied to the pressure-sensitive variable-conductance structural arrangement through depression of said finger depressible button;

said electronic circuitry including means for differentiating between said at least three readable states of said pressure-sensitive variable-conductance structural arrangement and for communicating to said remote device distinct function-control signals for each of said at least two of said states.

6. A hand-holdable remote controller operatively associated with an electronic remote device positioned remotely of said remote controller according to claim 5 wherein, said at least two of said states correlate to A) low pressure applied as a pressure by the user to said button and associated with a first of said two states, and B) high pressure applied as a pressure higher than said low pressure to said button, said high pressure associated with a second of said two states.

7. A hand-holdable remote controller operatively associated with an electronic remote device positioned remotely of said remote controller according to claim 6 wherein said distinct function-control signals for each of said at least two of said states are

scroll function-control signals with rate of scroll aspects.

8. A hand-holdable remote controller operatively associated with an electronic remote device positioned remotely of said remote controller according to claim 7 wherein said electronic remote device is at least associated with a television, and said scroll function-control signals are associated with available channels selectable with a tuner.

9. A hand-holdable remote controller operatively associated with an electronic remote device positioned remotely of said remote controller according to claim 6 wherein said distinct function-control signals for each of said at least two of said states are

video play function-control signals with rate of video play aspects; and

said electronic remote device is at least associated with recorded video playing.

10. A hand-holdable remote controller operatively associated with an electronic remote device positioned remotely of said remote controller according to claim 6 wherein said distinct function-control signals for each of said at least two of said states are

audio play function-control signals; and said electronic remote device is at least associated with a audio playback capable device.

26

11. A controller for controlling a host device, said controller comprising: a housing, electronic circuitry within said housing, a plurality of finger depressible buttons exposed on said housing and interfacing with sensors electrically associated with said circuitry for allowing user selection of function-control signals output from said controller to the host device;

at least one of said sensors structured as an analog pressure-sensitive sensor;

said circuitry -including means for reading at least three readable values of said analog pressure-sensitive sensor;

said host device enabling display of recorded video controlled by said controller allowing variable video speed dependant upon the degree of depressive pressure applied to said analog pressure-sensitive sensor.

12. A controller for controlling a host device according to claim 11 including

at least three of said sensors structured as analog pressure-sensitive sensors; of the plurality of finger depressible buttons:

a reverse video speed control button associated with a first of said analog pressure-sensitive sensors,

a forward video speed control button associated with a second of said analog pressure-sensitive sensors,

a fast forward video speed control button associated with a third of said analog pressure-sensitive sensors.

13. A controller for controlling a host device according to claim 12 wherein at least one of the video speed control buttons is a dual role sensor.

14. An improved method of controlling at least one function-control of a host device using a hand-held remote controller operatively associated with a wireless communication link to said host device,

wherein the improvement comprises:

depressing, by the user, a depressible surface associated with an analog pressure sensor with a first level of user selectable pressure of a plurality of user selectable pressure levels, said depressing of said depressible surface activating a first change rate function-control signal of a plurality of activatable change rate function-control signals associated with said depressible surface to be sent from said remote controller to said host device;

and then,

depressing, by the user, said depressible surface with a second level of user selectable pressure different than said first level of pressure and causing activation of a second change rate function-control signal associated with said depressible surface to be sent from said remote controller to said host device, whereby the user selects and activates change rate function-control signals associated with said depressible surface by way of selecting the selectable pressure applied to said depressible surface.

15. An improved method according to claim 14 wherein said change rate function-control signals are utilized as scroll rate function-control signals associated with available selectable television channels.

16. An improved method according to claim 14 wherein said change rate function-control signals are utilized as recorded video playback rate function-control signals.

17. An improved method according to claim 14 wherein said change rate function-control signals are utilized as audio playback rate function-control signals.

US 6,400,303 B2

27

18. A method of manufacturing an improved hand-held controller including the steps of:

- molding a housing;
- installing electronic circuitry;
- installing a plurality of finger depressible buttons with sensors electrically associated with said circuitry;
- installing a flexible dome-cap member as a component of at least one of said sensors;
- installing a pressure-sensitive variable-conductance structure under said flexible dome-cap member, said pressure-sensitive variable-conductance structure positioned to be activated by depression of one of the depressible buttons, said pressure-sensitive variable-conductance structure structured to provide at least three readable analog values, said values dependant upon depressive pressure levels applied to said one of the depressible buttons;
- said circuitry including means for reading an immediate value of said at least three readable analog values of said pressure-sensitive variable-conductance structure, and for outputting from said controller, data representative of the immediate value as a signal useful for effecting an associated television.

19. A method of manufacturing an improved hand-holdable remote controller according to claim 18 further including providing said flexible dome-cap member made of elastomeric material; and

- further wherein said flexible dome-cap member is structured to provide a user discernable tactile feedback upon depression of the associated button.

20. An improved hand-holdable remote controller for controlling a host device wherein said host device includes

28

a channel tuner, and said remote controller outputs at least two distinct function-control signals to said host device, said two distinct function-control signals are signals for causing a scrolling of available channels, said two distinct function-control signals are each different one from the other so that differing rates of scrolling are determined by said two distinct function-control signals, said two distinct function-control signals selectable by a human user by way of varying finger pressure on a finger depressible surface located on said remote controller, wherein the rate of scrolling of available channels can be varied by varied pressure applied to said depressible surface.

21. An improved hand-holdable remote controller for controlling a host device according to claim 20 further including

- an elastomeric dome member structured to provide the human user a discernable tactile feedback upon depression of said depressible surface.

22. An improved hand-holdable remote controller for controlling a host device according to claim 21 including a pressure-sensitive analog output sensor associated with said finger depressible surface, said analog output sensor capable of outputting at least three values differing one from the other and determinable by varying finger pressure against said finger repressible surface.

23. An improved hand-holdable remote controller for controlling a host device according to claim 22 including analog to digital converting means for converting at least two of said at least three values into digital values.

* * * * *