

# EXHIBIT L

Cont.

U.S. Patent

Jun. 14, 2005

Sheet 17 of 40

US 6,906,700 B1

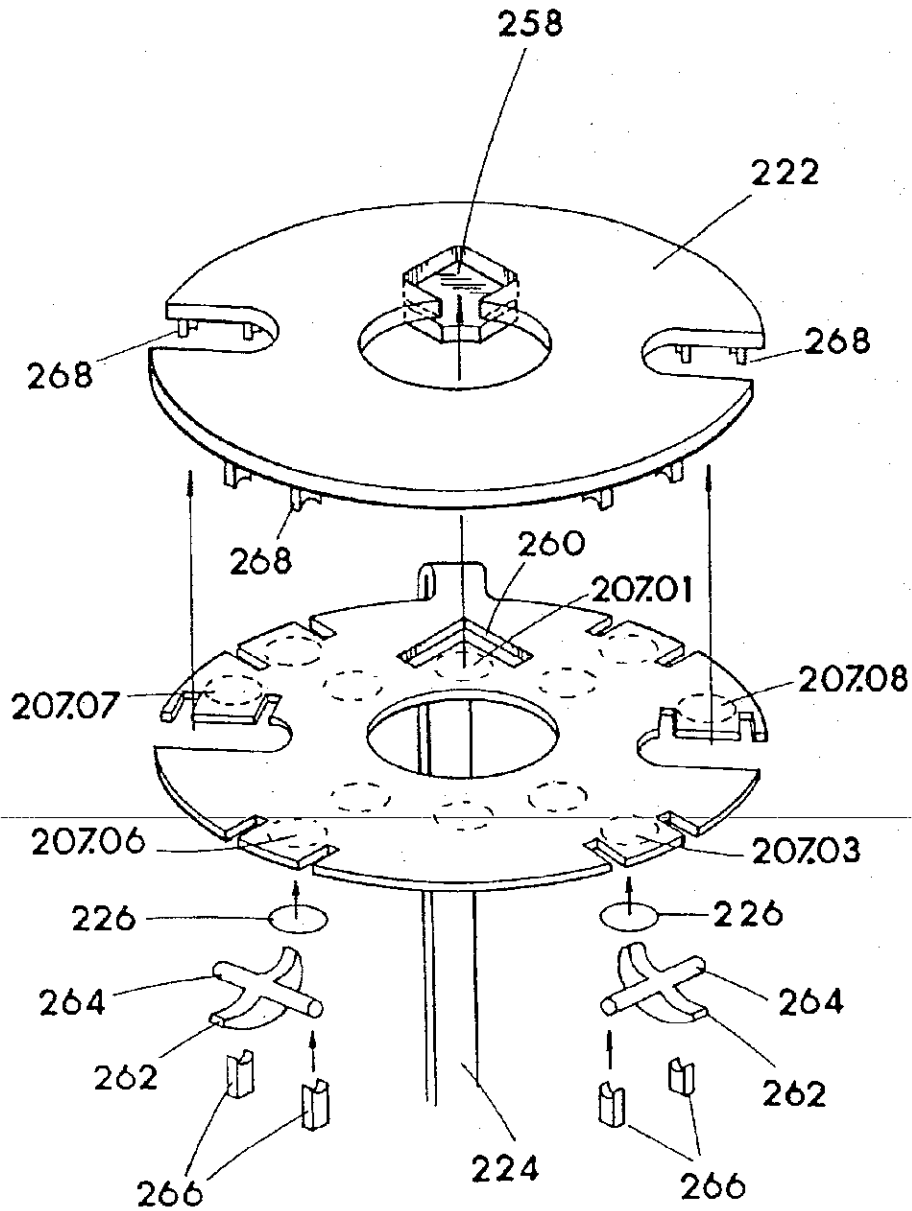


FIG. 17

U.S. Patent

Jun. 14, 2005

Sheet 18 of 40

US 6,906,700 B1

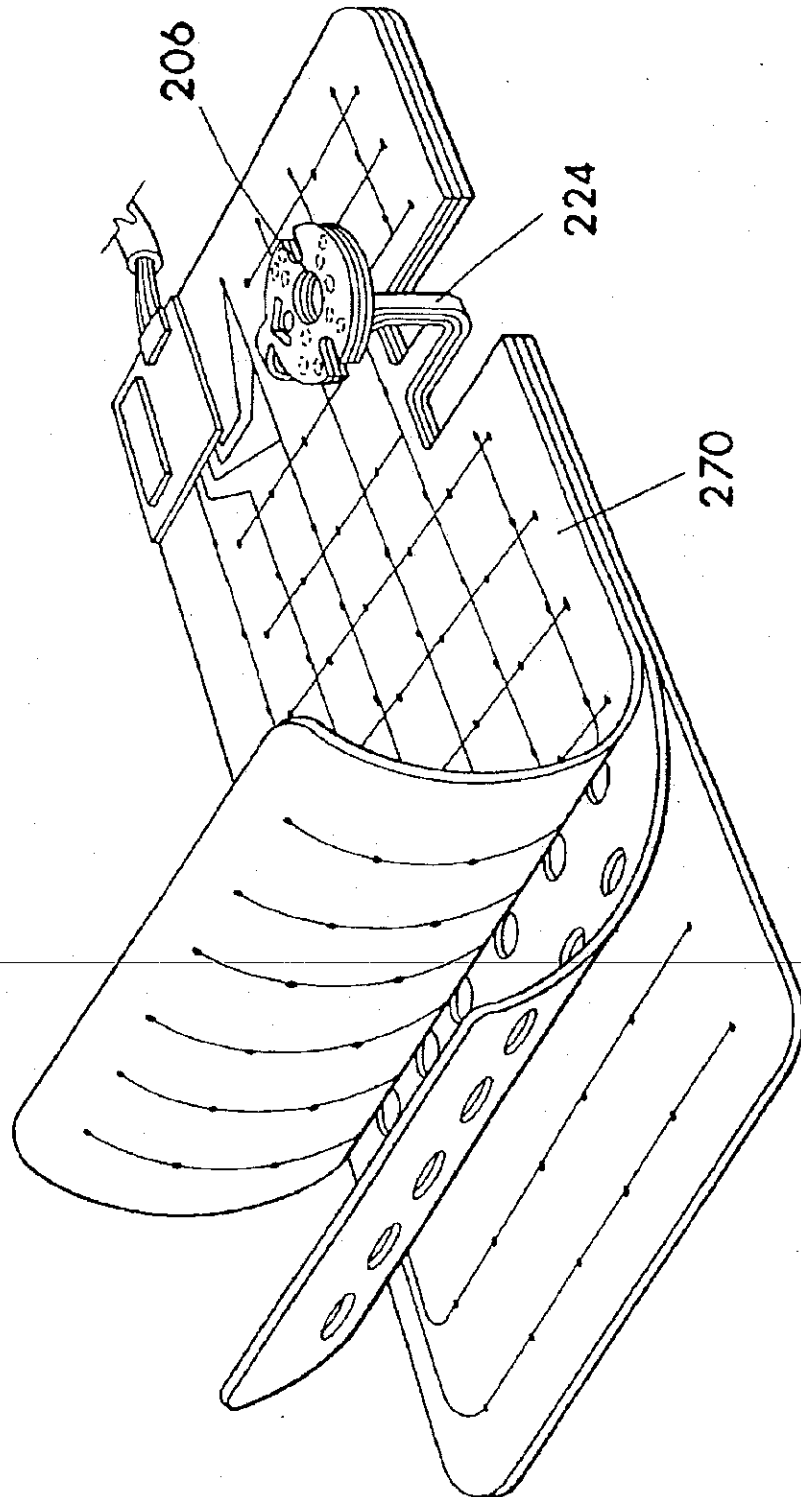


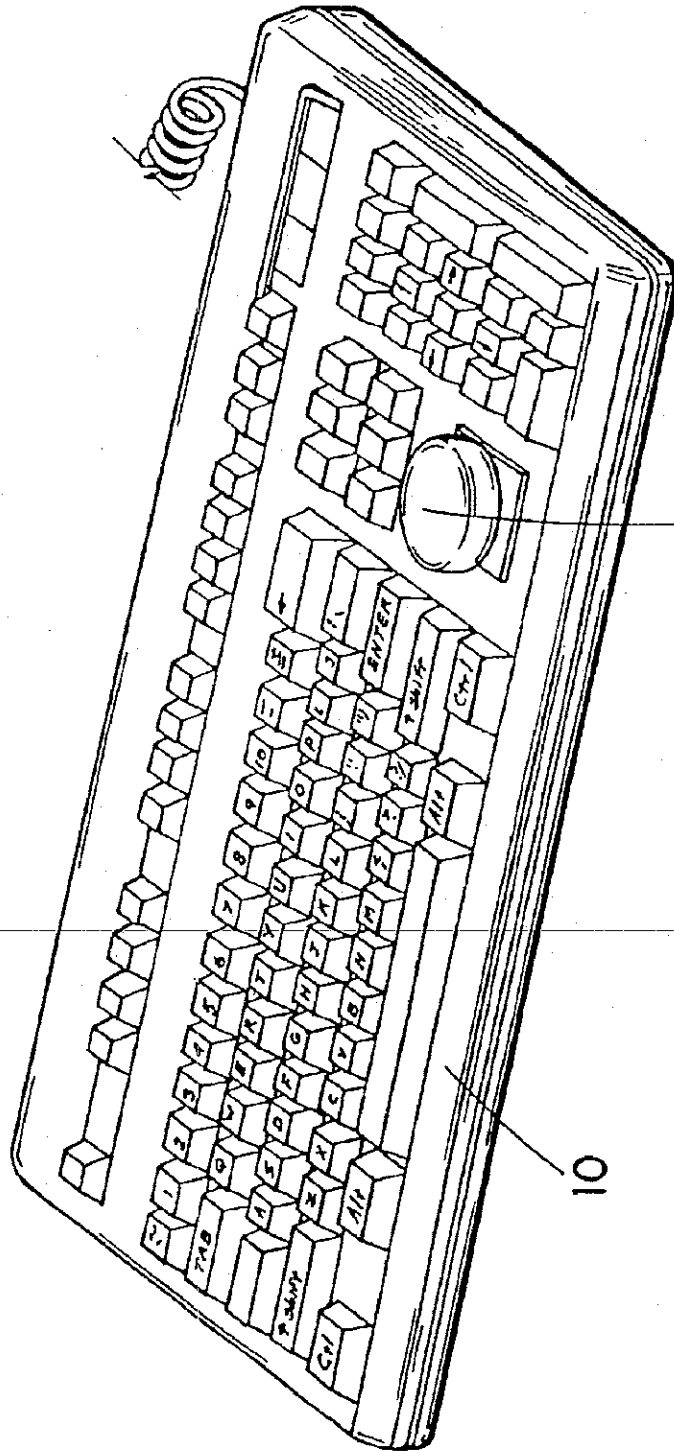
FIG. 18

U.S. Patent

Jun. 14, 2005

Sheet 19 of 40

US 6,906,700 B1



202

FIG. 19

10

U.S. Patent

Jun. 14, 2005

Sheet 20 of 40

US 6,906,700 B1

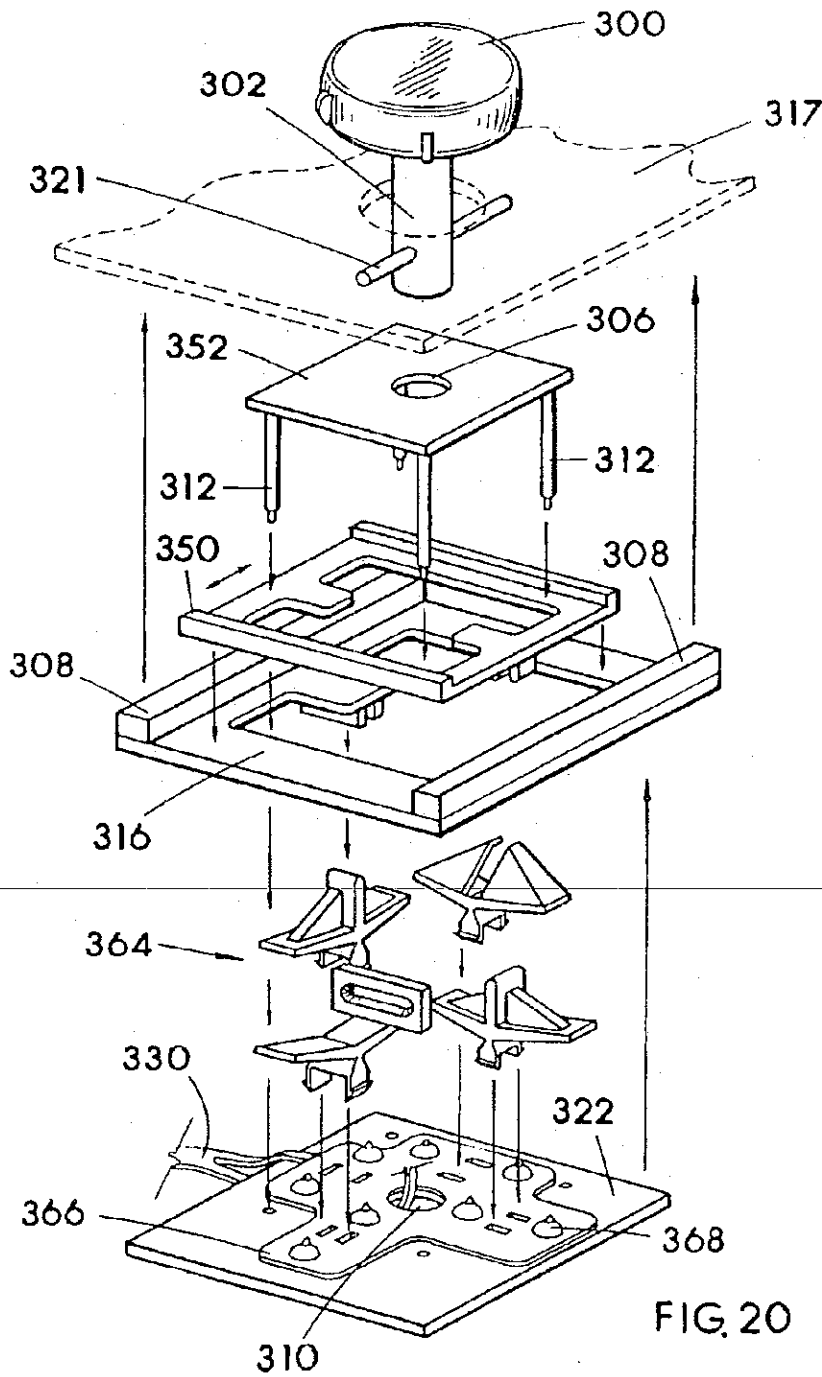


FIG. 20



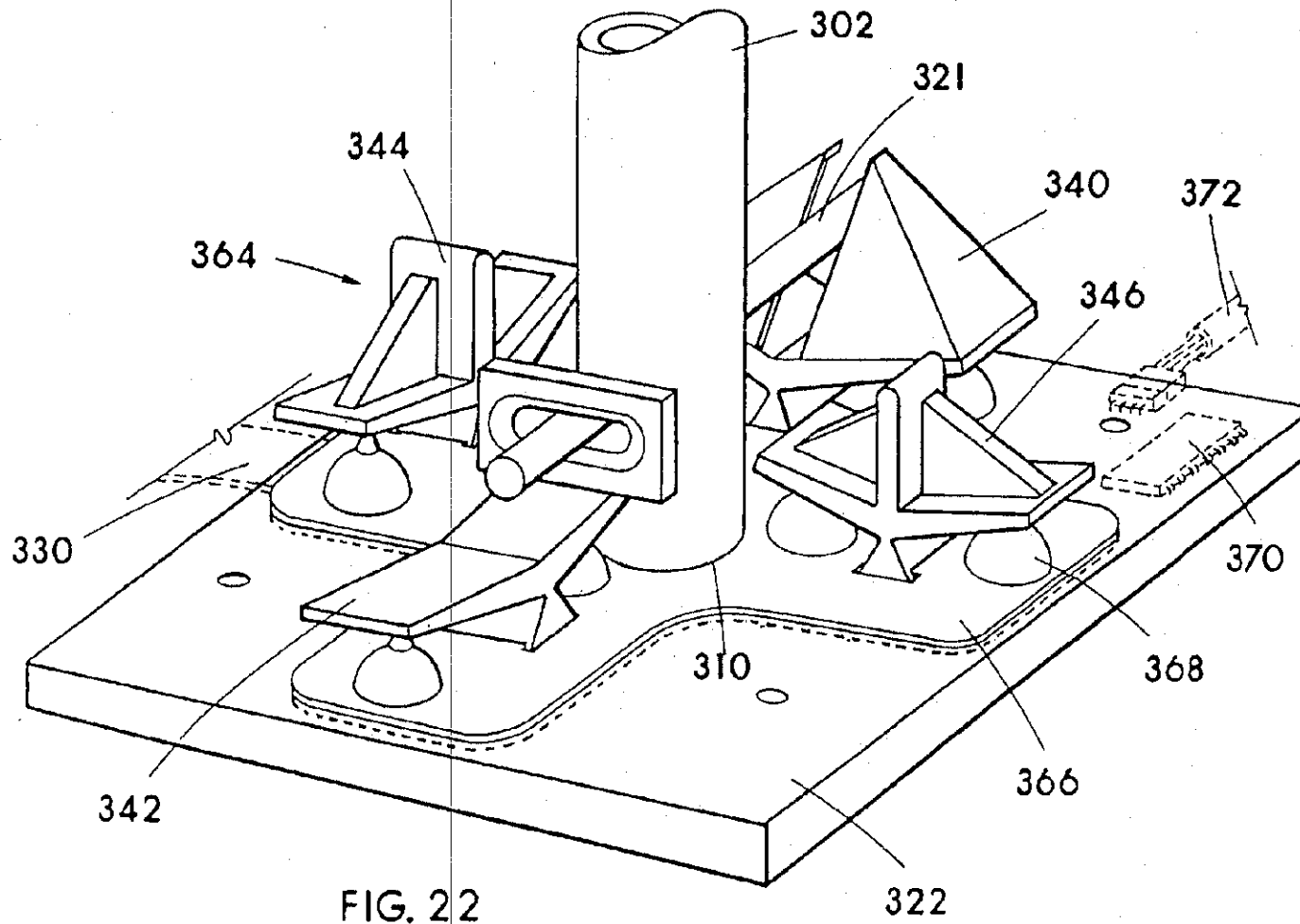


FIG. 22

U.S. Patent

Jun. 14, 2005

Sheet 23 of 40

US 6,906,700 B1

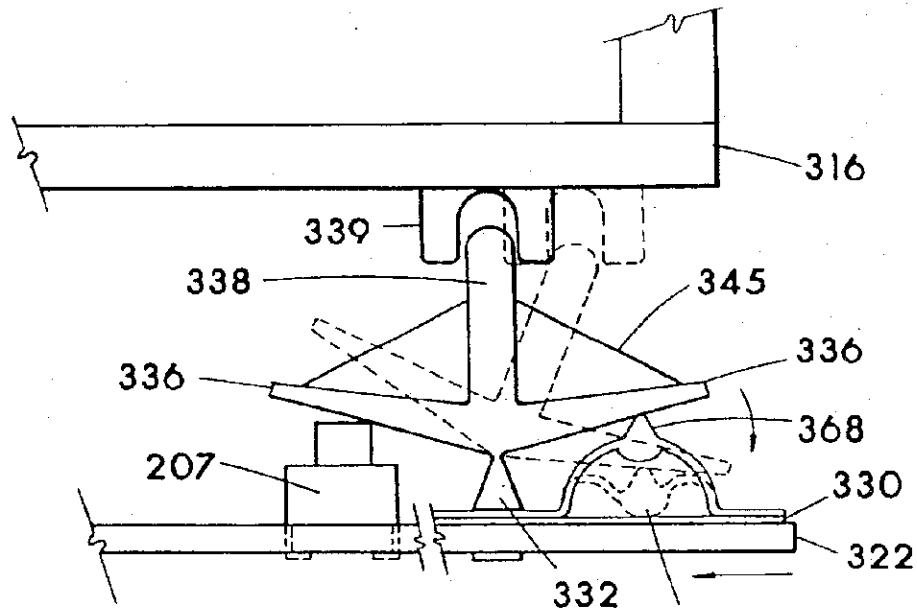


FIG. 23

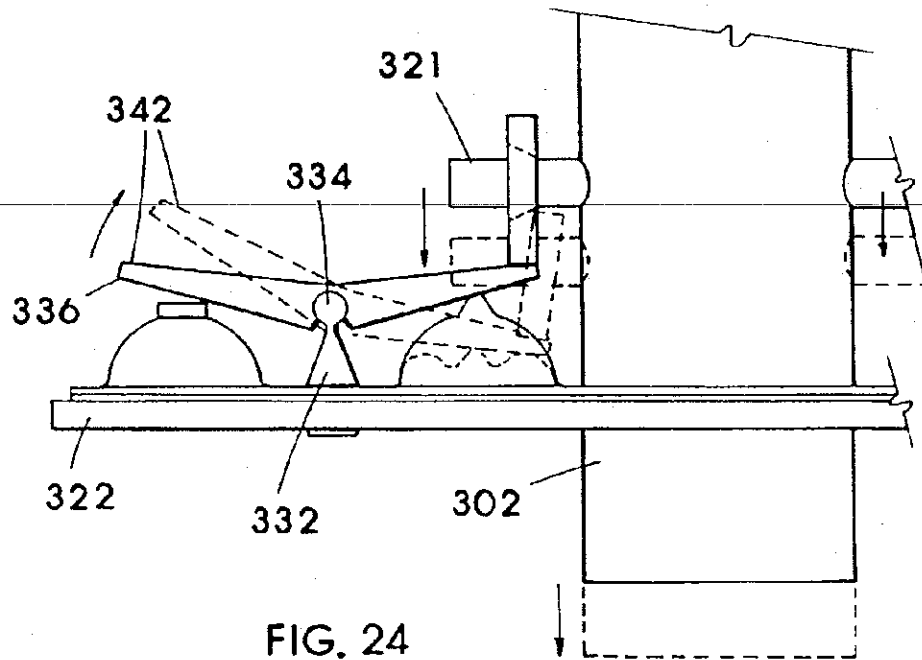


FIG. 24



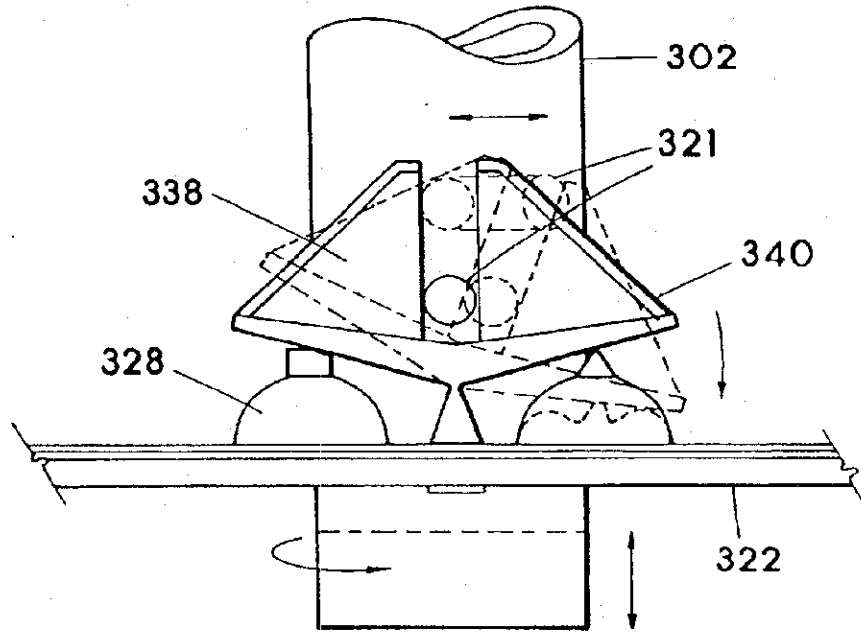


FIG. 25

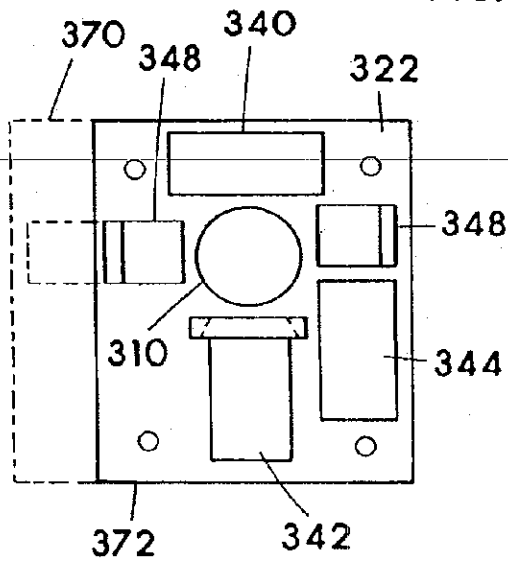


FIG. 26

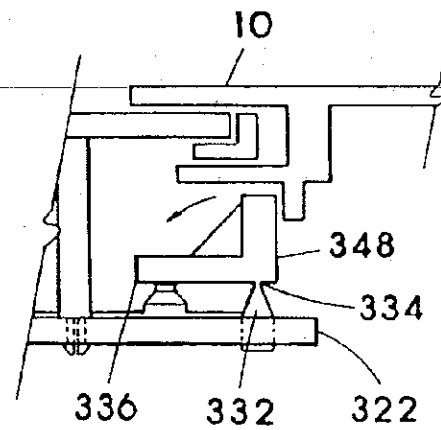


FIG. 27

U.S. Patent

Jun. 14, 2005

Sheet 25 of 40

US 6,906,700 B1

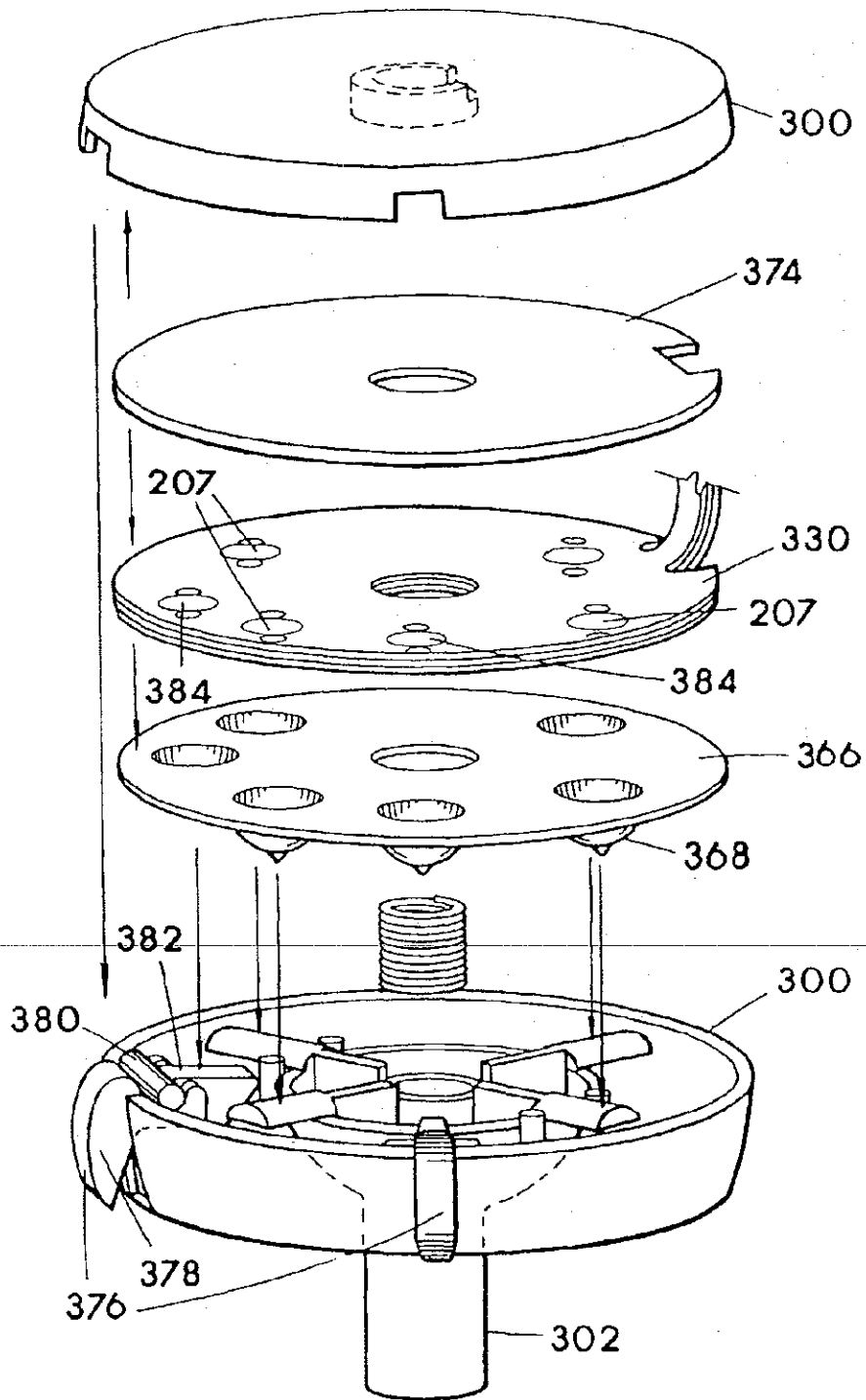


FIG. 28

U.S. Patent

Jun. 14, 2005

Sheet 26 of 40

US 6,906,700 B1

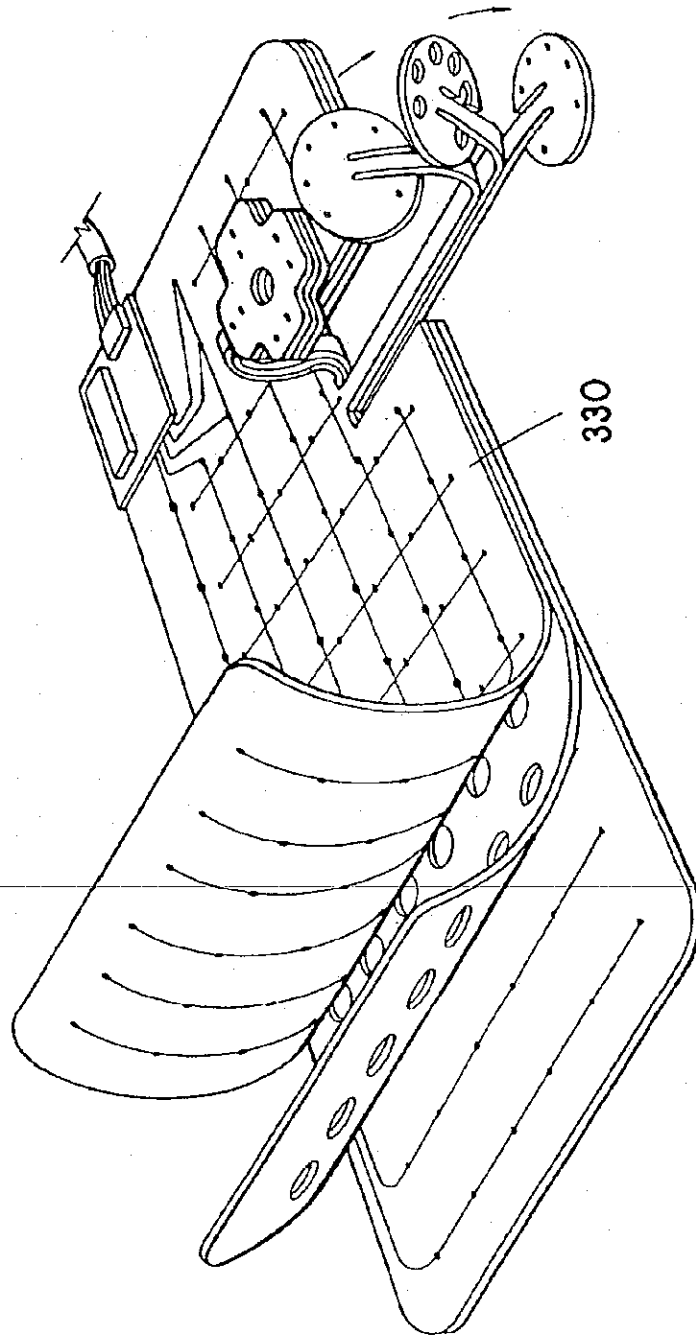


FIG. 29

U.S. Patent

Jun. 14, 2005

Sheet 27 of 40

US 6,906,700 B1

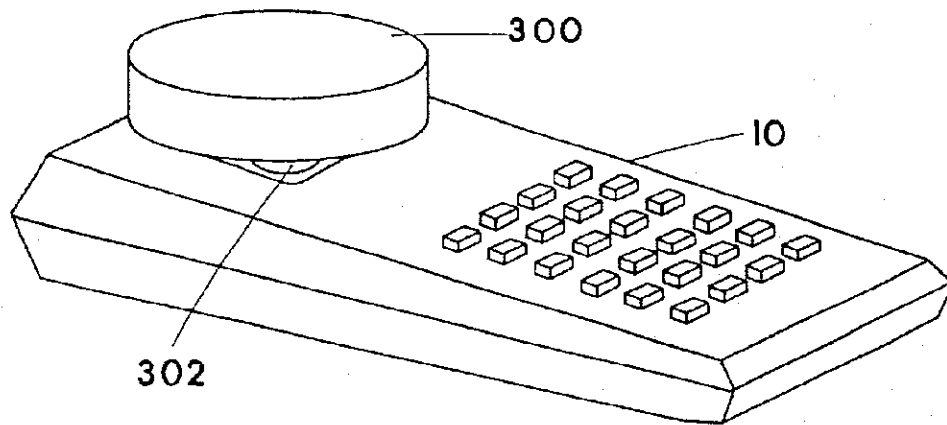


FIG. 30

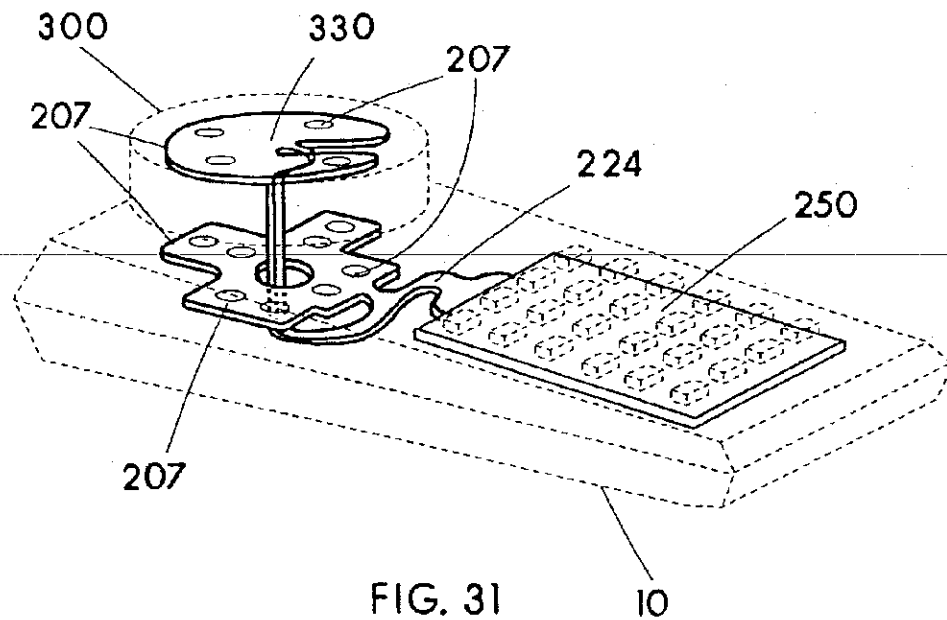


FIG. 31

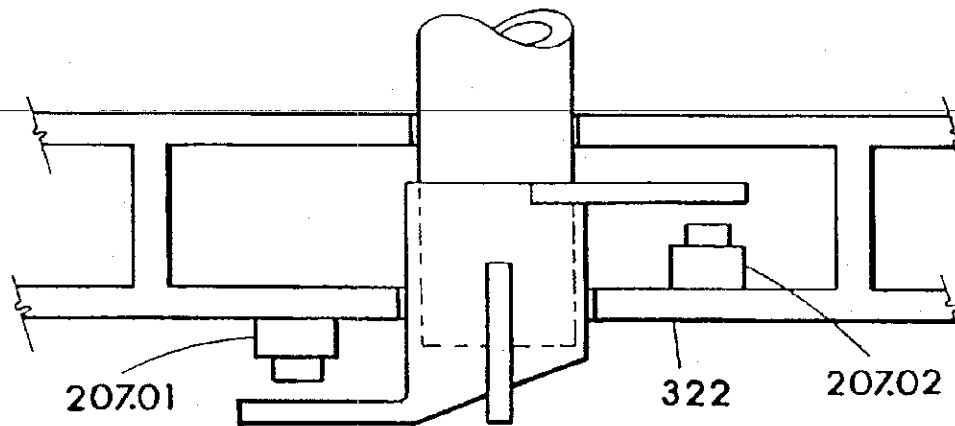
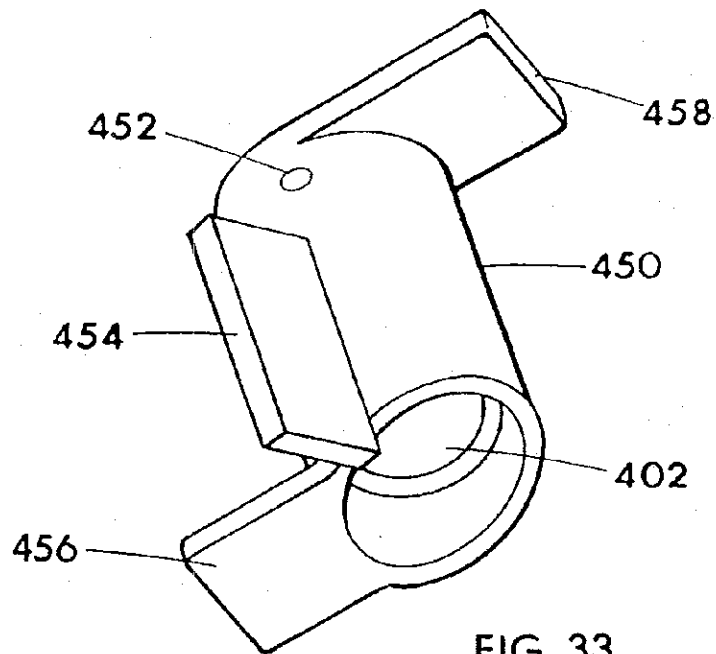


U.S. Patent

Jun. 14, 2005

Sheet 29 of 40

US 6,906,700 B1





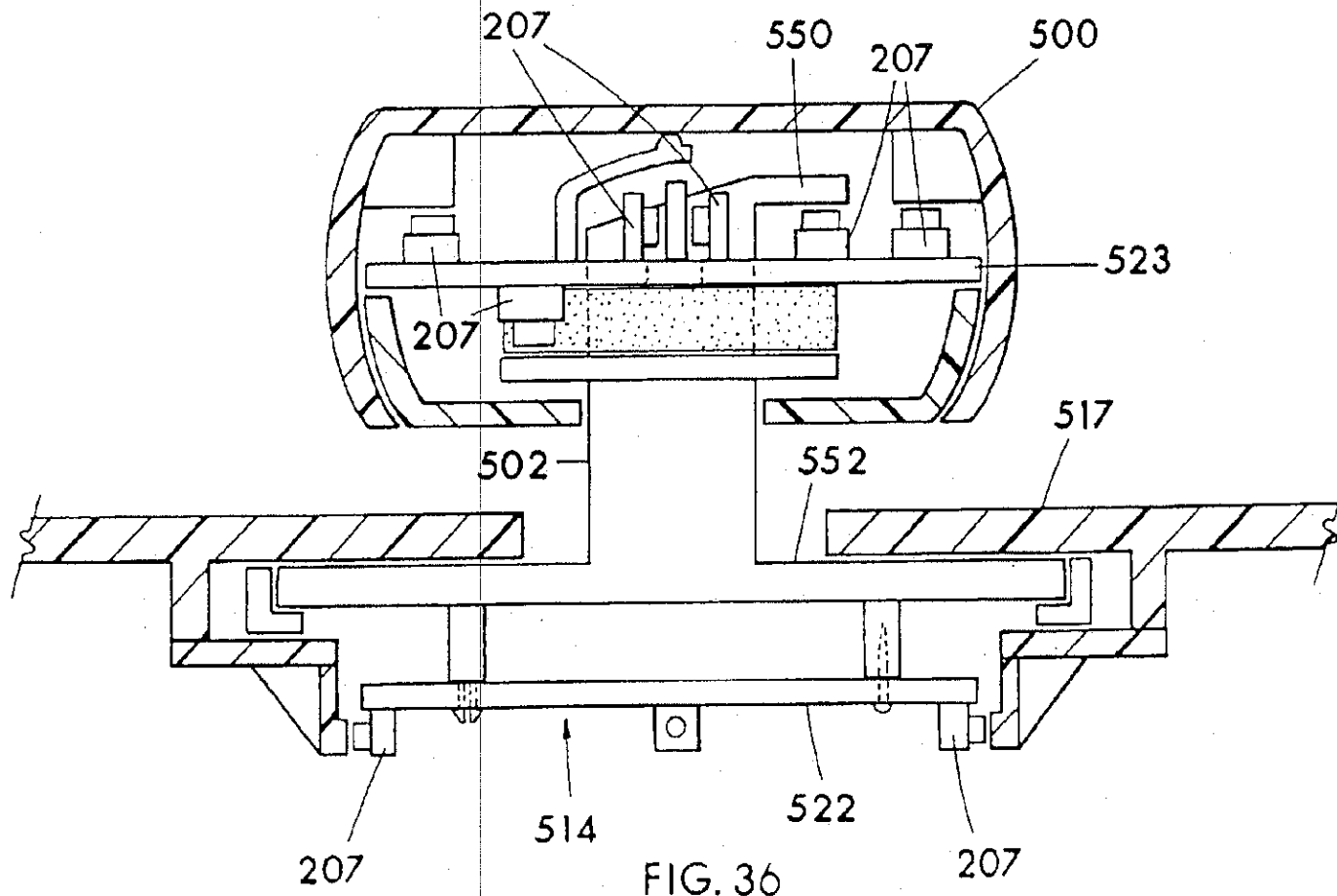


FIG. 36



U.S. Patent

Jun. 14, 2005

Sheet 32 of 40

US 6,906,700 B1

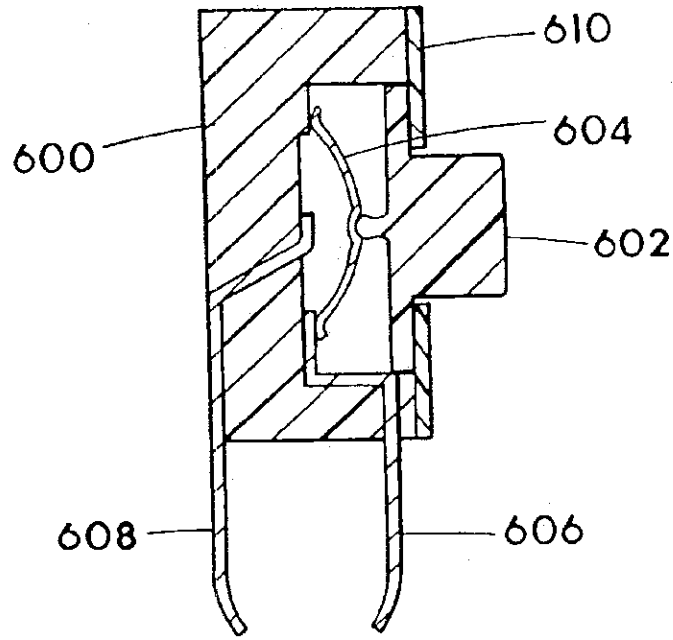


FIG. 37

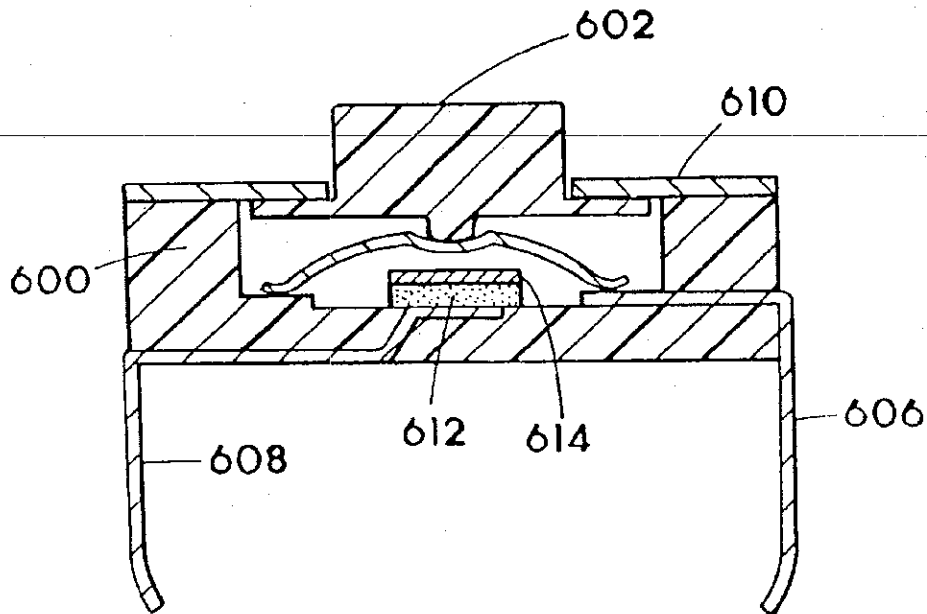


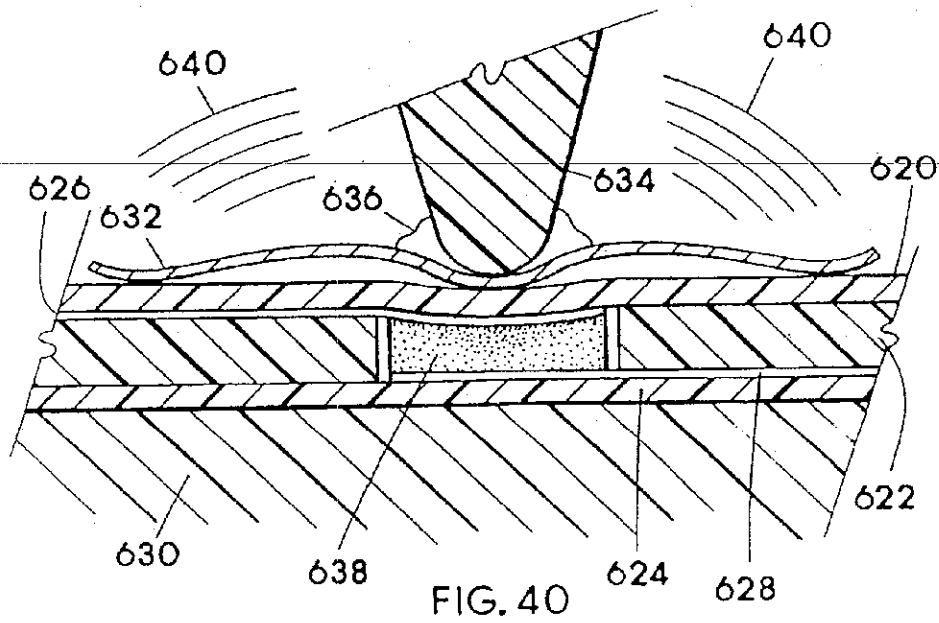
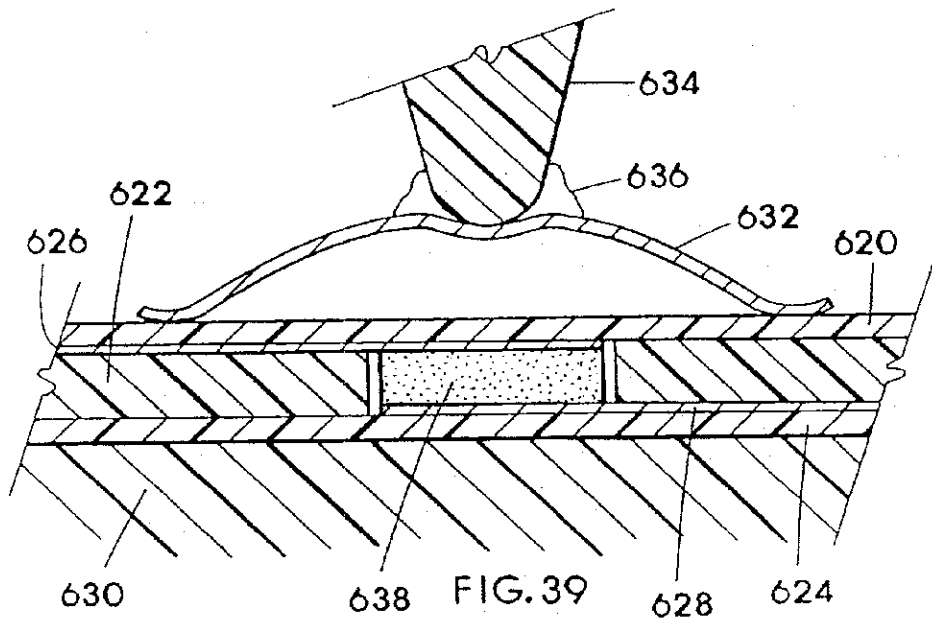
FIG. 38

U.S. Patent

Jun. 14, 2005

Sheet 33 of 40

US 6,906,700 B1



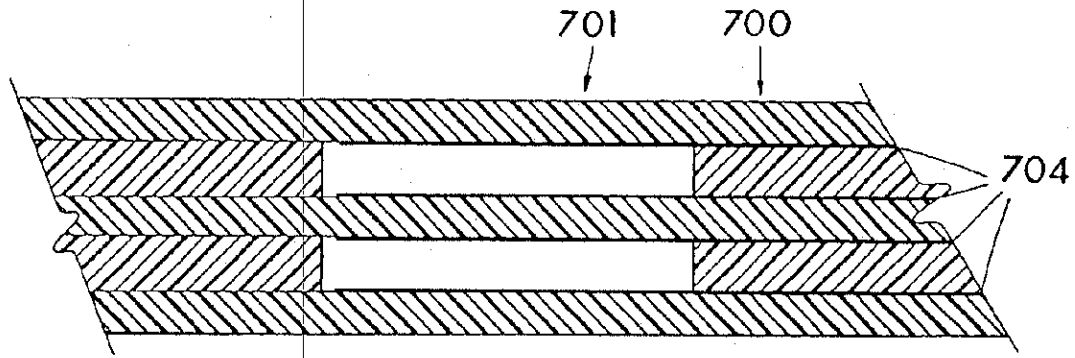


FIG. 41

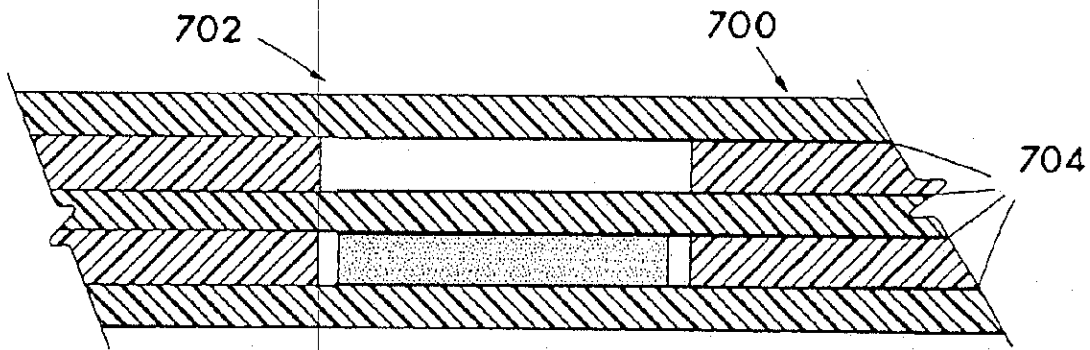


FIG. 42

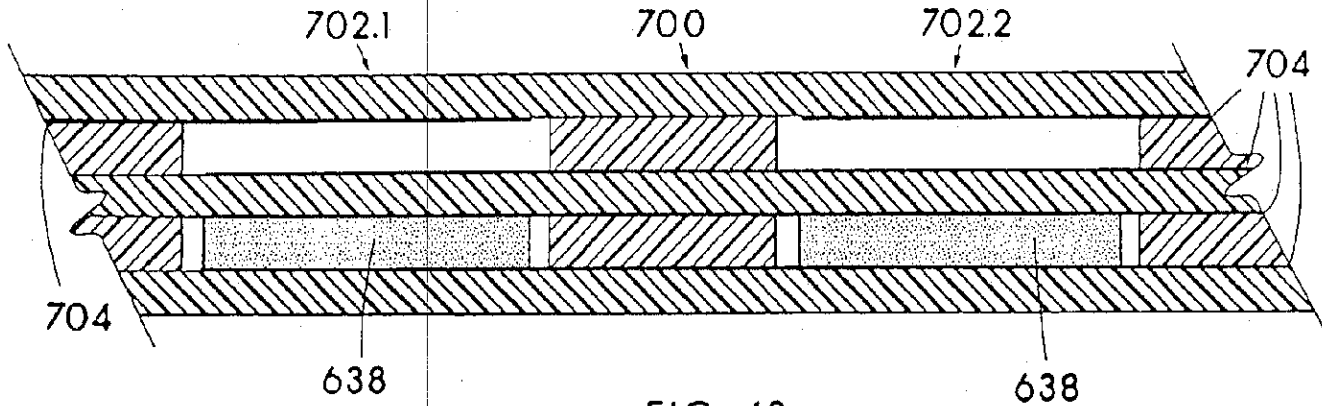


FIG. 43

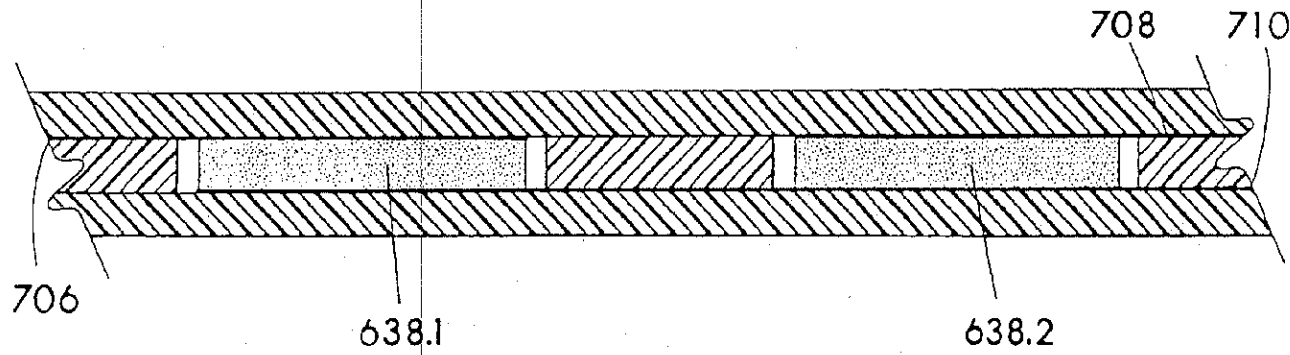


FIG. 44