

EXHIBIT 16

PATENT

Attorney Docket No. 076376.0412

IN THE UNITED STATES PATENT AND TRADEMARK OFFICE

In re Patent Application of:)		
)		
Toyonori SASAKI <u>et al.</u>)	Examiner	To Be Assigned
)		
Application No.: To Be Assigned)	Group Art Unit	To Be Assigned
)		
Filed: September 29, 2006)	Confirmation No.	To Be Assigned
)		
For: INK CARTRIDGES)		

PRE-EXAMINATION SEARCH DOCUMENT

Commissioner for Patents
U.S. Patent and Trademark Office
Customer Service Window
Randolph Building
401 Dulany Street
Alexandria, VA 22314

Sir:

This Pre-Examination Search Document is provided in support of the
Petition for Accelerated Examination filed herewith.

A pre-examination search was conducted involving U.S. patents and
patent application publications, foreign patent documents and non-patent literature as
indicated below. The results of the search are provided on an Information Disclosure
Statement filed concurrently herewith.

PATENT
Attorney Docket No. 076376.0412

A. Pre-examination Search

1. US Field of Search:

Classes/Subclasses Searched:

73/305, 307, 309, 317, 319, 322.5;

116/227, 228, 229;

250/573, 575;

340/603, 612, 618, 623, 625;

347/19, 85, 86, 108

401/192, 194;

Date Conducted: June 26, 2006 – July 11, 2006

2. Foreign Field of Search:

IPCs Searched:

B29C041/00;

B41J002/175;

B41J002/195;

B41J024/34;

B41J029/13;

B41J029/393;

B41J032/00;

B43L025/00;

Date Conducted: August 24, 2006 – September 13, 2006

PATENT
Attorney Docket No. 076376.0412

3. Database Searches:

a. Database Service: USPTO EAST

Files Searched:

US Patent Document Databases: US-PGPUB, USPAT

Foreign Patent Document Databases: EPO, JPO, DERWENT

Search Logic:

- L1 (ink and (cartridge or housing or casing or tank or enclosure or cover\$3))
- L2 ((ink and (cartridge or housing or casing or tank or enclosure or cover\$3))
and (level\$3 or indicat\$4 or remain\$4 or residual or detect\$4))
- L3 ((ink and (cartridge or housing or casing or tank or enclosure or cover\$3))
and (translucent or transparent or clear))
- L4 ((ink and (cartridge or housing or casing or tank or enclosure or cover\$3))
and (mold\$3))
- L5 ((ink and (cartridge or housing or casing or tank or enclosure or cover\$3))
and (air adj (inlet or outlet or supply)))
- L6 (ink and (cartridge or housing or casing or tank or enclosure or cover\$3))
and (float\$3 or buoy\$4))
- L7 (ink and (cartridge or housing or casing or tank or enclosure or cover\$3))
and (communicat\$4 or path or perpendicular or chamber\$2))
- L8 (ink and (cartridge or housing or casing or tank or enclosure or cover\$3))
and (film or thick\$5))
- L8 (ink and (cartridge or housing or casing or tank or enclosure or cover\$3))
and (groov\$4 or recess or concave\$3 slot\$3))

PATENT

Attorney Docket No. 076376.0412

L9 (ink and (cartridge or housing or casing or tank or enclosure or cover\$3))
and (stub\$3 or protru\$5 or ridge or rough\$4 or bend\$3 or bent or rib\$4)

Date Conducted: June 26, 2006 – September 13, 2006

b. Database Services: JPO NCIPI

Files Searched:

Foreign Patent Document Databases: JPO

Japanese Domestic Classification F-Terms Searched:

2C056(KC01, KC04, KC05, KC06, KC07, KC09, KC13, KC15, KC16,
KC17, KC18, KC20, KC21, KC22, KC23, KC25, KC27, KC30);
2C056(KD01, KD02, KD03, KD04, KD06, KD08 and KD10);

Date Conducted: August 24, 2006 – September 13, 2006

c. Database Services: Korean Patent Office (KIPO) Kipris

Files Searched

Foreign Patent Document Database: KIPO

Search Logic:

L1 (ink * (cartridge + housing + casing + tank + enclosure + cover or
covering))

L2 (ink * (cartridge + housing + casing + tank + enclosure + cover)) * (mold
+ molded)

L3 (ink * (cartridge + housing + casing + tank + enclosure + cover)) *
(chamber + translucent + transparent + clear)

L4 (ink * (cartridge + housing + casing + tank + enclosure + cover)) *
(air*inlet)

PATENT

Attorney Docket No. 076376.0412

L5 (ink * (cartridge + housing + casing + tank + enclosure + cover)) *
(indicating + indicator + indication + level + remain + remaining +
residual)

Date Conducted: August 24, 2006 – September 13, 2006

d. Database Service: Dialog

Files Searched:

Inspec, NTIS, Ei Compindex, Gale Group PROMT, Weldasearch, Dissertation
Abstracts Online, Inside Conferences, JICST-Eplus, FLUIDEX, Wilson Applied
Science & Technology Abstracts, PASCAL, PIRA, Wilson Business Abstracts,
Asia-Pacific Directory

Search Logic:

L1 (ink (3n) (cartridge or case or casing or tank or housing or enclosure or
cover)

Date Conducted: August 24, 2006 – September 13, 2006.

e. Database Service: Google

File Searched:

Google Scholar (Non Patent Literature)

Search Logic:

L1 ink (cartridge OR casing OR case OR tank OR housing OR cover OR
enclosure) (transparent OR translucent);

L2 ink (cartridge OR casing OR case OR tank OR housing OR cover OR
enclosure) (residual OR level OR indicating);

Date Conducted: August 24, 2006 – September 13, 2006

PATENT

Attorney Docket No. 076376.0412

f. Database Services : SCIRUS

File Searched:

Journal Sources, Websites (Non Patent Literature)

Search Logic :

- L1 ink cartridge translucent;
- L2 ink cartridge mold;
- L3 ink cartridge residual;
- L4 ink cartridge level indication;
- L5 ink cartridge level monitoring;

Conducted: August 24, 2006 – September 13, 2006

g. Database Services: GWU ALADIN

File Searched:

Academic Search Premier

Search Logic:

- L1 ink cartridge molding;
- L2 ink cartridge level;
- L3 ink cartridge residual;
- L4 ink cartridge monitoring;

Conducted: August 24, 2006 – September 13, 2006

B. Search Directed to the Invention

The pre-examination search was directed to the claimed invention, encompassing all the features of the claims and giving the claims their broadest reasonable interpretation.

PATENT
Attorney Docket No. 076376.0412

C. Search Directed to the Disclosure

No disclosed features that are unclaimed at this time are currently seen as features that may be claimed later.

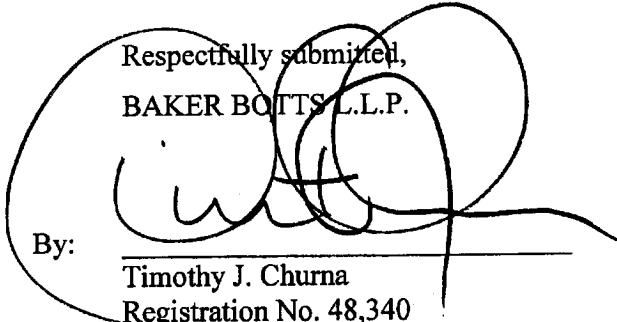
D. Search Report from a Foreign Patent Office

No search report from a foreign patent office is provided here as the pre-examination search.

E. Statement of Good Faith

All statements above in support of the petition to make special are based on a good faith belief that the search was conducted in compliance with the requirements of this rule.

Dated: September 29, 2006

Respectfully submitted,
BAKER BOTTS L.L.P.

By: _____
Timothy J. Churna
Registration No. 48,340

Baker Botts L.L.P.
The Warner; Suite 1300
1299 Pennsylvania Avenue, N.W.
Washington, D.C. 20004-2400
(202) 639-7700 (telephone)
(202) 639-7890 (facsimile)

JBA/TJC/tt

PATENT

Attorney Docket No. 076376.0412

IN THE UNITED STATES PATENT AND TRADEMARK OFFICE

In re Patent Application of:)		
)		
Toyonori SASAKI <u>et al.</u>)	Examiner	To Be Assigned
)		
Application No.: To Be Assigned)	Group Art Unit	To Be Assigned
)		
Filed: September 29, 2006)	Confirmation No.	To Be Assigned
)		
For: INK CARTRIDGES)		

ACCELERATED EXAMINATION SUPPORT DOCUMENT

Commissioner for Patents
U.S. Patent and Trademark Office
Customer Service Window
Randolph Building
401 Dulany Street
Alexandria, VA 22314

Sir:

This accelerated examination support document is provided in support of the petition for accelerated examination filed herewith.

Identification of the Limitations of the Claims Disclosed by the Cited References begins on page 2 of this paper.

Detailed Explanation of Patentability begins on Page 14 of this paper.

Statement of Utility begins on Page 15 of this paper.

Showing of Support of Each Claim Limitation begins on page 16 of this paper.

Conclusion begins on page 20 of this paper.

Identification of the Limitations of the Claims Disclosed by the Cited References:

1. Japanese Patent Publication No. JP-2004-34406

a. Independent Claim 1

Japanese Patent Publication No. JP-2004-34406 ("JP '406") describes an ink cartridge 4, e.g., ink cartridges 4k, 4c, 4m, 4y of Figure 1, including an ink chamber (not numbered, but shown in Figure 3). The ink chamber includes a first wall (not numbered, but shown in Figure 3) and a second wall parallel with and opposite to the first wall. Each of the first wall and the second wall have a first end and a second end opposite the first end, and at least a portion of the first wall is translucent. Ink cartridge 4 also includes an ink supply portion (not numbered, but shown in Figure 3) positioned at the second wall, which has an opening formed therethrough. Moreover, ink cartridge 4 includes a pivotable float 12 which is disposed within the ink chamber and is configured to deflect light. Float 4 is configured to move between a first position and a second position based at least on an amount of ink disposed within the ink chamber, and the position of float 12 may be detected by an optical detecting means 20. Specifically, as the ink within the ink chamber is dispensed from the interior of the ink chamber to the exterior of the ink chamber, a surface of the ink within the ink chamber moves in a first direction, and float 4 pivots and moves in a second direction which is slanted with respect to the first direction.

Independent claim 1 is not anticipated by JP '406 at least because JP '406 does not disclose (a) that the ink supply portion and the translucent portion are positioned at the same wall; (b) that the translucent portion has an inner space formed therein; or (3)

PATENT

Attorney Docket No. 076376.0412

that a signal blocking portion of a movable member is disposed within the inner space of the translucent portion.

b. Dependent Claim 2

JP '406 describes a communication path (not numbered, but shown in Figure 7) configured to dispense ink from an interior of the ink chamber to an exterior of the ink chamber via the opening formed through the ink supply portion, and float 4 is aligned with a center line of the communication path when float 4 is in the second position.

c. Dependent Claim 3

Dependent claim 3 is not anticipated by JP '406 at least because JP '406 does not disclose at least one guide, or that the float portion slides along the at least one guide when the float portion moves from the first position to the second position.

d. Dependent Claim 4

Dependent claim 4 is not anticipated by JP '406 at least because JP '406 does not disclose that the float portion includes at least one protrusion, or that such protrusion slidably engages the at least one guide.

e. Dependent Claim 5

Dependent claim 5 is not anticipated by JP '406 at least because JP '406 does not disclose that the at least one protrusion extends parallel to the at least one guide.

f. Dependent Claim 6

Dependent claim 6 is not anticipated by JP '406 at least because JP '406 does not disclose that the float portion includes a plurality of protrusions, or that such protrusions slidably engage the at least one guide.

PATENT

Attorney Docket No. 076376.0412

g. Dependent Claim 7

Dependent claim 7 is not anticipated by JP '406 at least because JP '406 does not disclose that the protrusions extend parallel to the at least one guide.

h. Dependent Claim 9

JP '406 describes a communication path (not numbered, but shown in Figure 9) configured to dispense ink from an interior of the ink chamber to an exterior of the ink chamber via the opening formed through the ink supply portion, and a distance between float 12 and the communication path in a direction along a center line of the communication path becomes shorter as the ink within the ink chamber is dispensed from the interior of the ink chamber.

Dependent claim 9 is not anticipated by JP '406 at least because JP '406 does not disclose that a first distance between the float portion and the communication path in a third direction along a center line of the communication path when the float portion is in the second position is greater than a second distance between the float portion and the communication path in the third direction when the float is in the first position.

In view of the foregoing remarks, claims 1, 3-7, and 9 are not anticipated by JP '406 because JP '406 does not disclose each and every limitation of these claims, and claim 2 and 8 are not anticipated by JP '406 because claims 2 and 8 depend from independent claim 1.

2. Japanese Patent Publication No. JP-8281966

a. Independent Claim 1

Japanese Patent Publication No. JP-8281966 ("JP '966") describes an ink cartridge 21 (Figures 2 and 3) including a first wall (not numbered, but shown in Figure

PATENT

Attorney Docket No. 076376.0412

2), a second wall (not numbered, but shown in Figures 2 and 3) which is perpendicular to the first wall and is connected to the first wall, and an ink supply portion 29 (Figure 2) which extends from an end of the first wall of ink cartridge 21. Ink cartridge 21 also includes a translucent portion 31 (Figures 2 and 3) which extends from an end of the second wall of ink cartridge 21. Translucent portion 31 has an inner space defined therein, and ink cartridge 22 includes an ink chamber 24-25 (Figure 2). Ink cartridge 21 also includes a movable member (not numbered, but shown in Figures 2 and 3) including a float 34 and a light blocking portion 33, and the movable member is configured to selectively be positioned within and outside the inner space of translucent portion 31 based on the amount of ink within ink chamber 24-25. Moreover, as ink is dispensed from ink chamber 24-25, the ink within ink chamber 24-25 and the movable member move in the same direction.

Independent claim 1 is not anticipated by JP '966 at least because JP '966 does not disclose (a) that the ink supply portion and the translucent portion are positioned at the same wall; or (b) that the movable member moves in a direction which is slanted with respect to the direction of movement of the ink within the ink chamber.

b. Dependent Claim 2

JP '966 describes a communication path (not numbered, but shown in Figure 2) which is coupled to ink supply portion 29 and is configured to dispense ink from an interior of ink chamber 24-25 to an exterior of ink chamber 24-25 via ink supply portion 29.

PATENT

Attorney Docket No. 076376.0412

c. Dependent Claim 3

Dependent claim 3 is not anticipated by JP '966 at least because JP '966 does not disclose at least one guide, or that the float portion slides along the at least one guide when the float portion moves from the first position to the second position.

d. Dependent Claim 4

Dependent claim 4 is not anticipated by JP '966 at least because JP '966 does not disclose that the float portion includes at least one protrusion, or that such protrusion slidably engages the at least one guide.

e. Dependent Claim 5

Dependent claim 5 is not anticipated by JP '966 at least because JP '966 does not disclose that the at least one protrusion extends parallel to the at least one guide.

f. Dependent Claim 6

Dependent claim 6 is not anticipated by JP '966 at least because JP '966 does not disclose that the float portion includes a plurality of protrusions, or that such protrusions slidably engage the at least one guide.

g. Dependent Claim 7

Dependent claim 7 is not anticipated by JP '966 at least because JP '966 does not disclose that the protrusions extend parallel to the at least one guide.

h. Dependent Claim 9

JP '966 describes a communication path (not numbered, but shown in Figure 2) which is coupled to ink supply portion 29 and is configured to dispense ink from an interior of ink chamber 24-25 to an exterior of ink chamber 24-25 via ink supply portion 29, and a distance between float 34 and the communication path in a direction

PATENT

Attorney Docket No. 076376.0412

along a center line of the communication path is unchanged as the ink within ink chamber 24-25 is dispensed from the interior of ink chamber 24-25.

Dependent claim 9 is not anticipated by JP '966 at least because JP '966 does not disclose that a first distance between the float portion and the communication path in a third direction along a center line of the communication path when the float portion is in the second position is greater than a second distance between the float portion and the communication path in the third direction when the float is in the first position.

In view of the foregoing remarks, claims 1, 3-7, and 9 are not anticipated by JP '966 because JP '966 does not disclose each and every limitation of these claims, and claims 2 and 8 are not anticipated by JP '966 because claims 2 and 8 depends from independent claim 1.

3. Japanese Patent Publication No. JP-7314716

a. Independent Claim 1

Japanese Patent Publication No. JP-7314716 ("JP '716") describes an ink cartridge 22 (Figure 2) including a wall (not numbered, but shown in Figure 2) and an ink supply portion 36 (Figure 2) which is positioned adjacent to and flush with a first end of the wall of ink cartridge 22. Ink supply portion 36 is configured to receive an ink supply tube 37 of a printer 1 to deliver ink to printer 1. Ink cartridge 22 also includes a translucent portion (not numbered, but shown in Figure 2) which extends from the wall of ink cartridge 22 and is positioned between ink supply portion 36 and a second end of the wall of ink cartridge 22. The translucent portion has an inner space defined therein, and ink cartridge 22 also includes an ink chamber 23-26 (Figure 2) and a movable member 31

PATENT

Attorney Docket No. 076376.0412

(Figure 2). Specifically, movable member 31 has a light blocking portion and a float portion opposite the light blocking portion, and movable member 31 is configured to selectively be positioned within and outside the inner space of the translucent portion based on the amount of ink within ink chamber 23-26. As ink is dispensed from ink chamber 23-26, the ink within ink chamber 23-26 and movable member 31 move in the same direction.

Independent claim 1 is not anticipated by JP '716 at least because JP '716 does not disclose (a) that the movable member moves in a direction which is slanted with respect to the direction of movement of the ink within the ink chamber.

b. Dependent Claim 2

JP '716 describes a communication path (not numbered, but shown in Figure 2) which is coupled to ink supply portion 36 and is configured to dispense ink from an interior of ink chamber 23-26 to an exterior of ink chamber 23-26 via ink supply portion 36.

c. Dependent Claim 3

Dependent claim 3 is not anticipated by JP '716 at least because JP '716 does not disclose at least one guide, or that the float portion slides along the at least one guide when the float portion moves from the first position to the second position.

d. Dependent Claim 4

Dependent claim 4 is not anticipated by JP '716 at least because JP '716 does not disclose that the float portion includes at least one protrusion, or that such protrusion slidably engages the at least one guide.

PATENT
Attorney Docket No. 076376.0412

e. Dependent Claim 5

Dependent claim 5 is not anticipated by JP '716 at least because JP '716 does not disclose that the at least one protrusion extends parallel to the at least one guide.

f. Dependent Claim 6

Dependent claim 6 is not anticipated by JP '716 at least because JP '716 does not disclose that the float portion includes a plurality of protrusions, or that such protrusions slidably engage the at least one guide.

g. Dependent Claim 7

Dependent claim 7 is not anticipated by JP '716 at least because JP '716 does not disclose that the protrusions extend parallel to the at least one guide.

h. Dependent Claim 9

JP '716 describes a communication path (not numbered, but shown in Figure 2) which is coupled to ink supply portion 36 and is configured to dispense ink from an interior of ink chamber 23-26 to an exterior of ink chamber 23-26 via ink supply portion 36, and a distance between movable member 31 and the communication path in a direction along a center line of the communication path becomes shorter as the ink within ink chamber 23-26 is dispensed from the interior of ink chamber 23- 26.

Dependent claim 9 is not anticipated by JP '716 at least because JP '716 does not disclose that a first distance between the float portion and the communication path in a third direction along a center line of the communication path when the float portion is in the second position is greater than a second distance between the float portion and the communication path in the third direction when the float is in the first position.

PATENT

Attorney Docket No. 076376.0412

In view of the foregoing remarks, claims 1, 3-7, and 9 are not anticipated by JP '716 because JP '716 does not disclose each and every limitation of these claims, and claims 2 and 8 is not anticipated by JP '716 because claims 2 and 8 depends from independent claim 1.

4. Patent Publication No. US 2005/0068389A1 to Katayama et al.

a. Independent Claim 1

Patent Publication No. US 2005/0068389A1 to Katayama et al. ("Katayama") describes an ink cartridge 103 (Figures 12 and 14) including a first wall (not numbered, but shown in Figure 14), a second wall (not numbered, but shown in Figure 14) which is perpendicular to the first wall and is connected to the first wall, an ink supply portion 121 (Figure 14) which extends from an end of the first wall of ink cartridge 103, and a translucent portion 134 (Figures 12 and 14) which extends from the second wall of ink cartridge 103. Translucent portion 134 has an inner space defined therein. Ink cartridge 103 also includes an ink chamber 131, and a movable member 123 (Figure 14) which includes a float portion 161 and a signal blocking portion 160. Signal blocking portion 160 is disposed within and configured to move within the inner space of translucent portion 134 based on the amount of ink within ink chamber 131. Specifically, as the ink level within ink chamber 131 is lowered and moves in a first direction, float portion 161 moves substantially in the first direction, e.g., slightly slanted with respect to the first direction, and signal blocking portion moves substantially in a second direction opposite the first direction, e.g., slightly slanted with respect to the first direction.

PATENT

Attorney Docket No. 076376.0412

Independent claim 1 is not anticipated by Katayama at least because Katayama does not disclose that the ink supply portion and the translucent portion are positioned at the same wall.

b. Dependent Claim 2

Katayama describes a communication path (not numbered, but shown in Figure 14) which is coupled to ink supply portion 121 and is configured to dispense ink from an interior of ink chamber 131 to an exterior of ink chamber 131 via ink supply portion 121.

c. Dependent Claim 3

Dependent claim 3 is not anticipated by Katayama at least because Katayama does not disclose at least one guide, or that the float portion slides along the at least one guide when the float portion moves from the first position to the second position.

d. Dependent Claim 4

Dependent claim 4 is not anticipated by Katayama at least because Katayama does not disclose that the float portion includes at least one protrusion, or that such protrusion slidably engages the at least one guide.

e. Dependent Claim 5

Dependent claim 5 is not anticipated by Katayama at least because Katayama does not disclose that the at least one protrusion extends parallel to the at least one guide.

f. Dependent Claim 6

Dependent claim 6 is not anticipated by Katayama at least because Katayama does not disclose that the float portion includes a plurality of protrusions, or that such protrusions slidably engage the at least one guide.

g. Dependent Claim 7

Dependent claim 7 is not anticipated by Katayama at least because Katayama does not disclose that the protrusions extend parallel to the at least one guide.

h. Dependent Claim 8

Dependent claim 8 is not anticipated by Katayama at least because Katayama does not disclose that when the float portion moves from the first position to the second position each of the float portion and the signal blocking portion moves in a same direction.

h. Dependent Claim 9

Katayama describes a communication path (not numbered, but shown in Figure 14) which is coupled to ink supply portion 121 and is configured to dispense ink from an interior of ink chamber 131 to an exterior of ink chamber 131 via ink supply portion 121, and a distance between float portion 161 and the communication path in a direction along a center line of the communication path becomes shorter as the ink within ink chamber 131 is dispensed from the interior of ink chamber 131.

Dependent claim 9 is not anticipated by Katayama at least because Katayama does not disclose that a first distance between the float portion and the communication path in a third direction along a center line of the communication path when the float portion is in the second position is greater than a second distance between

PATENT

Attorney Docket No. 076376.0412

the float portion and the communication path in the third direction when the float is in the first position.

In view of the foregoing remarks, claims 1 and 3-9 are not anticipated by JP Katayama because Katayama does not disclose each and every limitation of these claims, and claim 2 is not anticipated by Katayama because claim 2 depends from independent claim 1.

PATENT
Attorney Docket No. 076376.0412

Detailed Explanation of Patentability:

1. 35 U.S.C. § 102

Applicants respectfully submit that for at least the reasons set forth above in the preceding section, none of JP '406, JP '966, JP '716, and Katayama anticipates any of claims 1-9 of the above-captioned patent application under 35 U.S.C. § 102(a)-(g) at least because none of these references disclose each and every limitation of any of claims 1-9. MPEP 2131.

2. 35 U.S.C. §103(a)

In order to establish a prima facie case of obviousness, at least three criteria must be met. First, there must be some suggestion or motivation, either in the references themselves or in the knowledge generally available to those of ordinary skill in the art, to modify the primary reference to achieve the claimed invention. Second, there must be a reasonable expectation of success. Third, the prior art references must disclose or suggest all the claim limitations. MPEP 2143. For the reasons set forth below, Applicants respectfully submit that none of JP '719, JP-966, Katayama '389, and Katayama '490, either alone or in combination, renders claims 1-9 of the above-captioned patent application obvious under 35 U.S.C. §103(a).

Katayama describes an ink cartridge in which the ink supply portion and the translucent portion are positioned at different walls of the ink cartridge. JP '716 describes an ink cartridge in which the ink supply portion and the translucent portion are positioned on the same wall. Nevertheless, with respect to independent claim 1, there is no motivation to modify the ink cartridge of either Katayama to position the ink supply portion and the translucent portion on the same wall.

PATENT
Attorney Docket No. 076376.0412

Statement of Utility:

The present invention, as set forth in independent claim 1, may be used to deliver ink to a recording medium, such as paper.

PATENT
 Attorney Docket No. 076376.0412

Showing of Support of Each Claim Limitation:

<u>CLAIM LIMITATION</u>	<u>SUPPORT FOR CLAIM LIMITATION</u>
1. An ink cartridge, comprising: an ink chamber comprising a wall having a first end and a second end opposite the first end;	At least Paragraph 0030; and Figure 3.
a translucent portion positioned at the wall, wherein the translucent portion is configured to be in fluid communication with the ink chamber, and the translucent portion has an inner space formed therein;	At least Paragraph 0032; and Figure 3.
an ink supply portion having an opening formed therethrough, wherein the ink supply portion is positioned at the wall adjacent to the second end of the wall, and the translucent portion is positioned between the first end of the wall and the ink supply portion; and	At least Paragraphs 0022, 0031, and 0048; and Figure 3.
a movable member comprising: a signal blocking portion, wherein the signal blocking portion is disposed within the inner space of the translucent portion; and	At least Paragraphs 0033 and 0034; and Figures 3 and 4.

PATENT
Attorney Docket No. 076376.0412

<p>a float portion disposed within the ink chamber, wherein the float portion is configured to move between a first position and a second position based at least on an amount of ink disposed within the ink chamber, wherein as the ink within the ink chamber is dispensed from the interior of the ink chamber to the exterior of the ink chamber a surface of the ink within the ink chamber moves in a first predetermined direction, and when the float portion moves from the first position to the second position each of the float portion and the signal blocking portion moves in a second predetermined direction which is slanted with respect to the first predetermined direction.</p>	<p>At least Paragraphs 0033 and 0034; and Figures 3 and 4.</p>
<p>2. The ink cartridge of claim 1, further comprising a communication path configured to dispense ink from an interior of the ink chamber to an exterior of the ink chamber via the opening formed through the ink supply portion, wherein the float portion is unaligned with a center line of the communication path when the float portion is in the first position or the second position.</p>	<p>At least Paragraph 0033.</p>
<p>3. The ink cartridge of claim 2, further comprising at least one guide, wherein the float portion slides along the at least one guide when the float portion moves from the first position to the second position.</p>	<p>At least Paragraph 0034; and Figure 3.</p>

PATENT
Attorney Docket No. 076376.0412

<p>4. The ink cartridge of claim 3, wherein the float portion comprises at least one protrusion which slidably engages the at least one guide.</p>	<p>At least Paragraph 0033; and Figure 4.</p>
<p>5. The ink cartridge of claim 4, wherein the at least one protrusion extends parallel to the at least one guide.</p>	<p>At least Figure 4.</p>
<p>6. The ink cartridge of claim 3, wherein the float portion comprises a plurality of protrusions which slidably engage the at least one guide.</p>	<p>At least Paragraph 0033; and Figure 4.</p>
<p>7. The ink cartridge of claim 6, wherein each of the plurality of protrusions extend parallel to the at least one guide.</p>	<p>At least Figure 4.</p>
<p>8. The ink cartridge of claim 7, wherein when the float portion moves from the first position to the second position each of the float portion and the signal blocking portion moves in a same direction.</p>	<p>At least paragraph 0034.</p>

PATENT

Attorney Docket No. 076376.0412

<p>9. The ink cartridge of claim 1, further comprising a communication path configured to dispense ink from an interior of the ink chamber to an exterior of the ink chamber via the opening formed through the ink supply portion, wherein the float portion moves from the first position to the second position based at least on decrease of the amount of ink disposed within the ink chamber, and a first distance between the float portion and the communication path in a third direction along a center line of the communication path when the float portion is in the second position is greater than a second distance between the float portion and the communication path in the third direction when the float is in the first position.</p>	<p>At least paragraph 0034.</p>
--	---------------------------------

Thus, claims 1-9 satisfy the requirements of 35 U.S.C. § 112, ¶1.

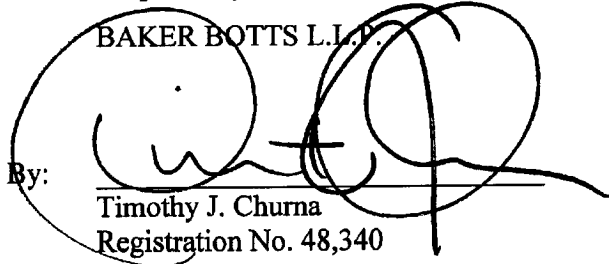
PATENT
Attorney Docket No. 076376.0412

Conclusion:

In view of this Accelerated Support Document, Applicants respectfully request that the Examiner grant the Petition for Accelerated Examination in the above-captioned patent application. Applicants respectfully submit that the claims of the above-captioned patent application are in condition for allowance, and respectfully request that the Examiner allow the claims of the above-captioned patent application to issue in a U.S. patent.

Respectfully submitted,

BAKER BOTTS L.L.P.

By: A handwritten signature in black ink, appearing to be 'Timothy J. Churna', is written over a horizontal line. The signature is enclosed within a large, hand-drawn circle.

Timothy J. Churna
Registration No. 48,340

Dated: September 29, 2006

Baker Botts L.L.P.
The Warner; Suite 1300
1299 Pennsylvania Avenue, N.W.
Washington, D.C. 20004-2400
(202) 639-7700 (telephone)
(202) 639-7890 (facsimile)

JBA/TJC/tt

PTO/SB/08a (08-03)

Approved for use through 07/31/2006. OMB 0651-0031

U.S. Patent and Trademark Office; U.S. DEPARTMENT OF COMMERCE

Under the Paperwork Reduction Act of 1995, no persons are required to respond to a collection of information unless it contains a valid OMB control number.

INFORMATION DISCLOSURE STATEMENT BY APPLICANT (Not for submission under 37 CFR 1.99)	Application Number		
	Filing Date		2006-09-29
	First Named Inventor	Toyonori SASAKI et al.	
	Art Unit		
	Examiner Name		
	Attorney Docket Number		076376.0412

U.S.PATENTS							Remove
Examiner Initial*	Cite No	Patent Number	Kind Code ¹	Issue Date	Name of Patentee or Applicant of cited Document	Pages,Columns,Lines where Relevant Passages or Relevant Figures Appear	
	1						

If you wish to add additional U.S. Patent citation information please click the Add button. Add

U.S.PATENT APPLICATION PUBLICATIONS							Remove
Examiner Initial*	Cite No	Publication Number	Kind Code ¹	Publication Date	Name of Patentee or Applicant of cited Document	Pages,Columns,Lines where Relevant Passages or Relevant Figures Appear	
	1	20050068389	A1	2005-03-31	KATAYAMA ET AL.	Entire Document and Accelerated Examination Support Document	

If you wish to add additional U.S. Published Application citation information please click the Add button. Add

FOREIGN PATENT DOCUMENTS								Remove
Examiner Initial*	Cite No	Foreign Document Number ³	Country Code ² j	Kind Code ⁴	Publication Date	Name of Patentee or Applicant of cited Document	Pages,Columns,Lines where Relevant Passages or Relevant Figures Appear	T ⁵
	1	8281966	JP	A	1996-10-29	TAMIO	Abstract and Accelerated Examination Support Document	<input type="checkbox"/>
	2	200434406	JP	A	2004-02-05	ISAO	Abstract and Accelerated Examination Support Document	<input type="checkbox"/>
	3	7314716	JP	A	1996-12-05	HIROSHI ET AL.	Abstract and Accelerated Examination Support Document	<input type="checkbox"/>

INFORMATION DISCLOSURE STATEMENT BY APPLICANT (Not for submission under 37 CFR 1.99)	Application Number		
	Filing Date		2006-09-29
	First Named Inventor	Toyonori SASAKI et al.	
	Art Unit		
	Examiner Name		
	Attorney Docket Number		076376.0412

If you wish to add additional Foreign Patent Document citation information please click the Add button

NON-PATENT LITERATURE DOCUMENTS

Examiner Initials*	Cite No	Include name of the author (in CAPITAL LETTERS), title of the article (when appropriate), title of the item (book, magazine, journal, serial, symposium, catalog, etc), date, pages(s), volume-issue number(s), publisher, city and/or country where published.	T ⁵
	1		<input type="checkbox"/>

If you wish to add additional non-patent literature document citation information please click the Add button

EXAMINER SIGNATURE

Examiner Signature		Date Considered	
--------------------	--	-----------------	--

*EXAMINER: Initial if reference considered, whether or not citation is in conformance with MPEP 609. Draw line through a citation if not in conformance and not considered. Include copy of this form with next communication to applicant.

¹ See Kind Codes of USPTO Patent Documents at www.USPTO.GOV or MPEP 901.04. ² Enter office that issued the document, by the two-letter code (WIPO Standard ST.3). ³ For Japanese patent documents, the indication of the year of the reign of the Emperor must precede the serial number of the patent document. ⁴ Kind of document by the appropriate symbols as indicated on the document under WIPO Standard ST.16 if possible. ⁵ Applicant is to place a check mark here if English language translation is attached.

INFORMATION DISCLOSURE STATEMENT BY APPLICANT (Not for submission under 37 CFR 1.99)	Application Number		
	Filing Date		2006-09-29
	First Named Inventor	Toyonori SASAKI et al.	
	Art Unit		
	Examiner Name		
	Attorney Docket Number		076376.0412

CERTIFICATION STATEMENT

Please see 37 CFR 1.97 and 1.98 to make the appropriate selection(s):

That each item of information contained in the information disclosure statement was first cited in any communication from a foreign patent office in a counterpart foreign application not more than three months prior to the filing of the information disclosure statement. See 37 CFR 1.97(e)(1).

OR

That no item of information contained in the information disclosure statement was cited in a communication from a foreign patent office in a counterpart foreign application, and, to the knowledge of the person signing the certification after making reasonable inquiry, no item of information contained in the information disclosure statement was known to any individual designated in 37 CFR 1.56(c) more than three months prior to the filing of the information disclosure statement. See 37 CFR 1.97(e)(2).

See attached certification statement.

Fee set forth in 37 CFR 1.17 (p) has been submitted herewith.

None

SIGNATURE

A signature of the applicant or representative is required in accordance with CFR 1.33, 10.18. Please see CFR 1.4(d) for the form of the signature.

Signature	/Timothy J. Churna/	Date (YYYY-MM-DD)	2006-09-29
Name/Print	Timothy J. Churna	Registration Number	48340

This collection of information is required by 37 CFR 1.97 and 1.98. The information is required to obtain or retain a benefit by the public which is to file (and by the USPTO to process) an application. Confidentiality is governed by 35 U.S.C. 122 and 37 CFR 1.14. This collection is estimated to take 1 hour to complete, including gathering, preparing and submitting the completed application form to the USPTO. Time will vary depending upon the individual case. Any comments on the amount of time you require to complete this form and/or suggestions for reducing this burden, should be sent to the Chief Information Officer, U.S. Patent and Trademark Office, U.S. Department of Commerce, P.O. Box 1450, Alexandria, VA 22313-1450. **DO NOT SEND FEES OR COMPLETED FORMS TO THIS ADDRESS. SEND TO: Commissioner for Patents, P.O. Box 1450, Alexandria, VA 22313-1450.**

Privacy Act Statement

The Privacy Act of 1974 (P.L. 93-579) requires that you be given certain information in connection with your submission of the attached form related to a patent application or patent. Accordingly, pursuant to the requirements of the Act, please be advised that: (1) the general authority for the collection of this information is 35 U.S.C. 2(b)(2); (2) furnishing of the information solicited is voluntary; and (3) the principal purpose for which the information is used by the U.S. Patent and Trademark Office is to process and/or examine your submission related to a patent application or patent. If you do not furnish the requested information, the U.S. Patent and Trademark Office may not be able to process and/or examine your submission, which may result in termination of proceedings or abandonment of the application or expiration of the patent.

The information provided by you in this form will be subject to the following routine uses:

1. The information on this form will be treated confidentially to the extent allowed under the Freedom of Information Act (5 U.S.C. 552) and the Privacy Act (5 U.S.C. 552a). Records from this system of records may be disclosed to the Department of Justice to determine whether the Freedom of Information Act requires disclosure of these records.
2. A record from this system of records may be disclosed, as a routine use, in the course of presenting evidence to a court, magistrate, or administrative tribunal, including disclosures to opposing counsel in the course of settlement negotiations.
3. A record in this system of records may be disclosed, as a routine use, to a Member of Congress submitting a request involving an individual, to whom the record pertains, when the individual has requested assistance from the Member with respect to the subject matter of the record.
4. A record in this system of records may be disclosed, as a routine use, to a contractor of the Agency having need for the information in order to perform a contract. Recipients of information shall be required to comply with the requirements of the Privacy Act of 1974, as amended, pursuant to 5 U.S.C. 552a(m).
5. A record related to an International Application filed under the Patent Cooperation Treaty in this system of records may be disclosed, as a routine use, to the International Bureau of the World Intellectual Property Organization, pursuant to the Patent Cooperation Treaty.
6. A record in this system of records may be disclosed, as a routine use, to another federal agency for purposes of National Security review (35 U.S.C. 181) and for review pursuant to the Atomic Energy Act (42 U.S.C. 218(c)).
7. A record from this system of records may be disclosed, as a routine use, to the Administrator, General Services, or his/her designee, during an inspection of records conducted by GSA as part of that agency's responsibility to recommend improvements in records management practices and programs, under authority of 44 U.S.C. 2904 and 2906. Such disclosure shall be made in accordance with the GSA regulations governing inspection of records for this purpose, and any other relevant (i.e., GSA or Commerce) directive. Such disclosure shall not be used to make determinations about individuals.
8. A record from this system of records may be disclosed, as a routine use, to the public after either publication of the application pursuant to 35 U.S.C. 122(b) or issuance of a patent pursuant to 35 U.S.C. 151. Further, a record may be disclosed, subject to the limitations of 37 CFR 1.14, as a routine use, to the public if the record was filed in an application which became abandoned or in which the proceedings were terminated and which application is referenced by either a published application, an application open to public inspections or an issued patent.
9. A record from this system of records may be disclosed, as a routine use, to a Federal, State, or local law enforcement agency, if the USPTO becomes aware of a violation or potential violation of law or regulation.

PATENT

Attorney Docket No. 076376.0412

CLAIMS:

What is Claimed is:

1. An ink cartridge, comprising:

an ink chamber comprising a wall having a first end and a second end opposite the first end;

a translucent portion positioned at the wall, wherein the translucent portion is configured to be in fluid communication with the ink chamber, and the translucent portion has an inner space formed therein;

an ink supply portion having an opening formed therethrough, wherein the ink supply portion is positioned at the wall adjacent to the second end of the wall, and the translucent portion is positioned between the first end of the wall and the ink supply portion; and

a movable member comprising:

a signal blocking portion, wherein the signal blocking portion is disposed within the inner space of the translucent portion; and

a float portion disposed within the ink chamber, wherein the float portion is configured to move between a first position and a second position based at least on an amount of ink disposed within the ink chamber, wherein as the ink within the ink chamber is dispensed from the interior of the ink chamber to the exterior of the ink chamber a surface of the ink within the ink chamber moves in a first predetermined direction, and when the float portion moves from the first position to the second position each of the float portion and the signal blocking portion moves in a second predetermined direction which is slanted with respect to the first predetermined direction.

PATENT

Attorney Docket No. 076376.0412

2. The ink cartridge of claim 1, further comprising a communication path configured to dispense ink from an interior of the ink chamber to an exterior of the ink chamber via the opening formed through the ink supply portion, wherein the float portion is unaligned with a center line of the communication path when the float portion is in the first position or the second position.

3. The ink cartridge of claim 2, further comprising at least one guide, wherein the float portion slides along the at least one guide when the float portion moves from the first position to the second position.

4. The ink cartridge of claim 3, wherein the float portion comprises at least one protrusion which slidably engages the at least one guide.

5. The ink cartridge of claim 4, wherein the at least one protrusion extends parallel to the at least one guide.

6. The ink cartridge of claim 3, wherein the float portion comprises a plurality of protrusions which slidably engage the at least one guide.

7. The ink cartridge of claim 6, wherein each of the plurality of protrusions extend parallel to the at least one guide.

8. The ink cartridge of claim 7, wherein when the float portion moves from the first

PATENT

Attorney Docket No. 076376.0412

position to the second position each of the float portion and the signal blocking portion moves in a same direction.

9. The ink cartridge of claim 1, further comprising a communication path configured to dispense ink from an interior of the ink chamber to an exterior of the ink chamber via the opening formed through the ink supply portion, wherein the float portion moves from the first position to the second position based at least on decrease of the amount of ink disposed within the ink chamber, and a first distance between the float portion and the communication path in a third direction along a center line of the communication path when the float portion is in the second position is greater than a second distance between the float portion and the communication path in the third direction when the float is in the first position.

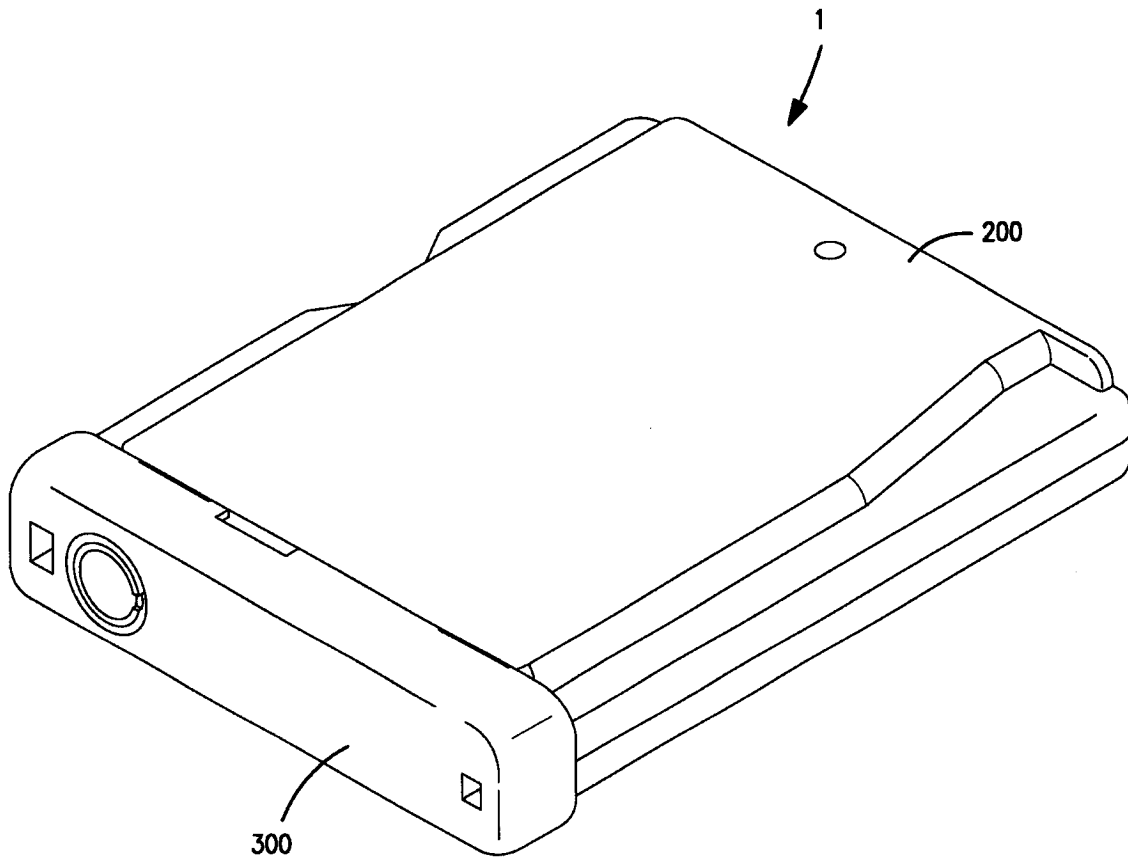


FIGURE 1

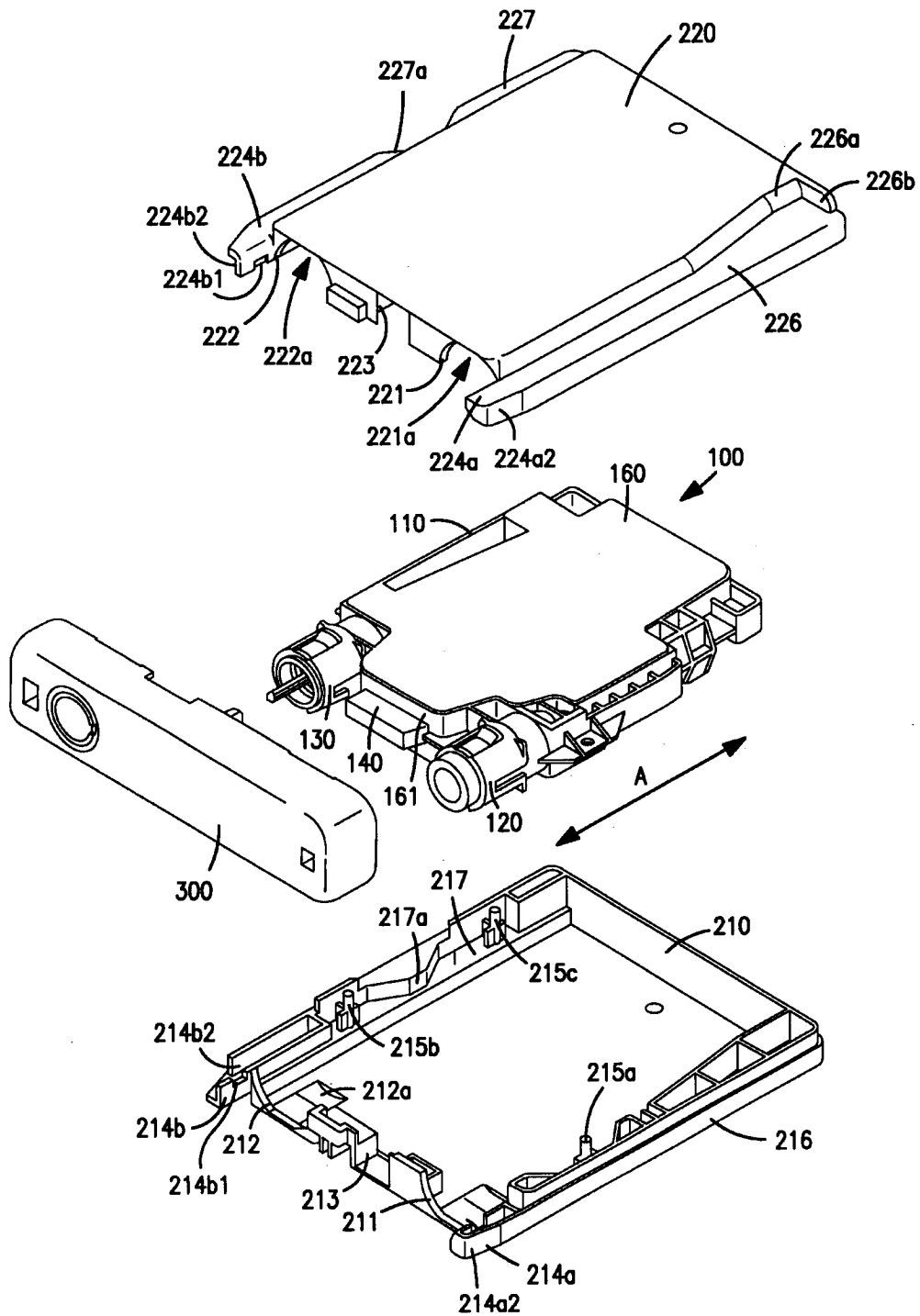


FIGURE 2

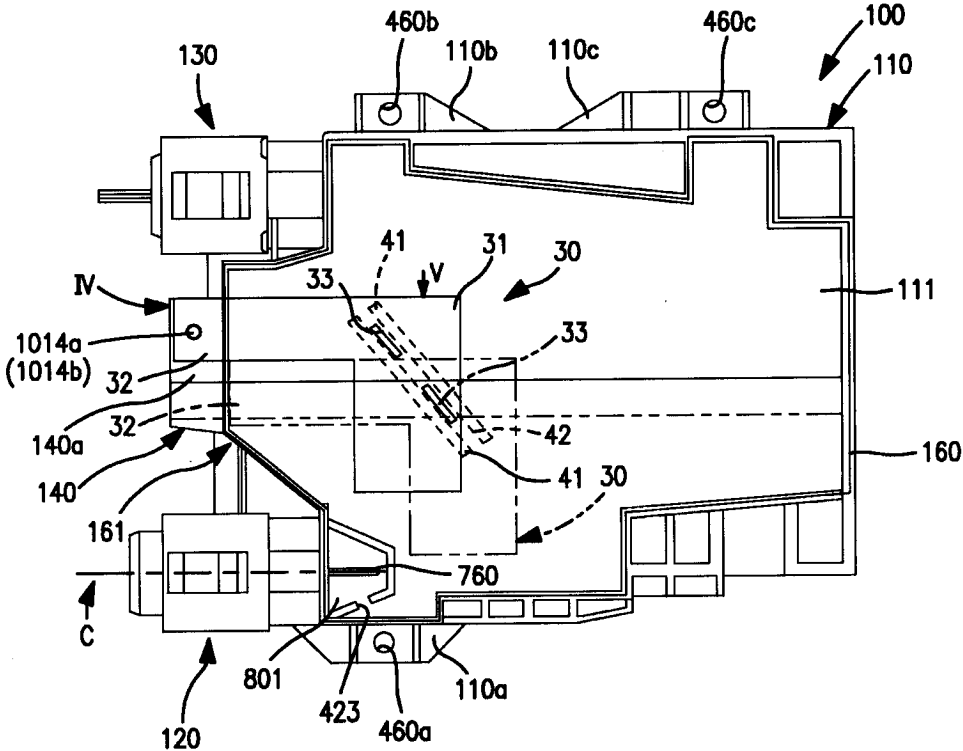


FIGURE 3

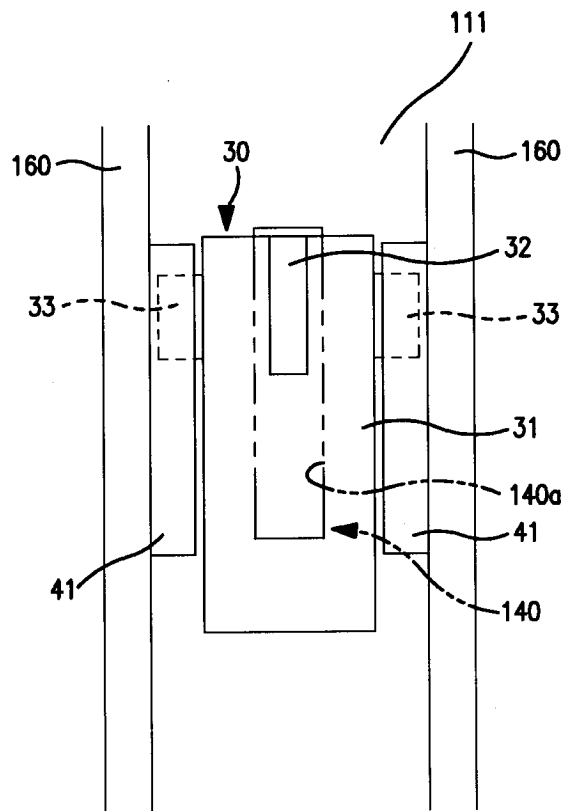


FIGURE 4

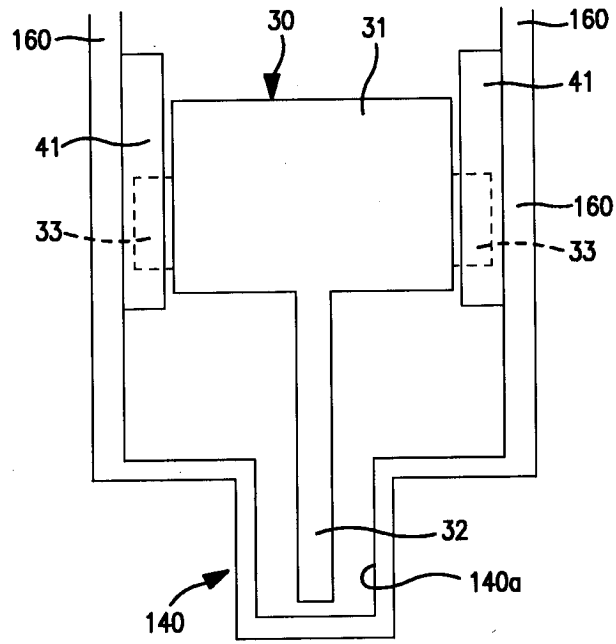
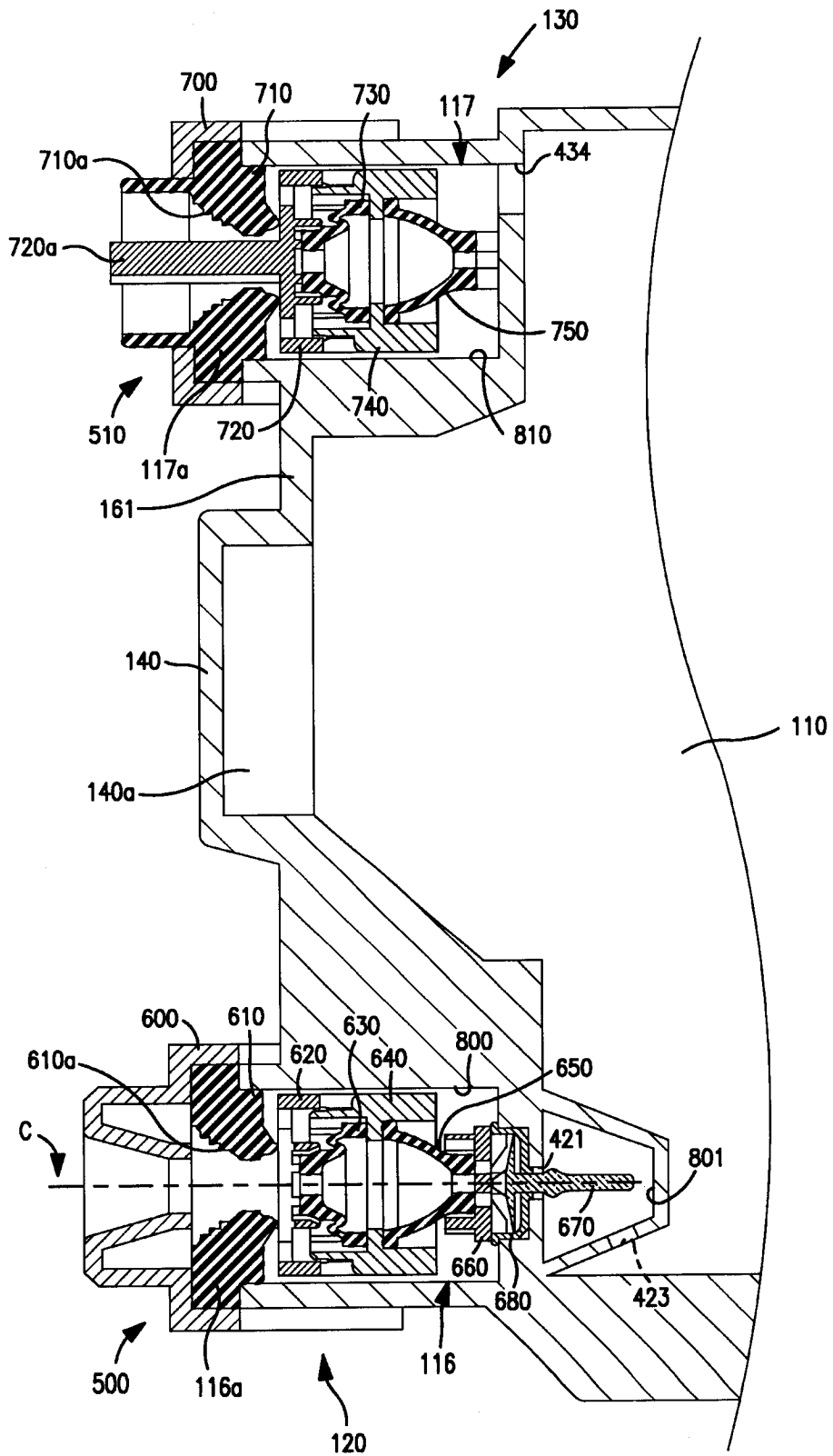


FIGURE 5



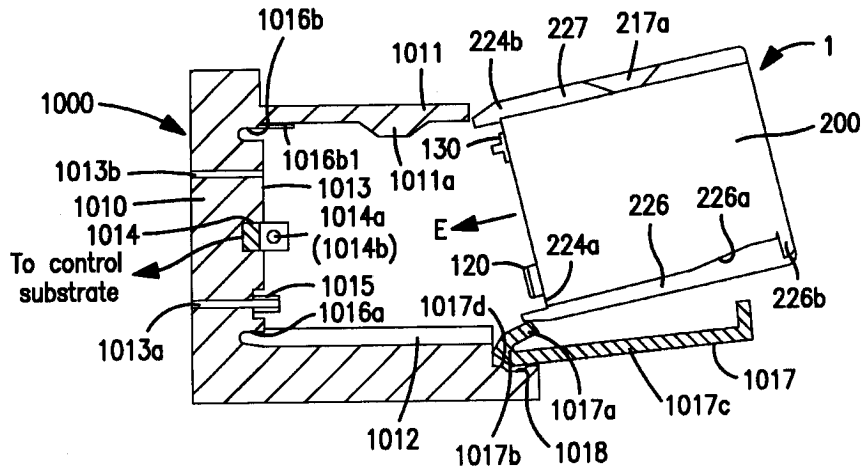


FIGURE 7(a)

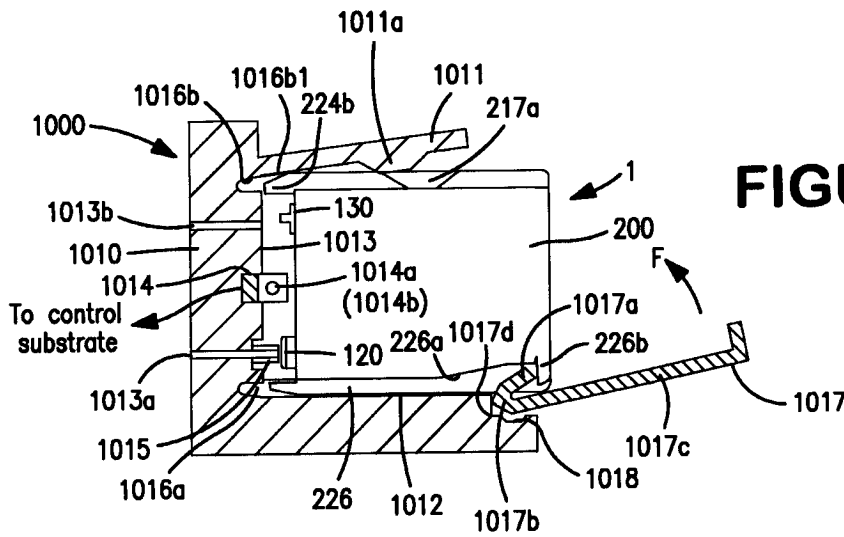


FIGURE 7(b)

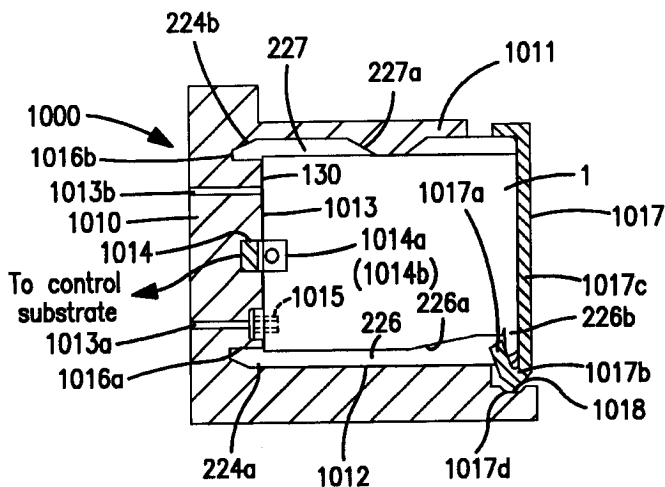


FIGURE 7(c)

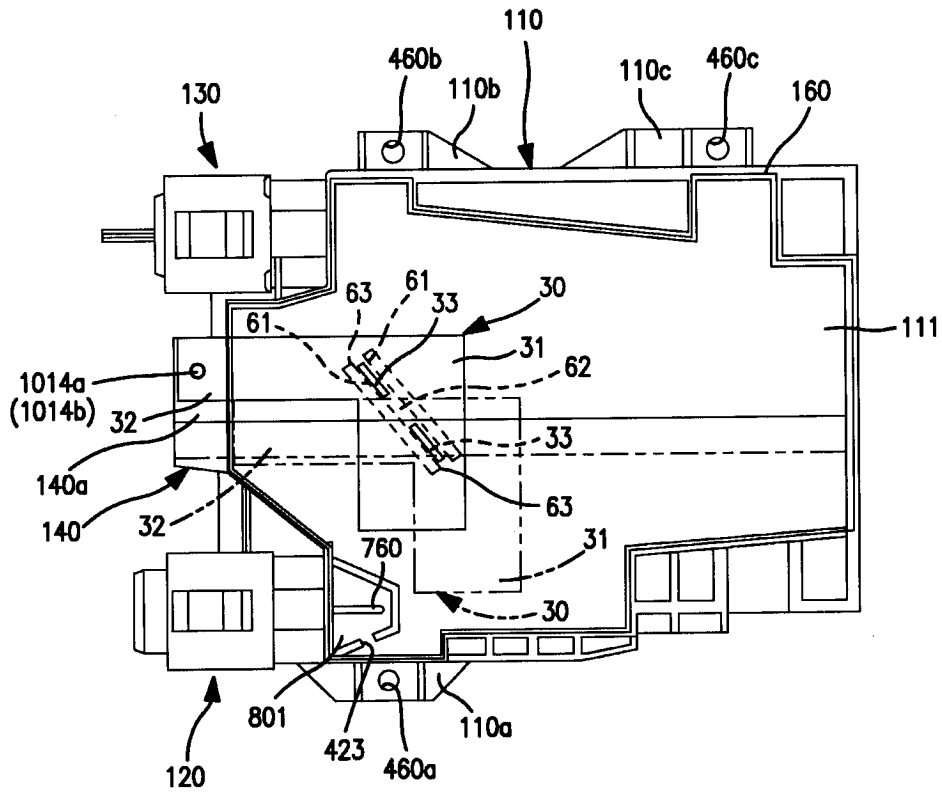


FIGURE 8

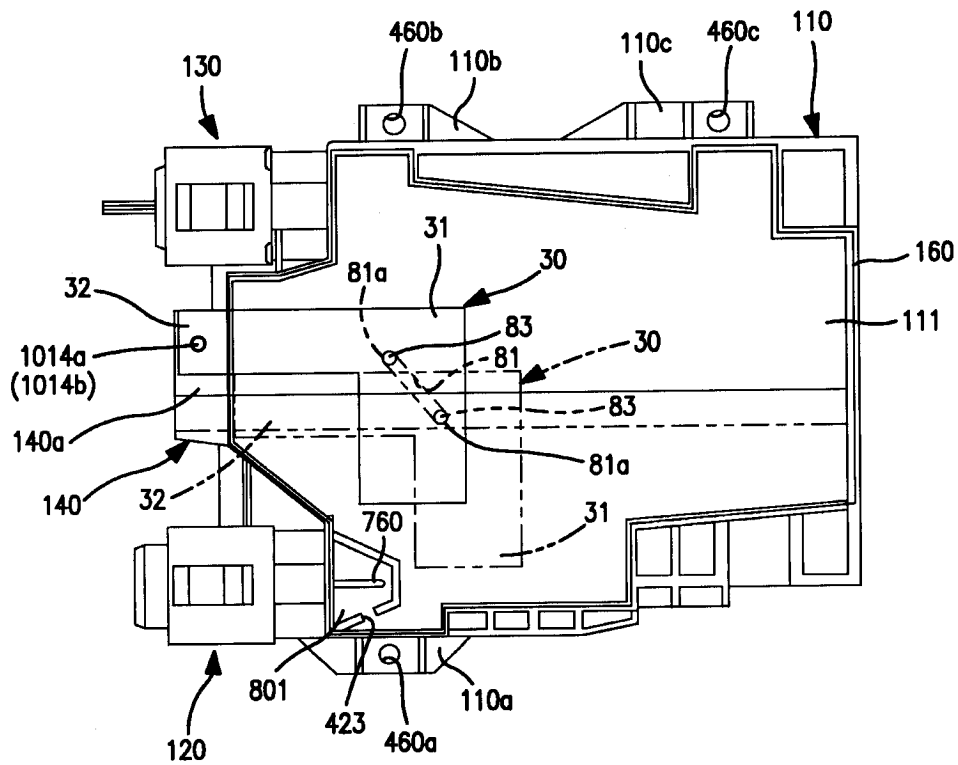


FIGURE 9

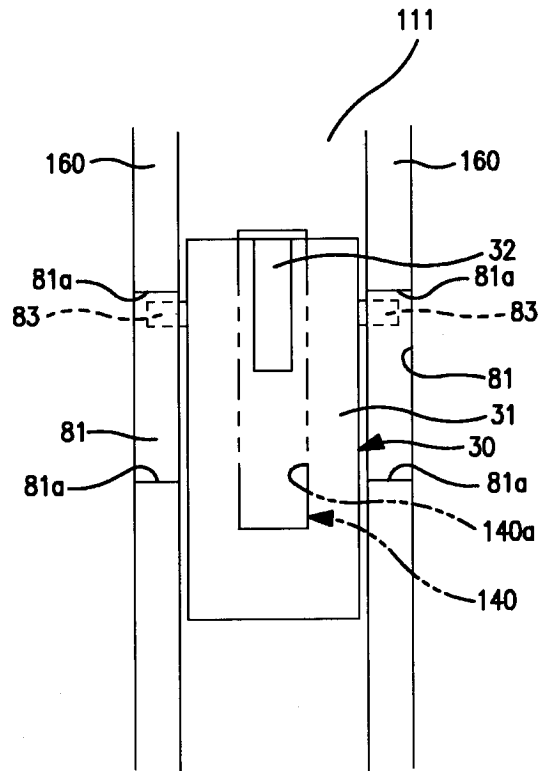


FIGURE 10

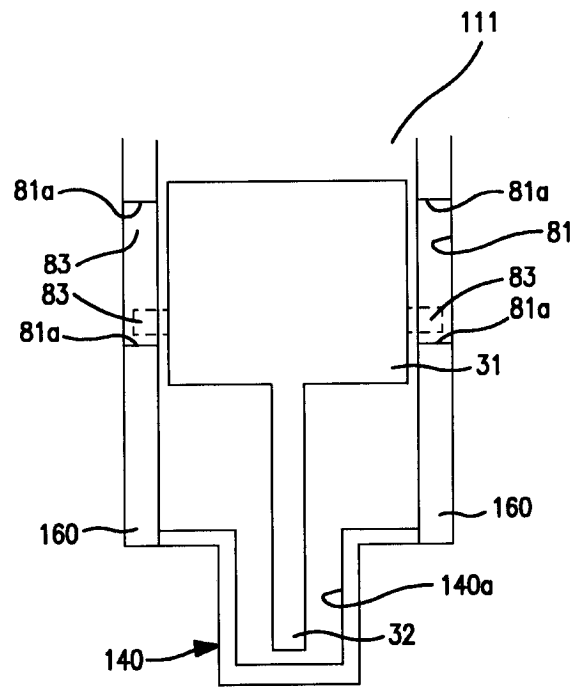


FIGURE 11

Doc Code: PET.SPRE.ACX

PTO/SB/28 (08-06)

Approved for use through 09/30/2006. OMB 0651-0031
U.S. Patent and Trademark Office; U. S. DEPARTMENT OF COMMERCE

Under the Paperwork Reduction Act of 1995, no persons are required to respond to a collection of information unless it displays a valid OMB control number.

PETITION TO MAKE SPECIAL UNDER ACCELERATED EXAMINATION PROGRAM			
Attorney Docket Number	076376.0412	First Named Inventor	SASAKI ET AL.
Application Number (if Known)			
Title of Invention	INK CARTRIDGES		
APPLICANT HEREBY PETITIONS TO MAKE THE ABOVE-IDENTIFIED APPLICATION SPECIAL UNDER THE REVISED ACCELERATED EXAMINATION PROGRAM. See Instruction sheet on page 3.			
1.	<p>Claims of the application:</p> <p>a. The application must contain three (3) or fewer independent claims and twenty (20) or fewer total claims. The application may not contain any multiple dependent claims.</p> <p>b. Applicant hereby agrees not to separately argue the patentability of any dependent claim during any appeal in the application. Specifically, the applicant agrees that the dependent claims will be grouped together with and not argued separately from the independent claim from which they depend in any appeal brief filed in the application (37 CFR 41.37(c)(1)(vii)).</p> <p>c. The claims must be directed to a single invention.</p>		
2.	<p>Interviews:</p> <p>Applicant hereby agrees to have (if requested by examiner):</p> <p>a. An interview (including an interview before a first Office action) to discuss the prior art and any potential rejections or objections with the intention of clarifying and possibly resolving all issues with respect to patentability at that time, and</p> <p>b. A telephonic interview to make an election without traverse if the Office determines that the claims are not obviously directed to a single invention.</p>		
3.	<p>Preexamination Search Statement and Accelerated Examination Support Document:</p> <p>With this petition, applicant is providing: a preexamination search statement, in compliance with the requirements set forth in item 8 of the instruction sheet, and an "accelerated examination support document" that includes:</p> <p>a. An information disclosure statement in compliance with 37 CFR 1.98 citing each reference deemed most closely related to the subject matter of each of the independent claims;</p> <p>b. For each reference cited, an identification of all the limitations of the claims that are disclosed by the reference specifying where the limitation is disclosed in the cited reference;</p> <p>c. A detailed explanation of how each of the claims are patentable over the references cited with the particularity required by 37 CFR 1.111(b) and (c);</p> <p>d. A concise statement of the utility of the invention as defined in each of the independent claims (unless the application is a design application);</p> <p>e. An identification of any cited references that may be disqualified as prior art under 35 U.S.C. 103(c) as amended by the CREATE act; and</p> <p>f. A showing of where each limitation of the claims finds support under the first paragraph of 35 U.S.C. 112 in the written description of the specification. If applicable, the showing must also identify: (1) each means- (or step-) plus-function claim element that invokes consideration under 35 U.S.C. 112, ¶6; and (2) the structure, material, or acts that correspond to any means- (or step-) plus-function claim element that invokes consideration under 35 U.S.C. 112, ¶6. If the application claims the benefit of one or more applications under title 35, United States Code, the showing must also include where each limitation of the claims finds support under the first paragraph of 35 U.S.C. 112 in each such application in which such support exists.</p>		

The information is required to obtain or retain a benefit by the public which is to file (and by the USPTO to process) an application. Confidentiality is governed by 35 U.S.C. 122 and 37 CFR 1.11 and 1.14. This form is estimated to take 12 hours to complete, including gathering, preparing, and submitting the completed application form to the USPTO. Time will vary depending upon the individual case. Any comments on the amount of time you require to complete this form and/or suggestions for reducing this burden, should be sent to the Chief Information Officer, U.S. Patent and Trademark Office, U.S. Department of Commerce, P.O. Box 1450, Alexandria, VA 22313-1450. DO NOT SEND FEES OR COMPLETED FORMS TO THIS ADDRESS. If you need assistance in completing the form, call 1-800-PTO-9199 and select option 2.

EFS Web 1.0



A07606

Doc Code: PET.SPRE.ACX

PTO/SB/28 (08-06)

Approved for use through 09/30/2006. OMB 0651-0031
 U.S. Patent and Trademark Office; U. S. DEPARTMENT OF COMMERCE

Under the Paperwork Reduction Act of 1995, no persons are required to respond to a collection of information unless it displays a valid OMB control number.

PETITION TO MAKE SPECIAL UNDER ACCELERATED EXAMINATION PROGRAM (Continued)			
Attorney Docket Number	076376.0412	First Named Inventor	SASAKI ET AL.
Attachments:			
a.		Accelerated Examination Support Document (see item 3 above).	
b.		A statement, in compliance with the requirements set forth in item 8 of the instruction sheet, detailing the preexamination search which was conducted.	
c.		Information Disclosure Statement.	
d.	<input type="checkbox"/>	Other (e.g., a statement that the claimed subject matter is directed to environmental quality, energy, or countering terrorism (37 CFR 1.102(c)(2)))	
Fees: The following fees must be filed electronically via EFS or EFS-Web:			
a.		The basic filing fee, search fee, examination fee, and application size fee (if required) under 37 CFR 1.16.	
b.		Petition fee under 37 CFR 1.17(h) - unless the petition is filed with a showing under 37 CFR 1.102(c)(2).	
Signature:			
Click Remove if you wish to remove this signatory			
Signature	/Timothy J. Churna/	Date	2006-09-29
Name (Print/Typed)	Timothy J. Churna	Registration Number	48340
Click Add if you wish to add additional signatory			
<small>Note: Signatures of all the inventors or assignees of record of the entire interest or their representative(s) are required in accordance with 37 CFR 1.33 and 10.18. Please see 37 CFR 1.4(d) for the form of the signature.</small>			

PTO/SB/28 (08-06)

Approved for use through 09/30/2008. OMB 0651-0031

U.S. Patent and Trademark Office; U. S. DEPARTMENT OF COMMERCE

Under the Paperwork Reduction Act of 1995, no persons are required to respond to a collection of information unless it displays a valid OMB control number.

Instruction Sheet Petition to Make Special Under the Accelerated Examination

A grantable petition must meet the following conditions:

1. The petition to make special under the accelerated examination program must be filed with the application and accompanied by the fee set forth in 37 CFR 1.17(h) or a statement that the claimed subject matter is directed to environmental quality, energy, or countering terrorism.
2. The application must be a non-reissue utility or design application filed under 35 U.S.C. 111(a).
3. The application must be filed electronically using the Office electronic filing system (EFS) or EFS-Web.
4. The application must be complete under 37 CFR 1.51 and in condition for examination on filing. For example, the application must be filed together with the basic filing fee, search fee, examination fee, and application size fee (if applicable), and an oath or declaration under 37 CFR 1.63.
5. The application must contain three (3) or fewer independent claims and twenty (20) or fewer total claims. The application may not contain any multiple dependent claims. The petition must include a statement that applicant will agree not to separately argue the patentability of any dependent claim during any appeal in the application. Specifically, the applicant is agreeing that the dependent claims will be grouped together with and not argued separately from the independent claim from which they depend in any appeal brief filed in the application (37 CFR 41.37(c)(1)(vii)).
6. The claims must be directed to a single invention. The petition must include a statement that applicant will agree to have a telephonic interview to make an election without traverse in a telephonic interview if the Office determines that all the claims are not directed to a single invention.
7. The petition must include a statement that applicant will agree to have an interview (including an interview before a first Office action) to discuss the prior art and any potential rejections or objections with the intention of clarifying and possibly resolving all issues with respect to patentability at that time.
8. At the time of filing, applicant must provide a statement that a preexamination search was conducted, including an identification of the field of search by United States class and subclass and the date of the search, where applicable, and, for database searches, the search logic or chemical structure or sequence used as a query, the name of the file or files searched and the database service, and the date of the search.
 - a. This preexamination search must involve U.S. patents and patent application publications, foreign patent documents, and nonpatent literature, unless the applicant can justify with reasonable certainty that no references more pertinent than those already identified are likely to be found in the eliminated source and includes such a justification with this statement.
 - b. This preexamination search must be directed to the claimed invention and encompass all of the features of the independent claims, giving the claims the broadest reasonable interpretation.
 - c. The preexamination search must also encompass the disclosed features that may be claimed, in that an amendment to the claims (including any new claim) that is not encompassed by the preexamination search will be treated as non-responsive and will not be entered.
 - d. A search report from a foreign patent office will not be accepted unless the search report satisfies the requirements set forth above.
 - e. Any statement in support of a petition to make special must be based on a good faith belief that the preexamination search was conducted in compliance with these requirements. See 37 CFR 1.56 and 10.18.
9. At the time of filing, applicant must provide in support of the petition an accelerated examination support document that includes:
 - a. An information disclosure statement in compliance with 37 CFR 1.98 citing each reference deemed most closely related to the subject matter of each of the claims;
 - b. For each reference cited, an identification of all the limitations of the claims that are disclosed by the reference specifying where the limitation is disclosed in the cited reference;
 - c. A detailed explanation of how each of the claims are patentable over the references cited with the particularity required by 37 CFR 1.111(b) and (c);
 - d. A concise statement of the utility of the invention as defined in each of the independent claims (unless the application is a design application);
 - e. An identification of any cited references that may be disqualified as prior art under 35 U.S.C. 103(c) as amended by the CREATE act; and
 - f. A showing of where each limitation of the claims finds support under the first paragraph of 35 U.S.C. 112 in the written description of the specification. If applicable, the showing must also identify: (1) each means- (or step-) plus-function claim element that invokes consideration under 35 U.S.C. 112, ¶6; and (2) the structure, material, or acts that correspond to any means- (or step-) plus-function claim element that invokes consideration under 35 U.S.C. 112, ¶6. If the application claims the benefit of one or more applications under title 35, United States Code, the showing must also include where each limitation of the claims finds support under the first paragraph of 35 U.S.C. 112 in each such application in which such support exists.

For more information, see notice "Changes to Practice for Petitions in Patent Applications to Make Special and for Accelerated Examination" available on the USPTO web site at <http://www.uspto.gov/web/office/s/pac/dapp/ogsheet.html>

Privacy Act Statement

The Privacy Act of 1974 (P.L. 93-579) requires that you be given certain information in connection with your submission of the attached form related to a patent application or patent. Accordingly, pursuant to the requirements of the Act, please be advised that: (1) the general authority for the collection of this information is 35 U.S.C. 2(b)(2); (2) furnishing of the information solicited is voluntary; and (3) the principal purpose for which the information is used by the U.S. Patent and Trademark Office is to process and/or examine your submission related to a patent application or patent. If you do not furnish the requested information, the U.S. Patent and Trademark Office may not be able to process and/or examine your submission, which may result in termination of proceedings or abandonment of the application or expiration of the patent.

The information provided by you in this form will be subject to the following routine uses:

1. The information on this form will be treated confidentially to the extent allowed under the Freedom of Information Act (5 U.S.C. 552) and the Privacy Act (5 U.S.C. 552a). Records from this system of records may be disclosed to the Department of Justice to determine whether the Freedom of Information Act requires disclosure of these records.
2. A record from this system of records may be disclosed, as a routine use, in the course of presenting evidence to a court, magistrate, or administrative tribunal, including disclosures to opposing counsel in the course of settlement negotiations.
3. A record in this system of records may be disclosed, as a routine use, to a Member of Congress submitting a request involving an individual, to whom the record pertains, when the individual has requested assistance from the Member with respect to the subject matter of the record.
4. A record in this system of records may be disclosed, as a routine use, to a contractor of the Agency having need for the information in order to perform a contract. Recipients of information shall be required to comply with the requirements of the Privacy Act of 1974, as amended, pursuant to 5 U.S.C. 552a(m).
5. A record related to an International Application filed under the Patent Cooperation Treaty in this system of records may be disclosed, as a routine use, to the International Bureau of the World Intellectual Property Organization, pursuant to the Patent Cooperation Treaty.
6. A record in this system of records may be disclosed, as a routine use, to another federal agency for purposes of National Security review (35 U.S.C. 181) and for review pursuant to the Atomic Energy Act (42 U.S.C. 218(c)).
7. A record from this system of records may be disclosed, as a routine use, to the Administrator, General Services, or his/her designee, during an inspection of records conducted by GSA as part of that agency's responsibility to recommend improvements in records management practices and programs, under authority of 44 U.S.C. 2904 and 2906. Such disclosure shall be made in accordance with the GSA regulations governing inspection of records for this purpose, and any other relevant (i.e., GSA or Commerce) directive. Such disclosure shall not be used to make determinations about individuals.
8. A record from this system of records may be disclosed, as a routine use, to the public after either publication of the application pursuant to 35 U.S.C. 122(b) or issuance of a patent pursuant to 35 U.S.C. 151. Further, a record may be disclosed, subject to the limitations of 37 CFR 1.14, as a routine use, to the public if the record was filed in an application which became abandoned or in which the proceedings were terminated and which application is referenced by either a published application, an application open to public inspections or an issued patent.
9. A record from this system of records may be disclosed, as a routine use, to a Federal, State, or local law enforcement agency, if the USPTO becomes aware of a violation or potential violation of law or regulation.