

EXHIBIT 17 (Part 2)

PATENT

Attorney Docket No. 076376.0413

portion 42. However, at this time, the top edge of light blocking portion 42 is in contact with the upper surface of translucent portion 140, and arm portion 41 is prevented from rotating in the clockwise direction. Specifically, when the amount of ink within ink chamber 111 is greater than a predetermined amount of ink, light blocking portion 42 is in contact with the upper surface of the translucent portion 140. At this time, the light emitted from light emitting portion 1014a is blocked by light blocking portion 42. In this way, because the rotation of arm portion 41 is prevented by the upper surface of translucent portion 140, when there is more than the predetermined amount of ink within ink chamber 111, light blocking portion 42 blocks the light emitted from light emitting portion 1014a.

[0032] As the amount of ink within ink chamber 111 decreases, light blocking portion 42 and arm portion 41 gradually are exposed from the ink surface, and the buoyancy generated on the rotating member 42 decreases. However, the volume of float 43 within the ink is greater than the volume of the exposed portion, and float portion 43 has a smaller mass per unit volume than the exposed portion. Therefore, the buoyancy generated on rotating member 32 still is greater than the gravity generated on rotating member 32, such that the position of rotating member 32 does not change. As the amount of ink further decreases, one portion of the float portion 43 may be exposed from the ink surface, and the buoyancy generated on rotating member 32 becomes substantially equal to the gravity generated on rotating member. After this, float portion 43 moves downwards in accordance with the drop of the ink level as the ink decreases. As a result, rotating member 32 rotates in a counterclockwise direction, and light blocking portion 42 moves downwards in Figure 3. When arm portion 41 has rotated by a predetermined amount in a counterclockwise direction, light blocking portion 42 no longer blocks light emitted from light emitting portion 1014a, and the light is received by light receiving portion 1014b. Optical sensor

PATENT

Attorney Docket No. 076376.0413

1014 then detects that the amount of ink within the ink chamber 111 is insufficient, and a warning to change the ink cartridge may be generated and displayed.

[0033] As the amount of ink within ink chamber 111 falls further, arm portion 41 further rotates in the counterclockwise direction. However, as arm portion 41 rotates in the counterclockwise direction, the lower edge of light blocking portion 42 contacts the lower surface of translucent portion 140 that bounds bottom of inner space 140a. As a result, any further rotation of arm portion 41 in the counterclockwise direction is prevented.

[0034] Referring to Figure 5(b), in a known rotating member 50, an arm portion 51 is supported at its middle portion, such that it rotates about the fulcrum 51a at the middle portion. A blocking portion 52 and a float portion 53 are located on opposite sides of fulcrum 51a. Some of the differences between rotating member 32 of embodiments of the present invention and known rotating member 50 now will be discussed with respect to Figures 5(a) and 5(b). In order to make the movement distance of light blocking portions 42 and 52 the same, if the distance between fulcrum 41a and light blocking portion 42 is the same as the distance between fulcrum 51a and light blocking portion 52, then instead of setting float portion 53 on the opposite side of fulcrum 51a from light blocking portion 52, when setting float portion 43 to be positioned between fulcrum 41a and light blocking portion 42 as shown in Figure 5(a), it is possible to make arm portion 41 to be shorter than arm portion 51 because it is not necessary to extend arm portion 41 to the opposite side of fulcrum 41a from light blocking portion 42. As a result, it is possible to minimize the size of rotating member 32. Further, in rotating member 32, because float portion 43 is positioned on the end of branched arm portion 44 which branches from arm portion 41, it is possible to detect that there is little ink remaining when the ink level within ink chamber 111 is at a lower position than the known case shown in Figure 5(b).

PATENT

Attorney Docket No. 076376.0413

[0035] Referring again to Figure 4, communication path 116 may be formed below translucent portion 140 on side wall 161, and an air intake path 117 may be provided above translucent portion 140. In the state shown in Figure 4, communication path 116 and air intake path 117 extend in the horizontal direction, a valve mechanism 500 may be positioned within inside the communication path 116, which may be configured to selectively open and close an ink outlet 116a of communication path 116, and an air intake mechanism 510 may be positioned within air intake path 117, which may be configured to selectively open and close an air intake inlet 117a of air intake path 117. Moreover, ink supply portion 120 may be in fluid communication with communication path 116 and may comprise valve mechanism 500, and air intake portion 130 may be in communication with air intake path 117 and may comprise air intake mechanism 510.

[0036] Communication path 116 may comprise a valve storage portion 800 and an ink supply chamber 801. Valve storage portion 800 stores a portion of valve mechanism 500. Valve storage portion 800 may communicate with ink supply chamber 801 via connection hole 421. Ink supply chamber 801 may communicate with ink chamber 111 via connection hole 423. The path from ink supply chamber 801 to ink outlet 116a via connection hole 421 and valve storage portion 800 may extend substantially in the horizontal direction. In communication path 116, the ink within ink chamber 111 flows into ink supply chamber 801 via connection hole 423, and further, it flows into valve storage portion 800 via connection hole 421.

[0037] Referring to Figure 4, valve mechanism 500 may comprise a supply cap 600, a supply joint 610, a supply valve 620, a first supply spring 630, a supply slider 640, a second supply spring 650, a valve seat 660, a check valve 670, and a cover 680. Supply cap 600 may be attached adjacent to ink outlet 116a of communication path 116. Supply joint 610 may comprise

PATENT

Attorney Docket No. 076376.0413

an elastic resin material, such as rubber. A through-hole 610a which extends in the horizontal direction may be formed in the central portion of supply joint 610, and an ink extraction pipe 1015 of printer 1000 may be inserted into through-hole 610a. Supply joint 610 covers the surrounding area of ink outlet 116a of communication path 116. When ink cartridge 1 is not installed in printer 1000, supply valve 620 may be pressed towards the left-hand side of Figure 4 by a first supply spring 630, and the left side wall of supply valve 620 may contact the right side edge portion of supply joint 610, such that through-hole 610a may be closed. In contrast, when ink cartridge 1 is installed in printer 1000, supply joint 610 moves to the right side of Figure 4 because it is pressed by ink extraction pipe 1015, and because a spacing is built up between supply joint 610 and supply valve 620, communication path 116 and ink extraction pipe 1015 communicate with each other, making it possible to supply ink to printer 1000. In this way, it is possible to perform opening and closing of ink outlet 116a of communication path 116.

[0038] First supply spring 630 and second supply spring 650 may sandwich supply slider 640. Supply slider 640 may operate in the movement direction, e.g., the right/left direction of Figure 4, of supply valve 620, and it may cover the right side of supply valve 620. Second supply spring 650 may have substantially the same shape and may comprise substantially the same material as first supply spring 630, and may be stored within supply slider 640. Second supply spring 650 presses supply slider 640 to the left side. Valve seat 660 may contact second supply spring 650 and may support check valve 670. Check valve 670 may be positioned adjacent to connection hole 421 and may prevent back-flow of the ink in connection hole 421. Cover 680 and valve seat 660 may cover check valve 670.

[0039] Air intake path 117 extends in the horizontal direction, and may comprise an air intake mechanism storage portion 810 which stores a portion of air intake mechanism 510, and a

PATENT

Attorney Docket No. 076376.0413

connection hole 434 which provides communication between air intake mechanism storage portion 810 and ink chamber 111.

[0040] Air intake mechanism 510 may comprise an air cap 700, an air joint 710, an air valve 720, a first air spring 730, an air slider 740, and a second air spring 750. Air cap 700 may be connected to an air intake inlet 117a of air intake path 117. Air joint 710 may comprise an elastic resin material, such as rubber. A through-hole 710a which extends in the horizontal direction may be formed in the central portion of air joint 710. Air joint 710 covers the surrounding area of air intake inlet 117a. When ink cartridge 1 is not installed in printer 1000, supply valve 720 may be pressed to the left-hand direction of Figure 4 by first supply spring 730. The left side wall of supply valve 720 may contact the right edge portion of supply joint 710, such that through-hole 710a may be closed. In contrast, when ink cartridge 1 is installed in printer 1000, protrusion portion 720a which protrudes to the outer side of ink intake inlet 117a from the left edge of air valve 720 moves to the right side of Figure 4 because it is pressed by contact with the attachment surface 1013, and because a spacing is created between air joint 710 and air valve 720, air intake path 117 and air intake portion 1013b communicate with each other, enabling the intake of air. In this way, it is possible to perform opening and closing of air intake inlet 117a of air intake path 117.

[0041] First air spring 730 and second air spring 750 may sandwich air slider 740. Air slider 740 covers the right side of air valve 720. Air slider 740 also may operate in the movement direction, e.g., the right/left direction of Figure 4, of air valve 720 which is pressed by contact with the wall surface of attachment surface 1013. Second air spring 750 may have substantially the same shape and may comprise substantially the same material as first air spring

PATENT

Attorney Docket No. 076376.0413

730. Second air spring 750 may be stored within air slider 740, and it may press air slider 740 to the left side.

[0042] As shown in Figure 6(a), an installation portion 1010 of printer 1000 may comprise a locking rod 1011 that protrudes in the right-side direction in Figure 6 from the attachment portion 1010. Locking rod 1011 locks locking portions 217a and 227b of external case 200. Installation portion 1010 also may comprise a support portion 1012 which supports first case attachment portions 216 and 226 of external case 200 from below and has a concave shape corresponding to the shape of first attachment portions 216 and 226. Moreover, a convex portion 1011a may be formed on locking rod 1011, which protrudes toward support portion 1012 and has the same shape as locking portions 217a and 227a.

[0043] Optical sensor 1014, e.g., a U-shaped optical sensor, may be provided on installation surface 1013 of installation portion 1010. One end of optical sensor 1014 may be light emitting portion 1014a which emits light, and the other end of optical sensor 1014 may be light receiving portion 1014b which receives the light. Light emitting portion 1014a and light receiving portion 1014b protrude from installation surface 1013, such that they may be inserted into the through-holes formed by case cut-out portions 213 and 223 and translucent portion 140. When the light emitted from light emitting portion 1014a is received by light receiving portion 1014b, optical sensor 1014 outputs a signal to the control substrate (not shown) in printer 1000, and when the light emitted from light emitting portion 1014a is blocked and light receiving portion 1014b does not receive the light, no signal is output to the control substrate, and it is possible to print.

[0044] Moreover, ink extraction pipe 1015 protrudes from installation surface 1013 on the side corresponding to ink supply portion 120, and installation surface 1013 on the side

PATENT

Attorney Docket No. 076376.0413

corresponding to the air intake portion 130 may have a planar surface. Ink path 1013a may be connected to ink extraction pipe 1015, and ink may be supplied to printer 1000 via ink path 1013a. An air intake path 1013b may be formed on installation surface 1013 on the air intake portion 130 side, and air may be drawn into ink chamber 111 via air intake path 1013b.

[0045] Case protrusion portions 214a and 224a case protrusion portions 214b and 224b of the external case 200 may be inserted into both sides of installation surface 1013, and concave portions 1016a and 1016b may be formed corresponding to the outer shape of case protrusion portions 214a and 224a and case protrusion portions 214b and 224b. Further, a mating rod 1016b1 may be formed on concave portion 1016b, which may mate with the mating groove which is formed by case mating grooves 214b2 and 224b2 of external case 200. When ink cartridge 1 is installed, mating rod 1016b1 may be inserted into the mating groove formed by case mating grooves 214b2 and 224b2. Specifically, not only may the shape of the case protrusion portion formed by case protrusion portions 214a and 224a different from that of the case protrusion portion formed by case protrusion portions 214b and 224b, because the shapes of concave portions 1016a and 1016b of printer 1000 also may be different, when ink cartridge 1 is installed upside-down, mating rod 1016b1 becomes an obstacle and ink cartridge 1 cannot be incorrectly installed. Because improper installation of ink cartridge 1 is prevented, it is possible to prevent damage to ink supply portion 120, air intake portion 130, optical sensor 1014, and ink extraction pipe 1015.

[0046] Further, within installation portion 1010 and on the edge side of support portion 1012, an engaging member 1017 configured to rotate and to engage mating portions 216b and 226b may be provided. Engaging member 1017 may fit inside concave portions 216a and 226a of external case 200. Engaging member 1017 may comprise each of an engaging edge 1017a

PATENT

Attorney Docket No. 076376.0413

which engages with mating portions 216b and 226b of external case 200, an axis portion 1017b which is connected to engaging edge 1017a and which acts as the axis of the rotation of engaging member 1017, and a covering portion 1017c which is connected to axis portion 1017b and covers the side surface of the external case opposite from the side surface facing installation surface 1013. A convex portion 1017d may be formed and may protrude in the circumferential direction from axis portion 1017b. Engaging member 1017 may be positioned in an upright posture through the engagement of convex portion 1017d with concave portion 1018 which is formed on attachment portion 1010 of printer 1000.

[0047] As shown in Figure 6(a), when ink cartridge 1 is installed in printer 1000, ink cartridge 1 may be installed, such that ink supply portion 120 is on the lower side and air intake portion 130 is on the upper side. Specifically, if ink supply portion 120 is not positioned on the lower side, the ink within ink cartridge 1 may not be efficiently used.

[0048] Also, when ink cartridge 1 is installed in printer 1000, ink supply portion 120, translucent portion 140, and air intake portion 130 may be positioned in this order from the bottom to the top and, ink supply portion 120, translucent portion 140, and air intake portion 130 may be formed on the same surface. Therefore, because ink supply portion 120, translucent portion 140, and air intake portion 130 may be positioned relatively close to each other on the same surface, it is possible to position optical sensor 1014, ink extraction pipe 1015, and air intake path 1013b relatively close to each other on the same surface of printer 1000, such that it is possible to reduce the size of printer 1000.

[0049] Installation of ink cartridge 1 may be performed by inserting case protrusion portions 214a and 224a of the external case 200, such that they contact support portion 1012, and pushing ink cartridge 1, such that first case attachment portions 216 and 226 slides across the top

PATENT

Attorney Docket No. 076376.0413

of support portion 1012, e.g., in the direction of the arrow E. As described above, because sloped surfaces 214a2 and 224a2 may be formed on case protrusions 214a and 224a, it is possible to smoothly insert ink cartridge 1 onto support portion 1012 using sloped surfaces 214a2 and 224a2.

[0050] As shown in Figure 6(b), when ink cartridge 1 is pressed toward installation portion 1010, locking rod 1011 is pressed by second case attachment portions 217 and 227 and elastically deforms in the direction away from support portion 1012. Moreover, engaging edge portion 1017a of engaging member 1017 comes within concave portions 216a and 226a of external case 200, and then, these come into contact with the mating portions 216b and 226b. Further, when ink cartridge 1 is inserted, engaging member 1017 rotates upwards.

[0051] As shown in Figure 6(c), when ink cartridge 1 is inserted even further from the state shown in Figure 6(b), e.g., when engaging member 1017 is rotated in the arrow F direction by the user, convex portion 1011a of locking rod 1011 fits into and engages with locking portions 217a and 227a of external case 200, which fixes ink cartridge 1. Moreover, convex portion 1017d of engaging member 1017 engages with concave portion 1018, thereby fixing ink cartridge 1. Therefore, when ink cartridge 1 is installed in installation portion 1010, it is possible to prevent easy dislodging of ink cartridge 1 due to vibrations caused by printing or the like. In addition, because movement of ink cartridge 1 in the vertical direction may be restricted by locking rod 1011 and support portion 1012, it is possible to prevent damage to optical sensor 1014 and ink extraction pipe 1015 due to insertion of ink cartridge 1 at an angle.

[0052] In the above-described embodiments of the present invention, arm portion 41 may be restricted to a predetermined degree of clockwise rotation by contact of the top edge of light blocking portion 42 with the upper surface of translucent portion 140 bounding the top portion

PATENT

Attorney Docket No. 076376.0413

of inner space 140a, and arm portion 41 may be restricted to a predetermined degree of counterclockwise rotation by contact of the lower edge of light blocking portion 42 with the lower surface of translucent portion 140 bounding the inner space 140a. Nevertheless, those of ordinary skill in the art at the time of the invention readily will understand that it is acceptable to have separate means to restrict the rotation of arm portion 41, such as forming a protrusion to prevent excess rotation of arm portion 41, which contacts arm portion 41 when arm portion 41 has made a predetermined degree of clockwise or counterclockwise rotation in ink chamber 111.

[0053] Moreover, in the above-described embodiments of the present invention, fulcrum 41a is positioned below light blocking portion 42 whenever rotating member 32 is within the range of permissible rotation. Nevertheless, fulcrum 41a may be positioned above light blocking portion 42. Fulcrum 41a also alternatively may be positioned at a height between the position when light blocking portion 42 is at its highest position and the position when light blocking portion 42 is at its lowest position. Specifically, when light blocking portion 42 is positioned above a predetermined position, fulcrum 41a may be positioned below light blocking portion 42, and when light blocking portion 42 is positioned below a predetermined position, fulcrum 41a may be positioned above light blocking portion 42.

[0054] Moreover, in the above-described embodiments of the present invention, fulcrum 41a is formed on arm portion 41 of rotating member 32, and fulcrum 41a is supported in a support portion of support member 31. Nevertheless, so long as rotating member 32 is pivotally supported by support member 31, the fulcrum alternatively may be formed on support member 31 and rotating member 32 may have a portion for receiving the fulcrum.

PATENT

Attorney Docket No. 076376.0413

[0055] In addition, in the above-described embodiments of the present embodiment, communication path 116 is on the side surface of case 110. Nevertheless, communication path 116 may be formed on the bottom surface of the case which forms the ink chamber.

[0056] While the invention has been described in connection with exemplary embodiments, it will be understood by those skilled in the art that other variations and modifications of the exemplary embodiments described above may be made without departing from the scope of the invention. Other embodiments will be apparent to those skilled in the art from a consideration of the specification or practice of the invention disclosed herein. It is intended that the specification and the described examples are considered merely as exemplary of the invention, with the true scope of the invention being indicated by the following claims.

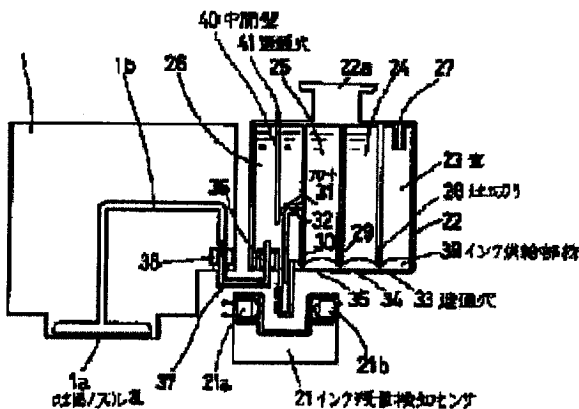
INK CARTRIDGE

特許公報番号 JP7314716
 公報発行日 1995-12-05
 発明者: SUGIYAMA HIROSHI; MURATA YUKIKO
 出願人 CANON KK
 分類:
 一国際: B41J2/175; B41J2/175; (IPC1-7): B41J2/175
 一欧州:
 出願番号 JP19940115387 19940527
 優先権主張番号: JP19940115387 19940527

ここにデータエラーを報告してください

要約 JP7314716

PURPOSE:To provide an ink cartridge of a recording head in an ink-jet recorder equipped with a means which properly detects the residue of ink without disturbing the function of an ink residue-detecting device by the generated air bubbles even when the consumption rate of ink is rapid to some degree. **CONSTITUTION:**An ink cartridge is equipped with respective partition plates 28, 29, 30 for dividing the inside of the ink cartridge 22 into a plurality of chambers 23, 24, 25, 26 and with communication holes 33, 34, 35 with the respective adjacent chambers for an ink-supplying member 39 which is provided in the lower parts of the respective partition plates and has a negative pressure-generating function. Further the ink cartridge is provided with an intermediate wall 40 which is lengthened in the vertical direction and has a communication hole 41 in the vicinity of the upper end face thereof in a chamber 36 having a port for supplying ink to a recording head 1.



esp@cenet データベースから供給されたデータ - Worldwide

(19) 日本国特許庁 (J P)

(12) 公開特許公報 (A)

(11) 特許出願公開番号

特開平7-314716

(43) 公開日 平成7年(1995)12月5日

(51) Int.Cl. ⁸	識別記号	庁内整理番号	F I	技術表示箇所
B 4 1 J 2/175			B 4 1 J 3/ 04	1 0 2 Z

審査請求 未請求 請求項の数 8 OL (全 9 頁)

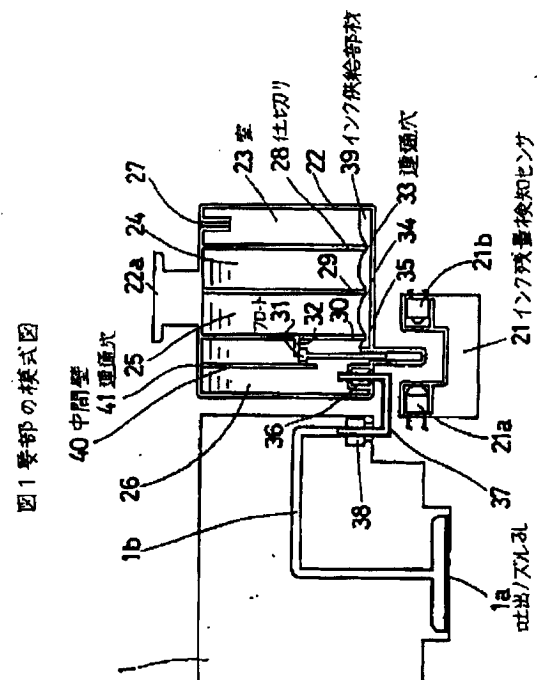
(21) 出願番号	特願平6-115387	(71) 出願人	000001007 キヤノン株式会社 東京都大田区下丸子3丁目30番2号
(22) 出願日	平成6年(1994)5月27日	(72) 発明者	杉山 浩 東京都大田区下丸子3丁目30番2号 キヤノン株式会社内
		(72) 発明者	村田 有紀子 東京都大田区下丸子3丁目30番2号 キヤノン株式会社内
		(74) 代理人	弁理士 丹羽 宏之 (外1名)

(54) 【発明の名称】 インクカートリッジ

(57) 【要約】

【目的】 インクジェット記録装置の記録ヘッド1のインクカートリッジ22において、インクの消費速度がある程度速い場合でも、発生した気泡等によって、インク残量検知装置の機能が妨げられることなく、適切に検知し得る手段を提供する。

【構成】 このため、インクカートリッジ22の内部を複数室23、24、25、26に分ける各仕切り板28、29、30と、これら各仕切り板の下部に設けられた負圧発生機能を有するインク供給部材39用の各隣室との連通穴33、33、34を備えるとともに、記録ヘッド1へのインク供給口を有する室36中に、鉛直方向に延び、その上端面付近に連通穴41を有する中間壁40を設けた。



A07666

(2)

1

【特許請求の範囲】

【請求項1】 記録ヘッドよりインク滴を吐出し、記録媒体上に記録を行うインクジェット記録装置に用いるインクカートリッジの内部を複数室に分割する各仕切り板と、これら各仕切り板に設けた負圧発生手段を有する隣室との連通部とを備えたインクカートリッジであって、前記記録ヘッドへのインク供給口を有する前記室の中にあり、鉛直方向に延び、この室の鉛直方向上端面付近に連通穴を有する中間壁を備えたことを特徴とするインクカートリッジ。

【請求項2】 記録ヘッドよりインク滴を吐出し、記録媒体上に記録を行うインクジェット記録装置に用いるインクカートリッジの内部を複数室に分割する仕切り板と、これら各仕切り板に設けた負圧発生手段を有する隣室との連通部と、発光素子及び受光素子から成るインク残量検知手段とを備えたインクカートリッジであって、前記記録ヘッドへのインク供給口を有する前記室の中にあり、鉛直方向に延び、この室の鉛直方向上端面付近に連通穴を有する中間壁を備えたことを特徴とするインクカートリッジ。

【請求項3】 記録ヘッドよりインク滴を吐出し、記録媒体上に記録を行うインクジェット記録装置に用いるインクカートリッジの内部を複数室に分割する各仕切り板と、これら各仕切り板に設けた負圧発生手段を有する隣室との連通部と、インクより比重が軽く発光素子及び受光素子から成るインク残量検知手段の光を遮断可能な浮き部材とを備えたインクカートリッジであって、前記記録ヘッドへのインク供給口を有する前記室の中にあり、鉛直方向に延び、この室の鉛直方向上端面付近に連通穴を有する中間壁を備えたことを特徴とするインクカートリッジ。

【請求項4】 記録ヘッドよりインク滴を吐出し、記録媒体上に記録を行うインクジェット記録装置に用いるインクカートリッジの内部を複数室に分割する各仕切り板と、これら各仕切り板の一端に明けられた隣室との連通穴と、この連通穴を通り前記各室に連続した液体供給部材による負圧発生手段とを備えたインクカートリッジであって、前記記録ヘッドと連通する前記室と隣接する室との仕切り板にある前記連通穴において発生する負圧値は、その他の仕切り板にある前記連通穴において発生する負圧値より小であるよう構成したことを特徴とするインクカートリッジ。

【請求項5】 記録ヘッドよりインク滴を吐出し、記録媒体上に記録を行うインクジェット記録装置に用いるインクカートリッジの内部を複数室に分割する各仕切り板と、これら各仕切り板の一端に明けられた隣室との連通穴と、これら各連通穴を通り前記各室に連続した液体供給部材による負圧発生手段と、発光素子及び受光素子から成るインク残量検知手段とを備えたインクカートリッジであって、前記記録ヘッドと連通する前記室と隣接す

2

る室との仕切り板にある前記連通穴において発生する負圧値は、その他の仕切り板にある前記連通穴において発生する負圧値より小であるよう構成したことを特徴とするインクカートリッジ。

【請求項6】 記録ヘッドよりインク滴を吐出し、記録媒体上に記録を行うインクジェット記録装置に用いるインクカートリッジの内部を複数室に分割する各仕切り板と、これら各仕切り板の一端に明けられた隣室との連通穴と、これら各連通穴を通り前記各室に連続した液体供給部材による負圧発生手段と、前記インクより比重が軽く発光素子及び受光素子から成るインク残量検知手段の光を遮断可能な浮き部材とを備えたインクカートリッジであって、前記記録ヘッドと連通する前記室と隣接する室との仕切り板にある前記連通穴において発生する負圧値は、その他の仕切り板にある前記連通穴において発生する負圧値より小であるよう構成したことを特徴とするインクカートリッジ。

【請求項7】 前記記録ヘッドと連通する前記室と隣接する室との仕切り板にある前記連通穴断面積は、その他の仕切り板にある前記連通穴断面積より大なるよう構成したことを特徴とする請求項6記載のインクカートリッジ。

【請求項8】 前記記録ヘッドと連通する前記室と隣接する室との仕切り板にある前記連通穴が前記液体供給部材をその本来の厚みに対し圧縮する比率は、その他の仕切り板にある前記連通穴が前記液体供給部材をその本来の厚みに対し圧縮する比率より小なるよう構成したことを特徴とする請求項6記載のインクカートリッジ。

【発明の詳細な説明】

【0001】

【産業上の利用分野】本発明は、インク滴を吐出し記録を行うインクジェット記録装置に、また特に、その記録に用いるインクの残量検知手段を有する形式のインクカートリッジに関するものである。

【0002】

【背景の技術】この種のインクジェット記録装置に用いるカートリッジのインクの残量検知方法の中で、光学式手段を用いたものの一例として特開昭62-152859号公報が提案開示されている。この技術の特開平5-201021に開示されたカートリッジに応用した場合のインクジェット記録装置の一例を図6、図7及び図8を用いて説明する。図6は、その一例の模式図、図7は図6の要部模式図、図8は図7において発生する気泡の様子を示す模式図である。

【0003】図6において、1は、インクを吐出し記録を行う記録ヘッド、2は、記録ヘッド1の支持移動するための移動台、2aは、移動台2の一端に設けたコロ、3は、移動台2を支持案内するためのガイドレールであり、4は、移動台2を駆動するモータ、5は、モータ4に直結したプーリ、6は、プーリ5に対向した従動プー

A07667

(3)

3

り、7は、モータ4の動力を移動台2に伝えるため、プーリ5と従動プーリ6に巻掛けられたベルト、9は、紙等から成る記録媒体、8は、記録媒体9を平面的に支持するためのプラテンである。

【0004】10は、記録媒体9を移動するための紙送りモータ、11は、紙送りモータ10に直結した小プーリ、12は、小プーリ11に対向した大プーリ、13は小プーリ11の駆動力を大プーリ12に伝達するためのベルトである。

【0005】14及び16は、記録媒体9を送るためのローラ、15及び17は、不図示の付勢手段で記録媒体9を各々ローラ14、16に押し付けるための押圧ローラ、18は、記録ヘッド1が待機中等に、記録ヘッド1の吐出ノズルを乾燥などから保護するためのキャップ、19は、キャップ18と記録ヘッド1との機密性を保持するためのシールゴム、20は、吸引手段（不図示）とキャップ18内部とを連結するためのチューブであり、必要に応じ、キャップ18内部を減圧し記録ヘッド1内部のインクを吸引することも可能である。

【0006】21は、記録装置本体側に固定されており、インクカートリッジ22のインク残量検知が可能な位置に設置される残量検知センサである。22は、記録ヘッド1が、記録に用いるインクを貯蔵するための交換式のインクカートリッジであり、22aは、インクカートリッジ22交換の際に操作する取手である。

【0007】図7は、図6における移動台2の内部にある記録ヘッド1、インクカートリッジ22及びその周辺並びに記録装置本体側に固定されているインク残量検知センサ21を詳細に表わした模式図である。図中、1aは、インクを吐出する微細な吐出ノズルを複数設けたノズル列、1bは、記録ヘッド1内のインク流路である。また、インク残量検知センサ21における21aは、赤外光を発する発光素子、21bは、発光素子21aからの光を受光可能な受光素子である。

【0008】23、24、25、26は、それぞれインクカートリッジ22内部を分割した各室で、28、29、30は、その各仕切りであり、その下端はそれぞれ等しい断面積の連通穴33、34、35が明けられており、連続した多孔質体から成るインク供給部材39が通り、同様の圧縮率で圧縮されている。27は、室23に設けられた大気連通口ある。

【0009】31は、インクより比重の軽い合成樹脂ポリプロピレンあるいはポリエチレンなどを黒色に着色した材質から成るフロート（浮き部材）であり、その下端部は、その可動範囲の下死点付近で発光素子21aからの光を遮断することが可能なように構成されている。32は、フロート31の鉛直方向の上限位置を規制するための規制部である。37は、移動台2に固定されたインクカートリッジ22から記録ヘッド1にインクを供給するためのインク供給管、36及び38は、インクカート

4

リッジ22と記録ヘッド1との間のインク供給管37接続部にそれぞれ配設されたインク洩れ防止用のシールゴムである。また、図8における43は、インク中に発生した気泡を示す。

【0010】以上のような構成装置において記録を行うとき、図6においてキャップ18によりその吐出ノズル1aを保護されていた記録ヘッド1は、キャップ18から離れ、モータ4からの動力をプーリ5及び従動プーリ6に巻掛けられたベルト7により伝えられ、移動台2と共に記録媒体9方向へと走査し、記録媒体9の近傍を所定の中の差移動したのちキャップ18の方向へと反転する。

【0011】記録ヘッド1は、往復動作を繰り返し、インクカートリッジ22よりインク供給管37及びインク流路1bを介してインクを供給されつつ、インク滴を所定の位置に吐出し記録を行う。また、記録媒体9は、記録ヘッド1の一走査終了毎に所定の長さを紙送りモータ10とローラ14とにより所定方向へ送られ、これらを繰り返して記録を行うことが可能に構成されている。

【0012】このとき、インクカートリッジ22内部のインクはまず、図7における室24から記録と共に消費され、大気連通口27からインク消費量と同量の大气を吸い込み、連通穴33にあるインク供給部材39内を通り、気泡となって室24内に侵入する。この際、多孔質体から成るインク供給部材39は、インクが消費する際に抵抗を持ち、適度な負圧を発生する。やがて記録の進行とともに室25、26のインクを消費して行くことになる。

【0013】インク残量が所定量以下になったときに、フロート（浮き部材）31は、その規制部32から離れ下降を始め、その下端部がその可動範囲の下死点付近まで来たときに、発光素子21aからの光を遮断し、受光素子21bまで赤外光を到達させないのでインクが所定量以下であることを検知することが可能となる。

【0014】

【発明が解決しようとする課題】しかしながら、前述のインクカートリッジにおいては、次のような問題点があった。これを図8を用いて説明する。記録の進行と共に、室26のインクを消費してゆくことになるが、インク残量が所定量以下になったときに、フロート（浮き部材）31は、その規制部32から離れ下降を始めようとするが、インクの消費速度が相当速いときなどには、室25からの気泡43が層状に蓄積し、層状のまま下降して来るので、消泡する前にフロート31を包み込んでしまうことがあり、フロート31の下端部が下死点付近まで下降するまでにインクが先になくなり、残量検知センサ21により適切に検知できないことがあった。特にインクの成分に界面活性剤が含まれている場合には、この症状は顕著となった。

【0015】本発明は、以上のような問題点を解決する

(4)

5

ためになされたもので、インクの消費速度がある程度速い場合にも、発生した気泡が層状に蓄積することなく、適切にインク残量を検知し得る手段の提供を目的としている。

【0016】

【課題を解決するための手段】このため、本発明においては、この種のインクカートリッジを、記録ヘッドよりインク滴を吐出し、記録媒体上に記録を行うインクジェット記録装置に用いるインクカートリッジの内部を複数室に分割する各仕切り板と、これら各仕切り板に設けた負圧発生手段を有する隣室との連通部とを備えたインクカートリッジであって、前記記録ヘッドへのインク供給口を有する前記室の中にあり、鉛直方向に延び、この室の鉛直方向上端面付近に連通穴を有する中間壁を備えるよう構成し、あるいはまた、記録ヘッドよりインク滴を吐出し、記録媒体上に記録を行うインクジェット記録装置に用いるインクカートリッジの内部を複数室に分割する各仕切り板と、これら各仕切り板の一端に明けられた隣室との連通穴と、これら各連通穴を通り前記各室に連続した液体供給部材により負圧発生手段と、前記インクより比重が軽く発光素子及び受光素子から成るインク残量検知手段の光を遮断可能な浮き部材とを備えたインクカートリッジであって、前記記録ヘッドと連通する前記室と隣接する室との仕切り板にある前記連通穴において発生する負圧値は、その他の仕切り板にある前記連通穴において発生する負圧値より小となるよう、例えば、
①前記記録ヘッドと連通する前記室と隣接する室との仕切り板にある前記連通穴断面積は、その他の仕切り板にある前記連通穴断面積より大なるよう構成し、あるいはまた、
②前記記録ヘッドと連通する前記室と隣接する室との仕切り板にある前記連通穴が前記液体供給部材をその本来の厚みに対し圧縮する比率は、その他仕切り板にある前記連通穴が前記液体供給部材をその本来の厚みに対し圧縮する比率より小なるよう構成することにより、前記目的を達成しようとするものである。

【0017】

【作用】以上のような本発明構成のいずれかにより、インクの消費速度が相当速い時などにも、発生した気泡が層状に蓄積することがなくなるので、常にインク残量を適切に検知することができる。

【0018】

【実施例】以下に本発明を複数の実施例に基づいて説明する：

(実施例1) 図1は、本発明に係るインクジェット記録装置の第1の実施例1を示す模式図、図2は、その要部の詳細を示す模式図を示す。前述した図6、7における、同一(相当)構成要素は同一符号で示し、一部重複説明を行う。

【0019】図1において、1は、インクを吐出し記録

6

を行うための記録ヘッド、2は、記録ヘッド1を支持移動するための移動台、2aは、移動台2の一端に設けたコロ、3は、移動台2を支持案内するためのガイドレールである。4は、移動台2を駆動するためのモータ、5は、モータ4に直結したプーリ、6は、プーリ5に対向した従動プーリ、7は、モータ4の動力を移動台2に伝えるためプーリ5と従動プーリ6とに巻掛けられたベルト、9は、紙等から成る記録媒体、10は、記録媒体9を移動するための紙送りモータ、11は、紙送りモータ10に直結した小プーリ、12は、小プーリ11に対向した大プーリ、13は、小プーリ11の駆動力を大プーリ12に伝達するためのベルトである。

【0020】14及び16は、それぞれ記録媒体9を送るための各ローラ、15及び17は、不図示の付勢手段で記録媒体9を各ローラ14、16に押し付けるための各押圧ローラである。8aは、記録媒体9を吸着力発生手段(不図示)から付与された吸着力により支持搬送するための吸着搬送ベルトであり、ローラ14及び16に巻掛けられている。

【0021】18は、記録ヘッド1が待機中等に記録ヘッド1の吐出ノズルを乾燥などから保護するためのキャップ、19は、キャップ18と記録ヘッド1との気密性を保持するためのシールゴム、20は、吸引手段(不図示)とキャップ18内部とを連結するためのチューブであり、必要に際し、キャップ18内部減圧し記録ヘッド1内部のインクを吸収することも可能である。

【0022】21は、記録装置本体側に固定されており、インクカートリッジ22のインク残量検知が可能な位置に設置されている残量検知センサである。また、22は、記録ヘッド1が記録に用いるインクを貯蔵する交換式のインクカートリッジであり、22aは、インクカートリッジ22交換の際に操作するための取手である。

【0023】図2及び図3は、図1における移動台2の内部にある記録ヘッド1、インクカートリッジ22及びその周辺並びに記録装置本体側に固定されているインク残量検知センサ21を詳しく表わした要部模式図であり、図3は、図2における気泡の発生状態を示す図である。1aは、インクを吐出するための微細な吐出ノズルを複数設けたノズル列、1bは、記録ヘッド1内のインク流路である。インク残量検知センサ21における21aは、赤外光を発する発光素子、21bは、発光素子21aからの光を受光可能な受光素子である。

【0024】23、24、25、26は、それぞれインクカートリッジ22内部を分割した各室である。28、29、30はその各仕切りであり、その下端は、それぞれ等しい断面積の連通穴33、34、35、が明けられており、連続した多孔室体から成るインク供給部材39が通り、同様の圧縮率で圧縮されている。27は、室23に設けられた大気連通口である。

【0025】31は、インクより比重の軽い合成樹脂が

A07669

(5)

7

リプロピレンあるいはポリエチレンなどの黒色に着色した材質から成るフロート（浮き部材）であり、その下端部はその可動範囲の下死点付近で発光素子 21 a からの光を遮断することが可能である。32 は、フロート 31 の鉛直方向の上限を規制する規制部である。

【0026】37 は、移動台 2 に固定されインクカートリッジ 22 から記録ヘッド 1 にインクを供給するためのインク供給管、36 及び 38 は、インクカートリッジ 22 と記録ヘッド 1 との間のインク供給管 37 は接続部にそれぞれ配設されたインク洩れ防止用のシールゴムである。

【0027】40 は、記録ヘッド 1 へのインク供給口を有する室 26 の中にあり、鉛直方向に延び、室 26 の鉛直方向上端面付近に連通穴 41 を有する本実施例の特徴とする中間壁である。図 3 における 43 は、インク中に発生した気泡を示す。

【0028】以上のような構成の本実施例装置において記録を行うとき、キャップ 18 によりその吐出ノズル 1 a を保護されていた記録ヘッド 1 は、キャップ 18 から離れ、モータ 4 からの動力をプーリ 5 及び従動プーリ 6 に巻き掛けられたベルト 7 により伝えられ、移動台 2 と共に記録媒体 9 方向へと走査し、記録媒体 9 の近傍を所定の長さ移動したのちキャップ 18 の方向へと反転する。

【0029】記録ヘッド 1 は、往復動作を繰り返し、インクカートリッジ 22 よりインク供給管 37 及びインク流路 1 b を介してインクを供給されつつ、インク滴を所定の位置に吐出し記録を行う。また、記録媒体 9 は、記録ヘッド 1 の一走査終了毎に所定の長さを紙送りモータ 10 とローラ 14 とにより所定方向へ送られ、これらを繰り返して記録を行うことが可能に構成されている。

【0030】このとき、インクカートリッジ 22 内部のインクはまず、図 2 における室 24 から記録と共に消費し、大気連通口 27 からインク消費量と同量の空気を吸い込み、連通穴 33 にあるインク供給部材 39 内を通り、気泡となって室 24 内に侵入する。この際、多孔室体から成るインク供給部材 39、インクが消費する際に抵抗を持ち、適度な負圧を発生する。やがて記録の進行とともに、室 25、26 のインクを消費して行くことになる。

【0031】インク残量が所定量以下になったときにフロート（浮き部材）31 はその規制部 32 からは離れて下降を始め、その下端部がその可動範囲の下死点付近まで来たときに、発光素子 21 a からの光を遮断し、受光素子 21 b まで赤外光を到達させないのでインクが所定量以下であることを検知することが可能となる。

【0032】このとき、発生した気泡 43 は、図 3 に示すように、中間壁 40 に沿って上昇し、連通穴 41 を通過し、再び中間壁 40 に沿って下降して行く。このことにより、気泡 42 が空気に曝される時間が長くなり、ま

8

た、面積も広くなり、気泡 43 は破裂し消滅して行くので、インクの消費速度が相当速い時などにも、気泡 43 が層状に蓄積することなく、従って前記従来例図 8 におけるように、消泡する前にフロートを包み込んでしまうことがないので、インク残量を適切に検知できるものである。

【0033】（実施例 2）図 4 は、第 2 の実施例 2 の要部を示す模式図である。23、24、25、26 は、前記実施例 1 と同様に、それぞれインクカートリッジ 22 内部を分割した各室である。28、29、30 はその各仕切りであり、その下端は連通穴 33、34、35 a が明けられており、連続した多孔質体から成るインク供給部材 39 が通っている本実施例 2 の特徴として、連通穴 33、34 は同一の断面積であり、記録ヘッド 1 寄りの連通穴 35 a はそれより大きな断面積を有している。このため、連通穴 33、34 によりインク供給部材 39 が圧縮され本来の厚みに対する圧縮率に対し、連通穴 35 による圧縮率は低く圧縮されている。

【0034】インクカートリッジ 22 内部のインクはまず、室 24 から記録と共に消費し、大気連通口 27 からインク消費量と同量の空気を吸い込み、連通穴 33 にあるインク供給部材 39 内を通り気泡となって室 24 内に侵入する。この際、多孔質体から成るインク供給部材 39 は、インクが消費する際に抵抗を持ち、適度な負圧発生する。

【0035】やがて記録の進行と共に室 25、26 のインクを消費して行き、インク残量が所定量以下になったときにフロート（浮き部材）31 はその規制部 32 から離れて下降を始め、その下端部がその可動範囲の下死点付近まで来たときに、発光素子 21 a からの光を遮断し、受光素子 21 b まで赤外光を到達させないのでインクが所定量以下であることを検知することが可能となる。

【0036】このとき、低い圧縮率で圧縮された連通穴 35 a 部のインク供給部材 39 を通して発生した気泡は、高い圧縮率で圧縮された他の連通穴 33、34 部のインク供給部材 39 が形成する空気を通す穴より大きな断面積を通過できるので、比較的大きなサイズにすることができる。

【0037】このため気泡は、破裂しやすく、速やかに消滅して行くのでインクの消費速度が相当速い時などにも、前記従来例図 8 におけるように気泡が層状に蓄積することなく、従って消泡する前にフロートを包み込んでしまうことがないのでインク残量を適切に検知出来るものである。その他の構成、動作は前記実施例 1 における中間壁 40 部を除き、全く同一なので説明は省略する。

【0038】（実施例 3）図 5 は、第 3 の実施例 3 の要部を示す模式図である。23、24、25、26 は、それぞれインクカートリッジ 22 内部を分割した各室である。28、29、30 はその各仕切りであり、その下端

(6)

9

は各連通穴33, 34, 35が明けられており、連続した他孔室体から成るインク供給部材39が通っている。

【0039】連通穴33, 34, 35は、前記実施例1におけると同様に、同一の断面積を有しており、各連通穴33, 34, 35により、インク供給部材39は、それぞれほぼ同一に圧縮されている。本実施例3の特徴として、仕切り30には連通穴42がその下端の一部に明けられている。

【0040】インクカートリッジ22内部のインクはまず、室24から記録と共に消費し、大気連通口27からインク消費量と同量の大气を吸い込み、連通穴33にあるインク供給部材39内を通り、気泡となって室24内に侵入する。この際、多孔質体から成るインク供給部材39は、インクが消費する際に抵抗を持ち、適度な負圧を発生する。やがて記録の進行と共に、室25, 26のインクを消費して行き、インク残量が所定量以下になったときフロート(浮き部材)31は、その規制部32から離れて下降を始め、その下端部がその可動範囲の下死点付近まで来たときに、発光素子21aからの光を遮断し、受光素子21bまで赤外光を到達させないのでインクが所定量以下であることを検知することが可能となる。

【0041】このとき、仕切り30下端の連通穴42を通して発生した気泡は、多孔質体から成るインク供給部材39中を通過する時に比して大きな断面積を通過できるので、比較的大きなサイズにすることができる。このため気泡は破裂しやすく、速やかに消滅して行くのでインクの消費速度が相当速い時などにも、前記従来例図8におけるように気泡が層状に蓄積することなく、従って消泡する前にフロートを包み込んでしまうことがないので、インク残量を適切に検知できるものである。その他の構成、動作は実施例2における連通穴35a部を除き、全く同一なので説明は省略する。

【0042】(その他の実施例)前記の各実施例においては、全て、インク中に浮力を有するフロート31を備える形式の図例について述べたが、本発明は、これのみに限定されるものでなく、フロートを備えずインク有無による透過光の強弱を利用し、インク残量を検知する形式や、目視により確認する形式など、他の形式に応用しても、不用の気泡を速やかに消す効果は同様に得られるものである。

【0043】

【発明の効果】以上説明したように、本発明によれば、

10

インクカートリッジ記録装置のインクカートリッジに、
1) 記録ヘッドへのインク供給口を有する室の中に鉛直方向に延び、室の鉛直方向上端面付近に連通穴を有する中間壁を設ける、2) もしくは、記録ヘッドと連通する室と隣接する室との仕切り板にある連通穴断面積を、その他の仕切り板に或る連通穴断面積より大きくする、もしくは、3) 記録ヘッドと連通する室と隣接する室との仕切り板にある連通穴が液体供給部材をその本来の厚みに対し圧縮する比率を、その他の仕切り板にある連通穴が液体供給部材をその本来の厚みに対し圧縮する比率より小さくするよう構成したため、インクの消費速度が相当速い時などにも、発生した気泡が層状に蓄積することなく、従って消泡する前にフロートを包み込んでしまうことがないので、常にインク残量を適切に検知することが可能となった。

【図面の簡単な説明】

【図1】 実施例1のインクジェット記録装置の模式図。

【図2】 図1の要部の模式図。

【図3】 図2における気泡の様子を示す模式図。

【図4】 実施例2の要部模式図。

【図5】 実施例3の要部模式図。

【図6】 インクジェット記録装置の一例の模式図。

【図7】 図6の要部模式図。

【図8】 図7における気泡の様子を示す模式図。

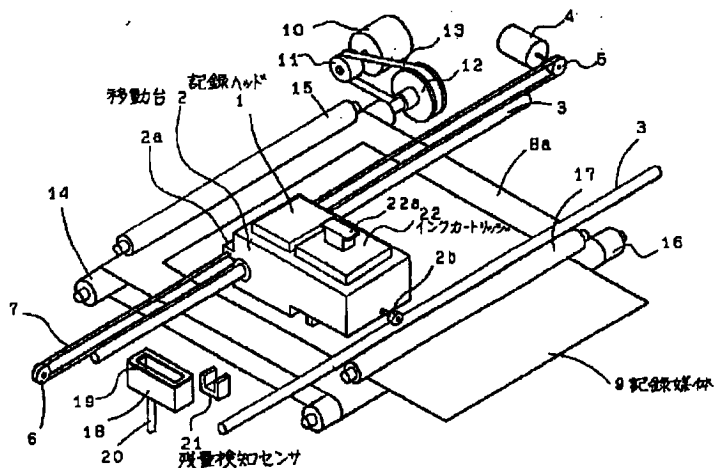
【符号の説明】

- 1 記録ヘッド
- 1a 吐出ノズル列
- 2 移動台
- 9 記録媒体
- 18 キャップ
- 21 インク残量検知センサ
- 21a 発光素子
- 21b 受光素子
- 22 インクカートリッジ
- 23, 24, 25, 26 室
- 28, 29, 30 仕切り
- 31 フロート(浮き部材)
- 33, 34, 35, 35a 連通穴
- 39 インク供給部材
- 40 中間壁
- 41 連通穴

(7)

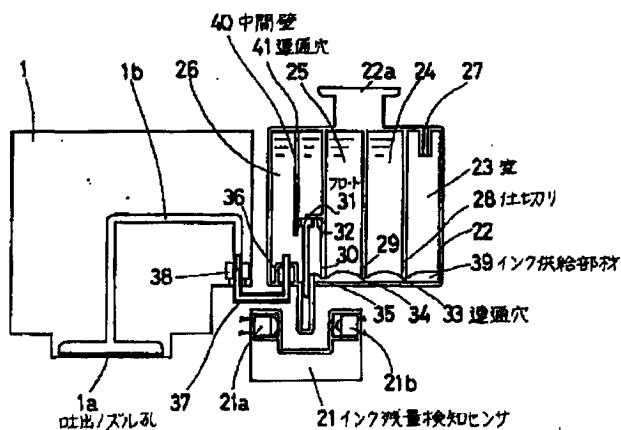
【図1】

実施例1のインクジェット記録装置の模式図



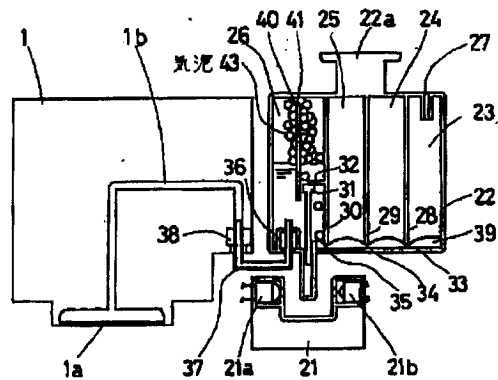
【図2】

図1要部の模式図



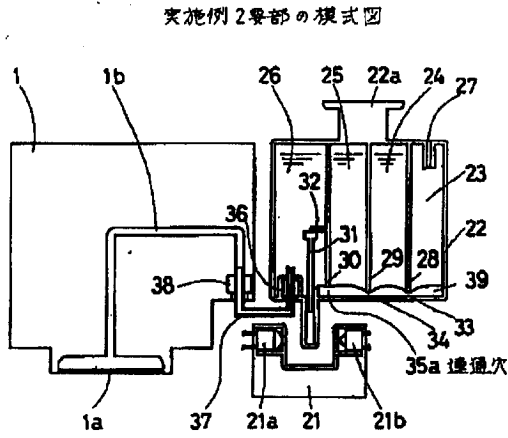
【図3】

図2における気泡の様子を示す模式図

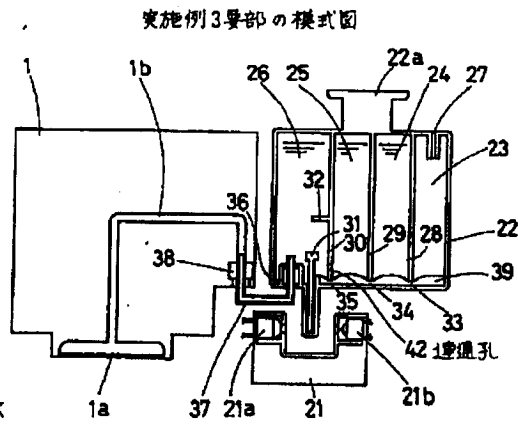


(8)

【図4】

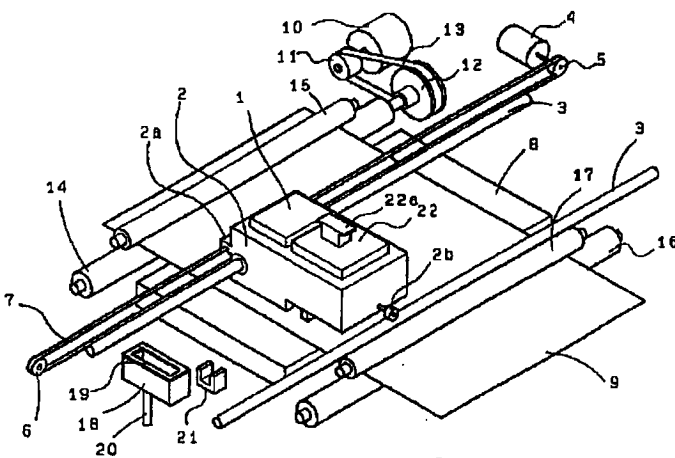


【図5】



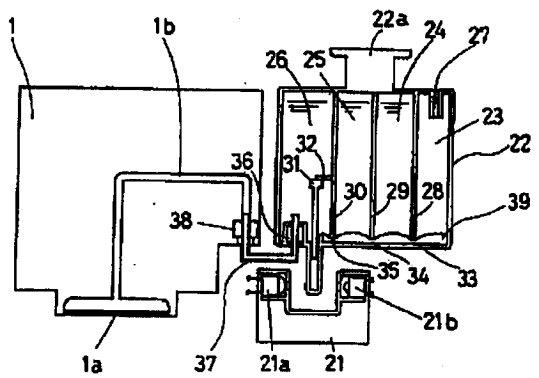
【図6】

インクジェット記録装置の一例の模式図



【図7】

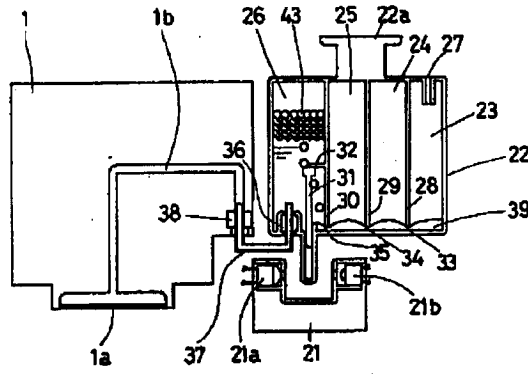
図6要部の模式図



(9)

【図 8】

図7における気泥の様子を示す模式図



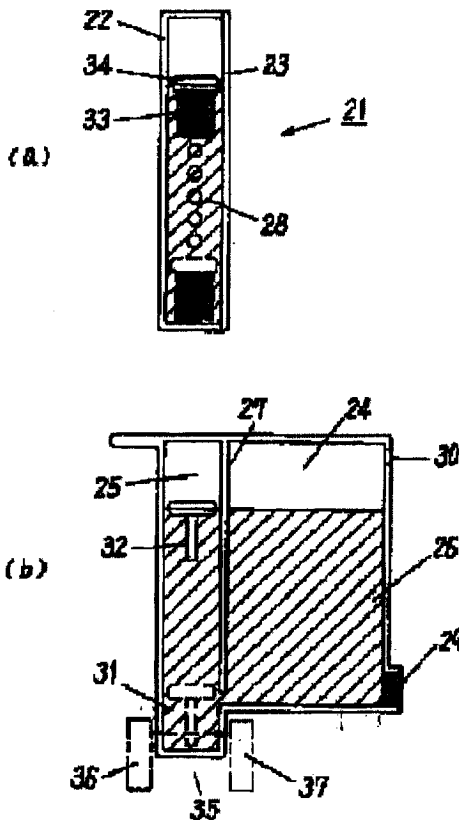
INK JET RECORDER AND RESIDUAL INK DETECTING METHOD

特許公報番号 JP8281966
 公報発行日 1996-10-29
 発明者: KAYAHARA TAMIO
 出願人 MATSUSHITA ELECTRIC IND CO LTD
 分類:
 一国際: B41J2/175; B41J2/175; (IPC1-7): B41J2/175; G01F23/292
 一欧州:
 出願番号 JP19950088104 19950413
 優先権主張番号: JP19950088104 19950413

ここにデータエラーを報告してください

要約 JP8281966

PURPOSE: To provide an ink jet recorder which has excellent reliability and maintainability capable of detecting the lack of ink, and a method for detecting the residual ink. **CONSTITUTION:** The ink jet recorder comprises a recording head 38 having a discharge port for discharging ink, an ink vessel 21 for containing the ink to be supplied to the head, and a carriage mounting the head and the vessel 21 to linearly move. The recorder further comprises a member 32 to be detected with ink and having a shielding member 33 having light shielding properties and a floating member 34 disposed at the upper part of the member 33 in the vessel 22 and freely floated on the ink, a detecting ink reservoir 31 mounted in a protrusion with the transparent lower part of the vessel 21, and an optical detecting member 35 having a light emitting element 36 and a light receiving element 37 for detecting the light from the element 36. The member 32 shields between the element 36 and the element 37.



esp@cenet データベースから供給されたデータ - Worldwide