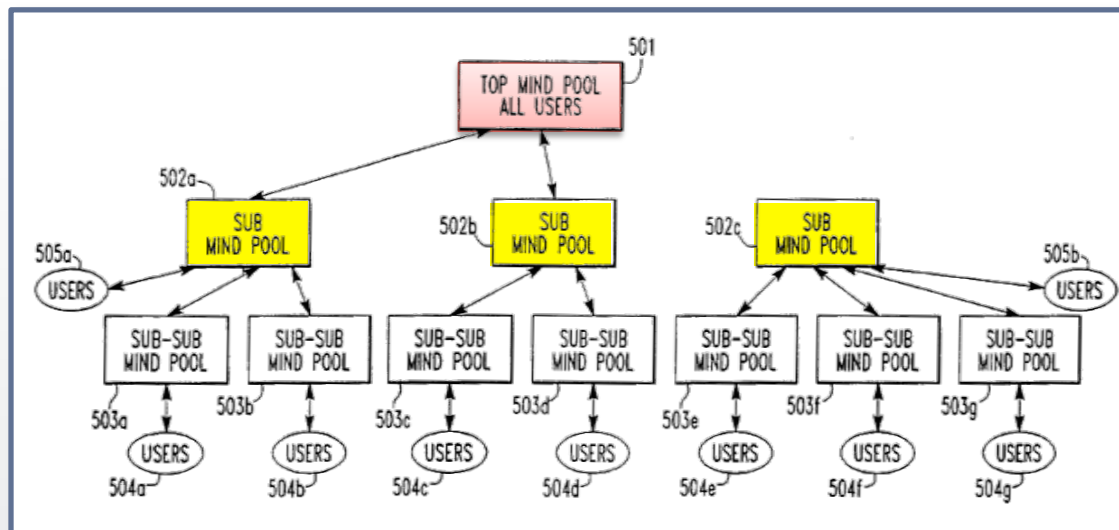


# EXHIBIT F

# Overview of Patents: Collaborative Filtering Groups Users



'420 Patent, Figure 7

FIG. 7 illustrates a preferred embodiment of a mind pool system 500. It is preferred that all users be members of the uppermost portion of the hierarchy, namely, the top mind pool 501. Mind pool 501 can be broken into sub-mindpools 502a-c, which separate users into those having at least some common interests.

'420 Patent at 20:1-6

In general, the objective is to break down the entire population of users into subsets that are optimally similar. For example, the set of users who find the same articles about “gardening” by author A to be interesting but nevertheless found other articles by author A on “gardening” to be uninteresting may be joined in one subset.

'420 Patent at 20:17-23

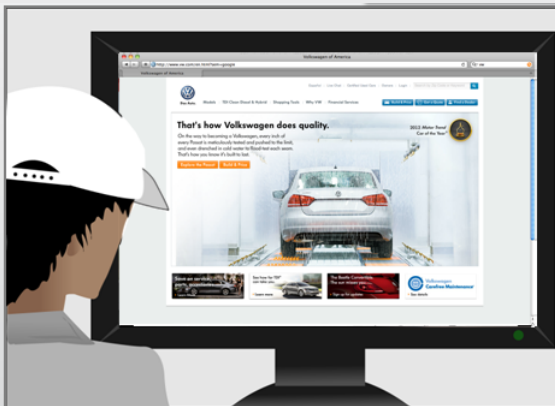
# Overview of Patents: Grouping Users Automatically

The mind pool hierarchies can be created by either computer- or human-guided methods. If the hierarchy creation is human-guided, there often is a natural breakdown of people based on information such as job position, common interests, or any other information that is known about them.

Where the mind pool hierarchy is created automatically, because the previously described measure of the collaborative input relationship between users can be employed in a standard hierarchical clustering algorithm to produce each group of users or nodes in the mind pool hierarchy.

'420 Patent, 21:26-35

This guy has similar interests as:



# Overview of Patents: Grouping Users Manually

The mind pool hierarchies can be created by either computer- or human-guided methods. **If the hierarchy creation is human-guided, there often is a natural breakdown of people based on information such as job position, common interests, or any other information that is known about them.**

Where the mind pool hierarchy is created automatically, because the previously described measure of the collaborative input relationship between users can be employed in a standard hierarchical clustering algorithm to produce each group of users or nodes in the mind pool hierarchy.

'420 Patent, 21:26-35

